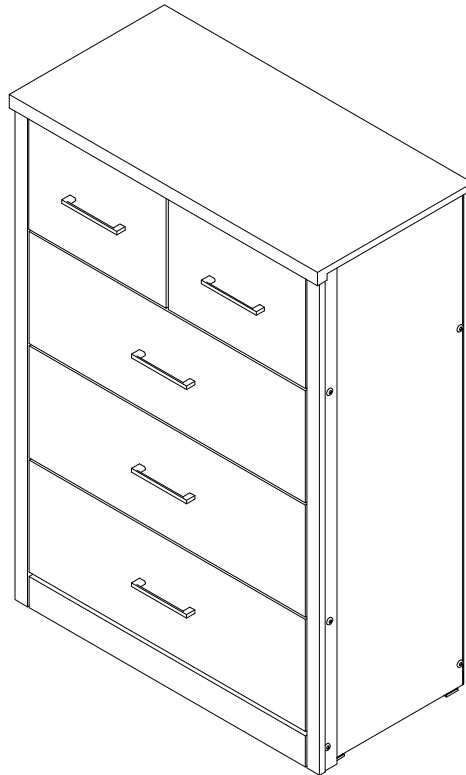
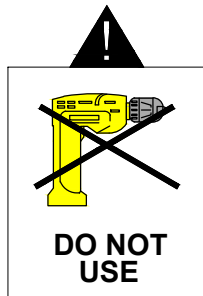


LIGHT OAK EFFECT VENEER LISBON 3+2 DRAWER CHEST ASSEMBLY INSTRUCTIONS



IMPORTANT

PLEASE READ BEFORE YOU CONTINUE FURTHER FOR DOMESTIC USE ONLY

THE PRODUCT YOU HAVE PURCHASED WILL GIVE YOU MANY YEARS OF SERVICE IF YOU FOLLOW THE GUIDELINES FOR ITS SAFE ASSEMBLY AND PERIODIC MAINTENANCE AND CLEANING.

ASSEMBLE ON A SOFT CLEAN SURFACE.

DO NOT USE ANY TOOLS OTHER THAN THOSE SHOWN.

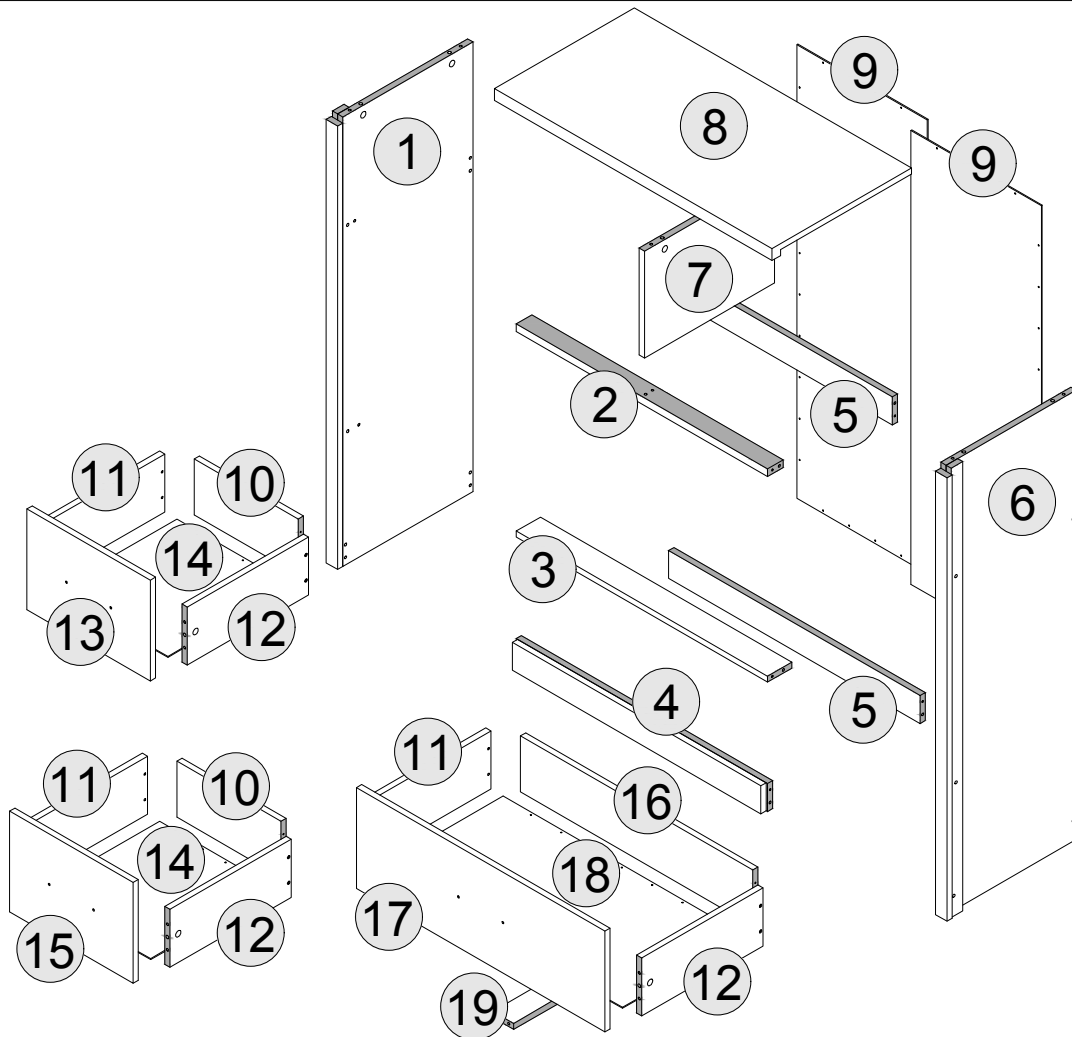
ANY SPANNERS OR ALLEN KEYS REQUIRED ARE INCLUDED WITH THE FITTINGS KIT.

DO NOT FOR ANY REASON USE A POWER TOOL TO ASSEMBLE THIS PRODUCT. ITS USE WILL INVALIDATE ANY CLAIM YOU MAY HAVE AND COULD MAKE THIS PRODUCT UNSAFE.

DEPENDING ON THE AMOUNT OF USE THIS PRODUCT RECEIVES IT MAY BE NECESSARY TO TIGHTEN UP THE FIXINGS FROM TIME TO TIME. THIS IS COMPLETELY NORMAL FOR ANY FLAT PACK FURNITURE. DO NOT OVERTIGHTEN FIXING.

FOR CLEANING, YOU MAY USE A DAMP CLOTH (NOT WET) DO NOT USE POLISH, DETERGENT OR CHEMICAL CLEANERS.


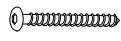
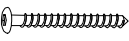
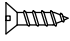
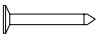
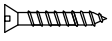



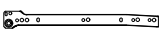

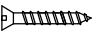

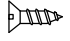

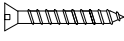



THE SURFACE OF THIS ITEM IS NOT HEAT RESISTANT. ALWAYS USE A PLACE MAT UNDER HOT OR COLD ITEMS TO PREVENT MARKING.

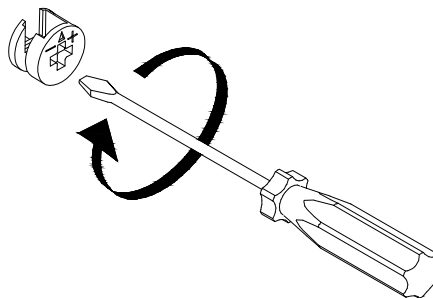


PART LIST

Part Number	Part Code	Part Description	Quantity	Carton
1	S100-102-063-EU2-01	Left Side Panel	1	1/2
2	S100-102-063-EU2-02	Upper Front Crossbar	1	2/2
3	S100-102-063-EU2-03	Centre Front Crossbar	1	2/2
4	S100-102-063-EU2-04	Base Front Apron	1	2/2
5	S100-102-063-EU2-05	Back Crossbar	2	2/2
6	S100-102-063-EU2-06	Right Side Panel	1	1/2
7	S100-102-063-EU2-07	Centre Drawer Divide	1	1/2
8	S100-102-063-EU2-08	Top Panel	1	2/2
9	S100-102-063-EU2-09	Back Panel	2	1/2
10	S100-102-063-EU2-10	Small Drawer Back	2	2/2
11	S100-102-063-EU2-11	Left Side Drawer	5	1/2
12	S100-102-063-EU2-12	Right Side Drawer	5	1/2
13	S100-102-063-EU2-13	Small Left Drawer Front	1	2/2
14	S100-102-063-EU2-14	Small Drawer Base	2	2/2
15	S100-102-063-EU2-15	Small Right Drawer Front	1	2/2
16	S100-102-063-EU2-16	Large Drawer Back	3	2/2
17	S100-102-063-EU2-17	Large Drawer Front	3	2/2
18	S100-102-063-EU2-18	Large Drawer Base	3	2/2
19	S100-102-063-EU2-19	Drawer Bottom Support Rail	3	1/2

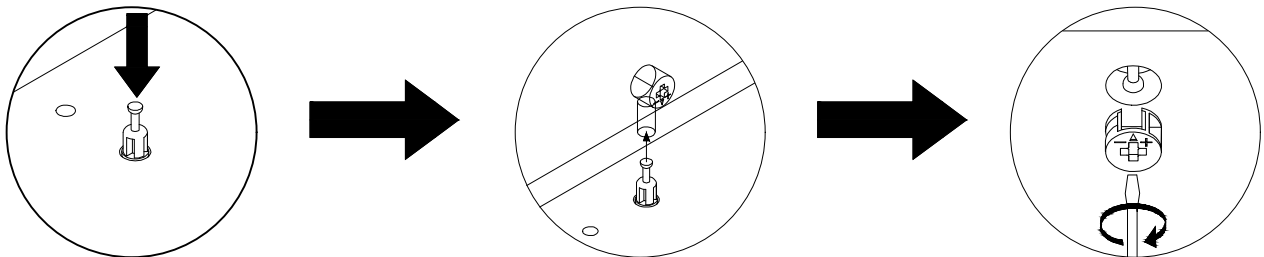
HARDWARE LIST

A		DOWEL 6 X 30MM	43 PCS
B		BOLT M6 X 50MM	4 PCS
C		BOLT M7 X 60MM	6 PCS
D		SCREW M3.5 X 16MM	34 PCS
E		TACK	57 PCS
F		SCREW M4 X 38MM	20 PCS
G		HANDLE	5 PCS
H		CAM BOLT+CAM NUT	16 SETS
I		PLASTIC H STRIP	1 PC
J		DRAWER RUNNER A (L&R)	10 PCS
K		DRAWER RUNNER B (L&R)	10 PCS
L		SCREW 4 X 30MM	6 PCS
M		HANDLE SCREW 19MM	10 PCS
N		SCREW M3.5x12MM	48 PCS
O		PLASTIC FOOT	4 PCS
P		SCREW M4 X 50MM	1 PC
Q		ALLEN KEY	1 PC
R		ANTI - TIP STRAP	2 PCS
R		SCREW M4 X 16MM	2 PCS



(SCREWDRIVER NOT PROVIDED)

USE A FLAT HEAD SCREWDRIVER TO TIGHTEN THE CAM NUTS. A QUARTER TURN CLOCKWISE IS ALL THAT IS NEEDED.



STEP 1 - PUSH CAM BOLT INTO INSERT

STEP 2 - ALIGN THE CAM BOLT WITH THE HOLE AND PUSH TOGETHER UNTIL FLUSH. (MAKE SURE THE ARROW OF THE CAM LOCK IS POINTING TOWARD ON THE EDGE OF THE PANEL.)



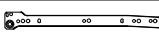
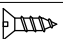
STEP 3 - THE HEAD OF THE BOLT GOES INTO THE WIDE MOUTH OF THE CAM LOCK. YOU THEN TURN THE LOCK SO THE NARROW PART CLOSES OVER THE BOLT.

STEP 1

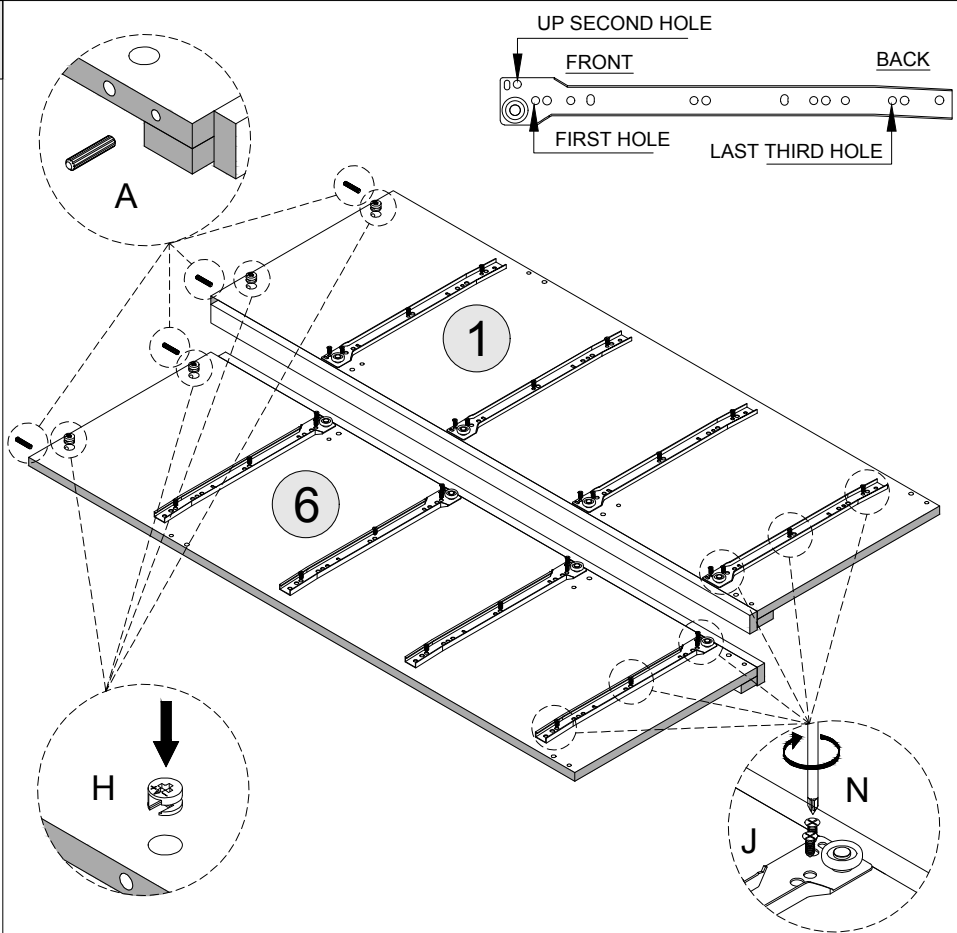
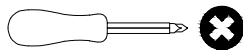
PARTS REQUIRED

1 - LEFT SIDE PANEL	x1
6 - RIGHT SIDE PANEL	x1

HARDWARE REQUIRED

A		04
H		04
J		08
N		32

TOOLS REQUIRED



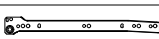
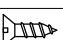


STEP 2

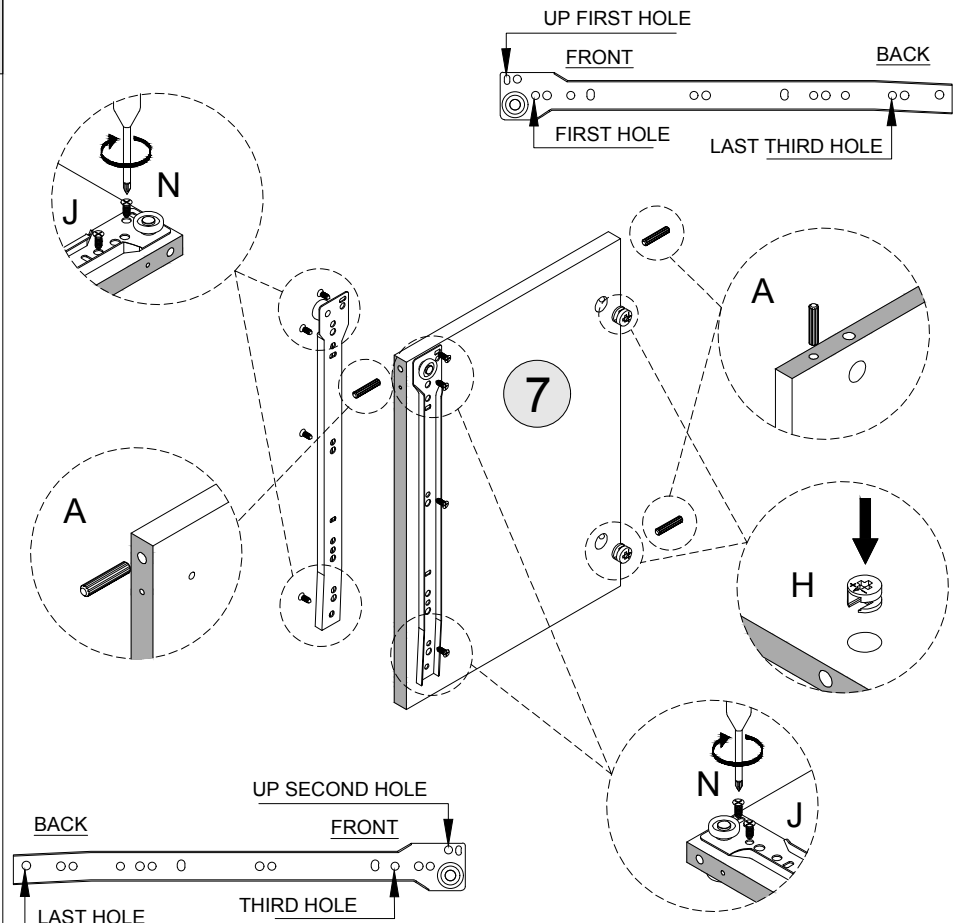
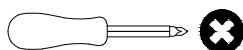
PARTS REQUIRED

7 - CENTRE DRAWER DIVIDE	x1
--------------------------	----

HARDWARE REQUIRED

A		03
H		02
J		02
N		08

TOOLS REQUIRED



STEP 3

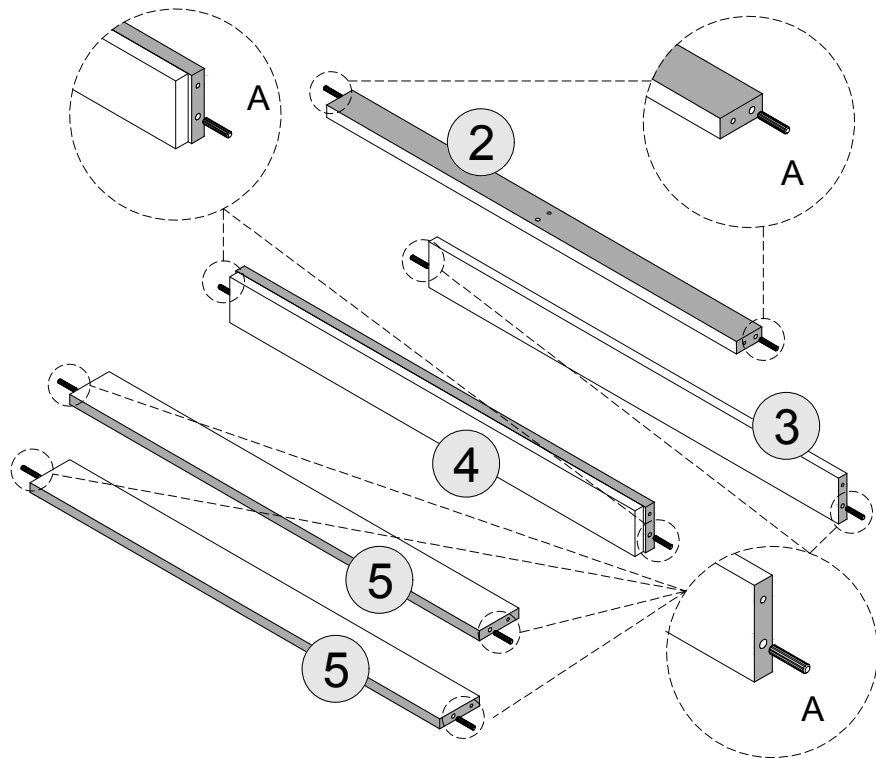
PARTS REQUIRED

- 2 - UPPER FRONT CROSSBAR x1
- 3 - CENTRE FRONT CROSSBAR x1
- 4 - BASE FRONT APRON x1
- 5 - BACK CROSSBAR x2

HARDWARE REQUIRED

- A  10

TOOLS REQUIRED



STEP 4

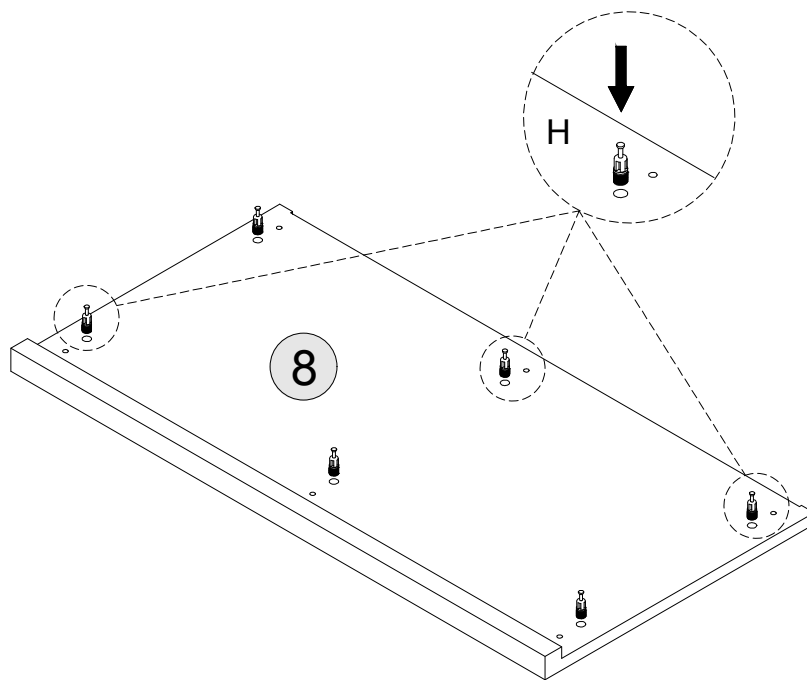
PARTS REQUIRED

- 8 - TOP PANEL x1

HARDWARE REQUIRED

- H  06

TOOLS REQUIRED

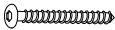
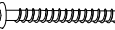


STEP 5

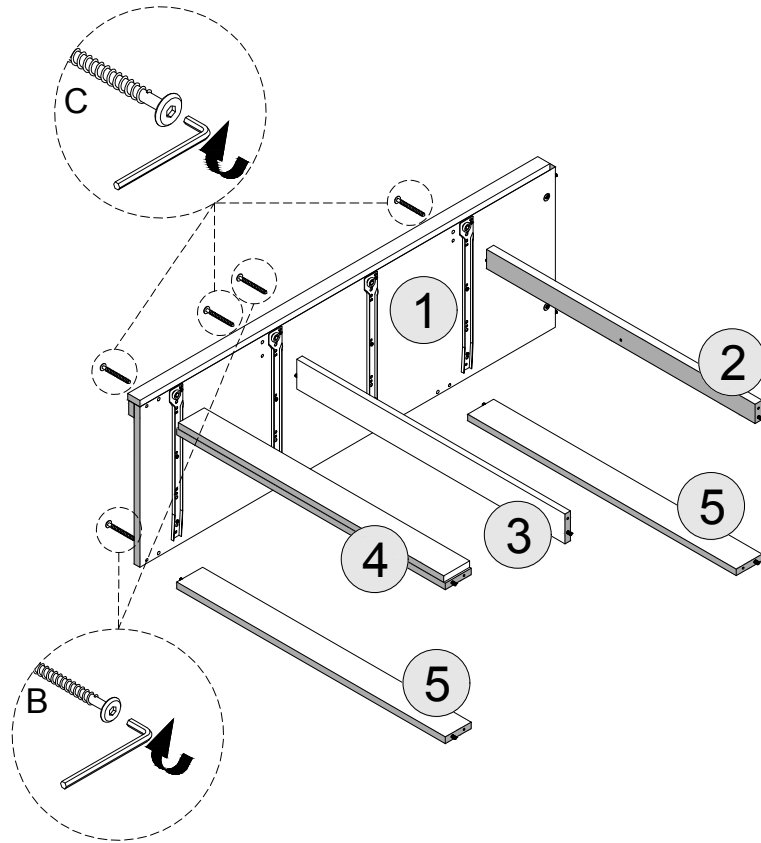
PARTS REQUIRED

1 - LEFT SIDE PANEL	x1
2 - UPPER FRONT CROSSBAR	x1
3 - CENTRE FRONT CROSSBAR	x1
4 - BASE FRONT APRON	x1
5 - BACK CROSSBAR	x2

HARDWARE REQUIRED

B		02
C		03

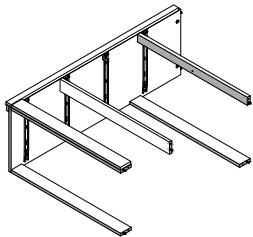
TOOLS REQUIRED



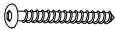
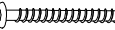
STEP 6

PARTS REQUIRED

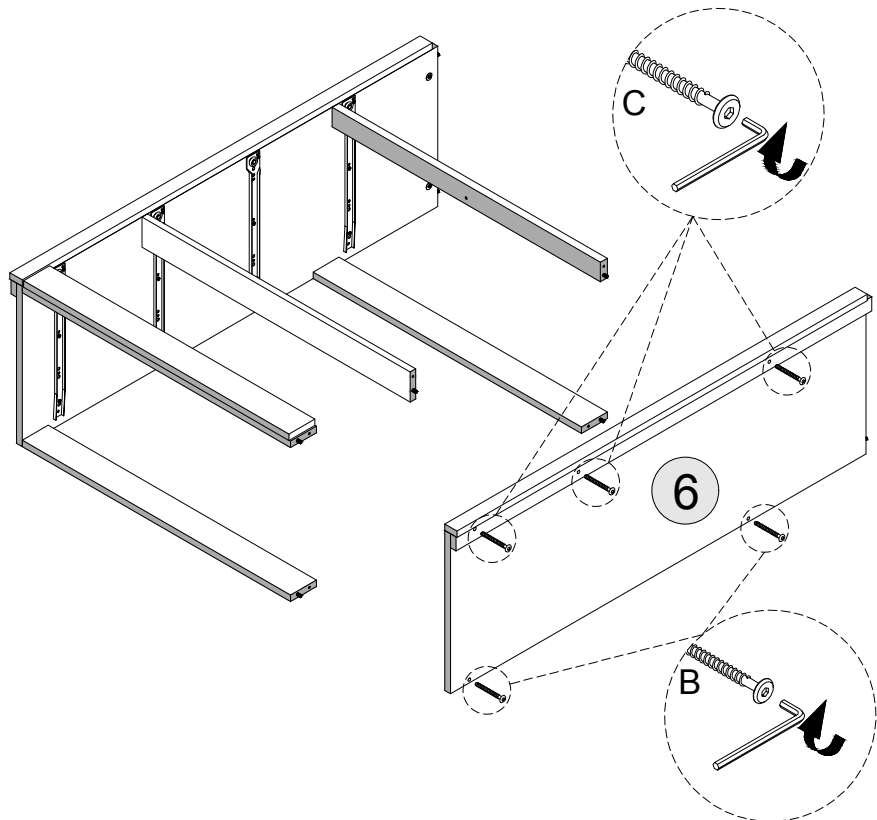
6 - RIGHT SIDE PANEL	x1
----------------------	----



HARDWARE REQUIRED

B		02
C		03

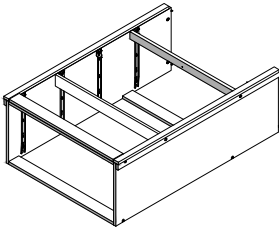
TOOLS REQUIRED



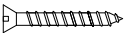
STEP 7

PARTS REQUIRED

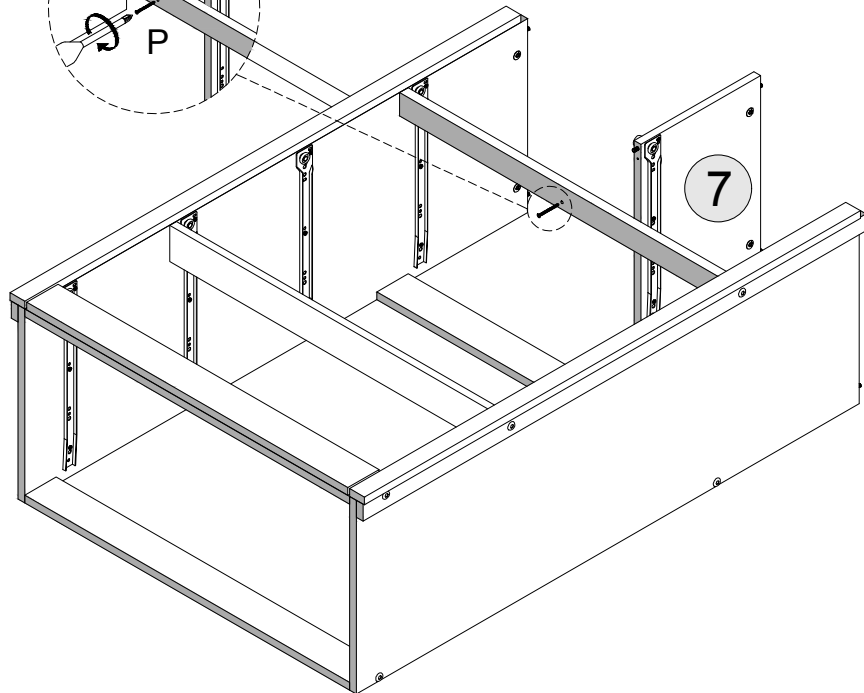
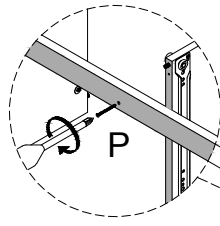
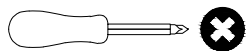
8 - CENTRE DRAWER DIVIDE x1



HARDWARE REQUIRED

P  01

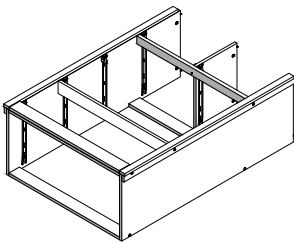
TOOLS REQUIRED



STEP 8

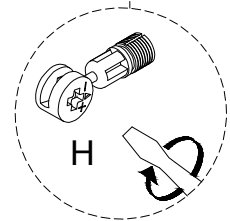
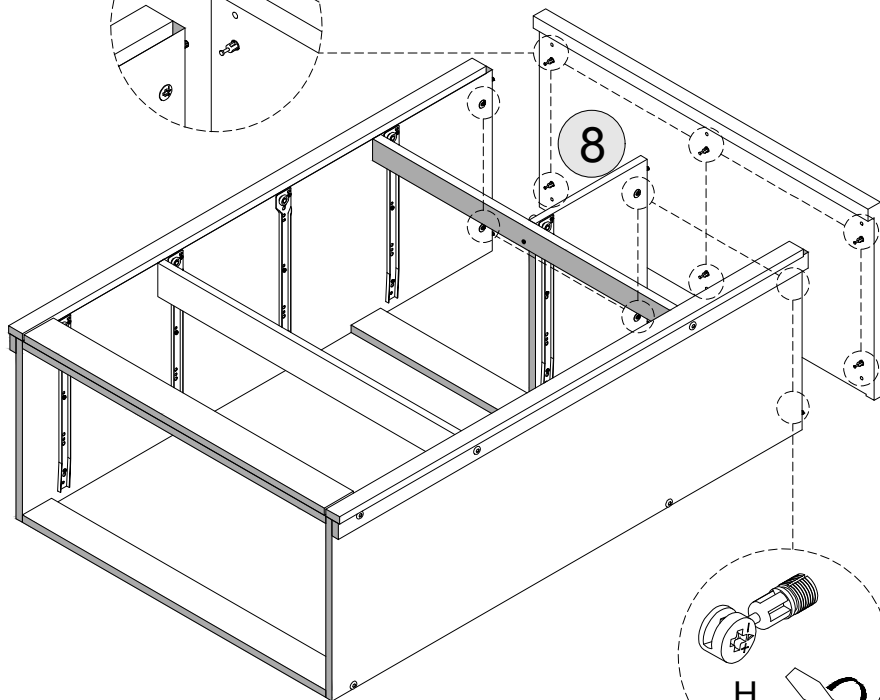
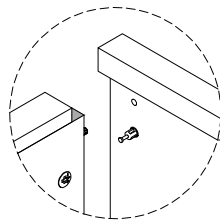
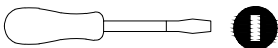
PARTS REQUIRED

8 - TOP PANEL x1



HARDWARE REQUIRED

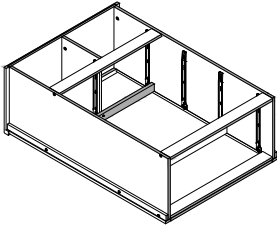
TOOLS REQUIRED



STEP 9

PARTS REQUIRED

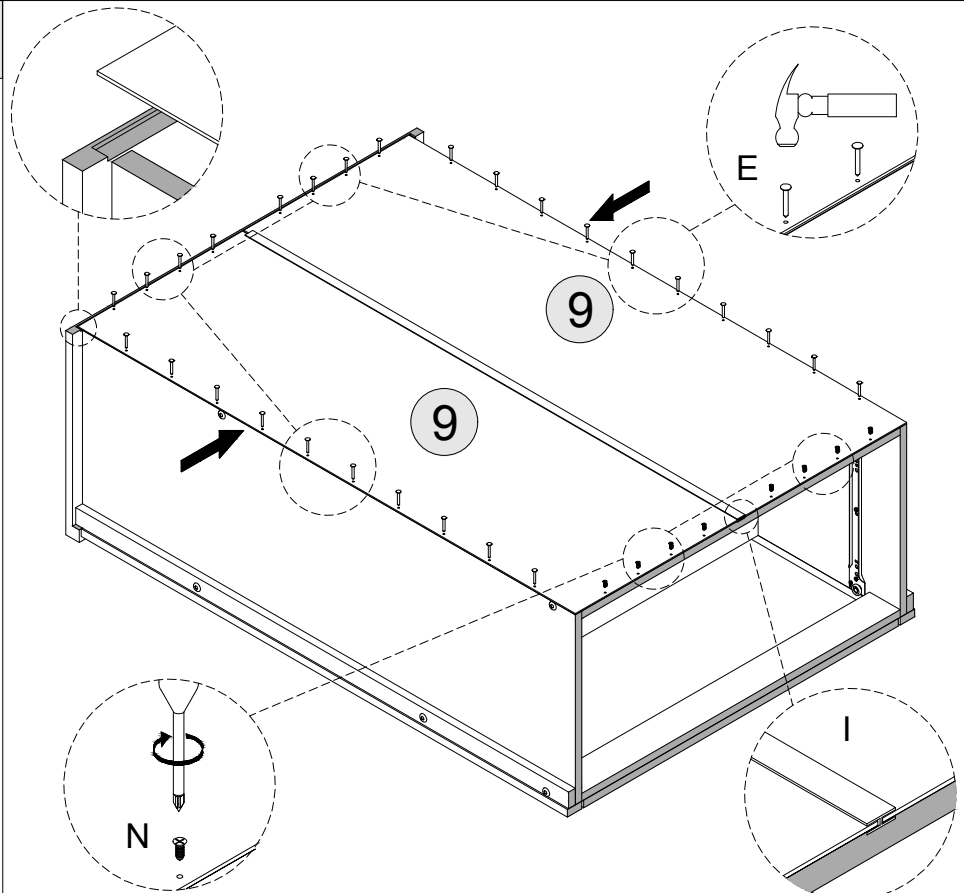
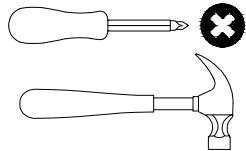
9 - BACK PANEL x2



HARDWARE REQUIRED

E		28
I		01
N		08

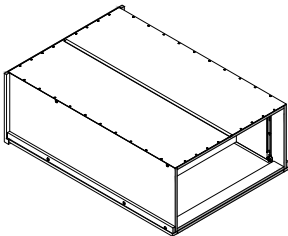
TOOLS REQUIRED



PLEASE INSERT THE BACK PANEL INTO THE UNIT

STEP 10

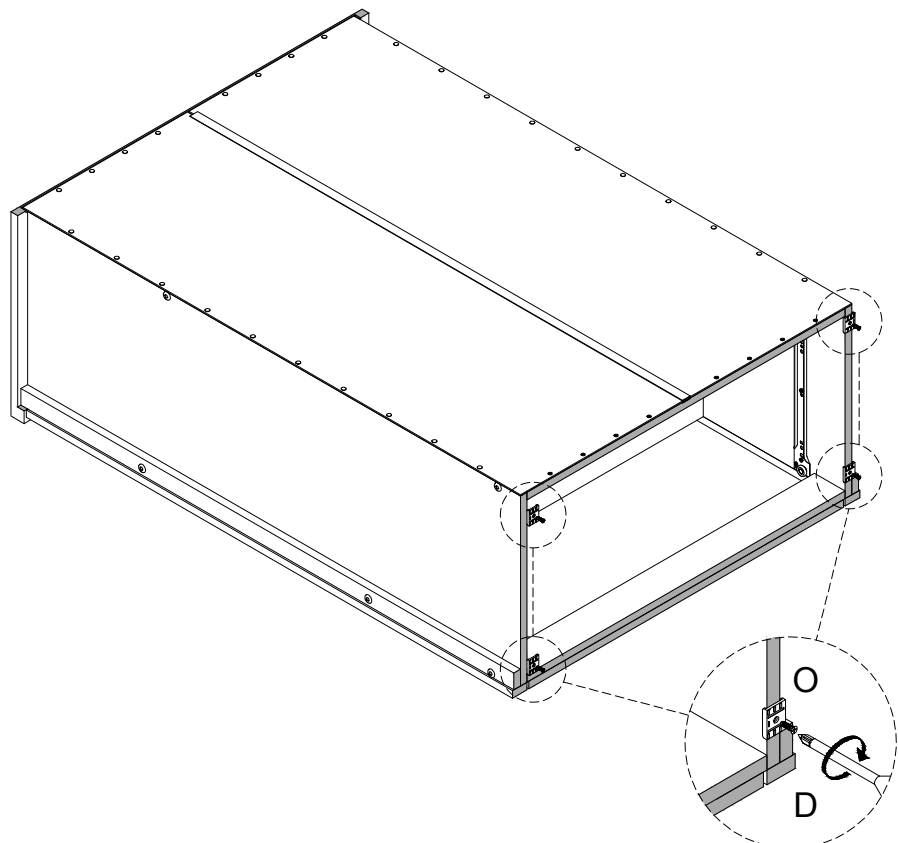
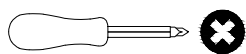
PARTS REQUIRED



HARDWARE REQUIRED

D		04
O		04

TOOLS REQUIRED



STEP 11

PARTS REQUIRED

10 - SMALL DRAWER BACK x2

11 - LEFT SIDE DRAWER x2

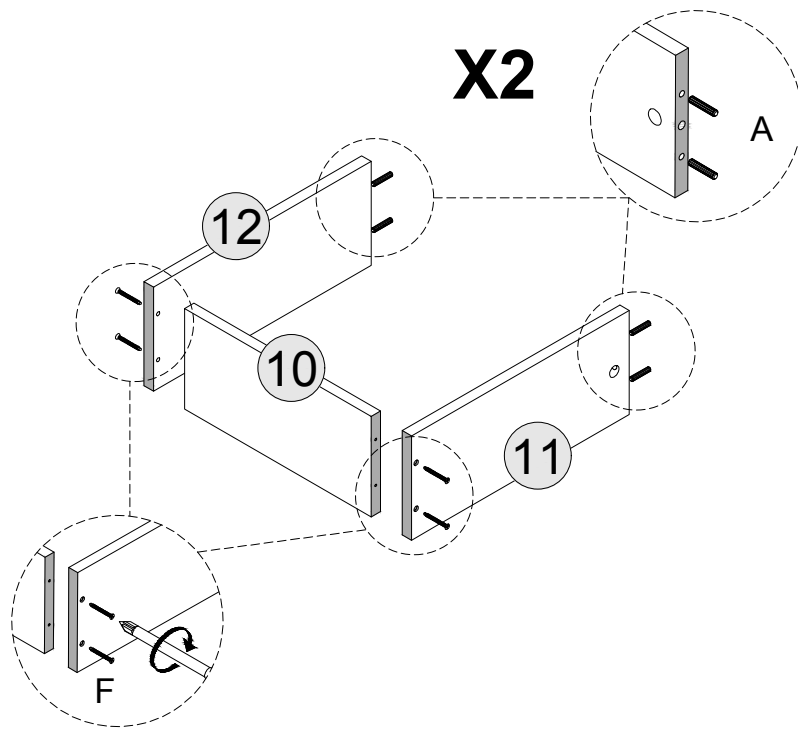
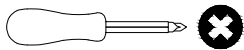
12 - RIGHT SIDE DRAWER x2

HARDWARE REQUIRED

A  08

F  08

TOOLS REQUIRED

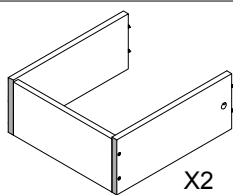


STEP 12

PART REQUIRED

13 - SMALL LEFT DRAWER FRONT x1

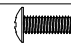
15 - SMALL RIGHT DRAWER FRONT x1



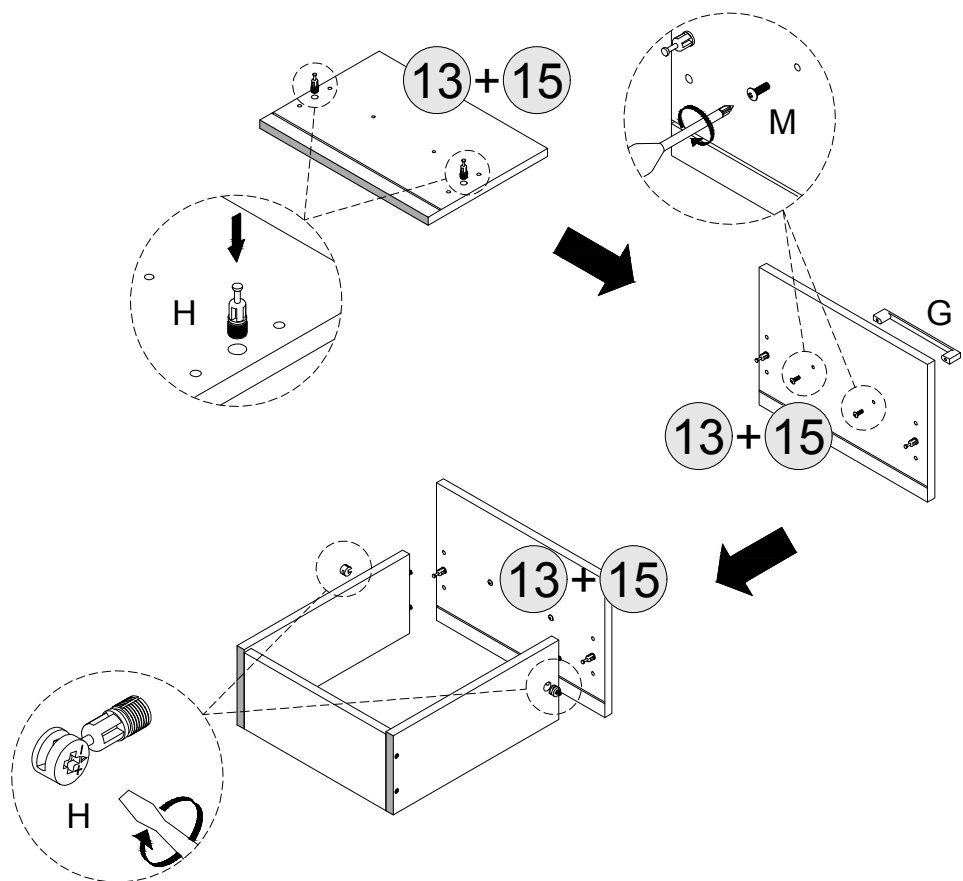
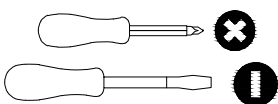
HARDWARE REQUIRED

G  02

H  04

M  04

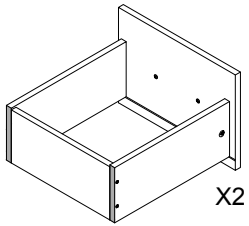
TOOLS REQUIRED



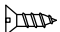
STEP 13

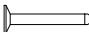
PARTS REQUIRED


14 - SMALL DRAWER BASE x2



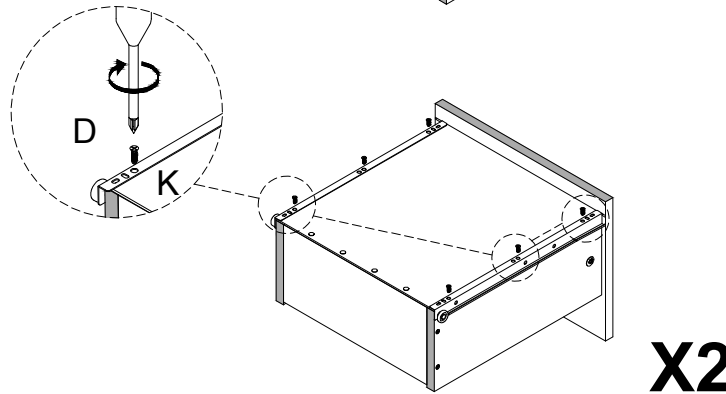
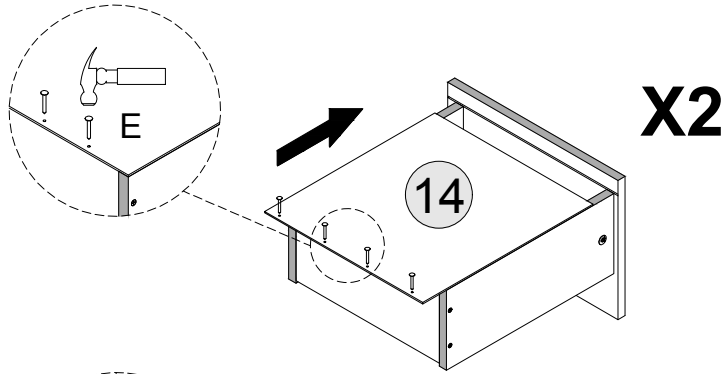
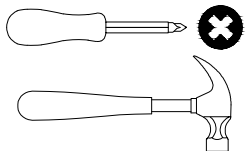
HARDWARE REQUIRED

D  12

E  08

K  04

TOOLS REQUIRED



STEP 14

PARTS REQUIRED

11 - LEFT SIDE DRAWER x3

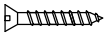
12 - RIGHT SIDE DRAWER x3

16 - LARGE DRAWER BACK x3

17 - LARGE DRAWER FRONT x3

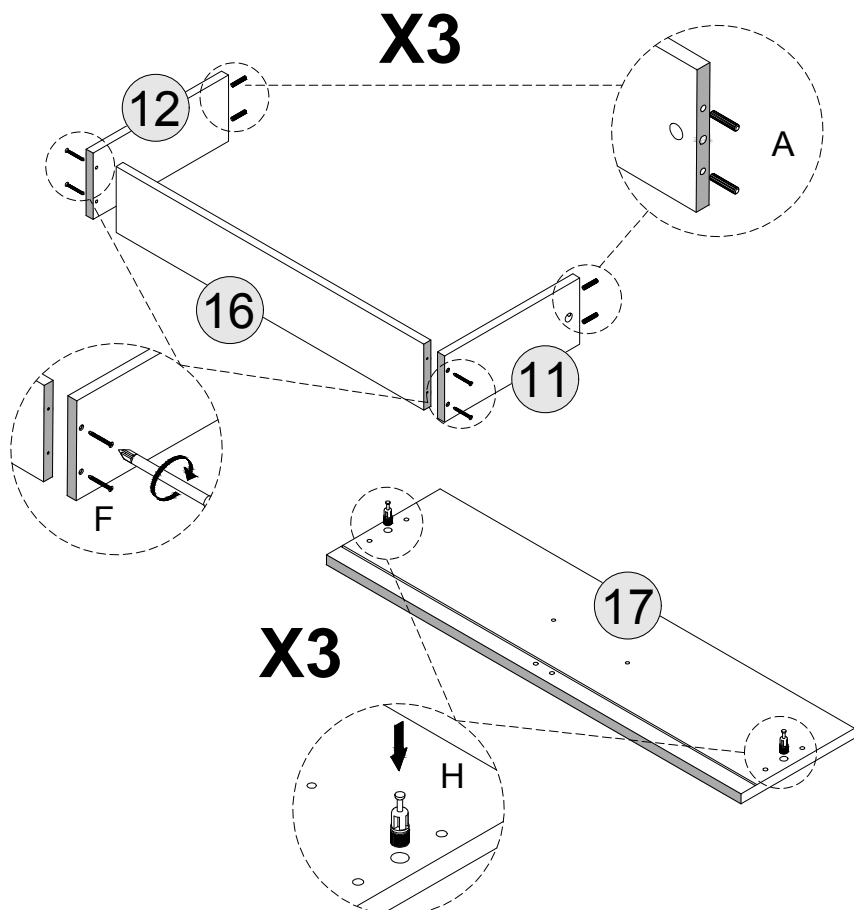
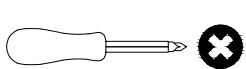
HARDWARE REQUIRED

A  12

F  12

H  06

TOOLS REQUIRED

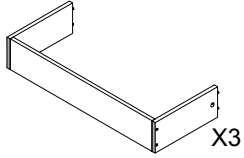


STEP 15

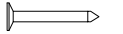
PARTS REQUIRED

17 - LARGE DRAWER FRONT x3

18 - LARGE DRAWER BASE x3




HARDWARE REQUIRED

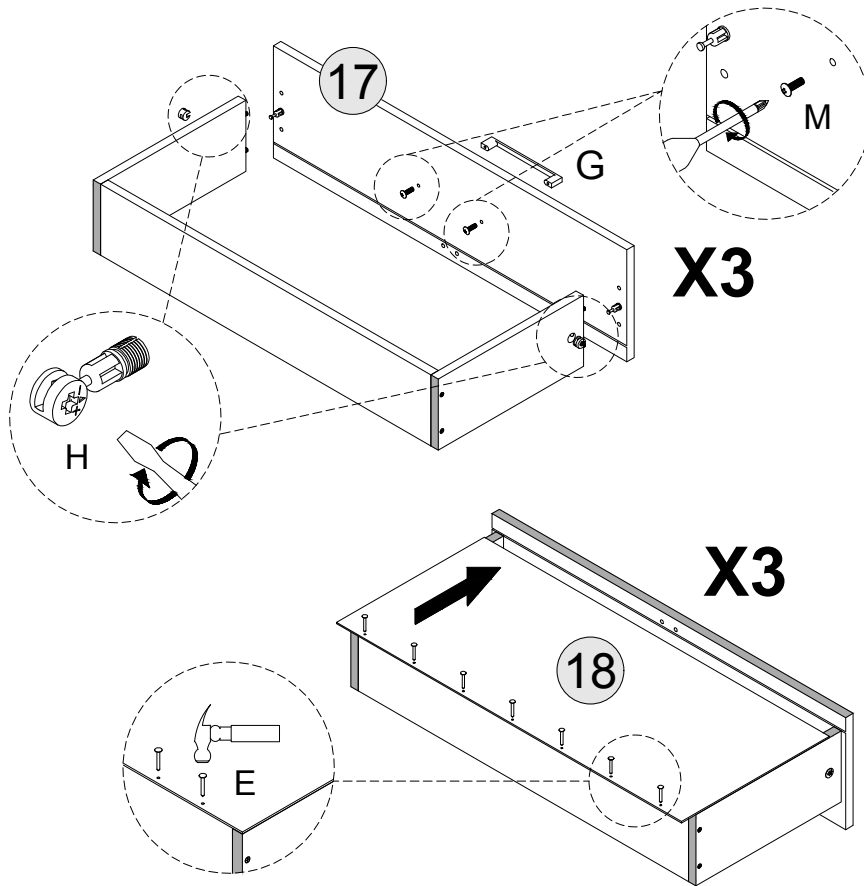
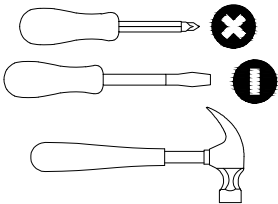
E  21

G  03

H  06

M  06

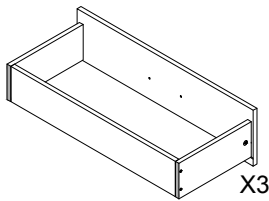
TOOLS REQUIRED



STEP 16


PART REQUIRED


13 - DRAWER BOTTOM SUPPORT RAIL x3

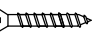


HARDWARE REQUIRED

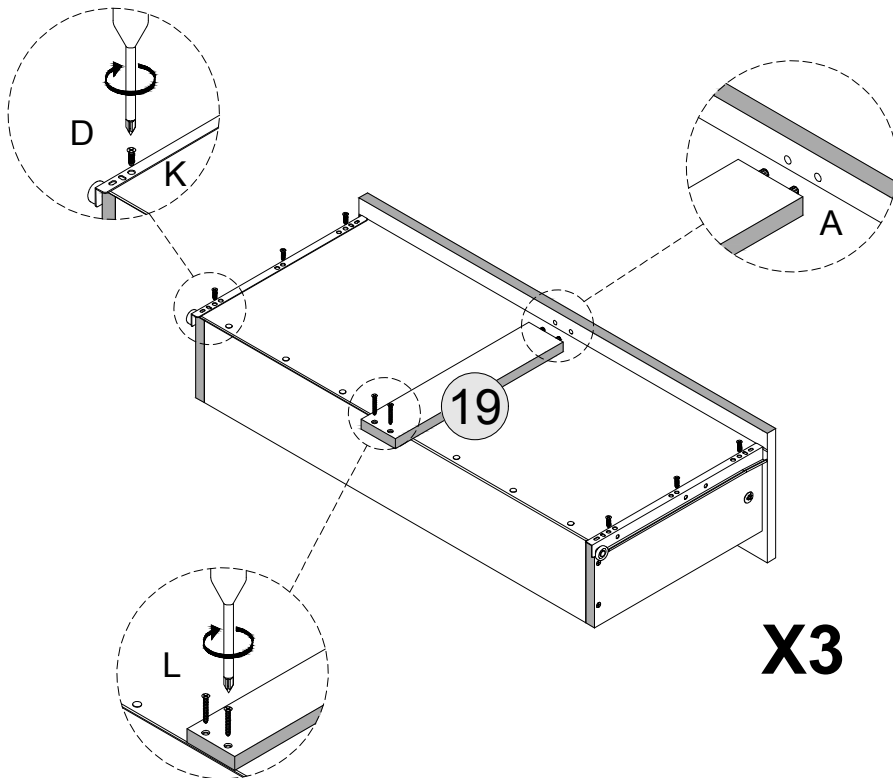
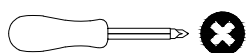
A  06

D  18

K  06

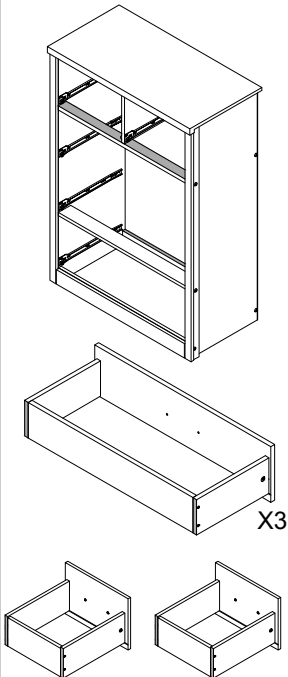
L  06

TOOLS REQUIRED



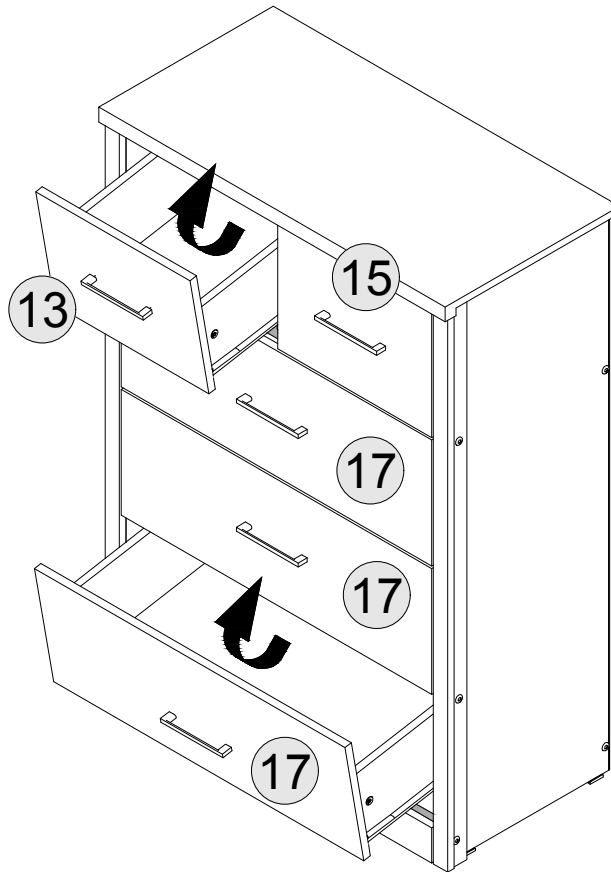
STEP 17

PARTS REQUIRED



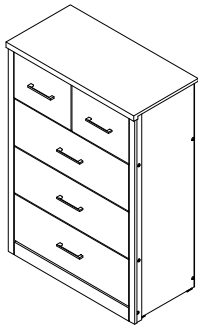
HARDWARE REQUIRED

TOOLS REQUIRED



STEP 18

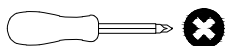
PART REQUIRED



HARDWARE REQUIRED

R		02
S		02

TOOLS REQUIRED



WARNING

Serious or fatal injuries can occur from furniture tipping over. To prevent the furniture from tipping over we recommend that it is permanently fixed to the wall.

Wall fixings are not supplied with this product as different wall materials require different types of fixing devices. Please make sure you use fixings suitable for the walls in your home.

