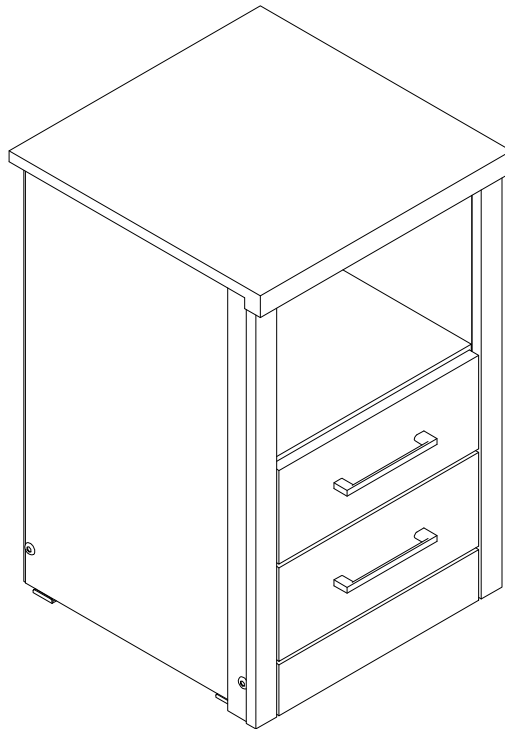
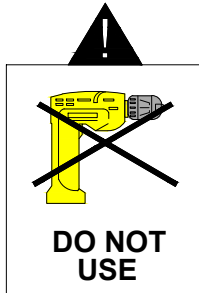


LIGHT OAK EFFECT VENEER LISBON 2 DRAWER BEDSIDE ASSEMBLY INSTRUCTIONS



IMPORTANT FOR DOMESTIC USE ONLY PLEASE READ BEFORE YOU CONTINUE FURTHER

THE PRODUCT YOU HAVE PURCHASED WILL GIVE YOU MANY YEARS OF SERVICE IF YOU FOLLOW THE GUIDELINES FOR ITS SAFE ASSEMBLY AND PERIODIC MAINTENANCE AND CLEANING.

ASSEMBLE ON A SOFT CLEAN SURFACE.

DO NOT USE ANY TOOLS OTHER THAN THOSE SHOWN.

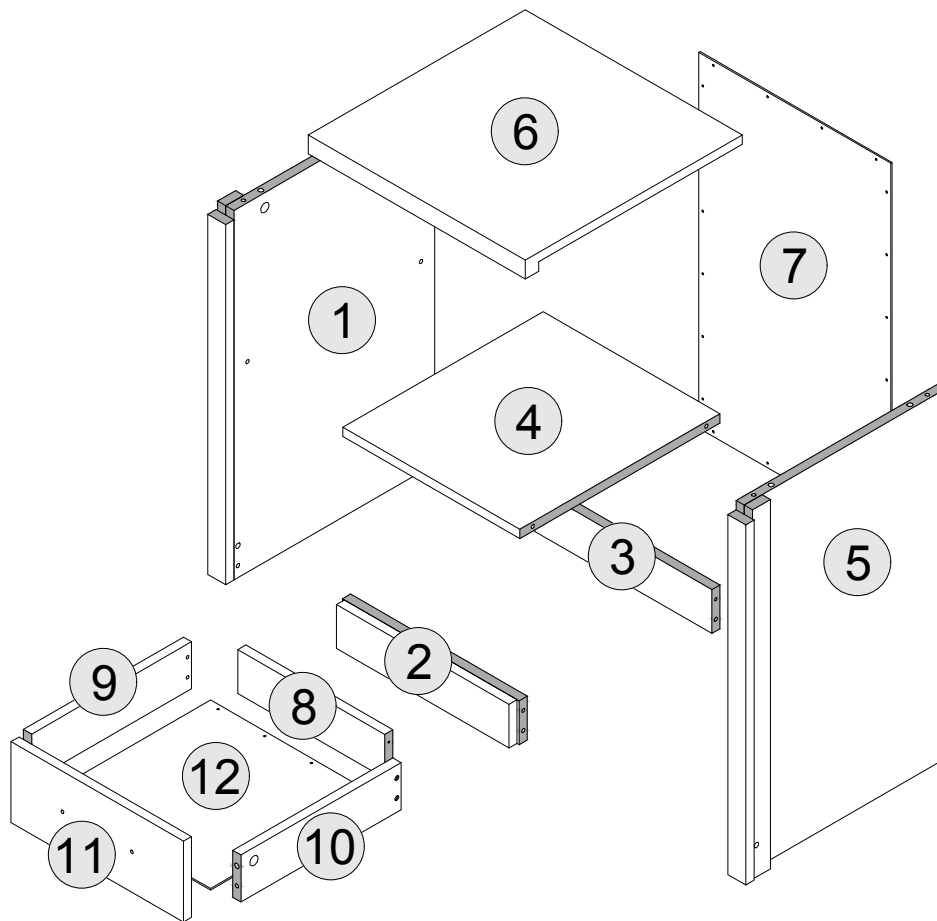
ANY SPANNERS OR ALLEN KEYS REQUIRED ARE INCLUDED WITH THE FITTINGS KIT.

DO NOT FOR ANY REASON USE A POWER TOOL TO ASSEMBLE THIS PRODUCT. ITS USE WILL INVALIDATE ANY CLAIM YOU MAY HAVE AND COULD MAKE THIS PRODUCT UNSAFE.

DEPENDING ON THE AMOUNT OF USE THIS PRODUCT RECEIVES IT MAY BE NECESSARY TO TIGHTEN UP THE FIXINGS FROM TIME TO TIME. THIS IS COMPLETELY NORMAL FOR ANY FLAT PACK FURNITURE. DO NOT OVERTIGHTEN FIXING.

FOR CLEANING, YOU MAY USE A DAMP CLOTH (NOT WET) DO NOT USE POLISH, DÉTERGENT OR CHEMICAL CLEANERS.


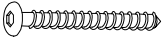
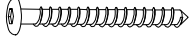
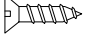
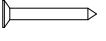
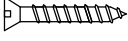


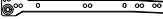







THE SURFACE OF THIS ITEM IS NOT HEAT RESISTANT. ALWAYS USE A PLACE MAT UNDER HOT OR COLD ITEMS TO PREVENT MARKING.

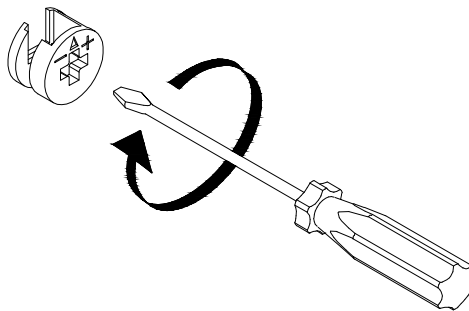


PART LIST

Part Number	Part Code	Part Description	Quantity	Carton
1	S100-103-033-EU1-01	Left Side Panel	1	1/1
2	S100-103-033-EU1-02	Base Front Apron	1	1/1
3	S100-103-033-EU1-03	Back Crossbar	1	1/1
4	S100-103-033-EU1-04	Centre Shelf	1	1/1
5	S100-103-033-EU1-05	Right Side Panel	1	1/1
6	S100-103-033-EU1-06	Top Panel	1	1/1
7	S100-103-033-EU1-07	Back Panel	1	1/1
8	S100-103-033-EU1-08	Drawer Back	2	1/1
9	S100-103-033-EU1-09	Left Side Drawer	2	1/1
10	S100-103-033-EU1-10	Right Side Drawer	2	1/1
11	S100-103-033-EU1-11	Drawer Front	2	1/1
12	S100-103-033-EU1-12	Drawer Base	2	1/1

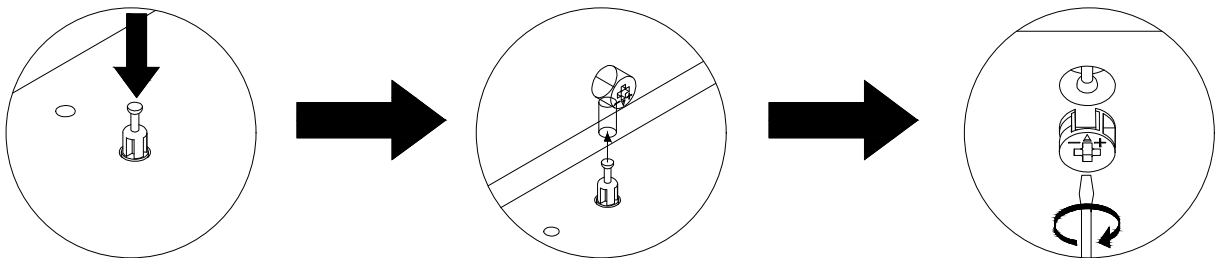
HARDWARE LIST

A		DOWEL 6 X 30MM	16 PCS
B		BOLT M6 X 50MM	2 PCS
C		BOLT M7 X 60MM	2 PCS
D		SCREW M3.5 X 16MM	16 PCS
E		TACK	24 PCS
F		SCREW M4 X 38MM	8 PCS
G		HANDLE	2 PCS
H		CAM BOLT + CAM NUT	8 SETS
I		DRAWER RUNNER A - L/R	4 PCS
J		DRAWER RUNNER B - L/R	4 PCS
K		HANDLE SCREW 19MM	4 PCS
L		SCREW M3.5 X 12MM	20 PCS
M		PLASTIC FOOT	4 PCS
N		ALLEN KEY	1 PC
O		ANTI - TIP STRAP	2 PCS
P		SCREW M4 X 16MM	2 PCS



(SCREWDRIVER NOT PROVIDED)

USE A FLAT HEAD SCREWDRIVER TO TIGHTEN THE CAM NUTS. A QUARTER TURN CLOCKWISE IS ALL THAT IS NEEDED.



STEP 1 - PUSH CAM BOLT INTO INSERT

STEP 2 - ALIGN THE CAM BOLT WITH THE HOLE AND PUSH TOGETHER UNTIL FLUSH. (MAKE SURE THE ARROW OF THE CAM LOCK IS POINTING TOWARD ON THE EDGE OF THE PANEL.)



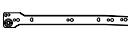
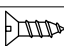
STEP 3 - THE HEAD OF THE BOLT GOES INTO THE WIDE MOUTH OF THE CAM LOCK. YOU THEN TURN THE LOCK SO THE NARROW PART CLOSES OVER THE BOLT.

STEP 1

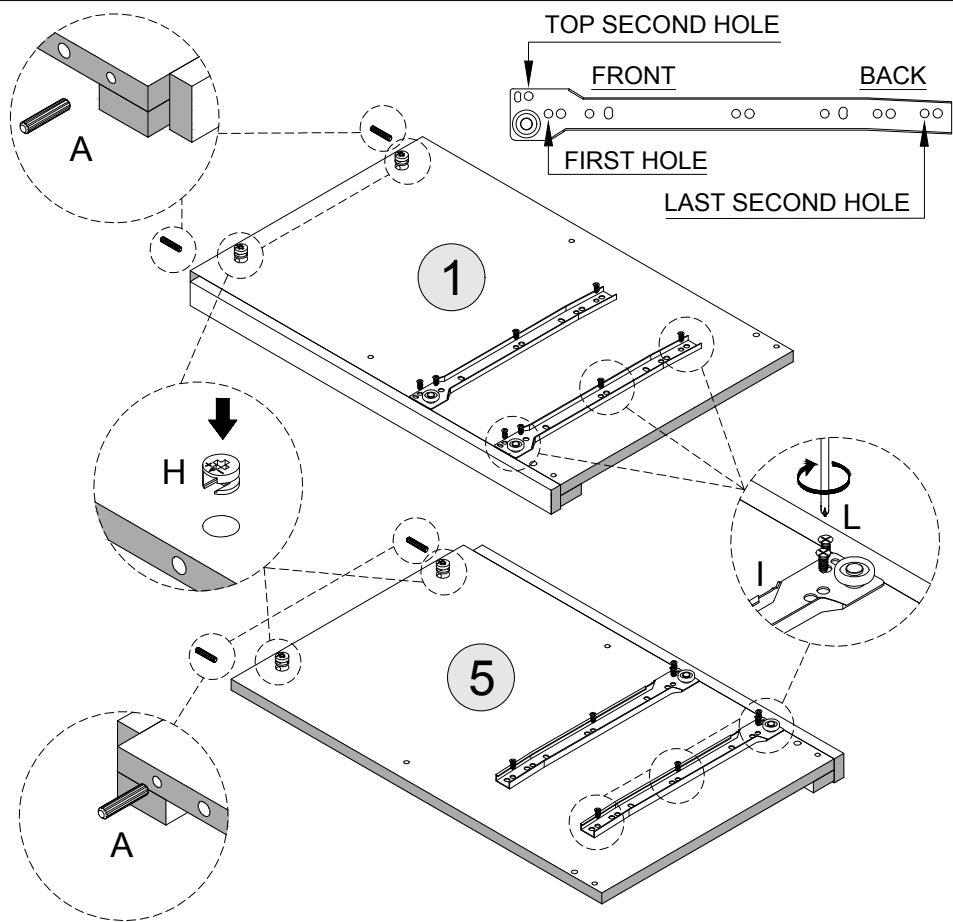
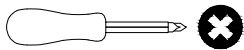
PARTS REQUIRED

1 - LEFT SIDE PANEL	x1
5 - RIGHT SIDE PANEL	x1

HARDWARE REQUIRED

A		04
H		04
I		04
L		16

TOOLS REQUIRED





STEP 2

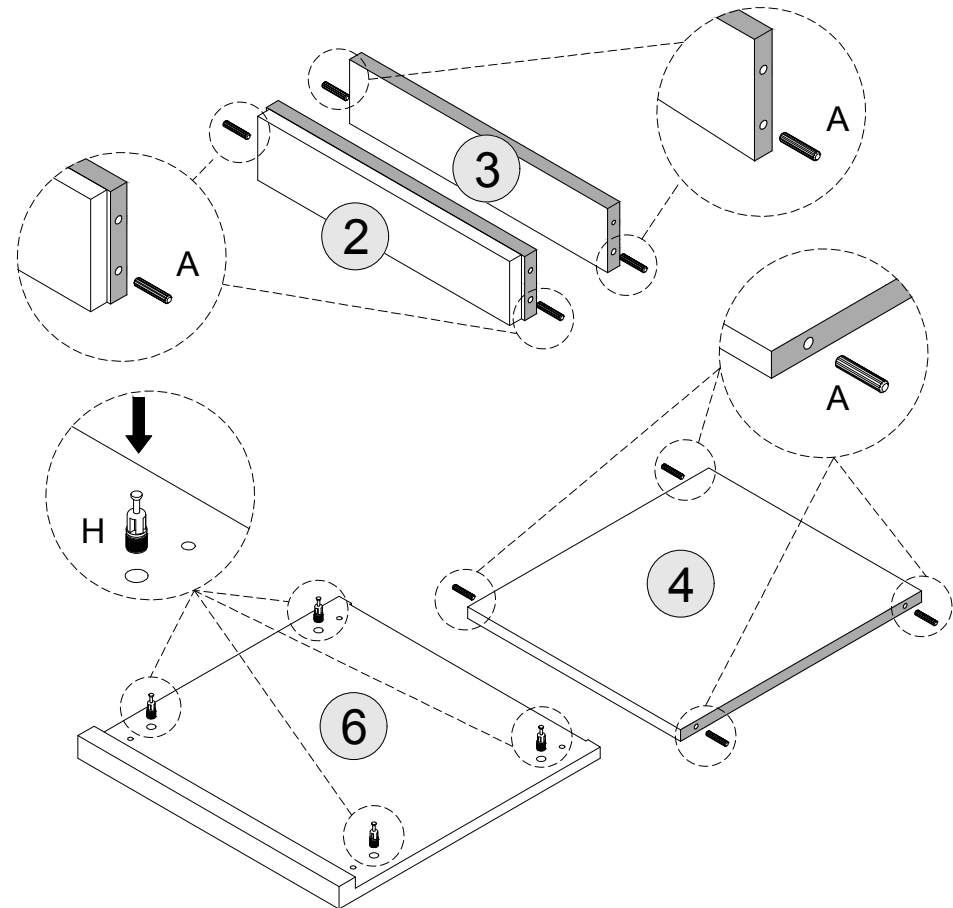
PARTS REQUIRED

2 - BASE FRONT APRON	x1
3 - BACK CROSSBAR	x1
4 - CENTRE SHELF	x1
6 - TOP PANEL	x1

HARDWARE REQUIRED

A		08
H		04

TOOLS REQUIRED




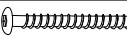
STEP 3

PARTS REQUIRED

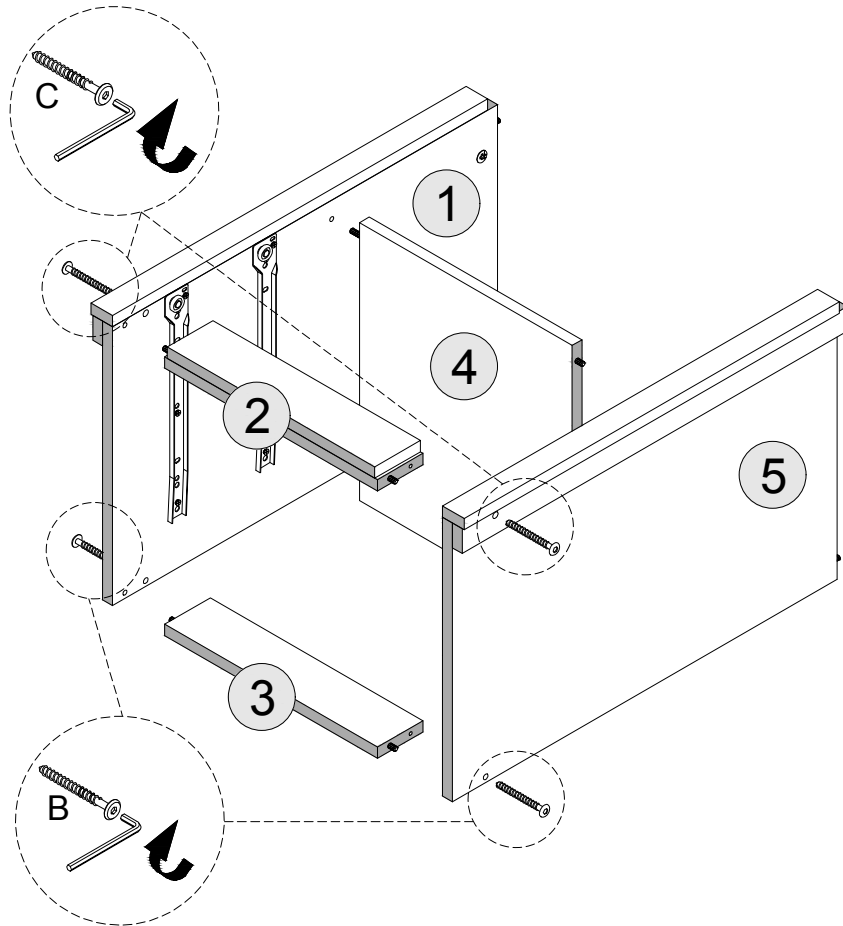
1 - LEFT SIDE PANEL	x1
2 - BASE FRONT APRON	x1
3 - BACK CROSSBAR	x1
4 - CENTRE SHELF	x1
5 - RIGHT SIDE PANEL	x1

HARDWARE REQUIRED

B  02

C  02

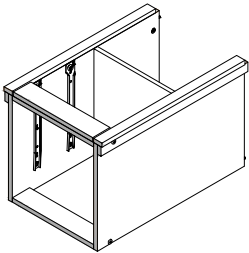
TOOLS REQUIRED



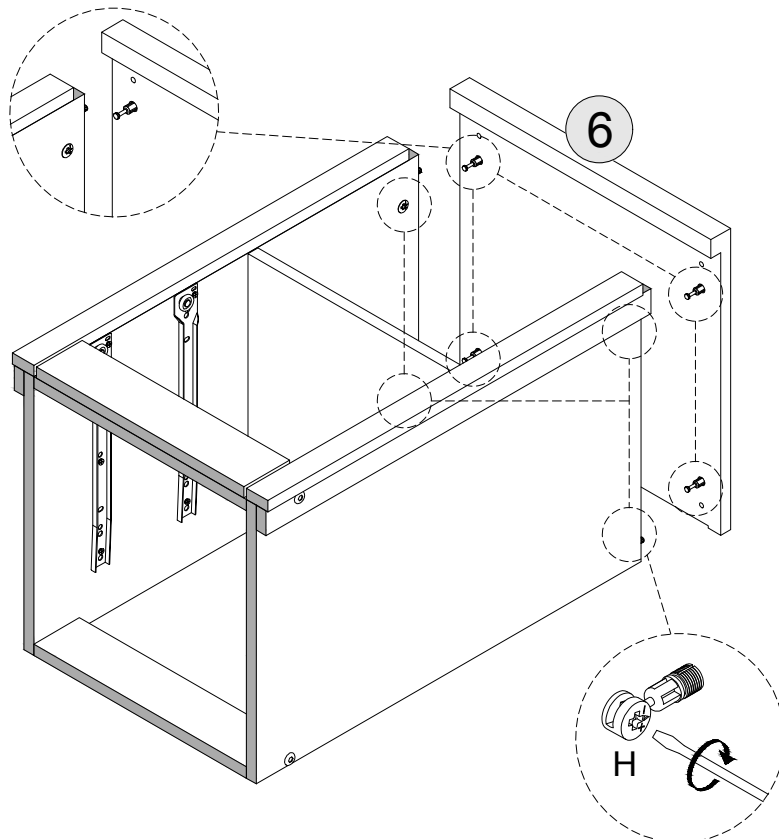
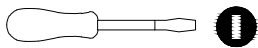
STEP 4

PARTS REQUIRED

6 - TOP PANEL	x1
---------------	----



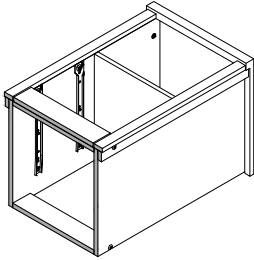
TOOLS REQUIRED



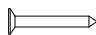
STEP 5

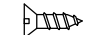
PARTS REQUIRED

7 - BACK PANEL x1

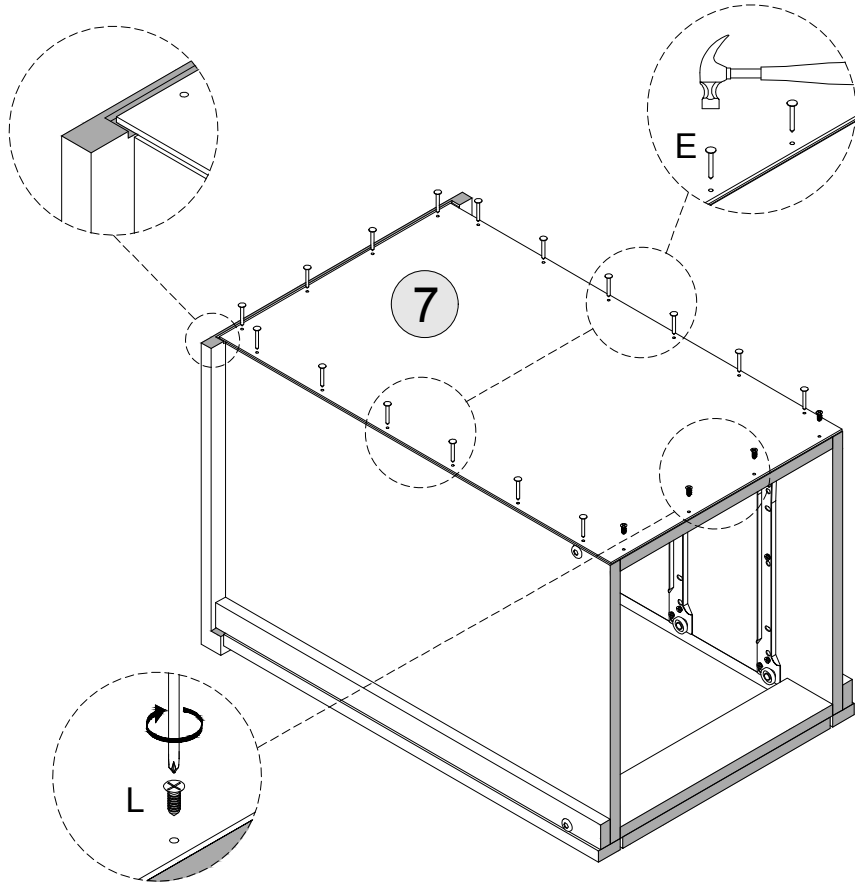
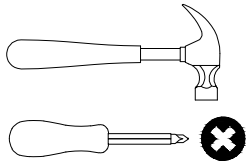


HARDWARE REQUIRED

E  16

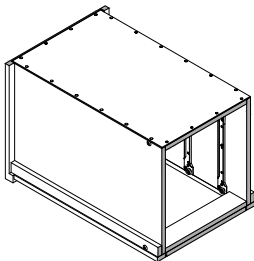
L  04

TOOLS REQUIRED

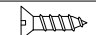


STEP 6

PARTS REQUIRED

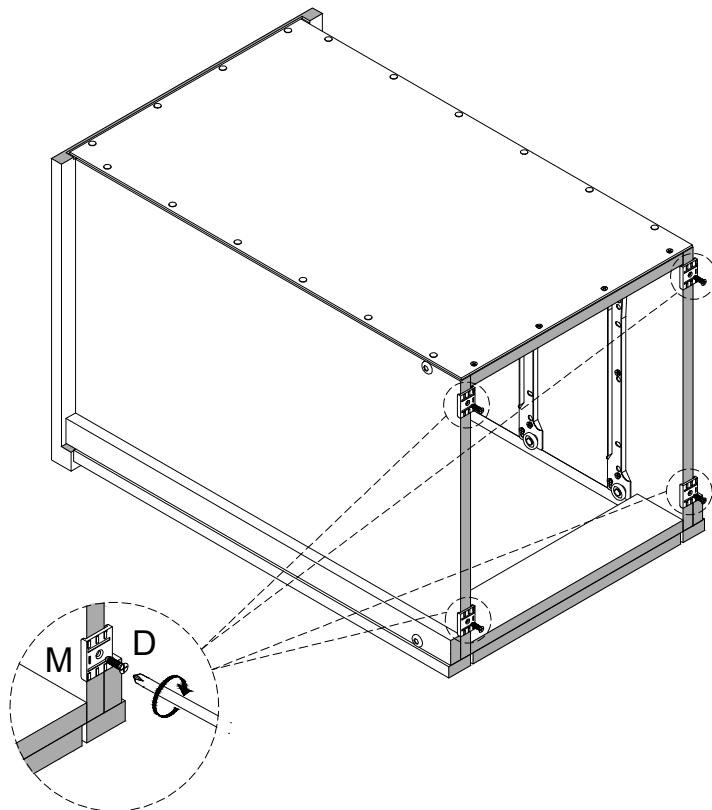
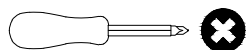


HARDWARE REQUIRED

D  04

M  04

TOOLS REQUIRED


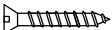


STEP 7

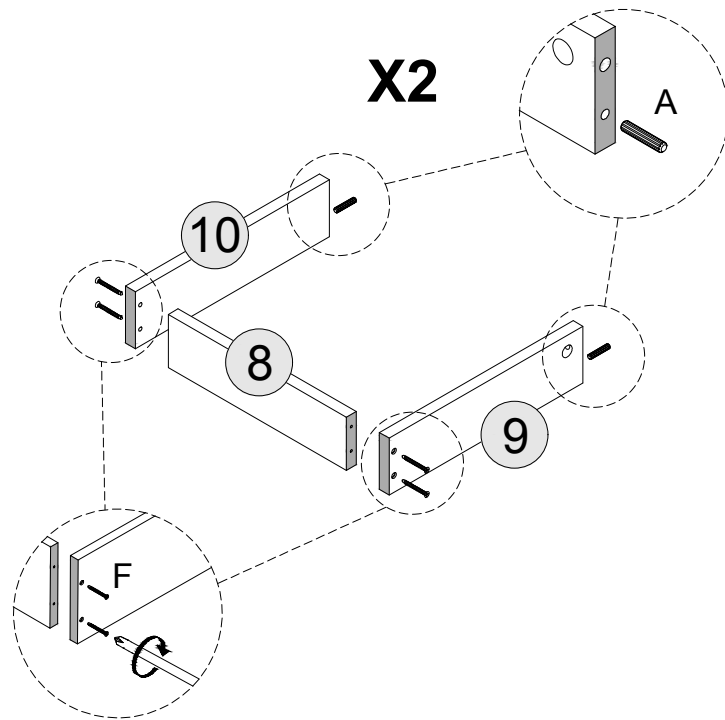
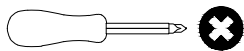
PARTS REQUIRED

8 - DRAWER BACK	x2
9 - LEFT SIDE DRAWER	x2
10 - RIGHT SIDE DRAWER	x2

HARDWARE REQUIRED

A		04
F		08

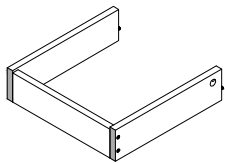
TOOLS REQUIRED



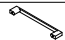


STEP 8

PARTS REQUIRED

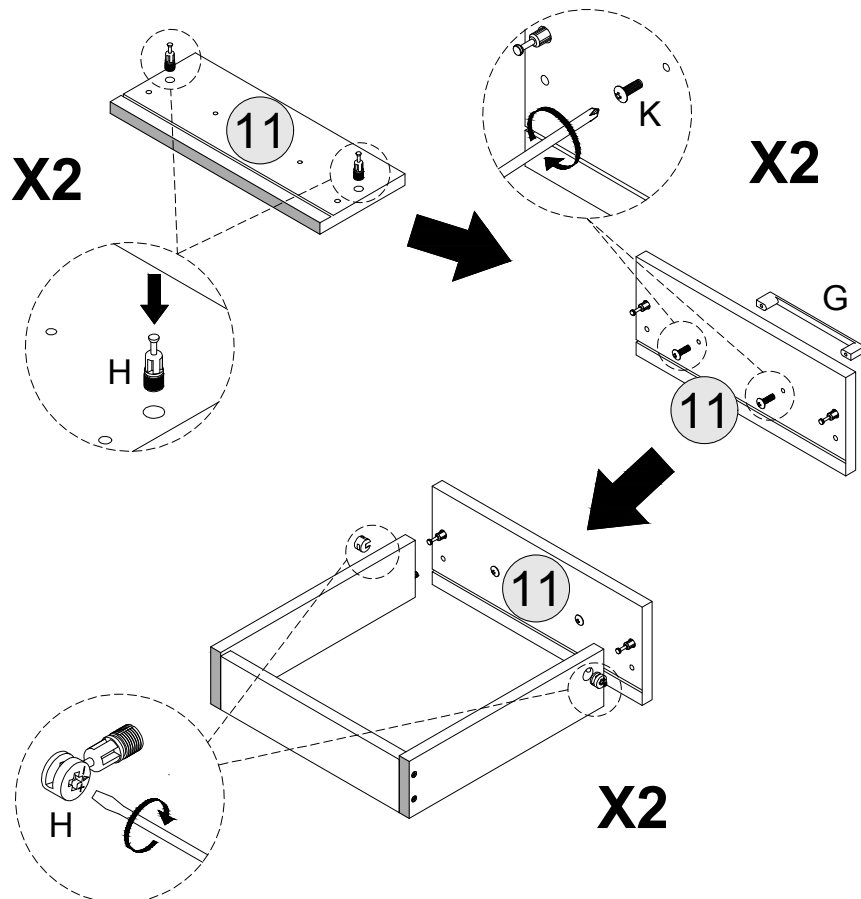
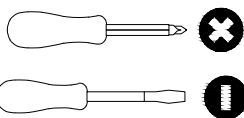
11 - DRAWER FRONT	x2
-------------------	----



HARDWARE REQUIRED

G		02
H		04
K		04

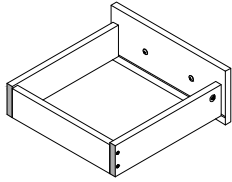
TOOLS REQUIRED



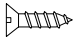
STEP 9

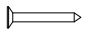
PARTS REQUIRED


12 - DRAWER BASE x2



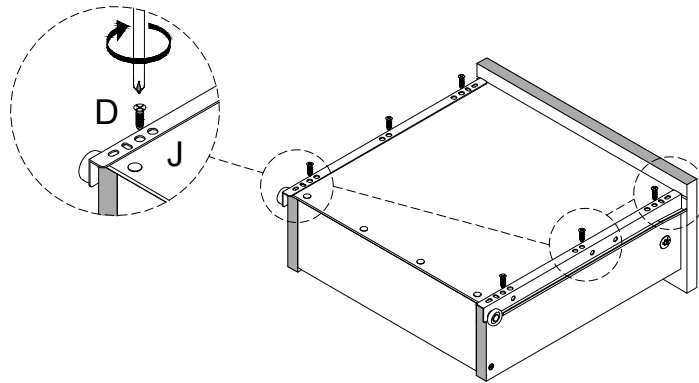
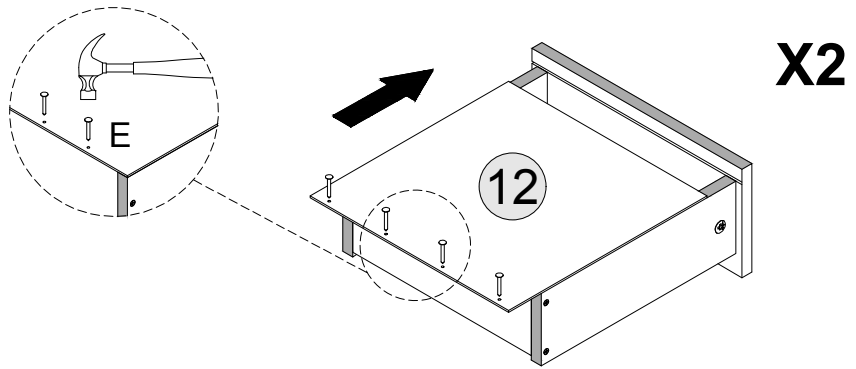
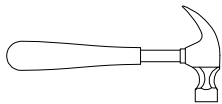
HARDWARE REQUIRED

D  12

E  08

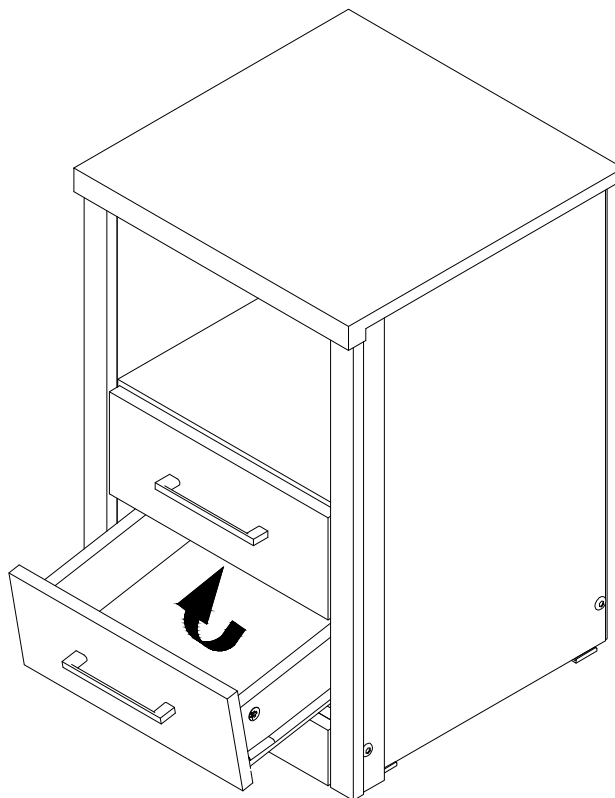
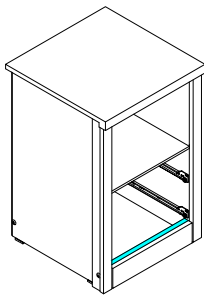
J  04

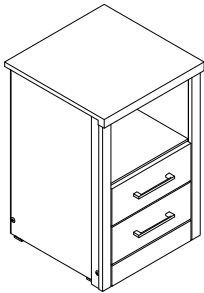
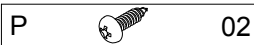
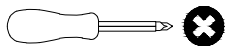
TOOLS REQUIRED



STEP 10

PARTS REQUIRED



STEP 11PART REQUIREDHARDWARE REQUIREDTOOLS REQUIRED**WARNING**

Serious or fatal injuries can occur from furniture tipping over. To prevent the furniture from tipping over we recommend that it is permanently fixed to the wall.

Wall fixings are not supplied with this product as different wall materials require different types of fixing devices. Please make sure you use fixings suitable for the walls in your home.

