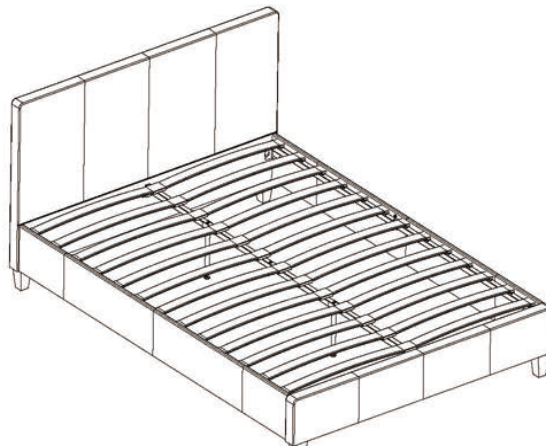


# PRADO 4' 6" BED ASSEMBLY INSTRUCTIONS



## FOR DOMESTIC USE ONLY

### IMPORTANT

PLEASE READ BEFORE YOU CONTINUE FURTHER

THE PRODUCT YOU HAVE PURCHASED WILL GIVE YOU MANY YEARS OF SERVICE IF YOU FOLLOW THE GUIDELINES FOR ITS SAFE ASSEMBLY AND PERIODIC MAINTENANCE AND CLEANING.

ASSEMBLE ON A SOFT CLEAN SURFACE.

DO NOT USE ANY TOOLS OTHER THAN THOSE SHOWN.

ANY SPANNERS OR ALLEN KEYS REQUIRED ARE INCLUDED WITH THE FITTINGS KIT.

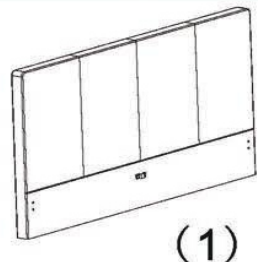
DO NOT FOR ANY REASON USE A POWER TOOL TO ASSEMBLE THIS PRODUCT. ITS USE WILL INVALIDATE ANY CLAIM YOU MAY HAVE AND COULD MAKE THIS PRODUCT UNSAFE.

DEPENDING ON THE AMOUNT OF USE THIS PRODUCT RECEIVES IT MAY BE NECESSARY TO TIGHTEN UP THE FIXINGS FROM TIME TO TIME. THIS IS COMPLETELY NORMAL FOR ANY FLAT PACK FURNITURE.

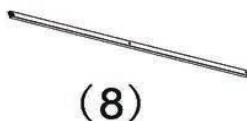
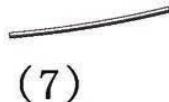
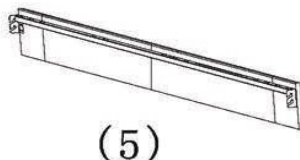
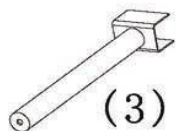
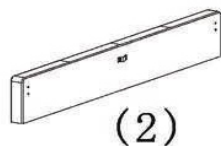
**FOR CLEANING YOU MAY USE A DAMP CLOTH (NOT WET). DO NOT USE POLISH, DETERGENT OR CHEMICAL CLEANERS.**

THIS PRODUCT MAY STAIN OR MARK IF ALLOWED TO COME INTO CONTACT WITH WET OR DAMP OBJECTS AS MATERIALS USED HAVE NOT BEEN SCOTCH GUARDED.

THE SURFACE OF THIS ITEM IS NOT HEAT RESISTANT. ALWAYS USE A PLACE MAT UNDER HOT OR COLD ITEMS TO PREVENT MARKING .



### PARTS LIST



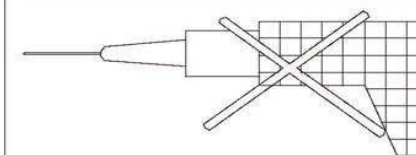
1	HEADBOARD	1PC
2	FOOTBOARD	1PC
3	CENTRE SUPPORT LEG	2PCS
4	FEET	4PCS
5	SIDE RAIL	2PCS
6	CENTRE RAIL	1PC
7	WOODEN SLAT	26PCS
8	CENTRE CROSS RAIL	1PC

### HARDWARE LIST

A		Φ5/16" X25MM BOLT	8PCS
B		Φ5/16" X45MM BOLT	2PCS
C		Φ5/16" X25MM PLASTIC FOOT ADJUSTER	2PCS
D		5MM ALLEN KEY	1PC
E		CENTRE PLASTIC CONNECTOR	13PCS
F		END CAP	26PCS
G		Φ1/4" X57MM BOLT	3PCS
H		Φ1/4" XBUTTERFLY NUT	3PCS
I		Φ1/4" X16MM WASHER	6PCS
J		Φ1/4" SPRING WASHER	6PCS
K		Φ1/4" X16MM PLASTIC WASHER	3PCS
L		4MM ALLEN KEY	1PCS

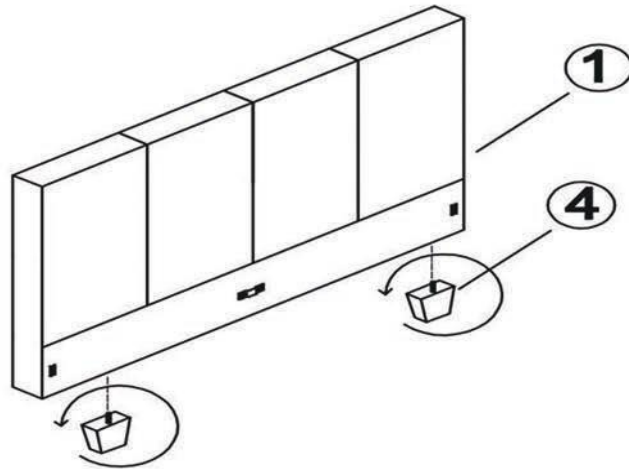
PLEASE CHECK THAT YOU HAVE ALL THE PARTS LISTED BEFORE YOU START ASSEMBLING. IF YOU DO FIND THAT SOMETHING IS MISSING. DO NOT CONTINUE ASSEMBLY. PLEASE CONTACT YOUR SUPPLIER IMMEDIATELY.

THE USE OF POWER TOOLS TO ASSEMBLE THIS PRODUCT WILL INVALIDATE ANY CLAIM AND MAY DAMAGE THIS PRODUCT MAKING IT UNSAFE

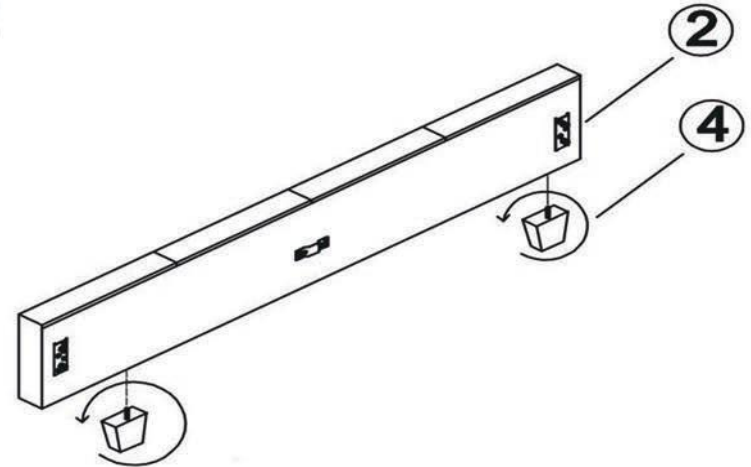




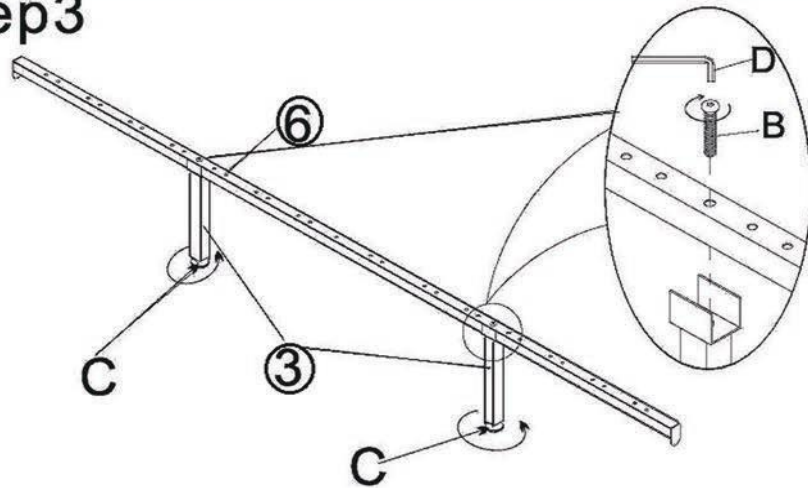
Step1



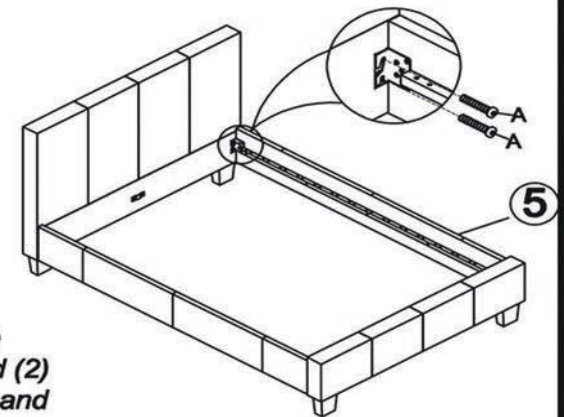
Step2



Step3

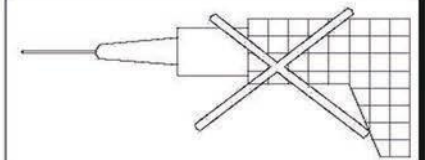


Step4

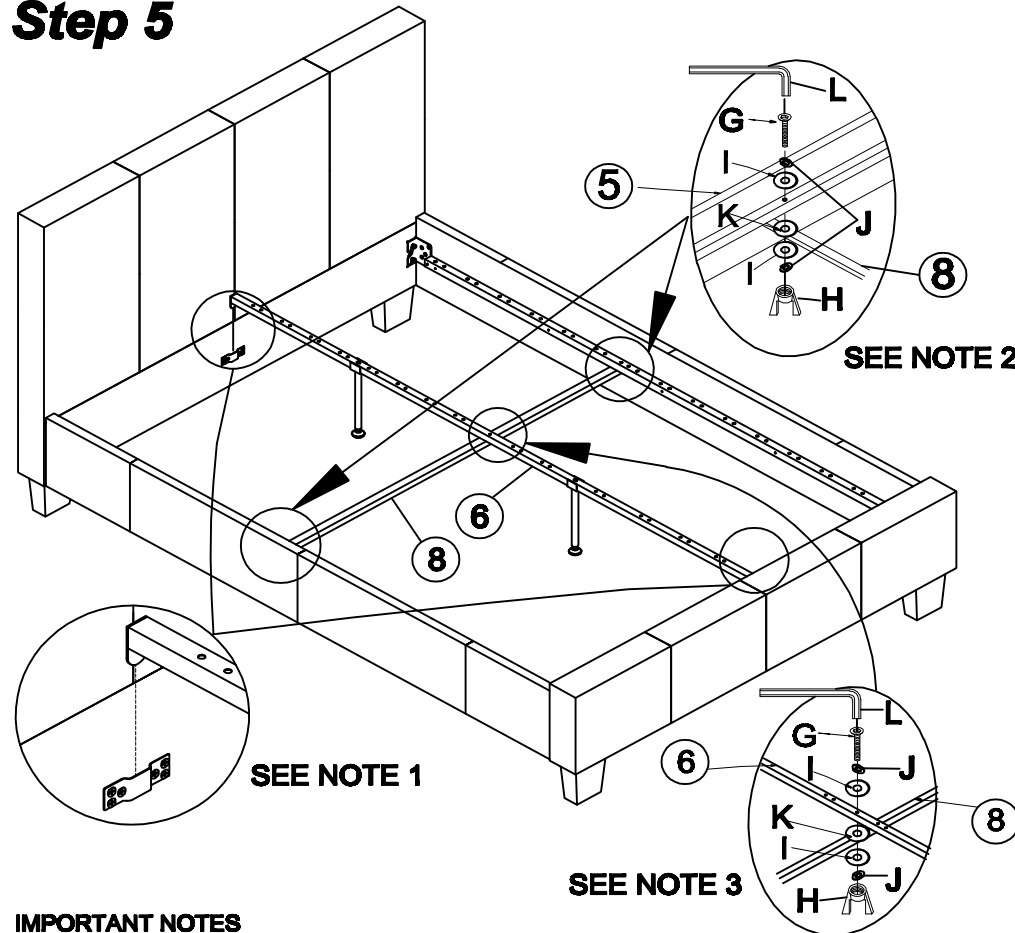


Attach the Side Rail (5) to the Headboard (1) and Footboard (2) using  $\phi 5/16 \times 25$ MM Bolt (A) and securely fasten.

THE USE OF POWER TOOLS TO ASSEMBLE THIS PRODUCT WILL INVALIDATE ANY CLAIM AND MAY DAMAGE THIS PRODUCT MAKING IT UNSAFE



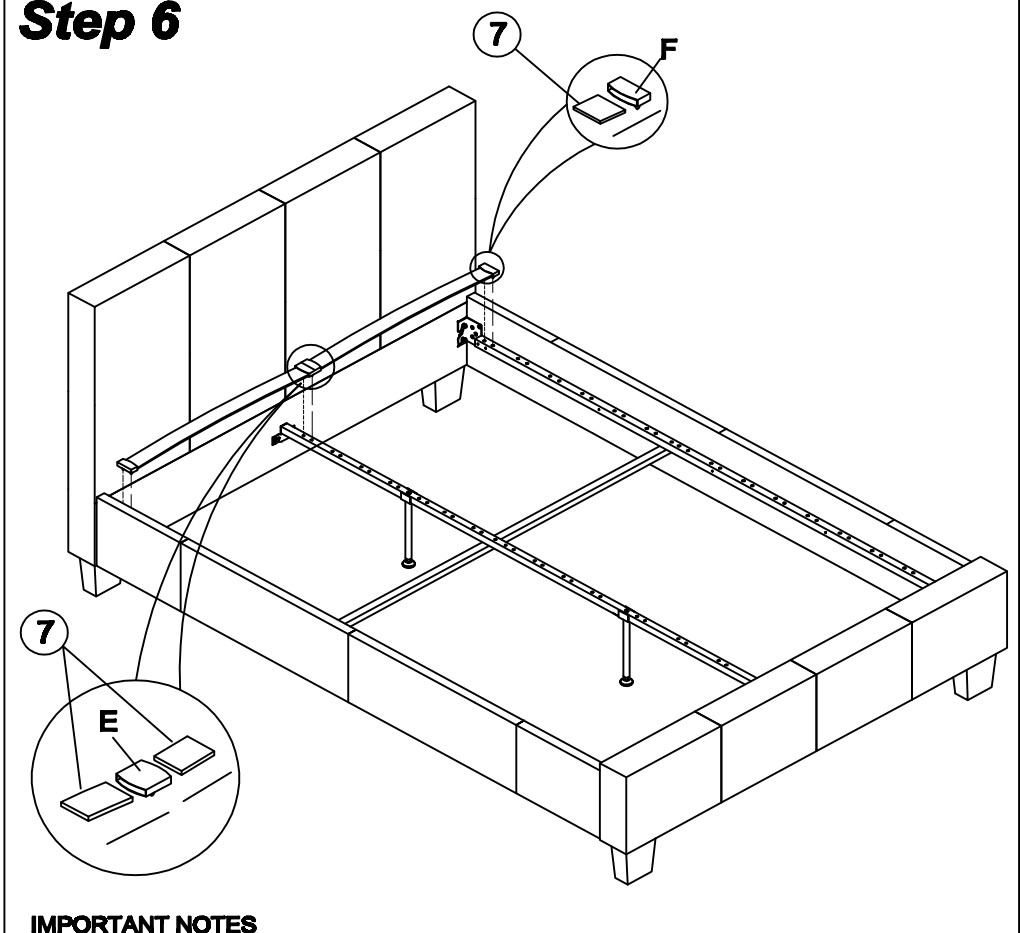
### Step 5



**IMPORTANT NOTES**

- NOTE 1 - LOCATE CENTRE RAIL (6) IN BRACKETS ON HEADBOARD (1) AND FOOTBOARD (2)
- NOTE 2 - ASSEMBLE CENTRE CROSS RAIL (8) TO SIDE RAIL (5)
- NOTE 3 - ASSEMBLE CENTRE RAIL (6) TO CENTRE CROSS RAIL (8)
- NOTE 4 - PLASTIC FOOT ADJUSTER (C) IS USED TO ADJUST THE HEIGHT OF THE CENTRE SUPPORT LEG (3) WHEN NECESSARY. IT IS RECOMMENDED TO ADJUST THE PLASTIC STUD (C) AT LEAST 5MM AWAY FROM THE FLOOR

### Step 6



**IMPORTANT NOTES**

- INSERT THE CENTRE PLASTIC CONNECTOR (E) ONTO THE CENTRE RAIL (6).
- INSERT THE WOODEN SLAT (7) INTO THE CENTRE PLASTIC CONNECTOR (E) AND SLIDE IN THE END CAP (F). SECURE THE END CAP (F) ONTO THE SIDE RAIL (5).
- REPEAT THIS OPERATION UNTIL ALL SLATS ARE ASSEMBLED TO BED.
- ALWAYS REMEMBER, WHEN MOVING THE BED FOR CLEANING, ETC, LIFT THE BED WITH TWO PEOPLE. DO NOT SLIDE OR DRAG THE BED.

**USE OF POWER TOOLS TO ASSEMBLE THIS PRODUCT WILL INVALIDATE ANY CLAIM AND MAY DAMAGE THIS PRODUCT MAKING IT UNSAFE**

