

CASABLANCA 4 DRAWER CHEST

ASSEMBLY INSTRUCTIONS



IMPORTANT

PLEASE READ BEFORE YOU CONTINUE FURTHER

PLEASE KEEP THE ORIGINAL PACKAGING UNTIL THE ITEM IS FULLY ASSEMBLED AND IN PLACE . IN THE UNLIKELY EVENT THAT YOU NEED TO RETURN YOUR PRODUCT, IT MUST BE RETURNED IN ITS ORIGINAL PACKAGING TO AVOID FURTHER DAMAGE . FAILURE TO COMPLY TO THESE PROCEDURES, NO RETURN'S WILL BE ACCEPTED .

THE PRODUCT YOU HAVE PURCHASED WILL GIVE YOU MANY YEARS OF SERVICE IF YOU FOLLOW THE GUIDELINES FOR ITS SAFE ASSEMBLY AND PERIODIC MAINTENANCE AND CLEANING .

ASSEMBLE ON A SOFT CLEAN SURFACE .
KEEP OUT OF DIRECT SUNLIGHT, FAILURE TO DO SO COULD LEAD TO DISCOLOURATION ON YOUR PIECE OF FURNITURE
DO NOT USE ANY TOOLS OTHER THAN THOSE SHOWN .

ANY SPANNERS OR ALLEN KEYS REQUIRED ARE INCLUDED WITH FITTINGS KIT.
DO NOT FOR ANY REASON USE A POWER TOOL TO ASSEMBLE THIS PRODUCT.
ITS USE WILL INVALIDATE ANY CLAIM YOU MAY HAVE AND COULD MAKE THIS PRODUCT UNSAFE .

DEPENDING ON THE AMOUNT OF USE THIS PRODUCT RECEIVES IT MAY BE NECESSARY TO TIGHTEN UP THE FIXINGS FROM TIME TO TIME.THIS IS COMPLETELY NORMAL FOR ANY FLAT PACK FURNITURE .
DO NOT OVERTIGHTEN FIXINGS.

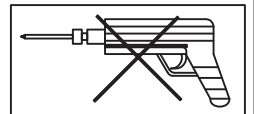
FOR CLEANING , YOU MAY USE A DAMP CLOTH (NOT WET) .
THE SURFACE TO THIS ITEM IS NOT HEAT RESISTANT . ALWAYS USE A PLACE MAT UNDER HOT OR COLD ITEMS TO PREVENT MARKING .

PLEASE DO NOT THROW AWAY ANY PACKAGING UNIT ALL COMPONENTS HAVE BEEN CHECKED.
IF COMPONENTS ARE MISSING PLEASE CONTACT SUPPLIER IMMEDIATELY .

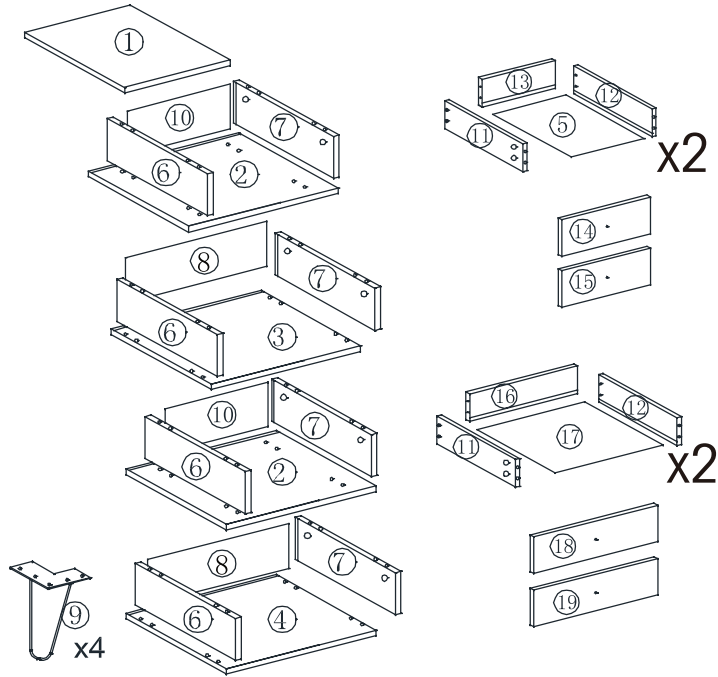
TWO PERSONS REQUIRED TO ASSEMBLE THIS PRODUCT

1. Please check that you have all the parts listed before you start assembling. If you do find that something is missing .do not continue assembly . Please contact your supplier immediately.
2. Lay out all of the components on a soft surface as if you were preparing to do a jigsaw puzzle.
3. Separate and identify each component,from the hardware pack and rest each one in its proper location before fastening.

THE USE OF POWER TOOLS TO ASSEMBLE THIS PRODUCT WILL INVALIDATE ANY CLAIM AND ANY DAMAGE THIS PRODUCT MAKING IT UNSAFE

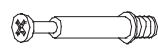








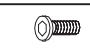
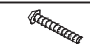





PARTS LIST

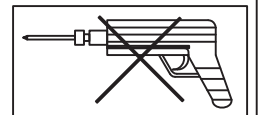


1	TOP PANEL	1PC	12	DRAWER SIDE BOARD	4PCS
2	SHELF PANEL	2PCS	13	DRAWER BACK BOARD	2PCS
3	SHELF PANEL	1PC	14	DRAWER FRONT BOARD	1PC
4	BASE PANEL	1PC	15	DRAWER FRONT BOARD	1PC
5	DRAWER BOTTOM BOARD	2PCS	16	DRAWER BACK BOARD	2PCS
6	LEFT SIDE PANEL	4PCS	17	DRAWER BOTTOM BOARD	2PCS
7	RIGHT SIDE PANEL	4PCS	18	DRAWER FRONT BOARD	1PC
8	BACK PANEL	2PCS	19	DRAWER FRONT BOARD	1PC
9	METAL LEG	4PCS			
10	BACK PANEL	2PCS			
11	DRAWER SIDE BOARD	4PCS			

HARDWARE LIST

P1		MALE CAMLOCK	32PCS
P2		FEMALE CAMLOCK	32PCS
P3	 M4X35mm	SCREW	18PCS
P4		HEXAGON KEY	1PC
P5	 M3.5X12mm	SCREW	50PCS
P6	 CL DL DR CR	DRAWER RUNNER	4SETS
P7	 M8X30mm	DOWEL	32PCS
P8	 M5X40mm	SCREW	16PCS
P9		HANDLE	1PC
P10	 M6X12mm	SCREW	20PCS
P11	 M4X20mm	SCREW	3PCS
P12		WALL STRAP	2PCS
P13		SUPPORT PLATE	4PCS
P14		WALL PLUG	2PCS

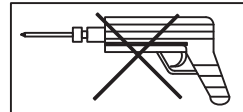
THE USE OF POWER TOOLS TO ASSEMBLE THIS PRODUCT WILL INVALIDATE ANY CLAIM AND ANY DAMAGE THIS PRODUCT MAKING IT UNSAFE



HARDWARE LIST

P15		HANDLE	1PC
P16		HANDLE	2PCS
P17	 M4X18mm	SCREW	1PC

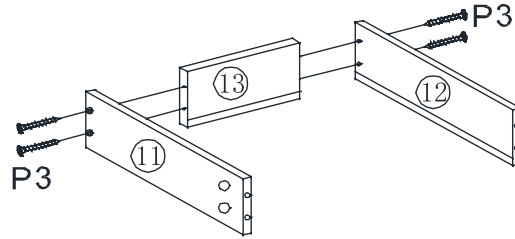
THE USE OF POWER TOOLS TO ASSEMBLE THIS PRODUCT WILL INVALIDATE ANY CLAIM AND ANY DAMAGE THIS PRODUCT MAKING IT UNSAFE



STEP 1

You will need:

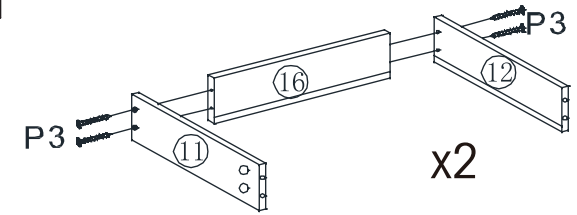
P3	 M4X35mm	4PCS
----	---	------



STEP 4



You will need:

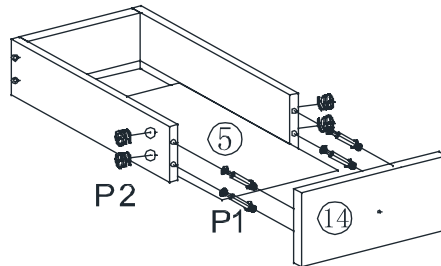
P3	 M4X35mm	8PCS
----	---	------



STEP 2



You will need:

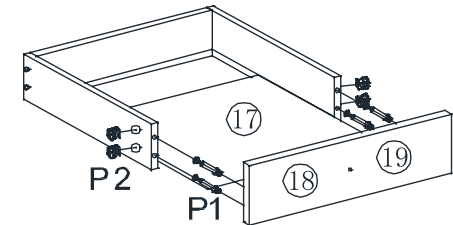
P1		4PCS
P2		4PCS



STEP 5





You will need:

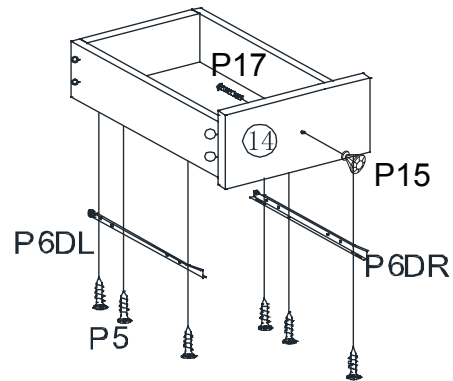
P1		8PCS
P2		8PCS



STEP 3





You will need:

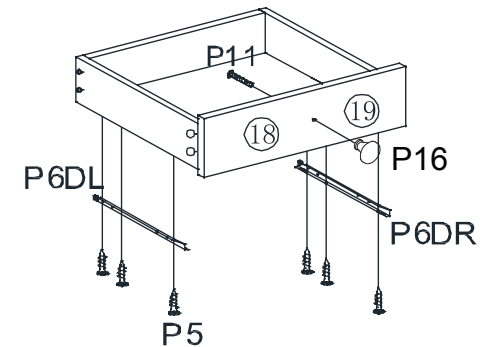
P5	 M3.5X12mm	6PCS
P6	 DL DR	1SET
P17	 M4X18mm	1PC
P15		1PC



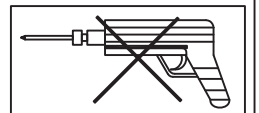
STEP 6

You will need:

P5	 M3.5X12mm	12PCS
P6	 DL DR	2SETS
P11	 M4X20mm	2PCS
P16		2PCS



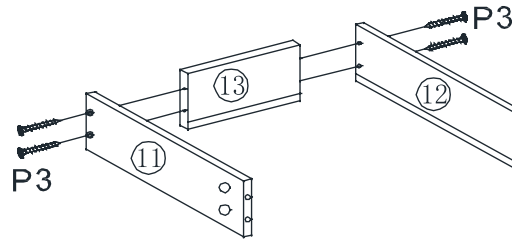
THE USE OF POWER TOOLS TO ASSEMBLE THIS PRODUCT WILL INVALIDATE ANY CLAIM AND ANY DAMAGE THIS PRODUCT MAKING IT UNSAFE



STEP 7



You will need:

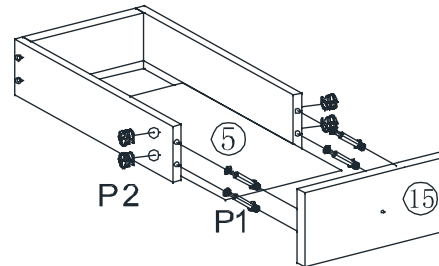
P3	 M4X35mm	4PCS
----	---	------



STEP 8





You will need:

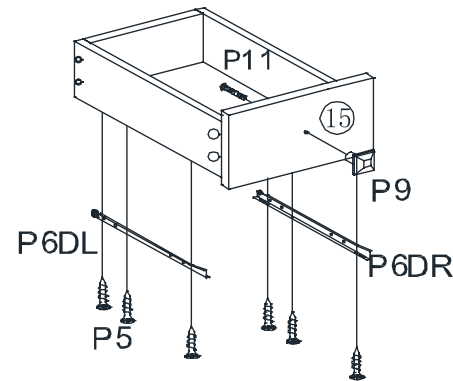
P1		4PCS
P2		4PCS



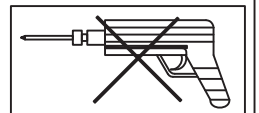
STEP 9

You will need:

P5	 M3.5X12mm	6PCS
P6	 DL DR	1SET
P11	 M4X20mm	1PC
P9		1PC


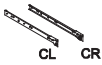


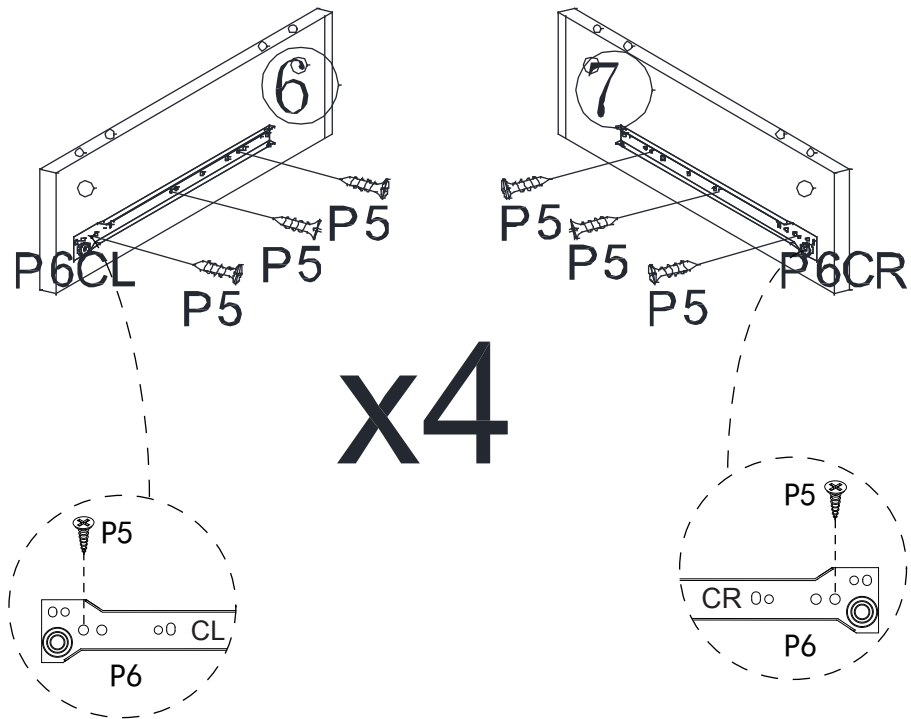
THE USE OF POWER TOOLS TO ASSEMBLE THIS PRODUCT WILL INVALIDATE ANY CLAIM AND ANY DAMAGE THIS PRODUCT MAKING IT UNSAFE



STEP 10




You will need:

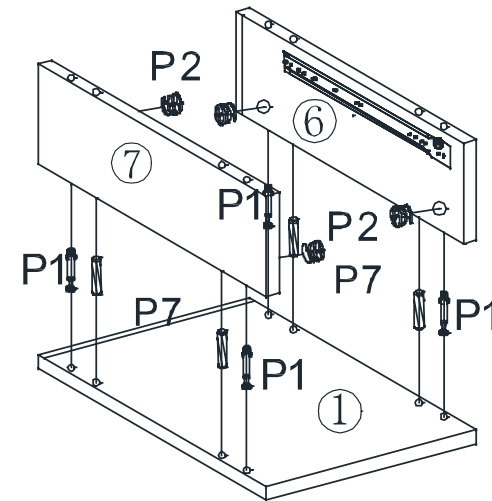
P5	 M3.5X12mm	24PCS
P6	 CL CR	4SETS



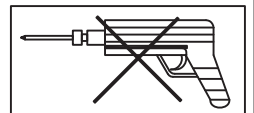
STEP 11

You will need:

P1	 M8X30mm	4PCS
P2		4PCS
P7	 M8X30mm	4PCS


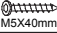
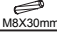


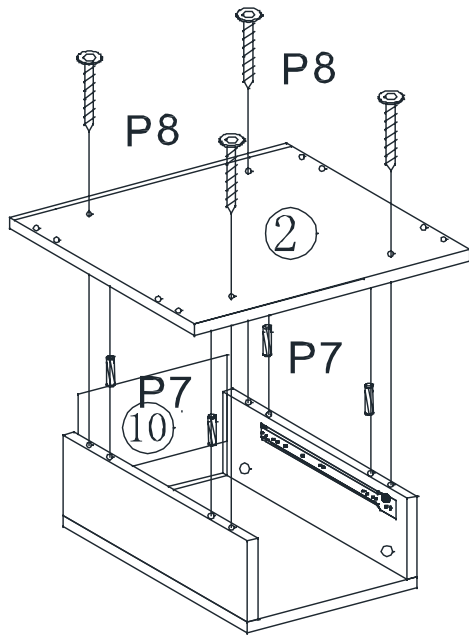
THE USE OF POWER TOOLS TO ASSEMBLE THIS PRODUCT WILL INVALIDATE ANY CLAIM AND ANY DAMAGE THIS PRODUCT MAKING IT UNSAFE



STEP 12



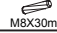
You will need:

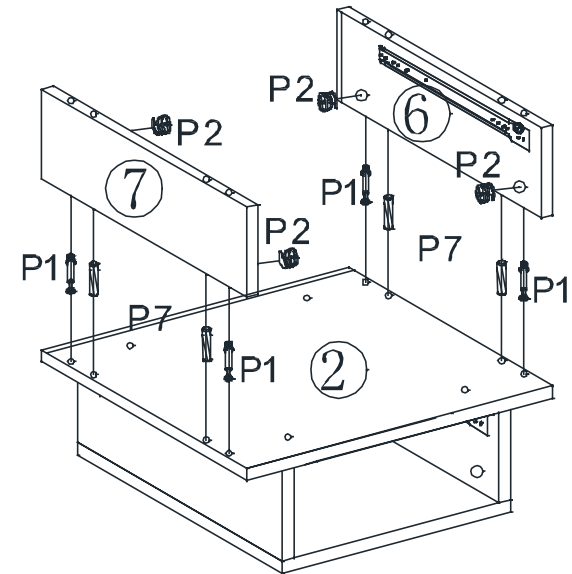
P4		1PC
P8	 M5x40mm	4PCS
P7	 M8x30mm	4PCS



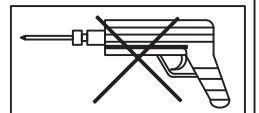
STEP 13

You will need:

P1		4PCS
P2		4PCS
P7	 M8x30mm	4PCS






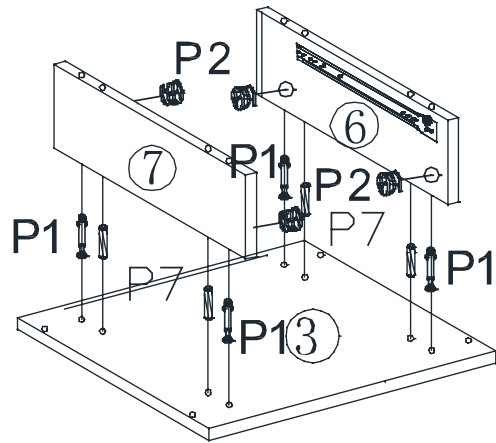
THE USE OF POWER TOOLS TO ASSEMBLE THIS PRODUCT WILL INVALIDATE ANY CLAIM AND ANY DAMAGE THIS PRODUCT MAKING IT UNSAFE



STEP 14


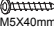

You will need:

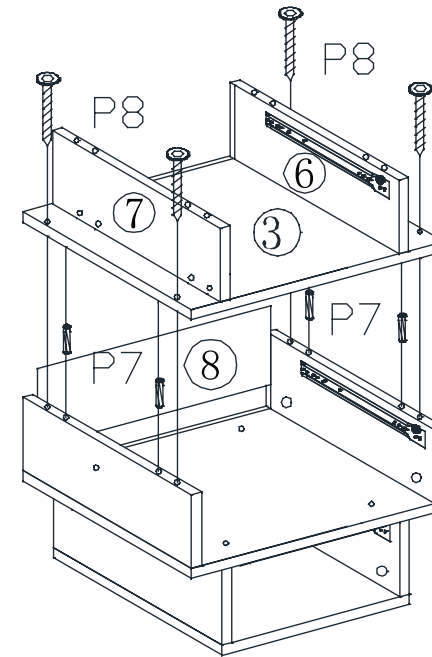
P1		4PCS
P2		4PCS
P7	 M8X30mm	4PCS



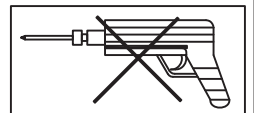
STEP 15

You will need:

P4		1PC
P8	 M5X40mm	4PCS
P7	 M8X30mm	4PCS


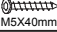
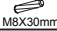


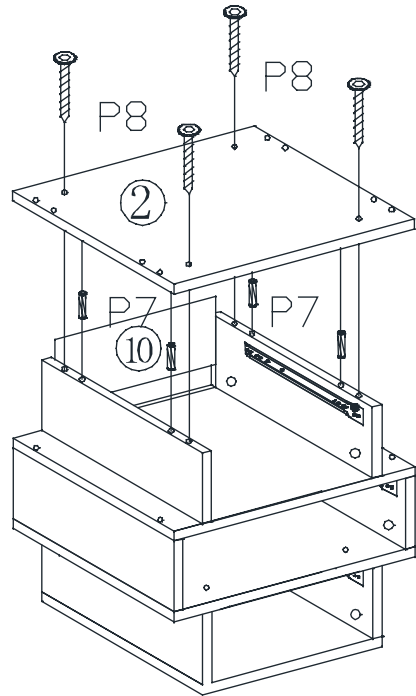
THE USE OF POWER TOOLS TO ASSEMBLE THIS PRODUCT WILL INVALIDATE ANY CLAIM AND ANY DAMAGE THIS PRODUCT MAKING IT UNSAFE



STEP 16




You will need:

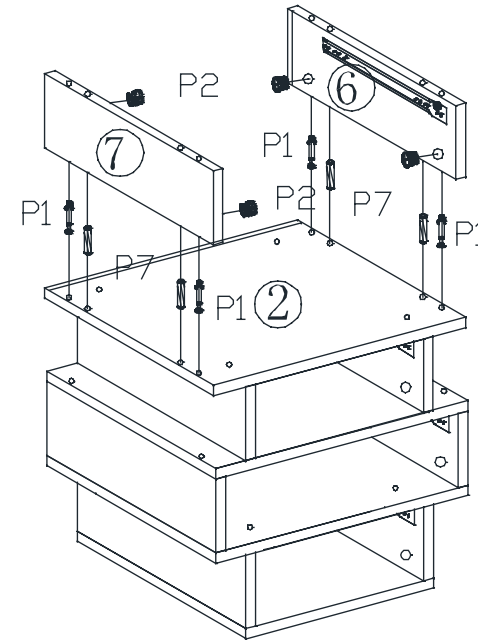
P4		1PC
P8	 M5X40mm	4PCS
P7	 M8X30mm	4PCS



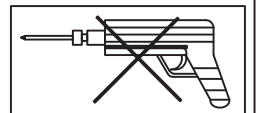
STEP 17

You will need:

P1		4PCS
P2		4PCS
P7	 M8X30mm	4PCS


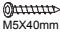



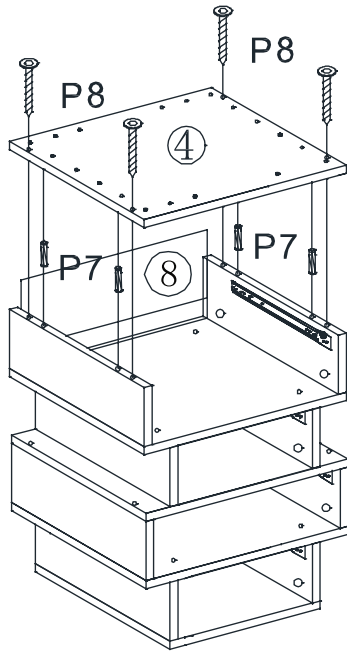
THE USE OF POWER TOOLS TO ASSEMBLE THIS PRODUCT WILL INVALIDATE ANY CLAIM AND ANY DAMAGE THIS PRODUCT MAKING IT UNSAFE



STEP 18



You will need:

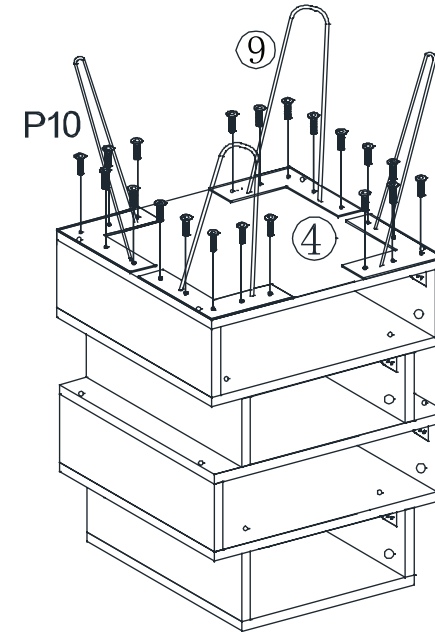
P4		1PC
P8	 M5X40mm	4PCS
P7	 M8X30mm	4PCS



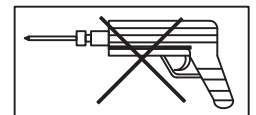
STEP 19

You will need:

P4		1PC
P10	 M6X12mm	20PCS






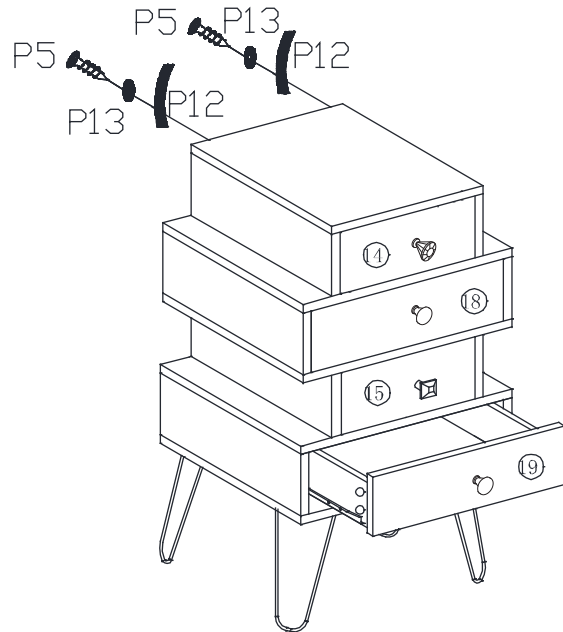
THE USE OF POWER TOOLS TO ASSEMBLE THIS PRODUCT WILL INVALIDATE ANY CLAIM AND ANY DAMAGE THIS PRODUCT MAKING IT UNSAFE



STEP 20




You will need:

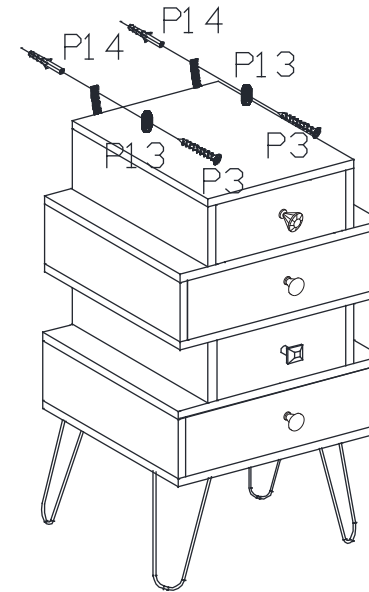
P5	 M3.5X12mm	2PCS
P12		2PCS
P13		2PCS



STEP 21

You will need:

P3	 M4X35mm	2PCS
P14		2PCS
P13		2PCS



THE USE OF POWER TOOLS TO ASSEMBLE THIS PRODUCT WILL INVALIDATE ANY CLAIM AND ANY DAMAGE THIS PRODUCT MAKING IT UNSAFE

