



ASSEMBLY INSTRUCTIONS URBAN CONSOLE TABLE

IMPORTANT : READ THESE INSTRUCTIONS CAREFULLY BEFORE ATTEMPTING TO ASSEMBLE OR USE YOUR URBAN CONSOLE TABLE.

PLEASE KEEP THESE INSTRUCTIONS FOR FUTURE REFERENCE.

ASSEMBLY:

Assembly should be carried out with this item laying flat, not standing upright.

Assemble on a soft, clean surface to prevent damages.

To erase the numbers printed on the pieces, use the rubber into the accessories pack.

HEALTH & SAFETY:

DO NOT use this console table if any parts are missing, damaged or worn.

DO NOT use this console table unless all fixings are secured.

Always use on a level, even surface.

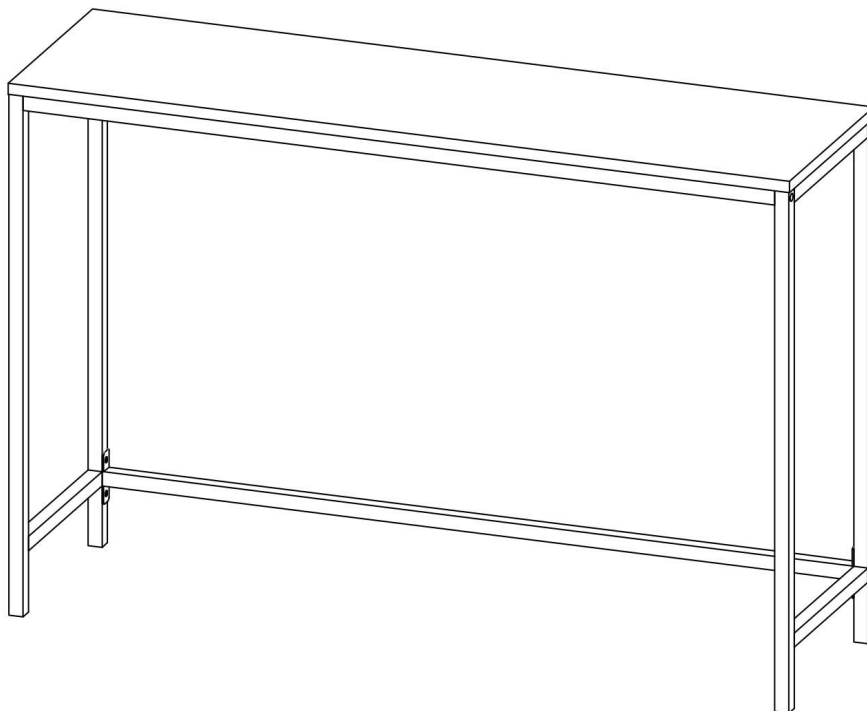
CARE & MAINTENANCE:

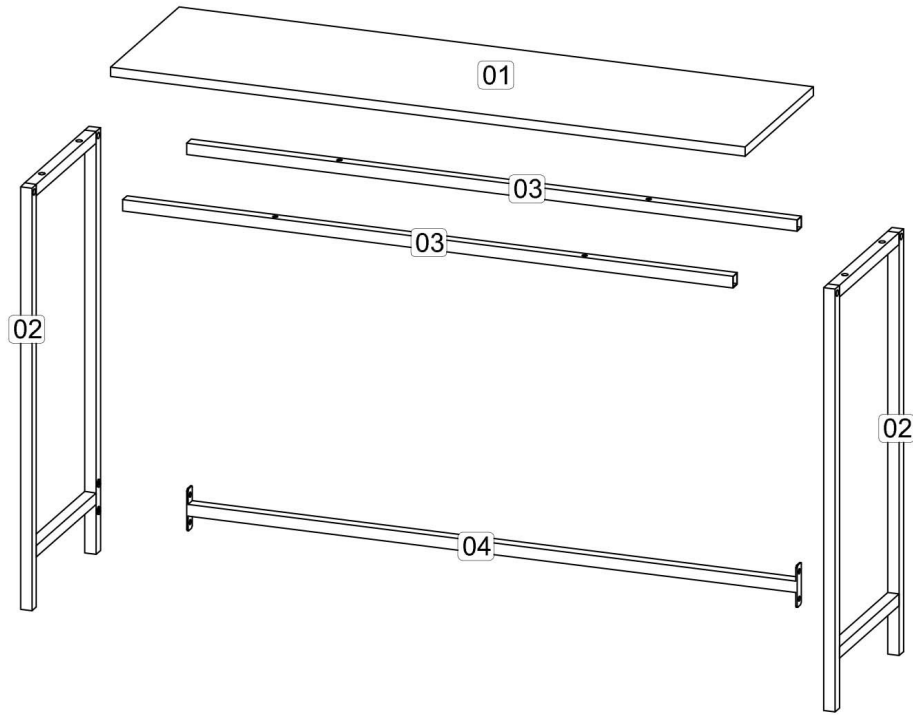
Periodically check all screws & fixings to ensure they are secure.

DO NOT push the console table as this will cause damage.

Always lift the console table with two people to repositions.

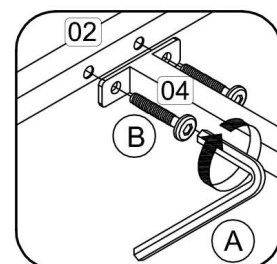
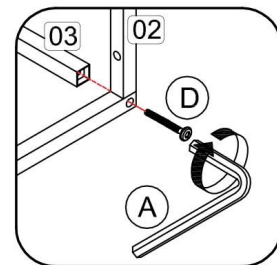
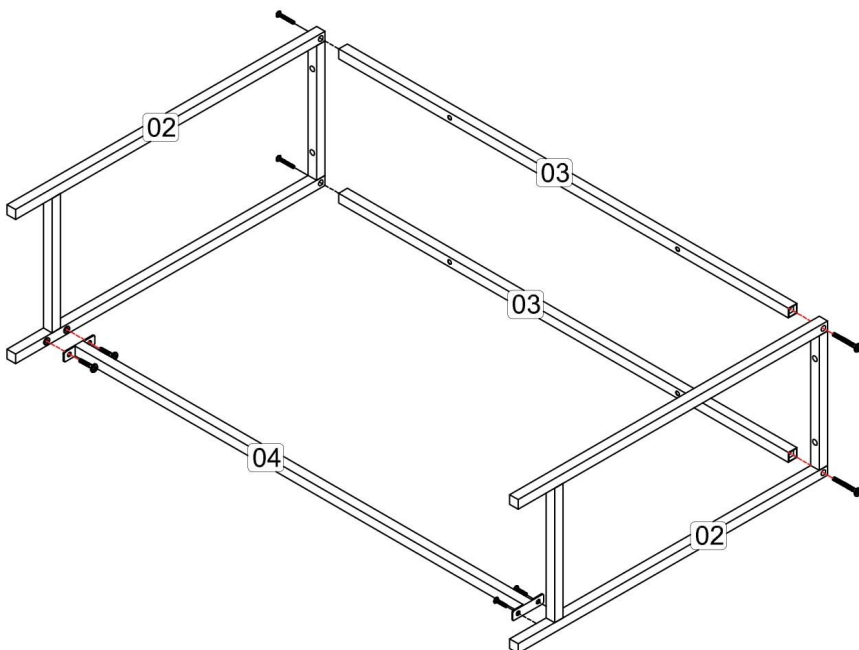
Keep any sharp objects away from the console table.





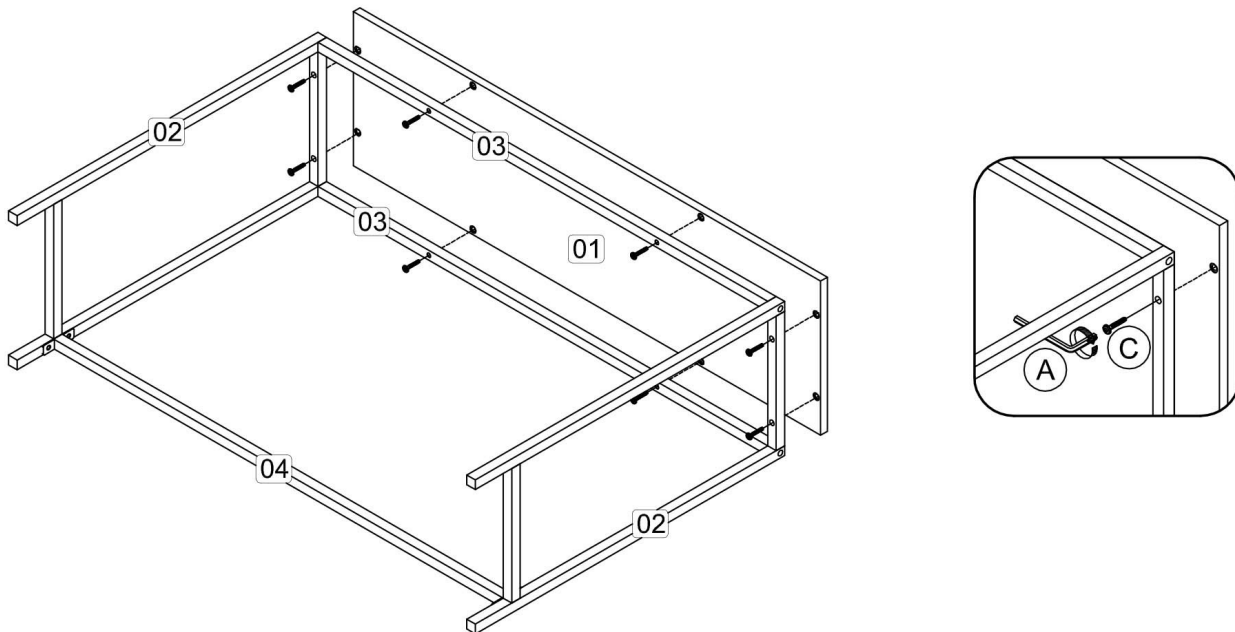
| Parts List | | | Hardware List | | |
|---|-----------------------------|-----|---------------|-----------------------|-----|
| Part | Description | Qty | Part | Description | Qty |
| 01 | Top panel | 1 | A | Allen key M4 | 1 |
| 02 | Metal Side (Left & Right) | 2 | B | JCBC screw M6 x 18mm | 4 |
| 03 | Metal Top | 2 | C | JCBC screw M6 x 30mm | 8 |
| 04 | Metal Bottom | 1 | D | JCBC screw M6 x 40mm | 4 |
| ** You will need a small mallet and a screwdriver for assembly. ** Some screws and wooden dowel may remain. | | | E | M3.5 x 16mm C.B Screw | 2 |
| | | | F | M4 x 38mm C.B Screw | 2 |
| | | | G | 8" x 1" PP tape | 2 |
| | | | H | Wall plug | 2 |

Step 1: Attach the Metal Side (2) to Metal Top (3) using hardware A and D.
 Attach the Metal Side (2) to Metal Bottom (4) using hardware A and B.
DO NOT use any power tools as this may damage the frame and will invalidate any claim.



Step 2: Attach the Metal Side (2) to panel (1) using hardware A and C.

DO NOT use any power tools as this may damage the frame and will invalidate any claim.

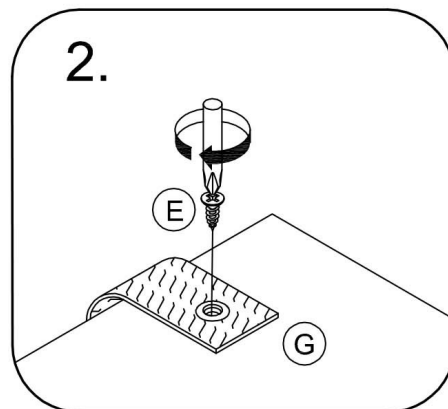
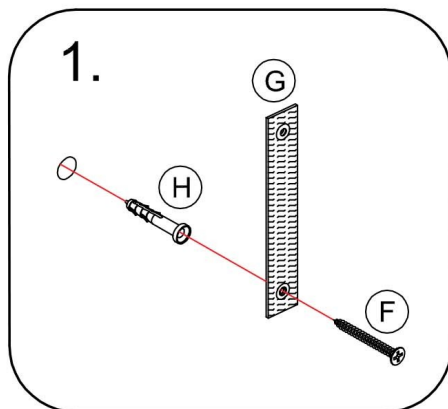


Step 3: To secure the item to the wall use hardware F, G and H using a screwdriver (not provided).

Then attach hardware part G to the panel (1) using hardware E with a screwdriver (not provided).

DO NOT use any power tools as this may damage the frame and will invalidate any claim.

Birlea Furniture advise you use the wall straps provided to further enhance the safety of this product.



Additional Information:

- For complete product information, images and dimension diagrams please visit the website www.birlea.com
- If you have any issues with your item please contact the retailer directly you purchased it from who will be able to resolve any issues with Birlea.
- Why don't you send us photos of your assembled furniture to info@birlea.com to be shared in our #birleahome feature on instagram.



Birlea

Suppliers of inspiration