



ASSEMBLY INSTRUCTIONS URBAN NEST OF TABLES

IMPORTANT : READ THESE INSTRUCTIONS CAREFULLY BEFORE ATTEMPTING TO ASSEMBLE OR USE YOUR URBAN NEST OF TABLES.

PLEASE KEEP THESE INSTRUCTIONS FOR FUTURE REFERENCE.

ASSEMBLY:

Assembly should be carried out with this item laying flat, not standing upright.

Assemble on a soft, clean surface to prevent damages.

To erase the numbers printed on the pieces, use the rubber into the accessories pack.

HEALTH & SAFETY:

DO NOT use this nest of table if any parts are missing, damaged or worn.

DO NOT use this nest of table unless all fixings are secured.

Always use on a level, even surface.

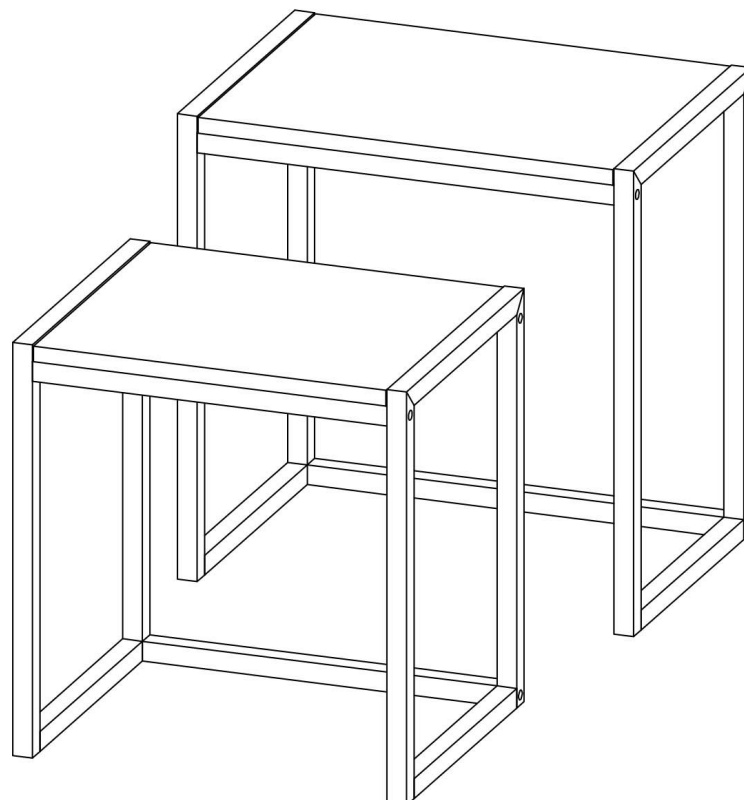
CARE & MAINTENANCE:

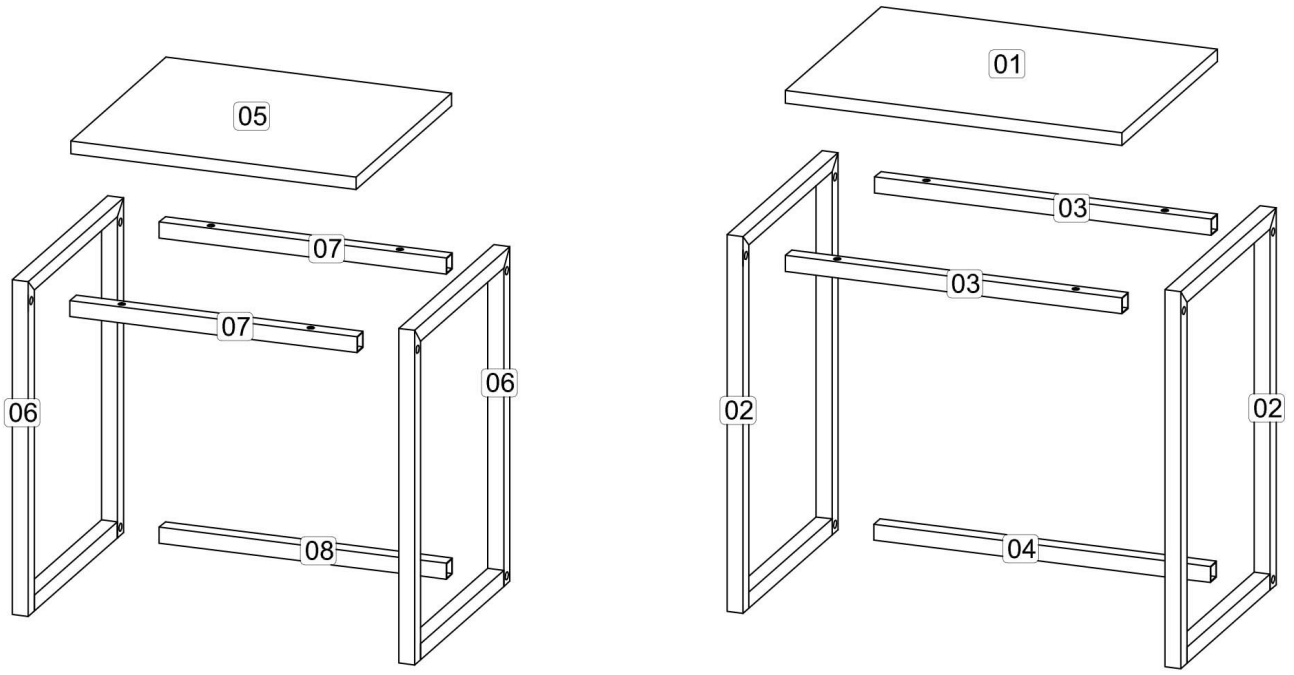
Periodically check all screws & fixings to ensure they are secure.

DO NOT push the nest of table as this will cause damage.

Always lift the nest of table with two people to repositions.

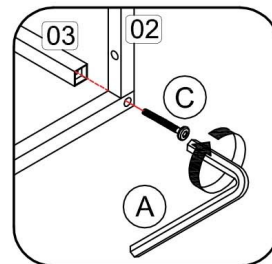
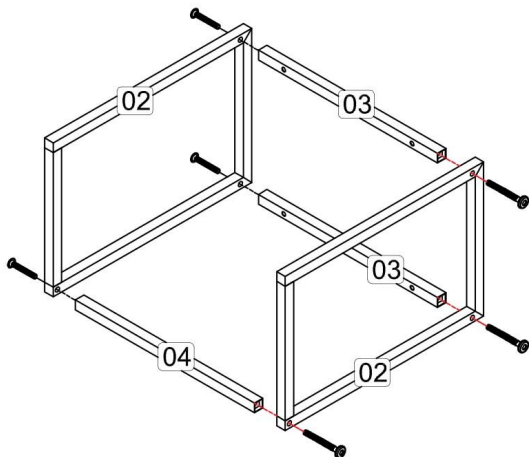
Keep any sharp objects away from the nest of table.



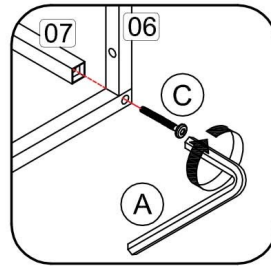
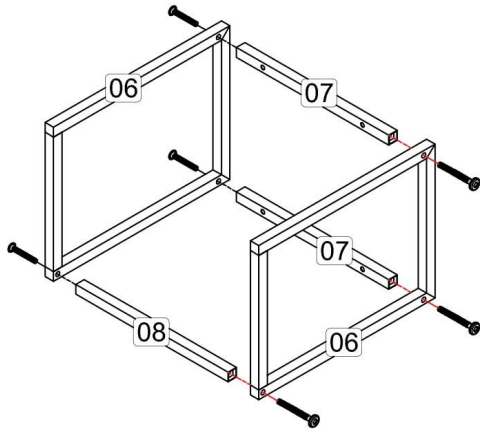


Parts List			Hardware List		
Part	Description	Qty	Part	Description	Qty
01	Big Top panel Big	1	A	Allen key M4	1
02	Big Metal Side (Left & Right)	2	B	JCBC screw M6 x 30mm	8
03	Big Metal Top	2	C	JCBC screw M6 x 40mm	12
04	Big Metal Bottom	1	** You will need a small mallet and a screwdriver for assembly. ** Some screws and wooden dowel may remain.		
05	Small Top panel	1			
06	Small Metal Side (Left & Right)	2			
07	Small Metal Top	2			
08	Small Metal Bottom	1			

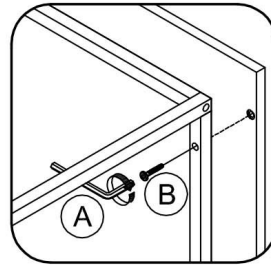
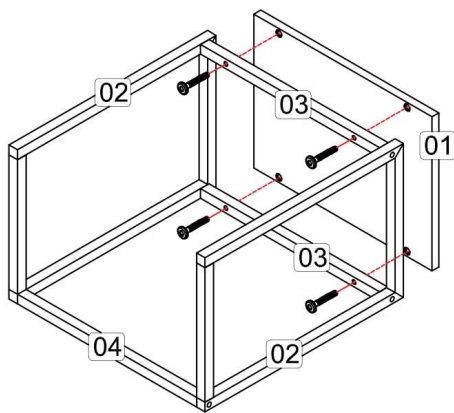
Step 1: Attach the Big Metal Side (2) to Big Metal Top (3) and Big Metal Bottom (4) using hardware A and C.
DO NOT use any power tools as this may damage the frame and will invalidate any claim.



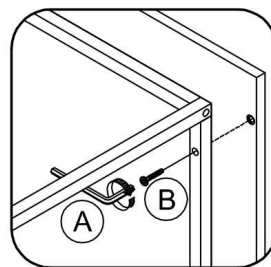
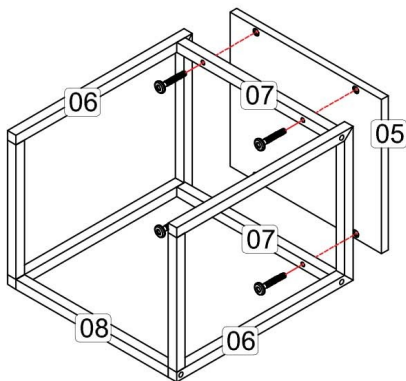
Step 2: Attach the Small Metal Side (6) to Small Metal Top (7) and Small Metal Bottom (8) using hardware A and C.
DO NOT use any power tools as this may damage the frame and will invalidate any claim.



Step 3: Attach the Big Metal Top (3) to Big Top panel (1) using hardware A and B.
DO NOT use any power tools as this may damage the frame and will invalidate any claim.



Step 4: Attach the Small Metal Top (7) to Small Top panel (5) using hardware A and B.
DO NOT use any power tools as this may damage the frame and will invalidate any claim.



Additional Information:

- For complete product information, images and dimension diagrams please visit the website www.birlea.com
- If you have any issues with your item please contact the retailer directly you purchased it from who will be able to resolve any issues with Birlea.
- Why don't you send us photos of your assembled furniture to info@birlea.com to be shared in our #birleahome feature on instagram.



Birlea

Suppliers of inspiration