



## ASSEMBLY INSTRUCTIONS URBAN COFFEE TABLE

**IMPORTANT : READ THESE INSTRUCTIONS CAREFULLY BEFORE ATTEMPTING TO ASSEMBLE OR USE YOUR URBAN COFFEE TABLE.**

**PLEASE KEEP THESE INSTRUCTIONS FOR FUTURE REFERENCE.**

### **ASSEMBLY:**

Assembly should be carried out with this item laying flat, not standing upright.

Assemble on a soft, clean surface to prevent damages.

To erase the numbers printed on the pieces, use the rubber into the accessories pack.

### **HEALTH & SAFETY:**

**DO NOT** use this coffee table if any parts are missing, damaged or worn.

**DO NOT** use this coffee table unless all fixings are secured.

Always use on a level, even surface.

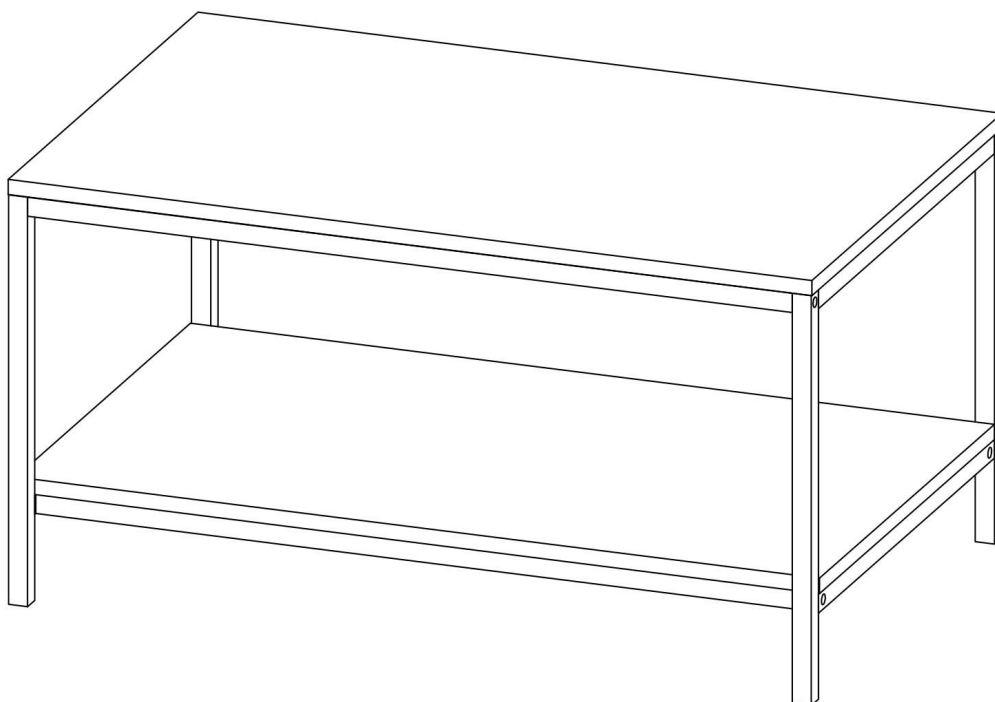
### **CARE & MAINTENANCE:**

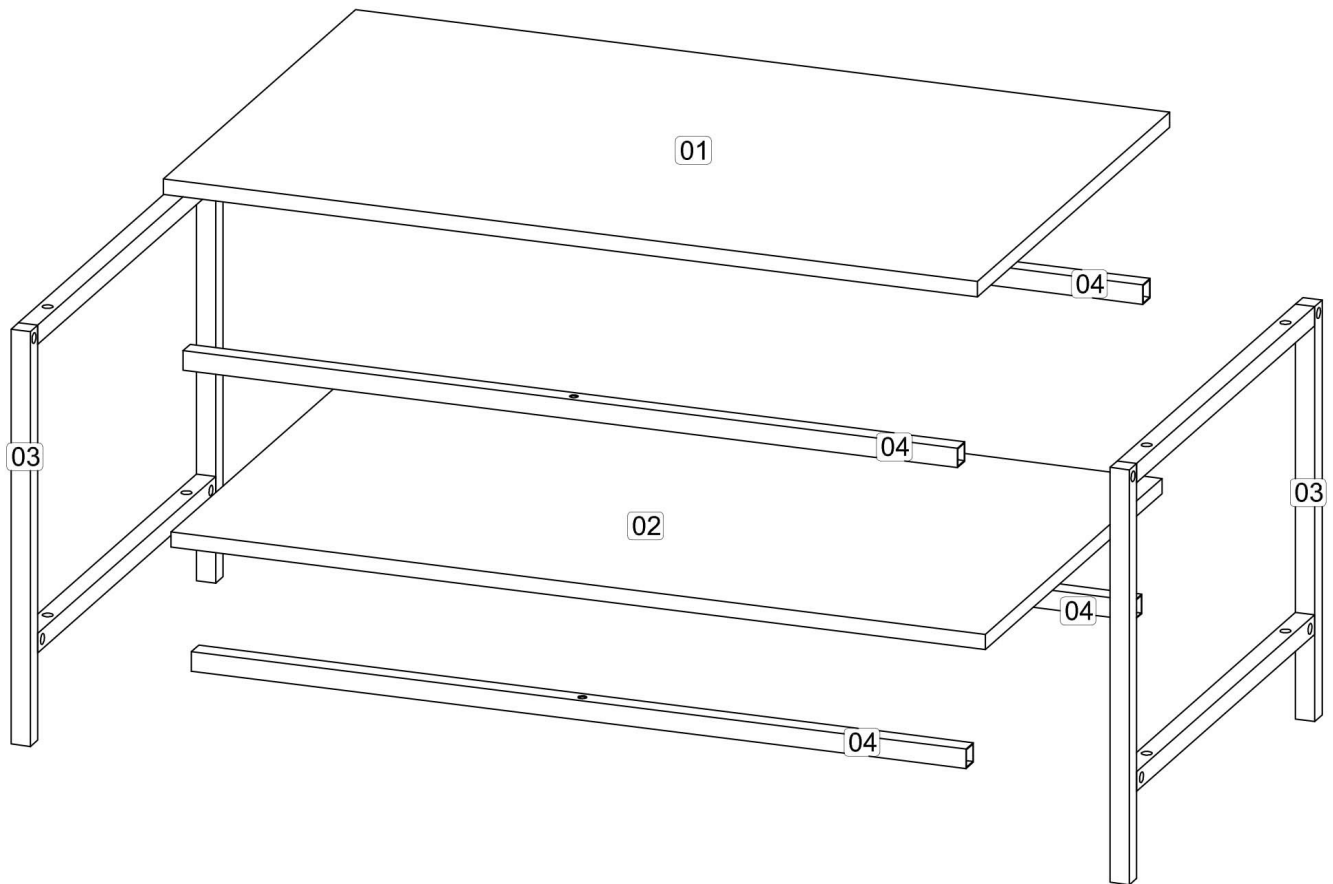
Periodically check all screws & fixings to ensure they are secure.




**DO NOT** push the coffee table as this will cause damage.

Always lift the coffee table with two people to repositions.

Keep any sharp objects away from the coffee table.





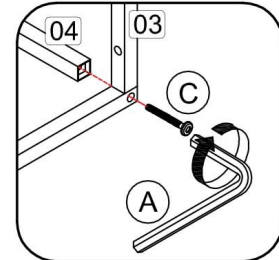
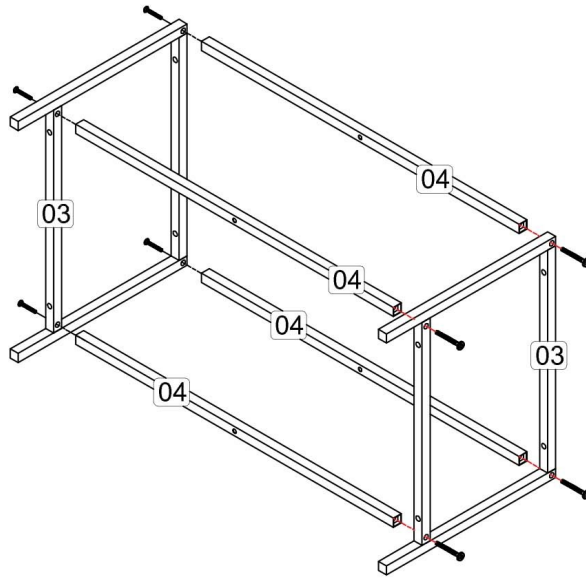
Parts List			Hardware List			
Part	Description	Qty	Part	Description		Qty
01	Top panel	1	A	Allen key M4		1
02	Bottom panel	1	B	JCBC screw M6 x 30mm		12
03	Metal Side ( Left & Right )	2	C	JCBC screw M6 x 40mm		8
04	Metal Middle	4				

**\*\* You will need a small mallet and a screwdriver for assembly.**

**\*\* Some screws and wooden dowel may remain.**

**Step 1:** Attach the Metal Middle (4) to Metal Side (3) using hardware A and C.

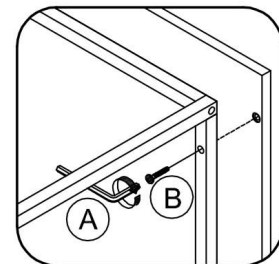
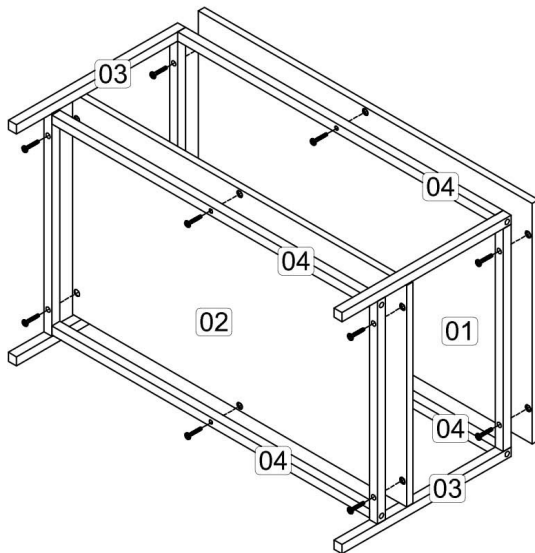
**DO NOT use any power tools as this may damage the frame and will invalidate any claim.**



**Step 2:** Attach the Metal Side (3) to panel (1) using hardware A and B.

Attach the Metal Side (3) to panel (2) using hardware A and B.

**DO NOT use any power tools as this may damage the frame and will invalidate any claim.**



### Additional Information:

- For complete product information, images and dimension diagrams please visit the website [www.birlea.com](http://www.birlea.com)
- If you have any issues with your item please contact the retailer directly you purchased it from who will be able to resolve any issues with Birlea.
- Why don't you send us photos of your assembled furniture to [info@birlea.com](mailto:info@birlea.com) to be shared in our #birleahome feature on instagram.



**Birlea**

Suppliers of inspiration