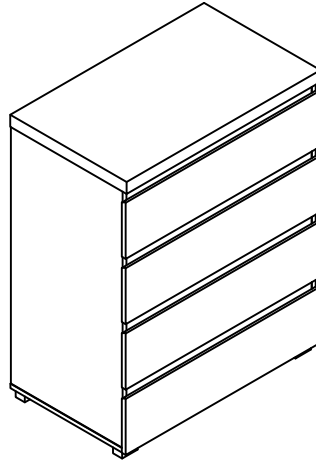


# PURO 4 DRAWER CHEST ASSEMBLY INSTRUCTIONS



## IMPORTANT

### PLEASE READ BEFORE YOU CONTINUE FURTHER

PLEASE KEEP THE ORIGINAL PACKAGING UNTIL THE ITEM IS FULLY ASSEMBLED AND IN PLACE . IN THE UNLIKELY EVENT THAT YOU NEED TO RETURN YOUR PRODUCT , IT MUST BE RETURNED IN ITS ORIGINAL PACKAGING TO AVOID FURTHER DAMAGE .

THE PRODUCT YOU HAVE PURCHASED WILL GIVE YOU MANY YEARS OF SERVICE IF YOU FOLLOW THE GUIDELINES FOR ITS SAFE ASSEMBLY AND PERIODIC MAINTENANCE AND CLEANING.

ASSEMBLE ON A SOFT CLEAN SURFACE.

DO NOT USE ANY TOOLS OTHER THAN THOSE SHOWN.

ANY SPANNERS OR ALLEN KEYS REQUIRED ARE INCLUDED WITH THE FITTINGS KIT. DO NOT FOR ANY REASON USE A POWER TOOL TO ASSEMBLE THIS PRODUCT. ITS USE WILL INVALIDATE ANY CLAIM YOU MAY HAVE AND COULD MAKE THIS PRODUCT UNSAFE.

DEPENDING ON THE AMOUNT OF USE THIS PRODUCT RECEIVES IT MAY BE NECESSARY TO TIGHTEN UP THE FIXINGS FROM TIME TO TIME .THIS IS COMPLETELY NORMAL FOR ANY FLAT PACK FURNITURE.  
DO NOT OVERTIGHTEN FIXINGS.

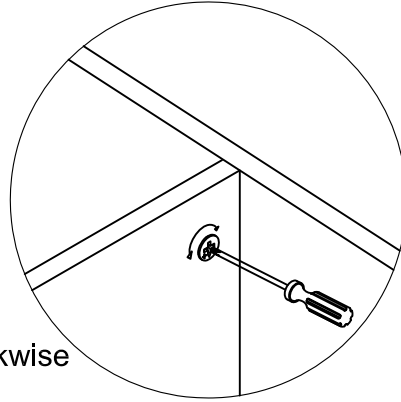
FOR CLEANING, YOU MAY USE A DAMP CLOTH (NOT WET).  
THE SURFACE OF THIS ITEM IS NOT HEAT RESISTANT. ALWAYS USE A PLACE MAT UNDER HOT OR COLD ITEMS TO PREVENT MARKING.

PLEASE DO NOT THROW AWAY ANY PACKAGING UNIT ALL COMPONENTS HAVE BEEN CHECKED.  
IF COMPONENTS ARE MISSING PLEASE CONTACT SUPPLIER IMMEDIATELY.

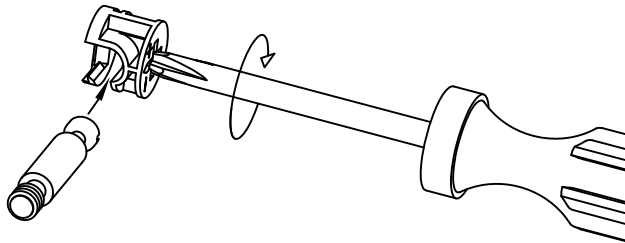


(Screwdriver not provided)

Use a flat blade screwdriver to tighten the cam nuts. A quarter of a turn clockwise is all that is needed.



This is how a cam nut works.....

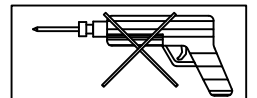


The head of the bolt goes into the wide mouth of the cam nut. You then turn the nut so the narrow part closes over the bolt.

## TWO PERSONS REQUIRED TO ASSEMBLE THIS PRODUCT













1. Please check that you have all the parts listed before you start assembling. If you do find that something is missing, do not continue assembly. Please contact your supplier immediately.
2. Lay out all of the components on a soft surface as if you were preparing to do a jigsaw puzzle.
3. Separate and identify each component, from the hardware pack and rest each one in its proper location before fastening.

THE USE OF POWER TOOLS TO ASSEMBLE THIS PRODUCT WILL INVALIDATE ANY CLAIM AND ANY DAMAGE THIS PRODUCT MAKING IT UNSAFE

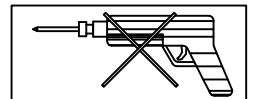




## HARDWARE LIST




A		Ø6x30MM DOWEL	8 PCS	P		PLASTIC BUTTON	14 PCS
B		Ø8x30MM DOWEL	16 PCS	Q		Ø3x20 SCREW	14 PCS
C		Ø6.2x35 CAM BOLT	46 PCS				
D		Ø12 CAM LOCK	24 PCS				
E		Ø15 CAM LOCK	22 PCS				
F		4MM ALLEN KEY	1 PC				
G		Ø3.5x25 SCREW	20 PCS				
H		Ø3.5x31 SCREW	8 PCS				
I		L=150 WALL STRAP	1 PC				
J		WALL FITTING SCREW	1 PC				
K		Ø3.5x19 SCREW	1 PC				
L		Ø3.5x38 SCREW	1 PC				
M		M6x16 FLAT WASHER	2 PCS				
N		L=285 RUNNER	8 PCS				
O		Ø3x10 SCREW	48 PCS				

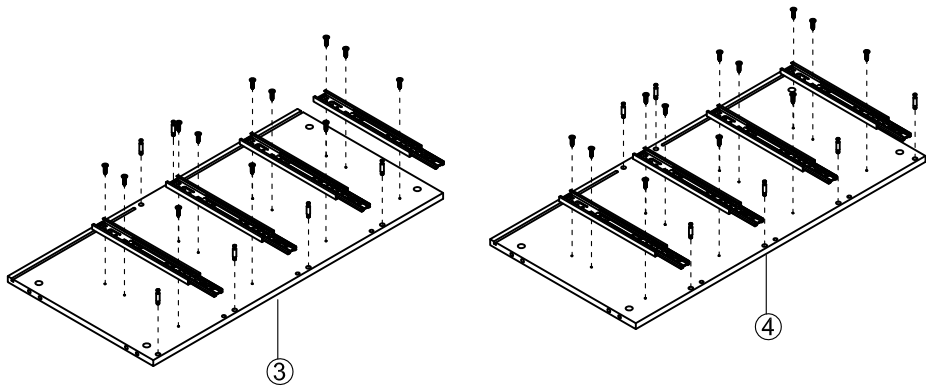
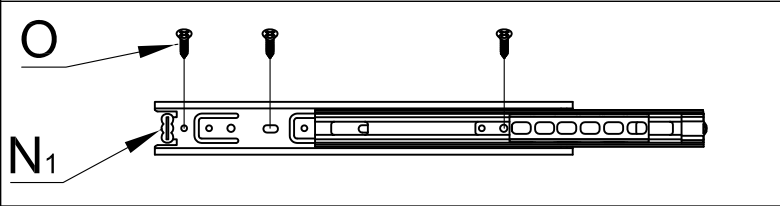
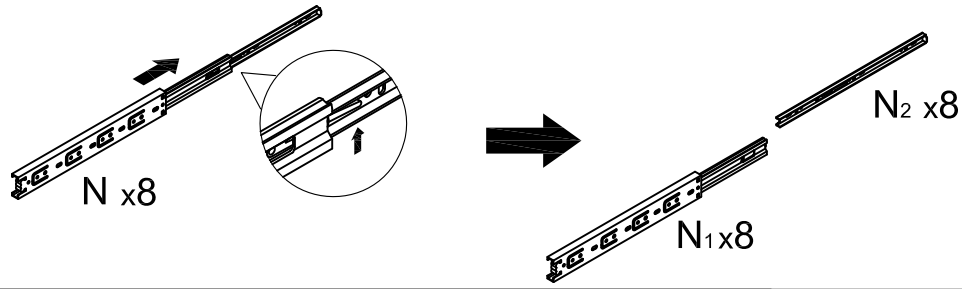
THE USE OF POWER TOOLS TO ASSEMBLE THIS PRODUCT WILL INVALIDATE ANY CLAIM AND ANY DAMAGE THIS PRODUCT MAKING IT UNSAFE



### STEP 1

You will need:

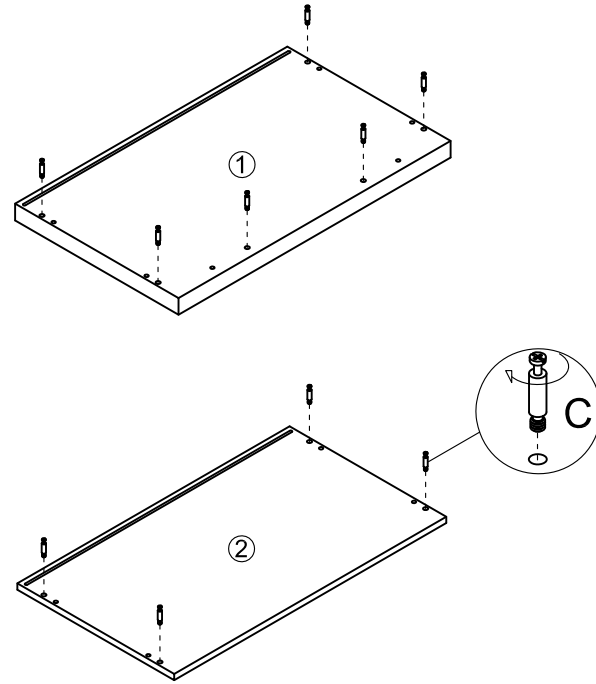
C		12 PCS
N <sub>1</sub>		8 PCS
O		24 PCS



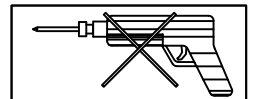
### STEP 2

You will need:

C		10 PCS
---	---	--------






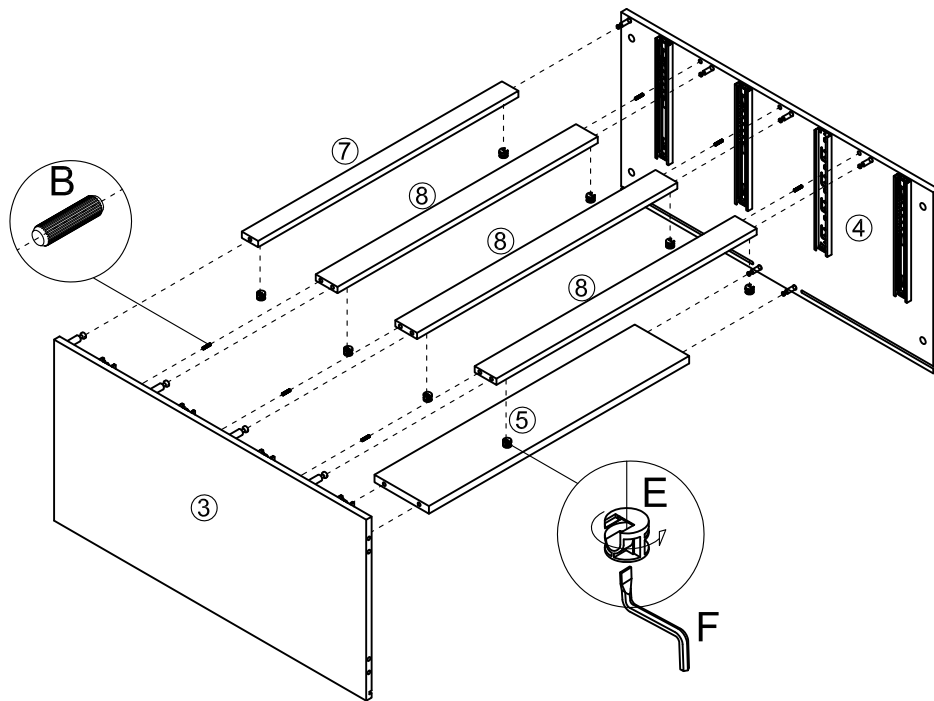
THE USE OF POWER TOOLS TO ASSEMBLE THIS PRODUCT WILL INVALIDATE ANY CLAIM AND ANY DAMAGE THIS PRODUCT MAKING IT UNSAFE



### STEP 3

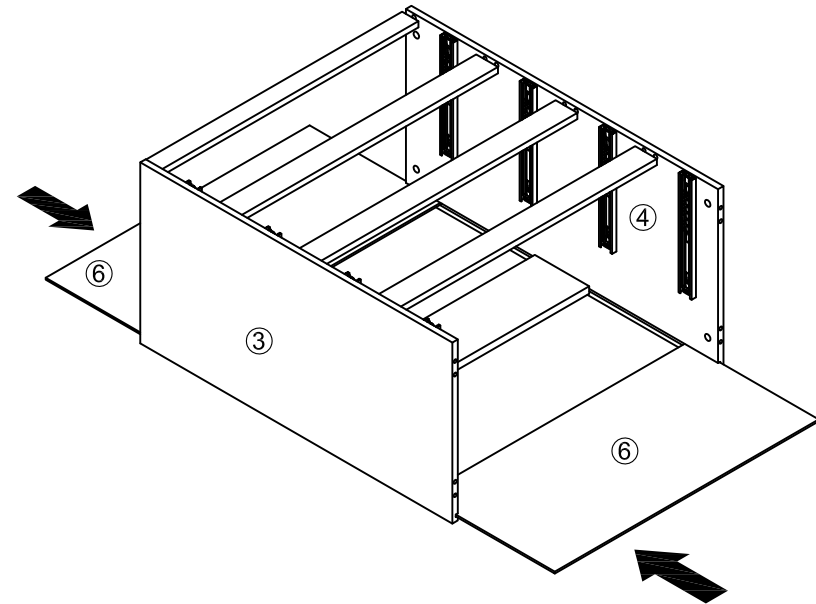
You will need:

B		6 PCS
E		8 PCS
F		1 PC

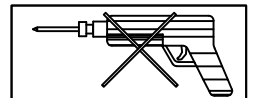


### STEP 4

You will need:






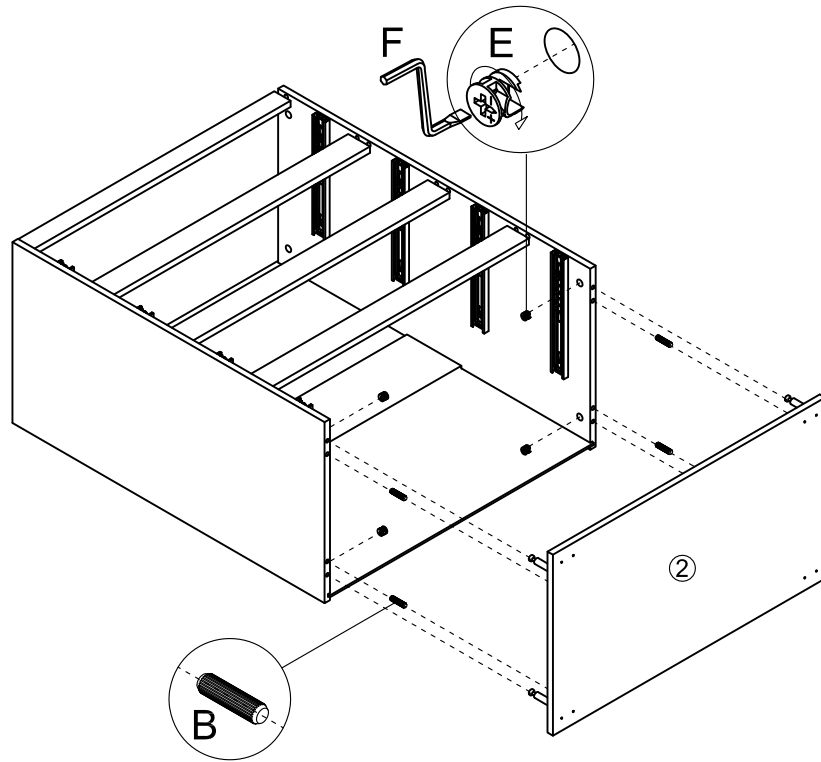
THE USE OF POWER TOOLS TO ASSEMBLE THIS PRODUCT WILL INVALIDATE ANY CLAIM AND ANY DAMAGE THIS PRODUCT MAKING IT UNSAFE



### STEP 5

You will need:

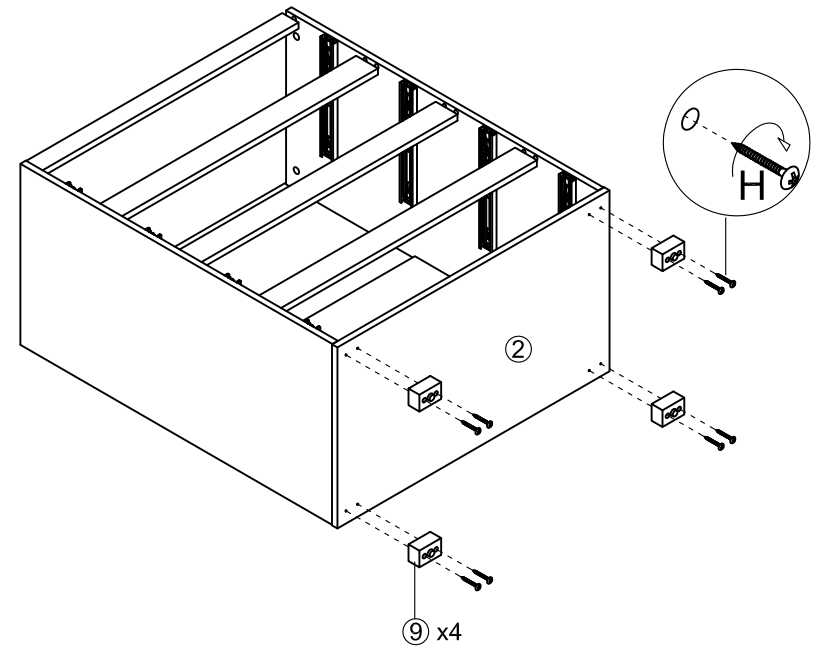
B		4 PCS
E		4 PCS
F		1 PC



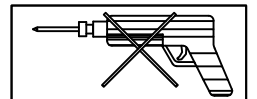
### STEP 6

You will need:

H		8 PCS
---	---	-------






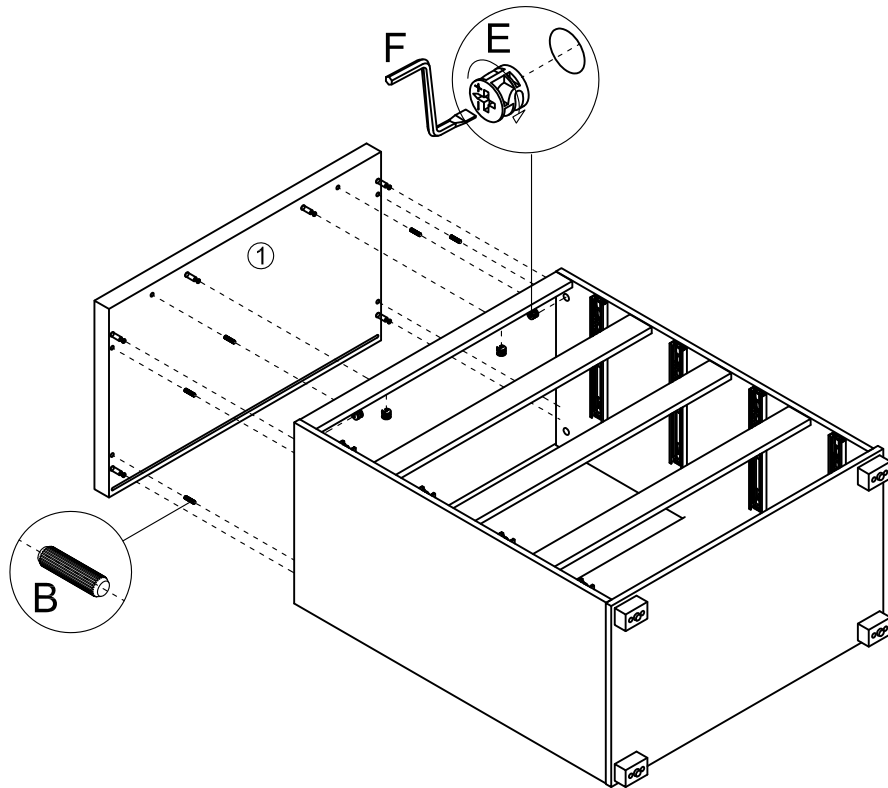
THE USE OF POWER TOOLS TO ASSEMBLE THIS PRODUCT WILL INVALIDATE ANY CLAIM AND ANY DAMAGE THIS PRODUCT MAKING IT UNSAFE



## STEP 7





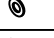


You will need:

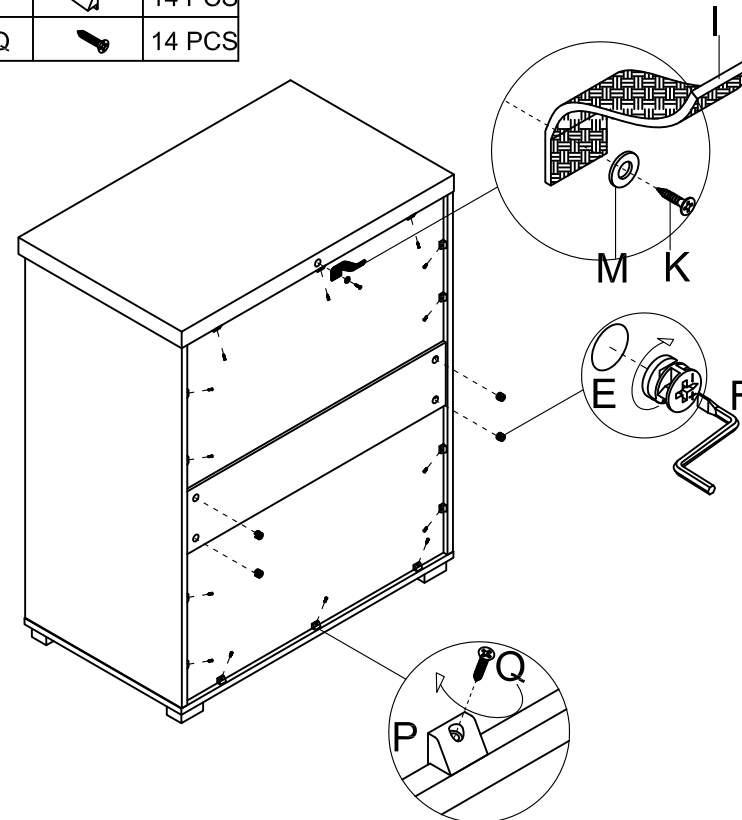
B		6 PCS
E		6 PCS
F		1 PC



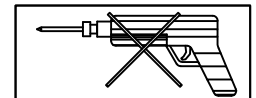
## STEP 8

You will need:

E		4 PCS
F		1 PC
I		1 PC
K		1 PC
M		1 PC
P		14 PCS
Q		14 PCS








THE USE OF POWER TOOLS TO ASSEMBLE THIS PRODUCT WILL INVALIDATE ANY CLAIM AND ANY DAMAGE THIS PRODUCT MAKING IT UNSAFE

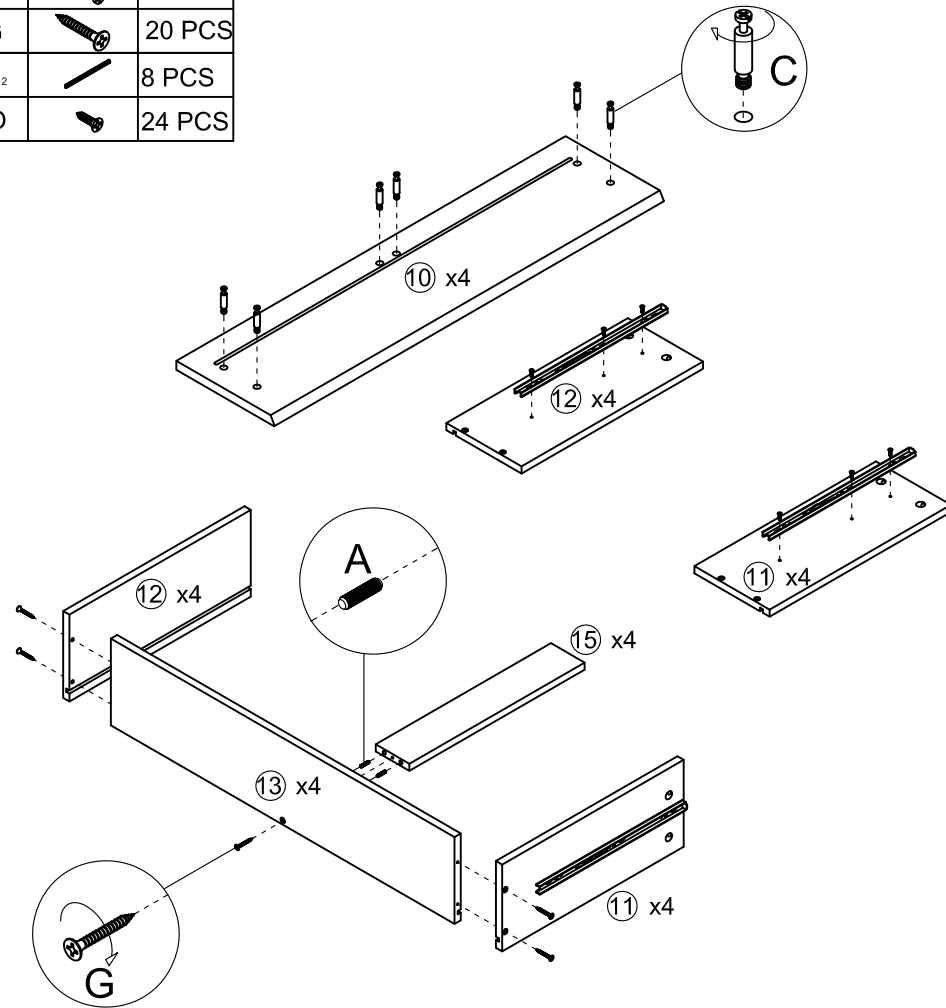
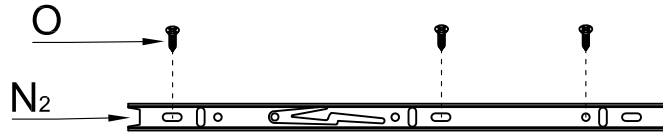




### STEP 9



You will need:

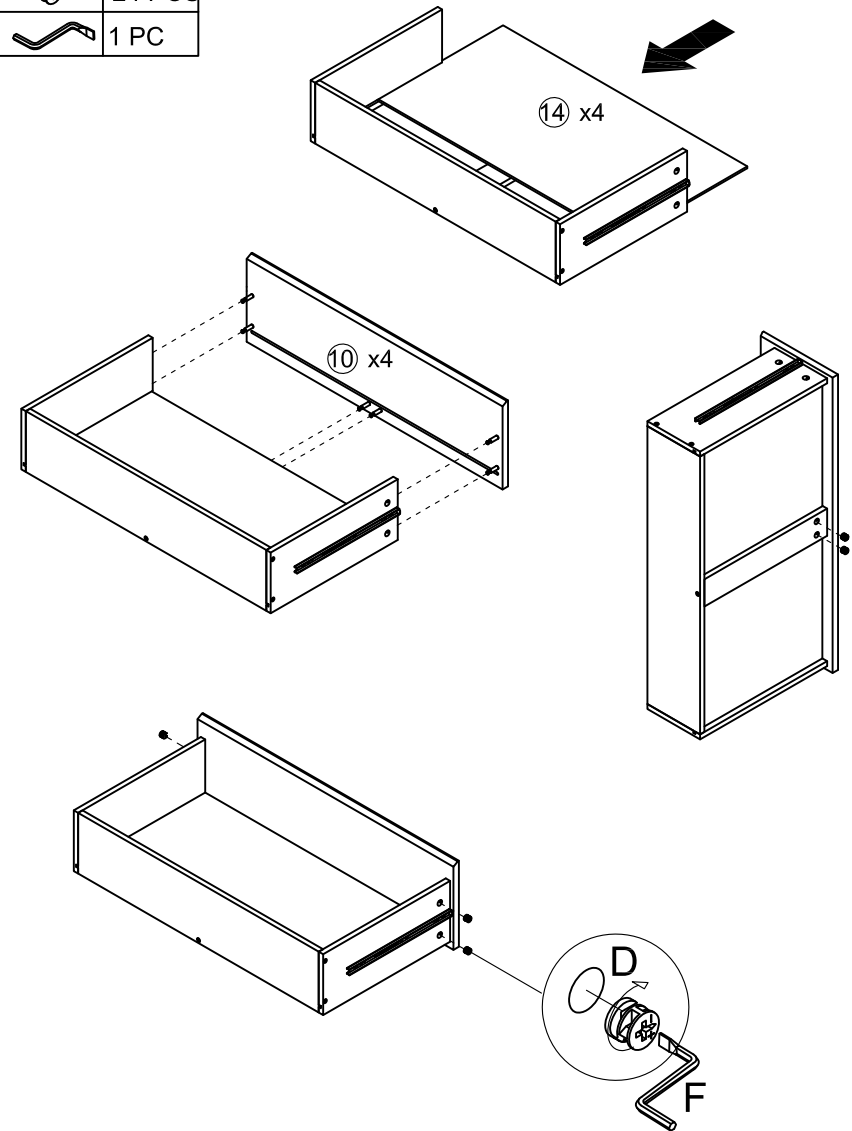
A		8 PCS
C		24 PCS
G		20 PCS
N <sub>2</sub>		8 PCS
O		24 PCS



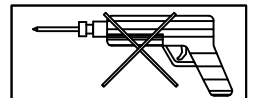
### STEP 10

You will need:

D		24 PCS
F		1 PC

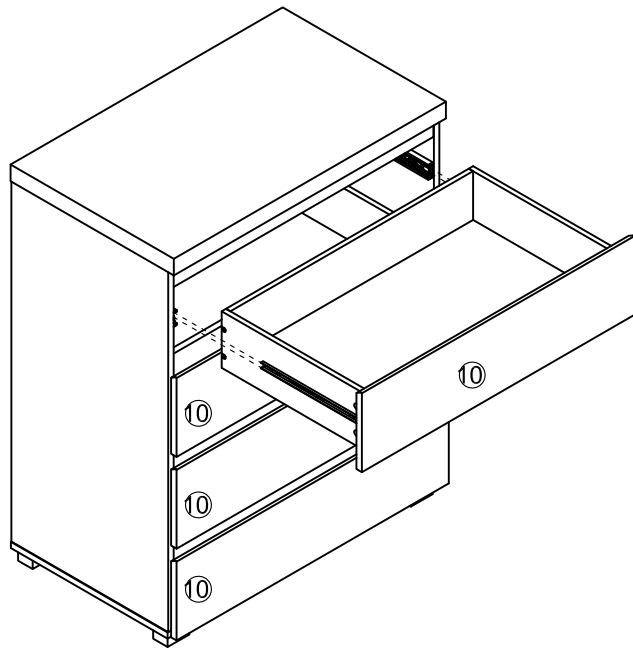


THE USE OF POWER TOOLS TO ASSEMBLE THIS PRODUCT WILL INVALIDATE ANY CLAIM AND ANY DAMAGE THIS PRODUCT MAKING IT UNSAFE






### STEP 11

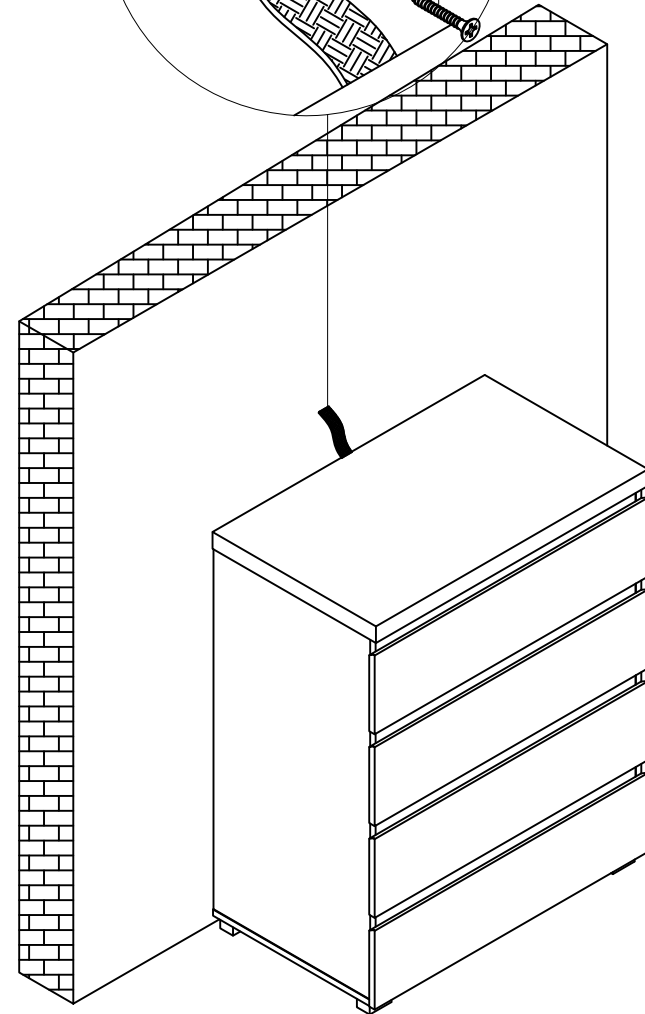
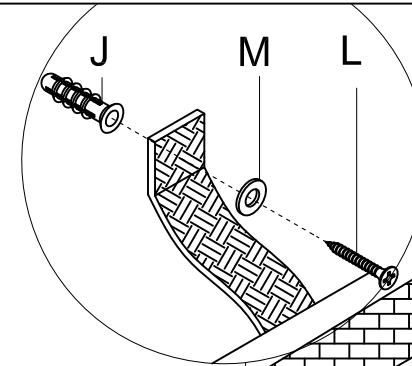
You will need:



### STEP 12

You will need:

J		1 PC
L		1 PC
M		1 PC



THE USE OF POWER TOOLS TO ASSEMBLE THIS PRODUCT WILL INVALIDATE ANY CLAIM AND ANY DAMAGE THIS PRODUCT MAKING IT UNSAFE

