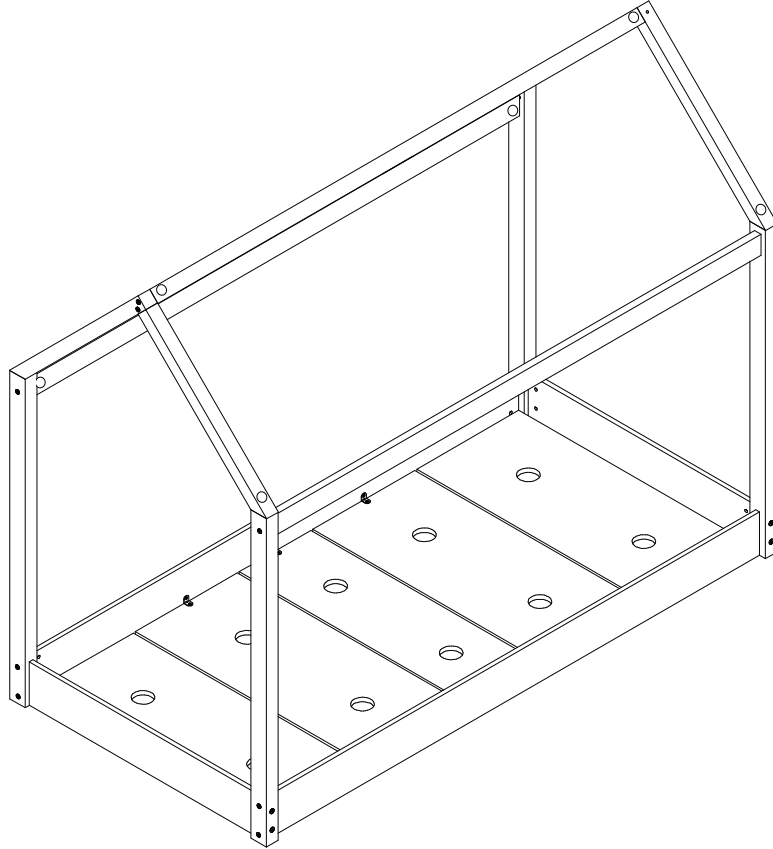



HICKORY BED

Assembly Instructions - Please keep for future reference








PLEASE KEEP THE ORIGINAL PACKAGING UNTIL THE ITEM IS FULLY ASSEMBLED AND IN PLACE. IN THE UNLIKELY EVENT THAT YOU NEED TO RETURN YOUR PRODUCT, IT MUST BE RETURNED IN ITS ORIGINAL PACKAGING TO AVOID FURTHER DAMAGE. FAILURE TO COMPLY TO THESE PROCEDURES, NO RETURN'S WILL BE ACCEPTED.



No. people	Assembly Time
	30 minute (approx.)

" SHOULD IT BE NECESSARY TO RETURN THIS PRODUCT FOR ANY REASON, IT MUST BE RETURNED IN ITS ORIGINAL PACKAGING"

Important: Read carefully

-  Please check you have all parts listed on your assembly sheet. In the unlikely event that any parts are missing, please contact your retailer immediately.
-  Do not use any other tools than those listed on your assembly sheet / tools provided. Use of power tools could damage your product and returns would not be accepted back in these circumstances. Use of power tools could also make your product unsafe due to overtightening.
-  Depending on the amount of use your product receives, it may be necessary to tighten the fixings from time to time.
-  Assemble your product on a soft surface to avoid scratching and also preferably in the room intended for use to avoid having to move the product unnecessarily once assembled.
-  For cleaning please use a clean damp cloth or duster. Use of abrasive or chemical cleaners will most likely scratch or damage the surface of your product. We do not accept returns for damages arising from incorrect care of products.
-  Please keep the original packing until your item is fully assembled and in place. In the unlikely event you need to return your product. It must be returned back in its original packing to avoid any damage.
-  The surface of this item is not heat resistant. Please use a mat under hot, cold or wet items to prevent marking.

IMPORTANT : KEEP THIS ASSEMBLY INSTRUCTION FOR FUTURE REFERENCE

Top Tips before you start!

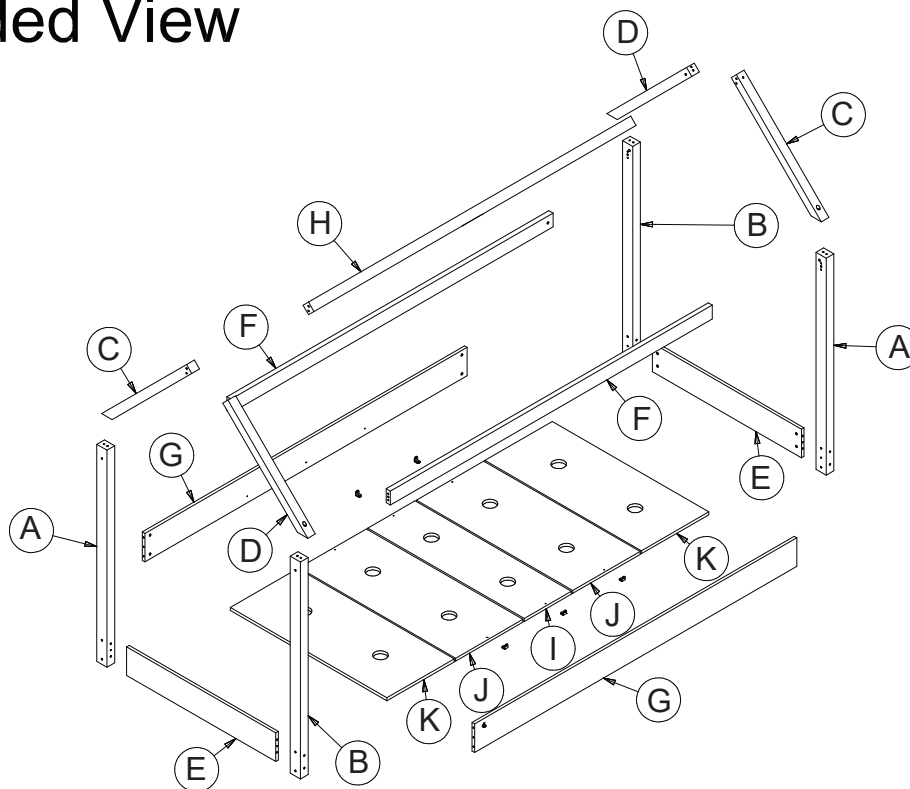
- 1. Please check that all parts are present before you start the assembly of your furniture, as once assembled, the furniture is exempt from our home approval policy.**
- 2. For ease and speed of assembly, we recommend that before you commence each step of the assembly, that you identify all the parts required for that step.**
- 3. For larger items, please ensure that you have sufficient space and people (as indicated on page 1) to assemble your product safely.**
- 4. We recommend that, where possible, all items are assembled near to the area in which they will be placed in used, to avoid moving the product unnecessarily once assembled.**
- 5. For the protection of your furniture, particularly items of high gloss finish, we recommend that the product is placed on a protected surface during assembly to prevent any damage.**
- 6. During assembly please take care not to over-tighten any fittings, as this may damage the product.**
- 7. WARNING : Once assembled this bed is not designed for Dis-Assembly and Re-Assembly.**

Care and Maintenance of your Furniture

- **Please periodically check all fittings and re-tighten as necessary.**
- **Please do not jump on your furniture.**
- **To clean your item, please use a damp cloth and wipe clean.**
- **Never allow any kind of liquid to remain on your furniture. Absorption can cause wood to warp or finishes to de-laminate.**
- **Please check that the center support rail is securely fit in place.**
- **This Child's bed conforms to BS8509:2008+A1:2011**
- **The Child's bed is intended for children above 4 years old.**
- **This size of the mattress to be used with child's bed is 920mmx1920mmx152mm.**
- **This child's bed should not be placed too close to other furniture or windows, and should be placed either tight against a wall or have a gap of 300mm between the wall and the side of the bed.**
- **WARNING. Do not place this child's bed near heat sources, windows and other furniture.**
- **WARNING. Do not use this child's bed if any parts is broken, torn or missing.**
- **WARNING. Assembly by adult only.**
- **WARNING. Not suitable for children under 4 years.**

IF THE ROOM YOU PLAN TO USE YOUR NEW BED IN HAS A LAMINATE OR WOOD FLOOR, WE HIGHLY RECOMMEND YOU PURCHASE SOME ANTI-SKID PADS TO FIT TO THE UNDERSIDE OF THE FEET OF THE BED. FLOORS OF THIS NATURE OFFER ON GRIP, WHICH OVER A SMALL PERIOD OF TIME CAN RESULT IN THE BED FITTINGS & COMPONENTS COMING LOSE OR BREAKING ALTOGETHER DUE TO THEM SLOWLY SLIPPING ON THE FLOOR. THESE GRIPS WILL ALSO PROTECT YOUR FLOOR FROM ANY MARKING THAT MAY BE CAUSED BY YOUR FURNITURE SLIPPING IN THIS MANNER. THESE PADS CAN BE BOUGHT FROM MOST GOOD DIY SHOPS OR SUPERSTORES AND ARE RELATIVELY INEXPENSIVE

Exploded View



Components - Panels


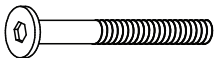







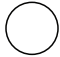
Please check that you have all the components listed below before constructing your items.

Part No	Description	Qty
A	Post Left	2
B	Post Right	2
C	Roof Headboard Right	2
D	Roof Headboard Left	2
E	Heaboard Panel	2
F	Top Bar	2
G	Side Panel	2
H	Top Centre Bar	1
I	Bed Base Small Centre	1
J	Bed Base End	2
K	Bed Base Centre	2

Components - Fixings

Please check that you have all the components listed below before constructing your items.

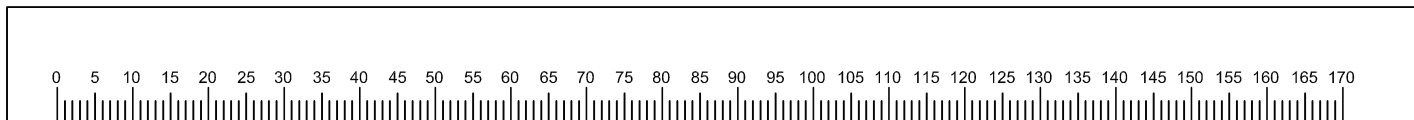
Note: The quantities below are the correct amount to complete the assembly. In some cases more fittings may be supplied than are required.

(A)	Dowel D6x30mm	(B)	JCBC M6x70mm	(C)	JCBC M6x90mm	(D)	JCBC M6x100mm
							
	22 units		4 units		18 units		8 units
(E)	Barrel Nut	(F)	2mm L Bracket	(G)	Screw M3.5x15mm	(H)	Nylon Nail Leg
							
	30 units		6 units		12 units		30 units
(I)	Allen Key M4	(J)	Round Sticker D26				
							
	1 units		14 units				

Tools Required



Ruler - Use this to measure your screws (mm)

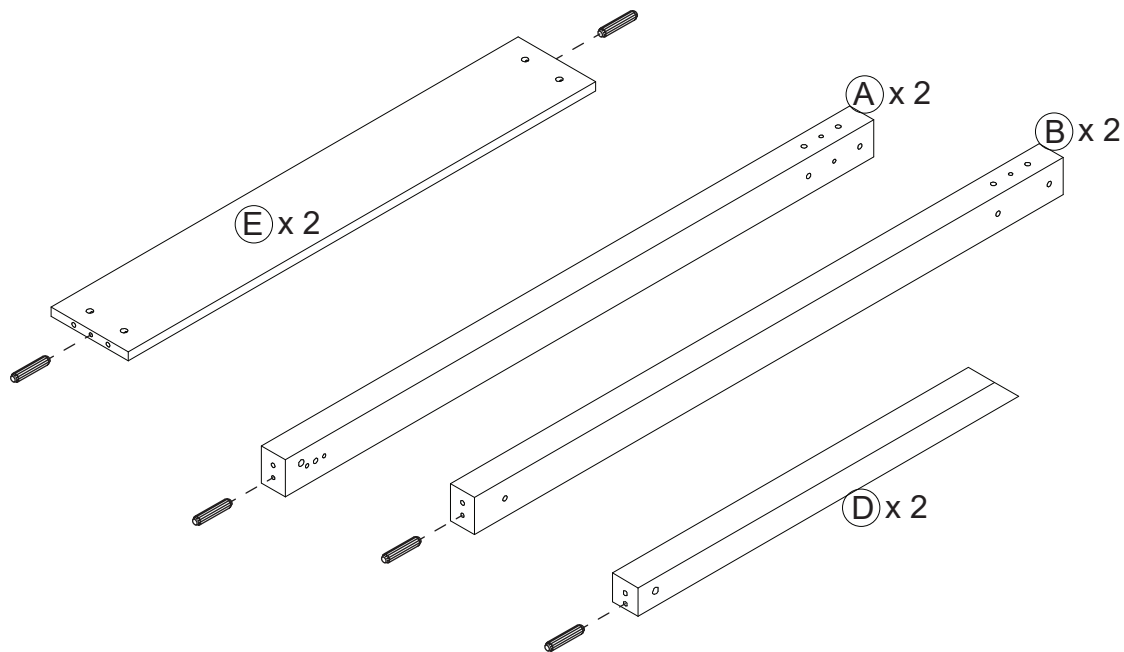


Assembly Instructions

Step 1



A x 10



Step 2



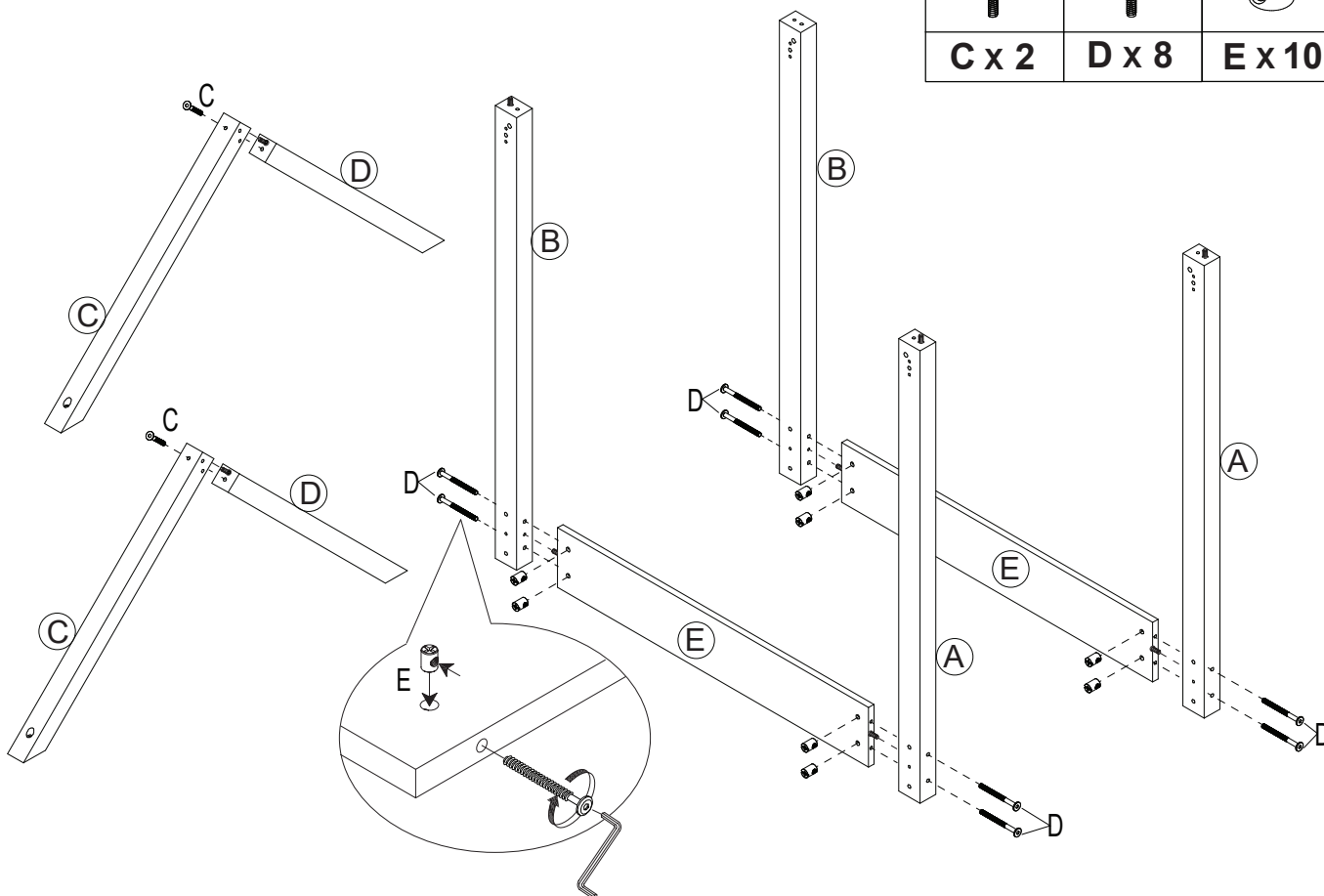
C x 2



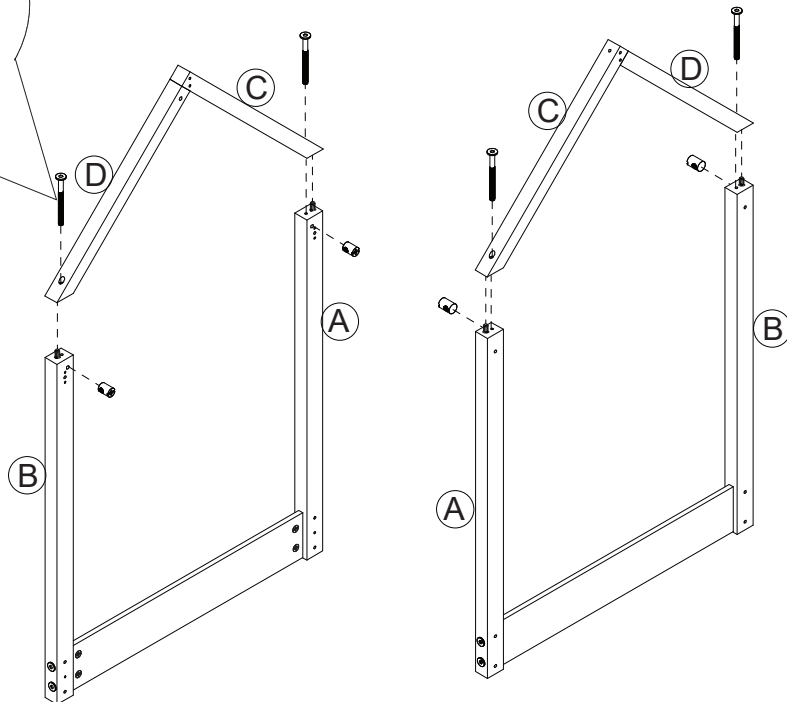
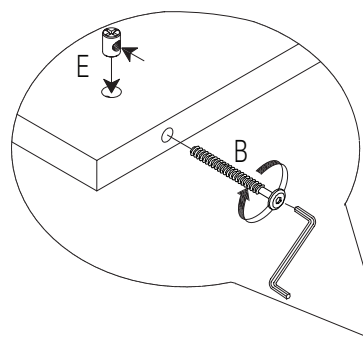
D x 8





E x 10




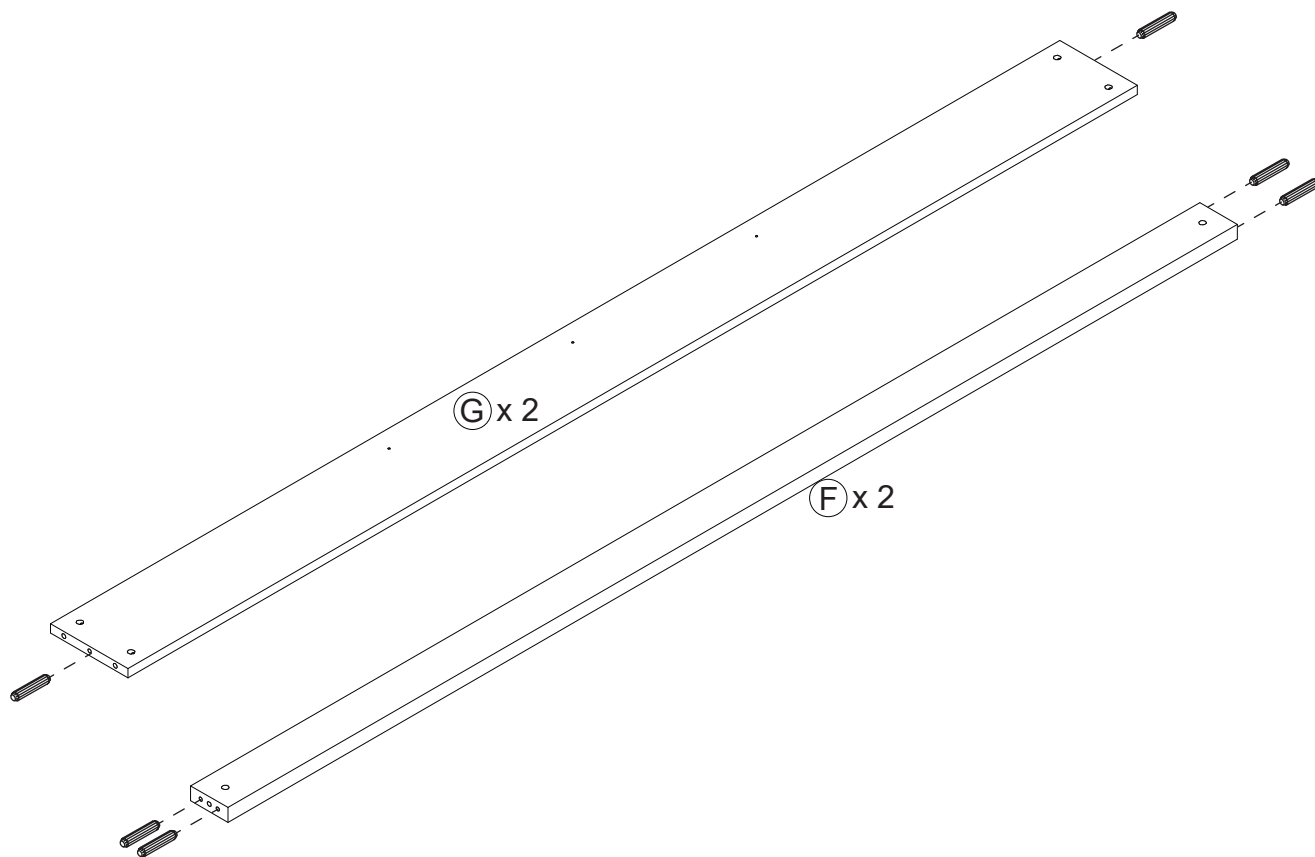
Step 3



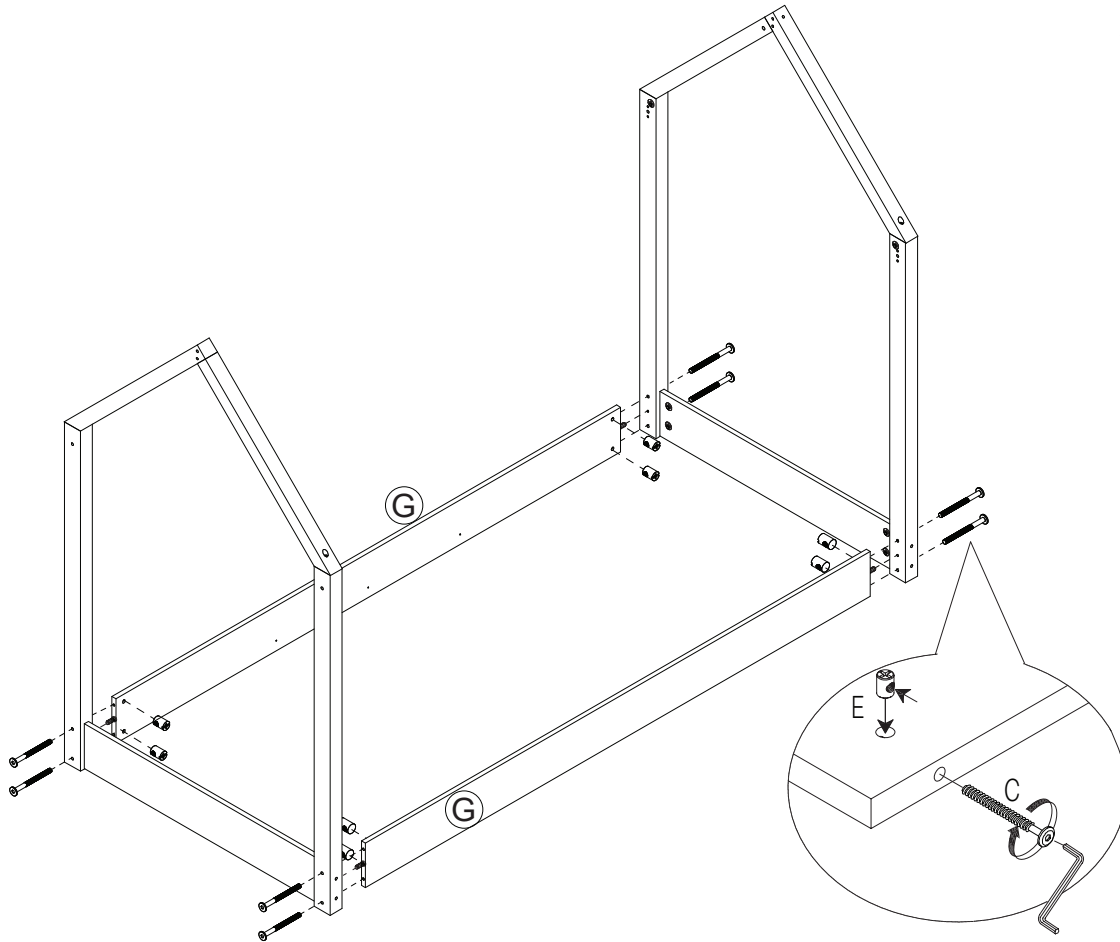
	
B x 4	E x 4



Step 4

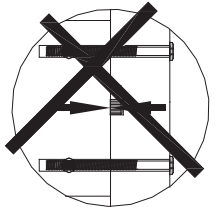
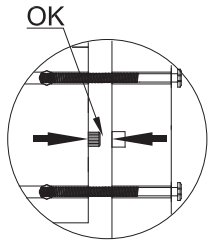
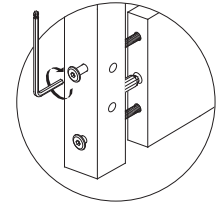

A x 12



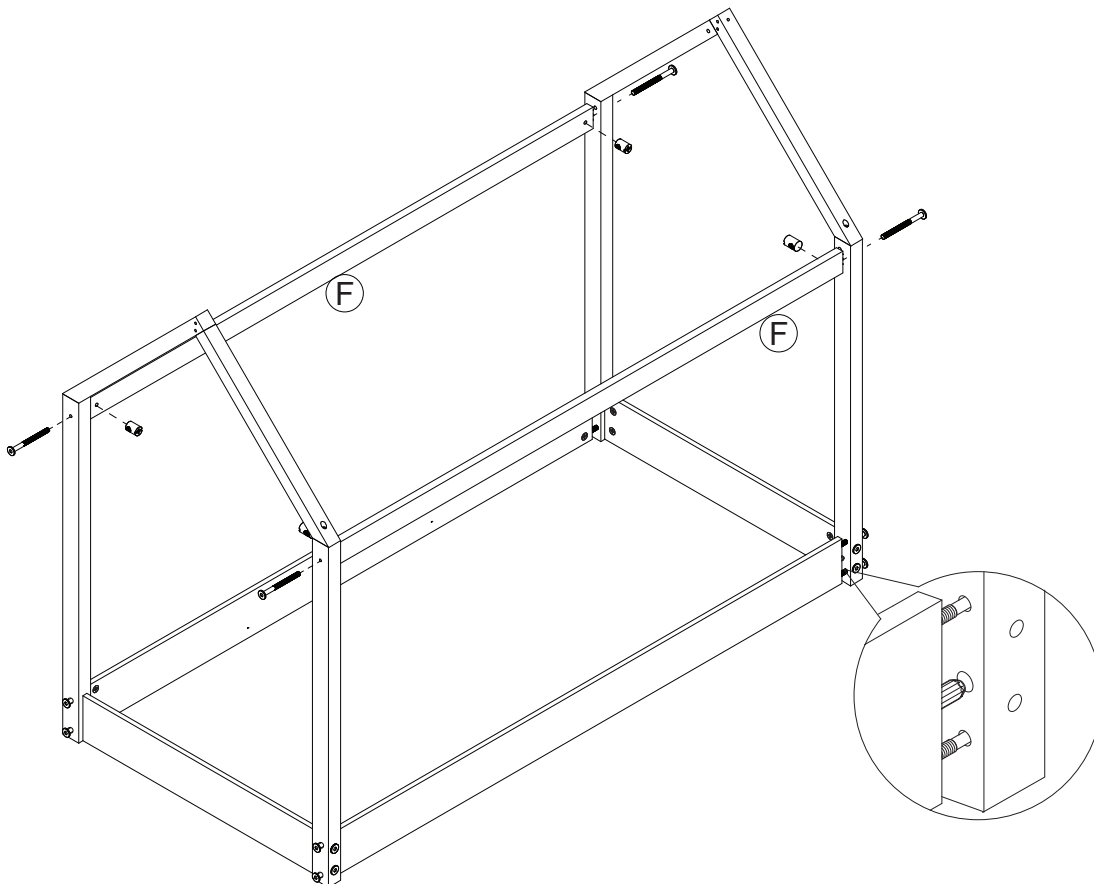
Step 5





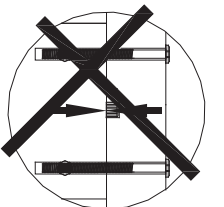
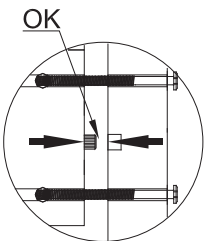
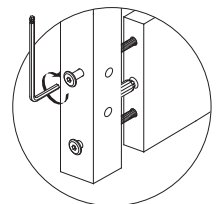
	
C x 8	E x 8



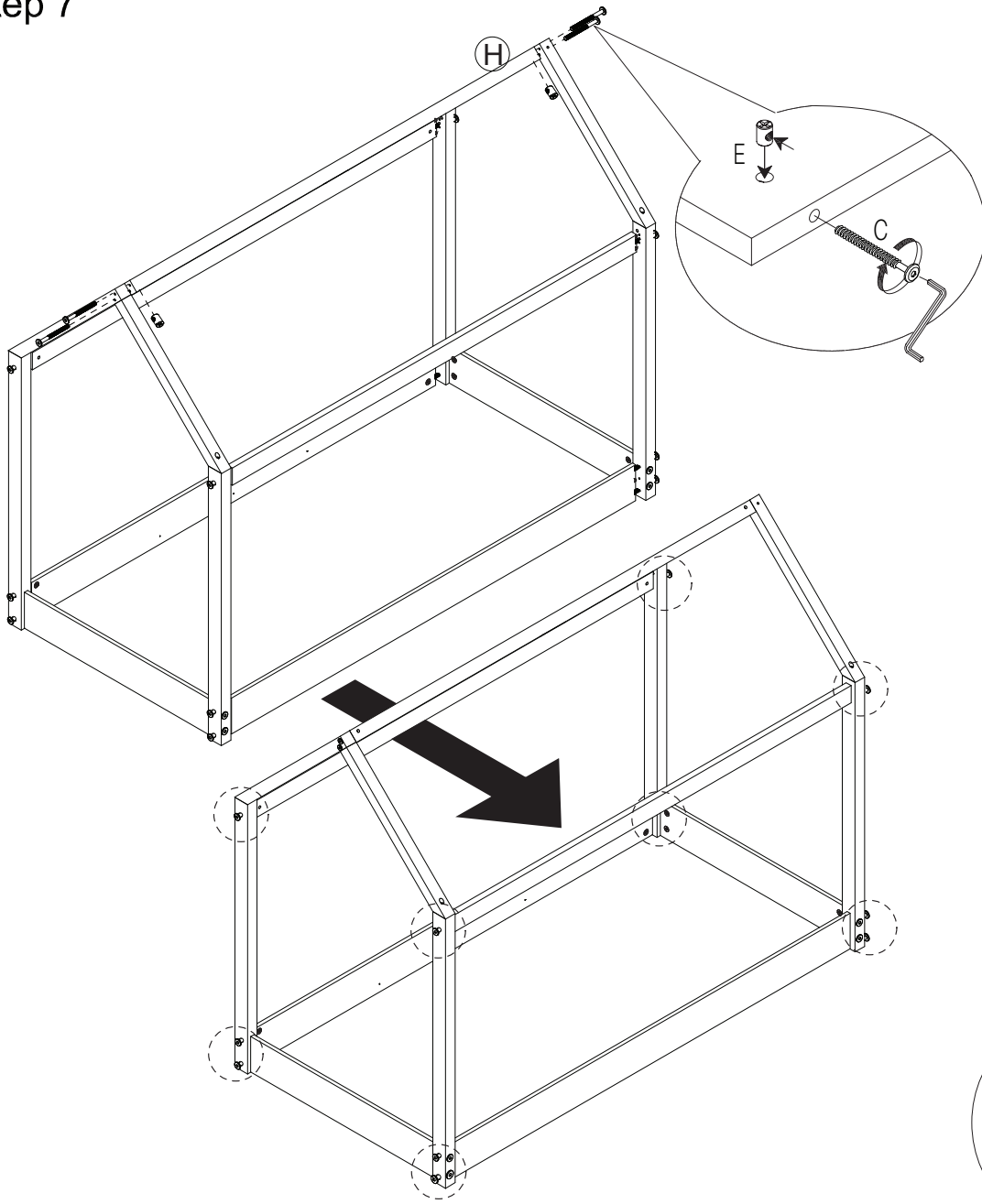
Step 6





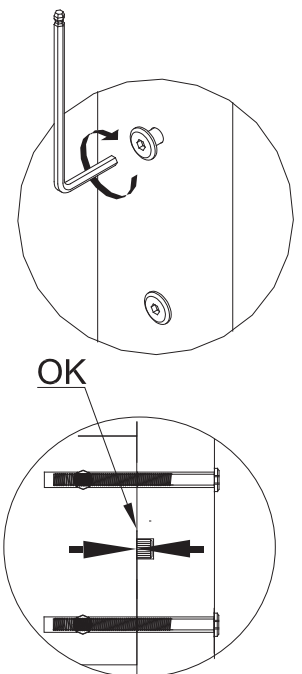
	
C x 4	E x 4



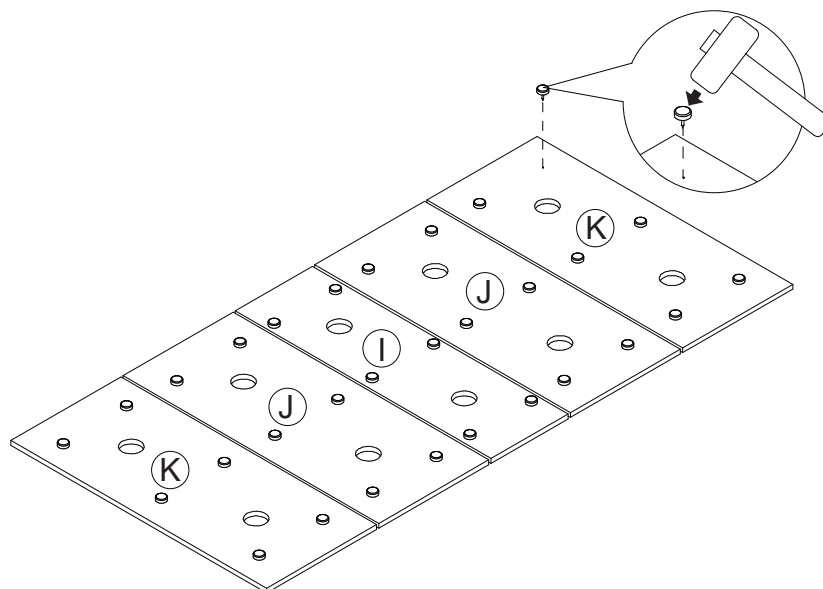
Step 7




	
C x 4	E x 4

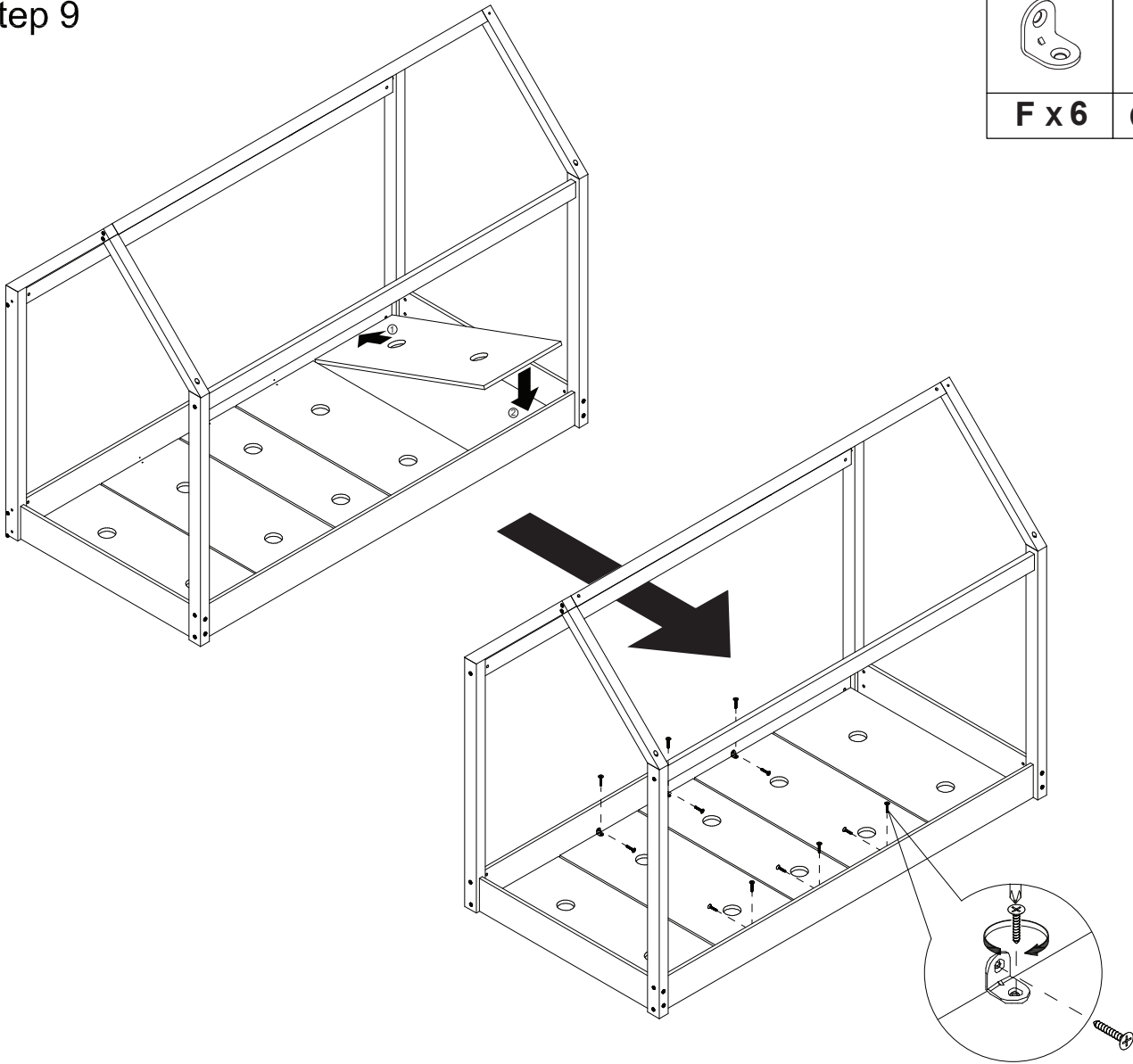




Step 8



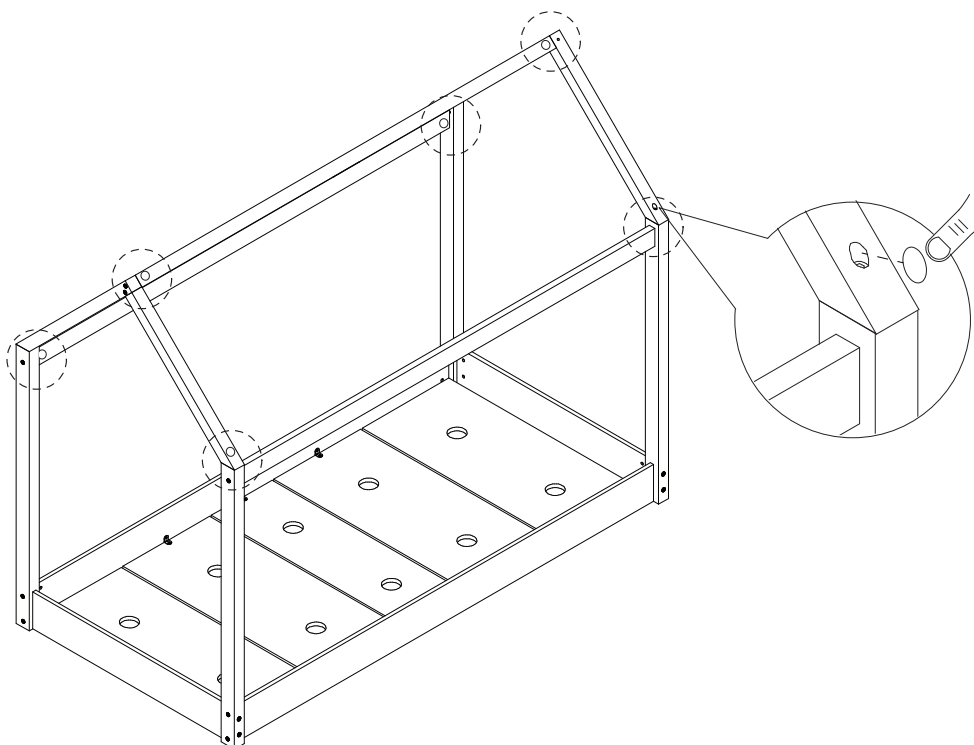

H x 30

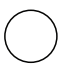
Step 9



	
F x 6	G x 12

Step 10




J x 14