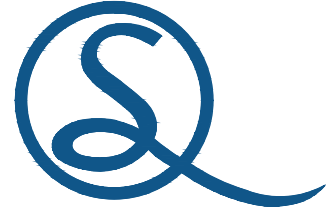
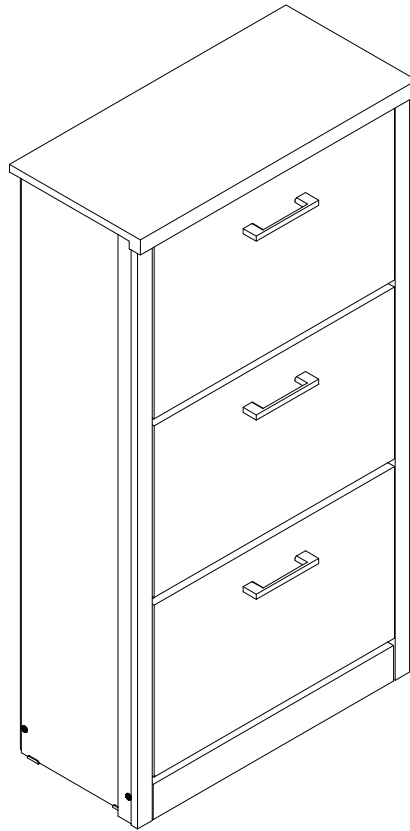
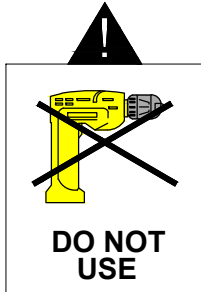


BLACK WOOD GRAIN LISBON SHOE CABINET ASSEMBLY INSTRUCTIONS



**IMPORTANT
FOR DOMESTIC USE ONLY
PLEASE READ BEFORE YOU CONTINUE FURTHER**

THE PRODUCT YOU HAVE PURCHASED WILL GIVE YOU MANY YEARS OF SERVICE IF YOU FOLLOW THE GUIDELINES FOR ITS SAFE ASSEMBLY AND PERIODIC MAINTENANCE AND CLEANING.

ASSEMBLE ON A SOFT CLEAN SURFACE.

DO NOT USE ANY TOOLS OTHER THAN THOSE SHOWN.

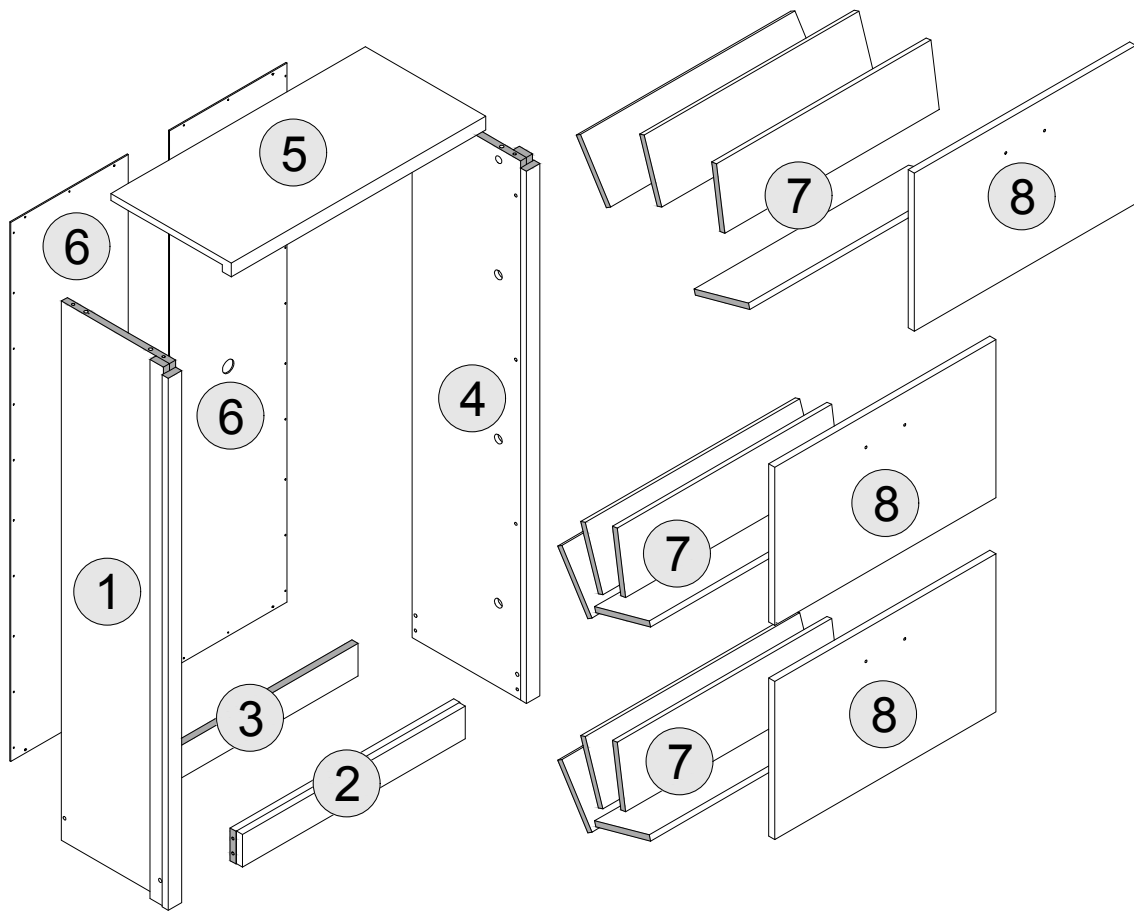
ANY SPANNERS OR ALLEN KEYS REQUIRED ARE INCLUDED WITH THE FITTINGS KIT.

DO NOT FOR ANY REASON USE A POWER TOOL TO ASSEMBLE THIS PRODUCT. ITS USE WILL INVALIDATE ANY CLAIM YOU MAY HAVE AND COULD MAKE THIS PRODUCT UNSAFE.

DEPENDING ON THE AMOUNT OF USE THIS PRODUCT RECEIVES IT MAY BE NECESSARY TO TIGHTEN UP THE FIXINGS FROM TIME TO TIME. THIS IS COMPLETELY NORMAL FOR ANY FLAT PACK FURNITURE.
DO NOT OVERTIGHTEN FIXING.

FOR CLEANING, YOU MAY USE A DAMP CLOTH (NOT WET)
DO NOT USE POLISH, DETERGENT OR CHEMICAL CLEANERS.


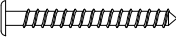
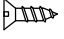
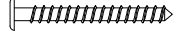





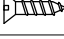







THE SURFACE OF THIS ITEM IS NOT HEAT RESISTANT. ALWAYS USE A PLACE MAT UNDER HOT OR COLD ITEMS TO PREVENT MARKING.

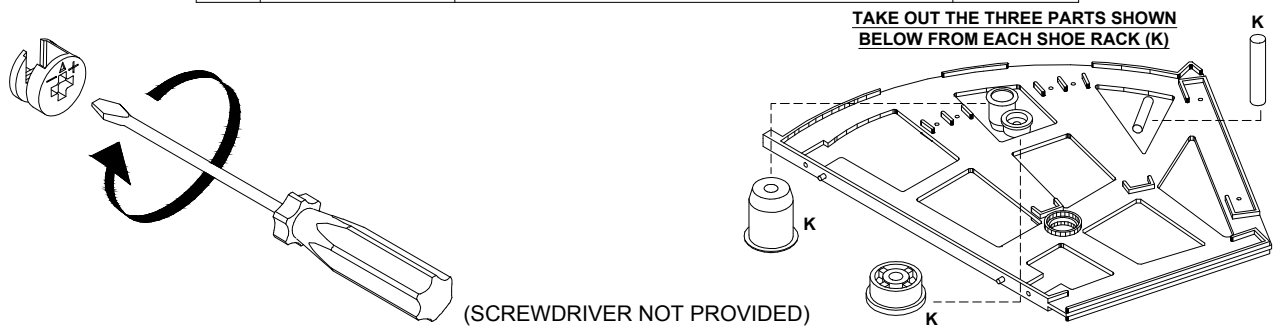


PART LIST

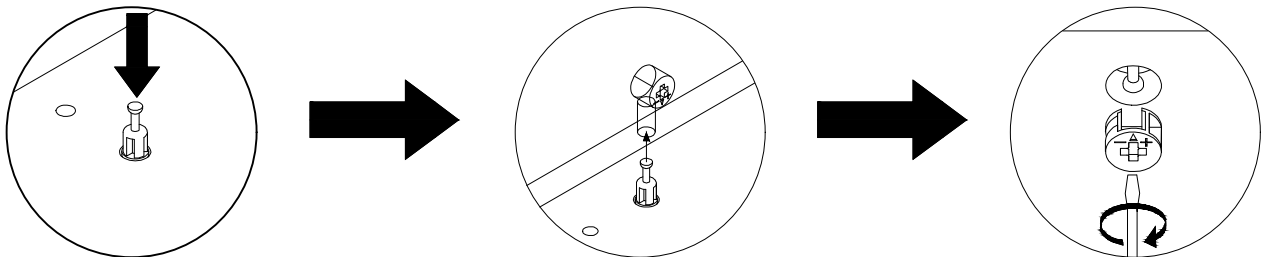
| <u>Part Number</u> | <u>Part Code</u> | <u>Part Description</u> | <u>Quantity</u> | <u>Carton</u> |
|--------------------|---------------------|-------------------------|-----------------|---------------|
| 1 | S100-120-015-EU1-01 | Left Side Panel | 1 | 1/1 |
| 2 | S100-120-015-EU1-02 | Front Crossbar | 1 | 1/1 |
| 3 | S100-120-015-EU1-03 | Back Crossbar | 1 | 1/1 |
| 4 | S100-120-015-EU1-04 | Right Side Panel | 1 | 1/1 |
| 5 | S100-120-015-EU1-05 | Top Panel | 1 | 1/1 |
| 6 | S100-120-015-EU1-06 | Back Panel | 2 | 1/1 |
| 7 | S100-120-015-EU1-07 | Shelf Panel | 12 | 1/1 |
| 8 | S100-120-015-EU1-08 | Drawer Front | 3 | 1/1 |

HARDWARE LIST

| | | | |
|---|---|-------------------|--------|
| A |  | DOWEL 6 X 30MM | 8 PCS |
| B |  | BOLT M7 X 60MM | 2 PCS |
| C |  | SCREW M3.5 X 12MM | 6 PCS |
| D |  | BOLT M6 X 50MM | 2 PCS |
| E |  | PLASTIC FOOT | 4 PCS |
| F |  | HANDLE | 3 PCS |
| G |  | ALLEN KEY | 1 PC |
| H |  | CAM BOLT+CAM NUT | 4 SETS |
| I |  | HANDLE SCREW 19MM | 6 PCS |
| J |  | SCREW M3.5 X 16MM | 40 PCS |
| K |  | SHOE TRAY RACK | 6 SETS |
| L |  | SCREW M5.5 X 12MM | 6 PCS |
| M |  | PVC AIR HOLE | 2 PCS |
| N |  | PLASTIC H STRIP | 1 PC |
| O |  | ANTI-TIP STRAP | 2 PCS |
| P |  | SCREW M4 X 16MM | 2 PCS |
| Q |  | TACK | 26 PCS |



USE A FLAT HEAD SCREWDRIVER TO TIGHTEN THE CAM NUTS. A QUARTER TURN CLOCKWISE IS ALL THAT IS NEEDED.



STEP 1 - PUSH CAM BOLT INTO INSERT

STEP 2 - ALIGN THE CAM BOLT WITH THE HOLE AND PUSH TOGETHER UNTIL FLUSH. (MAKE SURE THE ARROW OF THE CAM LOCK IS POINTING TOWARD ON THE EDGE OF THE PANEL.)

STEP 3 - THE HEAD OF THE BOLT GOES INTO THE WIDE MOUTH OF THE CAM LOCK. YOU THEN TURN THE LOCK SO THE NARROW PART CLOSES OVER THE BOLT.

STEP 1

PARTS REQUIRED


1 - LEFT SIDE PANEL x1

HARDWARE REQUIRED

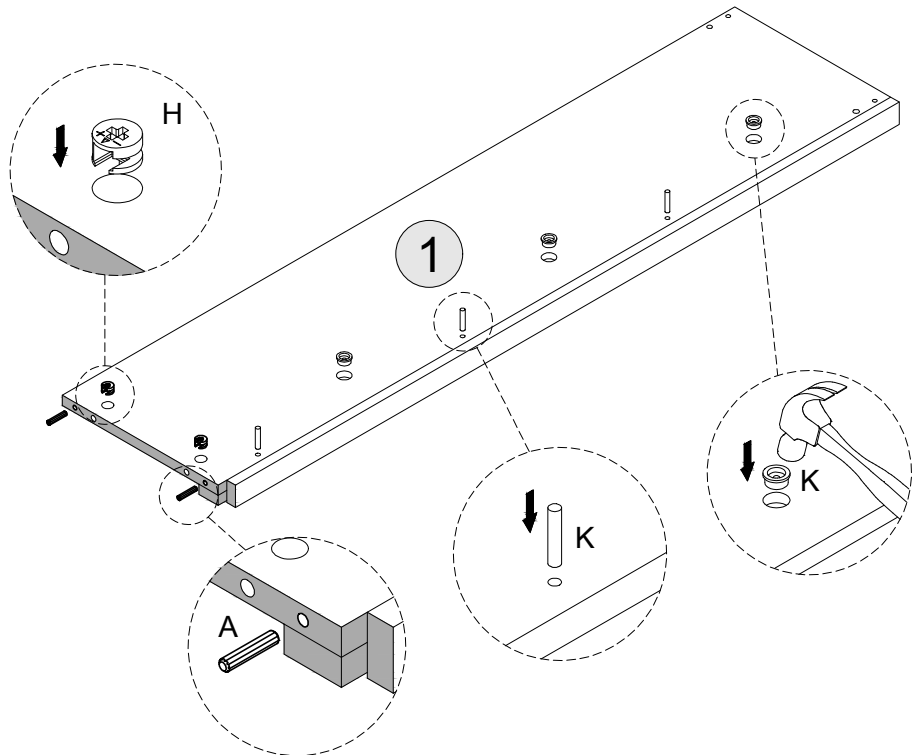
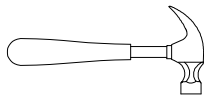
A  02

H  02

K  03

K  03

TOOLS REQUIRED



STEP 2

PARTS REQUIRED

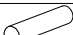
4 - RIGHT SIDE PANEL x1

HARDWARE REQUIRED

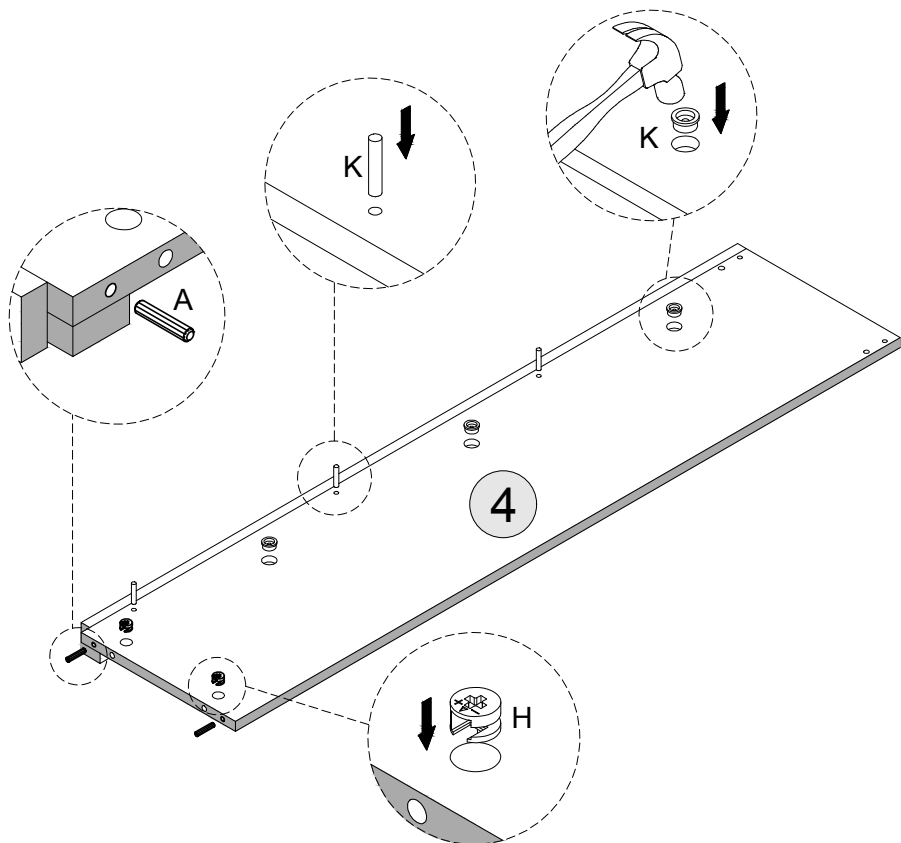
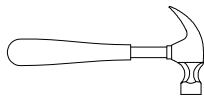
A  02

H  02

K  03

K  03

TOOLS REQUIRED





STEP 3

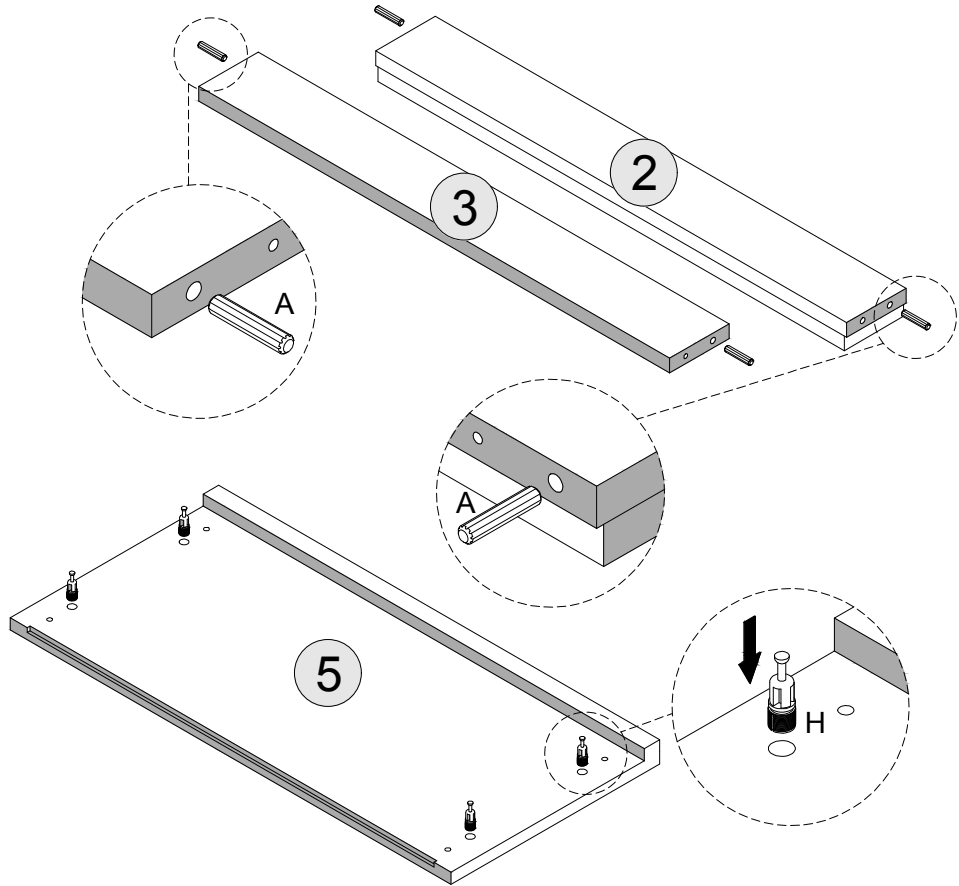
PARTS REQUIRED

| | |
|--------------------|----|
| 2 - FRONT CROSSBAR | x1 |
| 3 - BACK CROSSBAR | x1 |
| 5 - TOP PANEL | x1 |

HARDWARE REQUIRED

| | | |
|---|---|----|
| A |  | 04 |
| H |  | 04 |

TOOLS REQUIRED

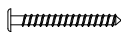
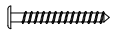


STEP 4

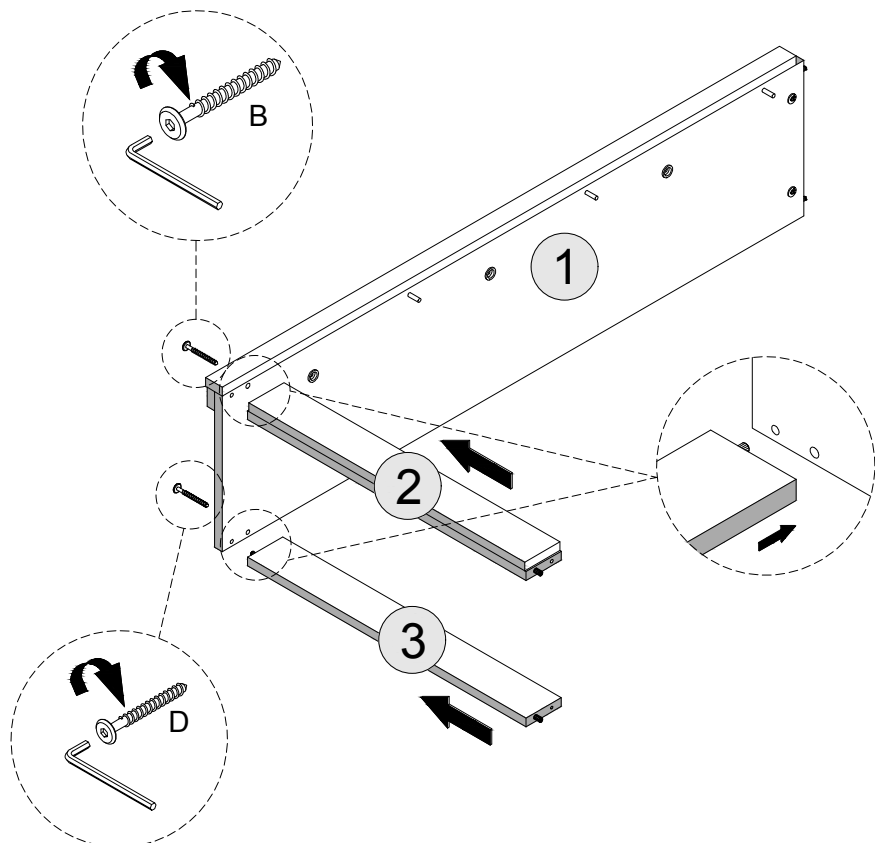
PARTS REQUIRED

| | |
|---------------------|----|
| 1 - LEFT SIDE PANEL | x1 |
| 2 - FRONT CROSSBAR | x1 |
| 3 - BACK CROSSBAR | x1 |

HARDWARE REQUIRED

| | | |
|---|---|----|
| B |  | 01 |
| D |  | 01 |

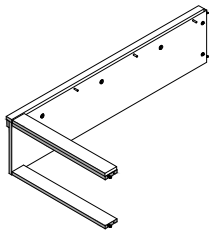
TOOLS REQUIRED



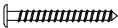
STEP 5

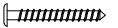
PARTS REQUIRED

4 - RIGHT SIDE PANEL x1

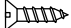


HARDWARE REQUIRED

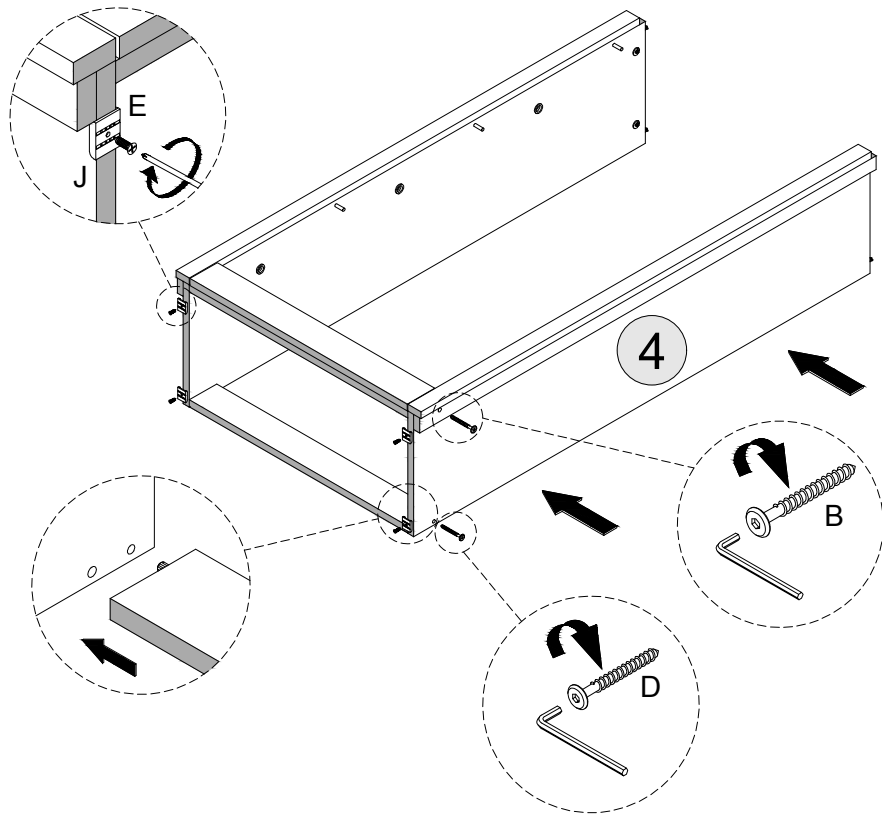
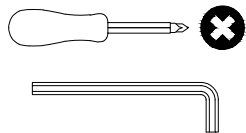
B  01

D  01

E  04

J  04

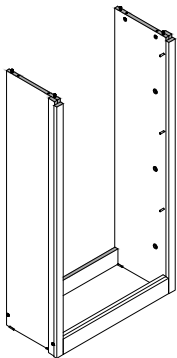
TOOLS REQUIRED



STEP 6

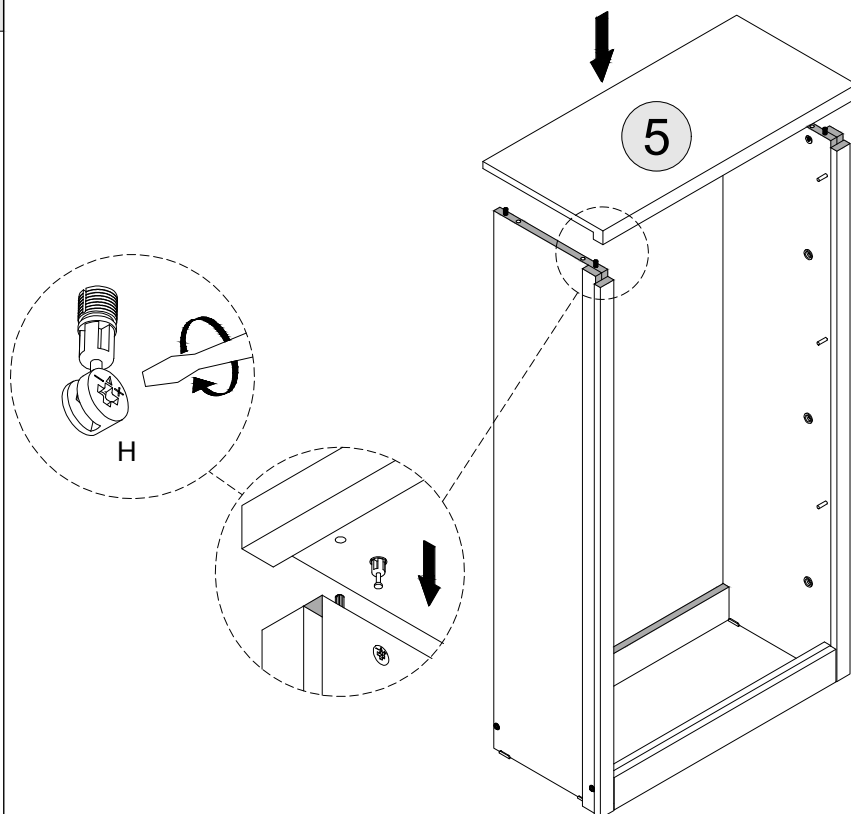
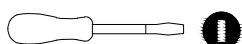
PARTS REQUIRED

5 - TOP PANEL x1



HARDWARE REQUIRED

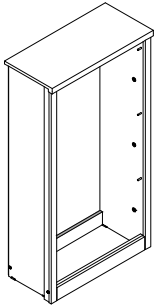
TOOLS REQUIRED



STEP 7

PARTS REQUIRED

6 - BACK PANEL x2

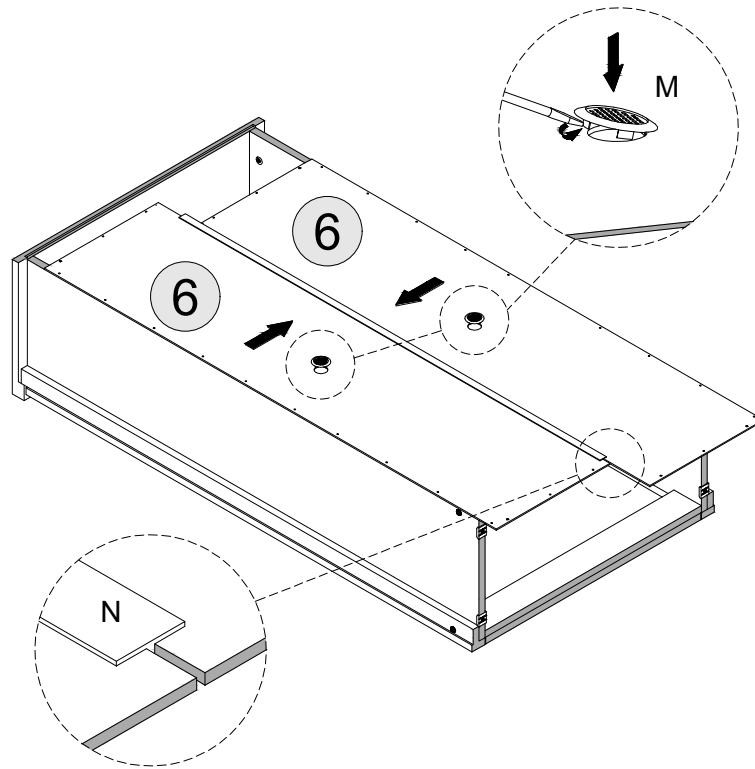
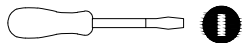


HARDWARE REQUIRED

M  02

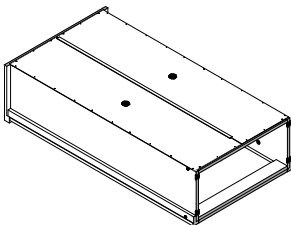
N  01

TOOLS REQUIRED

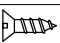


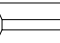
STEP 8

PARTS REQUIRED

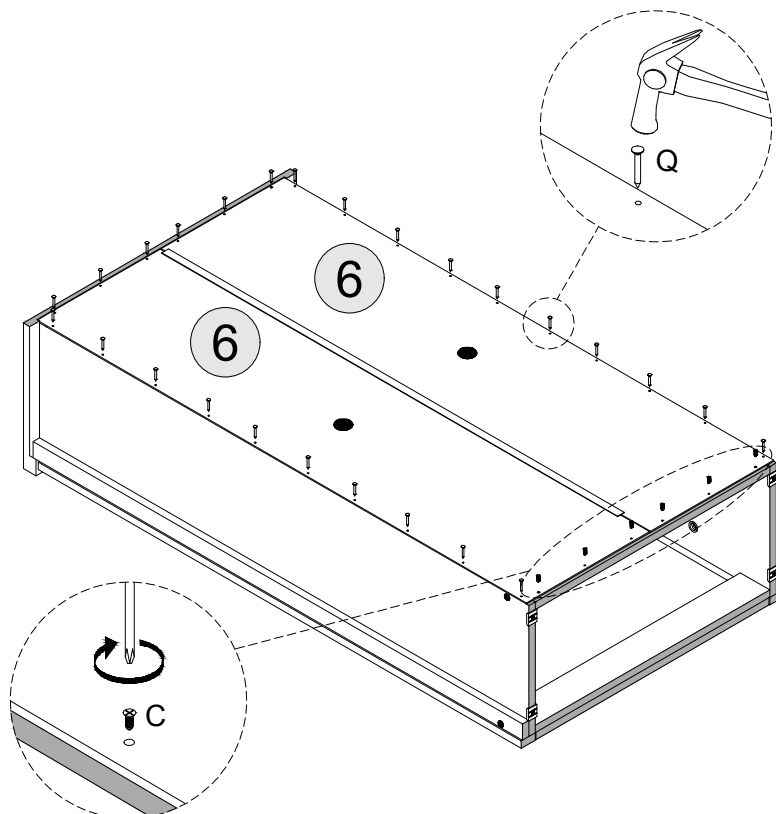
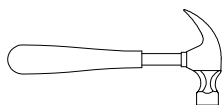
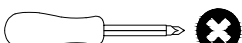


HARDWARE REQUIRED

C  06

Q  26

TOOLS REQUIRED



STEP 9

PARTS REQUIRED

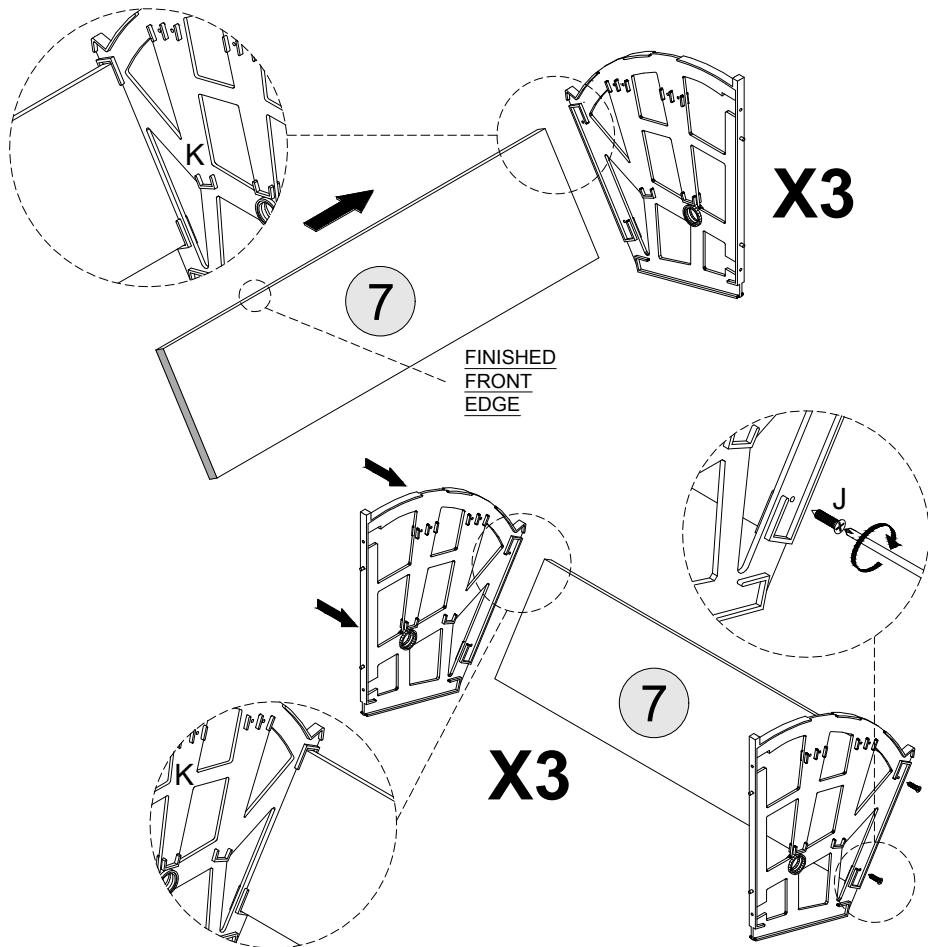
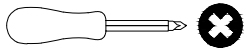
7 - SHELF PANEL x3

HARDWARE REQUIRED

J  06

K  06

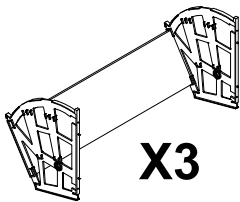
TOOLS REQUIRED



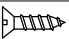
STEP 10

PARTS REQUIRED

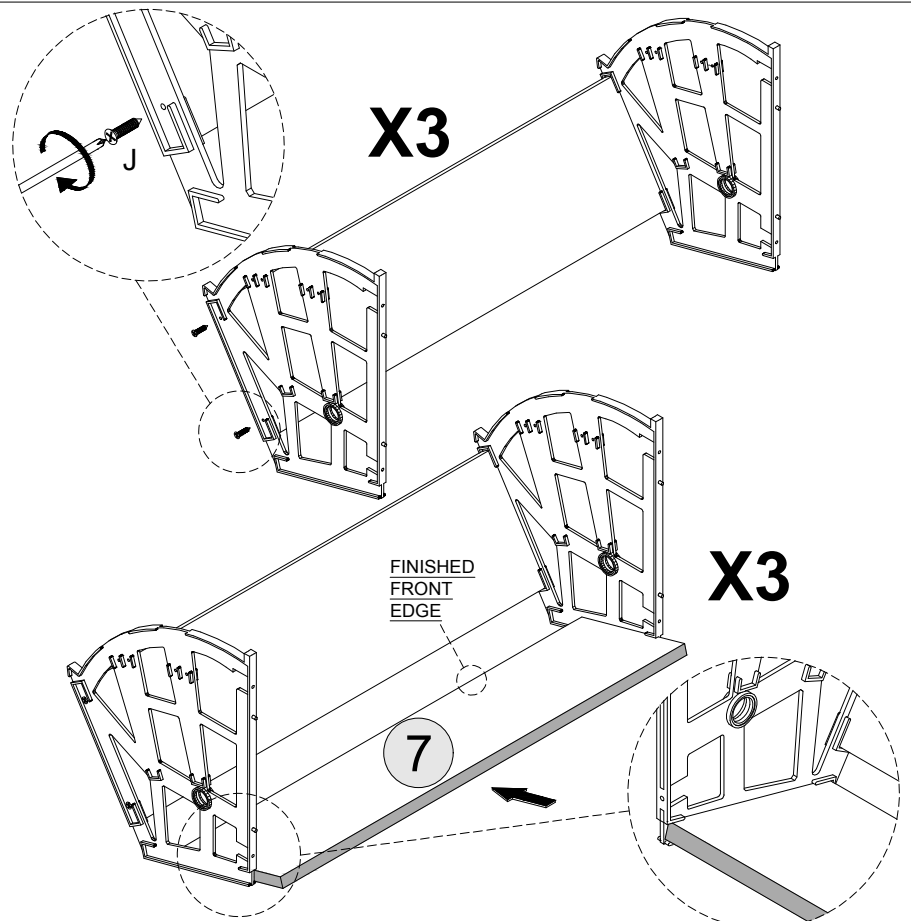
7 - SHELF PANEL x3



HARDWARE REQUIRED

J  06

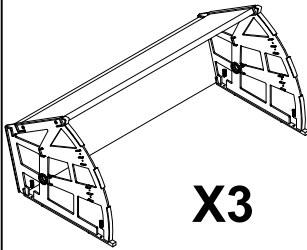
TOOLS REQUIRED



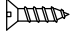
STEP 11

PARTS REQUIRED

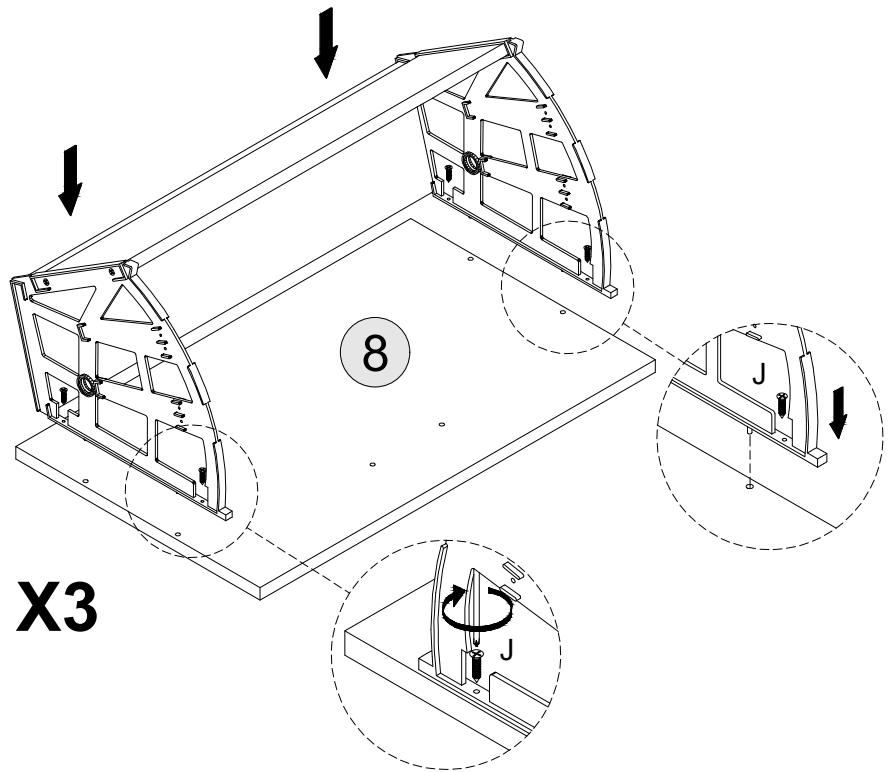
8 - DRAWER FRONT x3



HARDWARE REQUIRED

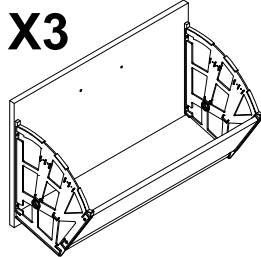
J  12

TOOLS REQUIRED




STEP 12

PARTS REQUIRED

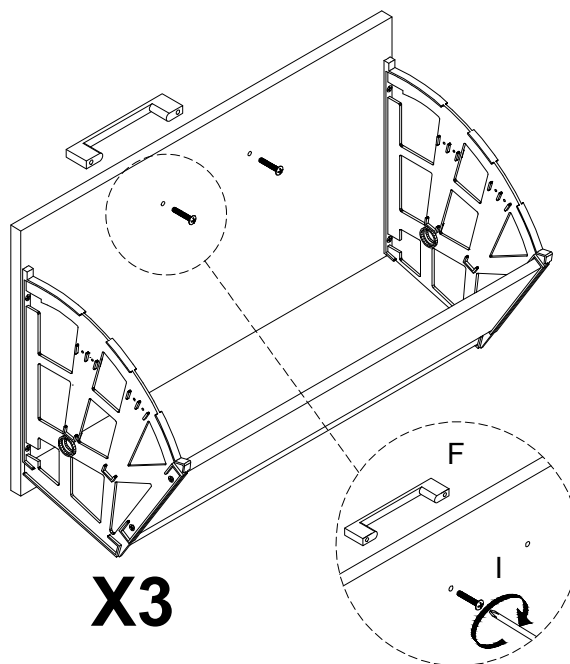
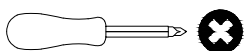


HARDWARE REQUIRED

F  03

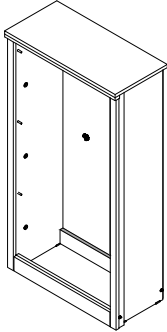
I  06

TOOLS REQUIRED

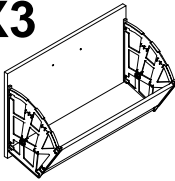


STEP 13


PARTS REQUIRED



X3

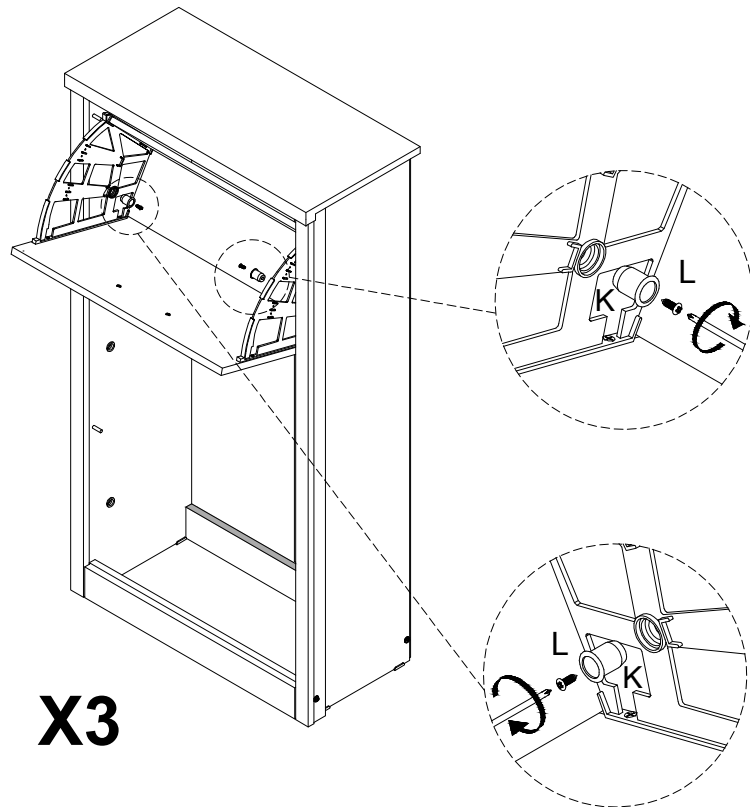
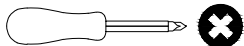


HARDWARE REQUIRED

| | | |
|---|---|----|
| K |  | 06 |
|---|---|----|

| | | |
|---|---|----|
| L |  | 06 |
|---|---|----|

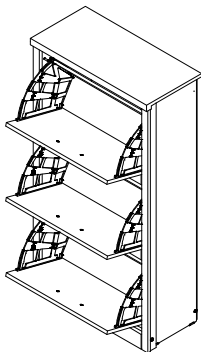
TOOLS REQUIRED



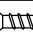
STEP 14

PARTS REQUIRED

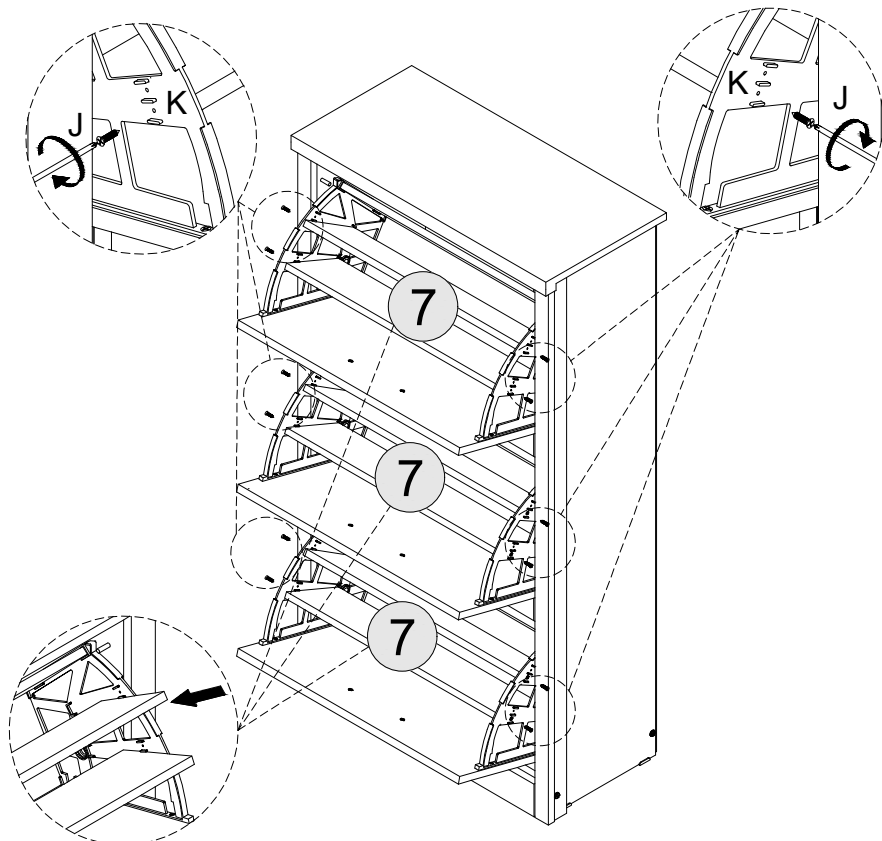
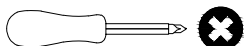
| | |
|-----------------|----|
| 7 - SHELF PANEL | x6 |
|-----------------|----|

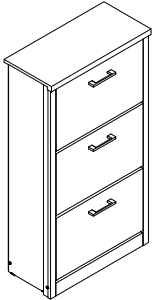
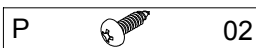
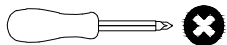


HARDWARE REQUIRED

| | | |
|---|---|----|
| J |  | 12 |
|---|---|----|

TOOLS REQUIRED



STEP 15PART REQUIREDHARDWARE REQUIREDTOOLS REQUIRED**WARNING**

Serious or fatal injuries can occur from furniture tipping over. To prevent the furniture from tipping over we recommend that it is permanently fixed to the wall.

Wall fixings are not supplied with this product as different wall materials require different types of fixing devices. Please make sure you use fixings suitable for the walls in your home.

