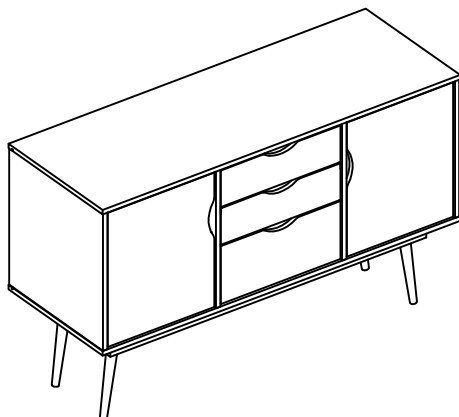


SCANDI 2 WHITE DOOR 3 DRAWER OAK SIDEBOARD ASSEMBLY INSTRUCTIONS

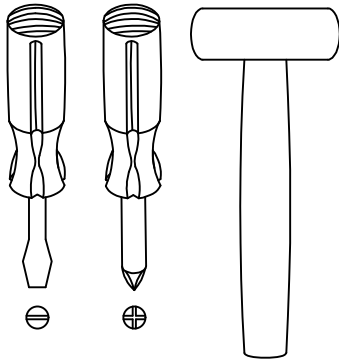


IMPORTANT PLEASE READ BEFORE YOU CONTINUE FURTHER

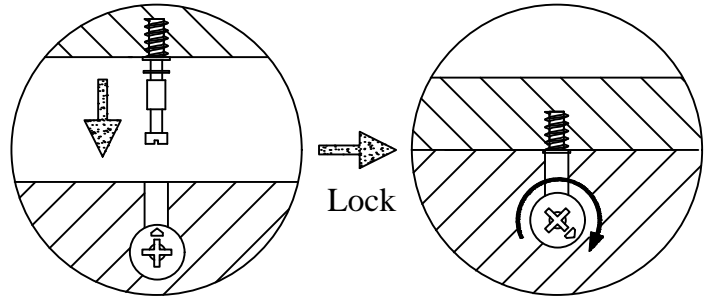
WARNING AND INSTRUCTIONS

GENERIC

- PLEASE KEEP THE ORIGINAL PACKAGING UNTIL THE ITEM IS FULLY ASSEMBLED AND IN PLACE. IN THE UNLIKELY EVENT THAT YOU NEED TO RETURN YOUR PRODUCT, IT MUST BE RETURNED IN ITS ORIGINAL PACKAGING TO AVOID FURTHER DAMAGE . FAILURE TO COMPLY TO THESE PROCEDURES, NO RETURN WILL BE ACCEPTED.
- IMPORTANT: RETAIN THESE INSTRUCTIONS FOR FUTURE REFERENCE.
- DUE TO THE SIZE OF THIS PRODUCT WE RECOMMEND THAT IT IS ASSEMBLED IN THE ROOM INTENDED FOR USE.
- WHEN YOU ARE READY TO START, MAKE SURE THAT YOU HAVE THE RIGHT TOOLS, PLENTY OF SPACE AND A CLEAN, DRY AREA FOR ASSEMBLY.
- UNWRAP ALL PACKAGING MATERIALS AND PLACE THE COMPONENTS ON TOP OF THE CARTON BOX OR ON A CLEAN FLOOR TO PREVENT IT FROM SCRATCHING.
- CHECK THE PACK AND MAKE SURE YOU HAVE ALL THE PARTS LISTED.
- ENSURE THAT THIS PRODUCT IS FULLY ASSEMBLED AS ILLUSTRATED BEFORE USE.
- TOOLS NOT INCLUDED.
- CHECK ALL SCREWS OR BOLTS ARE TIGHTENED AND INSPECT REGULARLY.
- THIS PRODUCT SHOULD ONLY BE USED ON FIRM LEVEL GROUND.
- KEEP SMALL PART OUT OF REACH OF CHILDREN.
- MAKE SURE THE LEGS REMAIN IN CONTACT WITH THE GROUND.
- DO NOT USE POWER TOOLS TO CONSTRUCT THIS PRODUCT.
- DO NOT TIGHTENED SCREWS UNTIL FULLY ASSEMBLED.
- DO NOT OVER TIGHTENED SCREWS OR BOLTS.
- DO NOT USE THIS PRODUCT IF PARTS ARE MISSING, DAMAGE OR WORN.
- DO NOT SIT AND STAND ON THE PRODUCT.
- TO CLEAN WIPE WITH A SPONGE AND WARM SOAPY WATER. DO NOT USE SOLVENT BASED CLEANERS OR DETERGENTS AS THEY CAN BLEACH OR DAMAGE THE PRODUCT.
- NEVER USE SCOURERS, ABRASIVES OR CHEMICAL CLEANERS.

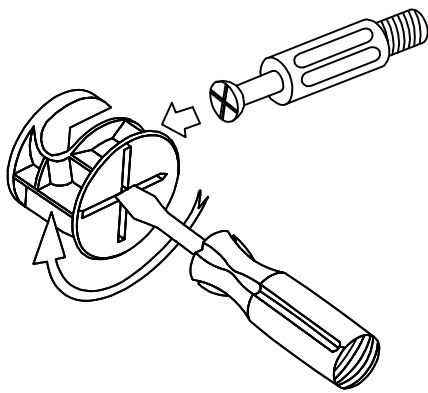


(Tools not provided)



Use a flat blade screwdriver to tighten the cam nuts. A quarter turn clockwise is all that is needed.

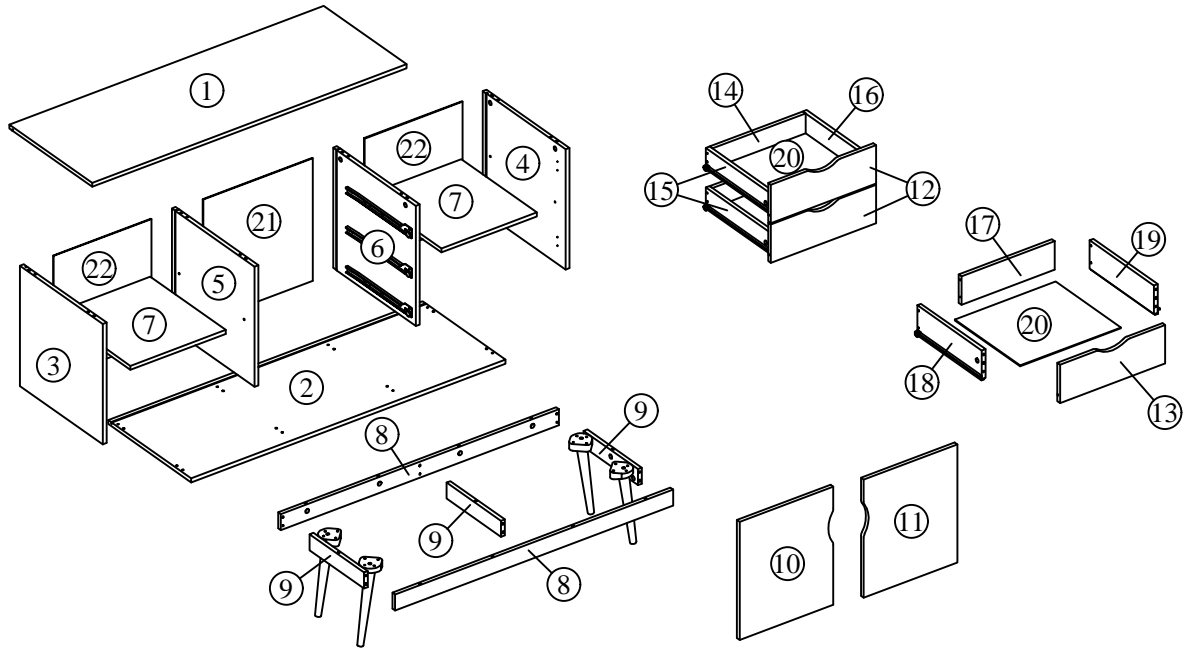
This is how a cam nut works.....



The head of the cam bolt goes into the open mouth of the cam nut. You then turn the cam nut so it tightens over the bolt.

TWO PERSONS REQUIRED TO ASSEMBLE THIS PRODUCT





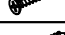








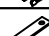




1. Please check that you have all the parts listed before you start assembling. If you do find that something is missing, do not continue assembly. Please contact your supplier immediately.
2. Lay out all of the components on a soft surface as if you were preparing to do a jigsaw puzzle.
3. Separate and identify each component from the hardware pack and rest each one in its proper location before fastening.



PARTS LIST

NO	PARTS					QTY
1	1250	x	450	x	15	1 pc
2	1250	x	450	x	15	1 pc
3	450	x	449	x	15	1 pc
4	450	x	449	x	15	1 pc
5	450	x	449	x	15	1 pc
6	450	x	449	x	15	1 pc
7	379	x	409	x	15	2 pcs
8	1100	x	60	x	15	2 pcs
9	304	x	60	x	15	3 pcs
10	442	x	372	x	15	1 pc
11	442	x	372	x	15	1 pc
12	420	x	128	x	15	2 pcs
13	420	x	176	x	15	1 pc
14	370	x	75	x	15	2 pcs
15	350	x	75	x	15	2 pcs
16	350	x	75	x	15	2 pcs
17	370	x	115	x	15	1 pc
18	350	x	115	x	15	1 pc
19	350	x	115	x	15	1 pc
20	400	x	354	x	3	3 pcs
21	459	x	436	x	3	1 pc
22	459	x	389	x	4	2 pcs




HARDWARE LIST

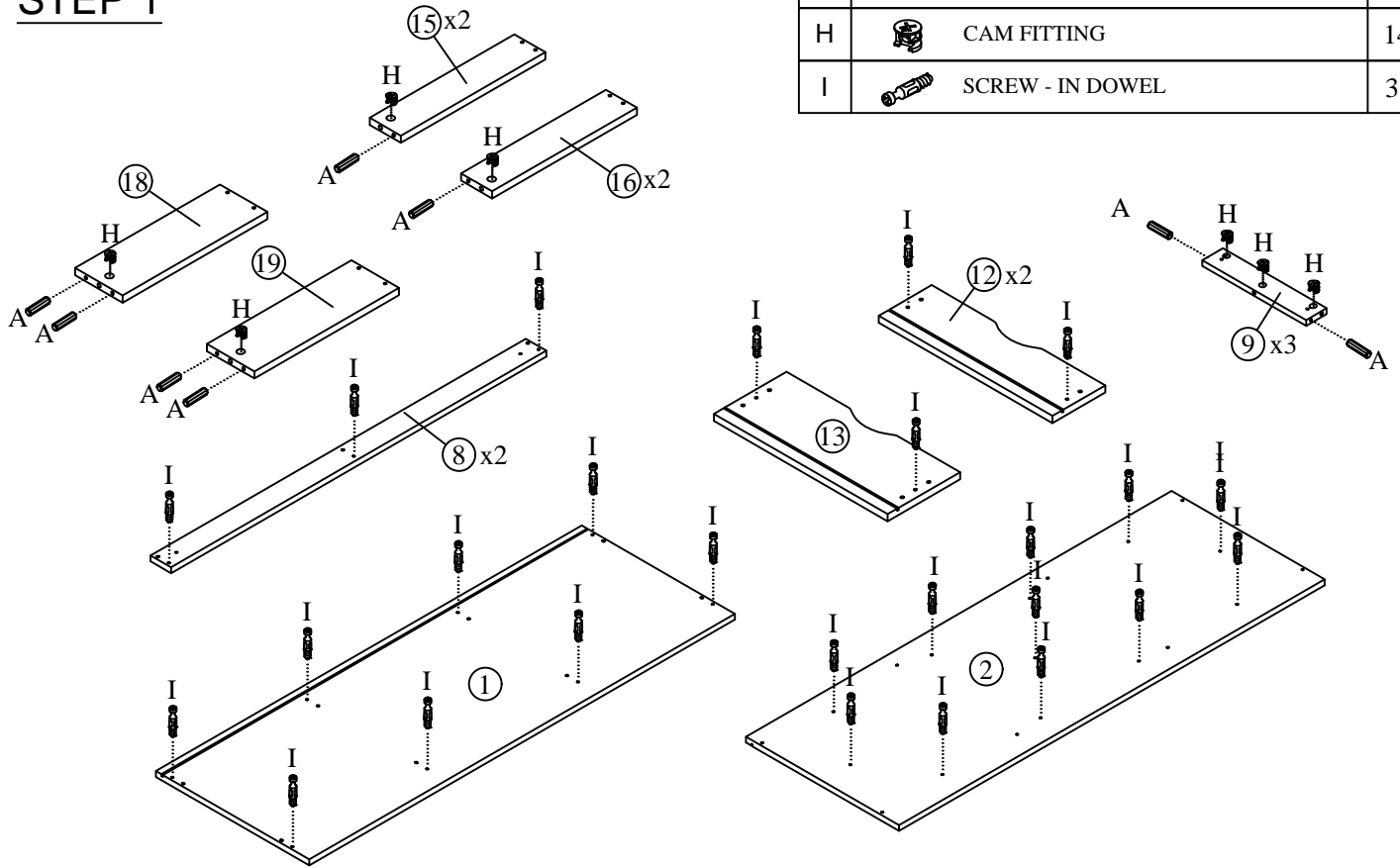
NO.	DESCRIPTION	QTY
A	 WOOD DOWEL M6 x 25mm	30
B	 M3.5 x 12mm CSK SCREW	36
C	 M4 x 16mm CSK SCREW	16
D	 M4 x 25mm CSK SCREW	16
E	 M4 x 38mm CSK SCREW	20
F	 M6 x 50mm JCBCW SCREW	8
G	 ALLEN KEY M6	1
H	 CAM FITTING	31
I	 SCREW - IN DOWEL	31
J	 MINI FIX - CAP	31
K	 METAL SHELF SUPPORT	8
L	 HINGES 7/8	4
M	 NAIL	12
N	 STICKER	8
O	 METAL RUNNER 14" SJ 1.1 (SPECIAL)	3
P	 WALL FIXING STRAP	2
Q	 Rubber Wood Leg 274 x 60 x 60	4
R	 PVC BACKER (BLK)	4

THE USE OF POWER TOOLS TO ASSEMBLE THIS PRODUCT WILL INVALIDATE ANY CLAIM AND MAY DAMAGE THIS PRODUCT MAKING IT UNSAFE.








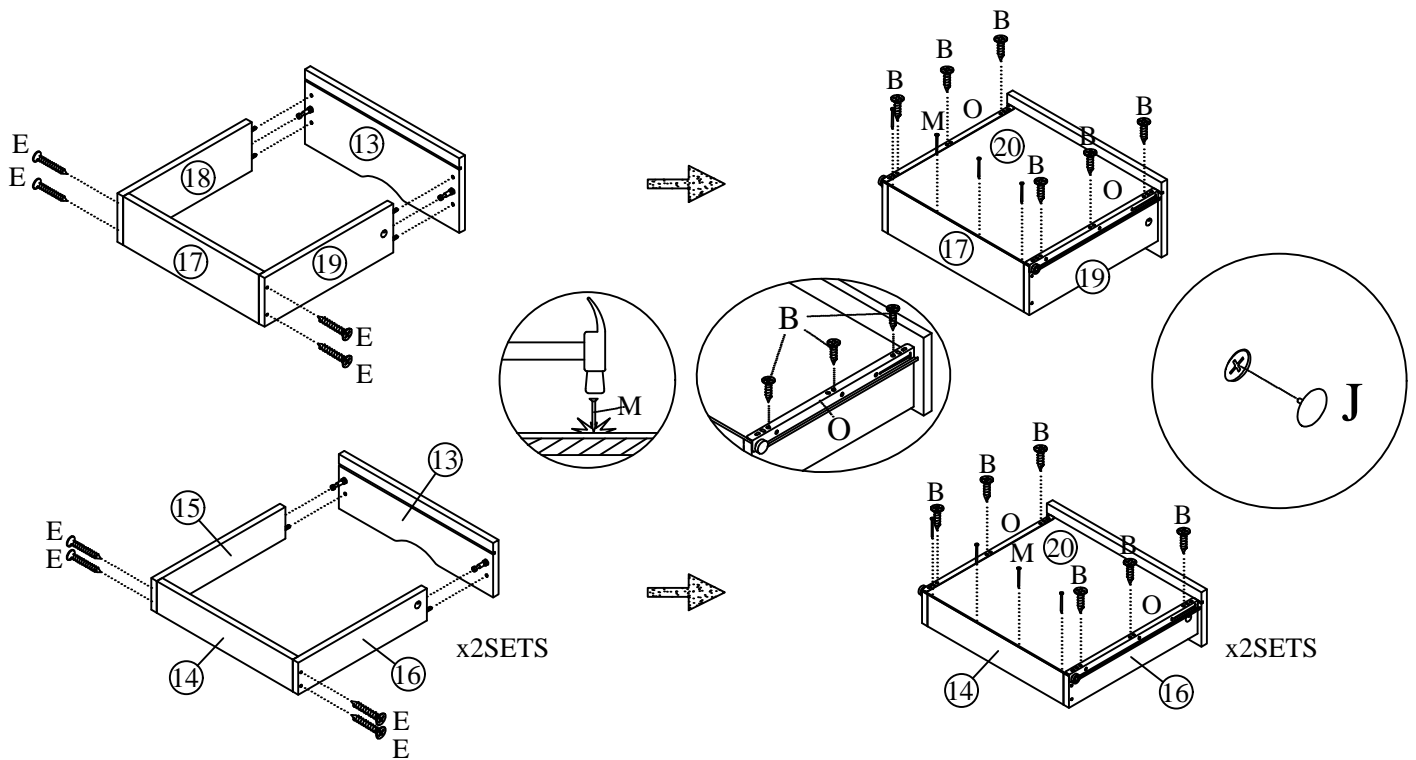
STEP 1

A		WOOD DOWEL 6 x 25mm	14
H		CAM FITTING	14
I		SCREW - IN DOWEL	31



STEP 2

B		M3.5 x 12mm CSK SCREW	18	M		NAIL	12
E		M4 x 38mm CSK SCREW	12	O		METAL RUNNER 14" SJ 1.1 (SPECIAL)	3
J		MINI FIX CAP	6				

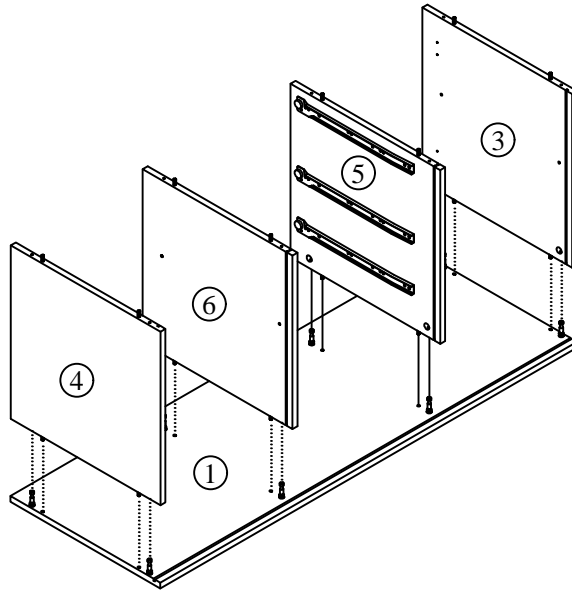
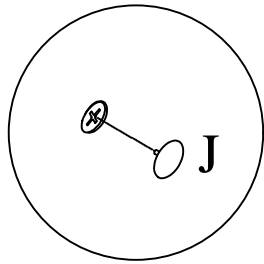


THE USE OF POWER TOOLS TO ASSEMBLE THIS PRODUCT WILL INVALIDATE ANY CLAIM AND MAY DAMAGE THIS PRODUCT MAKING IT UNSAFE.





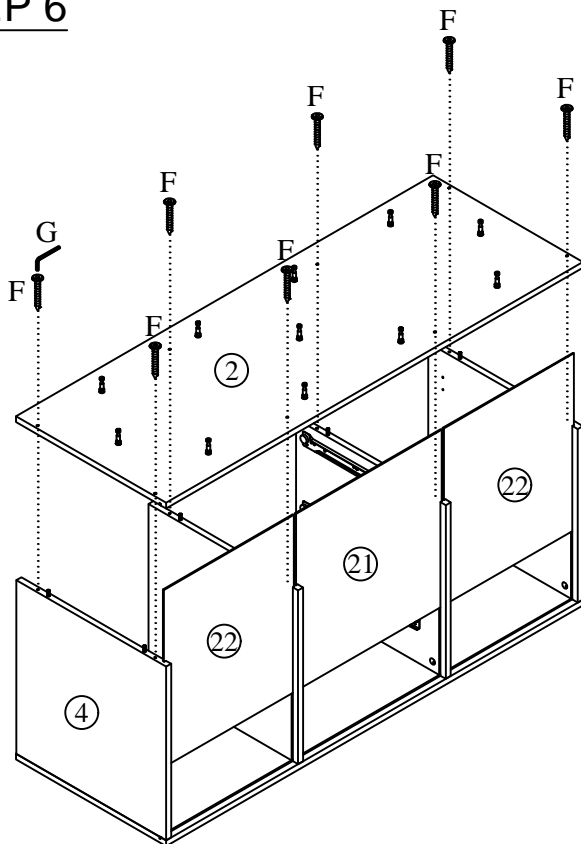
STEP 5

J		MINI FIX - CAP	8
---	---	----------------	---



STEP 6

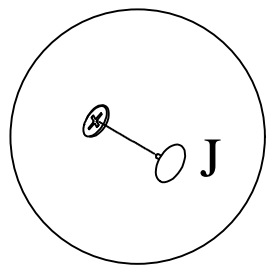
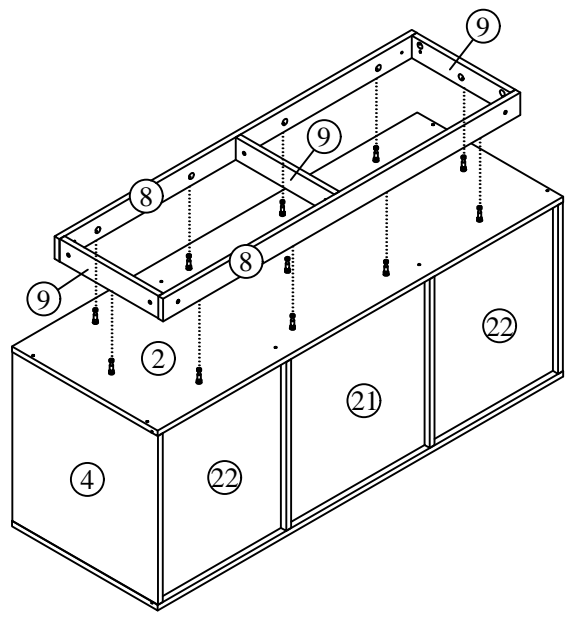
F		M6 x 50mm JCBCW SCREW	8
G		ALLEN KEY M6	1








THE USE OF POWER TOOLS TO ASSEMBLE THIS PRODUCT WILL INVALIDATE ANY CLAIM AND MAY DAMAGE THIS PRODUCT MAKING IT UNSAFE.

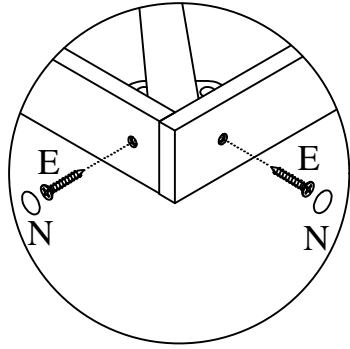
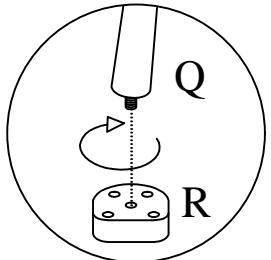
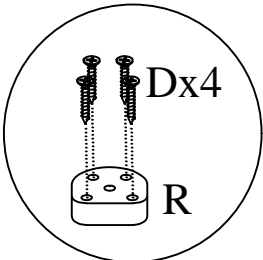
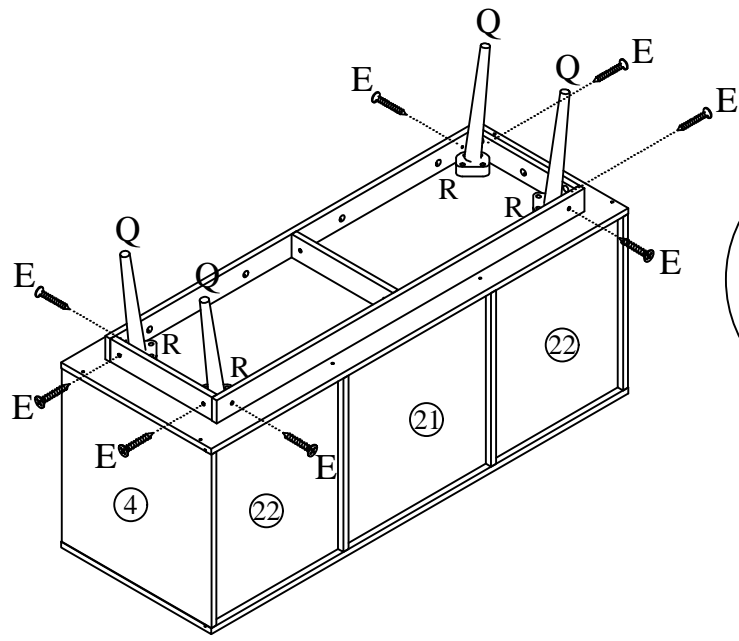


STEP 7



STEP 8

D		M4 x 25mm CSK SCREW	16
E		M4 x 38mm CSK SCREW	8
N		STICKER	8
Q		Rubber Wood Leg 274 x 60 x 60	4
R		PVC BACKER (BLK)	4

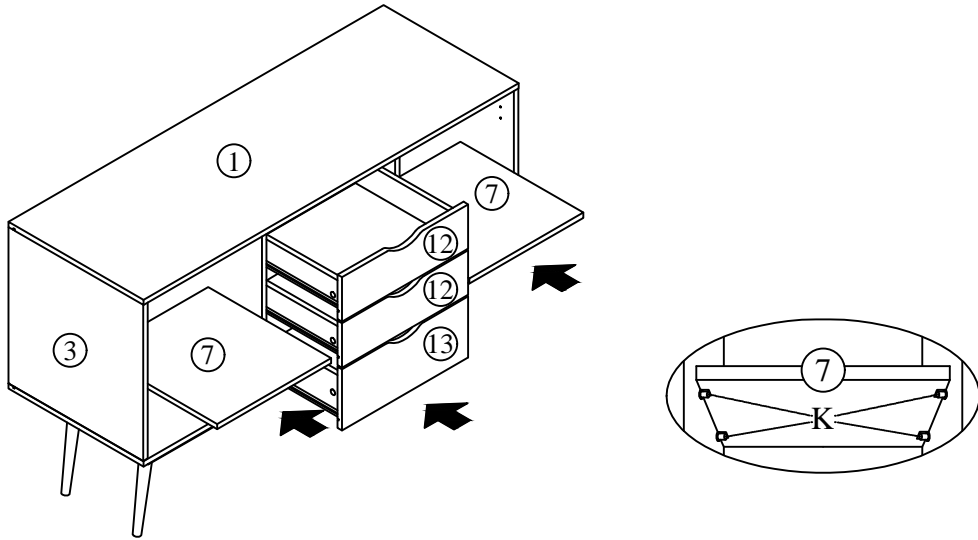


THE USE OF POWER TOOLS TO ASSEMBLE THIS PRODUCT WILL INVALIDATE ANY CLAIM AND MAY DAMAGE THIS PRODUCT MAKING IT UNSAFE.





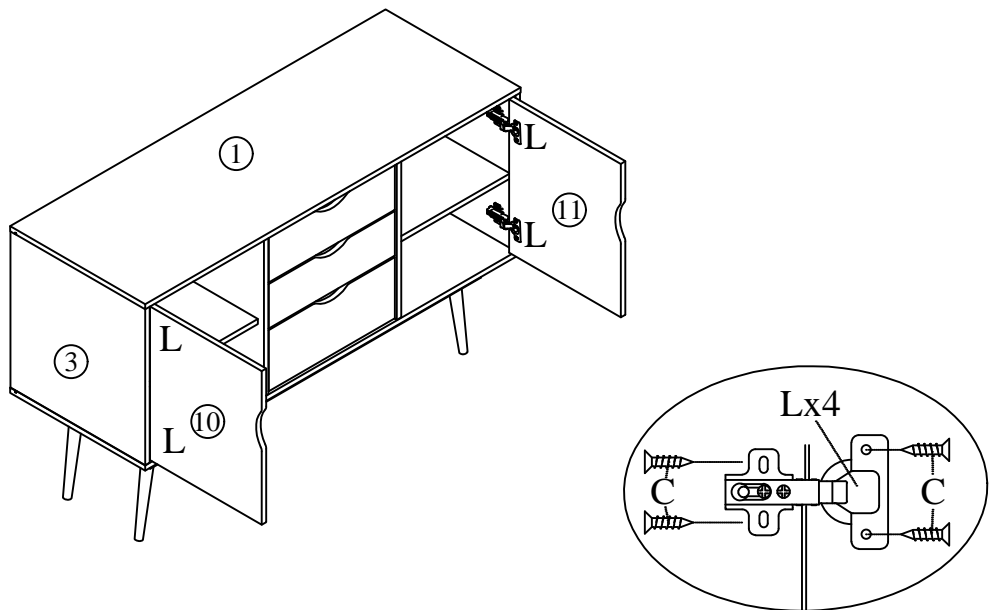
STEP 9

K		METAL SHELF SUPPORT	8
---	--	---------------------	---



STEP 10



C		M4 x 16mm CSK SCREW	16
L		HINGES 7/8	4

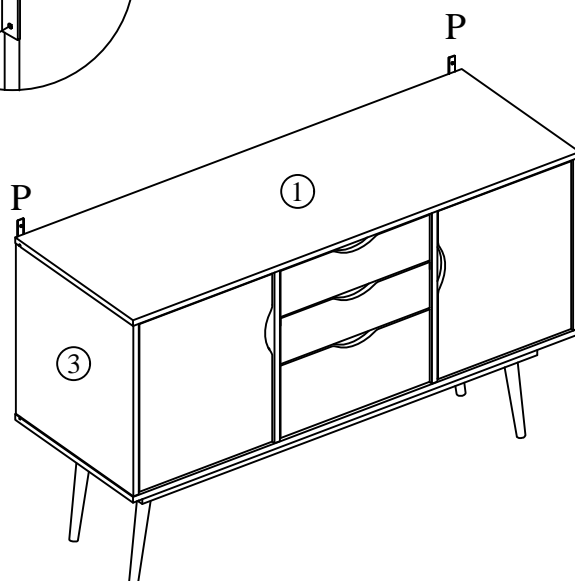
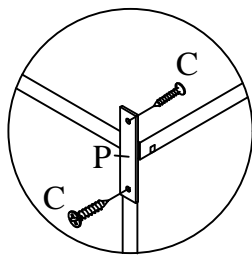


THE USE OF POWER TOOLS TO ASSEMBLE THIS PRODUCT WILL INVALIDATE ANY CLAIM AND MAY DAMAGE THIS PRODUCT MAKING IT UNSAFE.

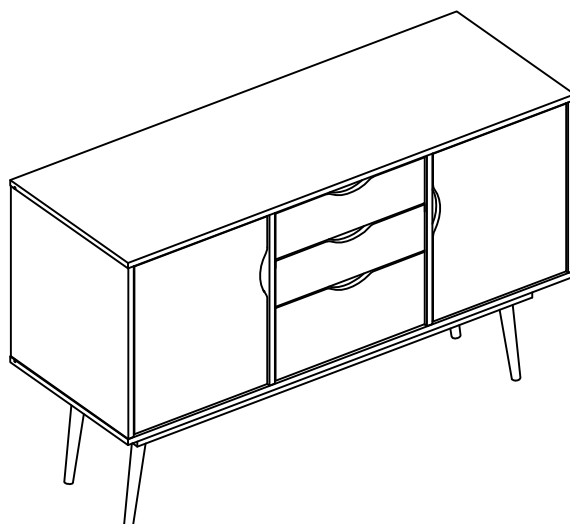


STEP 11

C		M4 x 16mm CSK SCREW	4
P		WALL FIXING STRAP	2



STEP 12



COMPLETED

THE USE OF POWER TOOLS TO ASSEMBLE THIS PRODUCT WILL INVALIDATE ANY CLAIM AND MAY DAMAGE THIS PRODUCT MAKING IT UNSAFE.

