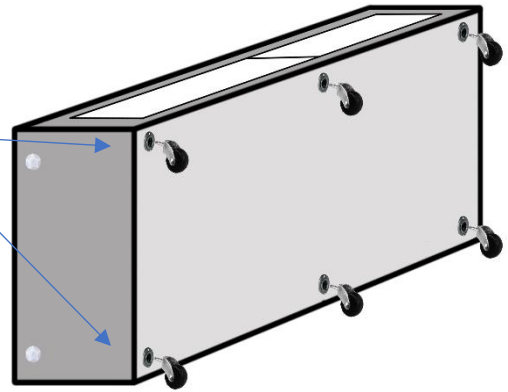


## Assembly Instructions for 2ft6 and 3ft

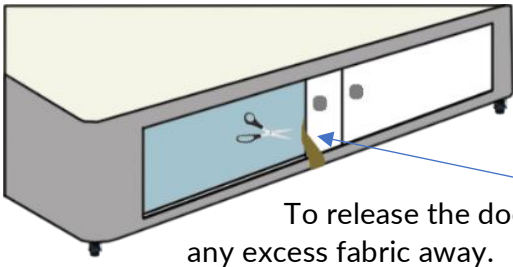
### Slidestore Divan Bases

- Remove all polythene / cardboard corners from your new divan base and dispose of carefully for recycling.

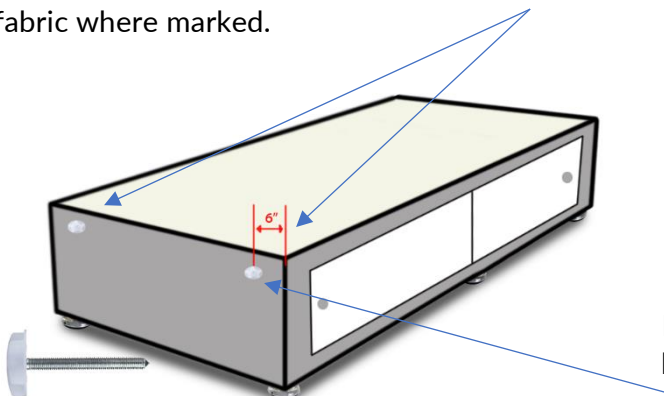
- Turn the Slidestore base on its side and insert the castors / glides into the corresponding holes on each corner and the middle of the base.



- Gently knock them into place using a rubber mallet. If you have difficulty doing this insert a small screwdriver into the locator hole to clear the blockage.

-  The sliding doors will be held open with a fabric strap to stop them from moving around during transportation.  
To release the doors, cut the fabric strap across the centre, then trim any excess fabric away.

- Insert the 2 headboard bolts into the locator holes at the headend of the base by piercing the fabric where marked.



If the holes are not marked, they are located 6" from the edge of the base