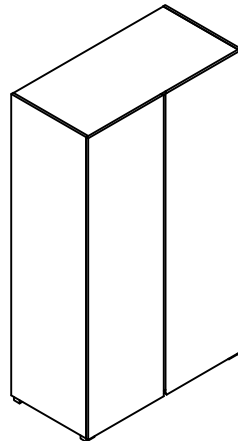


# PURO 2 DOOR WARDROBE



## IMPORTANT

### PLEASE READ BEFORE YOU CONTINUE FURTHER

PLEASE KEEP THE ORIGINAL PACKAGING UNTIL THE ITEM IS FULLY ASSEMBLED AND IN PLACE . IN THE UNLIKELY EVENT THAT YOU NEED TO RETURN YOUR PRODUCT, IT MUST BE RETURNED IN ITS ORIGINAL PACKAGING TO AVOID FURTHER DAMAGE .

THE PRODUCT YOU HAVE PURCHASED WILL GIVE YOU MANY YEARS OF SERVICE IF YOU FOLLOW THE GUIDELINES FOR ITS SAFE ASSEMBLY AND PERIODIC MAINTENANCE AND CLEANING.

ASSEMBLE ON A SOFT CLEAN SURFACE.

DO NOT USE ANY TOOLS OTHER THAN THOSE SHOWN.

ANY SPANNERS OR ALLEN KEYS REQUIRED ARE INCLUDED WITH THE FITTINGS KIT. DO NOT FOR ANY REASON USE A POWER TOOL TO ASSEMBLE THIS PRODUCT. ITS USE WILL INVALIDATE ANY CLAIM YOU MAY HAVE AND COULD MAKE THIS PRODUCT UNSAFE.

DEPENDING ON THE AMOUNT OF USE THIS PRODUCT RECEIVES IT MAY BE NECESSARY TO TIGHTEN UP THE FIXINGS FROM TIME TO TIME .THIS IS COMPLETELY NORMAL FOR ANY FLAT PACK FURNITURE.  
DO NOT OVERTIGHTEN FIXINGS.

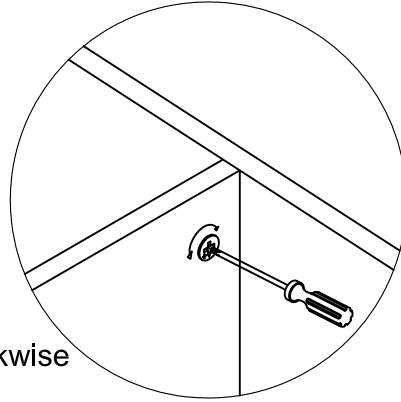
FOR CLEANING, YOU MAY USE A DAMP CLOTH (NOT WET).  
THE SURFACE OF THIS ITEM IS NOT HEAT RESISTANT. ALWAYS USE A PLACE MAT UNDER HOT OR COLD ITEMS TO PREVENT MARKING.

PLEASE DO NOT THROW AWAY ANY PACKAGING UNIT ALL COMPONENTS HAVE BEEN CHECKED.  
IF COMPONENTS ARE MISSING PLEASE CONTACT SUPPLIER IMMEDIATELY.

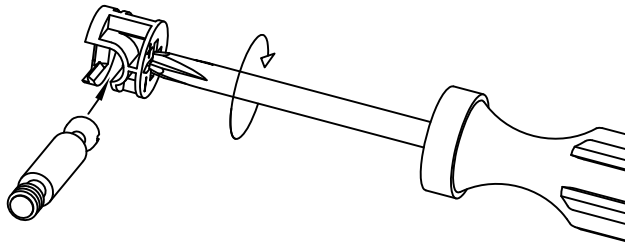


(Screwdriver not provided)

Use a flat blade screwdriver to tighten the cam nuts. A quarter of a turn clockwise is all that is needed.



This is how a cam nut works.....

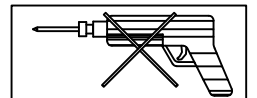


The head of the bolt goes into the wide mouth of the cam nut. You then turn the nut so the narrow part closes over the bolt.

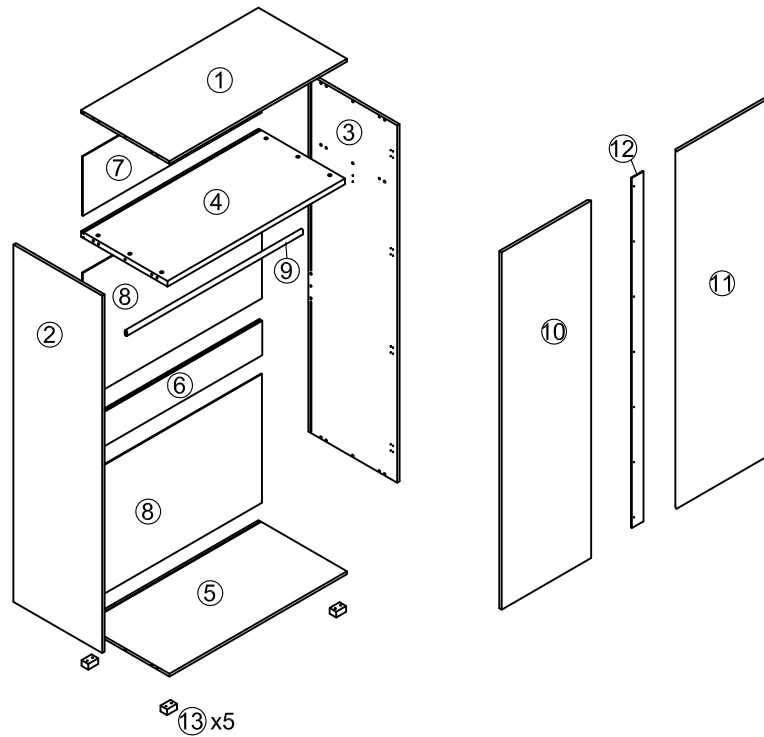
## TWO PERSONS REQUIRED TO ASSEMBLE THIS PRODUCT

1. Please check that you have all the parts listed before you start assembling. If you do find that something is missing, do not continue assembly. Please contact your supplier immediately.
2. Lay out all of the components on a soft surface as if you were preparing to do a jigsaw puzzle.
3. Separate and identify each component, from the hardware pack and rest each one in its proper location before fastening.

THE USE OF POWER TOOLS TO ASSEMBLE THIS PRODUCT WILL INVALIDATE ANY CLAIM AND ANY DAMAGE THIS PRODUCT MAKING IT UNSAFE

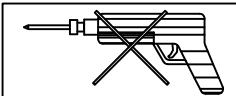





















# PARTS LIST



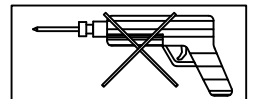
|    |                  |       |
|----|------------------|-------|
| 1  | TOP PANEL        | 1 PC  |
| 2  | LEFT SIDE PANEL  | 1 PC  |
| 3  | RIGHT SIDE PANEL | 1 PC  |
| 4  | CENTER PANEL     | 1 PC  |
| 5  | BOTTOM PANEL     | 1 PC  |
| 6  | BACK CROSS PANEL | 1 PC  |
| 7  | BACK PANEL       | 1 PC  |
| 8  | BACK PANEL       | 2 PCS |
| 9  | HANG PIPE        | 1 PC  |
| 10 | LEFT DOOR        | 1 PC  |
| 11 | RIGHT DOOR       | 1 PC  |
| 12 | STRIP            | 1 PC  |
| 13 | LEG              | 5 PC  |
|    |                  |       |
|    |                  |       |
|    |                  |       |
|    |                  |       |
|    |                  |       |
|    |                  |       |
|    |                  |       |
|    |                  |       |
|    |                  |       |
|    |                  |       |
|    |                  |       |
|    |                  |       |
|    |                  |       |
|    |                  |       |
|    |                  |       |
|    |                  |       |
|    |                  |       |
|    |                  |       |
|    |                  |       |
|    |                  |       |
|    |                  |       |

THE USE OF POWER TOOLS TO ASSEMBLE THIS PRODUCT WILL INVALIDATE ANY CLAIM AND ANY DAMAGE THIS PRODUCT MAKING IT UNSAFE






| HARDWARE LIST |   |                  |        |   |   |                    |       |
|---------------|---|------------------|--------|---|---|--------------------|-------|
| A             |    | Ø8x30MM DOWEL    | 14 PCS | P |  | Ø3.5x38 SCREW      | 2 PCS |
| B             |    | Ø6.2x35 CAM BOLT | 22 PCS | Q |  | M6x13 FLAT WASHER  | 4 PCS |
| C             |    | Ø15 CAM LOCK     | 22 PCS | R |  | L=450 WALL STRAP   | 2 PCS |
| D             |    | 4MM ALLEN KEY    | 1 PC   | S |  | WALL FITTING SCREW | 2 PCS |
| E             |    | Ø16.5 CAM LOCK   | 6 PCS  |   |   |                    |       |
| F             |    | Ø16.5 CAM LOCK   | 6 PCS  |   |   |                    |       |
| G             |    | HINGE            | 8 PCS  |   |   |                    |       |
| H             |    | Ø4x15 SCREW      | 48 PCS |   |   |                    |       |
| I             |    | SUPPORT BRACKET  | 2 PCS  |   |   |                    |       |
| J             |    | Ø3x14 SCREW      | 4 PCS  |   |   |                    |       |
| K             |   | BACK BUTTON      | 18 PCS |   |   |                    |       |
| L             |  | Ø3x20 SCREW      | 18 PCS |   |   |                    |       |
| M             |  | Ø3x16 SCREW      | 7 PC   |   |   |                    |       |
| N             |  | Ø3.5x31 SCREW    | 10 PCS |   |   |                    |       |
| O             |  | Ø3.5x19 SCREW    | 2 PCS  |   |   |                    |       |

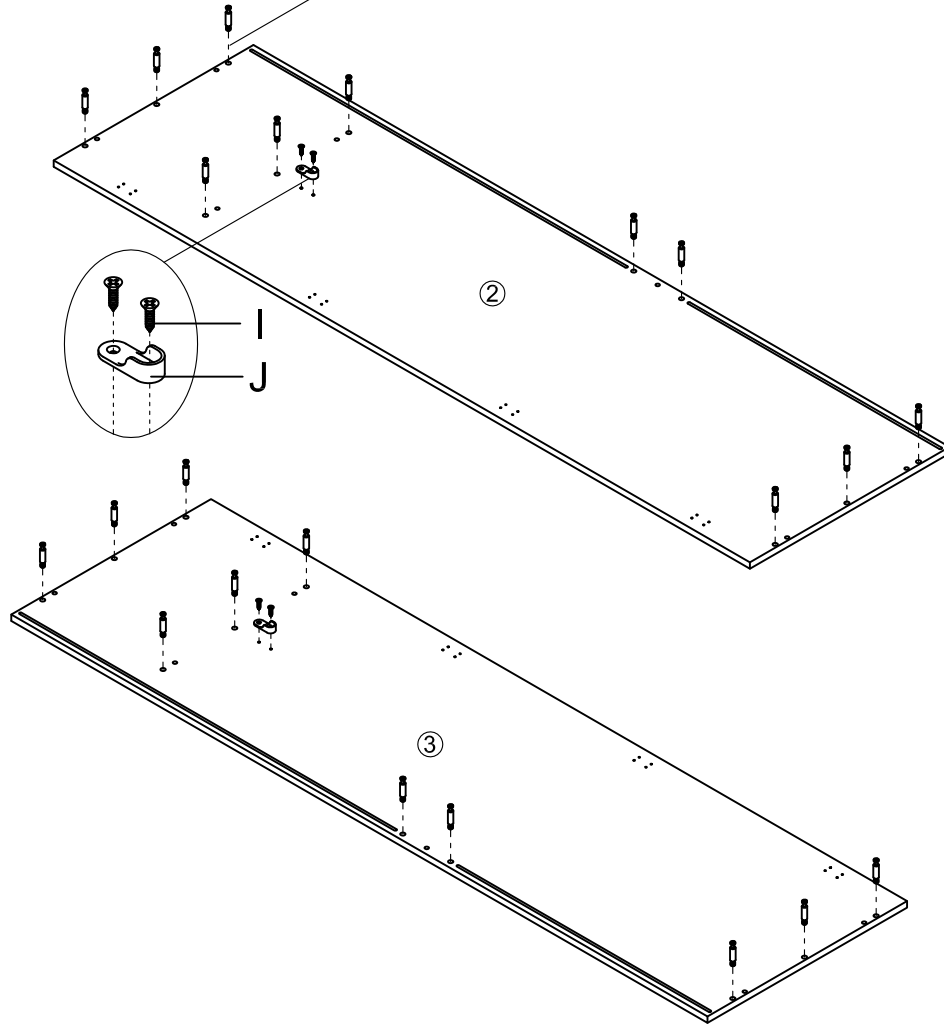
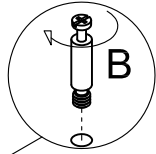
THE USE OF POWER TOOLS TO ASSEMBLE THIS PRODUCT WILL INVALIDATE ANY CLAIM AND ANY DAMAGE THIS PRODUCT MAKING IT UNSAFE



### STEP 1




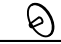

You will need:

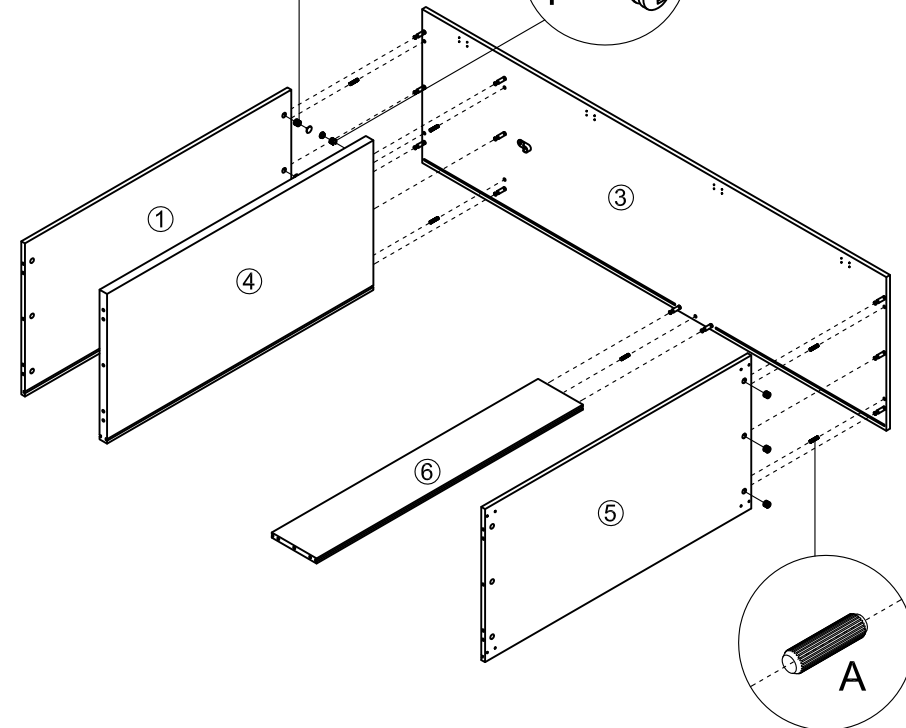
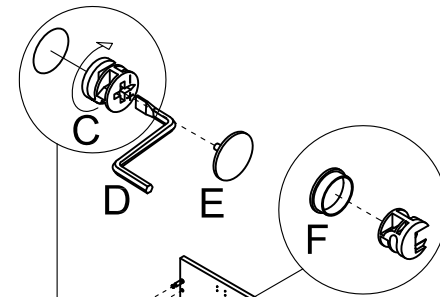
|   |   |        |
|---|---|--------|
| B |  | 22 PCS |
| I |  | 2 PCS  |
| J |  | 4 PCS  |



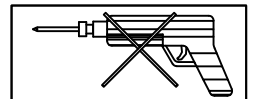
### STEP 2

You will need:

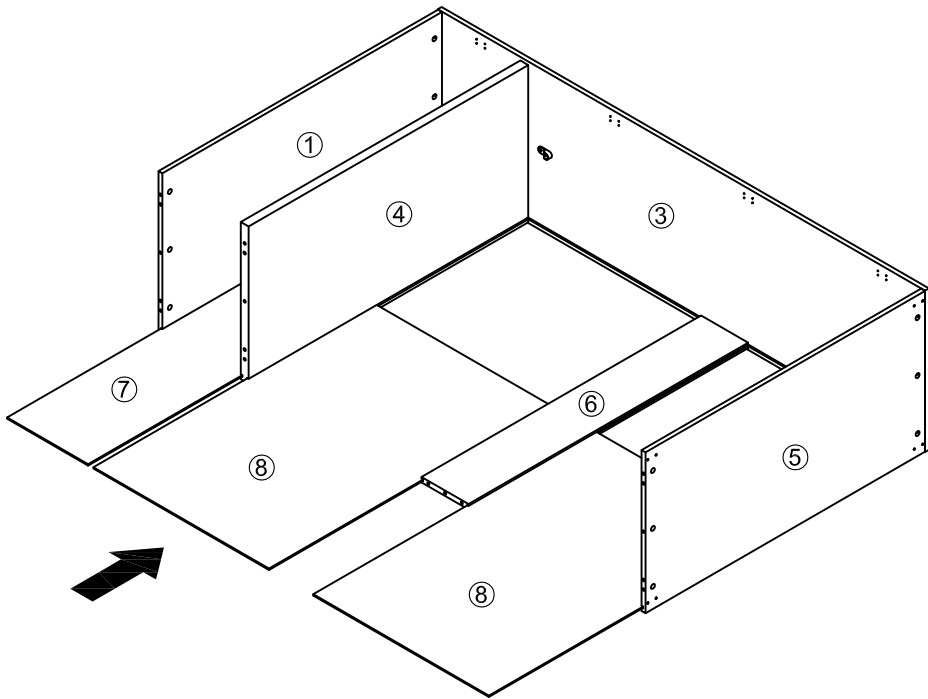
|   |   |      |
|---|---|------|
| A |  | 7 PC |
| C |  | 9 PC |
| D |  | 1 PC |
| E |  | 3 PC |
| F |  | 3 PC |



THE USE OF POWER TOOLS TO ASSEMBLE THIS PRODUCT WILL INVALIDATE ANY CLAIM AND ANY DAMAGE THIS PRODUCT MAKING IT UNSAFE




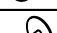



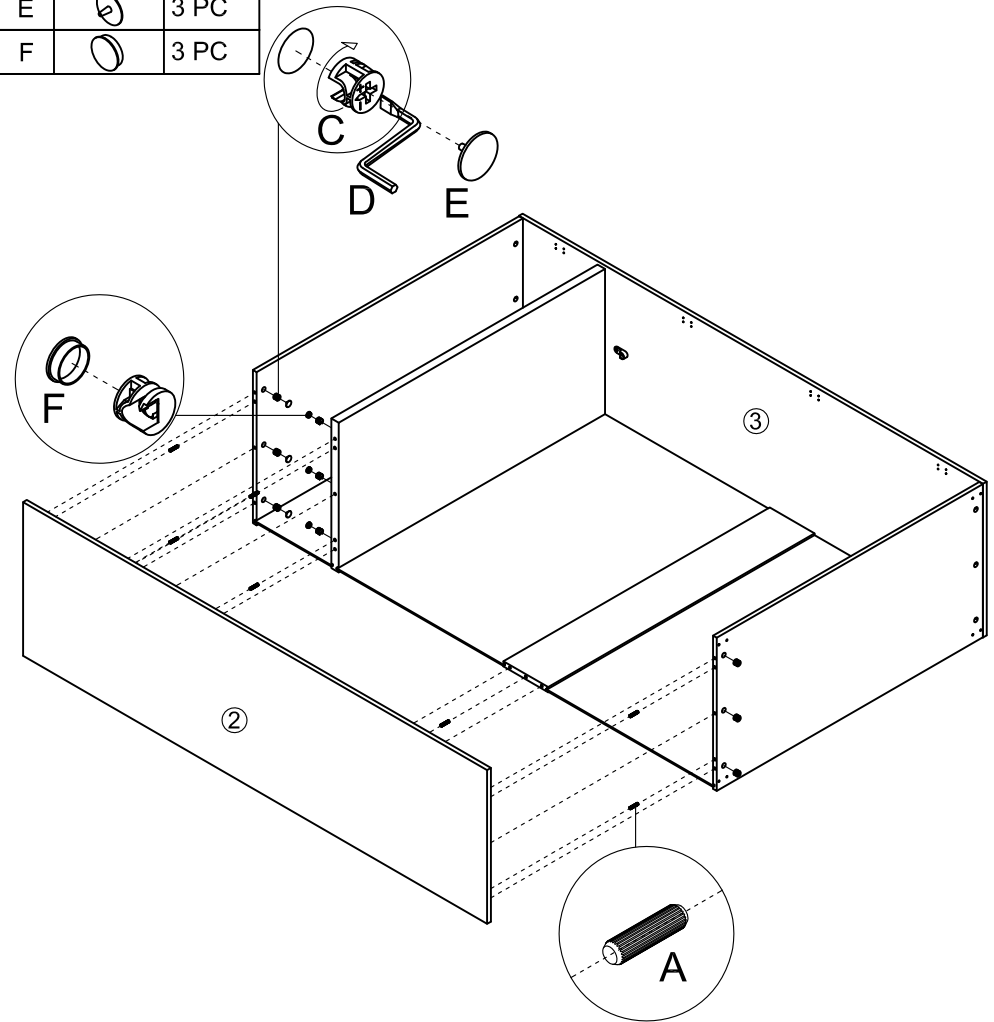
### STEP 3



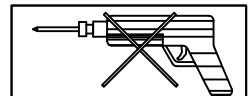
### STEP 4

You will need:

|   |   |      |
|---|---|------|
| A |  | 7 PC |
| C |  | 9 PC |
| D |  | 1 PC |
| E |  | 3 PC |
| F |  | 3 PC |



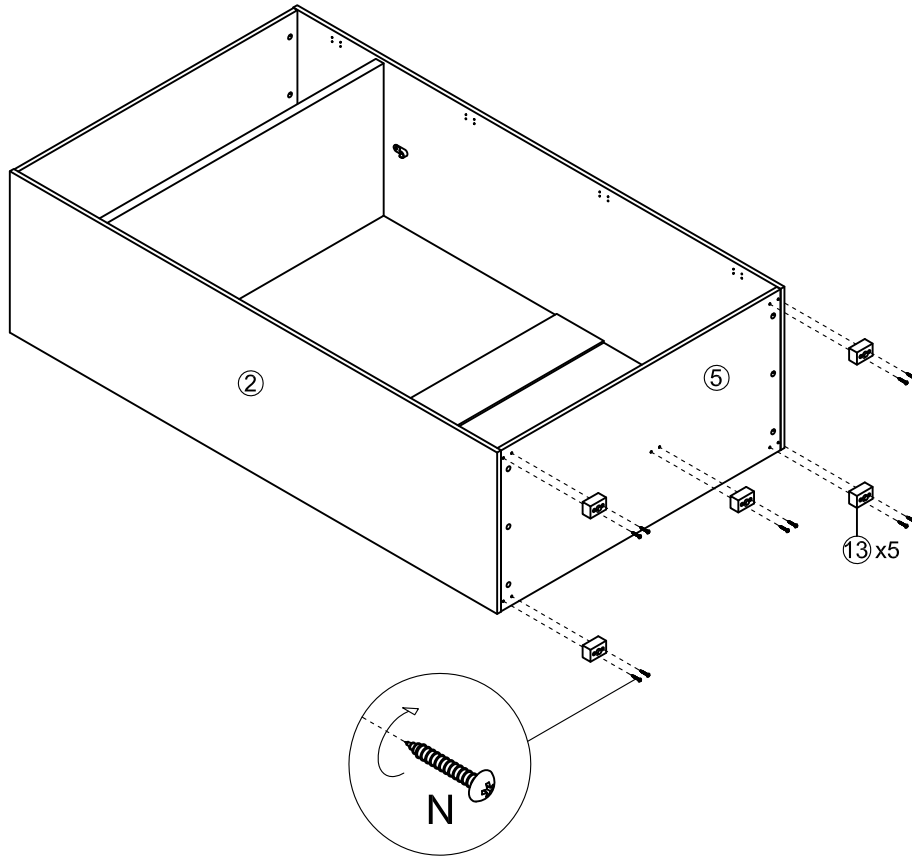
THE USE OF POWER TOOLS TO ASSEMBLE THIS PRODUCT WILL INVALIDATE ANY CLAIM AND ANY DAMAGE THIS PRODUCT MAKING IT UNSAFE



### STEP 5





You will need:

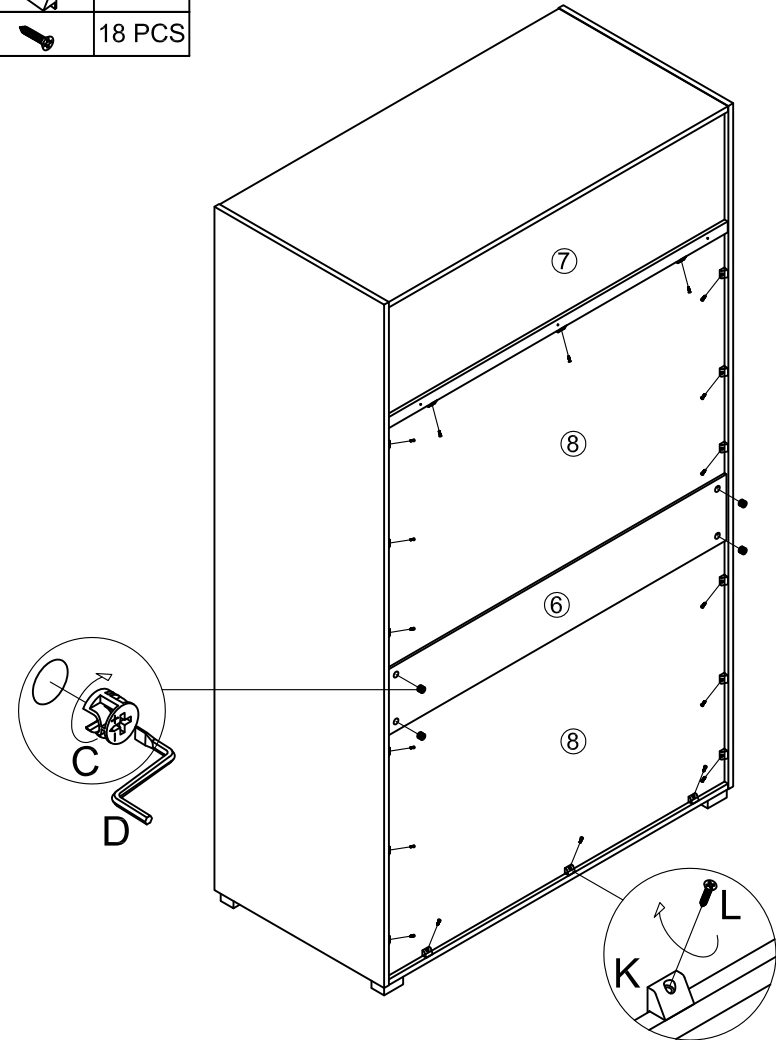
|   |   |        |
|---|---|--------|
| N |  | 10 PCS |
|---|---|--------|



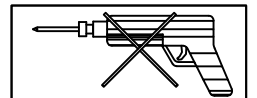
### STEP 6

You will need:

|   |   |        |
|---|---|--------|
| C |  | 4 PCS  |
| D |  | 1 PC   |
| K |  | 18 PCS |
| L |  | 18 PCS |






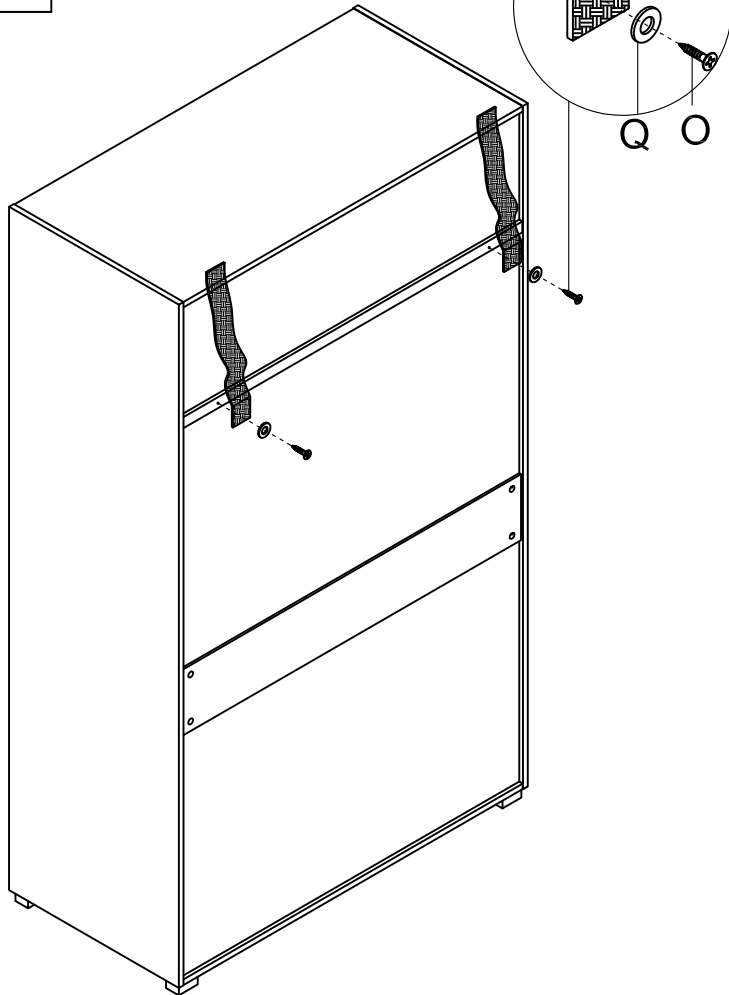
THE USE OF POWER TOOLS TO ASSEMBLE THIS PRODUCT WILL INVALIDATE ANY CLAIM AND ANY DAMAGE THIS PRODUCT MAKING IT UNSAFE



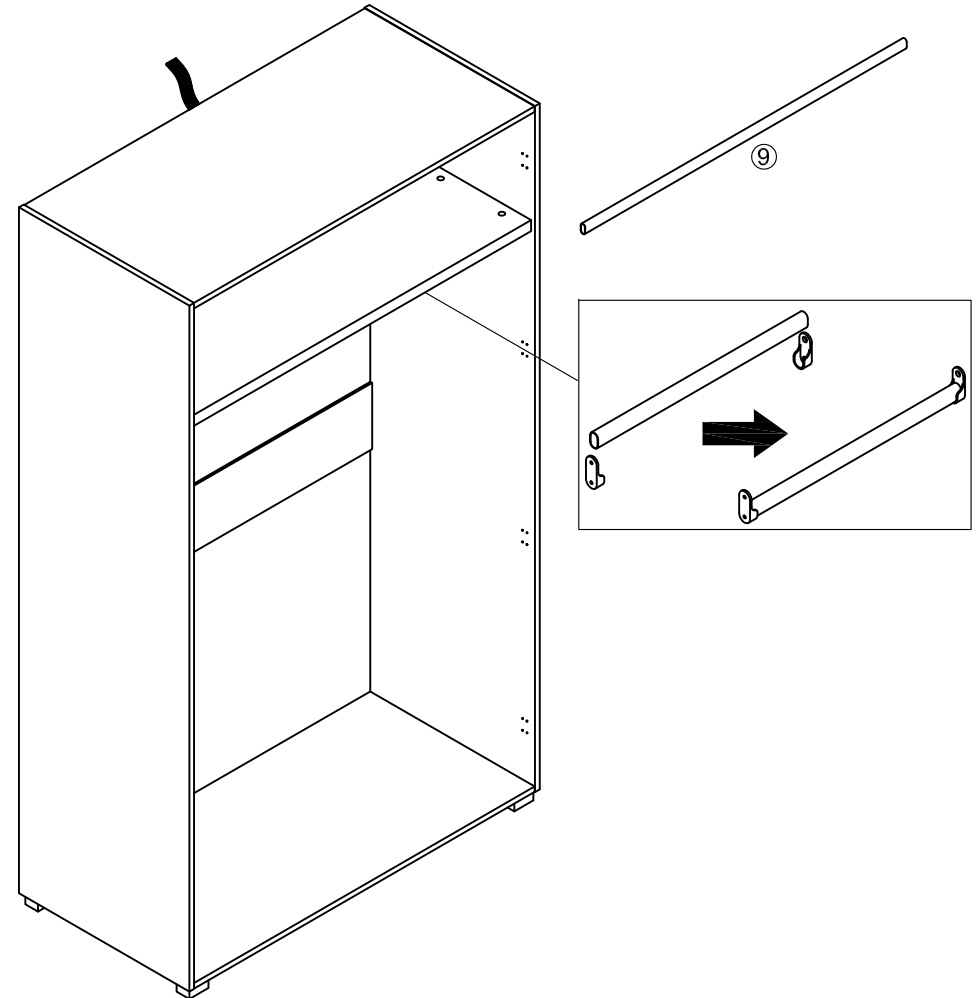
## STEP 7

You will need:

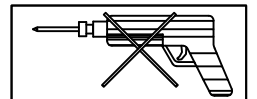
|   |   |       |
|---|---|-------|
| O |  | 2 PCS |
| Q |  | 2 PCS |
| R |  | 2 PCS |



## STEP 8






THE USE OF POWER TOOLS TO ASSEMBLE THIS PRODUCT WILL INVALIDATE ANY CLAIM AND ANY DAMAGE THIS PRODUCT MAKING IT UNSAFE

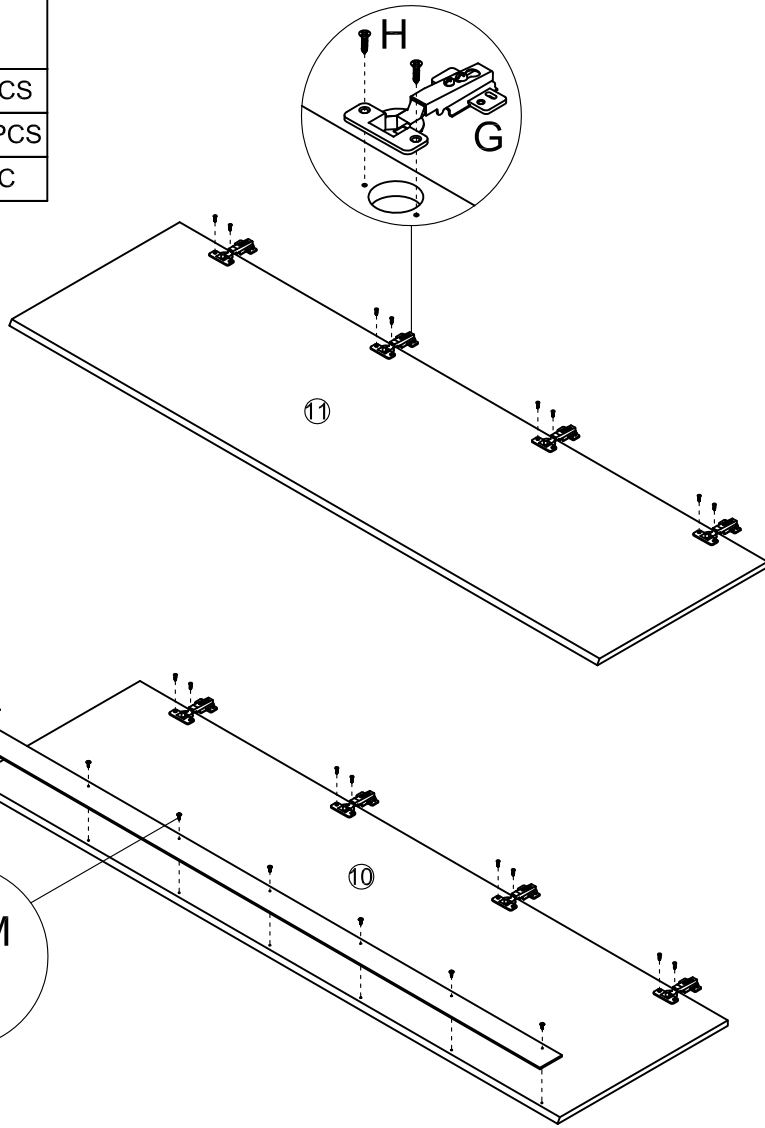




### STEP 9

You will need:

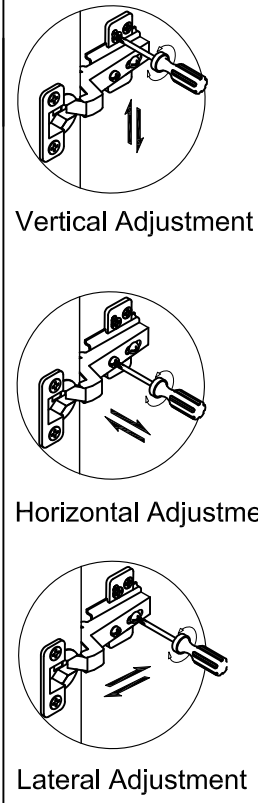
|   |   |        |
|---|---|--------|
| G |  | 8 PCS  |
| H |  | 16 PCS |
| M |  | 7 PC   |



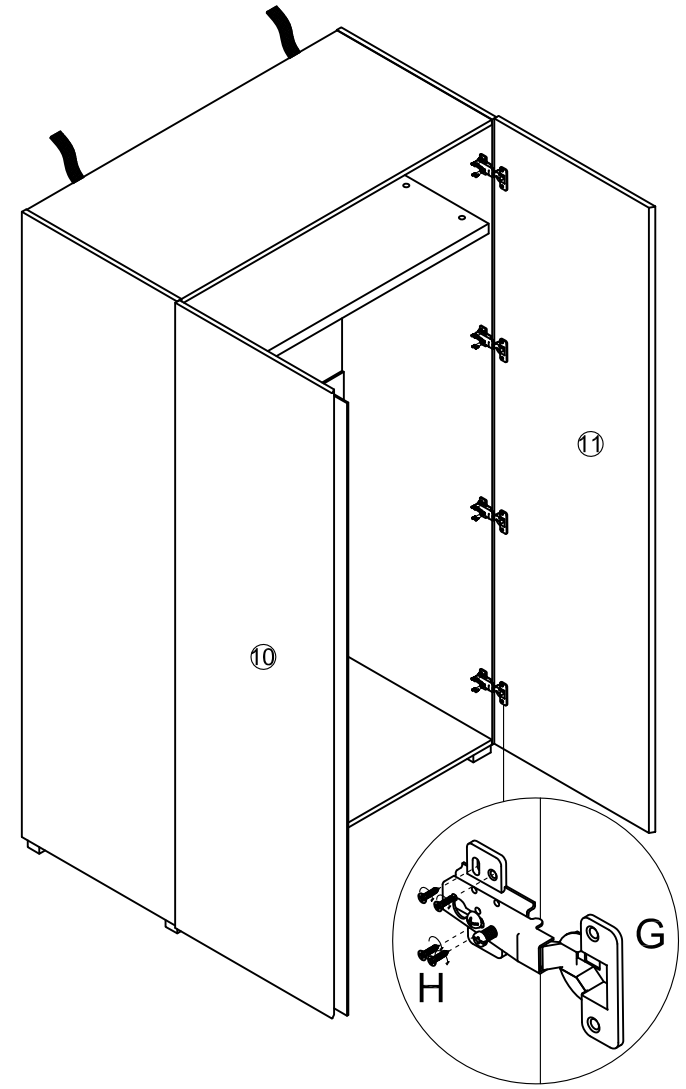
### STEP 10

You will need:

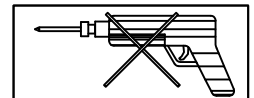
|   |   |        |
|---|---|--------|
| H |  | 32 PCS |
|---|---|--------|



If necessary, adjust the door hinges as shown below. The hinges may need adjusting once the Wardrobe contains clothing and/or is moved.






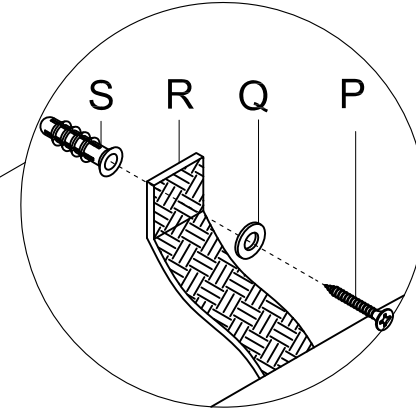
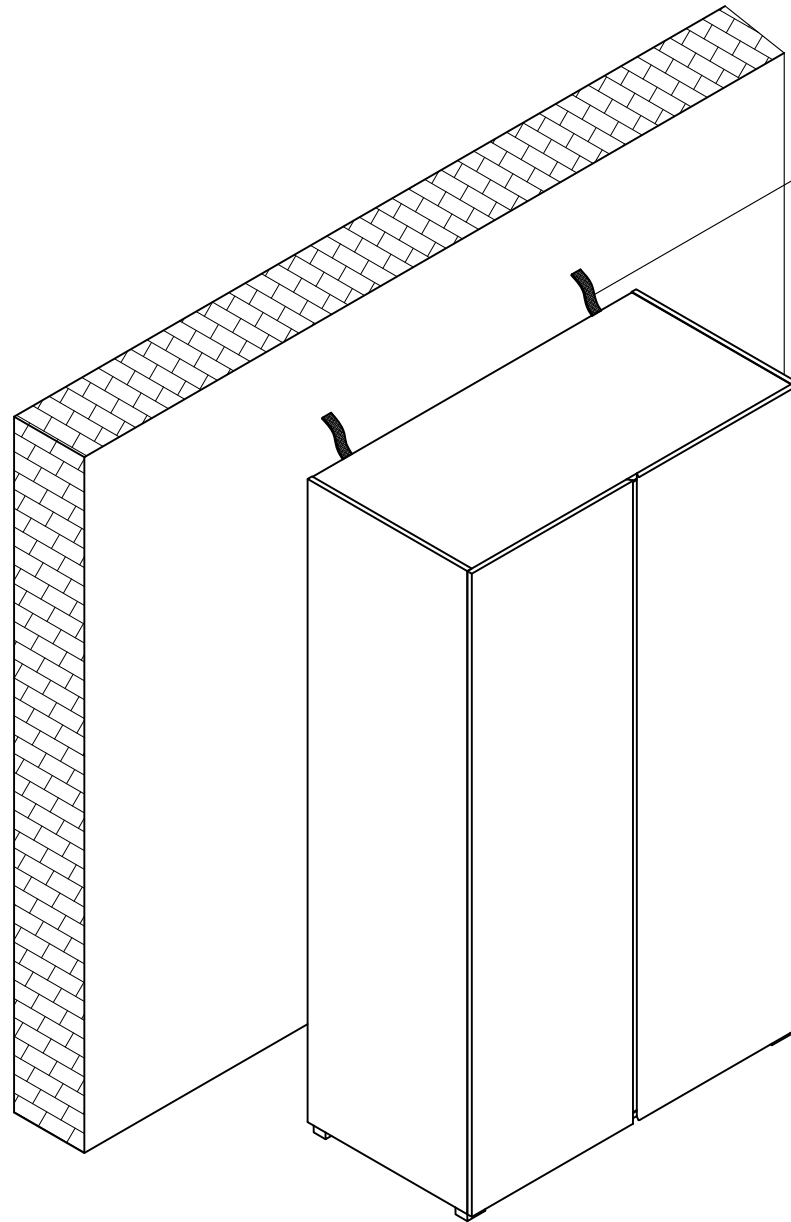
THE USE OF POWER TOOLS TO ASSEMBLE THIS PRODUCT WILL INVALIDATE ANY CLAIM AND ANY DAMAGE THIS PRODUCT MAKING IT UNSAFE



# STEP 11

You will need:

|   |   |       |
|---|---|-------|
| P |  | 2 PCS |
| Q |  | 2 PCS |
| S |  | 2 PCS |



THE USE OF POWER TOOLS TO ASSEMBLE THIS PRODUCT WILL INVALIDATE ANY CLAIM AND ANY DAMAGE THIS PRODUCT MAKING IT UNSAFE

