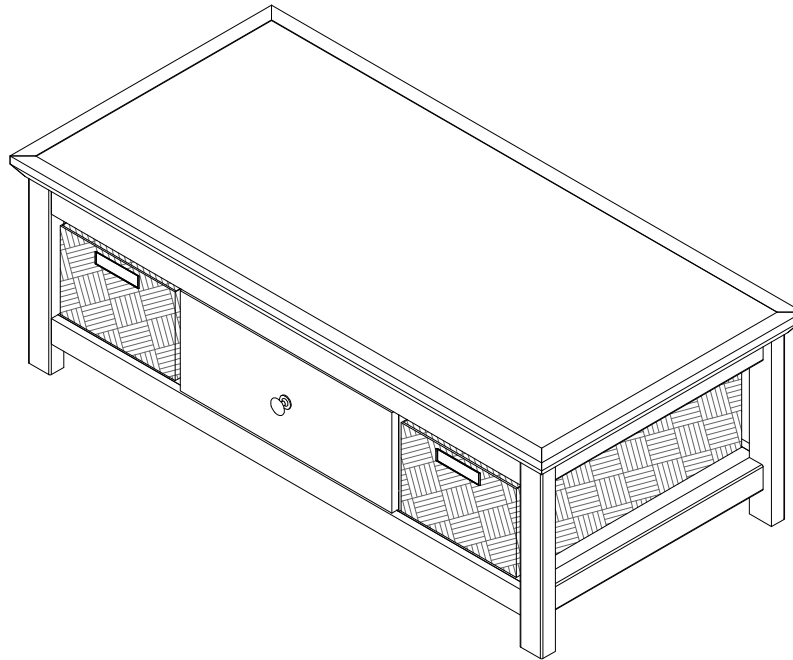


# COTSWOLD COFFEE TABLE ASSEMBLY INSTRUCTIONS



## **IMPORTANT PLEASE READ BEFORE YOU CONTINUE FURTHER**

THE PRODUCT YOU HAVE PURCHASED WILL GIVE YOU MANY YEARS OF SERVICE IF YOU FOLLOW THE GUIDELINES FOR ITS SAFE ASSEMBLY AND PERIODIC MAINTENANCE AND CLEANING...

DO NOT USE ANY TOOLS OTHER THAN THOSE SHOWN.  
ASSEMBLE ON A SOFT CLEAN SURFACE.

ANY SPANNERS OR ALLEN KEYS REQUIRED ARE INCLUDED WITH THE FITTINGS KIT.

DO NOT FOR ANY REASON USE A POWER TOOL TO ASSEMBLE THIS PRODUCT. ITS USE WILL INVALIDATE ANY CLAIM YOU MAY HAVE AND COULD MAKE THIS PRODUCT UNSAFE.

DEPENDING ON THE AMOUNT OF USE THIS PRODUCT RECEIVES IT MAY BE NECESSARY TO TIGHTEN UP THE FIXINGS FROM TIME TO TIME. THIS IS COMPLETELY NORMAL FOR ANY FLAT PACK FURNITURE.

FOR CLEANING YOU MAY USE A DAMP CLOTH (NOT WET) OR DRY DUSTER.

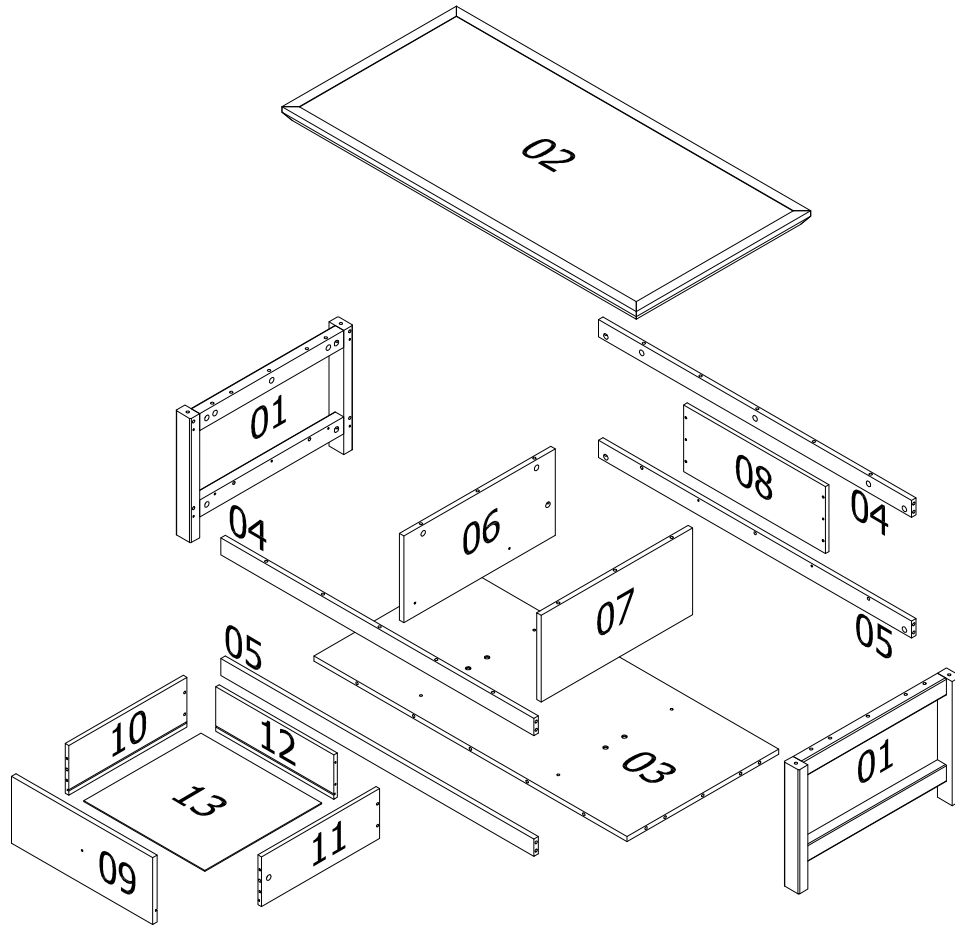
DO NOT USE ABRASIVE OR CHEMICAL CLEANERS AS THESE COULD SCRATCH OR DAMAGE THE SURFACE OF YOUR PRODUCT. WE DO NOT ACCEPT RETURNS FOR INCORRECT CARE OF PRODUCTS.

THE SURFACE OF THIS ITEM IS NOT HEAT RESISTANT.

ALWAYS USE A MAT UNDER HOT OR COLD ITEM TO PREVENT MARKING.

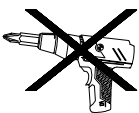
PLEASE KEEP THE ORIGINAL PACKING UNTIL YOUR ITEM IS FULLY ASSEMBLED AND IN PLACE, IN THE UNLIKELY EVEN YOU NEED TO RETURN THE PRODUCT, IT MUST BE RETURNED BACK IN ITS ORIGINAL PACKING TO AVOID DAMAGE.

# PART LIST




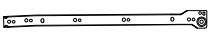
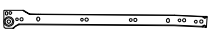
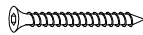






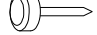
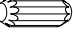
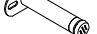
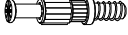





NO.	PART NAME	QTY
1	SIDE PANEL (LEFT & RIGHT)	2
2	TOP PANEL	1
3	BOTTOM PANEL	1
4	FRONT PANEL (TOP)	2
5	FRONT PANEL (BOTTOM)	2
6	DIVIDER PANEL (LEFT)	1
7	DIVIDER PANEL (RIGHT)	1

NO.	PART NAME	QTY
8	BACK PANEL	1
9	DRAWER FRONT	1
10	DRAWER SIDE (LEFT)	1
11	DRAWER SIDE (RIGHT)	1
12	DRAWER BACK	1
13	DRAWER BOTTOM	1



**USE OF POWER TOOLS TO ASSEMBLE THIS PRODUCT WILL INVALIDATE ANY CLAIM AND MAY DAMAGE THIS PRODUCT MAKING IT UNSAFE.**

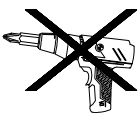
# HARDWARE LIST

A		CSK SCREW M3.5 X 12MM	4	L1		METAL DRAWER SLIDE CR (400MM)	1
B		EURO SCREW M6 X 9MM	4	L2		METAL DRAWER SLIDE CL (400MM)	1
C		JCBC(W) SCREW M6 X 40MM	8	M1		METAL DRAWER SLIDE DR (400MM)	1
D		JCBC SCREW M6 X 12MM	4	M2		METAL DRAWER SLIDE DL (400MM)	1
E		JCN NUT Ø6 X L13MM	4	N		METAL KNOB 702-25=(1PC) WITH SCREW (MC4 X 22MM) =(1PC)	1 SETS
F		WOOD DOWEL (Ø6 X 20MM)	8	P		PLASTIC LEG STUD	4
G		WOOD DOWEL (Ø8 X 25MM)	32	Q		T SHAPE METAL LEG WITH ADJUSTABLE LEG (Ø25 X 95MM)	2
H		9047975 BOLT DOWEL DU319 20X5MM	38	R		ALLEN KEY M4	1
J		9064684 CAM 15/15	36	S		GLUE	3
K		9116018 CAM 15/12	2	T		SEAGRASS BASKET (530MM X 270MM X 180MM)	2

**PLEASE CHECK THAT YOU HAVE ALL THE PARTS LISTED.**

**BEFORE YOU START ASSEMBLING IF YOU FIND THAT SOMETHING IS MISSING DO NOT CONTINUE ASSEMBLY.**

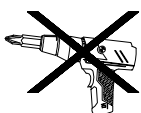
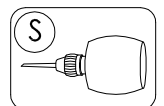
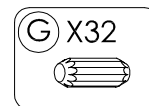
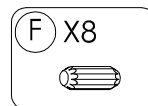
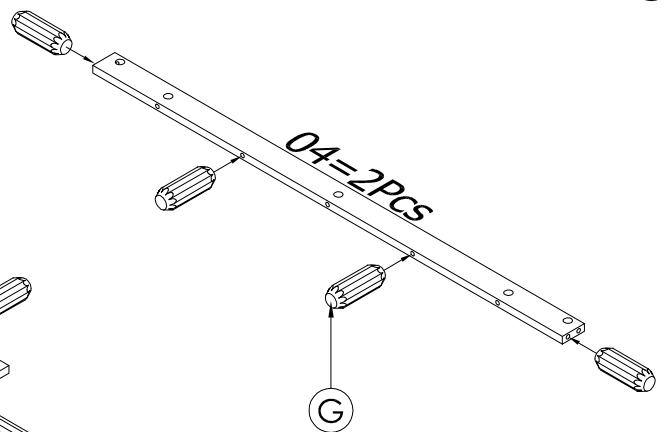
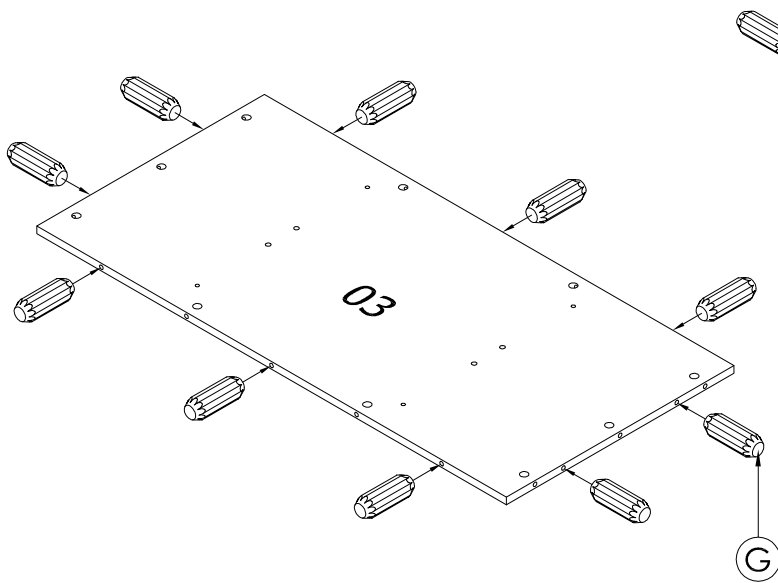
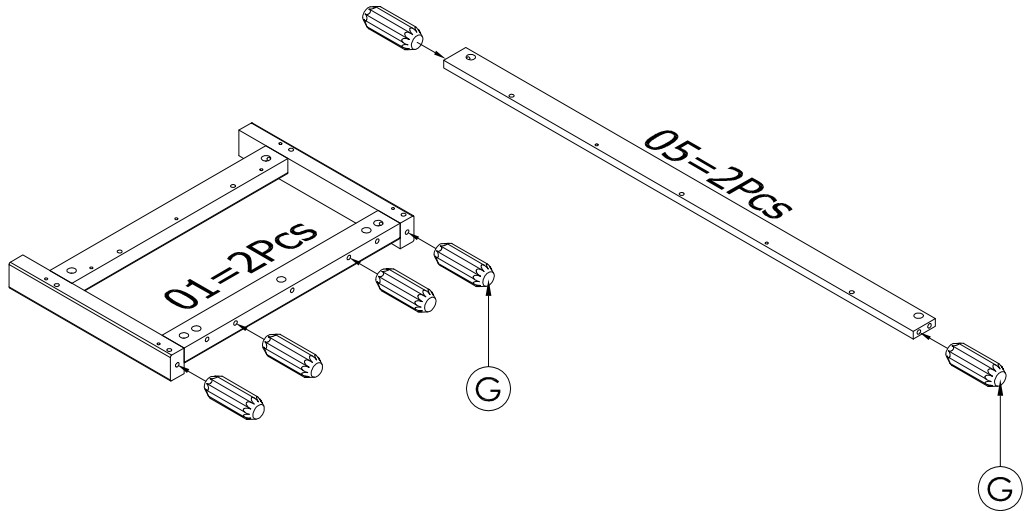
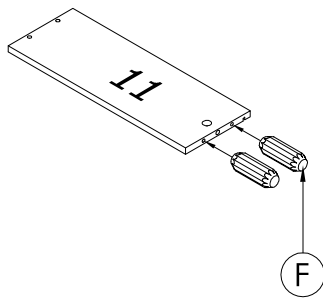
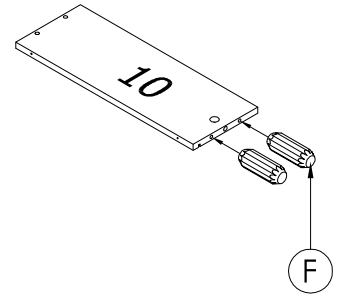
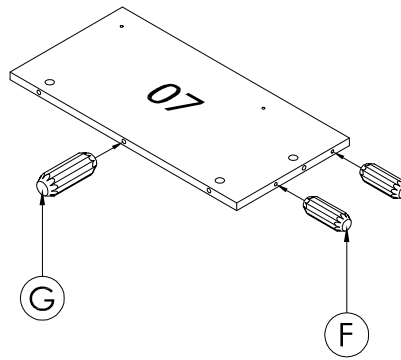
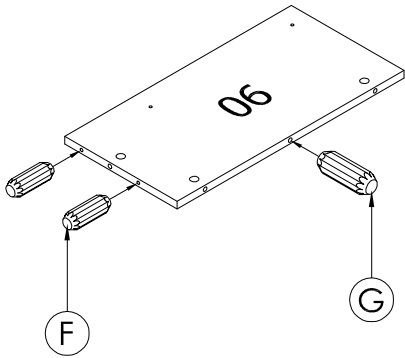
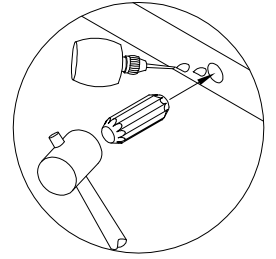
**PLEASE CONTACT YOUR SUPPLIER IMMEDIATELY.**



**USE OF POWER TOOLS TO ASSEMBLE THIS PRODUCT WILL INVALIDATE ANY CLAIM AND MAY DAMAGE THIS PRODUCT MAKING IT UNSAFE.**

# STEP 1

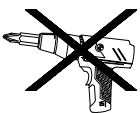
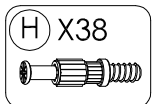
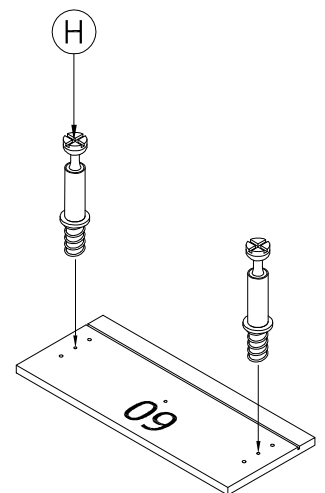
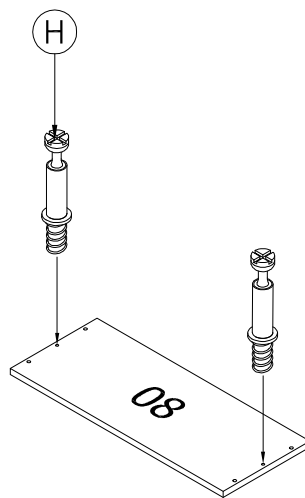
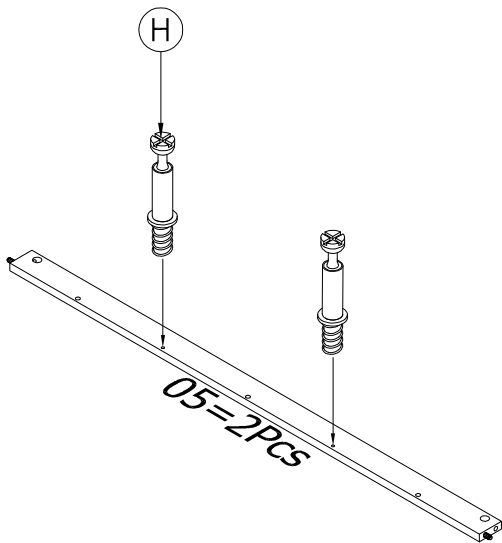
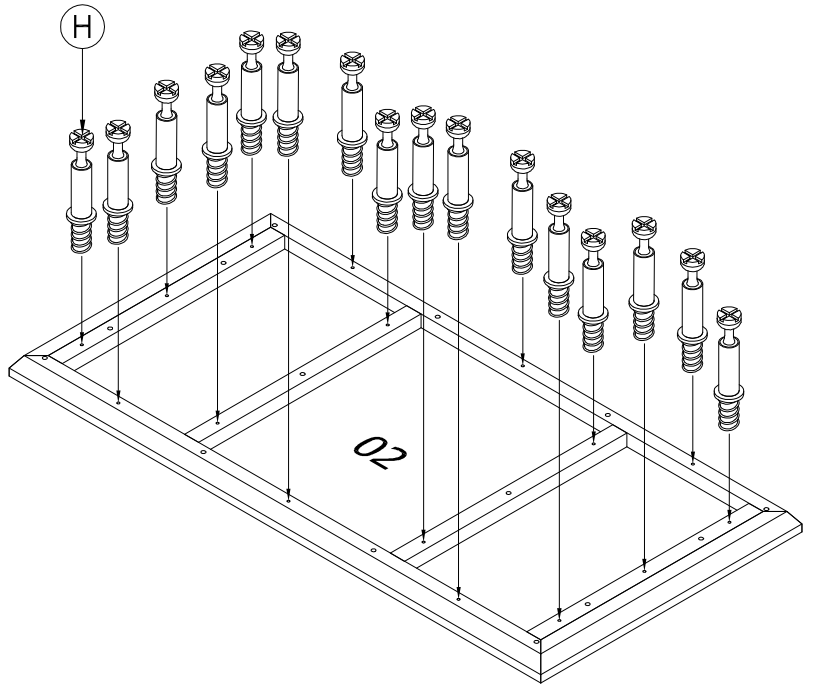
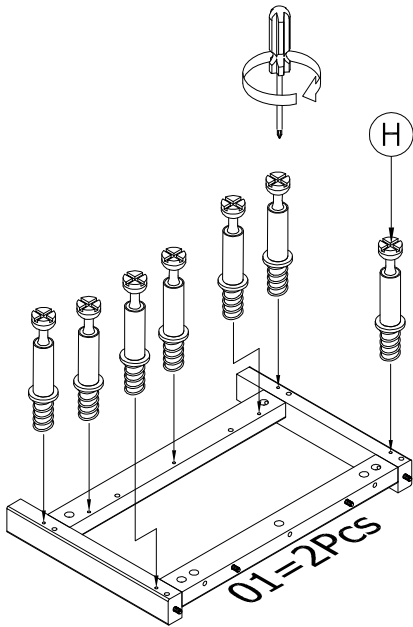
Using glue (S) insert dowel (F & G) into pieces (1, 3, 4, 5, 6, 7, 10 & 11) as shown.



**USE OF POWER TOOLS TO ASSEMBLE THIS PRODUCT WILL INVALIDATE ANY CLAIM AND MAY DAMAGE THIS PRODUCT MAKING IT UNSAFE.**

## STEP 2

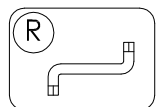
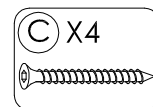
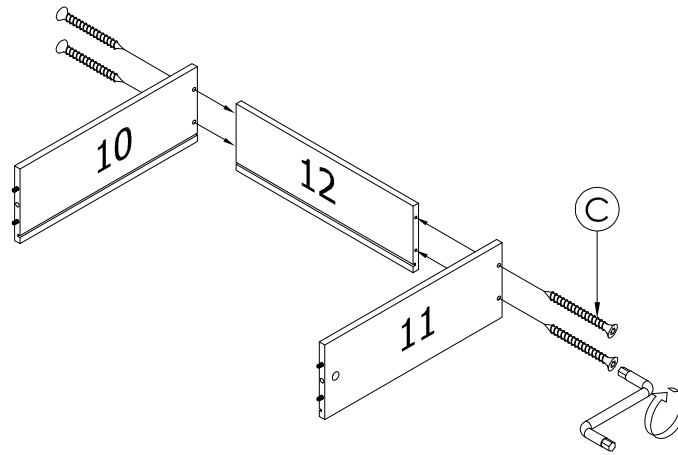
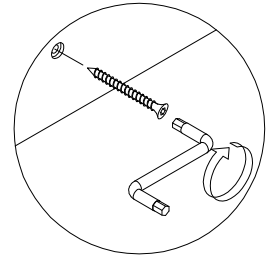
Take all panels (1, 2, 5, 8 & 9), using a drill on low speed / torque or a phillips head screw driver CAM PINS (H) as shown.



USE OF POWER TOOLS TO ASSEMBLE THIS PRODUCT WILL INVALIDATE ANY CLAIM AND MAY DAMAGE THIS PRODUCT MAKING IT UNSAFE.

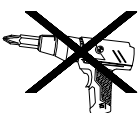
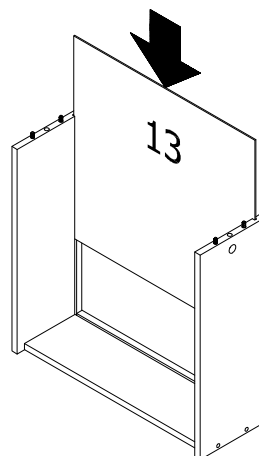
### STEP 3

Attach drawer side (10 & 11) to drawer back (12) using screw (C) as shown.



### STEP 4

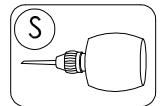
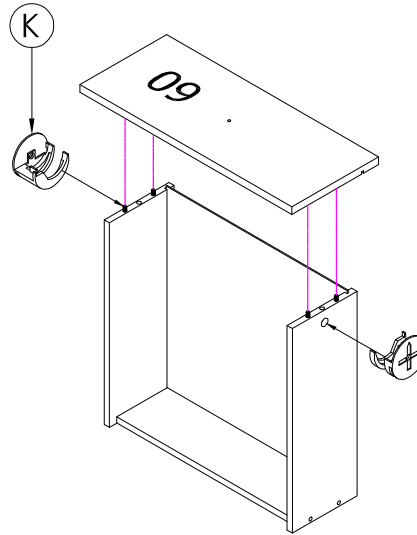
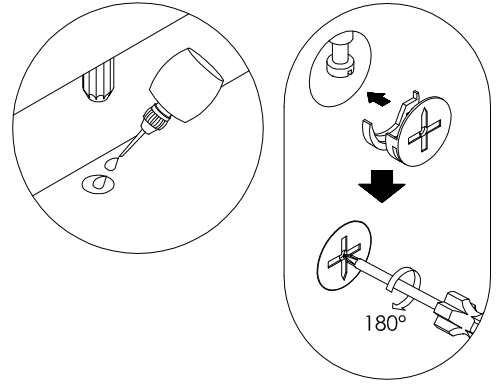
Slot the drawer bottom (13) into body.



**USE OF POWER TOOLS TO ASSEMBLE THIS PRODUCT WILL INVALIDATE ANY CLAIM AND MAY DAMAGE THIS PRODUCT MAKING IT UNSAFE.**

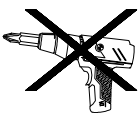
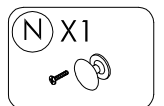
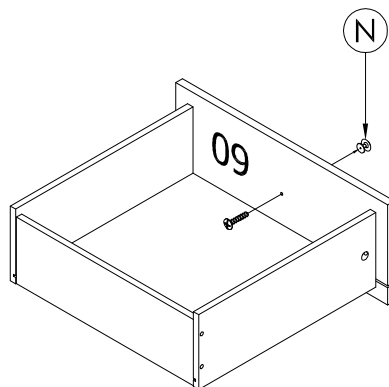
### STEP 5

Using glue (S) attach drawer front (9) to drawer body.  
Fasten into place using CAM LOCKS (K) as shown.



### STEP 6

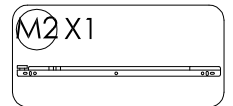
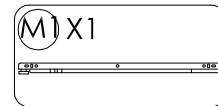
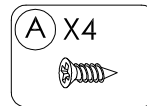
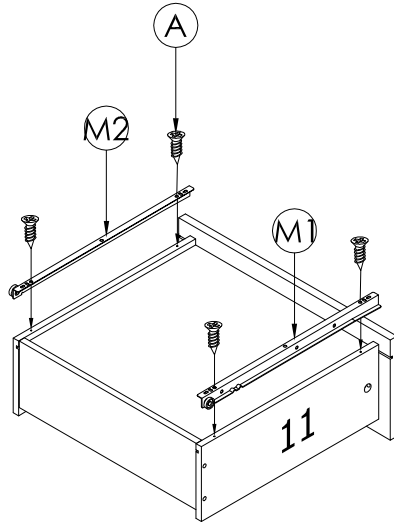
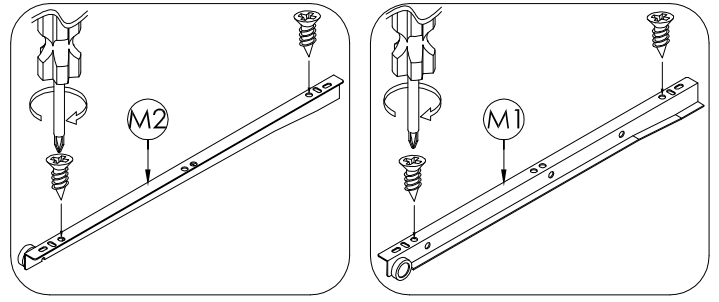
Affix the metal knob (N) to drawer front (9) with 22mm screw.



**USE OF POWER TOOLS TO ASSEMBLE THIS PRODUCT WILL INVALIDATE ANY CLAIM AND MAY DAMAGE THIS PRODUCT MAKING IT UNSAFE.**

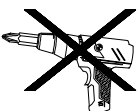
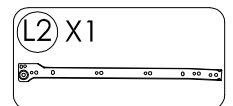
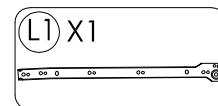
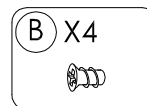
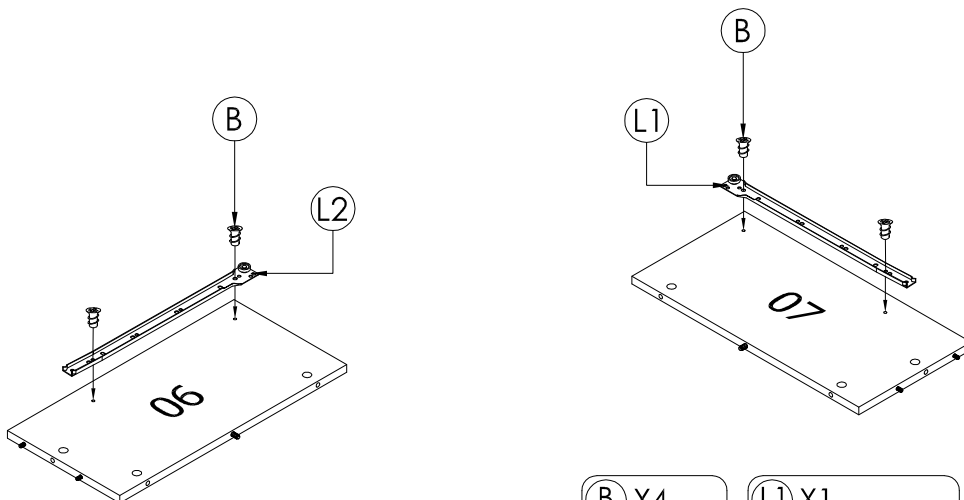
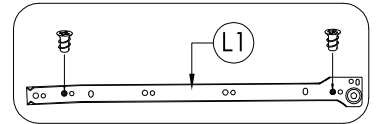
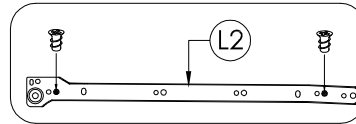
### STEP 7

Attach the drawer slide inserts (M1 & M2) to the base of the drawer side (10 & 11) using 12mm screw (A) as shown.



### STEP 8

Attach drawer slide casing (L1 & L2) to panel (6 & 7) using screw 9mm (B) as shown.

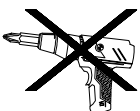
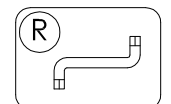
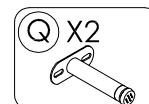
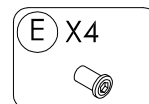
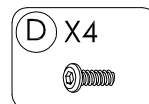
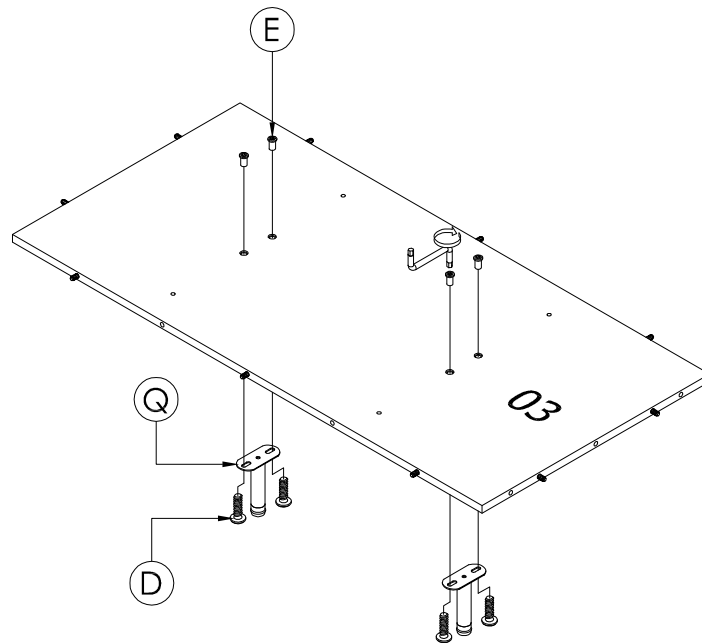
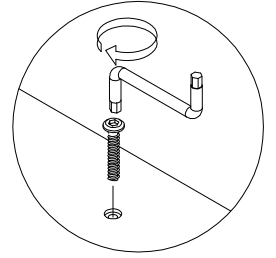


**USE OF POWER TOOLS TO ASSEMBLE THIS PRODUCT WILL INVALIDATE ANY CLAIM AND MAY DAMAGE THIS PRODUCT MAKING IT UNSAFE.**



### STEP 9

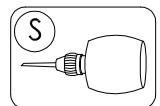
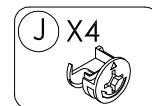
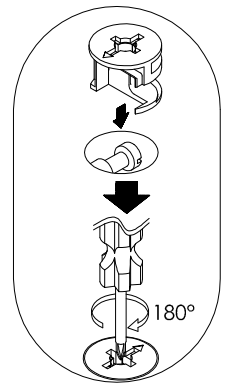
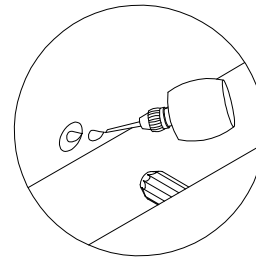
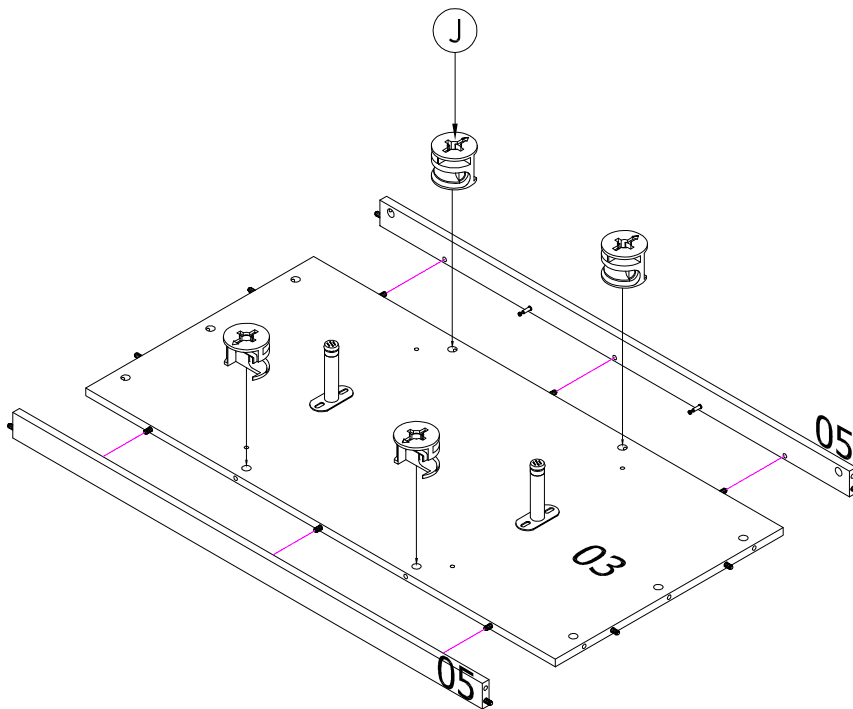
Attach T Shape Metal Leg (Q) to bottom panel (3) with screw (D) and JCN NUT (E) using allen key (R).



**USE OF POWER TOOLS TO ASSEMBLE THIS PRODUCT WILL INVALIDATE ANY CLAIM AND MAY DAMAGE THIS PRODUCT MAKING IT UNSAFE.**

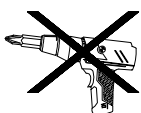
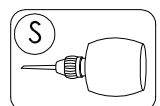
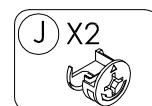
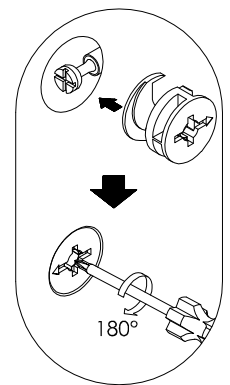
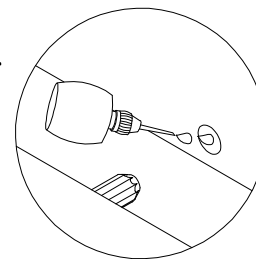
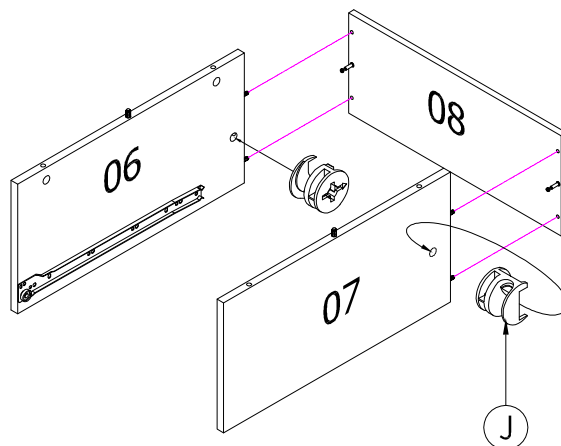
### STEP 10

Attach panels (5) to panel (3) using glue (S) and CAM LOCKS (J) as shown.



### STEP 11

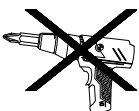
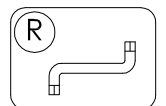
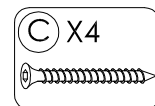
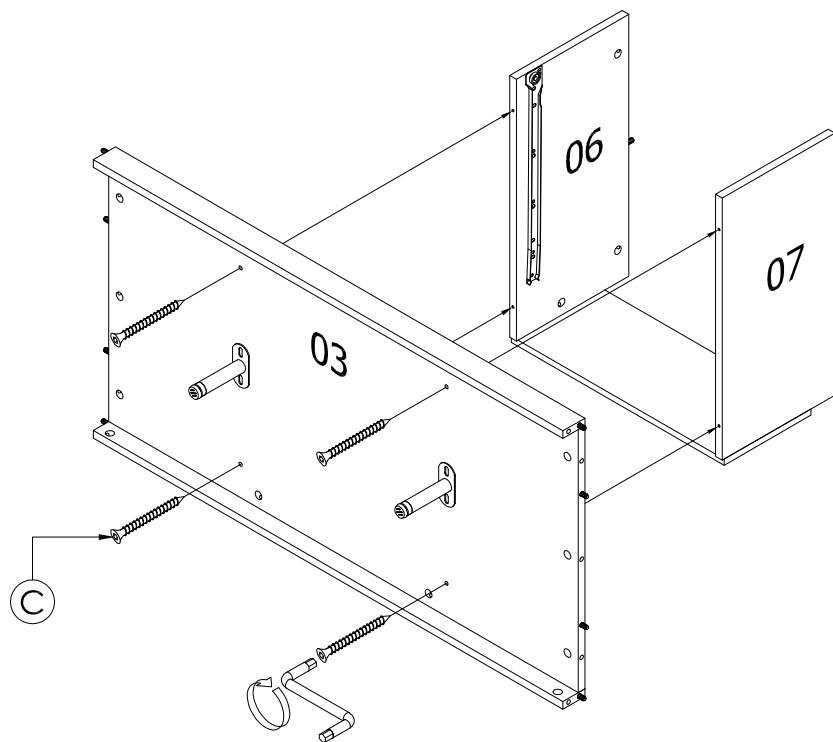
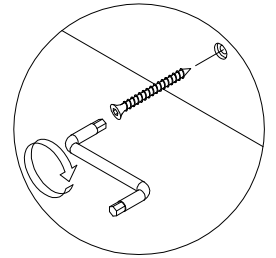
Attach panels (8) to panel (6 & 7) using glue (S) and CAM LOCKS (J) as shown.



**USE OF POWER TOOLS TO ASSEMBLE THIS PRODUCT WILL INVALIDATE ANY CLAIM AND MAY DAMAGE THIS PRODUCT MAKING IT UNSAFE.**

## STEP 12

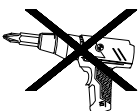
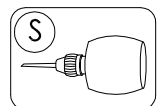
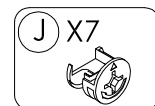
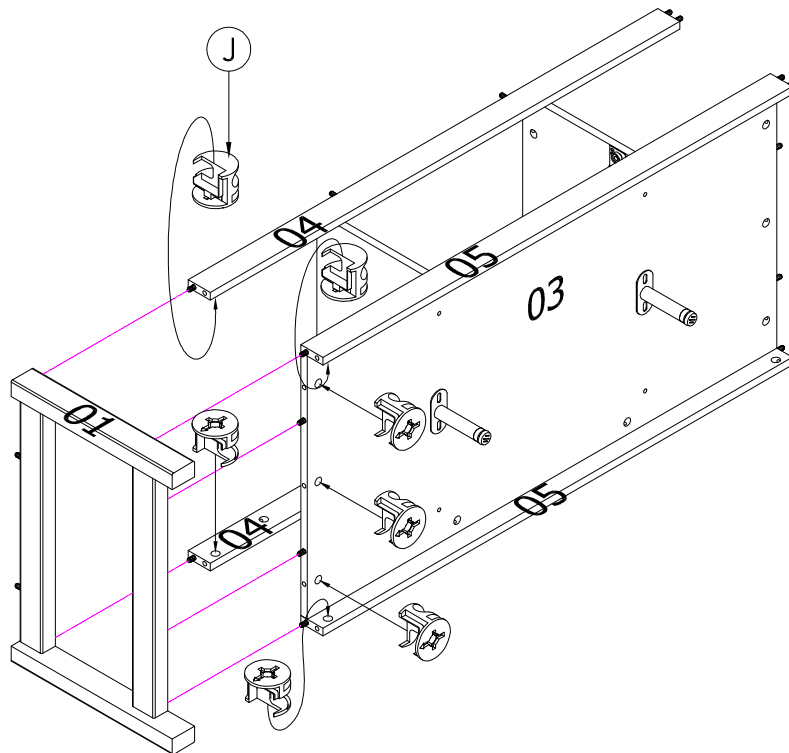
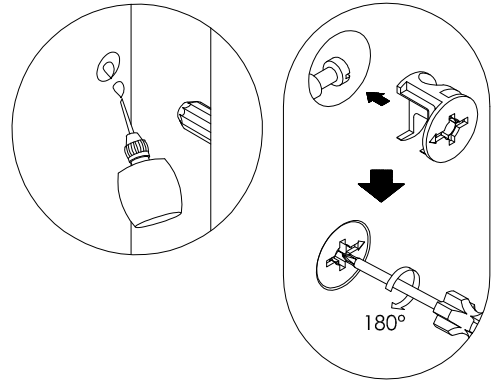
Attach bottom panel (3) to divider panel (6 & 7) using screw 40mm (C) as shown.



**USE OF POWER TOOLS TO ASSEMBLE THIS PRODUCT WILL INVALIDATE ANY CLAIM AND MAY DAMAGE THIS PRODUCT MAKING IT UNSAFE.**

### STEP 13

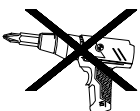
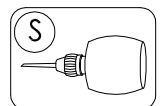
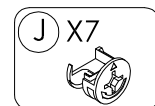
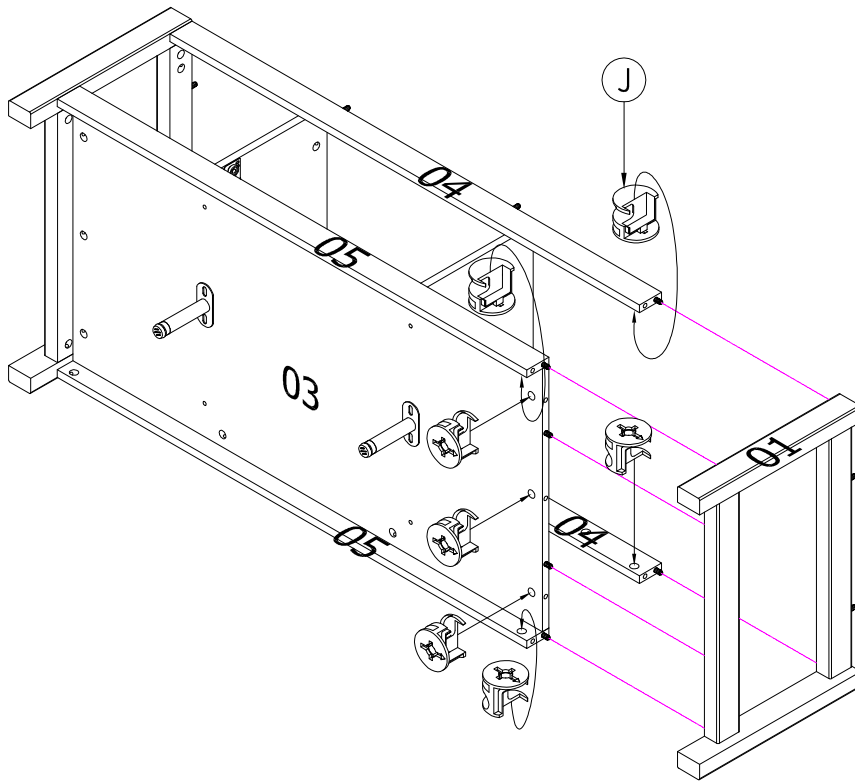
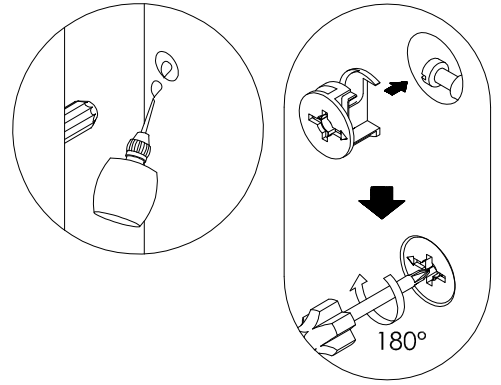
Attach panels (1) to panel (3, 4 & 5) using glue (S), then fasten into place using CAM LOCKS (J) as shown.



**USE OF POWER TOOLS TO ASSEMBLE THIS PRODUCT WILL INVALIDATE ANY CLAIM AND MAY DAMAGE THIS PRODUCT MAKING IT UNSAFE.**

## STEP 14

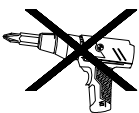
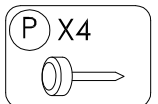
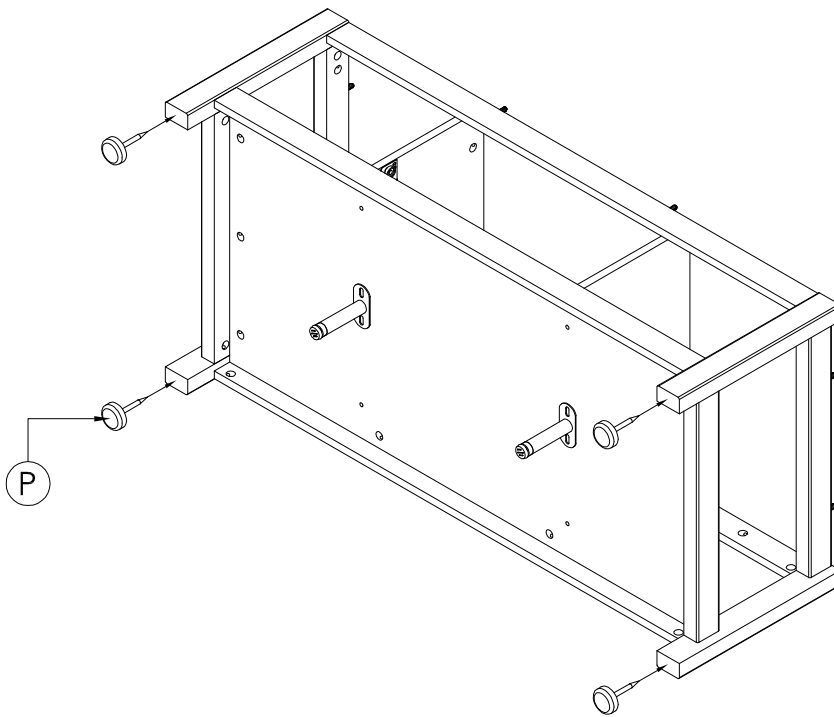
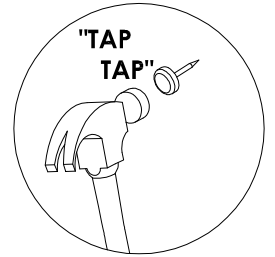
Attach panels (1) to panel (3, 4 & 5) using glue (S), then fasten into place using CAM LOCKS (J) as shown.



**USE OF POWER TOOLS TO ASSEMBLE THIS PRODUCT WILL INVALIDATE ANY CLAIM AND MAY DAMAGE THIS PRODUCT MAKING IT UNSAFE.**

## STEP 15

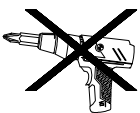
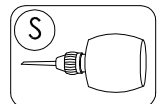
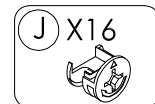
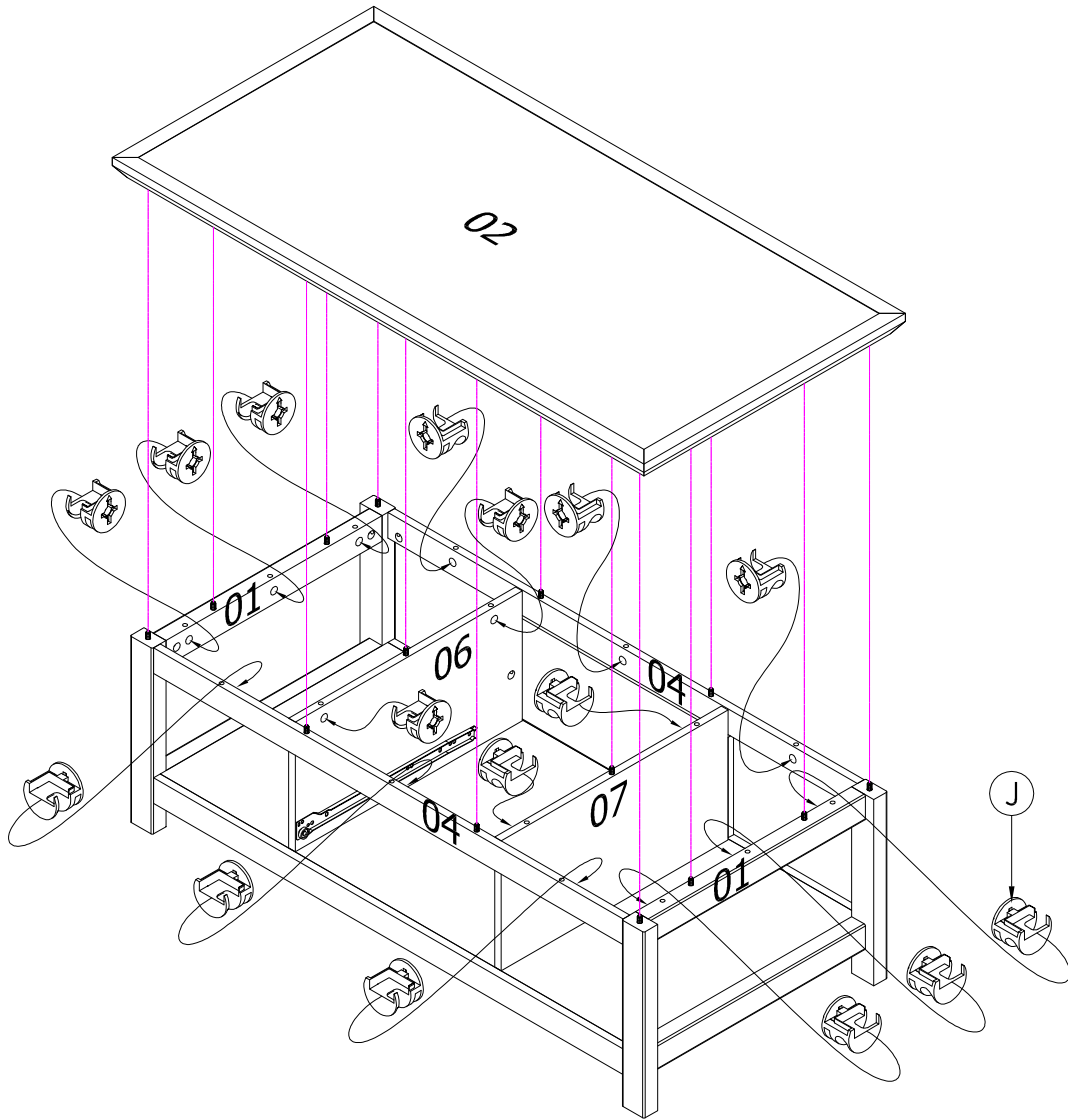
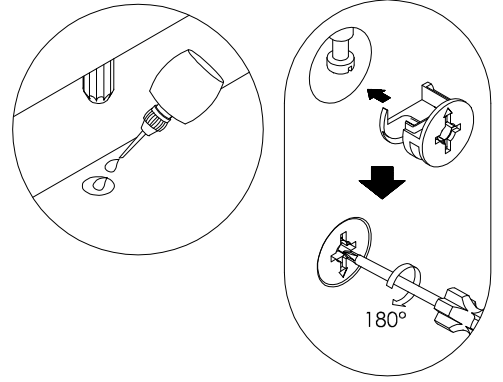
Attach plastic leg stud (P) to bottom as shown.



**USE OF POWER TOOLS TO ASSEMBLE THIS PRODUCT WILL INVALIDATE ANY CLAIM AND MAY DAMAGE THIS PRODUCT MAKING IT UNSAFE.**

## STEP 16

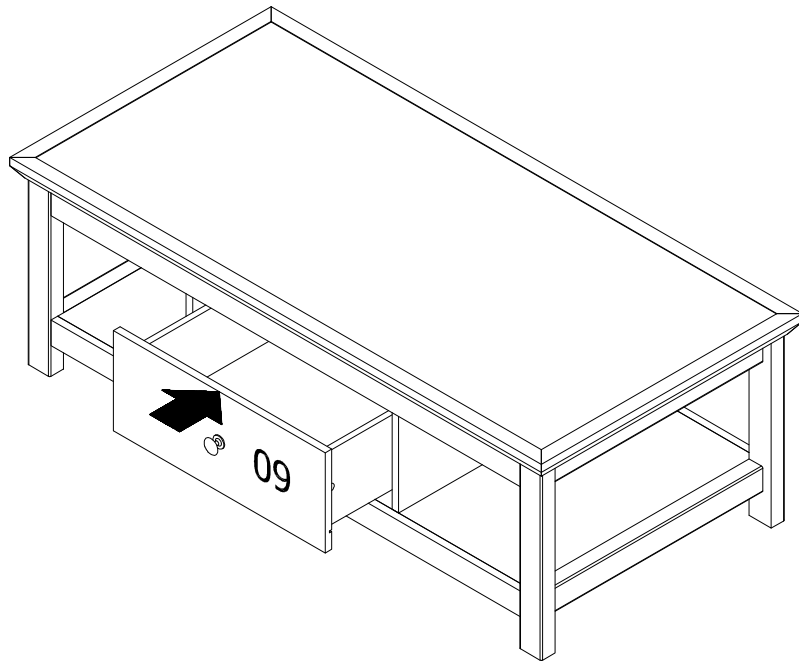
Using glue (S) attach top panel (2) to frame.  
Fasten into place using CAM LOCKS (J) as shown.



**USE OF POWER TOOLS TO ASSEMBLE THIS PRODUCT WILL INVALIDATE ANY CLAIM AND MAY DAMAGE THIS PRODUCT MAKING IT UNSAFE.**

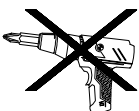
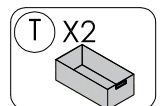
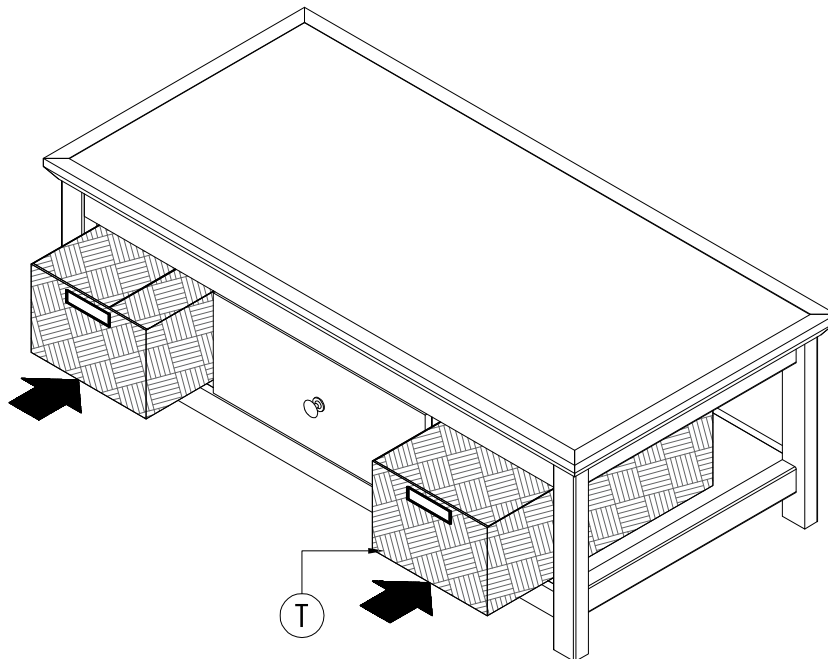
### STEP 17

Affix the drawer to the body.



### STEP 18

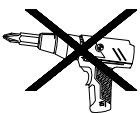
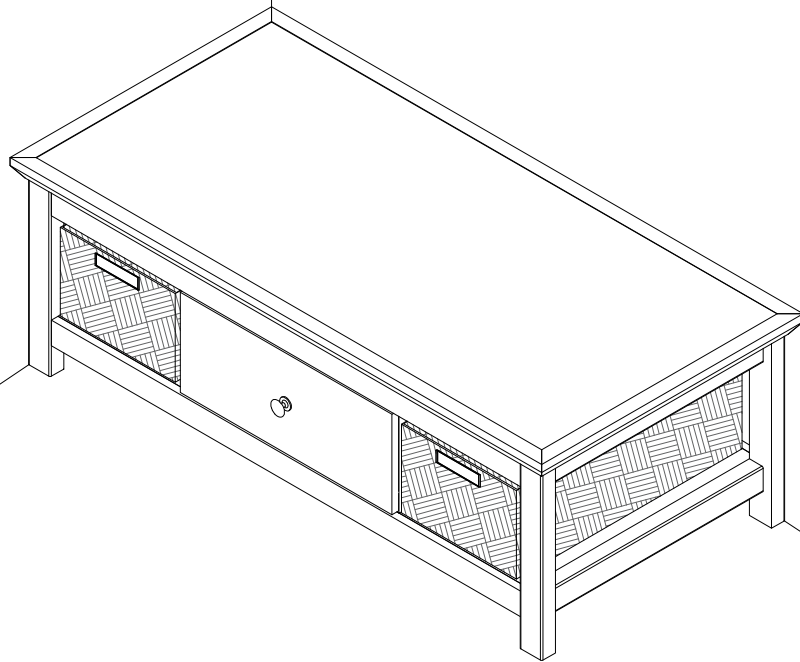
Insert the basket (T) to body.



**USE OF POWER TOOLS TO ASSEMBLE THIS PRODUCT WILL INVALIDATE ANY CLAIM AND MAY DAMAGE THIS PRODUCT MAKING IT UNSAFE.**



**ASSEMBLY IS COMPLETE**



**USE OF POWER TOOLS TO ASSEMBLE THIS PRODUCT WILL INVALIDATE ANY CLAIM AND MAY DAMAGE THIS PRODUCT MAKING IT UNSAFE.**