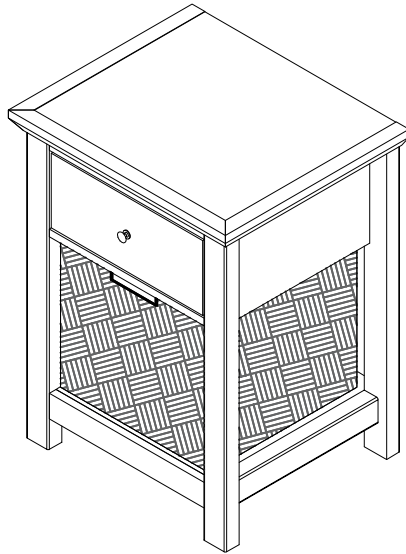


# COTSWOLD LAMP TABLE ASSEMBLY INSTRUCTIONS



## **IMPORTANT PLEASE READ BEFORE YOU CONTINUE FURTHER**

THE PRODUCT YOU HAVE PURCHASED WILL GIVE YOU MANY YEARS OF SERVICE IF YOU FOLLOW THE GUIDELINES FOR ITS SAFE ASSEMBLY AND PERIODIC MAINTENANCE AND CLEANING...

DO NOT USE ANY TOOLS OTHER THAN THOSE SHOWN.  
ASSEMBLE ON A SOFT CLEAN SURFACE.

ANY SPANNERS OR ALLEN KEYS REQUIRED ARE INCLUDED WITH THE FITTINGS KIT.

DO NOT FOR ANY REASON USE A POWER TOOL TO ASSEMBLE THIS PRODUCT. ITS USE WILL INVALIDATE ANY CLAIM YOU MAY HAVE AND COULD MAKE THIS PRODUCT UNSAFE.

DEPENDING ON THE AMOUNT OF USE THIS PRODUCT RECEIVES IT MAY BE NECESSARY TO TIGHTEN UP THE FIXINGS FROM TIME TO TIME. THIS IS COMPLETELY NORMAL FOR ANY FLAT PACK FURNITURE.

FOR CLEANING YOU MAY USE A DAMP CLOTH (NOT WET) OR DRY DUSTER.

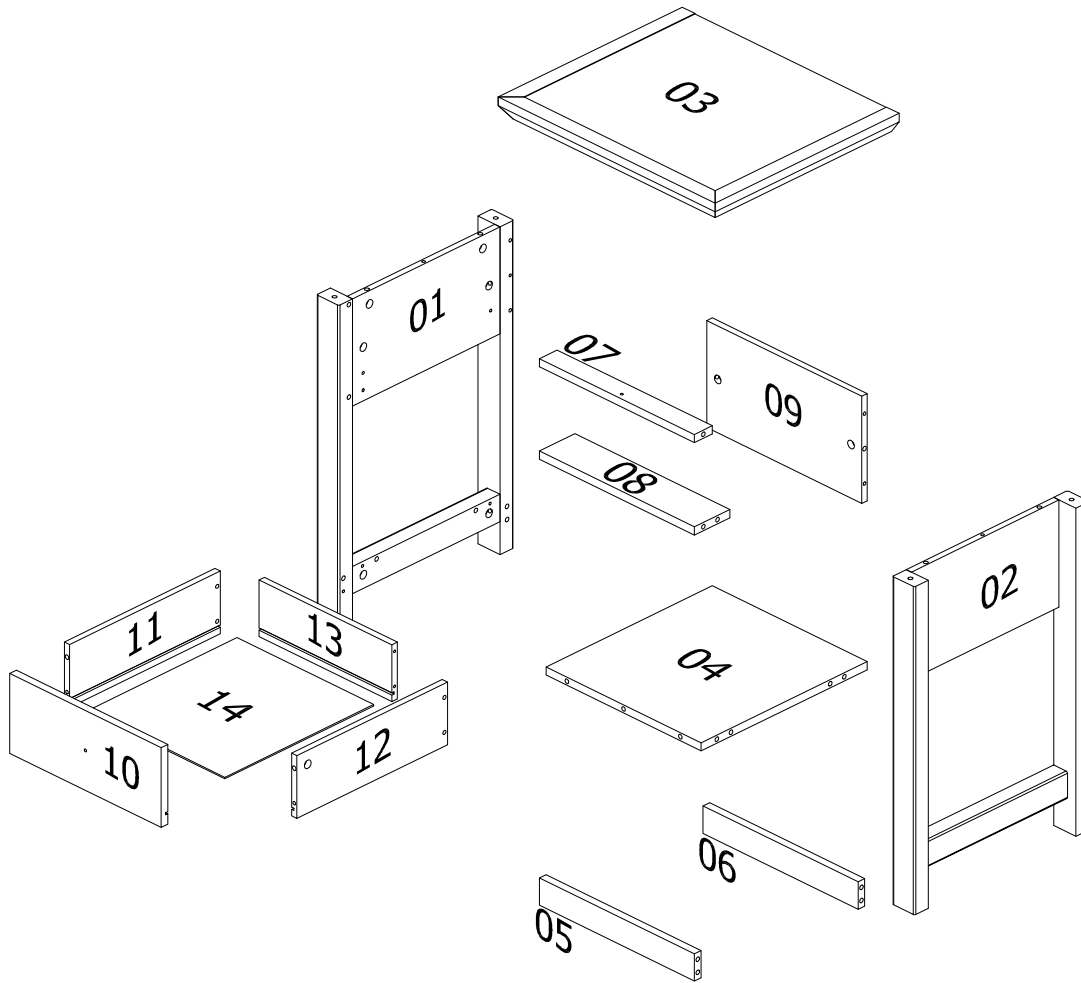
DO NOT USE ABRASIVE OR CHEMICAL CLEANERS AS THESE COULD SCRATCH OR DAMAGE THE SURFACE OF YOUR PRODUCT. WE DO NOT ACCEPT RETURNS FOR INCORRECT CARE OF PRODUCTS.

THE SURFACE OF THIS ITEM IS NOT HEAT RESISTANT.

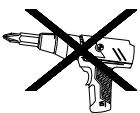
ALWAYS USE A MAT UNDER HOT OR COLD ITEM TO PREVENT MARKING.

PLEASE KEEP THE ORIGINAL PACKING UNTIL YOUR ITEM IS FULLY ASSEMBLED AND IN PLACE, IN THE UNLIKELY EVEN YOU NEED TO RETURN THE PRODUCT, IT MUST BE RETURNED BACK IN ITS ORIGINAL PACKING TO AVOID DAMAGE.

# PART LIST



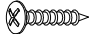
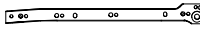

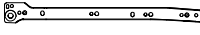

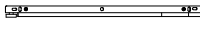
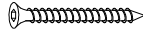


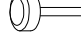
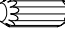
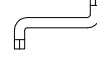
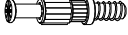
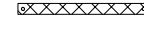

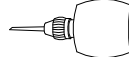

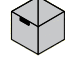


| NO. | PART NAME                 | QTY | NO. | PART NAME           | QTY |
|-----|---------------------------|-----|-----|---------------------|-----|
| 1   | SIDE PANEL (LEFT)         | 1   | 8   | SHELF PANEL         | 1   |
| 2   | SIDE PANEL (RIGHT)        | 1   | 9   | BACK PANEL          | 1   |
| 3   | TOP PANEL                 | 1   | 10  | DRAWER FRONT        | 1   |
| 4   | BOTTOM PANEL              | 1   | 11  | DRAWER SIDE (LEFT)  | 1   |
| 5   | BOTTOM RAIL PANEL (FRONT) | 1   | 12  | DRAWER SIDE (RIGHT) | 1   |
| 6   | BOTTOM RAIL PANEL (BACK)  | 1   | 13  | DRAWER BACK         | 1   |
| 7   | TOP SUPPORT PANEL         | 1   | 14  | DRAWER BOTTOM       | 1   |



**USE OF POWER TOOLS TO ASSEMBLE THIS PRODUCT WILL INVALIDATE ANY CLAIM AND MAY DAMAGE THIS PRODUCT MAKING IT UNSAFE.**

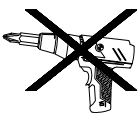
# HARDWARE LIST

|   |   |                                    |    |    |  |  |           |
|---|---|------------------------------------|----|----|--|--|-----------|
| A |  | CSK SCREW<br>M3.5 X 12MM           | 4  | L  |   | METAL KNOB 702-25=(1PC)<br>WITH SCREW (MC4 X 22MM)<br>=(1PC) | 1<br>SETS |
| B |  | TH CB SCREW<br>M4 X 16MM (RB)      | 1  | M1 |  | METAL DRAWER SLIDE<br>CR (350MM)                             | 1         |
| C |  | CSK SCREW<br>M4 X 30MM             | 1  | M2 |  | METAL DRAWER SLIDE<br>CL (350MM)                             | 1         |
| D |  | EURO SCREW<br>M6 X 9MM             | 4  | N1 |  | METAL DRAWER SLIDE<br>DR (350MM)                             | 1         |
| E |  | JCBC(W) SCREW<br>M6 X 40MM         | 4  | N2 |  | METAL DRAWER SLIDE<br>DL (350MM)                             | 1         |
| F |  | WOOD DOWEL<br>(Ø6 X 20MM)          | 8  | P  |   | PLASTIC LEG STUD   | 4         |
| G |  | WOOD DOWEL<br>(Ø8 X 25MM)          | 20 | Q  |  | ALLEN KEY M4   | 1         |
| H |  | 9047975 BOLT DOWEL<br>DU319 20X5MM | 17 | R  |  | PP STRAP 12 X 150 X 1.2MM<br>BLK 2 HOLE WITH EYELET          | 1         |
| J |  | 9064684 CAM 15/15                  | 9  | S  |  | GLUE   | 3         |
| K |  | 9116018 CAM 15/12                  | 8  | T  |  | SEAGRASS BASKET<br>(330MM X 330MM X 300MM)                   | 1         |

**PLEASE CHECK THAT YOU HAVE ALL THE PARTS LISTED.**

**BEFORE YOU START ASSEMBLING IF YOU FIND THAT SOMETHING IS MISSING DO NOT CONTINUE ASSEMBLY.**

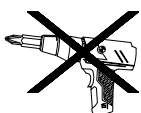
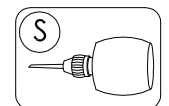
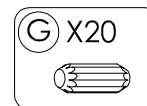
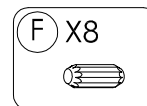
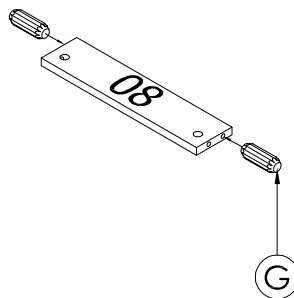
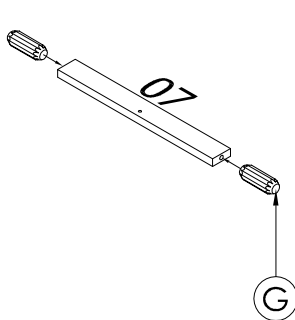
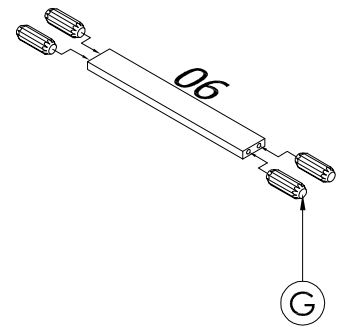
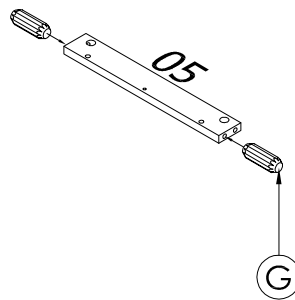
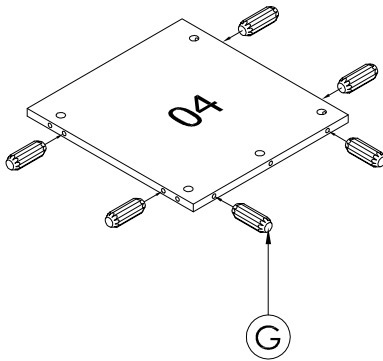
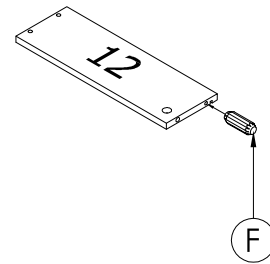
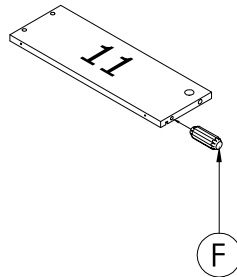
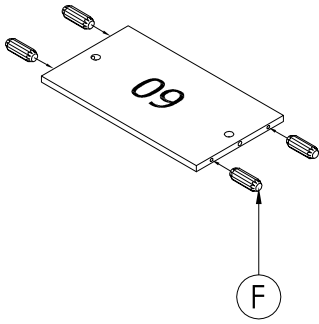
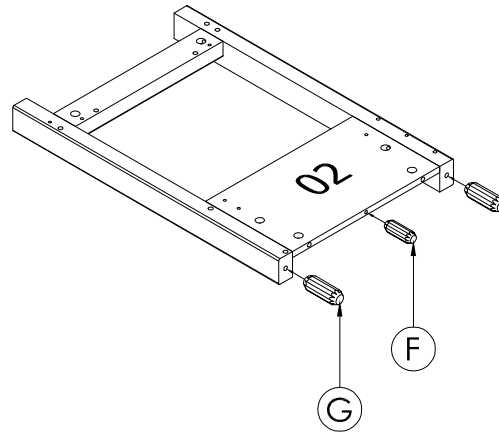
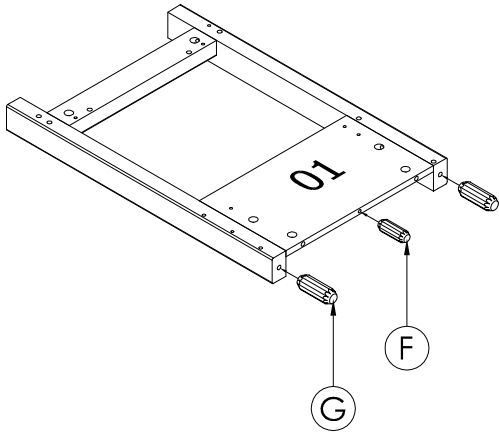
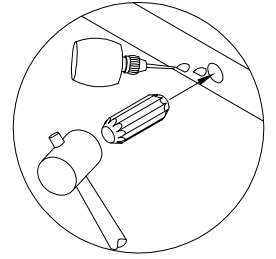
**PLEASE CONTACT YOUR SUPPLIER IMMEDIATELY.**



**USE OF POWER TOOLS TO ASSEMBLE THIS PRODUCT WILL INVALIDATE ANY CLAIM AND MAY DAMAGE THIS PRODUCT MAKING IT UNSAFE.**

# STEP 1

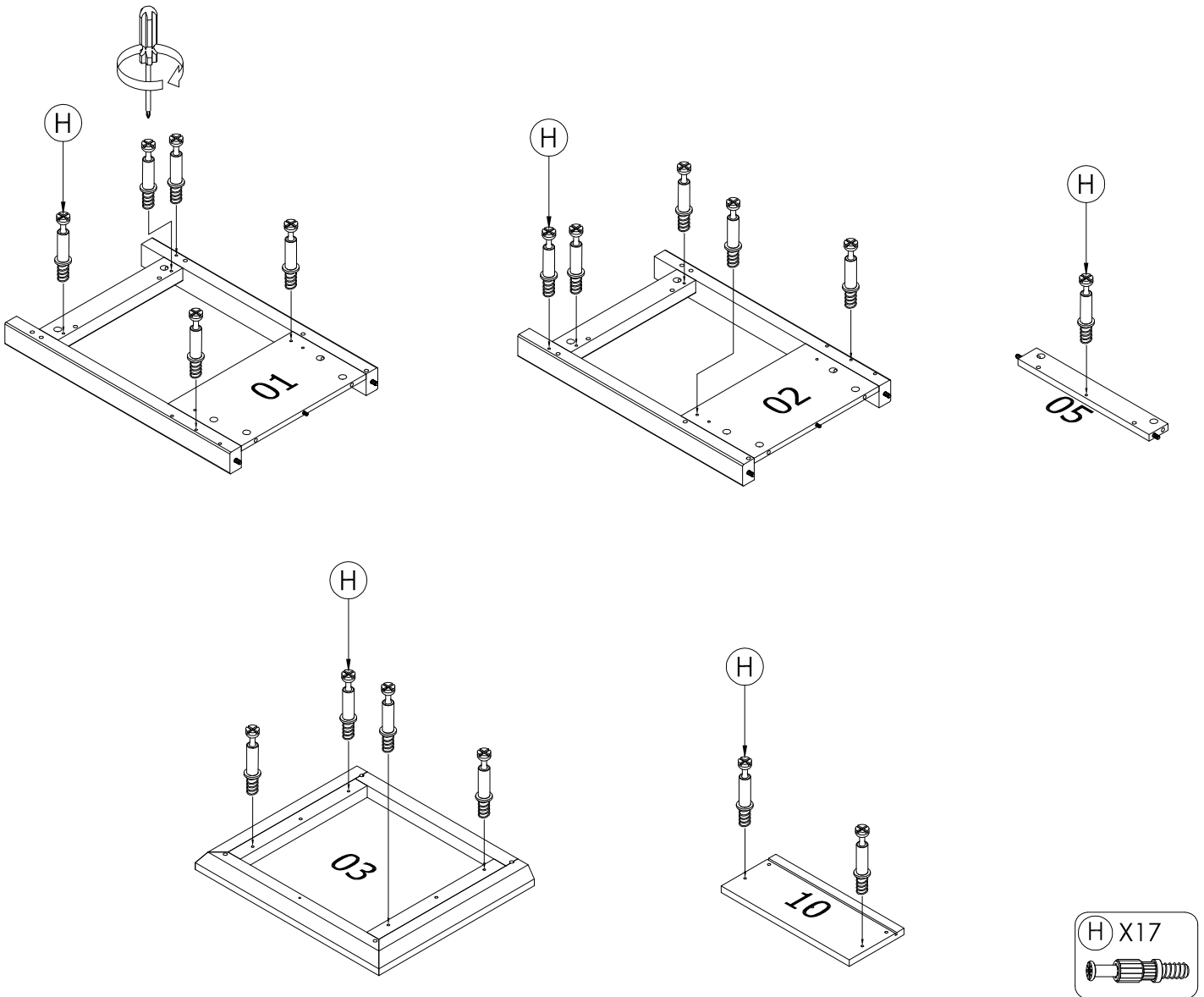
Using glue (S) insert dowel (F & G) into pieces (1, 2, 4, 5, 6, 7, 8, 9, 11 & 12) as shown.



**USE OF POWER TOOLS TO ASSEMBLE THIS PRODUCT WILL INVALIDATE ANY CLAIM AND MAY DAMAGE THIS PRODUCT MAKING IT UNSAFE.**

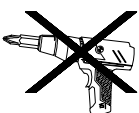
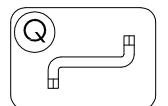
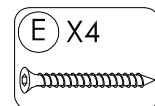
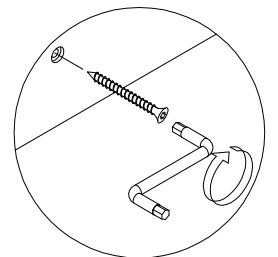
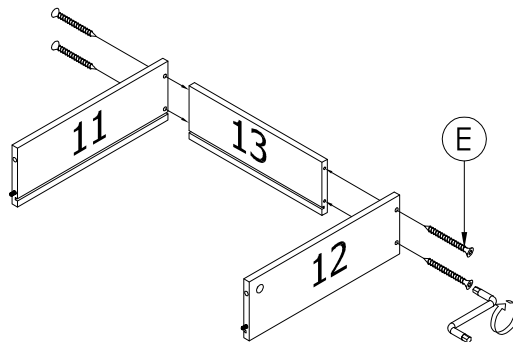
## STEP 2

Take all panels (1, 2, 3, 5 & 10), using a drill on low speed / torque or a phillips head screw driver CAM PINS (H) as shown.



## STEP 3

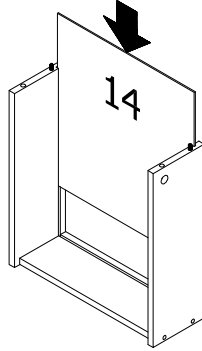
Attach drawer side (11 & 12) to drawer back (13) using screw (E) as shown.



**USE OF POWER TOOLS TO ASSEMBLE THIS PRODUCT WILL INVALIDATE ANY CLAIM AND MAY DAMAGE THIS PRODUCT MAKING IT UNSAFE.**

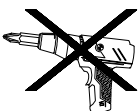
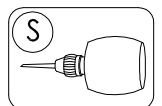
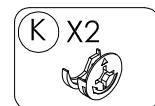
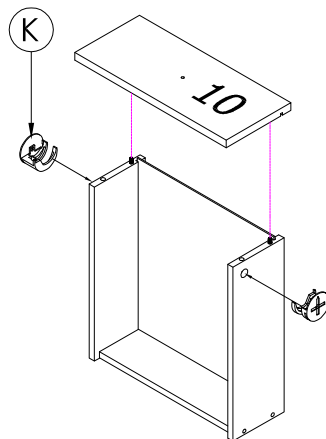
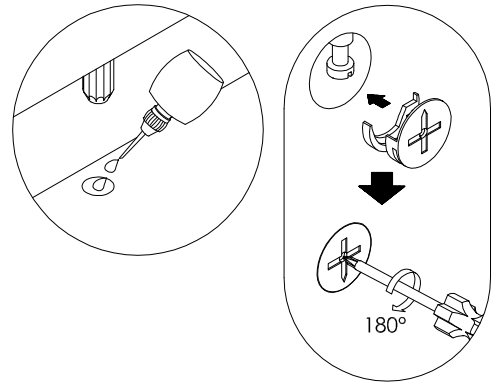
### STEP 4

Slot the drawer bottom (14) into body.



### STEP 5

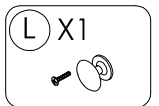
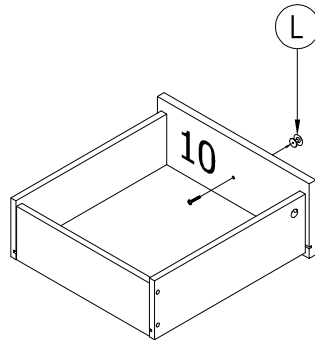
Using glue (S) attach drawer front (10) to drawer body.  
Fasten into place using CAM LOCKS (K) as shown.



**USE OF POWER TOOLS TO ASSEMBLE THIS PRODUCT WILL INVALIDATE ANY CLAIM AND MAY DAMAGE THIS PRODUCT MAKING IT UNSAFE.**

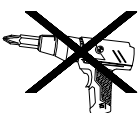
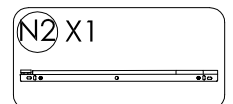
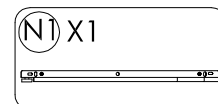
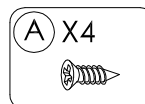
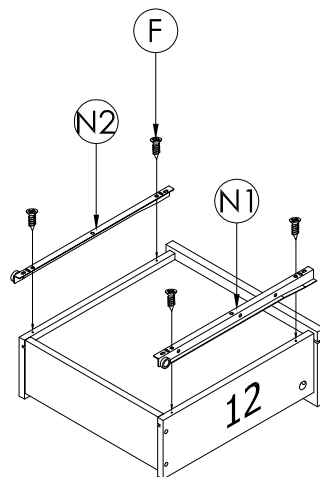
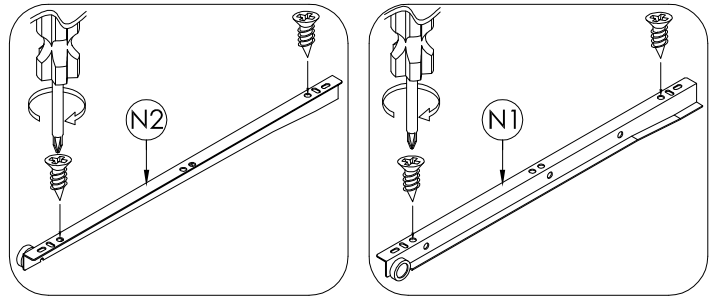
### STEP 6

Affix the metal knob (L) to drawer front (10) with 22mm screw.



### STEP 7

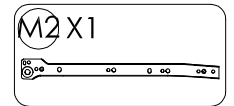
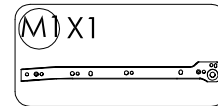
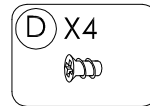
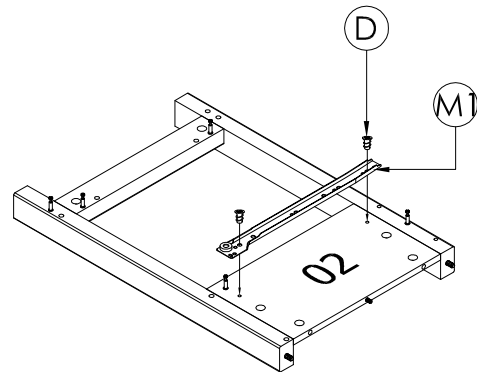
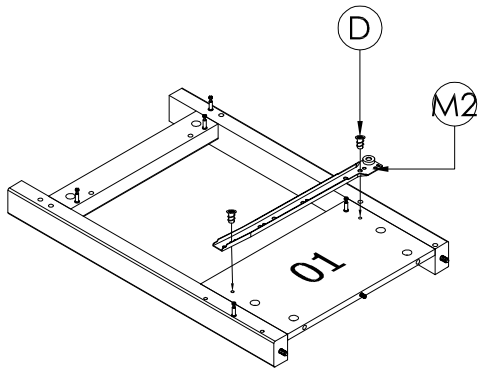
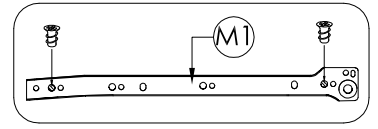
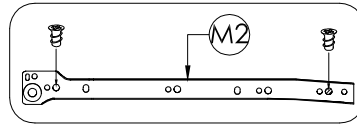
Attach the drawer slide inserts (N1 & N2) to the base of the drawer side (11 & 12) using 12mm screw (A) as shown.



**USE OF POWER TOOLS TO ASSEMBLE THIS PRODUCT WILL INVALIDATE ANY CLAIM AND MAY DAMAGE THIS PRODUCT MAKING IT UNSAFE.**

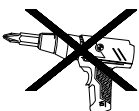
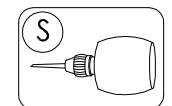
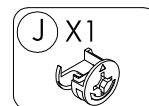
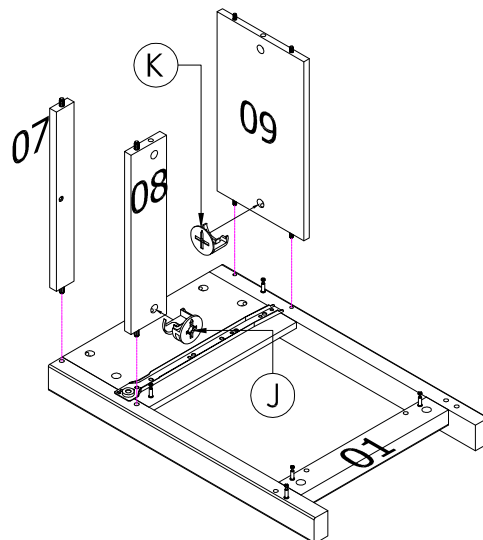
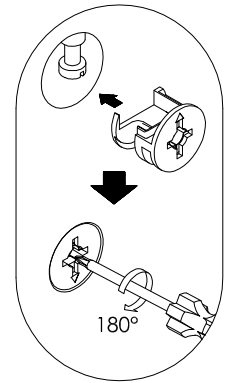
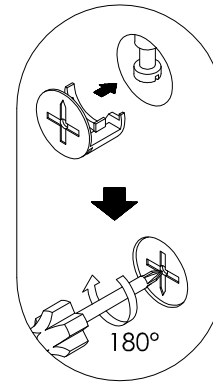
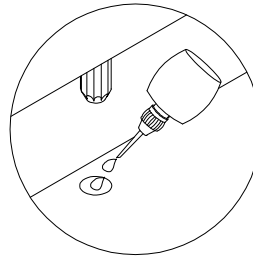
### STEP 8

Attach drawer slide casing (M1 & M2) to panel (1 & 2) using screw 9mm (D) as shown.



### STEP 9

Attach side panel (1) to body using glue (S) with CAM LOCK (J) on panels (8) and CAM LOCK (K) to front of panel (9) as shown.

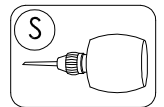
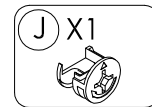
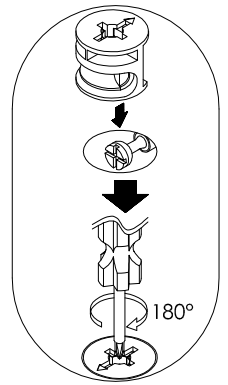
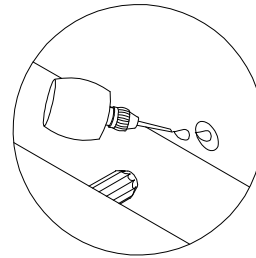
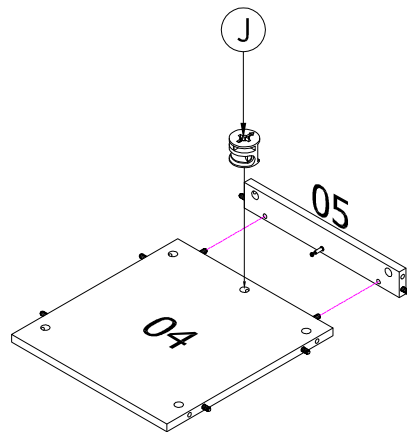


USE OF POWER TOOLS TO ASSEMBLE THIS PRODUCT WILL INVALIDATE ANY CLAIM AND MAY DAMAGE THIS PRODUCT MAKING IT UNSAFE.



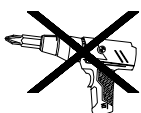
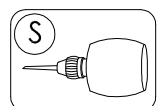
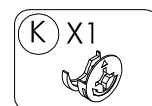
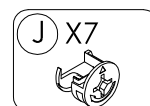
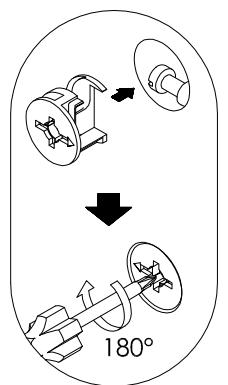
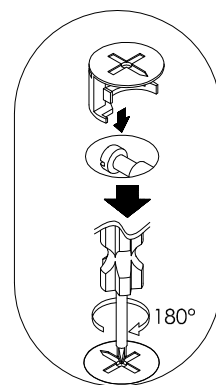
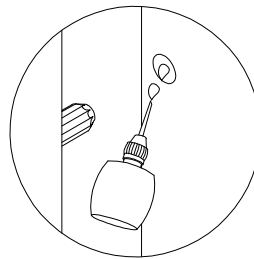
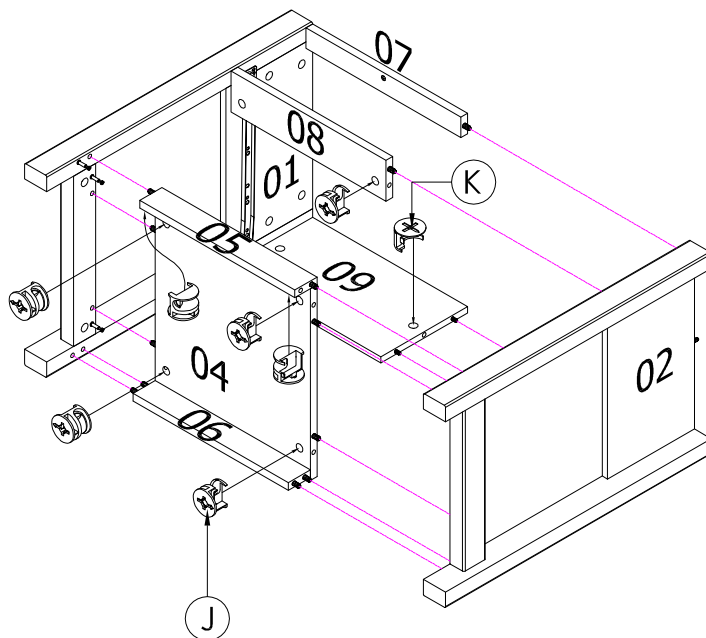
### STEP 10

Attach panels (5) to panel (4) using glue (S) and CAM LOCK (J) as shown.



### STEP 11

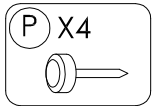
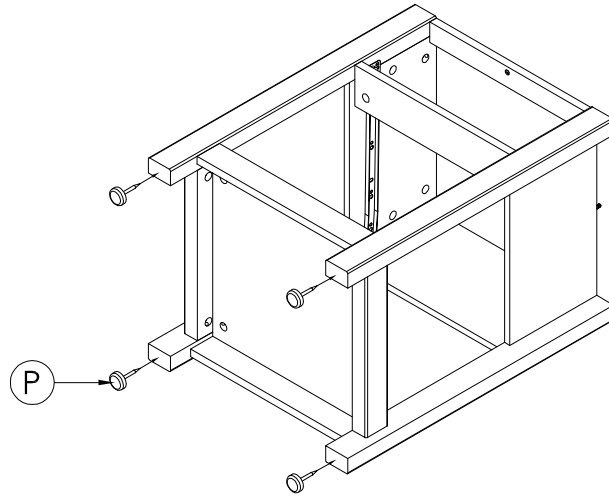
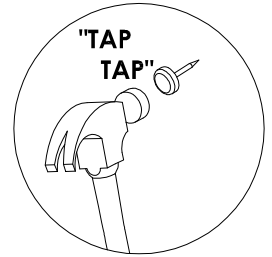
Attach side panel (1 & 2) to body using glue (S) with CAM LOCK (J) on panels (4, 5 & 8) and CAM LOCK (K) on panel (9) as shown.



USE OF POWER TOOLS TO ASSEMBLE THIS PRODUCT WILL INVALIDATE ANY CLAIM AND MAY DAMAGE THIS PRODUCT MAKING IT UNSAFE.

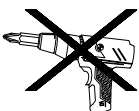
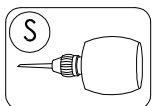
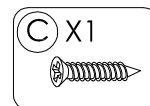
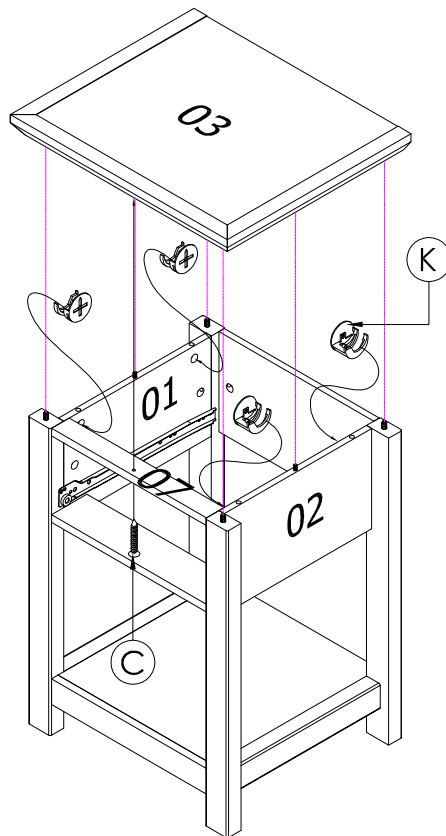
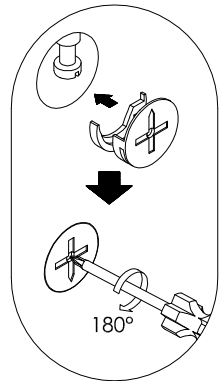
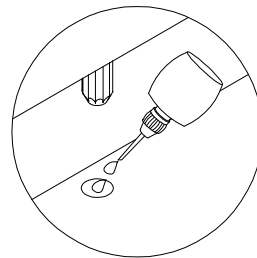
### STEP 15

Attach plastic leg stud (P) to bottom as shown.



### STEP 13

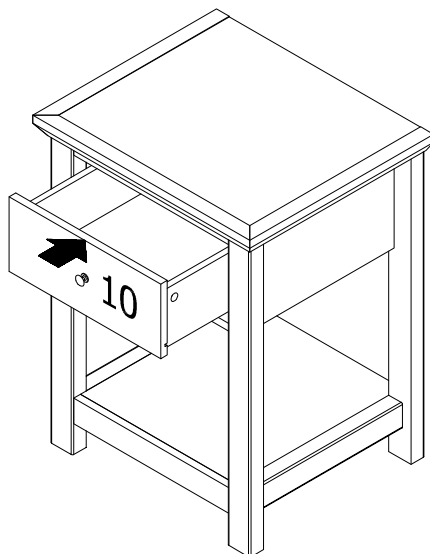
Attach top panel (3) to body using glue (S) with CAM LOCKS (K) on panels (1 & 2), also with screw (C) to panel (7) as shown.



**USE OF POWER TOOLS TO ASSEMBLE THIS PRODUCT WILL INVALIDATE ANY CLAIM AND MAY DAMAGE THIS PRODUCT MAKING IT UNSAFE.**

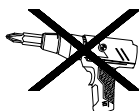
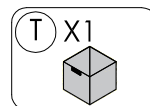
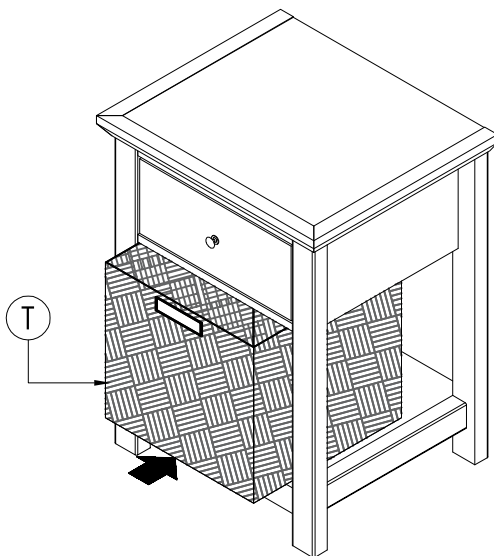
## STEP 14

Affix the drawer to the body.



## STEP 15

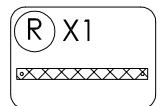
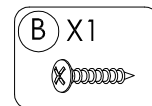
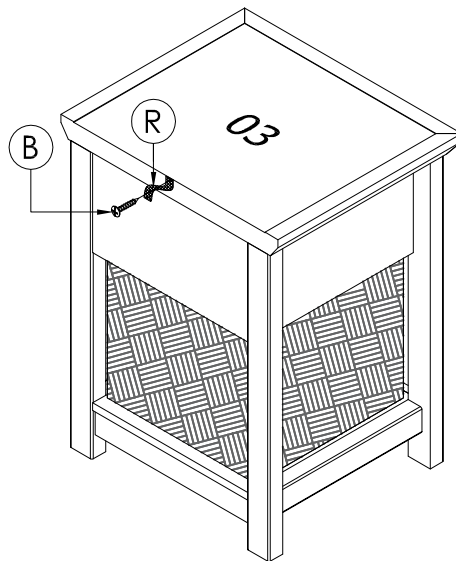
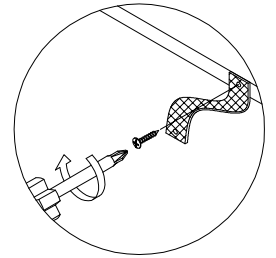
Insert the basket (T) to body.



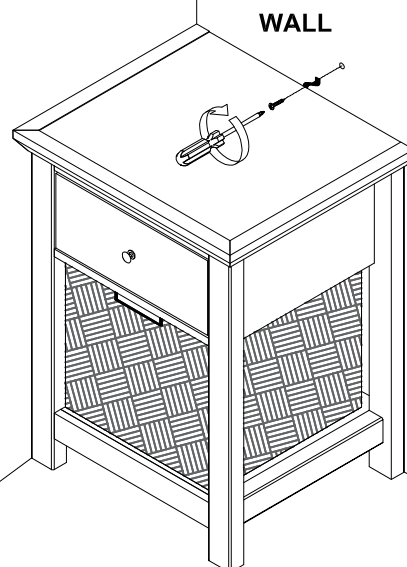
**USE OF POWER TOOLS TO ASSEMBLE THIS PRODUCT WILL INVALIDATE ANY CLAIM AND MAY DAMAGE THIS PRODUCT MAKING IT UNSAFE.**

## STEP 16

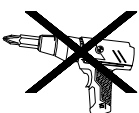
Attach the pp strap (R) to top panel (3) using 16mm screw (B) as shown.



**ASSEMBLY IS COMPLETE**



NOTE :  
WALL PLUG & SCREW ARE  
NOT SUPPLIED WITH THIS  
PRODUCT AS DIFFERENT WALL  
MATERIALS REQUIRE DIFFERENT  
TYPES OF FIXING HARDWARE &  
YOU MUST USE SUITABLE FIXING  
HARDWARE FOR TYPE OF WALL  
YOU INTEND TO MOUNT THIS  
PRODUCT TO WALL.



**USE OF POWER TOOLS TO ASSEMBLE THIS PRODUCT WILL INVALIDATE ANY CLAIM AND  
MAY DAMAGE THIS PRODUCT MAKING IT UNSAFE.**