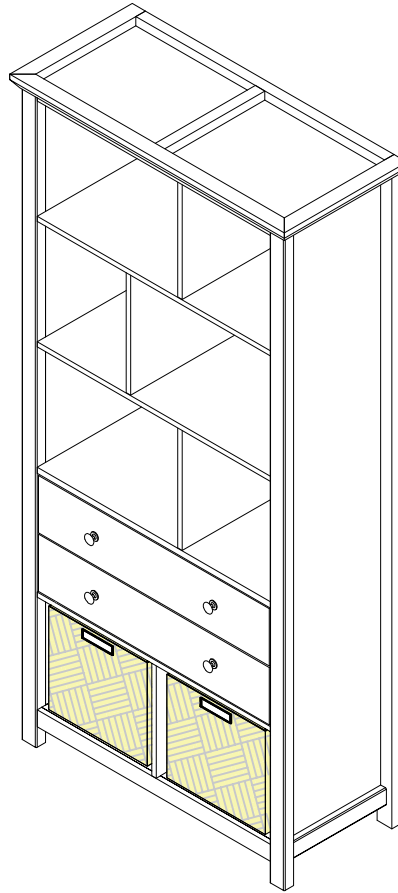


COTSWOLD BOOK SHELF ASSEMBLY INSTRUCTIONS



IMPORTANT PLEASE READ BEFORE YOU CONTINUE FURTHER

THE PRODUCT YOU HAVE PURCHASED WILL GIVE YOU MANY YEARS OF SERVICE IF YOU FOLLOW THE GUIDELINES FOR ITS SAFE ASSEMBLY AND PERIODIC MAINTENANCE AND CLEANING...

DO NOT USE ANY TOOLS OTHER THAN THOSE SHOWN.
ASSEMBLE ON A SOFT CLEAN SURFACE.

ANY SPANNERS OR ALLEN KEYS REQUIRED ARE INCLUDED WITH THE FITTINGS KIT.

DO NOT FOR ANY REASON USE A POWER TOOL TO ASSEMBLE THIS PRODUCT. ITS USE WILL INVALIDATE ANY CLAIM YOU MAY HAVE AND COULD MAKE THIS PRODUCT UNSAFE.

DEPENDING ON THE AMOUNT OF USE THIS PRODUCT RECEIVES IT MAY BE NECESSARY TO TIGHTEN UP THE FIXINGS FROM TIME TO TIME. THIS IS COMPLETELY NORMAL FOR ANY FLAT PACK FURNITURE.

FOR CLEANING YOU MAY USE A DAMP CLOTH (NOT WET) OR DRY DUSTER.

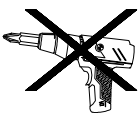
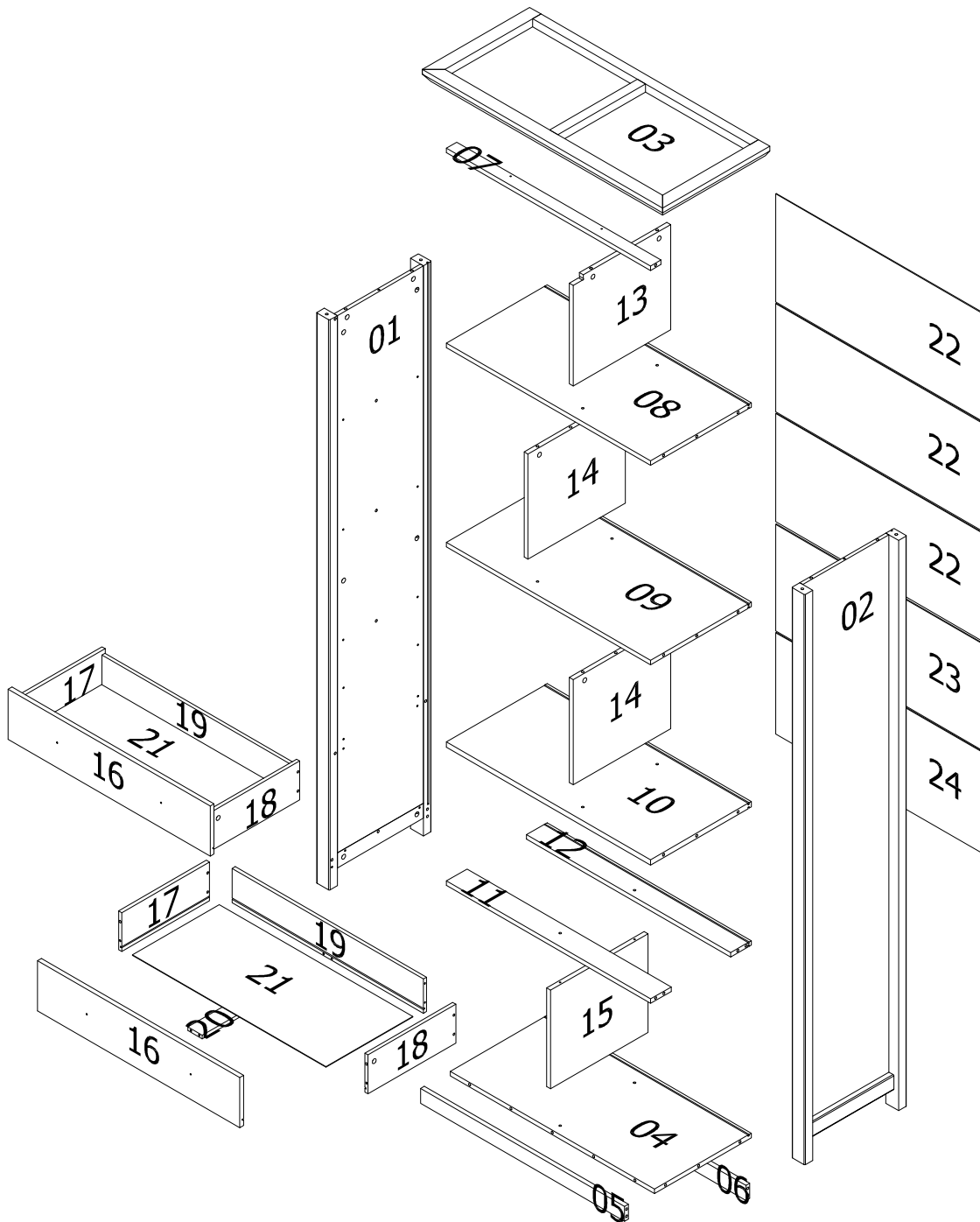
DO NOT USE ABRASIVE OR CHEMICAL CLEANERS AS THESE COULD SCRATCH OR DAMAGE THE SURFACE OF YOUR PRODUCT. WE DO NOT ACCEPT RETURNS FOR INCORRECT CARE OF PRODUCTS.

THE SURFACE OF THIS ITEM IS NOT HEAT RESISTANT.

ALWAYS USE A MAT UNDER HOT OR COLD ITEM TO PREVENT MARKING.

PLEASE KEEP THE ORIGINAL PACKING UNTIL YOUR ITEM IS FULLY ASSEMBLED AND IN PLACE, IN THE UNLIKELY EVEN YOU NEED TO RETURN THE PRODUCT, IT MUST BE RETURNED BACK IN ITS ORIGINAL PACKING TO AVOID DAMAGE.

PART LIST:

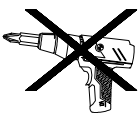


USE OF POWER TOOLS TO ASSEMBLE THIS PRODUCT WILL INVALIDATE ANY CLAIM AND MAY DAMAGE THIS PRODUCT MAKING IT UNSAFE.

PART LIST:

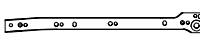
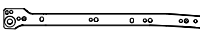
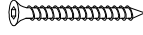


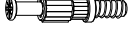

NO.	PART NAME	QTY
1	SIDE PANEL (LEFT)	1
2	SIDE PANEL (RIGHT)	1
3	TOP PANEL	1
4	BOTTOM PANEL	1
5	BOTTOM RAIL PANEL (FRONT)	1
6	BOTTOM RAIL PANEL (BACK)	1
7	TOP SUPPORT PANEL	1
8	FIXED SHELF PANEL (TOP)	1
9	FIXED SHELF PANEL (CENTER)	1
10	FIXED SHELF PANEL (BOTTOM)	1
11	FIXED BAR (FRONT)	1
12	FIXED BAR (BACK)	1

NO.	PART NAME	QTY
13	DIVIDER PANEL (TOP)	1
14	DIVIDER PANEL (CENTER)	2
15	DIVIDER PANEL (BOTTOM)	1
16	DRAWER FRONT	2
17	DRAWER SIDE (LEFT)	2
18	DRAWER SIDE (RIGHT)	2
19	DRAWER BACK	2
20	DRAWER SUPPORT	2
21	DRAWER BOTTOM	2
22	BACK PANEL (TOP)	3
23	BACK PANEL (CENTER)	1
24	BACK PANEL (BOTTOM)	1



USE OF POWER TOOLS TO ASSEMBLE THIS PRODUCT WILL INVALIDATE ANY CLAIM AND MAY DAMAGE THIS PRODUCT MAKING IT UNSAFE.

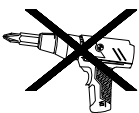
HARDWARE LIST

A		CSK SCREW M3.5 X 12MM	8	N1		METAL DRAWER SLIDE CR (350MM)	2
B		CSK SCREW M3.5 X 15MM	30	N2		METAL DRAWER SLIDE CL (350MM)	2
C		CSK SCREW M4 X 25MM	2	P1		METAL DRAWER SLIDE DR (350MM)	2
D		TH CB SCREW M4 X 16MM (RB)	1	P2		METAL DRAWER SLIDE DL (350MM)	2
E		EURO SCREW M6 X 9MM	8	Q		PLASTIC LEG STUD	4
F		JCBC(W) SCREW M6 X 40MM	18	R		ROUND STICKER (Ø18MM)	18
G		WOOD DOWEL (Ø6 X 20MM)	14	S		ALLEN KEY M4	1
H		WOOD DOWEL (Ø8 X 25MM)	32	T		BACKPLY STOPPER	30
J		9047975 BOLT DOWEL DU319 20X5MM	38	U		PP STRAP 12 X 150 X 1.2MM BLK 2 HOLE WITH EYELET	1
K		9064684 CAM 15/15	30	V		GLUE	4
L		9116018 CAM 15/12	8	W		SEAGRASS BASKET (330MM X 330MM X 300MM)	2
M		METAL KNOB 702-25=(1PC) WITH SCREW (MC4 X 22MM) =(1PC)	4 SETS				

PLEASE CHECK THAT YOU HAVE ALL THE PARTS LISTED.

BEFORE YOU START ASSEMBLING IF YOU FIND THAT SOMETHING IS MISSING DO NOT CONTINUE ASSEMBLY.

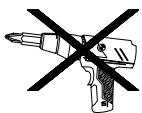
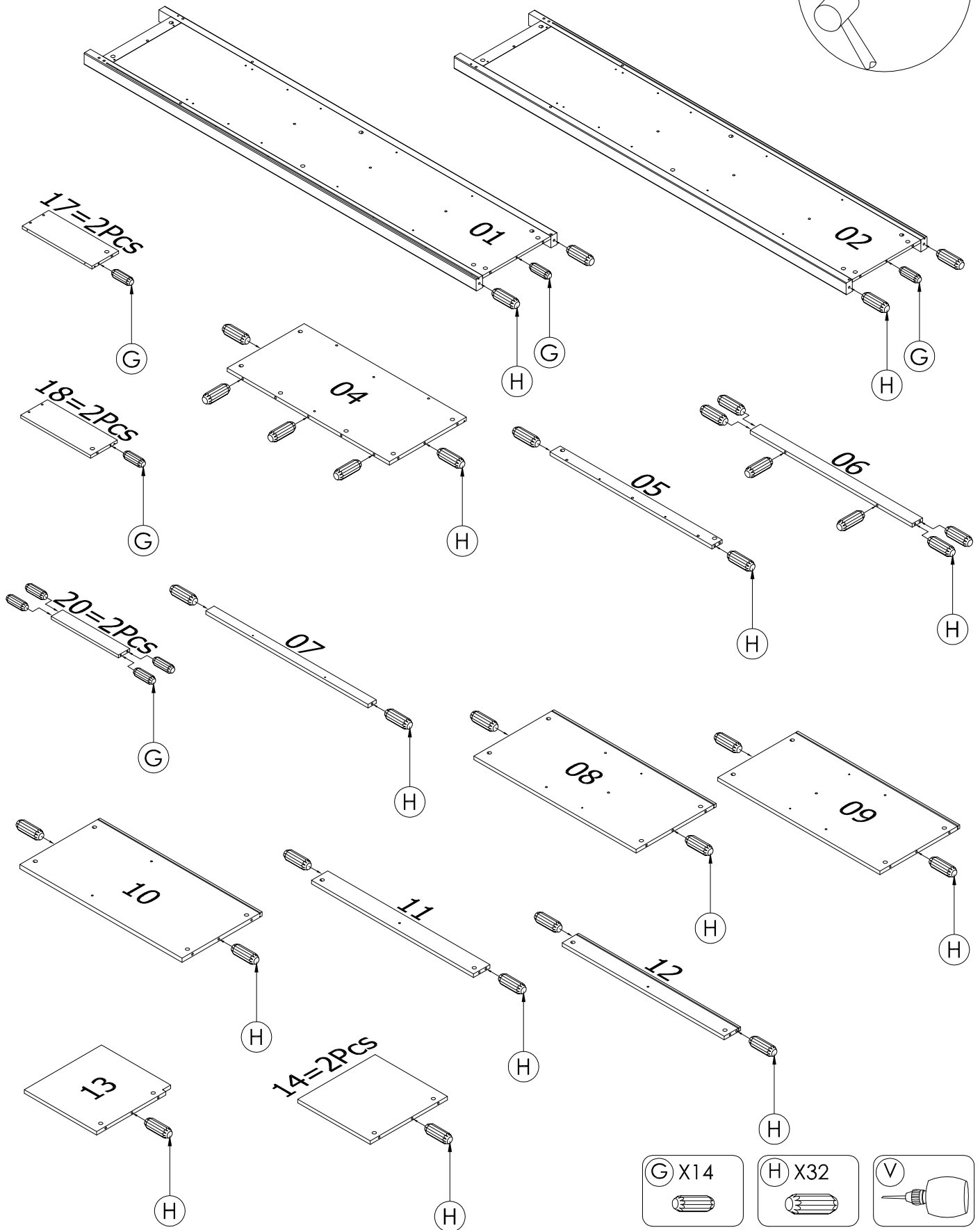
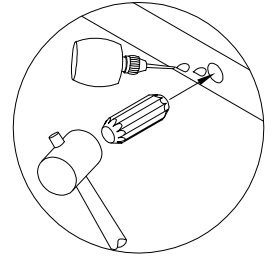
PLEASE CONTACT YOUR SUPPLIER IMMEDIATELY.



USE OF POWER TOOLS TO ASSEMBLE THIS PRODUCT WILL INVALIDATE ANY CLAIM AND MAY DAMAGE THIS PRODUCT MAKING IT UNSAFE.

STEP 1

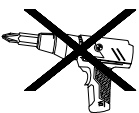
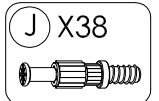
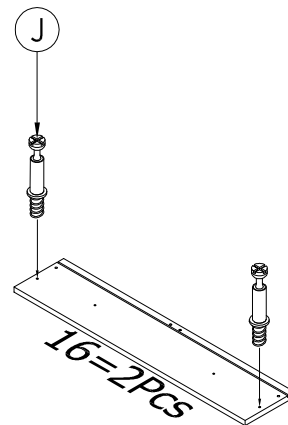
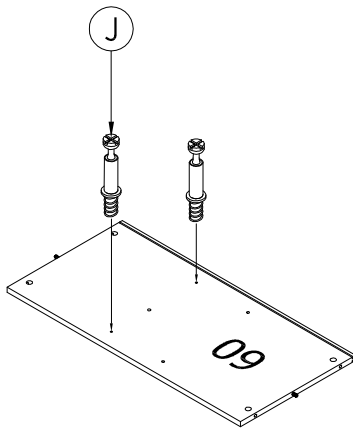
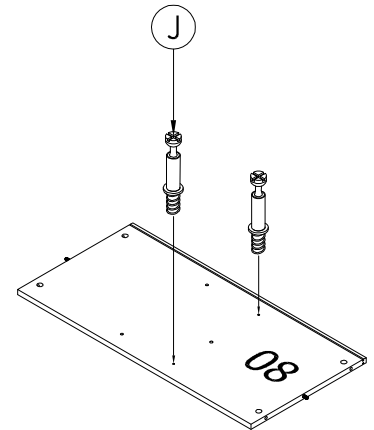
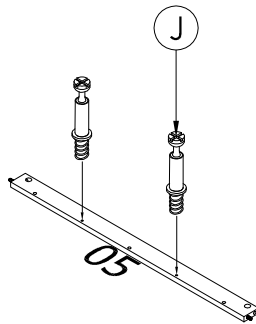
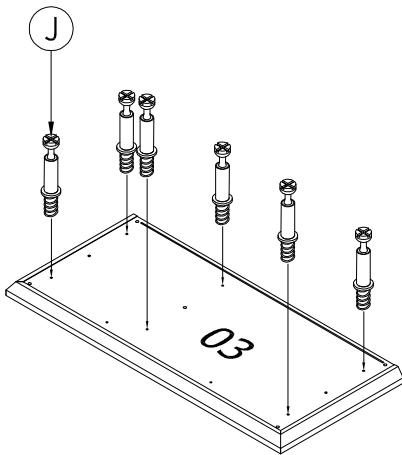
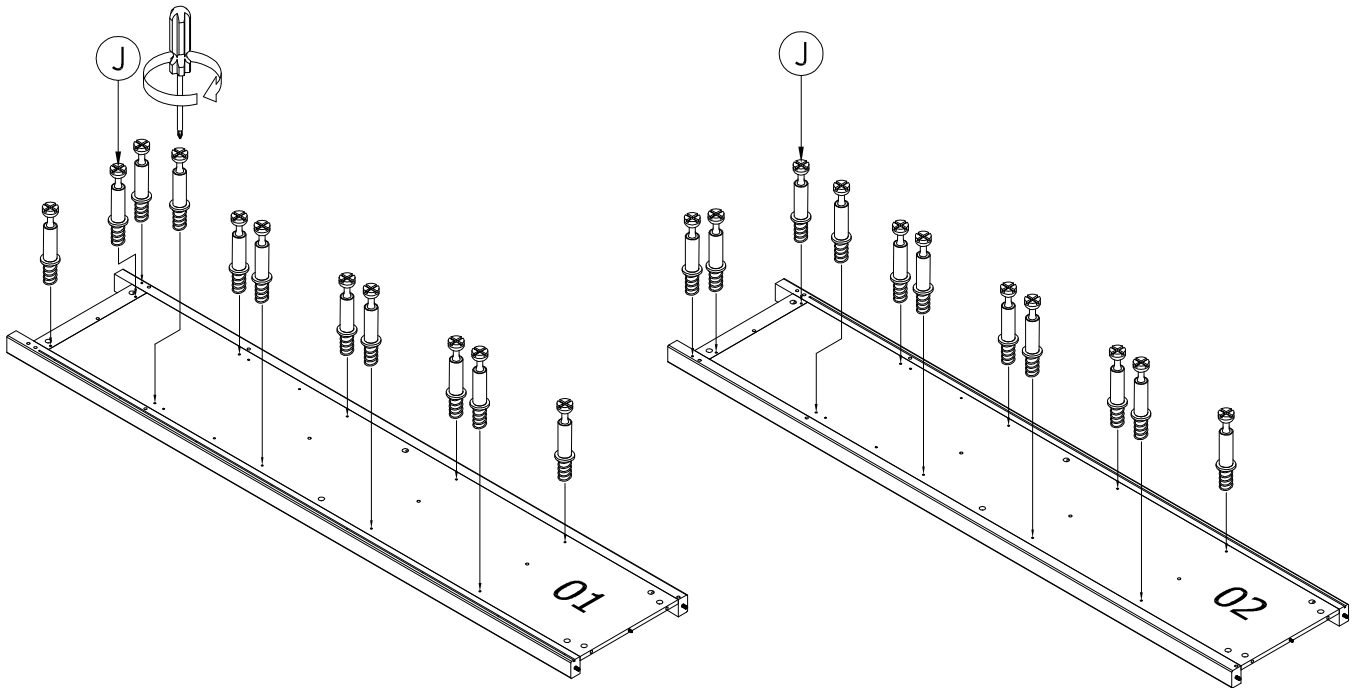
Using glue (V) insert dowel (G & H) into pieces (1, 2, 4, 5, 6, 7, 8, 9, 10, 11, 12, 13, 14, 17, 18 & 20) as shown.



USE OF POWER TOOLS TO ASSEMBLE THIS PRODUCT WILL INVALIDATE ANY CLAIM AND MAY DAMAGE THIS PRODUCT MAKING IT UNSAFE.

STEP 2

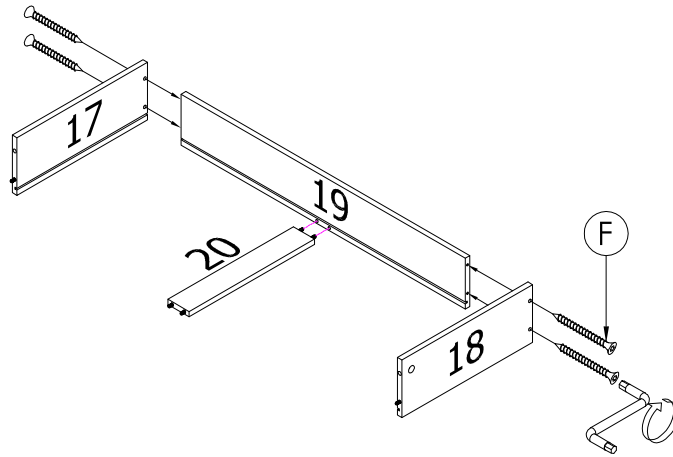
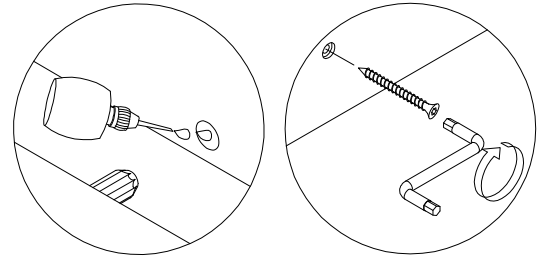
Take all panels (1, 2, 3, 5, 8, 9 & 16), using a drill on low speed / torque or a phillips head screw driver CAM PINS (J) as shown.



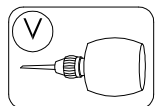
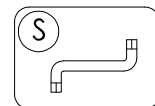
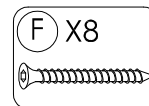
USE OF POWER TOOLS TO ASSEMBLE THIS PRODUCT WILL INVALIDATE ANY CLAIM AND MAY DAMAGE THIS PRODUCT MAKING IT UNSAFE.

STEP 3

Attach drawer side (17 & 18) to drawer back (19) using screw (F).
Using glue (V) attach panel (20) to drawer backs (19) as shown.

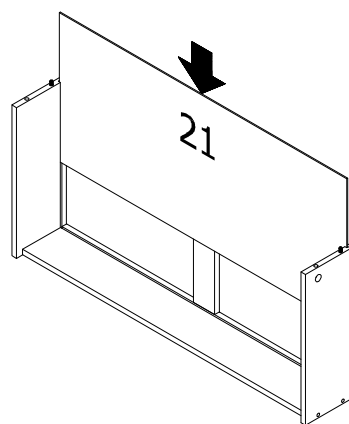


X2

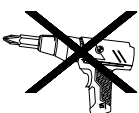


STEP 4

Slot the drawer bottom (21) into the drawer body.



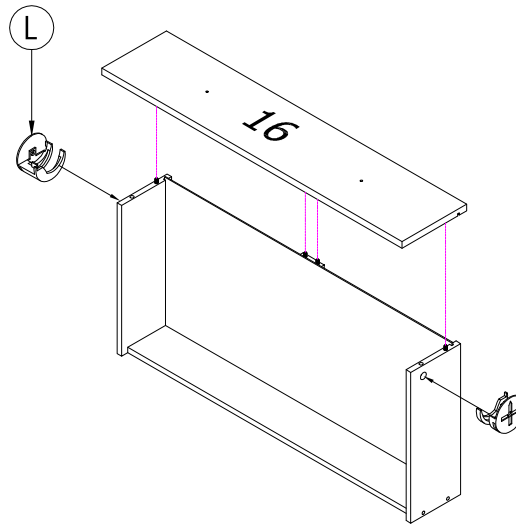
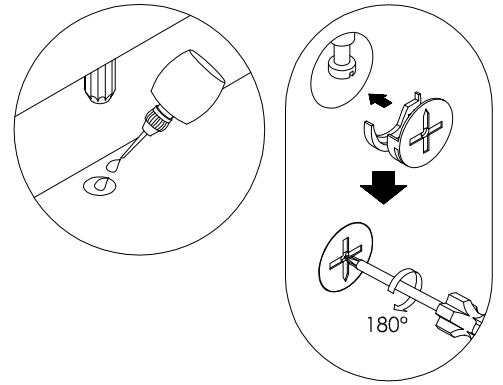
X2



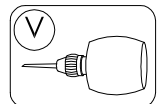
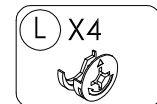
**USE OF POWER TOOLS TO ASSEMBLE THIS PRODUCT WILL INVALIDATE ANY CLAIM AND
MAY DAMAGE THIS PRODUCT MAKING IT UNSAFE.**

STEP 5

Using glue (V) attach drawer front (16) to drawer body.
Fasten into place using CAM LOCKS (L) as shown.

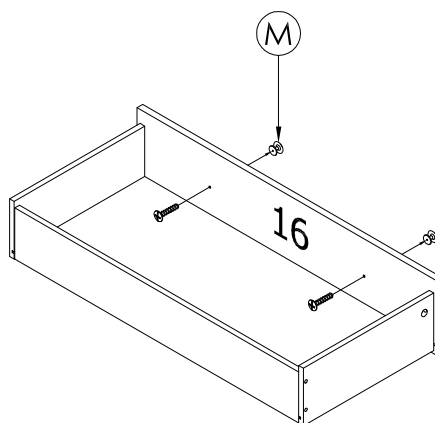


X2

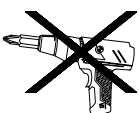
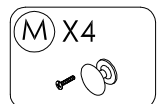


STEP 6

Affix the wooden knob handle (M) to drawer front (16) with 25mm screw.



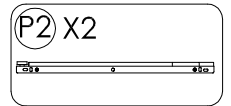
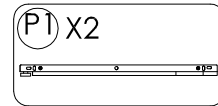
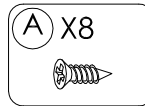
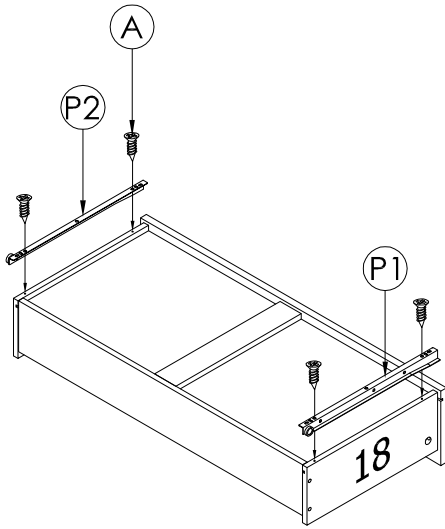
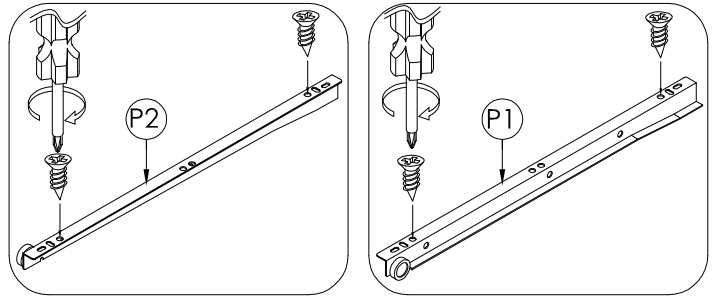
X2



USE OF POWER TOOLS TO ASSEMBLE THIS PRODUCT WILL INVALIDATE ANY CLAIM AND MAY DAMAGE THIS PRODUCT MAKING IT UNSAFE.

STEP 7

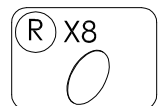
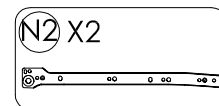
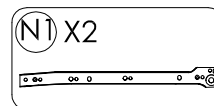
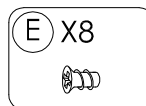
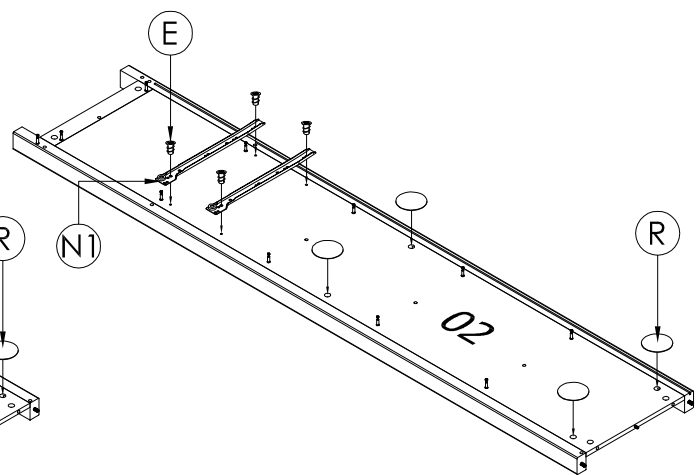
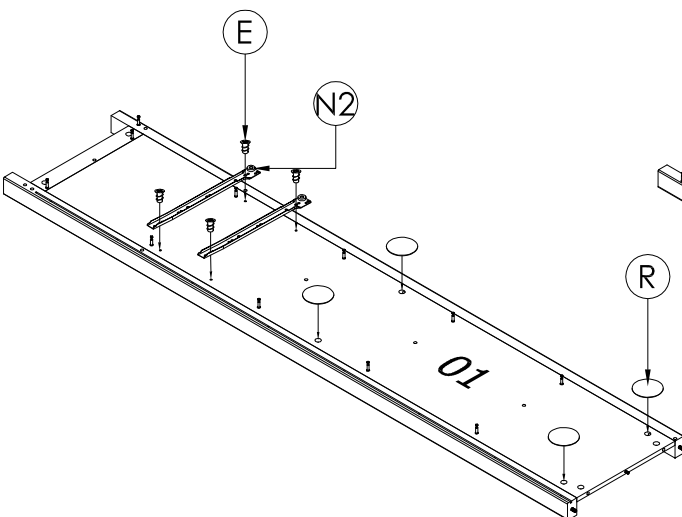
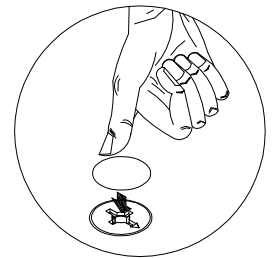
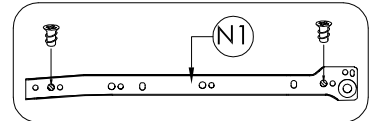
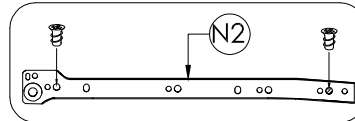
Attach the drawer slide inserts (P1 & P2) to the base of the drawer side (17 & 18) with the 12mm screw (A) as shown.



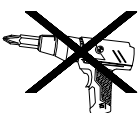
X2

STEP 8

Take side panels (1 & 2), attach drawer slide casing (N1 & N2) using screw 9mm (E). Attach 18mm round sticker (R) to panel (1 & 2) as shown.



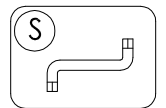
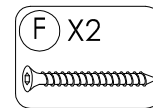
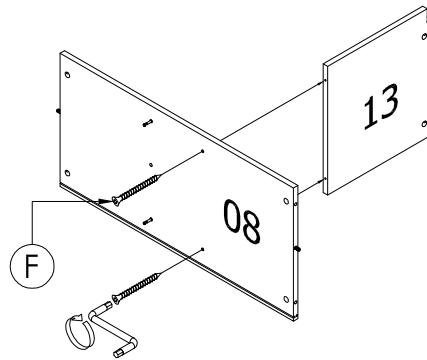
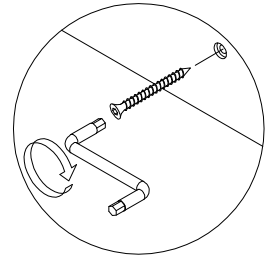
X2



USE OF POWER TOOLS TO ASSEMBLE THIS PRODUCT WILL INVALIDATE ANY CLAIM AND MAY DAMAGE THIS PRODUCT MAKING IT UNSAFE.

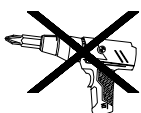
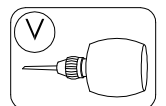
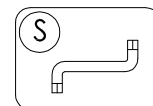
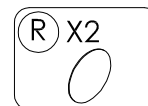
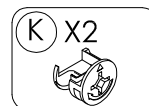
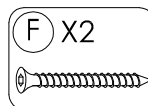
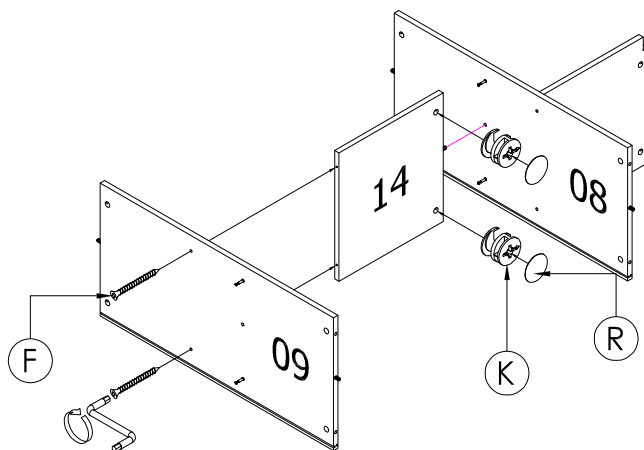
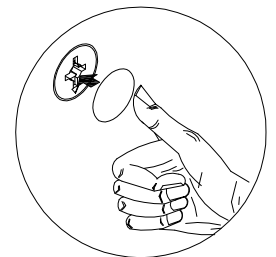
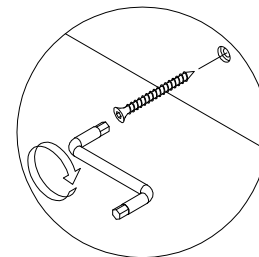
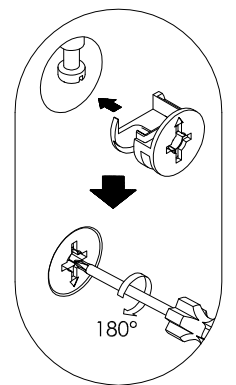
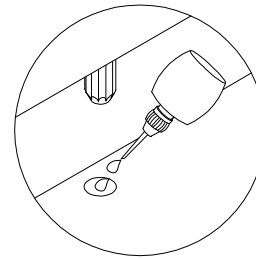
STEP 9

Attach fixed shelf panel (8) to divider panel (13) using 45mm screw (F) with allen key (S).



STEP 10

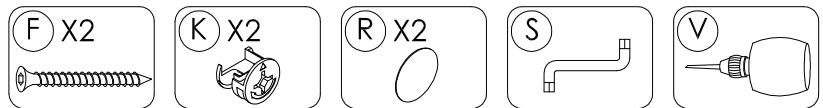
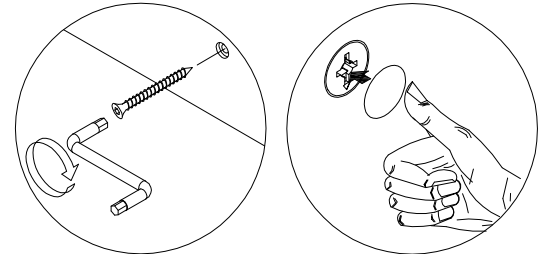
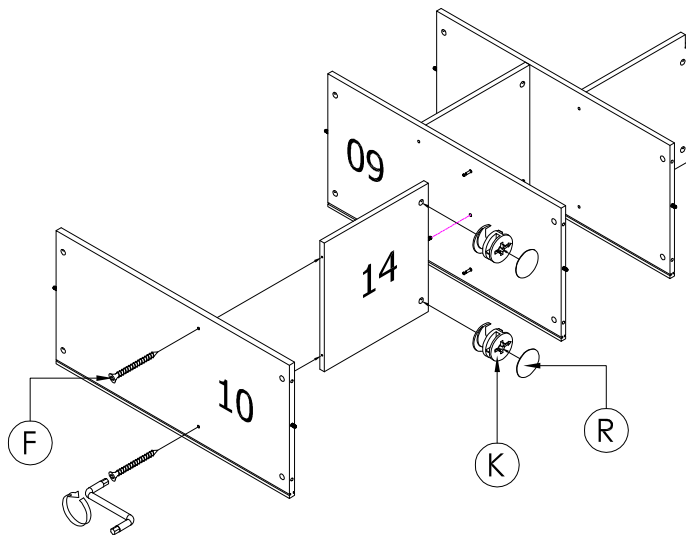
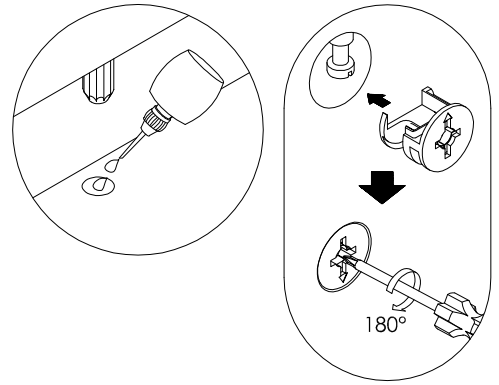
Using glue (V) attach fixed shelf panel (8) to divider panel (14), fasten into place using CAM LOCKS (K). Then attach 18mm round sticker (R) to top of the CAM LOCKS. Attach fixed shelf panel (9) to divider panel (14) using 45mm screw (F) with allen key (S).



USE OF POWER TOOLS TO ASSEMBLE THIS PRODUCT WILL INVALIDATE ANY CLAIM AND MAY DAMAGE THIS PRODUCT MAKING IT UNSAFE.

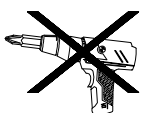
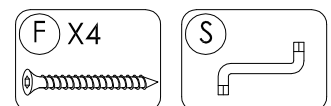
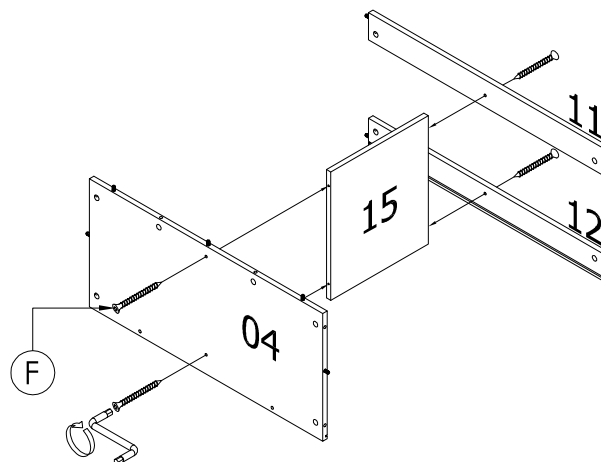
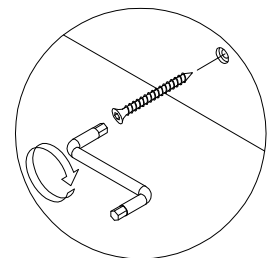
STEP 11

Using glue (V) attach fixed shelf panel (9) to divider panel (14), fasten into place using CAM LOCKS (K). Then attach 18mm round sticker (R) to top of the CAM LOCKS. Attach fixed shelf panel (10) to divider panel (14) using 45mm screw (F) with allen key (S).



STEP 12

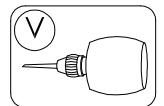
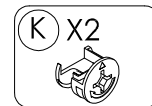
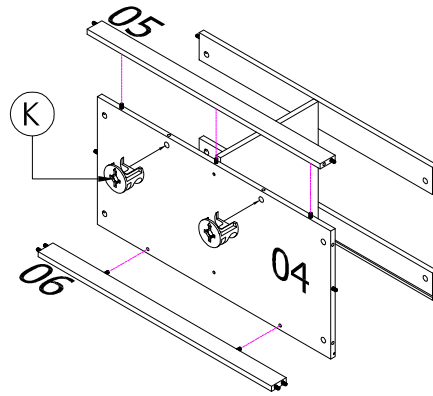
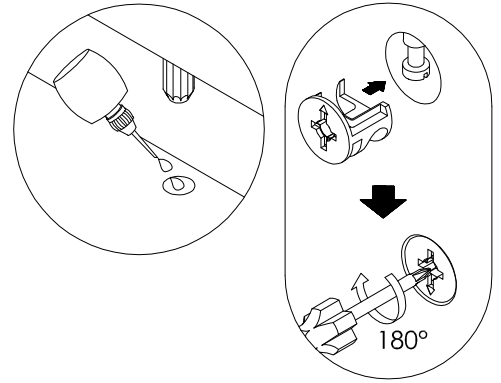
Attach bottom panel (4) & fixed bar panel (11 & 12) to divider panel (15) using 45mm screw (F) with allen key (S).



USE OF POWER TOOLS TO ASSEMBLE THIS PRODUCT WILL INVALIDATE ANY CLAIM AND MAY DAMAGE THIS PRODUCT MAKING IT UNSAFE.

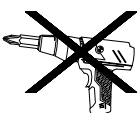
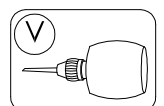
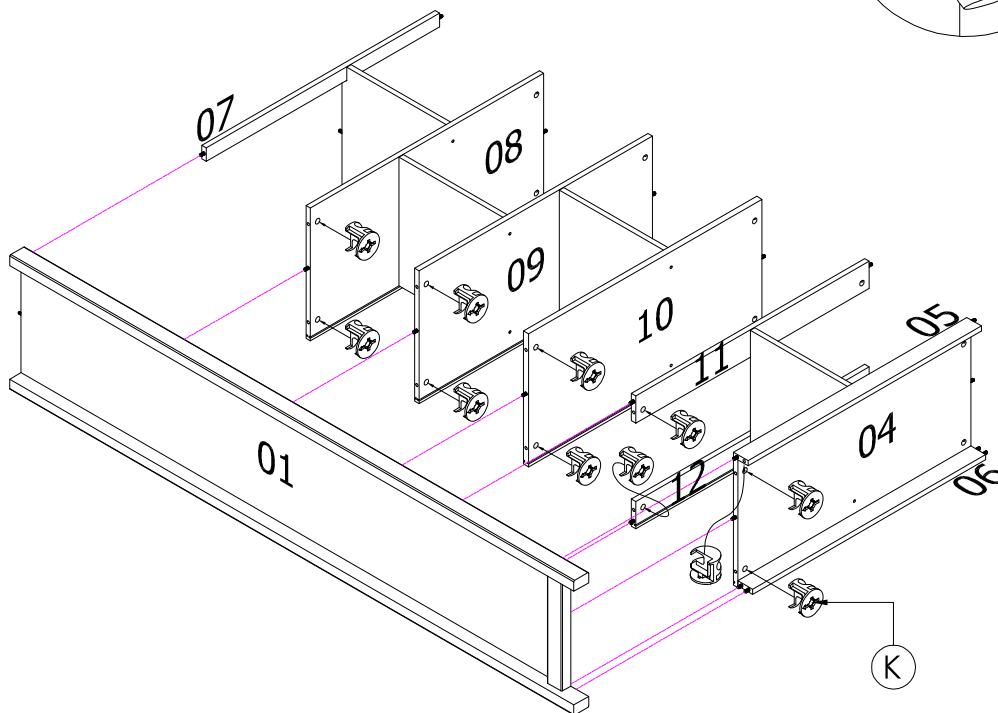
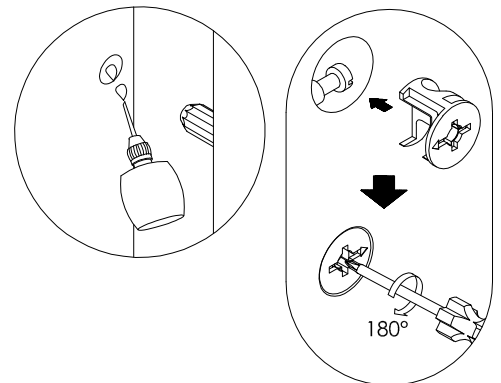
STEP 13

Using glue (V) attach bottom rail panel (5 & 6) to bottom panel (4).
Fasten into place using CAM LOCKS (K) as shown.



STEP 14

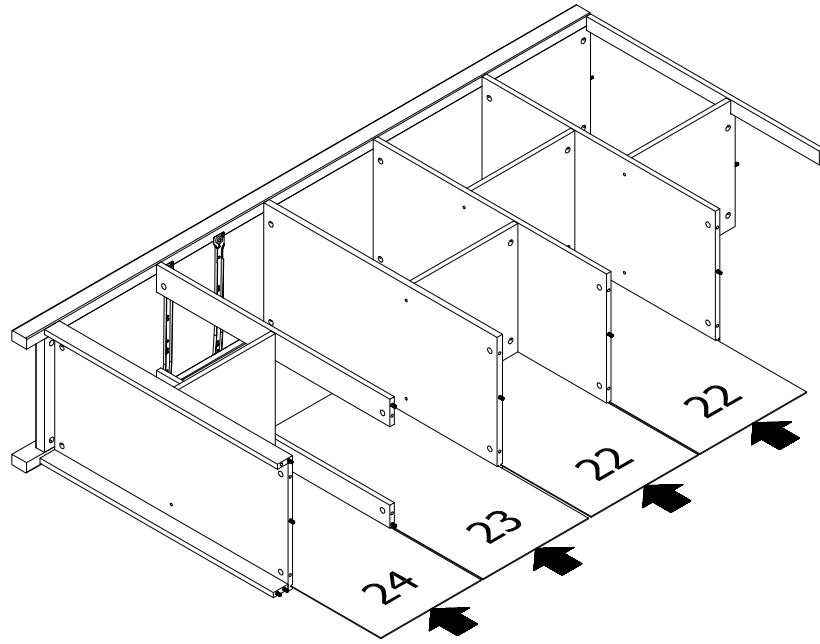
Attach panel (1) Using glue (V) attach with CAM LOCKS (K) to panels
(4, 5, 8, 9, 10, 11 & 12).



**USE OF POWER TOOLS TO ASSEMBLE THIS PRODUCT WILL INVALIDATE ANY CLAIM AND
MAY DAMAGE THIS PRODUCT MAKING IT UNSAFE.**

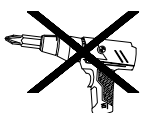
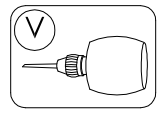
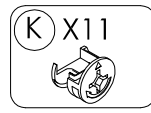
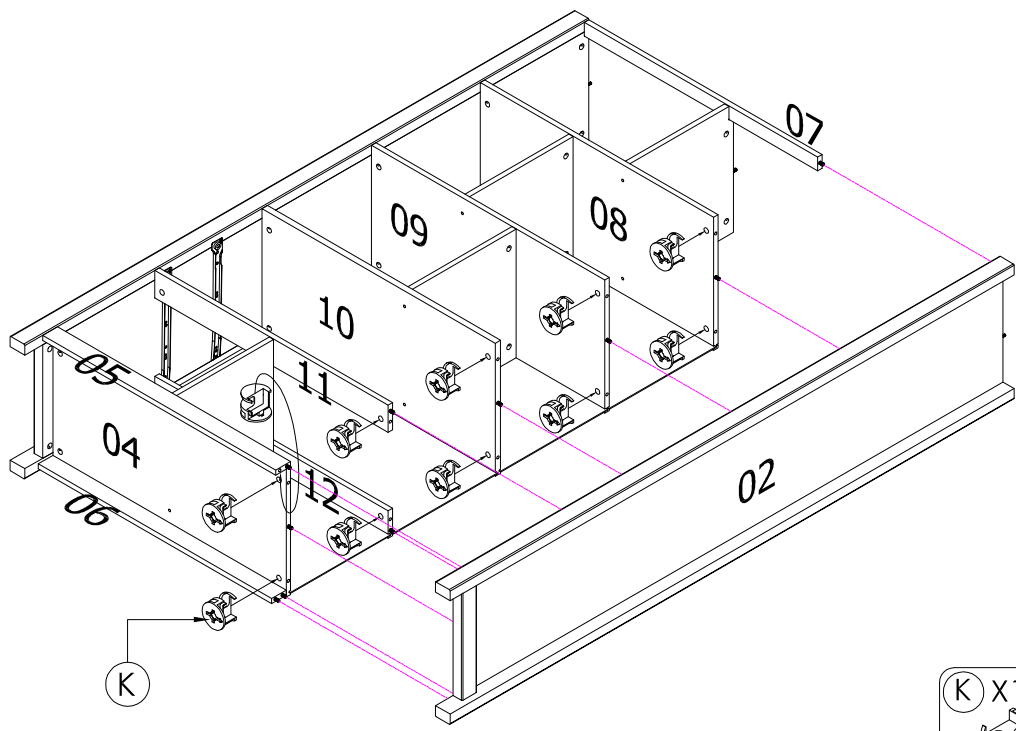
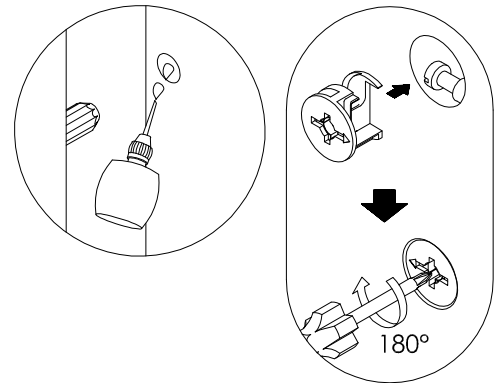
STEP 15

Slot the back panel (22 , 23 & 24) into the body.



STEP 16

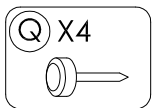
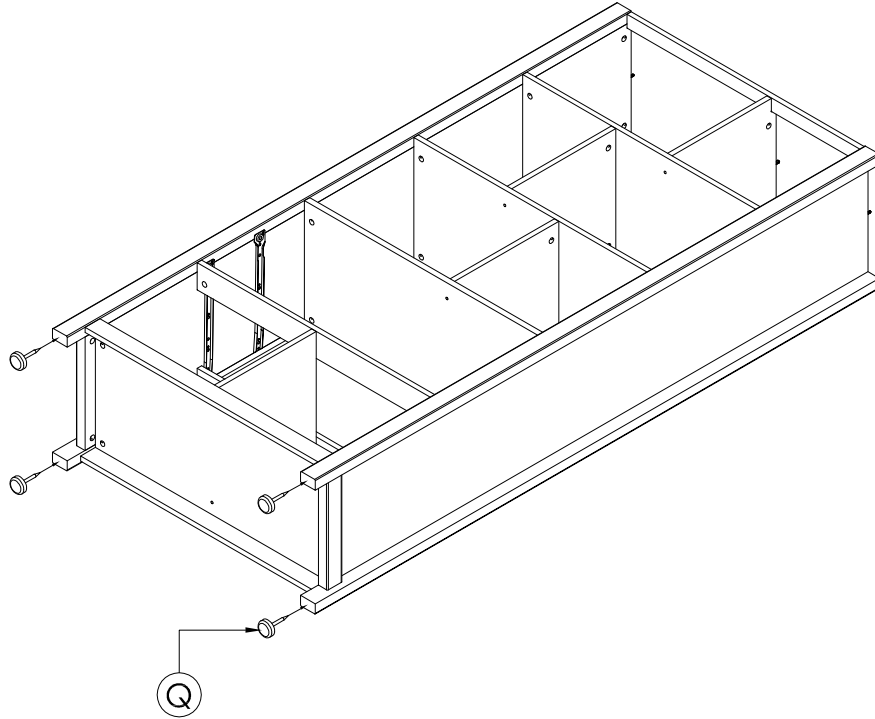
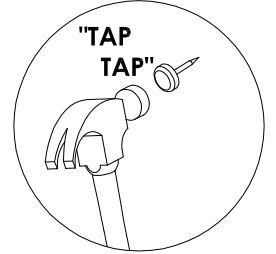
Using glue (V) attach with CAM LOCKS (K) panels (4 , 5 , 8 , 9 , 10 , 11 & 12) to attach panel (2) to frame.



USE OF POWER TOOLS TO ASSEMBLE THIS PRODUCT WILL INVALIDATE ANY CLAIM AND MAY DAMAGE THIS PRODUCT MAKING IT UNSAFE.

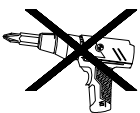
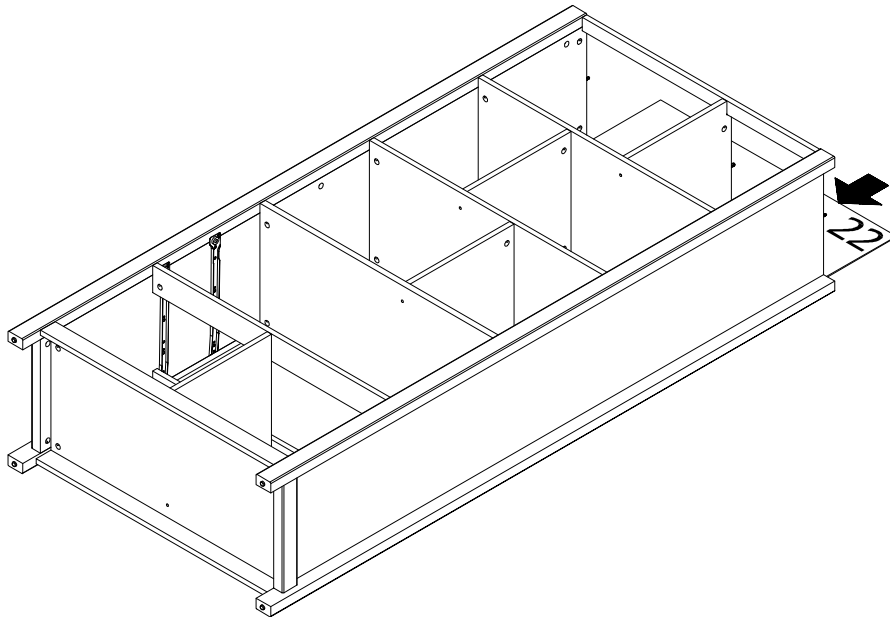
STEP 17

Attach plastic leg stud (Q) to bottom as shown.



STEP 18

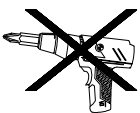
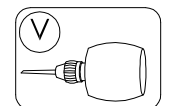
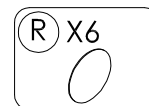
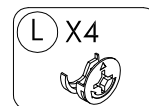
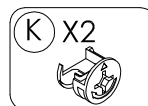
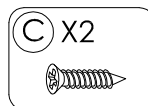
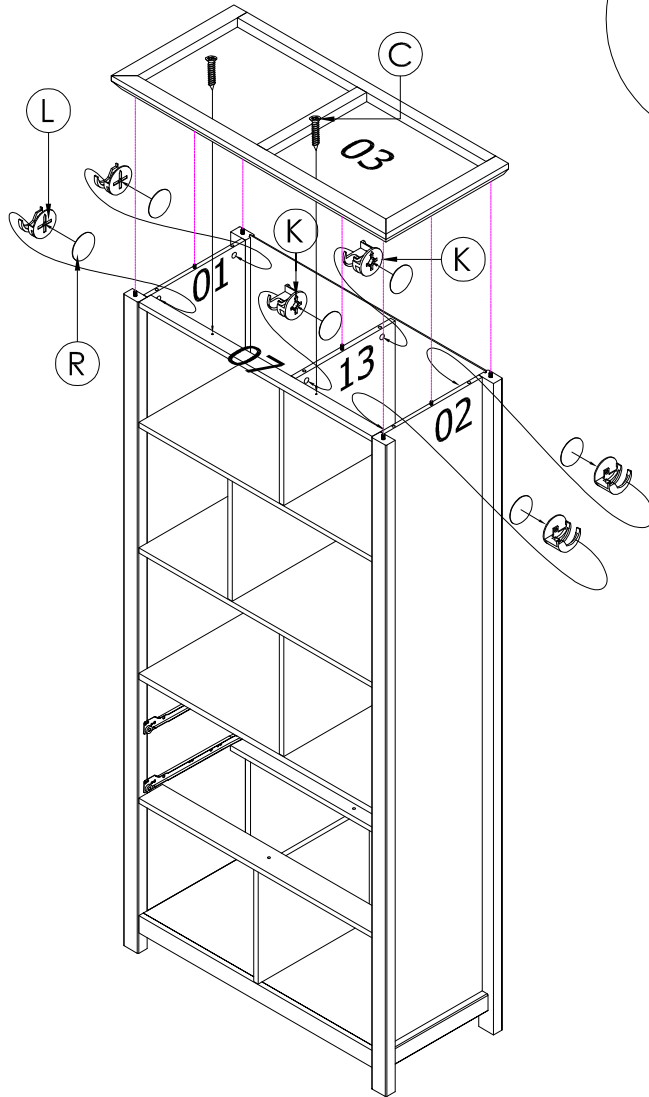
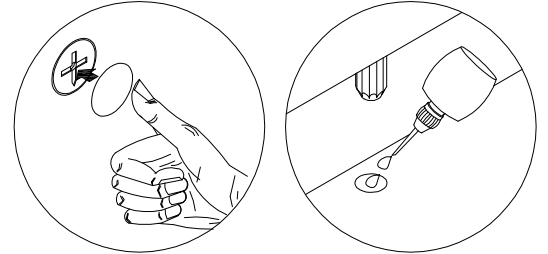
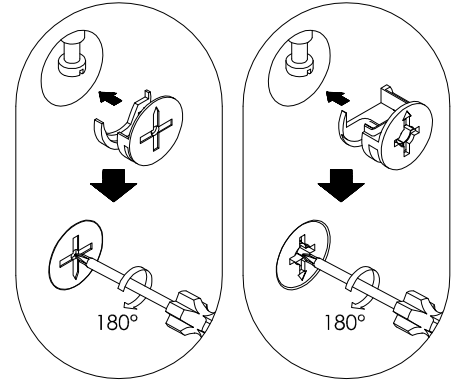
Slot panels (22) to frame.



USE OF POWER TOOLS TO ASSEMBLE THIS PRODUCT WILL INVALIDATE ANY CLAIM AND MAY DAMAGE THIS PRODUCT MAKING IT UNSAFE.

STEP 19

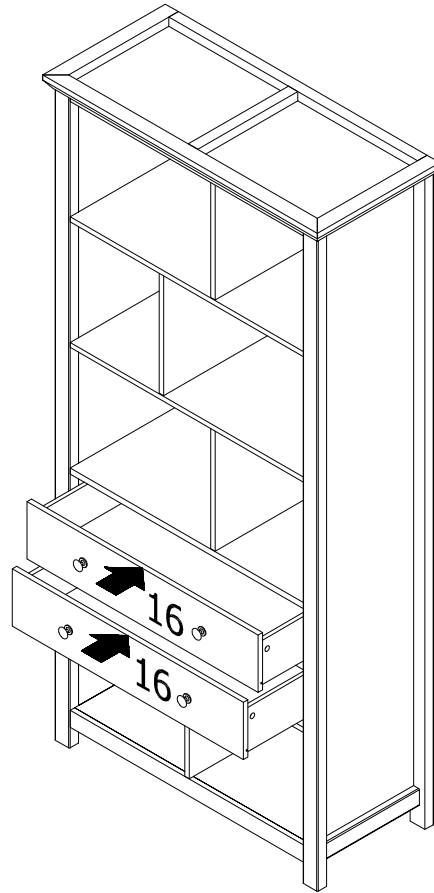
Attach top panel (3) to body using glue (V) with CAM LOCKS (K & L) on panels (1, 2 & 13), also with screw (C) to panel (7). Then attach 18mm round sticker (R) to top of the CAM LOCKS.



USE OF POWER TOOLS TO ASSEMBLE THIS PRODUCT WILL INVALIDATE ANY CLAIM AND MAY DAMAGE THIS PRODUCT MAKING IT UNSAFE.

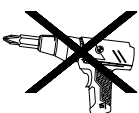
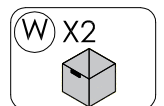
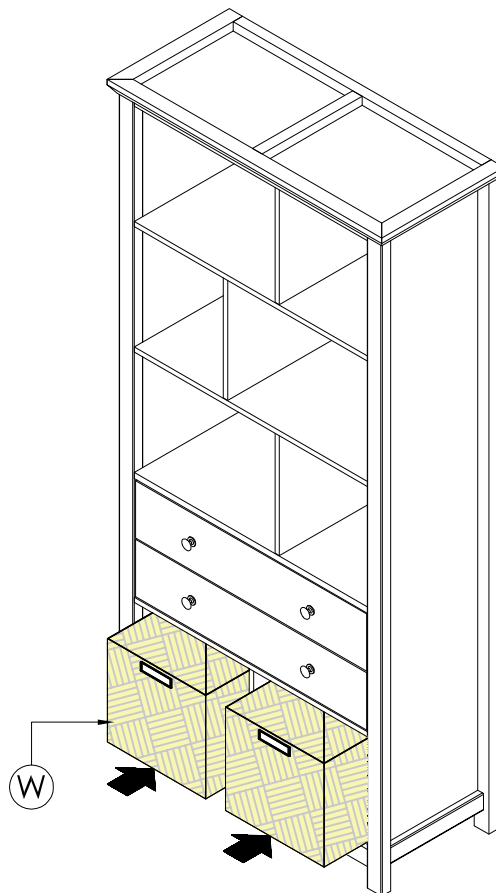
STEP 20

Affix the drawer to the body.



STEP 21

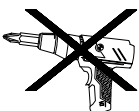
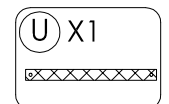
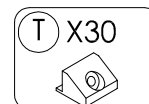
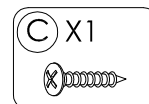
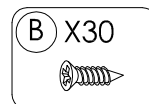
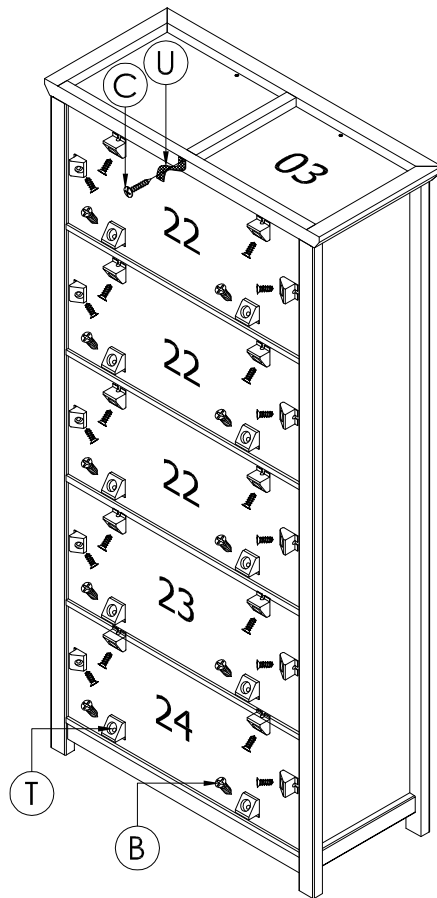
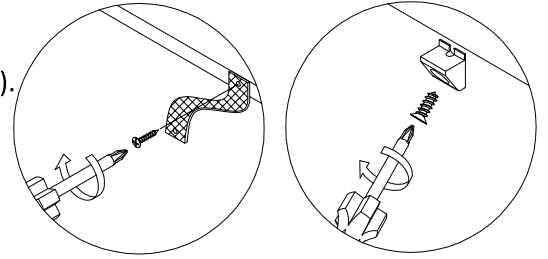
Insert the basket (W) to body.



USE OF POWER TOOLS TO ASSEMBLE THIS PRODUCT WILL INVALIDATE ANY CLAIM AND MAY DAMAGE THIS PRODUCT MAKING IT UNSAFE.

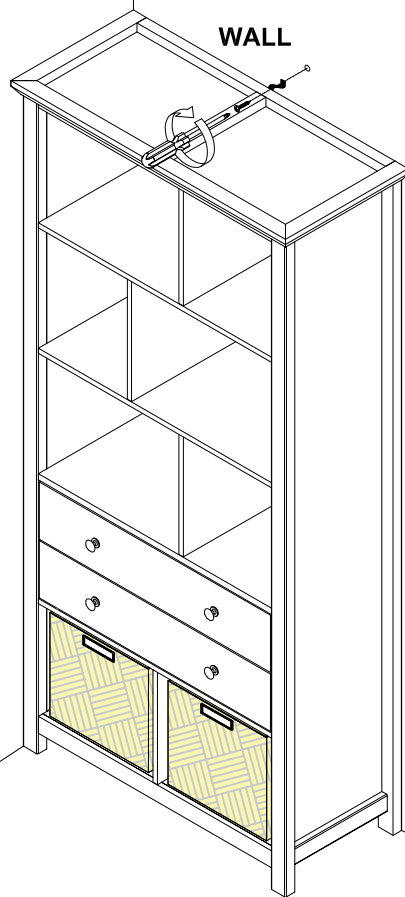
STEP 22

Attach the backply stoppers (T) to back panels (22, 23 & 24) using 15mm screw (B). Then attach pp strap (U) to top panels (3) with 16mm screw (D).

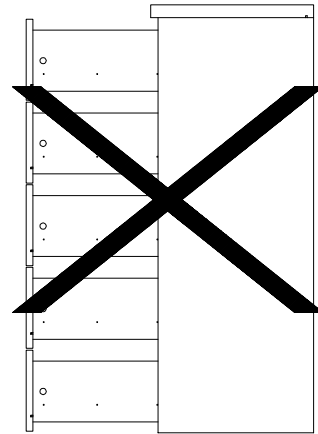


USE OF POWER TOOLS TO ASSEMBLE THIS PRODUCT WILL INVALIDATE ANY CLAIM AND MAY DAMAGE THIS PRODUCT MAKING IT UNSAFE.

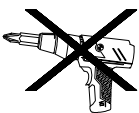
ASSEMBLY IS COMPLETE



NOTE :
WALL PLUG & SCREW ARE
NOT SUPPLIED WITH THIS
PRODUCT AS DIFFERENT WALL
MATERIALS REQUIRE DIFFERENT
TYPES OF FIXING HARDWARE &
YOU MUST USE SUITABLE FIXING
HARDWARE FOR TYPE OF WALL
YOU INTEND TO MOUNT THIS
PRODUCT TO WALL.



CAUTION :
PLEASE DO NOT FULLY OPEN
DRAWERS SIMULTANEOUSLY
AS IT WILL CAUSE THE DRAWER
CHEST TO FALL DOWN.



**USE OF POWER TOOLS TO ASSEMBLE THIS PRODUCT WILL INVALIDATE ANY CLAIM AND
MAY DAMAGE THIS PRODUCT MAKING IT UNSAFE.**