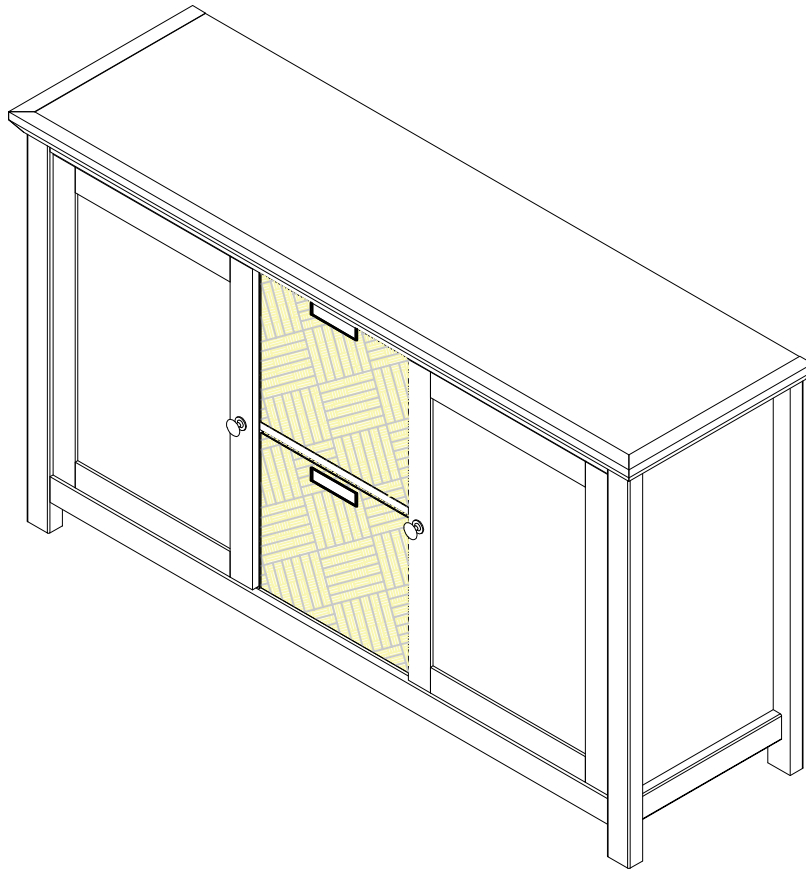


COTSWOLD 2 DOOR COMPACT BUFFET ASSEMBLY INSTRUCTIONS



IMPORTANT PLEASE READ BEFORE YOU CONTINUE FURTHER

THE PRODUCT YOU HAVE PURCHASED WILL GIVE YOU MANY YEARS OF SERVICE IF YOU FOLLOW THE GUIDELINES FOR ITS SAFE ASSEMBLY AND PERIODIC MAINTENANCE AND CLEANING...

DO NOT USE ANY TOOLS OTHER THAN THOSE SHOWN.
ASSEMBLE ON A SOFT CLEAN SURFACE.

ANY SPANNERS OR ALLEN KEYS REQUIRED ARE INCLUDED WITH THE FITTINGS KIT.

DO NOT FOR ANY REASON USE A POWER TOOL TO ASSEMBLE THIS PRODUCT. ITS USE WILL INVALIDATE ANY CLAIM YOU MAY HAVE AND COULD MAKE THIS PRODUCT UNSAFE.

DEPENDING ON THE AMOUNT OF USE THIS PRODUCT RECEIVES IT MAY BE NECESSARY TO TIGHTEN UP THE FIXINGS FROM TIME TO TIME. THIS IS COMPLETELY NORMAL FOR ANY FLAT PACK FURNITURE.

FOR CLEANING YOU MAY USE A DAMP CLOTH (NOT WET) OR DRY DUSTER.

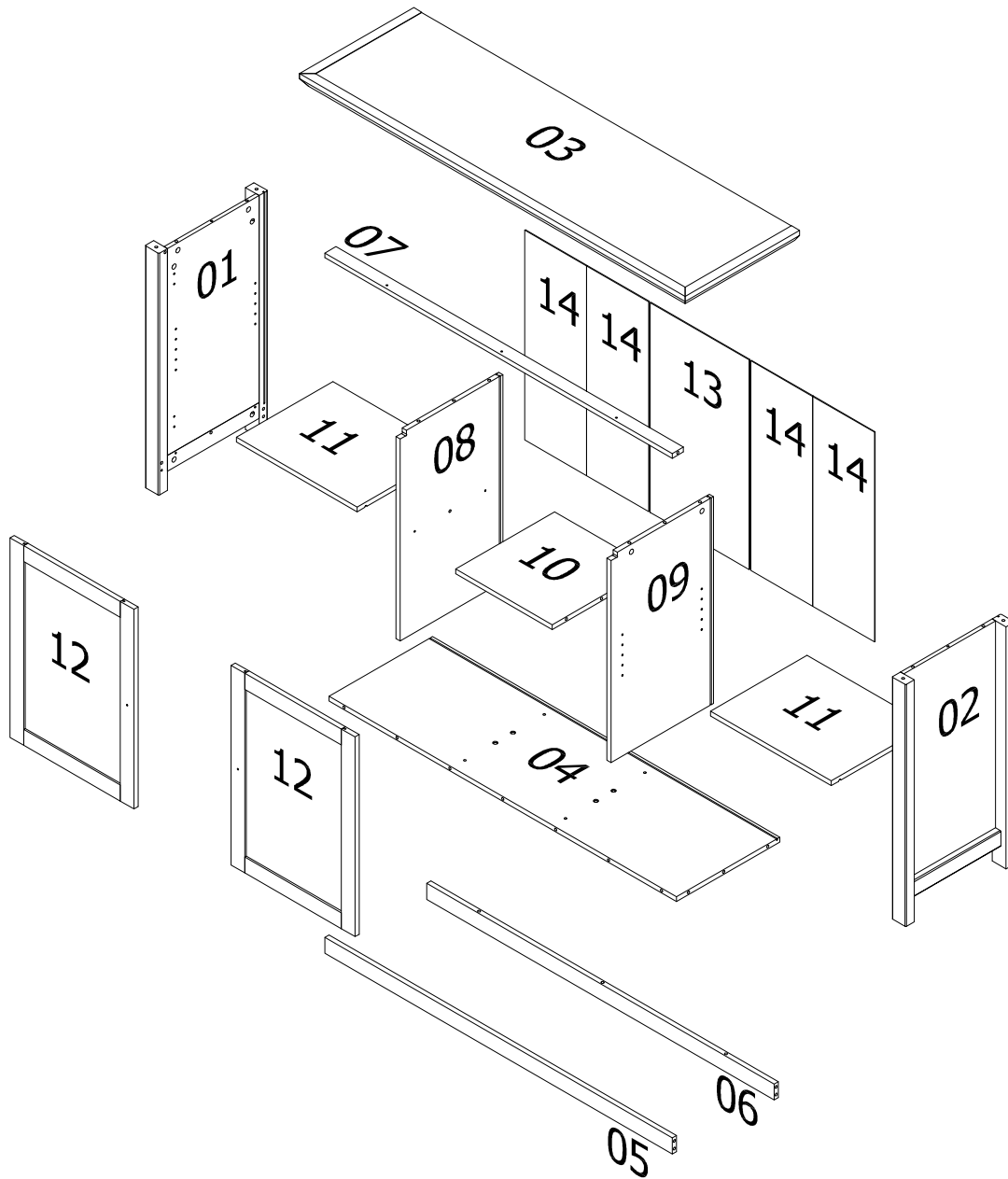
DO NOT USE ABRASIVE OR CHEMICAL CLEANERS AS THESE COULD SCRATCH OR DAMAGE THE SURFACE OF YOUR PRODUCT. WE DO NOT ACCEPT RETURNS FOR INCORRECT CARE OF PRODUCTS.

THE SURFACE OF THIS ITEM IS NOT HEAT RESISTANT.

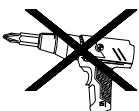
ALWAYS USE A MAT UNDER HOT OR COLD ITEM TO PREVENT MARKING.

PLEASE KEEP THE ORIGINAL PACKING UNTIL YOUR ITEM IS FULLY ASSEMBLED AND IN PLACE, IN THE UNLIKELY EVEN YOU NEED TO RETURN THE PRODUCT, IT MUST BE RETURNED BACK IN ITS ORIGINAL PACKING TO AVOID DAMAGE.

PART LIST



NO.	PART NAME	QTY	NO.	PART NAME	QTY
1	SIDE PANEL (LEFT)	1	8	DIVIDER PANEL (LEFT)	1
2	SIDE PANEL (RIGHT)	1	9	DIVIDER PANEL (RIGHT)	1
3	TOP PANEL	1	10	SHELF PANEL (CENTER)	1
4	BOTTOM PANEL	1	11	SHELF PANEL (SIDE)	2
5	BOTTOM RAIL PANEL (FRONT)	1	12	DOOR PANEL	2
6	BOTTOM RAIL PANEL (BACK)	1	13	BACK PANEL (SIDE)	1
7	TOP SUPPORT PANEL	1	14	BACK PANEL (CENTER)	4



USE OF POWER TOOLS TO ASSEMBLE THIS PRODUCT WILL INVALIDATE ANY CLAIM AND MAY DAMAGE THIS PRODUCT MAKING IT UNSAFE.

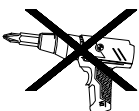
HARDWARE LIST

A		CSK SCREW M3.5 X 15MM	36	N1		METAL HINGES (7/8") W/ SPRING	4
B		CSK SCREW M4 X 30MM	3	N2		HINGES PLATE	4
C		TH CB SCREW M4 X 16MM (RB)	2	P		PLASTIC LEVELLER(10MM)	4
D		EURO SCREW M6 X 13MM	8	Q		METAL KNOB 702-25=(1PC) WITH SCREW (MC4 X 22MM) =(1PC)	2 SETS
E		JCBC(W) SCREW M6 X 40MM	4	R		PLASTIC LEG STUD	4
F		JCBC SCREW M6 X 12MM	4	S		T SHAPE METAL LEG WITH ADJUSTABLE LEG (Ø25 X 95MM)	2
G		JCN NUT Ø6 X L13MM	4	T		METAL ADJUSTABLE SHELF STUD	8
H		WOOD DOWEL (Ø6 X 20MM)	2	U		ALLEN KEY M4	1
J		WOOD DOWEL (Ø8 X 25MM)	25	V		BACKPLY STOPPER	28
K		9047975 BOLT DOWEL DU319 20X5MM	21	W		PP STRAP 12 X 150 X 1.2MM BLK 2 HOLE WITH EYELET	2
L		9064684 CAM 15/15	17	X		GLUE	3
M		9116018 CAM 15/12	4	Y		SEAGRASS BASKET (330MM X 330MM X 300MM)	2

PLEASE CHECK THAT YOU HAVE ALL THE PARTS LISTED.

BEFORE YOU START ASSEMBLING IF YOU FIND THAT SOMETHING IS MISSING DO NOT CONTINUE ASSEMBLY.

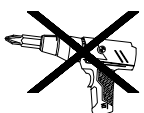
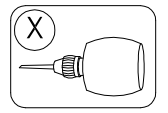
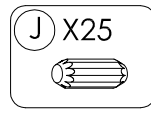
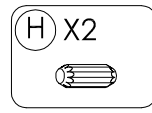
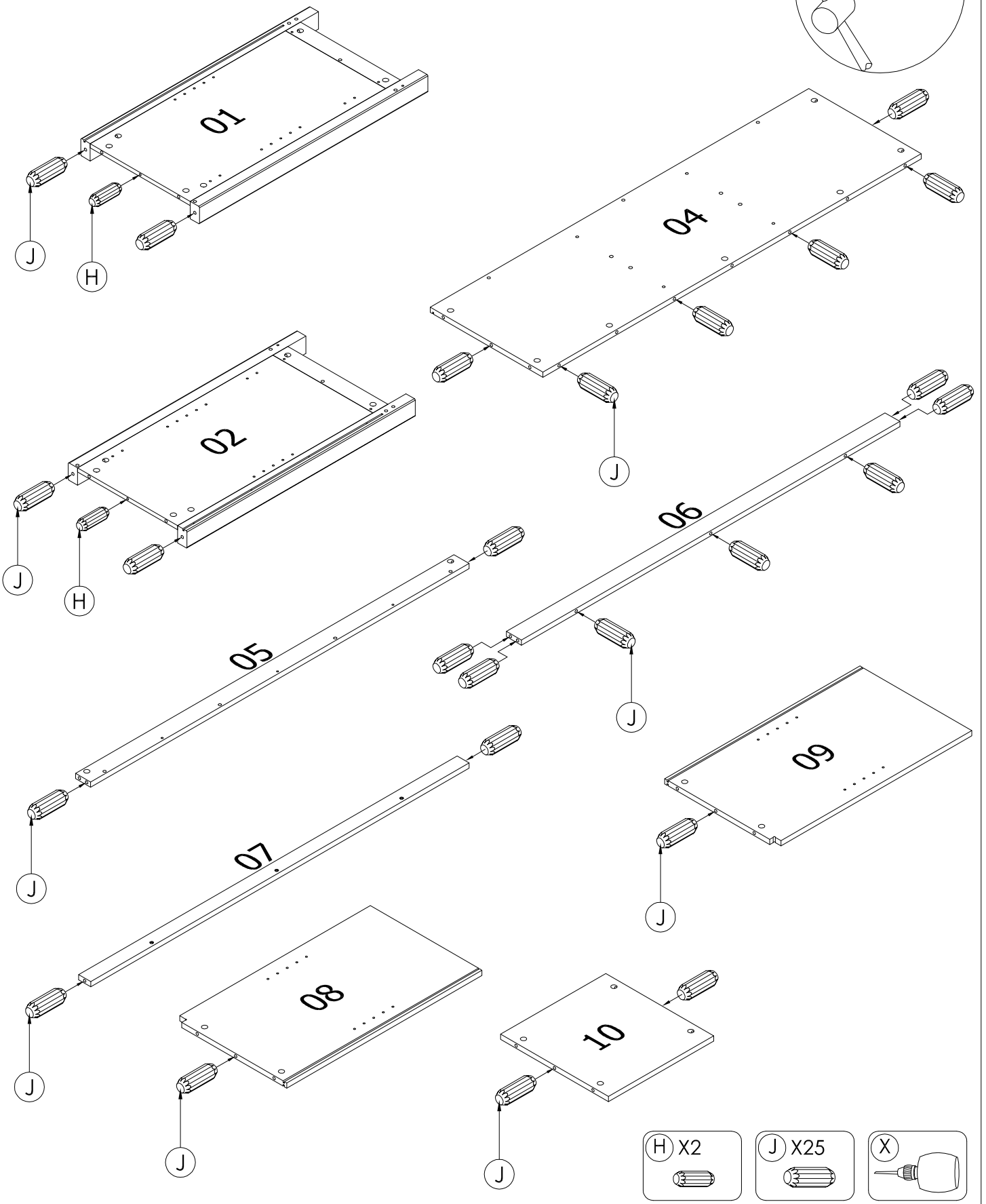
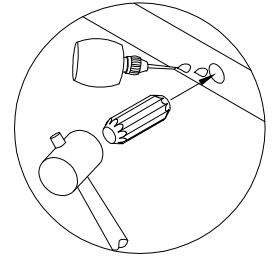
PLEASE CONTACT YOUR SUPPLIER IMMEDIATELY.



USE OF POWER TOOLS TO ASSEMBLE THIS PRODUCT WILL INVALIDATE ANY CLAIM AND MAY DAMAGE THIS PRODUCT MAKING IT UNSAFE.

STEP 1

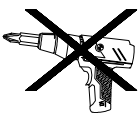
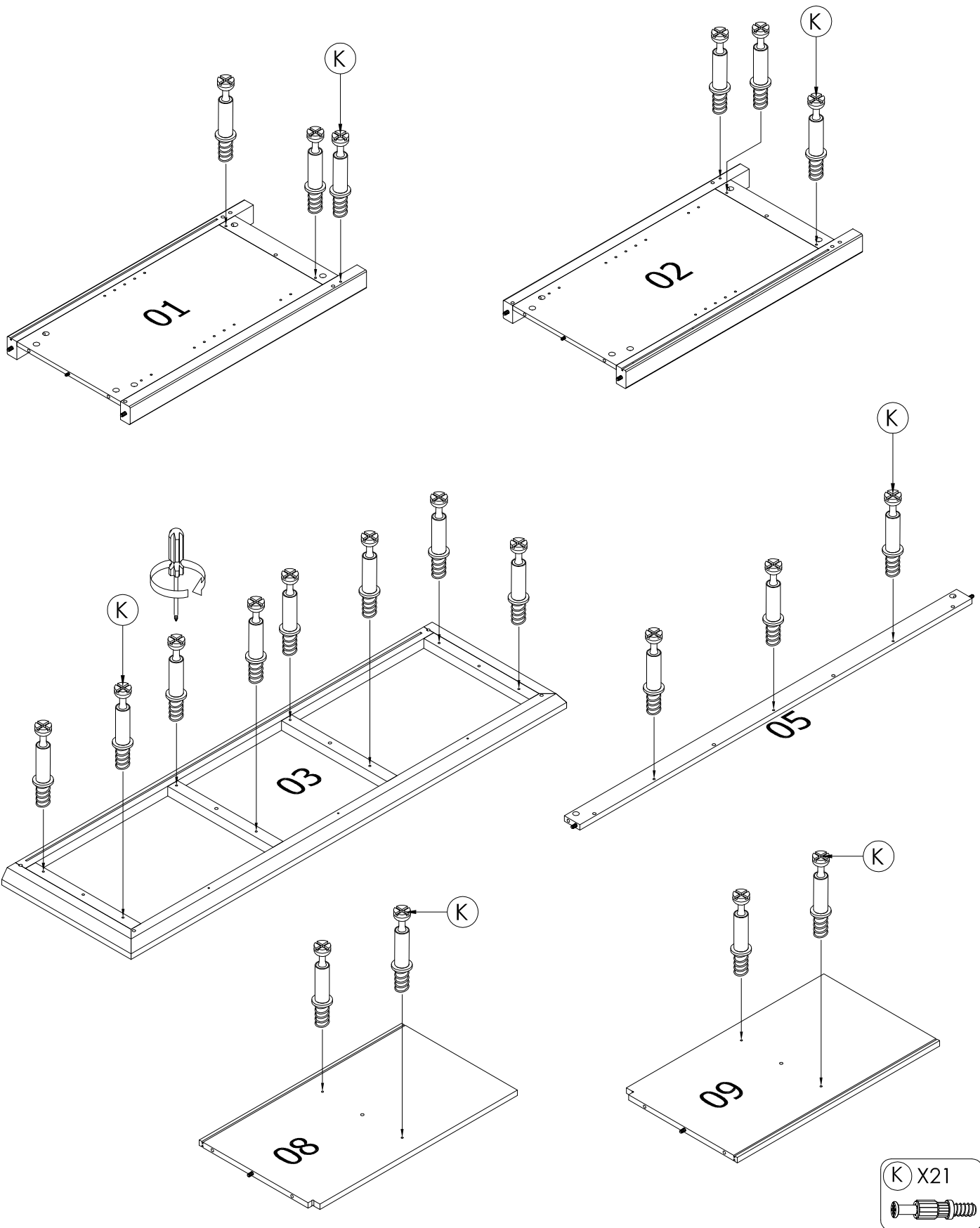
Using glue (X) insert dowel (H & J) into pieces (1, 2, 4, 5, 6, 7, 8, 9 & 10) as shown.



USE OF POWER TOOLS TO ASSEMBLE THIS PRODUCT WILL INVALIDATE ANY CLAIM AND MAY DAMAGE THIS PRODUCT MAKING IT UNSAFE.

STEP 2

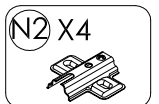
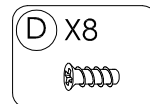
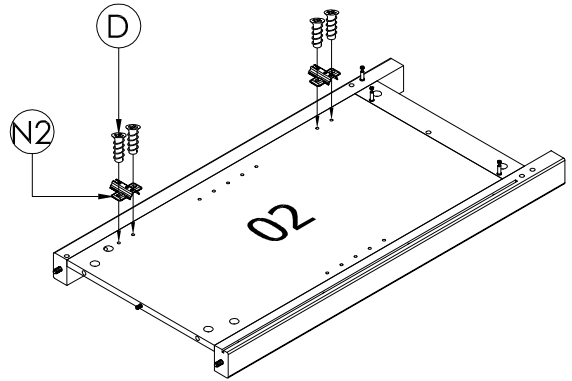
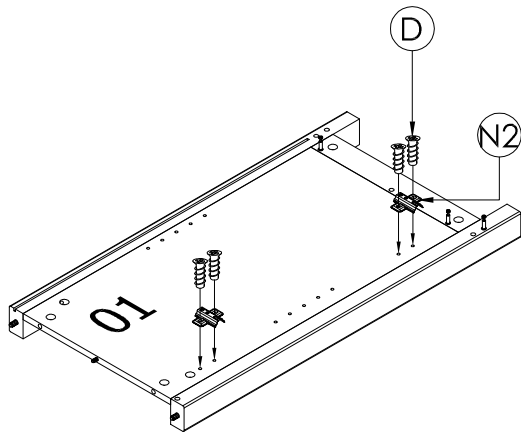
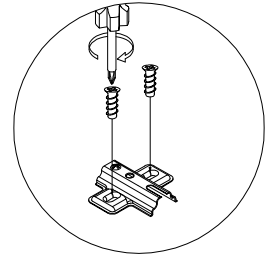
Take all panels (1, 2, 3, 5, 8 & 9), using a drill on low speed / torque or a phillips head screw driver CAM PINS (K) as shown.



USE OF POWER TOOLS TO ASSEMBLE THIS PRODUCT WILL INVALIDATE ANY CLAIM AND MAY DAMAGE THIS PRODUCT MAKING IT UNSAFE.

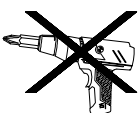
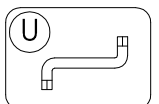
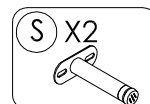
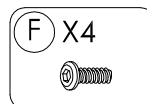
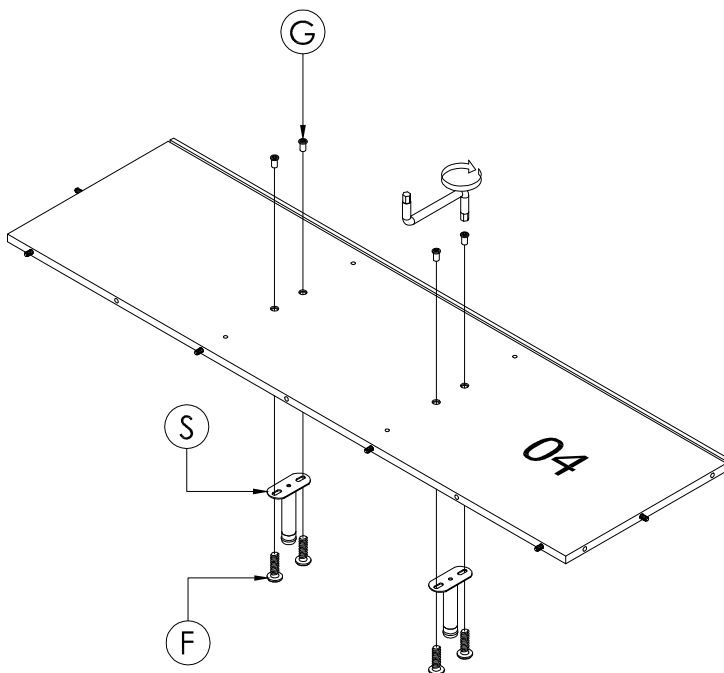
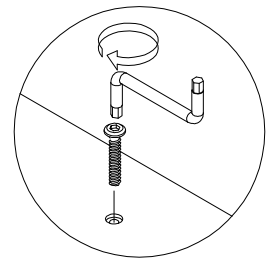
STEP 3

Affix the hinges plate (N2) with screw (D) to side panel (1 & 2) as shown.



STEP 4

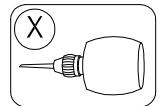
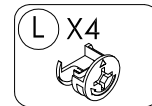
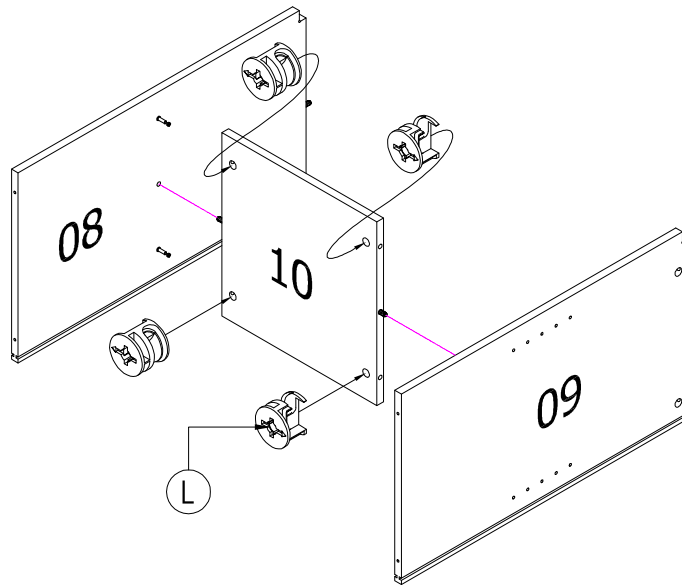
Attach T Shape Metal Leg (S) to bottom panel (4) with screw (F) and JCN NUT (G) using allen key (U).



USE OF POWER TOOLS TO ASSEMBLE THIS PRODUCT WILL INVALIDATE ANY CLAIM AND MAY DAMAGE THIS PRODUCT MAKING IT UNSAFE.

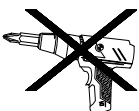
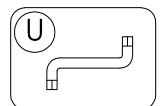
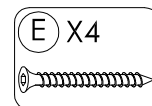
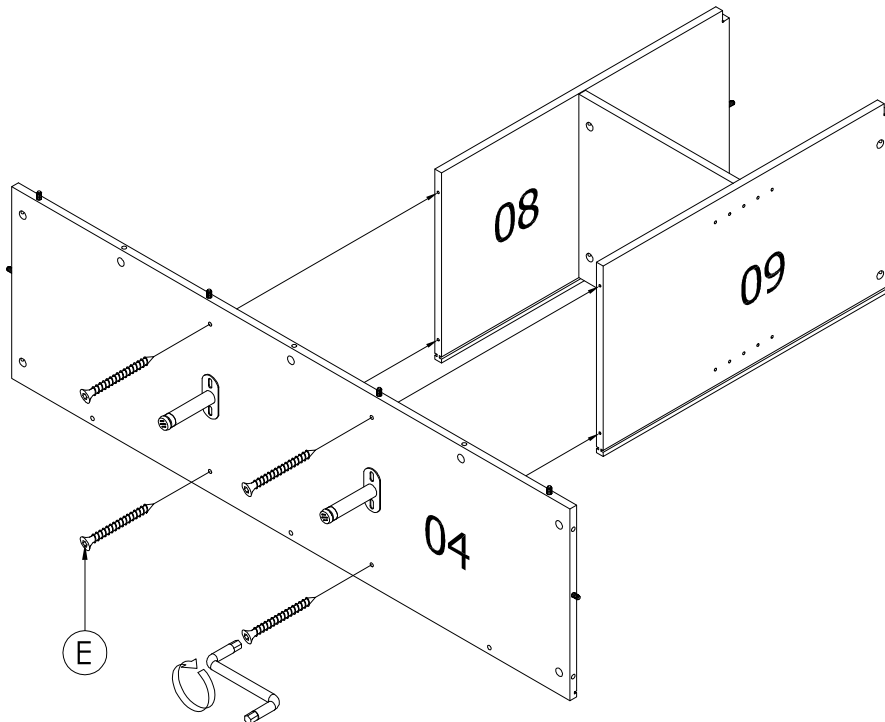
STEP 5

Using glue (X) attach divider panel (8 & 9) to shelf panel (10). Fasten into place using CAM LOCK (L) as shown.



STEP 6

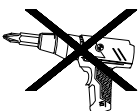
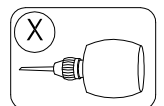
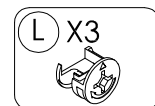
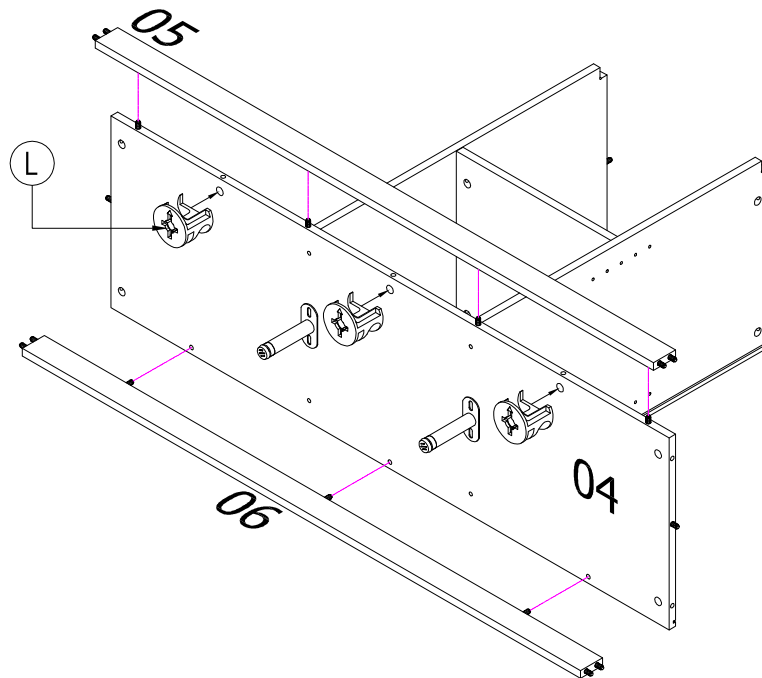
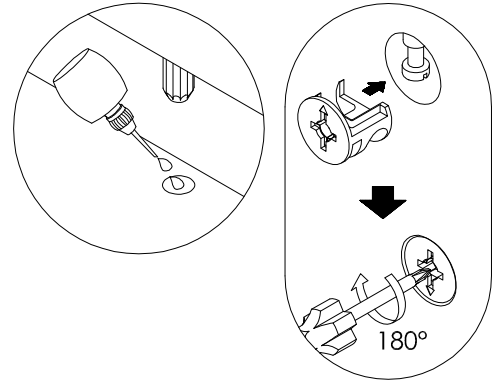
Attach bottom panel (4) to divider panel (8 & 9) using screw 40mm (E) as shown.



USE OF POWER TOOLS TO ASSEMBLE THIS PRODUCT WILL INVALIDATE ANY CLAIM AND MAY DAMAGE THIS PRODUCT MAKING IT UNSAFE.

STEP 7

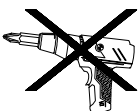
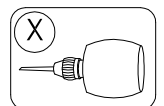
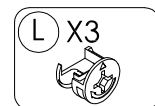
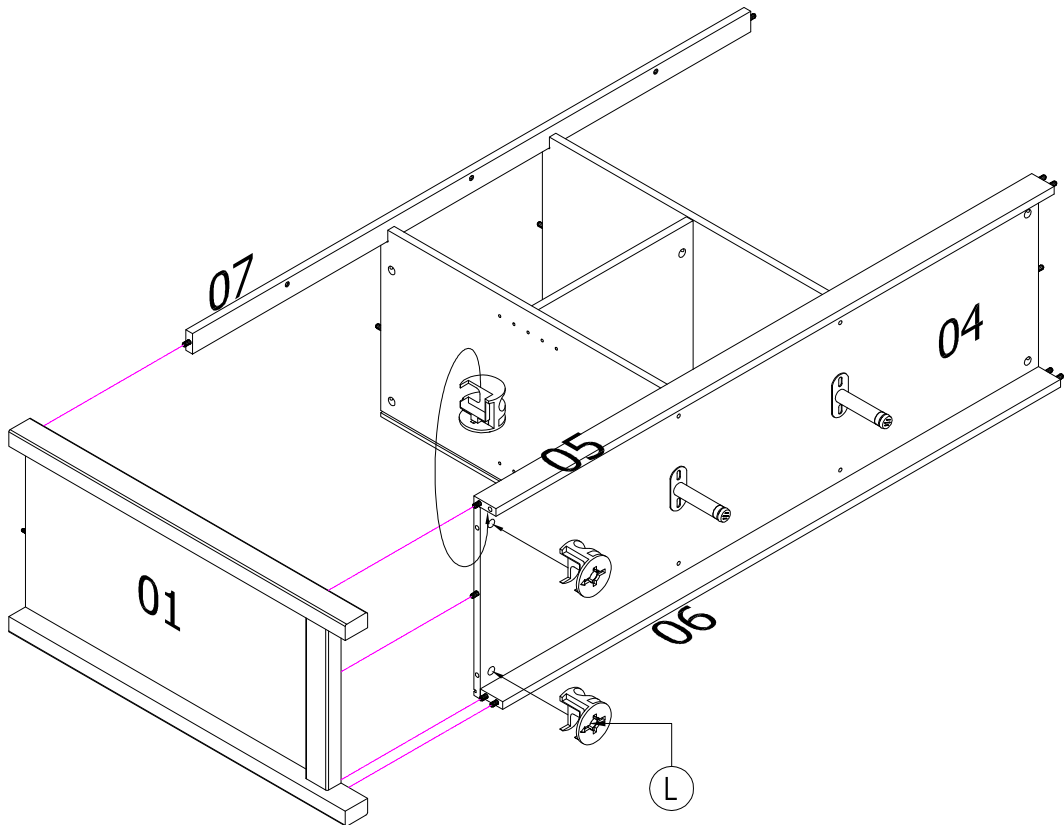
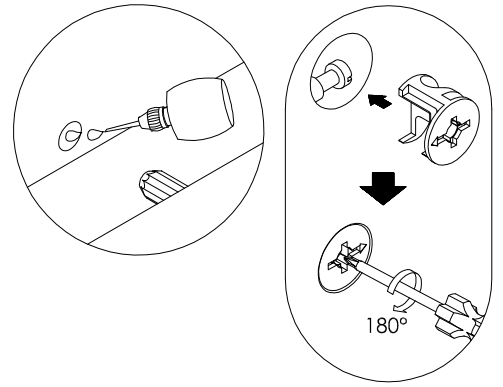
Attach panels (5 & 6) to panel (4) using glue (X) and CAM LOCK (L) as shown.



USE OF POWER TOOLS TO ASSEMBLE THIS PRODUCT WILL INVALIDATE ANY CLAIM AND MAY DAMAGE THIS PRODUCT MAKING IT UNSAFE.

STEP 8

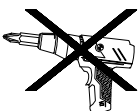
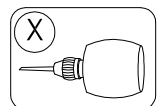
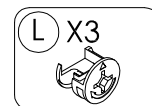
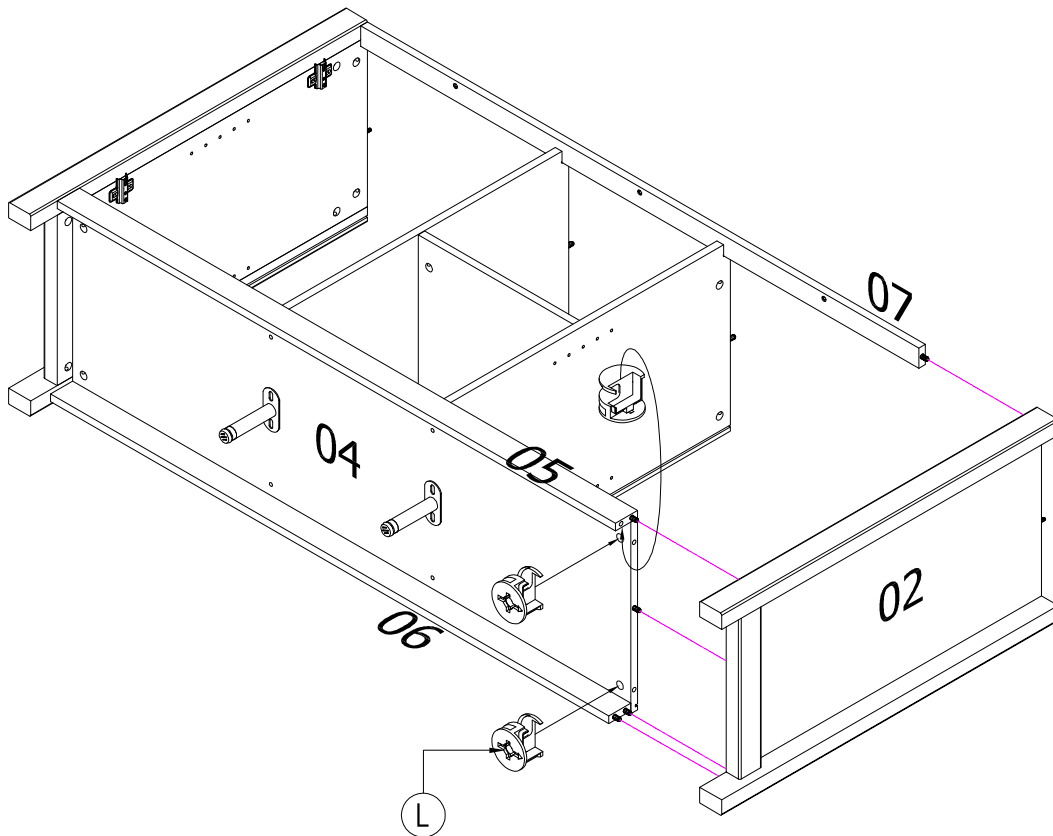
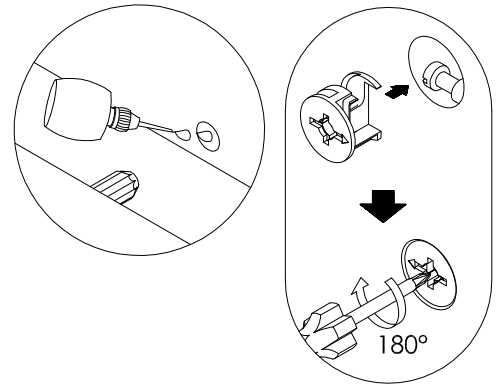
Attach panel (1) using glue (X) attach with CAM LOCKS (L) to panels (4 & 5).



USE OF POWER TOOLS TO ASSEMBLE THIS PRODUCT WILL INVALIDATE ANY CLAIM AND MAY DAMAGE THIS PRODUCT MAKING IT UNSAFE.

STEP 9

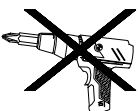
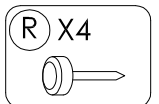
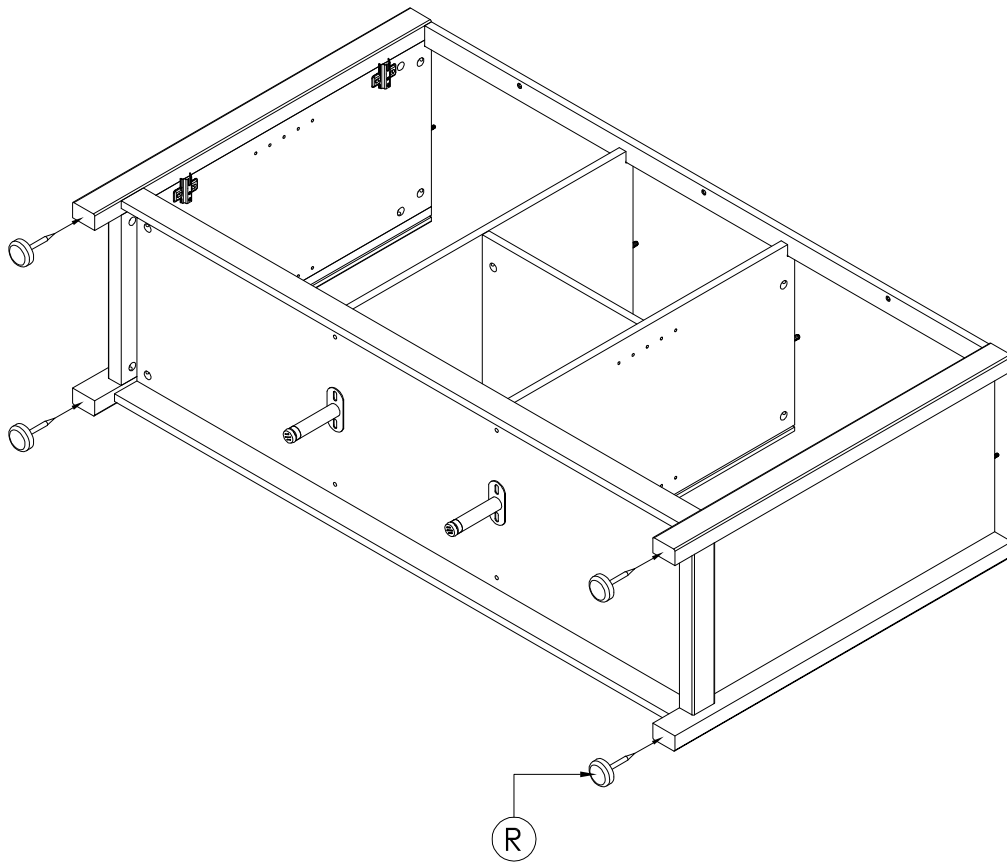
Using glue (X) attach with CAM LOCKS (L) panels (4 & 5) to attach panel (2) to frame.



USE OF POWER TOOLS TO ASSEMBLE THIS PRODUCT WILL INVALIDATE ANY CLAIM AND MAY DAMAGE THIS PRODUCT MAKING IT UNSAFE.

STEP 10

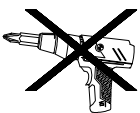
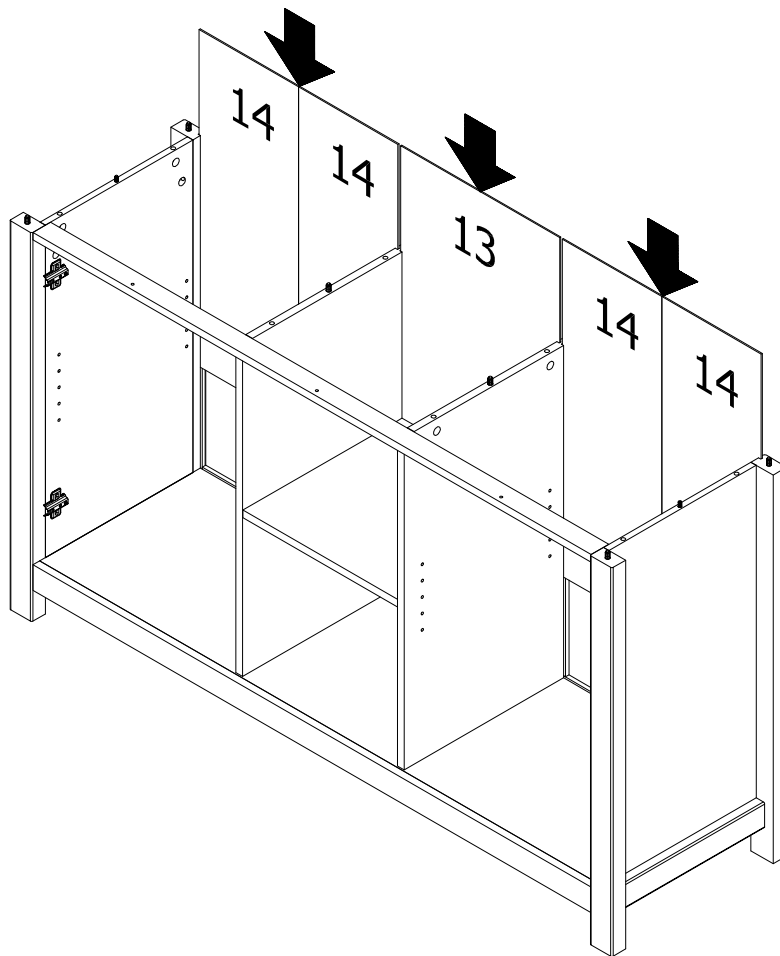
Attach plastic leg stud (R) to bottom as shown.



USE OF POWER TOOLS TO ASSEMBLE THIS PRODUCT WILL INVALIDATE ANY CLAIM AND MAY DAMAGE THIS PRODUCT MAKING IT UNSAFE.

STEP 11

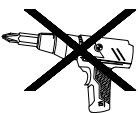
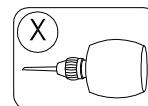
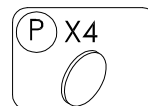
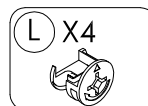
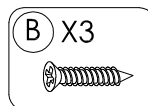
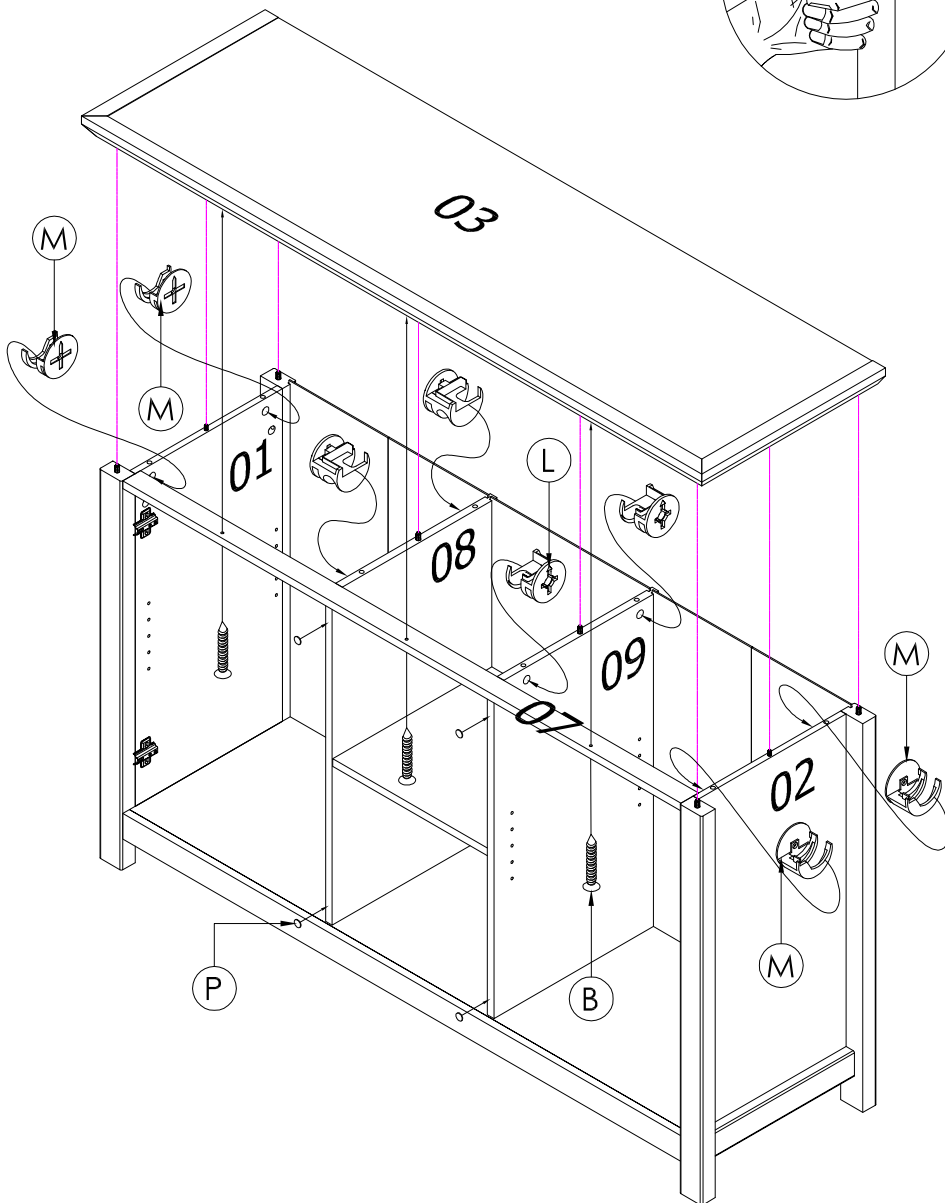
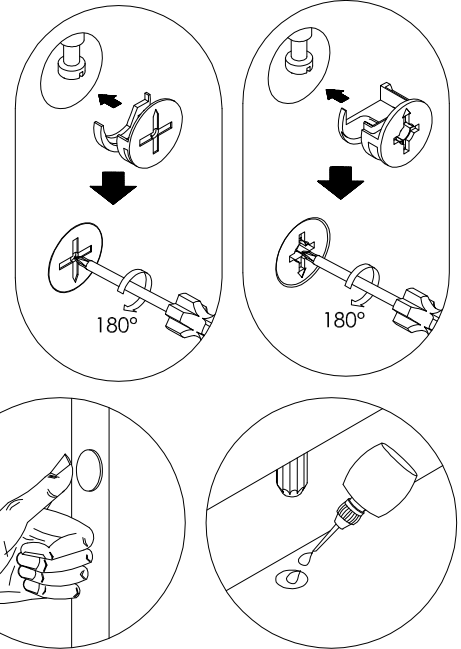
Slot panels (13 & 14) to frame.



USE OF POWER TOOLS TO ASSEMBLE THIS PRODUCT WILL INVALIDATE ANY CLAIM AND MAY DAMAGE THIS PRODUCT MAKING IT UNSAFE.

STEP 12

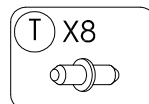
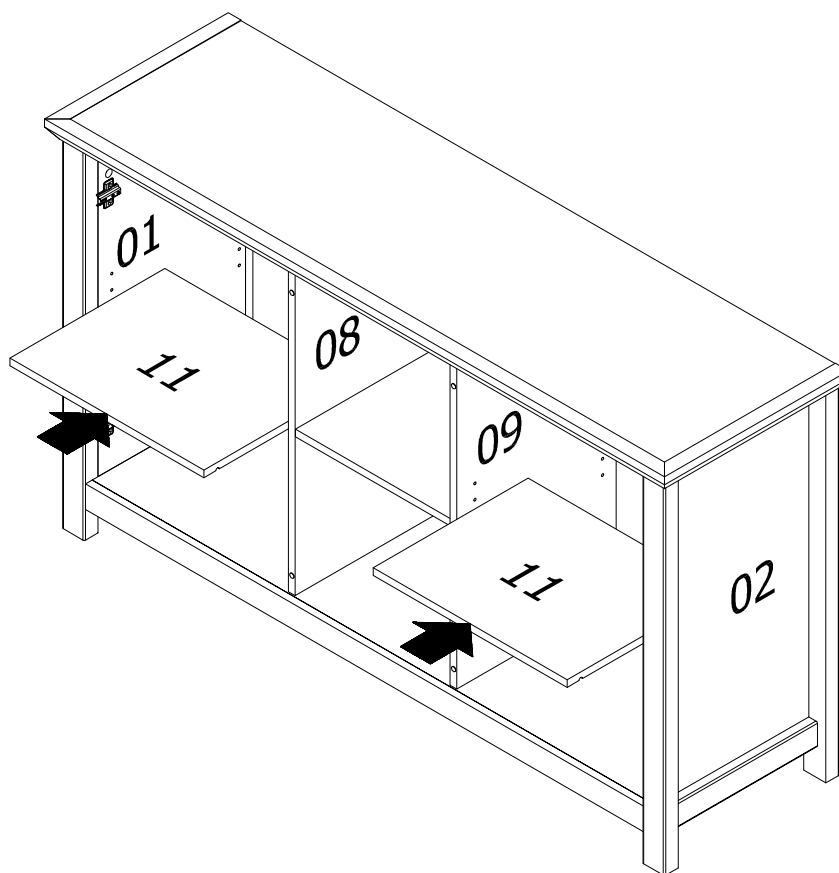
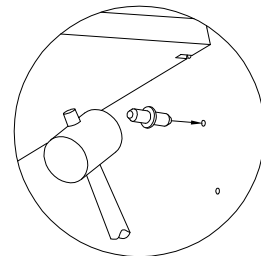
Attach top panel (3) to body using glue (X) with CAM LOCK (L) on panels (8 & 9), CAM LOCK (M) on (1 & 2), also with screw (B) to panel (7). Then attach plastic leveller (P) to front of panels (8 & 9) as shown.



USE OF POWER TOOLS TO ASSEMBLE THIS PRODUCT WILL INVALIDATE ANY CLAIM AND MAY DAMAGE THIS PRODUCT MAKING IT UNSAFE.

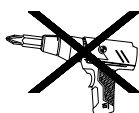
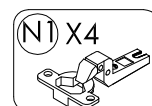
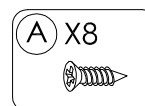
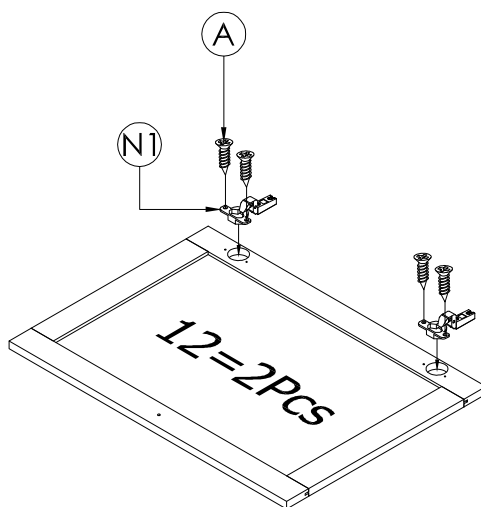
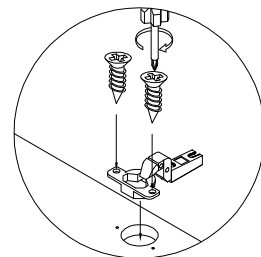
STEP 13

Insert the metal adjustable shelf stud (T) to panel (1, 2, 8 & 9), then slot the shelf panel (11) into the body as shown.



STEP 14

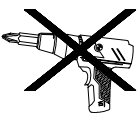
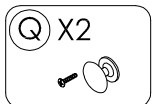
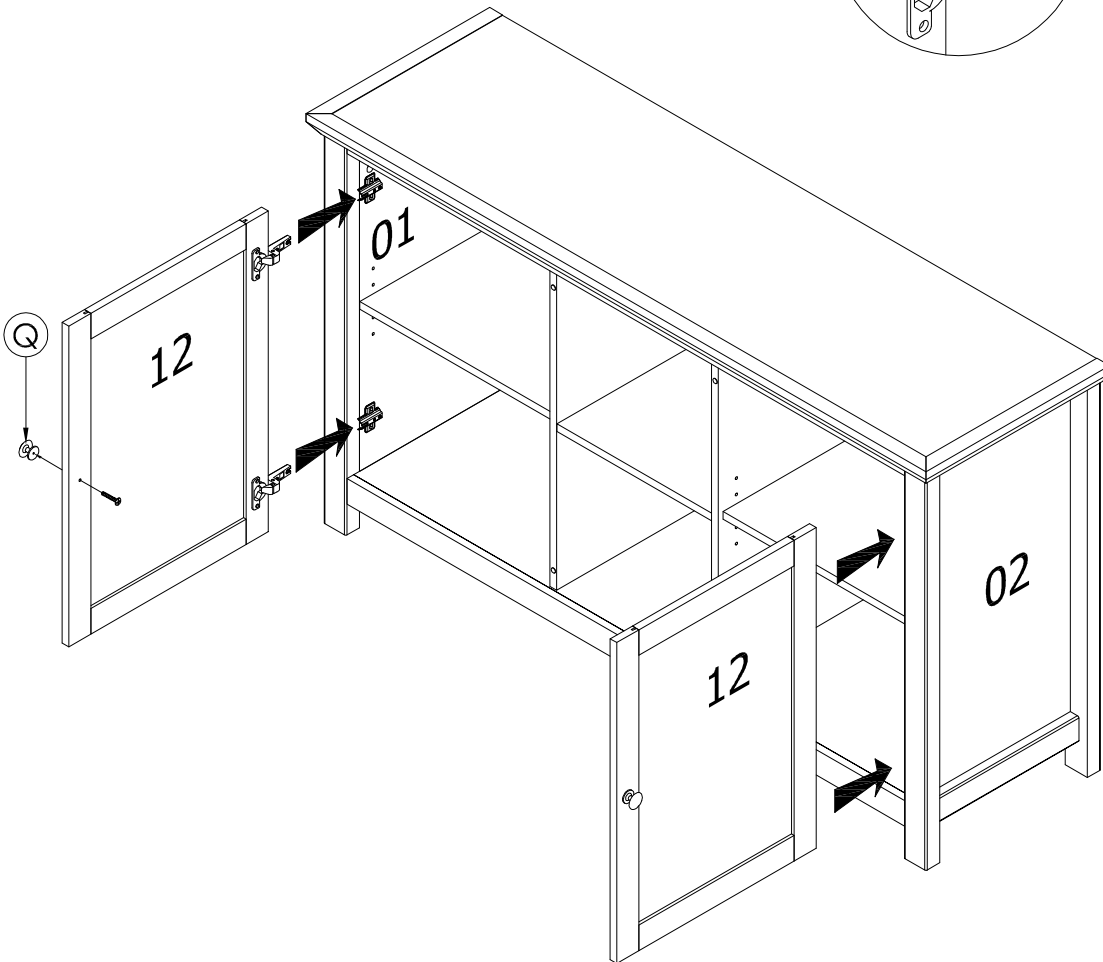
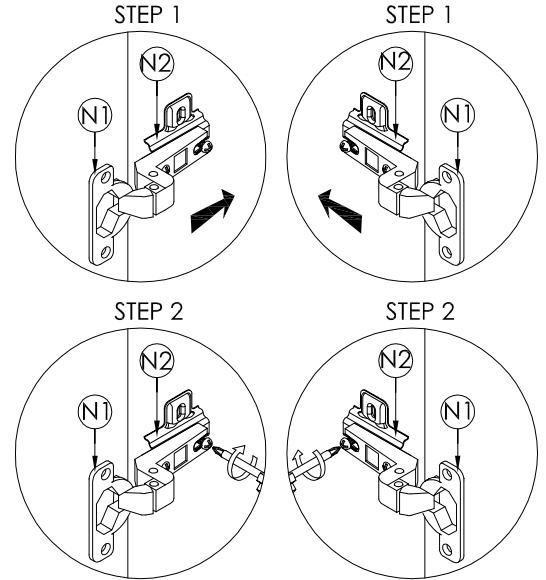
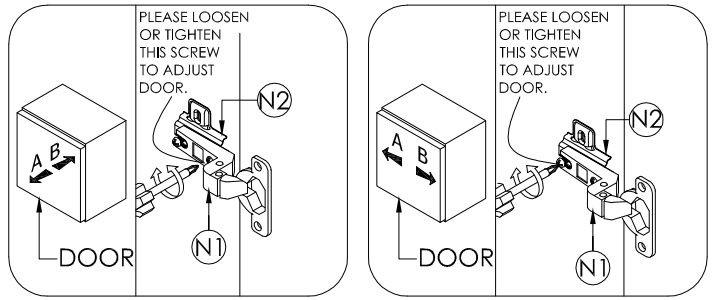
Affix the hinges (N1) with screw (A) and to the door panel (12) as shown.



USE OF POWER TOOLS TO ASSEMBLE THIS PRODUCT WILL INVALIDATE ANY CLAIM AND MAY DAMAGE THIS PRODUCT MAKING IT UNSAFE.

STEP 15

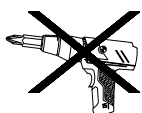
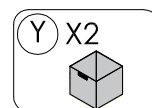
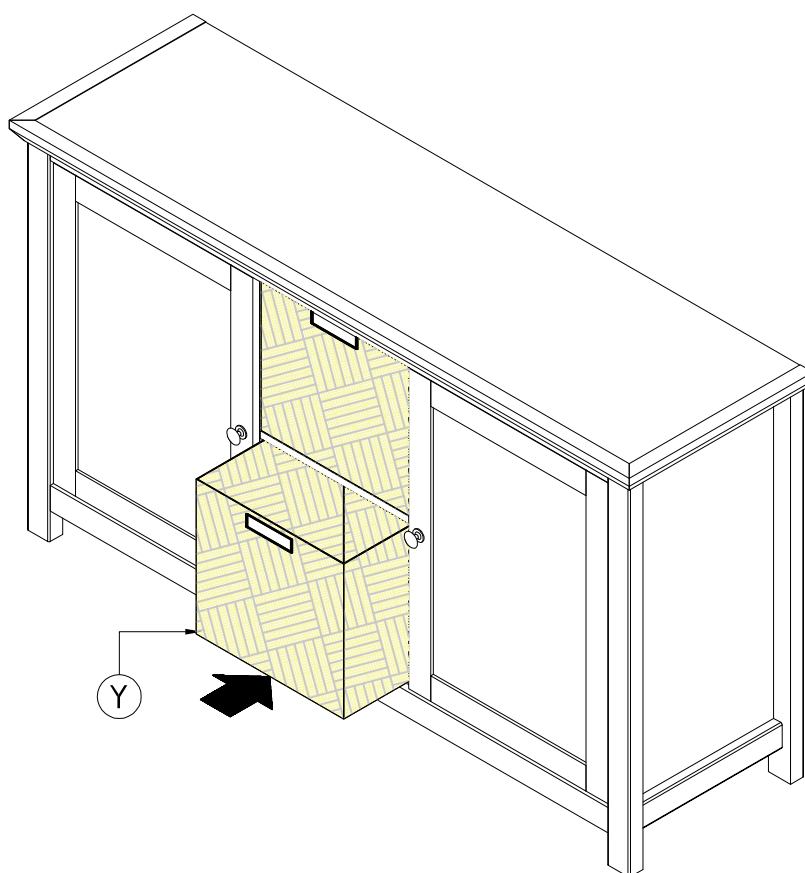
Attach the handle (Q) to door panel (12) as shown.
Then attach the door panel (12) to side panel (1 & 2).



USE OF POWER TOOLS TO ASSEMBLE THIS PRODUCT WILL INVALIDATE ANY CLAIM AND MAY DAMAGE THIS PRODUCT MAKING IT UNSAFE.

STEP 16

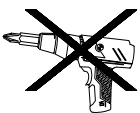
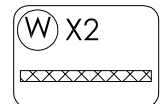
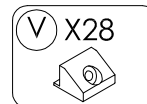
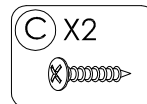
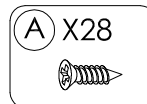
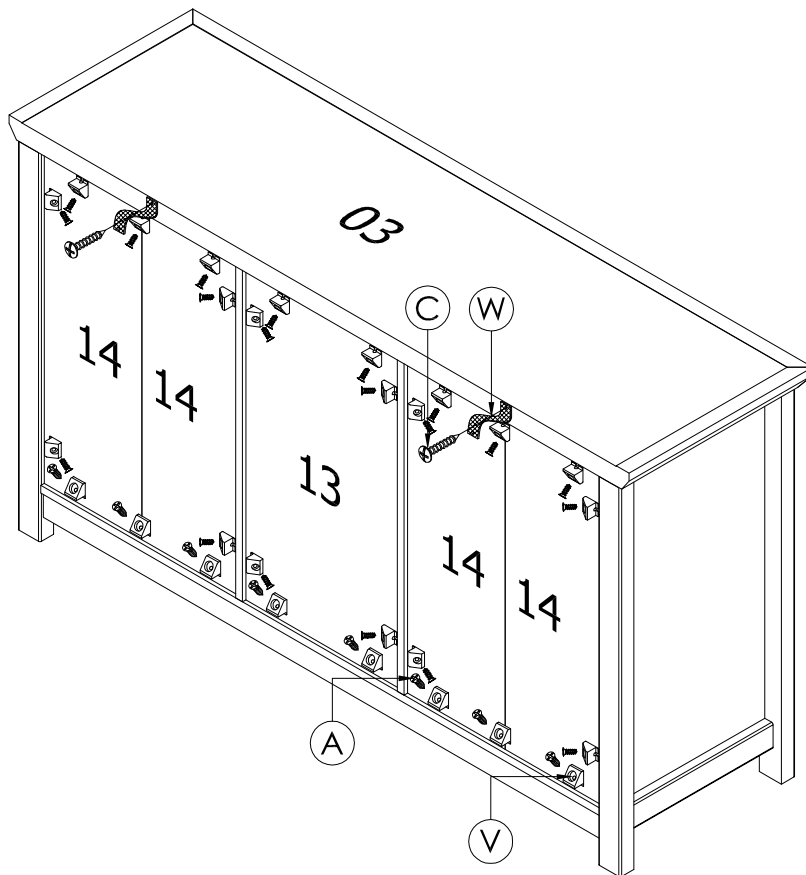
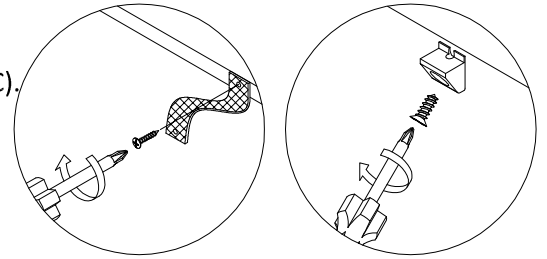
Insert the basket (Y) to body.



USE OF POWER TOOLS TO ASSEMBLE THIS PRODUCT WILL INVALIDATE ANY CLAIM AND MAY DAMAGE THIS PRODUCT MAKING IT UNSAFE.

STEP 17

Attach the backply stoppers (V) to rear panels (13 & 14) using 15mm screw (A). Then attach pp strap (W) to top panels (3) with 16mm screw (C).

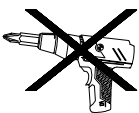
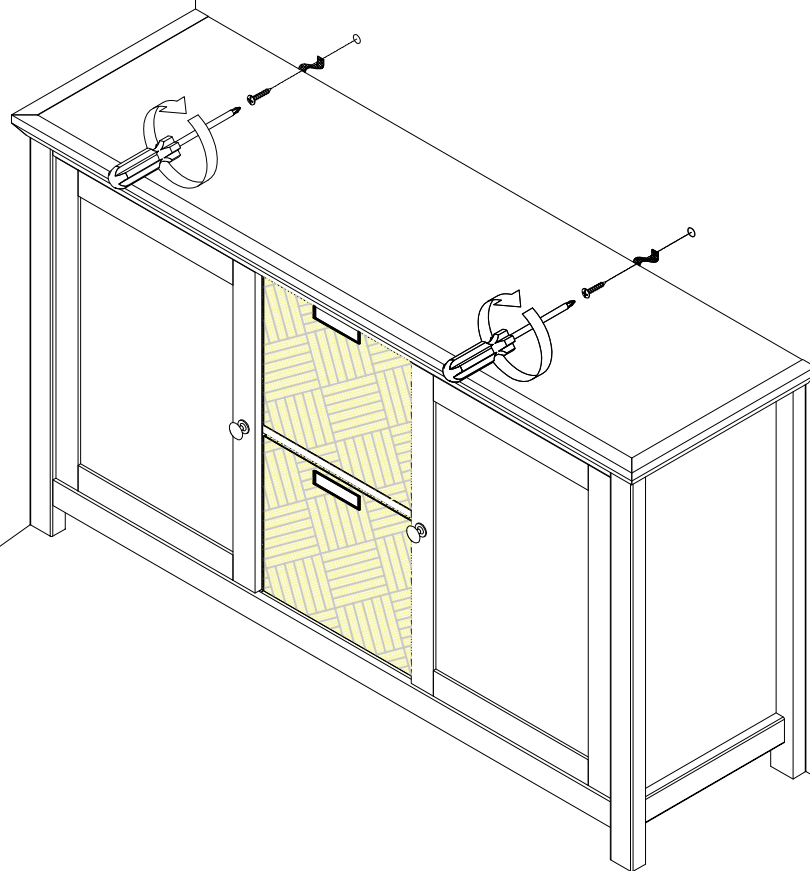


USE OF POWER TOOLS TO ASSEMBLE THIS PRODUCT WILL INVALIDATE ANY CLAIM AND MAY DAMAGE THIS PRODUCT MAKING IT UNSAFE.

ASSEMBLY IS COMPLETE

NOTE :
WALL PLUG & SCREW ARE
NOT SUPPLIED WITH THIS
PRODUCT AS DIFFERENT WALL
MATERIALS REQUIRE DIFFERENT
TYPES OF FIXING HARDWARE &
YOU MUST USE SUITABLE FIXING
HARDWARE FOR TYPE OF WALL
YOU INTEND TO MOUNT THIS
PRODUCT TO WALL.

WALL



**USE OF POWER TOOLS TO ASSEMBLE THIS PRODUCT WILL INVALIDATE ANY CLAIM AND
MAY DAMAGE THIS PRODUCT MAKING IT UNSAFE.**