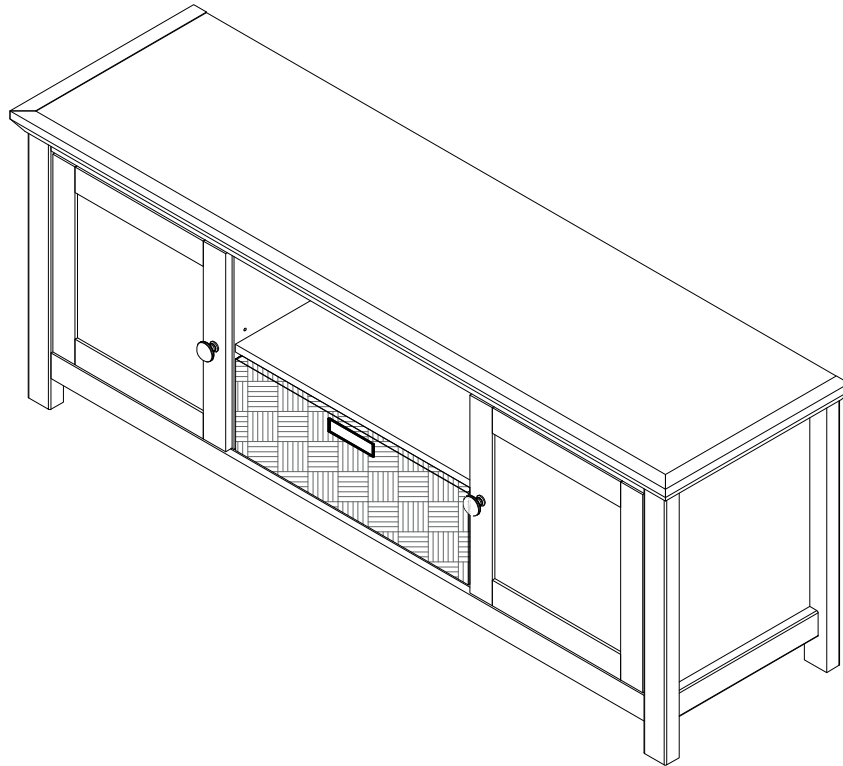


COTSWOLD TV ENTERTAINMENT UNIT ASSEMBLY INSTRUCTIONS



IMPORTANT PLEASE READ BEFORE YOU CONTINUE FURTHER

THE PRODUCT YOU HAVE PURCHASED WILL GIVE YOU MANY YEARS OF SERVICE IF YOU FOLLOW THE GUIDELINES FOR ITS SAFE ASSEMBLY AND PERIODIC MAINTENANCE AND CLEANING...

DO NOT USE ANY TOOLS OTHER THAN THOSE SHOWN.
ASSEMBLE ON A SOFT CLEAN SURFACE.

ANY SPANNERS OR ALLEN KEYS REQUIRED ARE INCLUDED WITH THE FITTINGS KIT.

DO NOT FOR ANY REASON USE A POWER TOOL TO ASSEMBLE THIS PRODUCT. ITS USE WILL INVALIDATE ANY CLAIM YOU MAY HAVE AND COULD MAKE THIS PRODUCT UNSAFE.

DEPENDING ON THE AMOUNT OF USE THIS PRODUCT RECEIVES IT MAY BE NECESSARY TO TIGHTEN UP THE FIXINGS FROM TIME TO TIME. THIS IS COMPLETELY NORMAL FOR ANY FLAT PACK FURNITURE.

FOR CLEANING YOU MAY USE A DAMP CLOTH (NOT WET) OR DRY DUSTER.

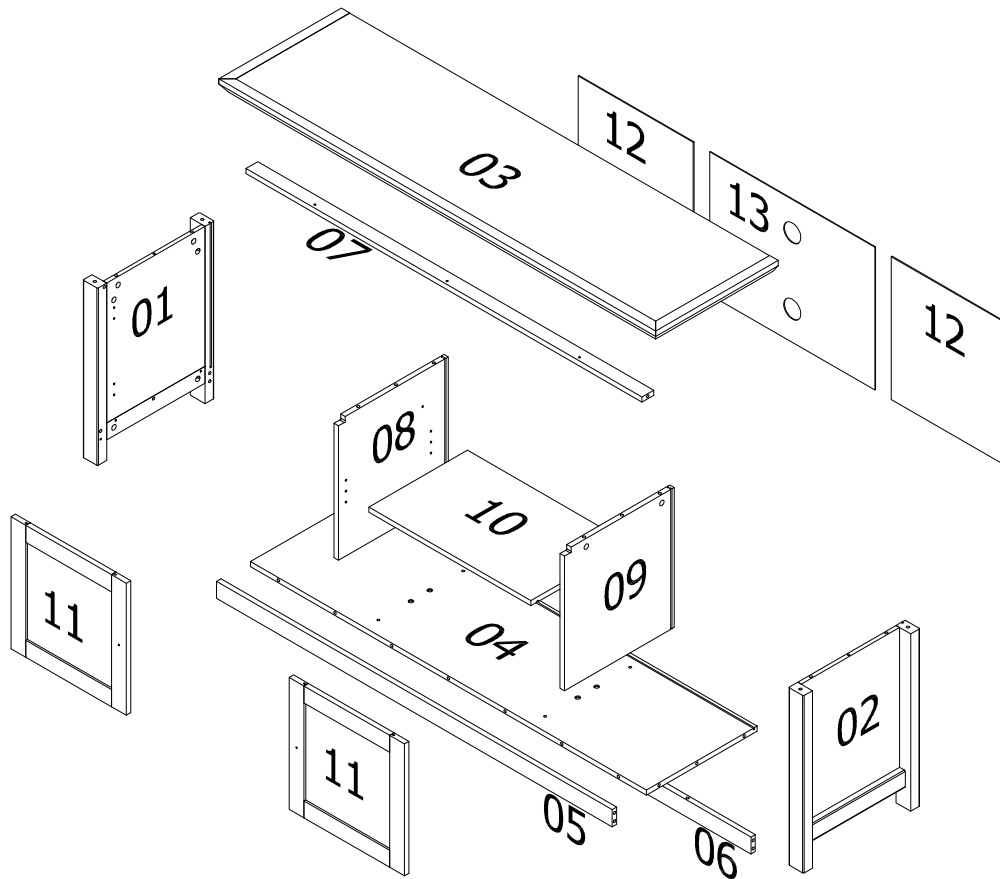
DO NOT USE ABRASIVE OR CHEMICAL CLEANERS AS THESE COULD SCRATCH OR DAMAGE THE SURFACE OF YOUR PRODUCT. WE DO NOT ACCEPT RETURNS FOR INCORRECT CARE OF PRODUCTS.

THE SURFACE OF THIS ITEM IS NOT HEAT RESISTANT.

ALWAYS USE A MAT UNDER HOT OR COLD ITEM TO PREVENT MARKING.

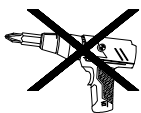
PLEASE KEEP THE ORIGINAL PACKING UNTIL YOUR ITEM IS FULLY ASSEMBLED AND IN PLACE, IN THE UNLIKELY EVEN YOU NEED TO RETURN THE PRODUCT, IT MUST BE RETURNED BACK IN ITS ORIGINAL PACKING TO AVOID DAMAGE.

PART LIST



NO.	PART NAME	QTY
1	SIDE PANEL (LEFT)	1
2	SIDE PANEL (RIGHT)	1
3	TOP PANEL	1
4	BOTTOM PANEL	1
5	BOTTOM RAIL PANEL (FRONT)	1
6	BOTTOM RAIL PANEL (BACK)	1
7	TOP SUPPORT PANEL	1

NO.	PART NAME	QTY
8	DIVIDER PANEL (LEFT)	1
9	DIVIDER PANEL (RIGHT)	1
10	SHELF PANEL (CENTER)	1
11	DOOR PANEL	2
12	BACK PANEL (SIDE)	2
13	BACK PANEL (CENTER)	1



USE OF POWER TOOLS TO ASSEMBLE THIS PRODUCT WILL INVALIDATE ANY CLAIM AND MAY DAMAGE THIS PRODUCT MAKING IT UNSAFE.

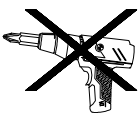
HARDWARE LIST

A		CSK SCREW M3.5 X 15MM	32	M2		HINGES PLATE	4
B		CSK SCREW M4 X 30MM	3	N		PLASTIC LEVELLER(10MM)	4
C		EURO SCREW M6 X 13MM	8	P		WOODEN KNOB HANDLE (32MM)= (1PC) WITH SCREW (MC4 X 25MM)= (1PC)	2 SETS
D		JCBC(W) SCREW M6 X 40MM	4	Q		PLASTIC LEG STUD	4
E		JCBC SCREW M6 X 12MM	4	R		T SHAPE METAL LEG WITH ADJUSTABLE LEG (Ø25 X 95MM)	2
F		JCN NUT Ø6 X L13MM	4	S		METAL ADJUSTABLE SHELF STUD	4
G		WOOD DOWEL (Ø6 X 20MM)	2	T		ALLEN KEY M4	1
H		WOOD DOWEL (Ø8 X 25MM)	23	U		BACKPLY STOPPER	24
J		9047975 BOLT DOWEL DU319 20X5MM	17	V		GLUE	2
K		9064684 CAM 15/15	13	W		METAL PIN (Ø5 X 35MM)	2
L		9116018 CAM 15/12	4	X		SEAGRASS BASKET (530MM X 270MM X 180MM)	1
M1		METAL HINGES (7/8") W/ SPRING	4				

PLEASE CHECK THAT YOU HAVE ALL THE PARTS LISTED.

BEFORE YOU START ASSEMBLING IF YOU FIND THAT SOMETHING IS MISSING DO NOT CONTINUE ASSEMBLY.

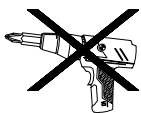
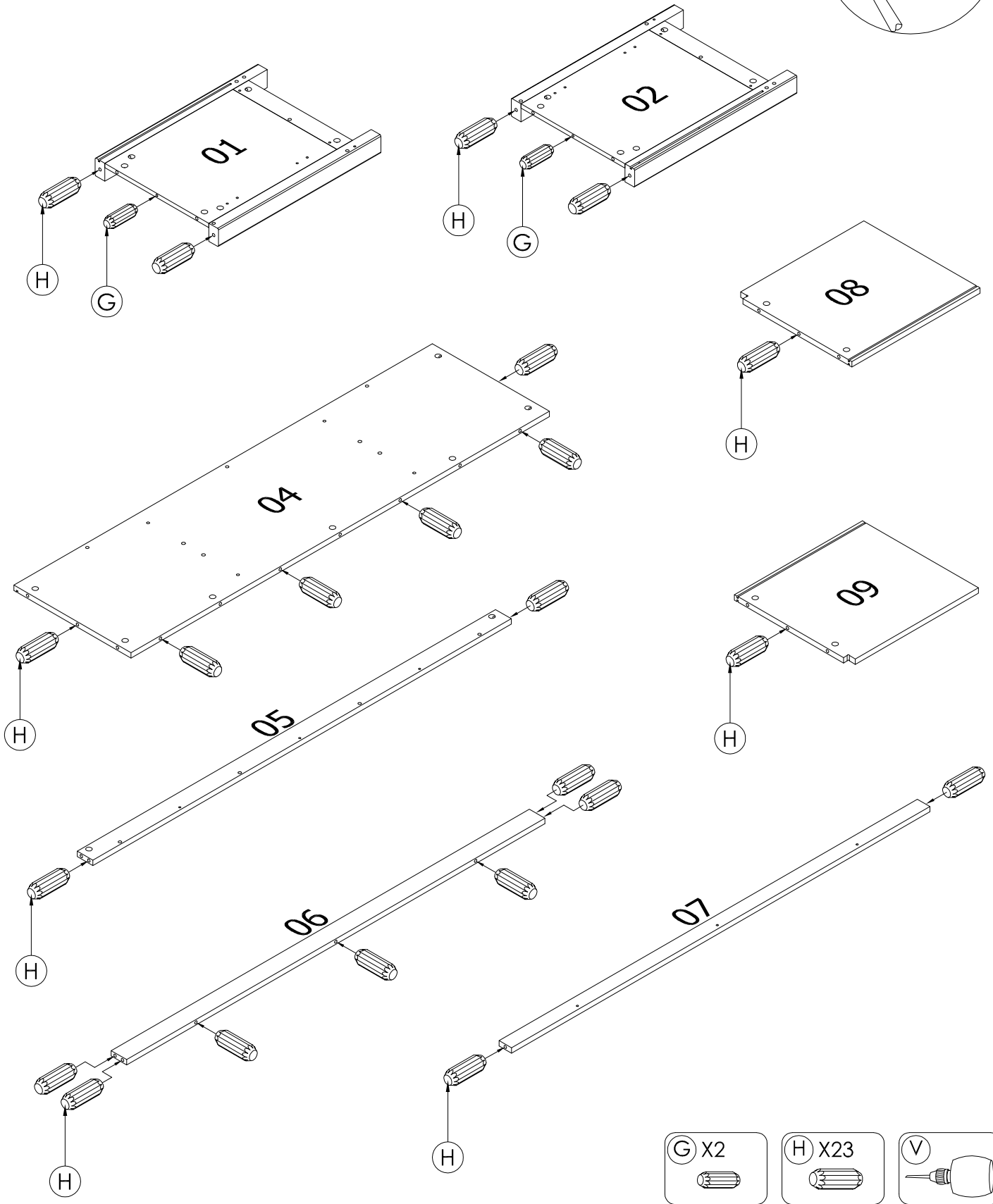
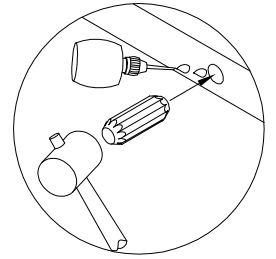
PLEASE CONTACT YOUR SUPPLIER IMMEDIATELY.



USE OF POWER TOOLS TO ASSEMBLE THIS PRODUCT WILL INVALIDATE ANY CLAIM AND MAY DAMAGE THIS PRODUCT MAKING IT UNSAFE.

STEP 1

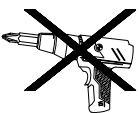
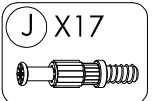
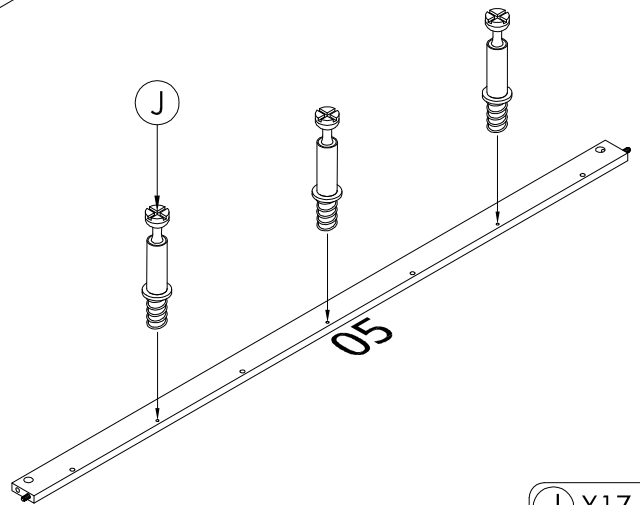
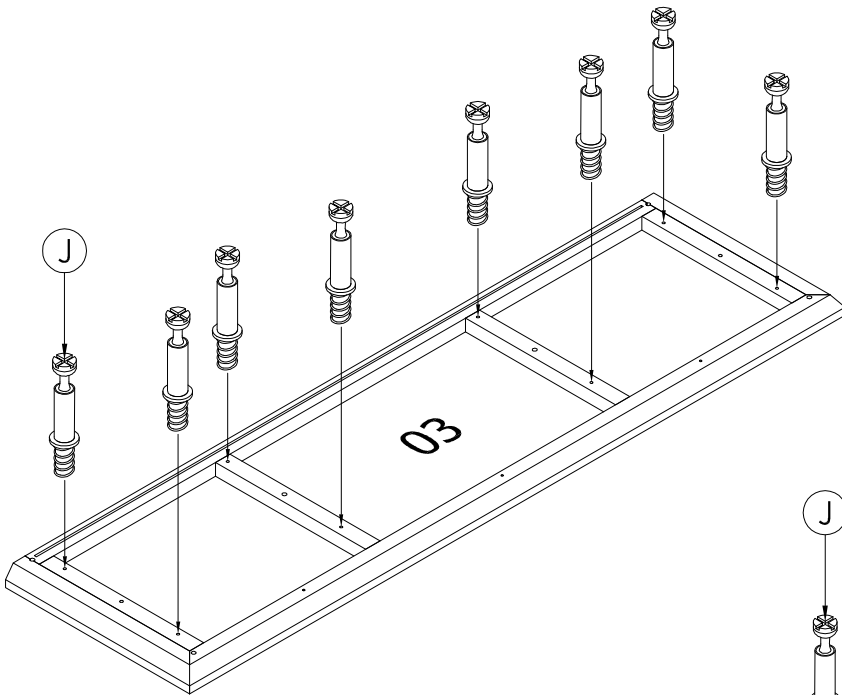
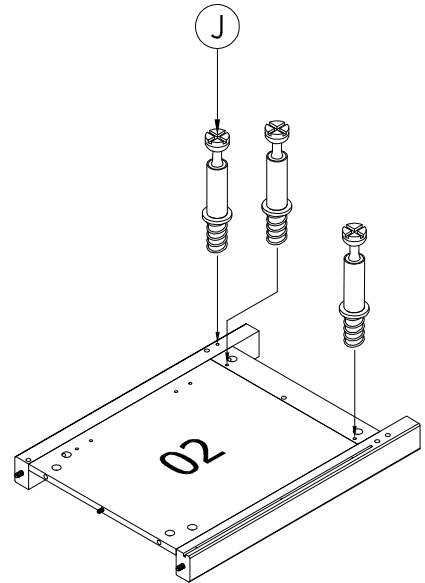
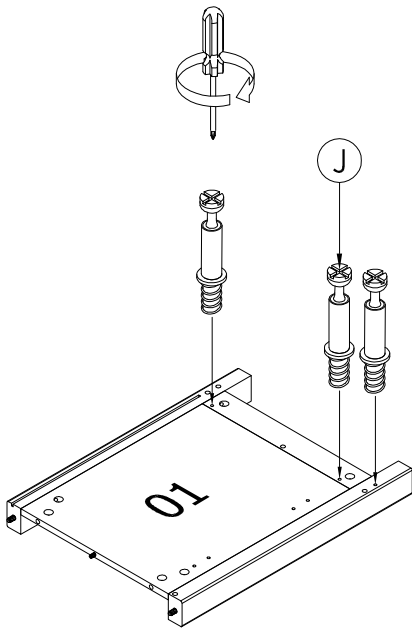
Using glue (V) insert dowel (G & H) into pieces (1, 2, 4, 5, 6, 7, 8 & 9) as shown.



USE OF POWER TOOLS TO ASSEMBLE THIS PRODUCT WILL INVALIDATE ANY CLAIM AND MAY DAMAGE THIS PRODUCT MAKING IT UNSAFE.

STEP 2

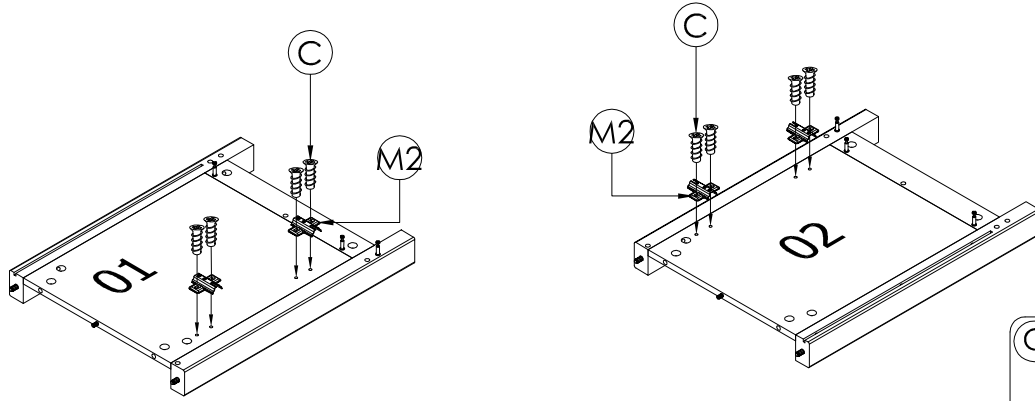
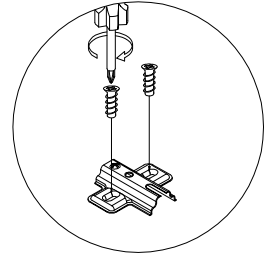
Take all panels (1, 2, 3 & 5), using a drill on low speed / torque or a phillips head screw driver CAM PINS (J) as shown.



USE OF POWER TOOLS TO ASSEMBLE THIS PRODUCT WILL INVALIDATE ANY CLAIM AND MAY DAMAGE THIS PRODUCT MAKING IT UNSAFE.

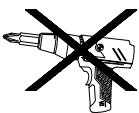
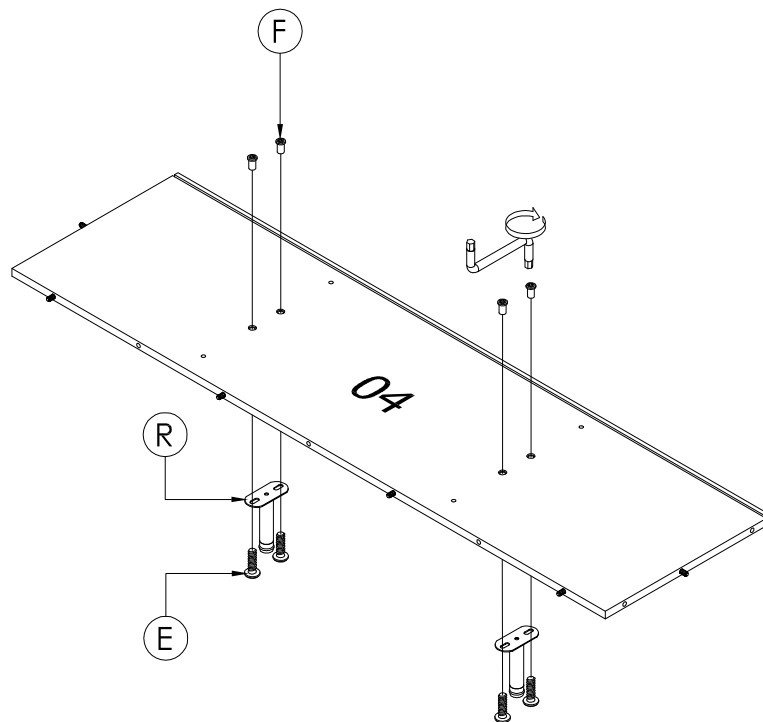
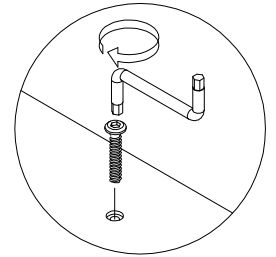
STEP 3

Affix the hinges plate (M2) with screw (C) to side panel (1 & 2) as shown.



STEP 4

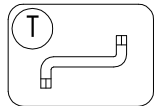
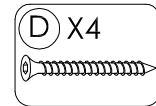
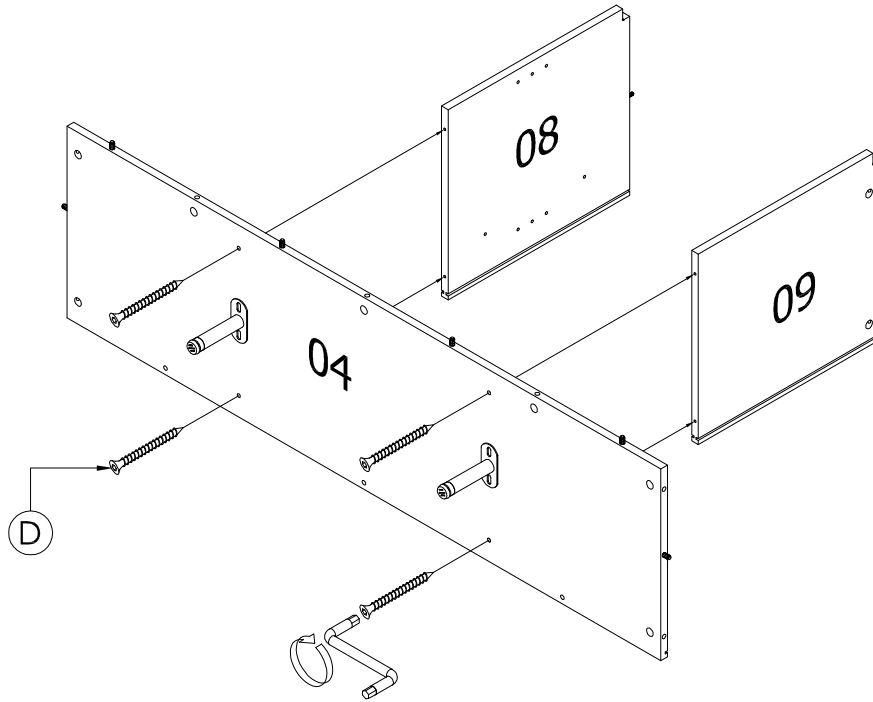
Attach T Shape Metal Leg (R) to bottom panel (4) with screw (E) and JCN NUT (F) using allen key (T).



USE OF POWER TOOLS TO ASSEMBLE THIS PRODUCT WILL INVALIDATE ANY CLAIM AND MAY DAMAGE THIS PRODUCT MAKING IT UNSAFE.

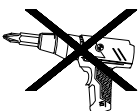
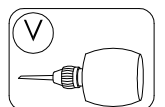
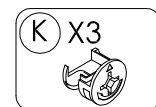
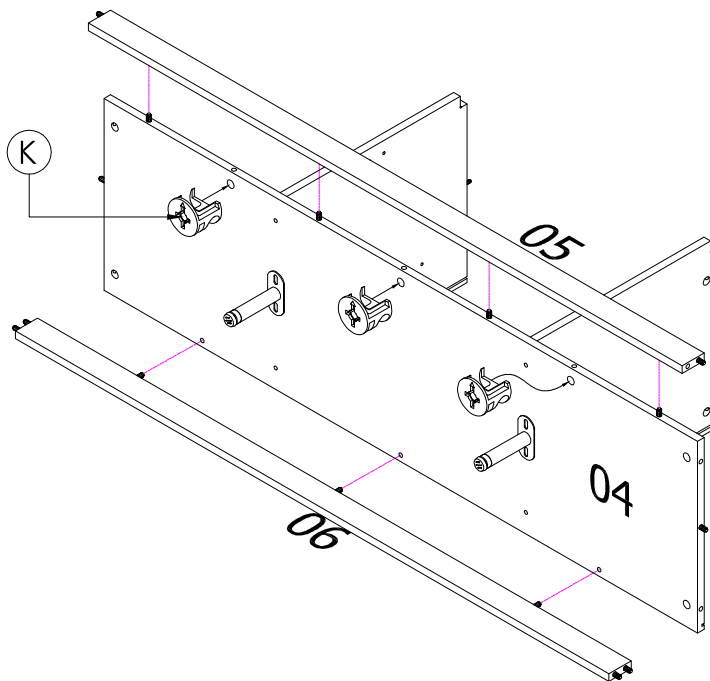
STEP 5

Attach bottom panel (4) to divider panel (8 & 9) using screw (D) as shown.



STEP 6

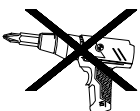
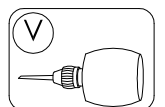
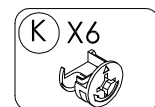
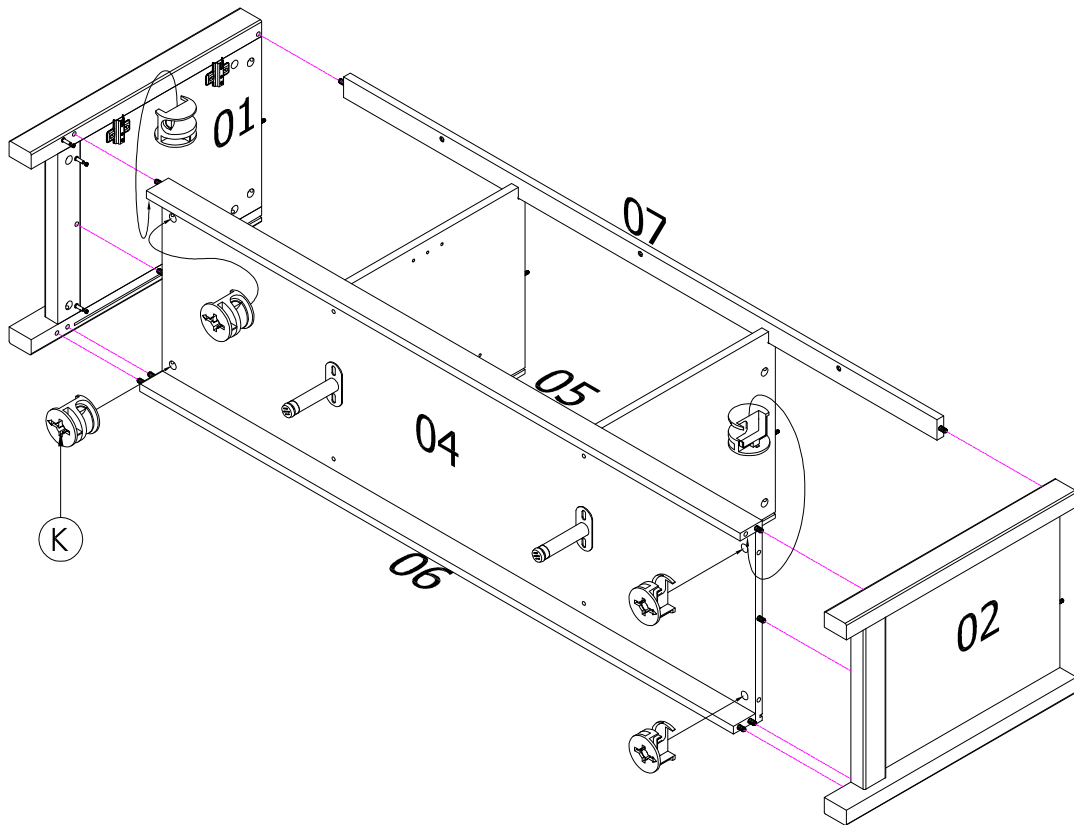
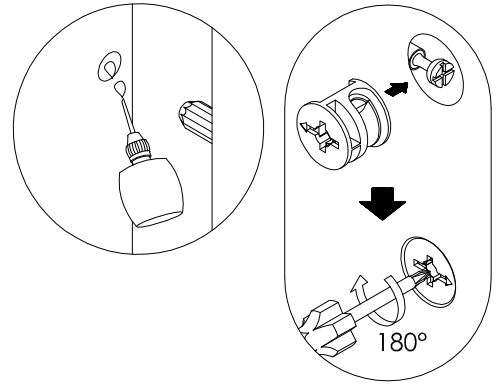
Attach panels (5 & 6) to panel (4) using glue (V) and CAM LOCK (K) as shown.



USE OF POWER TOOLS TO ASSEMBLE THIS PRODUCT WILL INVALIDATE ANY CLAIM AND MAY DAMAGE THIS PRODUCT MAKING IT UNSAFE.

STEP 7

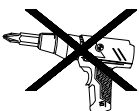
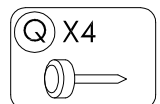
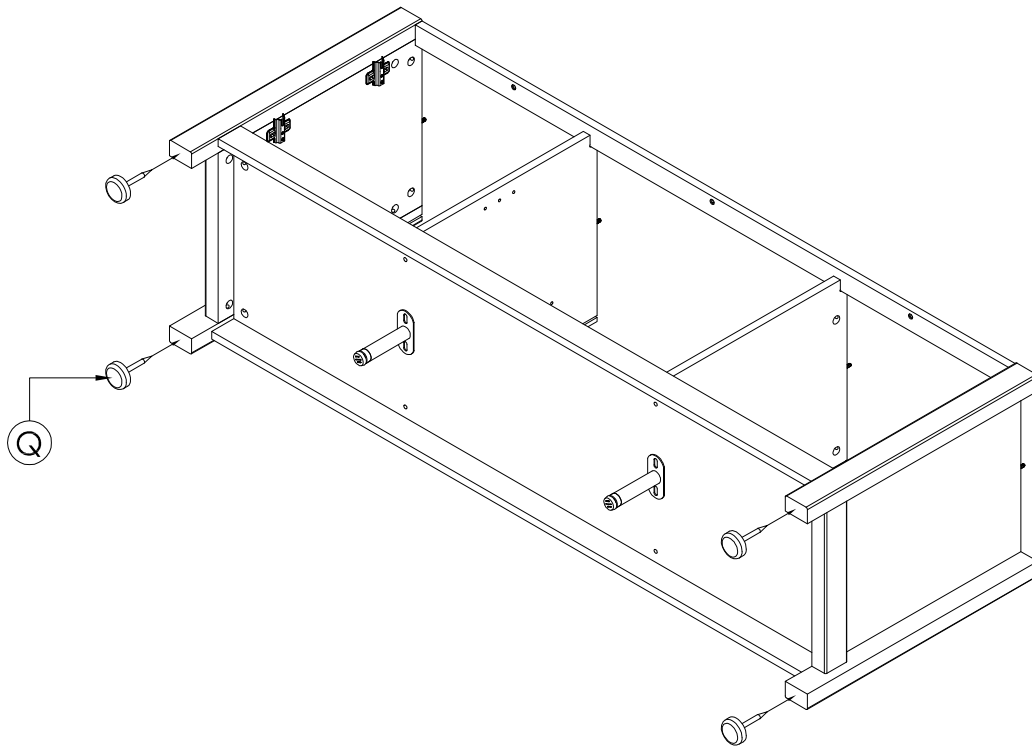
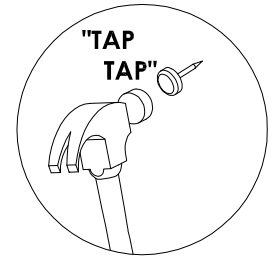
Attach panels (1 & 2) to frame using glue (V) with CAM LOCK (K) as shown. Turn CAM LOCK using screw driver until they tighten into place.



USE OF POWER TOOLS TO ASSEMBLE THIS PRODUCT WILL INVALIDATE ANY CLAIM AND MAY DAMAGE THIS PRODUCT MAKING IT UNSAFE.

STEP 8

Attach plastic leg stud (Q) to bottom as shown.

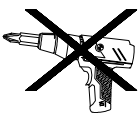
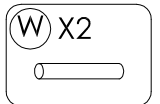
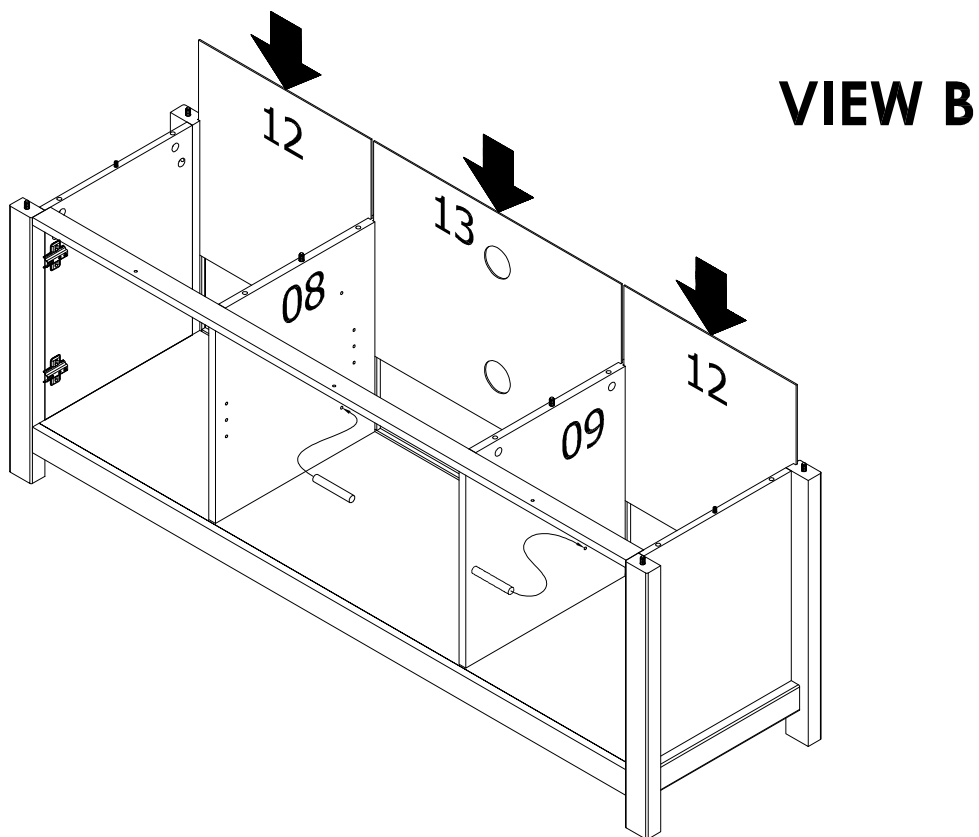
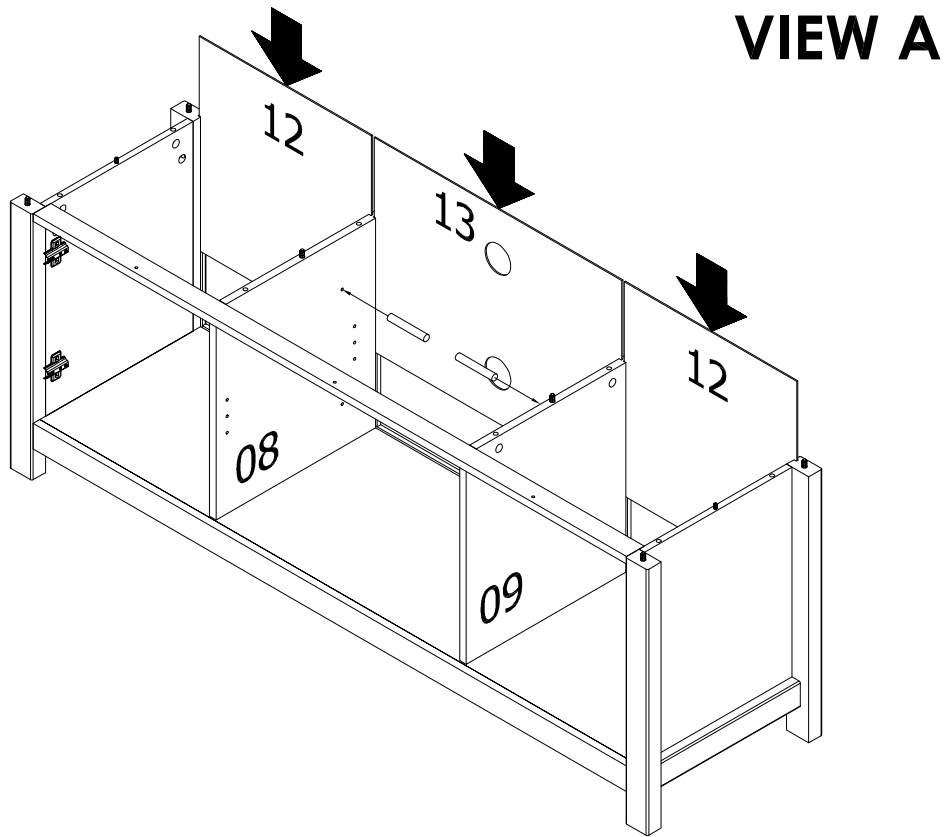


USE OF POWER TOOLS TO ASSEMBLE THIS PRODUCT WILL INVALIDATE ANY CLAIM AND MAY DAMAGE THIS PRODUCT MAKING IT UNSAFE.

STEP 9

Slot panels (12 & 13) to frame.

Then insert the metal pin (W) to panels (8 & 9) as shown.

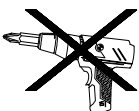
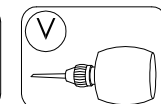
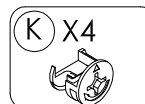
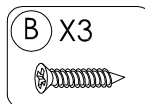
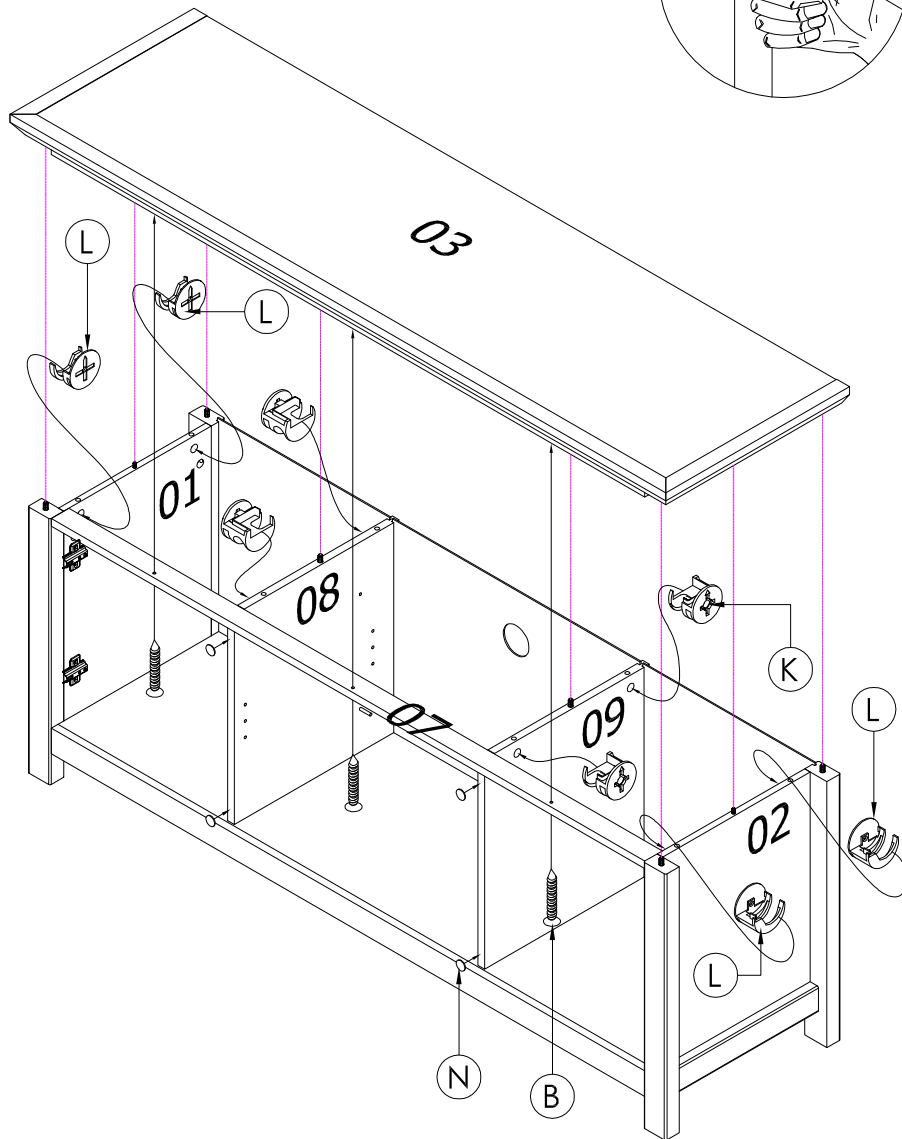
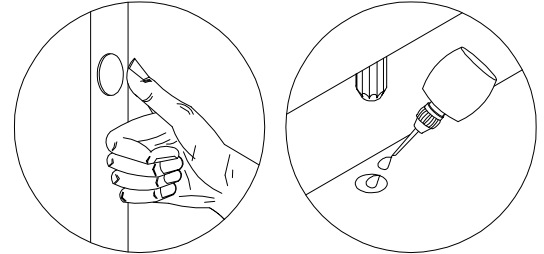
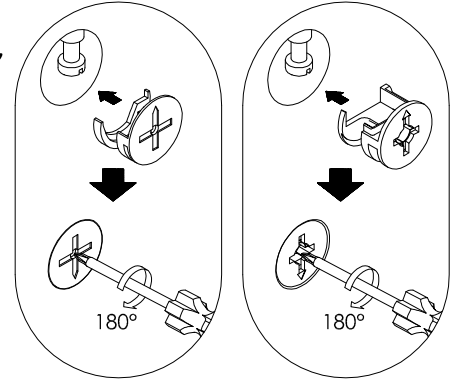


USE OF POWER TOOLS TO ASSEMBLE THIS PRODUCT WILL INVALIDATE ANY CLAIM AND MAY DAMAGE THIS PRODUCT MAKING IT UNSAFE.

STEP 10

Attach top panel (3) to body using glue (V) with CAM LOCK (K) on panels (8 & 9), CAM LOCK (L) on (1 & 2), also with screw (B) to panel (7).

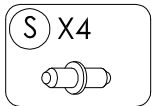
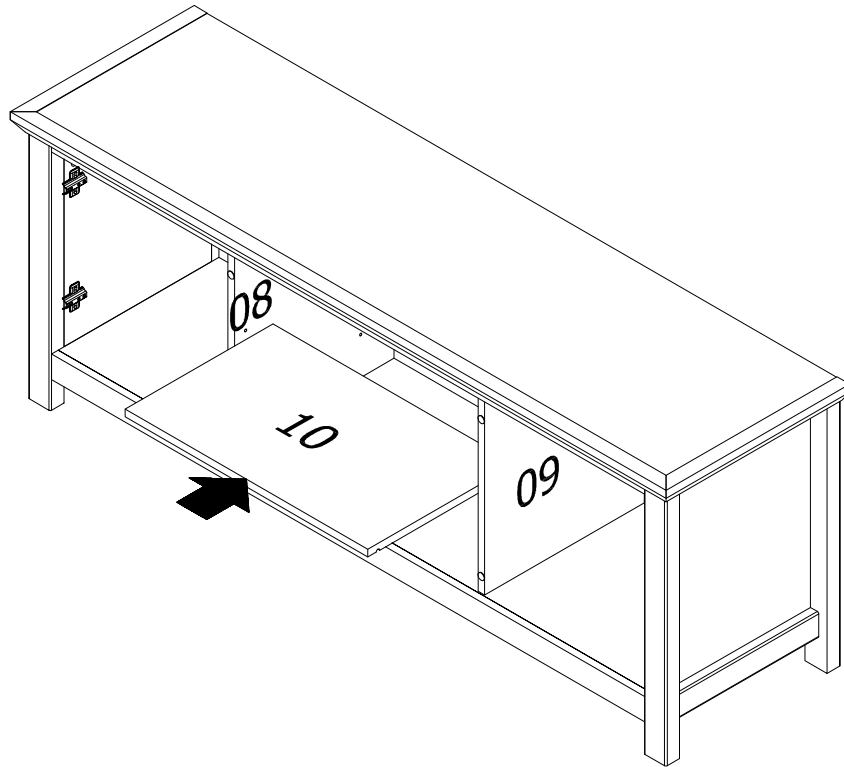
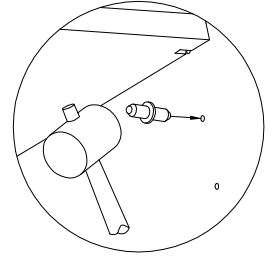
Then attach plastic leveller (N) to front of panels (8 & 9) as shown.



USE OF POWER TOOLS TO ASSEMBLE THIS PRODUCT WILL INVALIDATE ANY CLAIM AND MAY DAMAGE THIS PRODUCT MAKING IT UNSAFE.

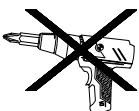
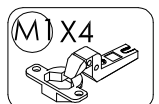
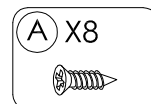
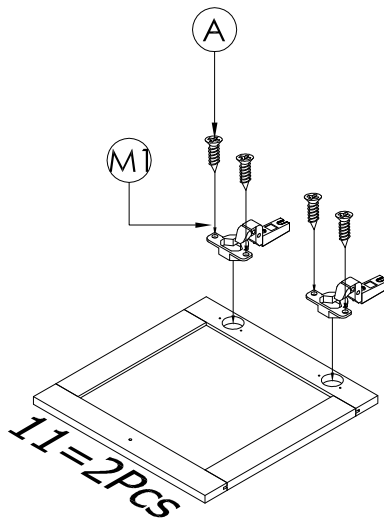
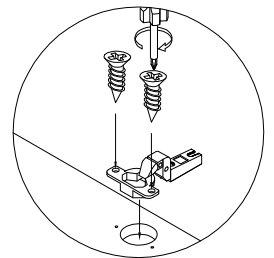
STEP 11

Insert the metal adjustable shelf stud (S) to panel (8 & 9), then slot the shelf panel (10) into the body as shown.



STEP 12

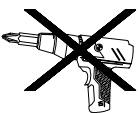
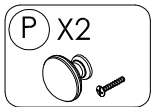
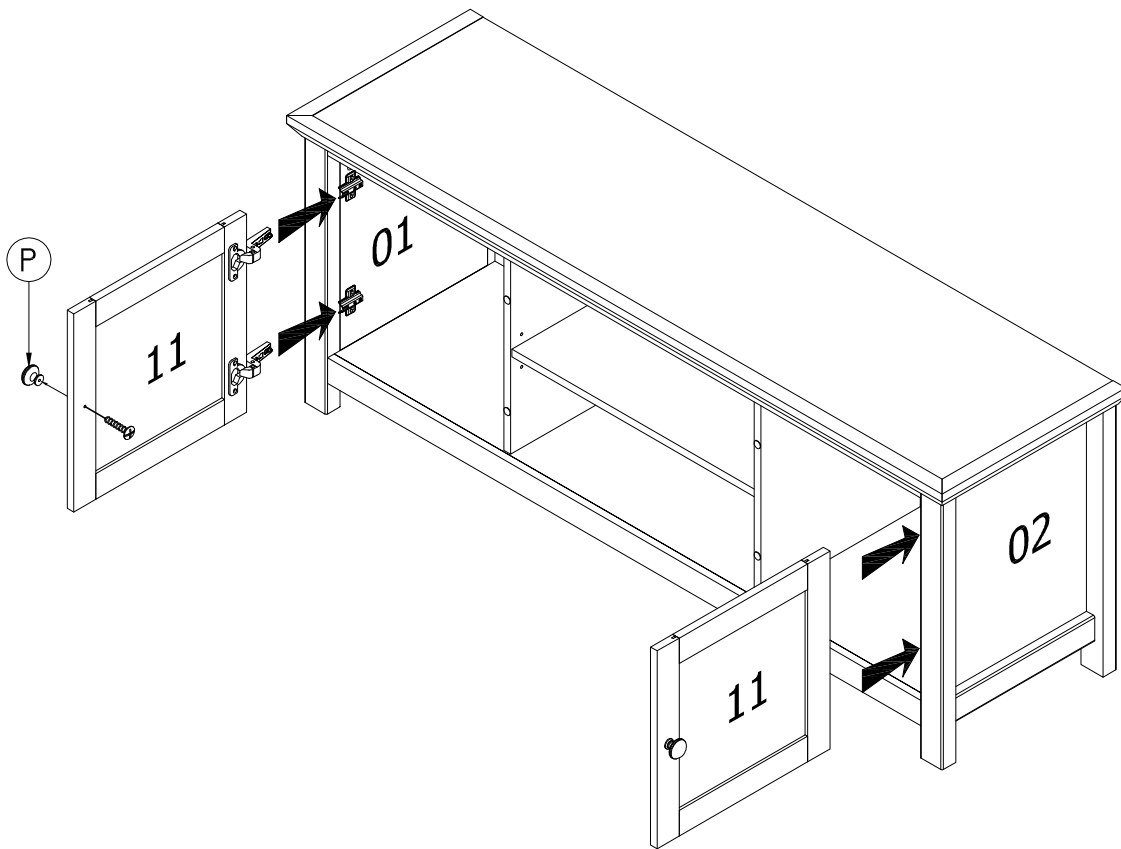
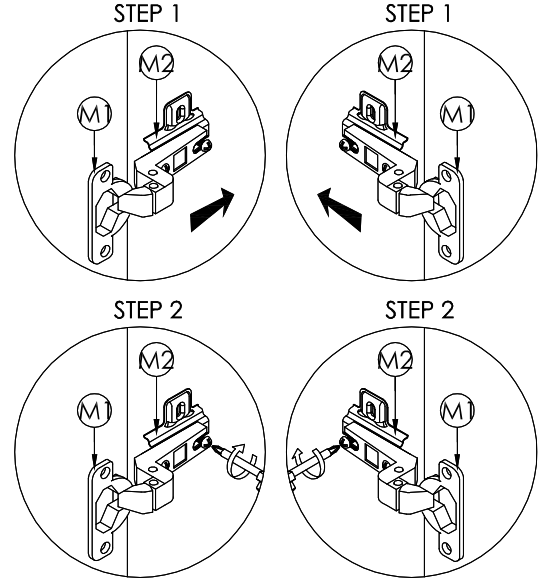
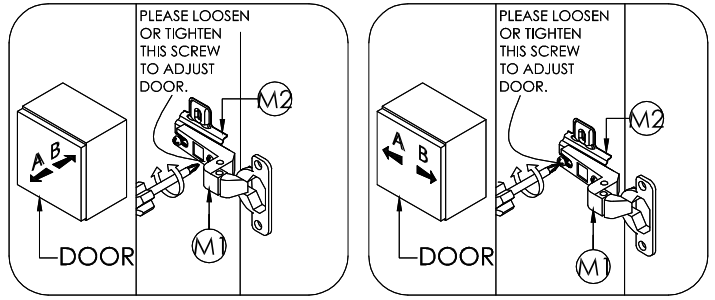
Affix the hinges (M1) with screw (A) and to the door panel (11) as shown.



USE OF POWER TOOLS TO ASSEMBLE THIS PRODUCT WILL INVALIDATE ANY CLAIM AND MAY DAMAGE THIS PRODUCT MAKING IT UNSAFE.

STEP 13

Attach the handle (P) to door panel (11) as shown.
Then attach the door panel (11) to side panel (1 & 2).

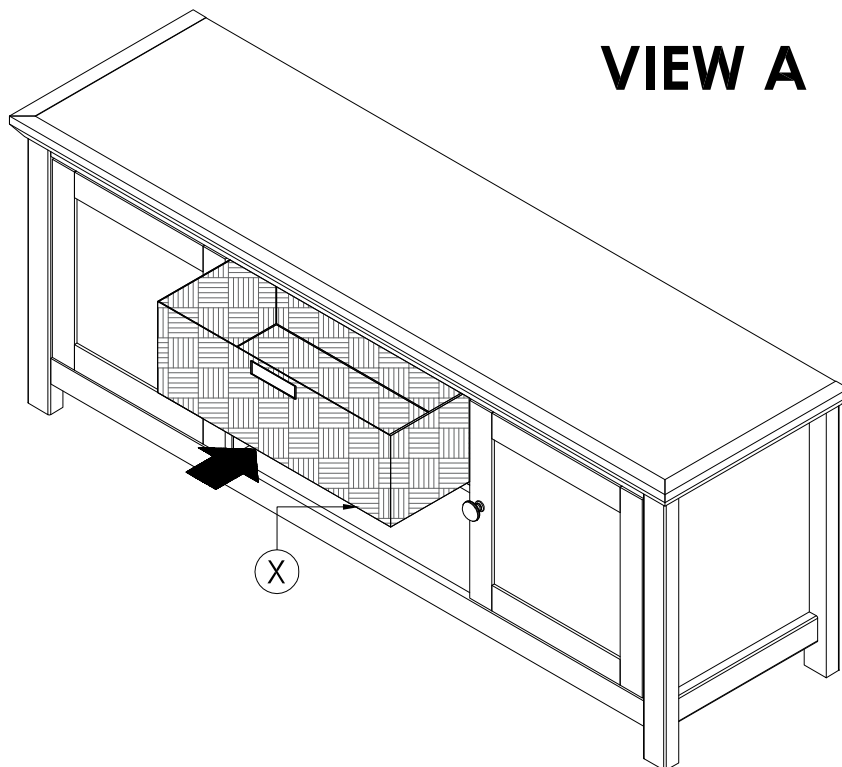


USE OF POWER TOOLS TO ASSEMBLE THIS PRODUCT WILL INVALIDATE ANY CLAIM AND MAY DAMAGE THIS PRODUCT MAKING IT UNSAFE.

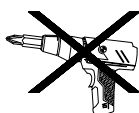
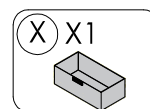
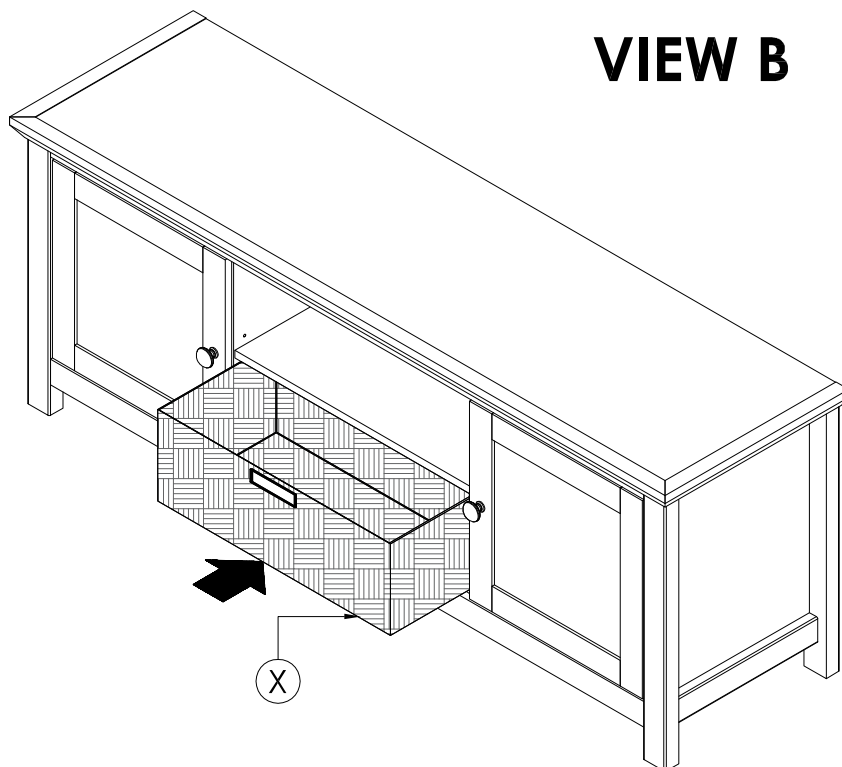
STEP 14

Insert the basket (X) to body.

VIEW A



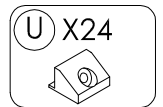
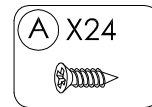
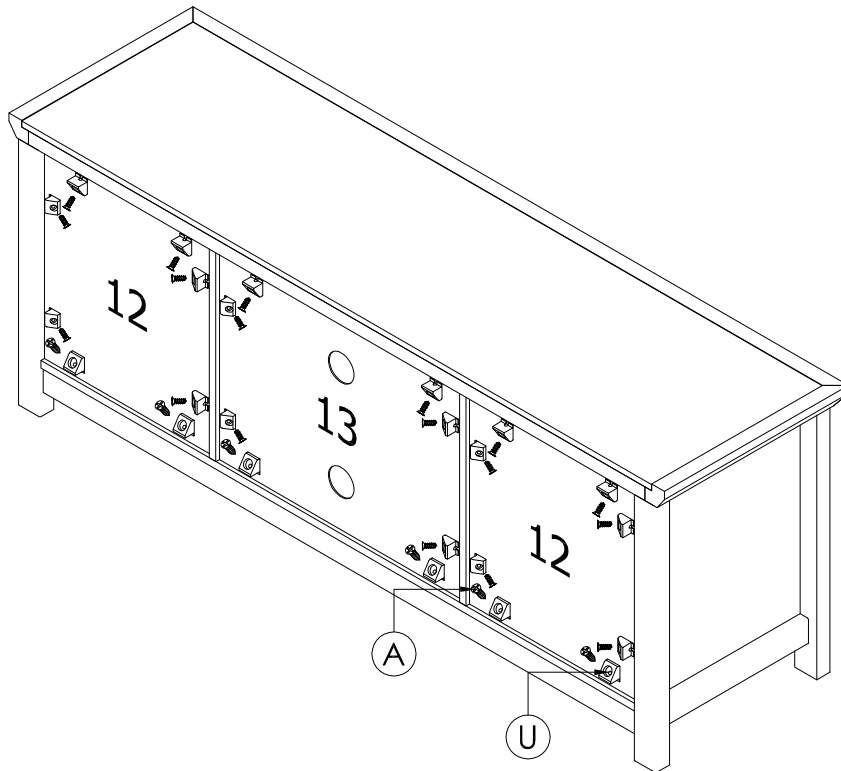
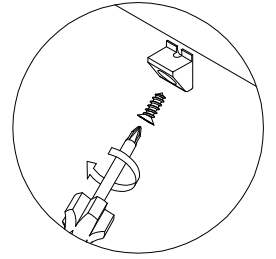
VIEW B



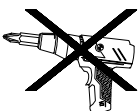
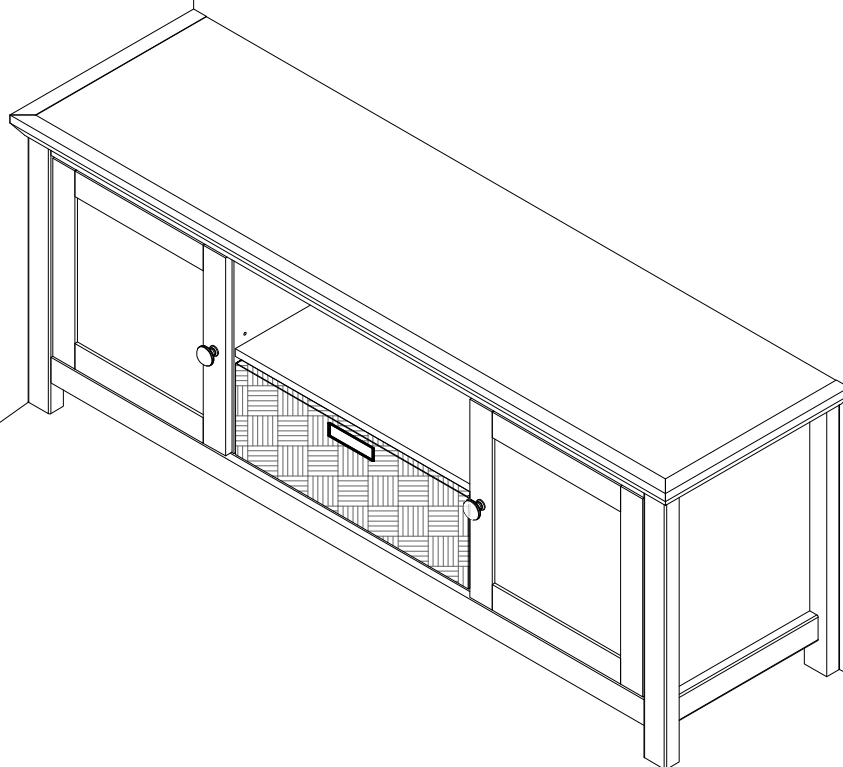
USE OF POWER TOOLS TO ASSEMBLE THIS PRODUCT WILL INVALIDATE ANY CLAIM AND MAY DAMAGE THIS PRODUCT MAKING IT UNSAFE.

STEP 15

Attach the backply stoppers (U) to back panels (12 & 13) using 15mm screw (A).



ASSEMBLY IS COMPLETE



USE OF POWER TOOLS TO ASSEMBLE THIS PRODUCT WILL INVALIDATE ANY CLAIM AND MAY DAMAGE THIS PRODUCT MAKING IT UNSAFE.