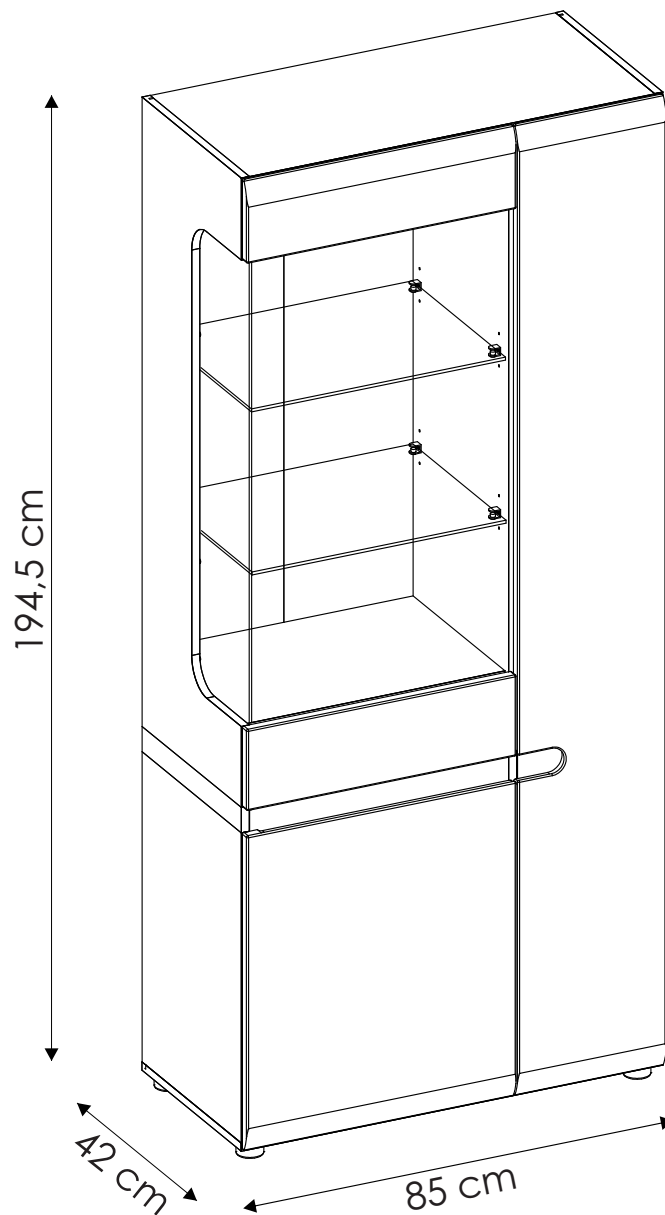


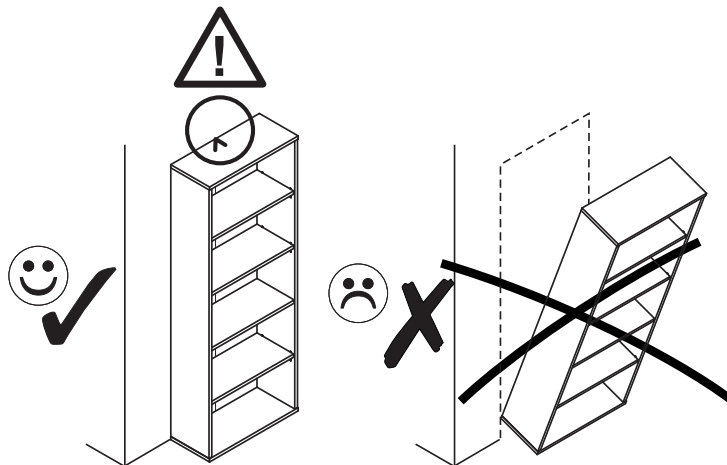
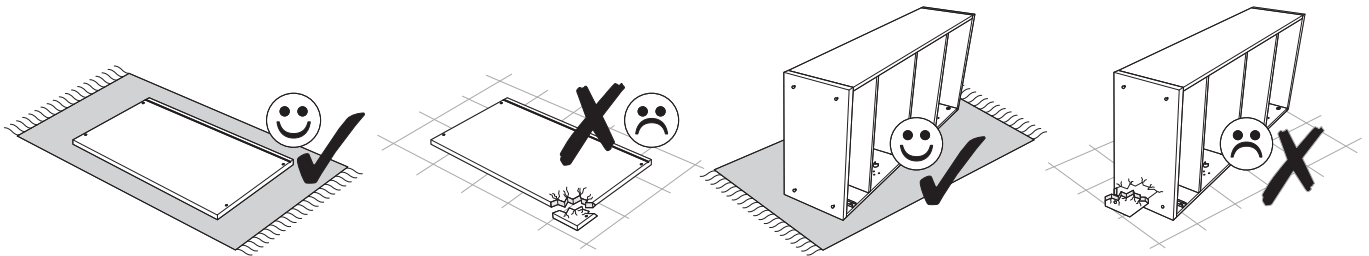
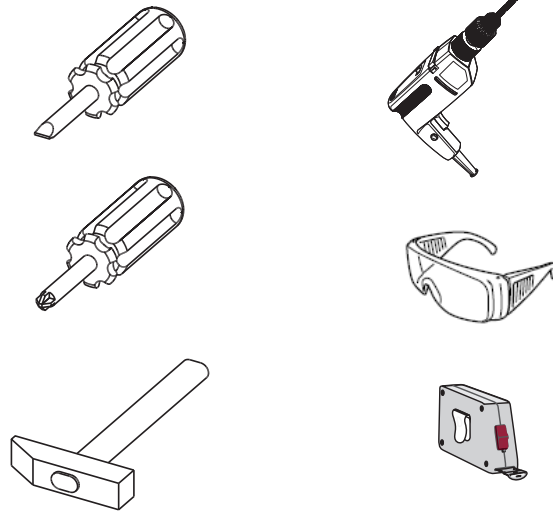
CHELSEA

Tall glazed wide display unit RH display

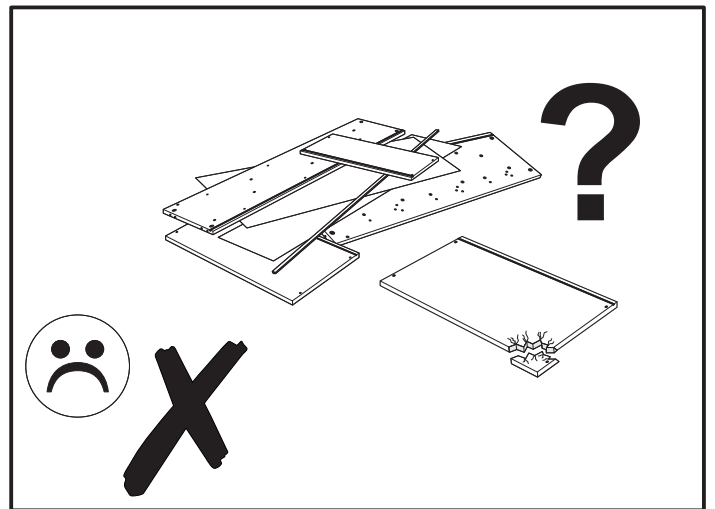
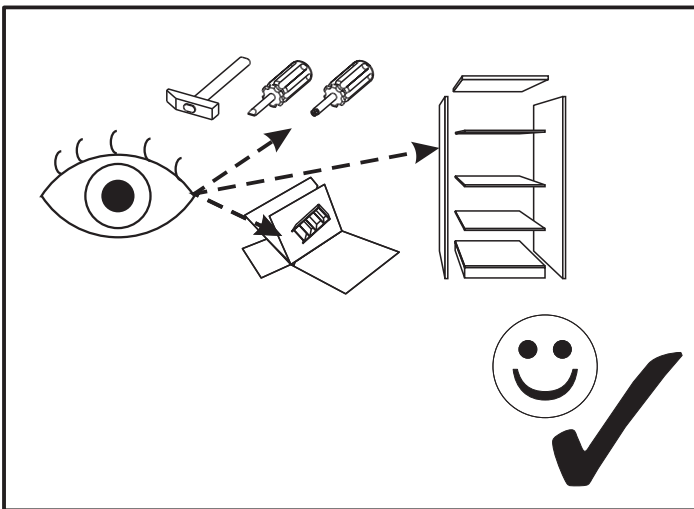
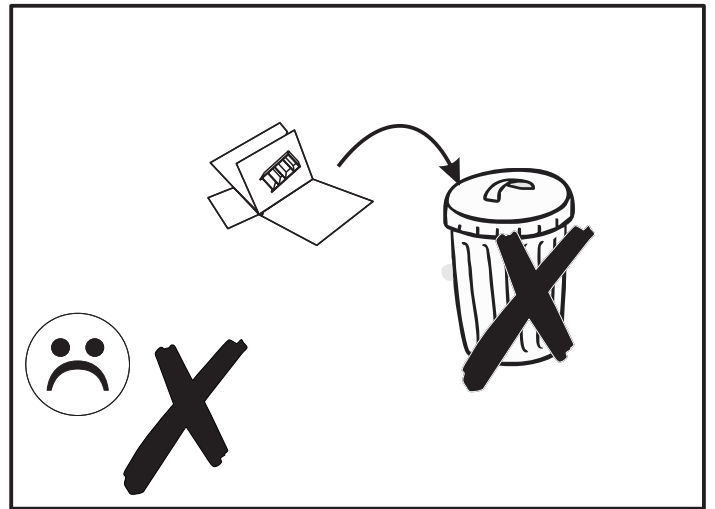
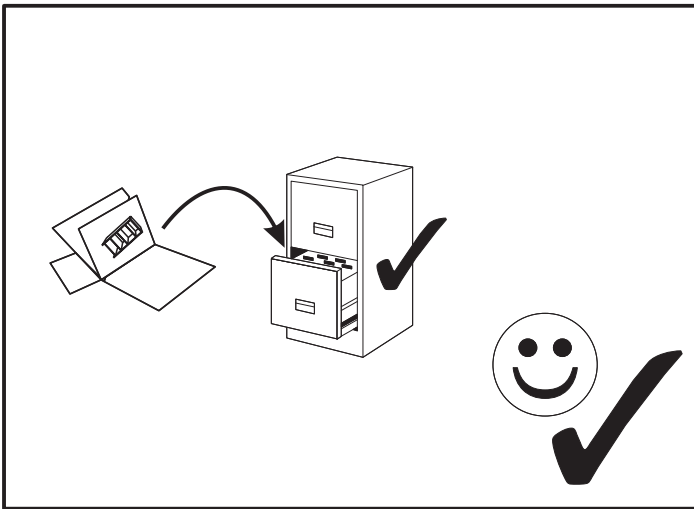
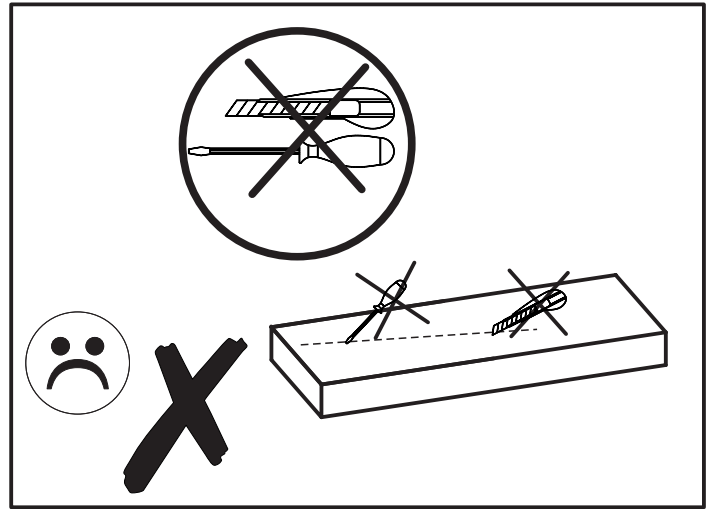
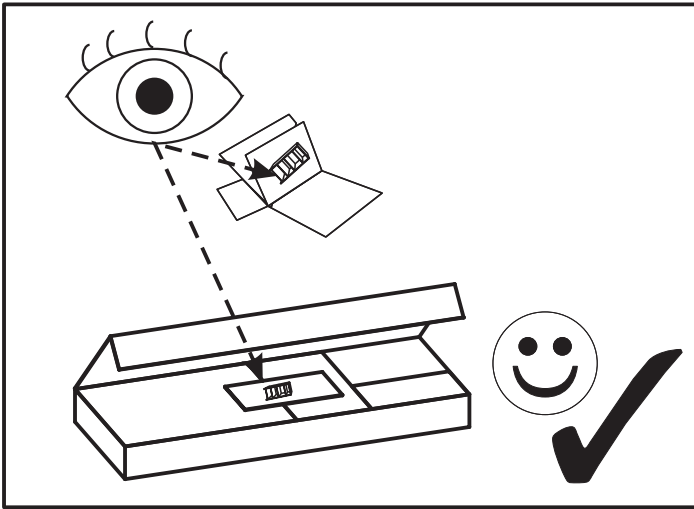
4020544P (4020644P LH display inverted)

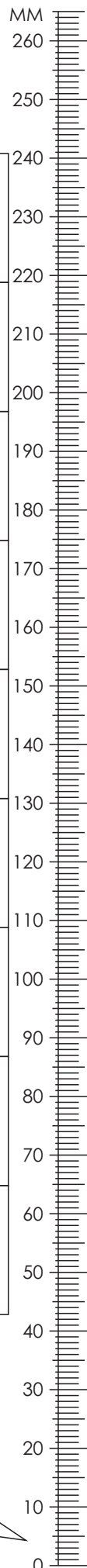



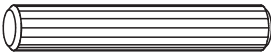
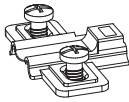
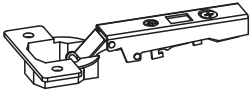


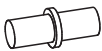
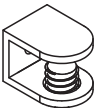
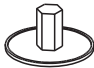
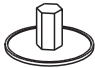

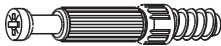
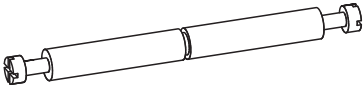






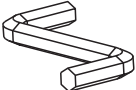

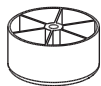

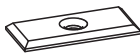


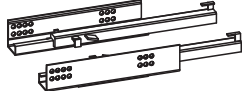
Please, read the assembly instruction carefully, before assembling.

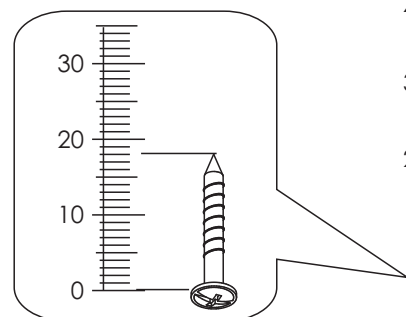


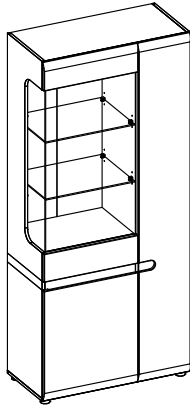
WARNING! To prevent this furniture from tripping over, fix it to the wall permanently. Fixing devices are not included since different wall materials require different types of fixing devices. Please make sure you chose the correct ones for your type of wall.



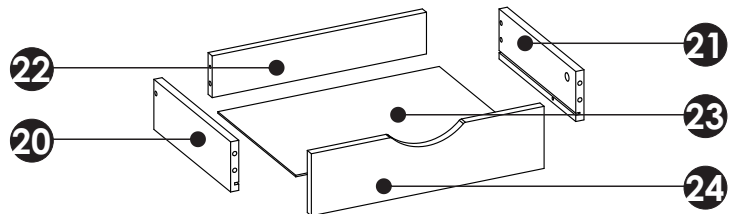
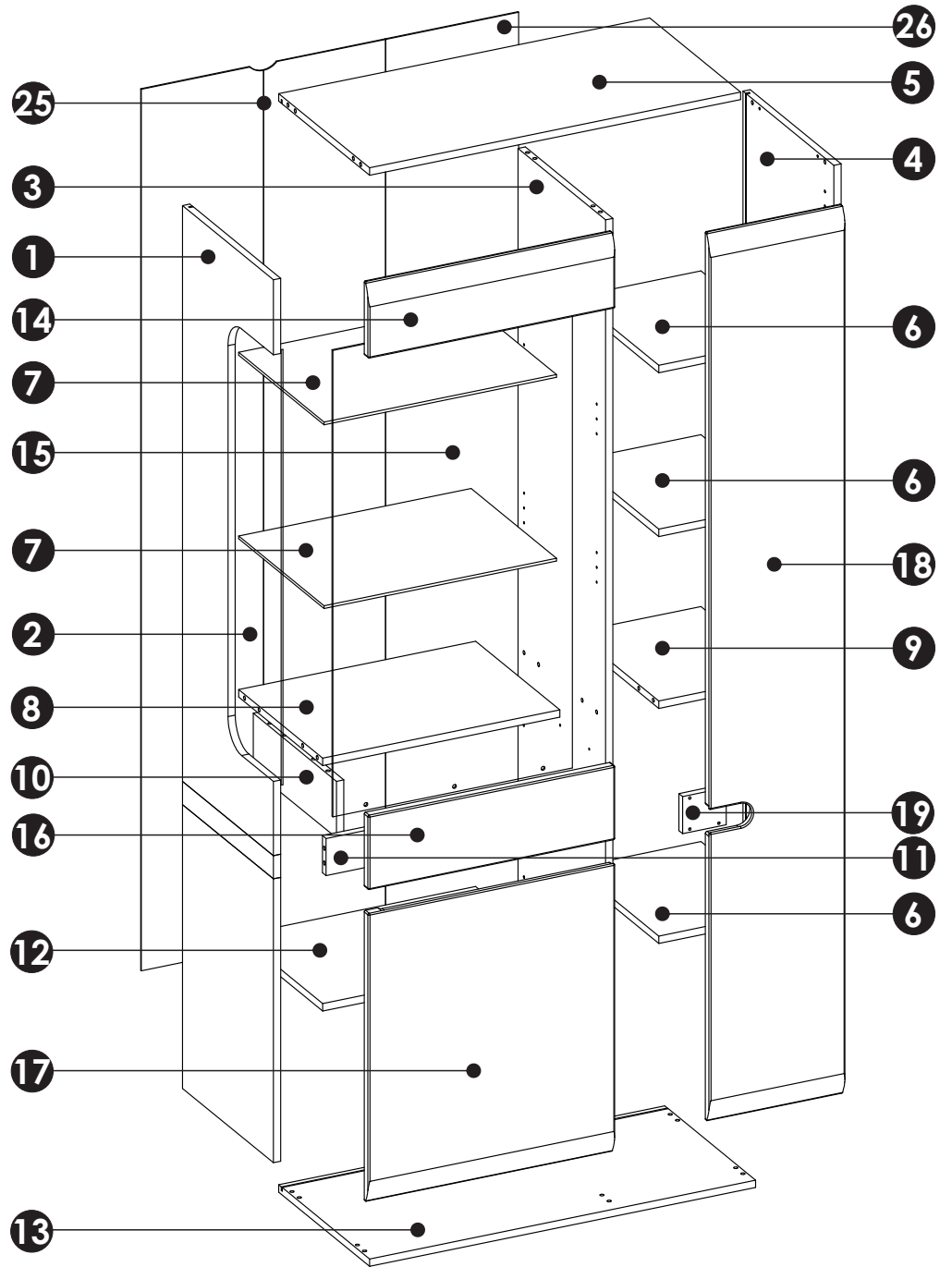


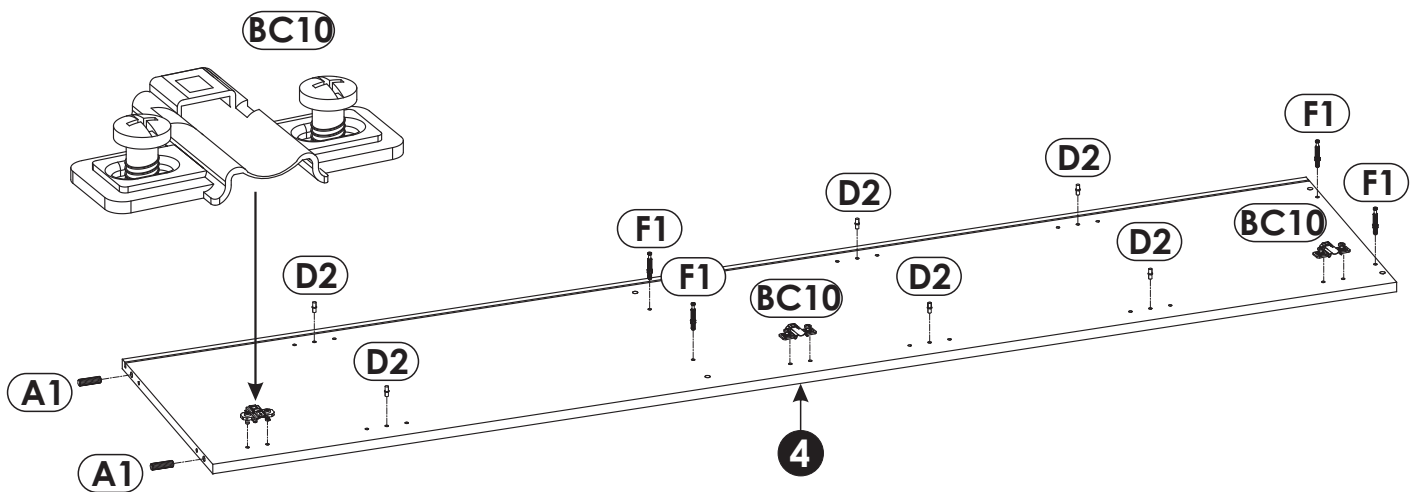
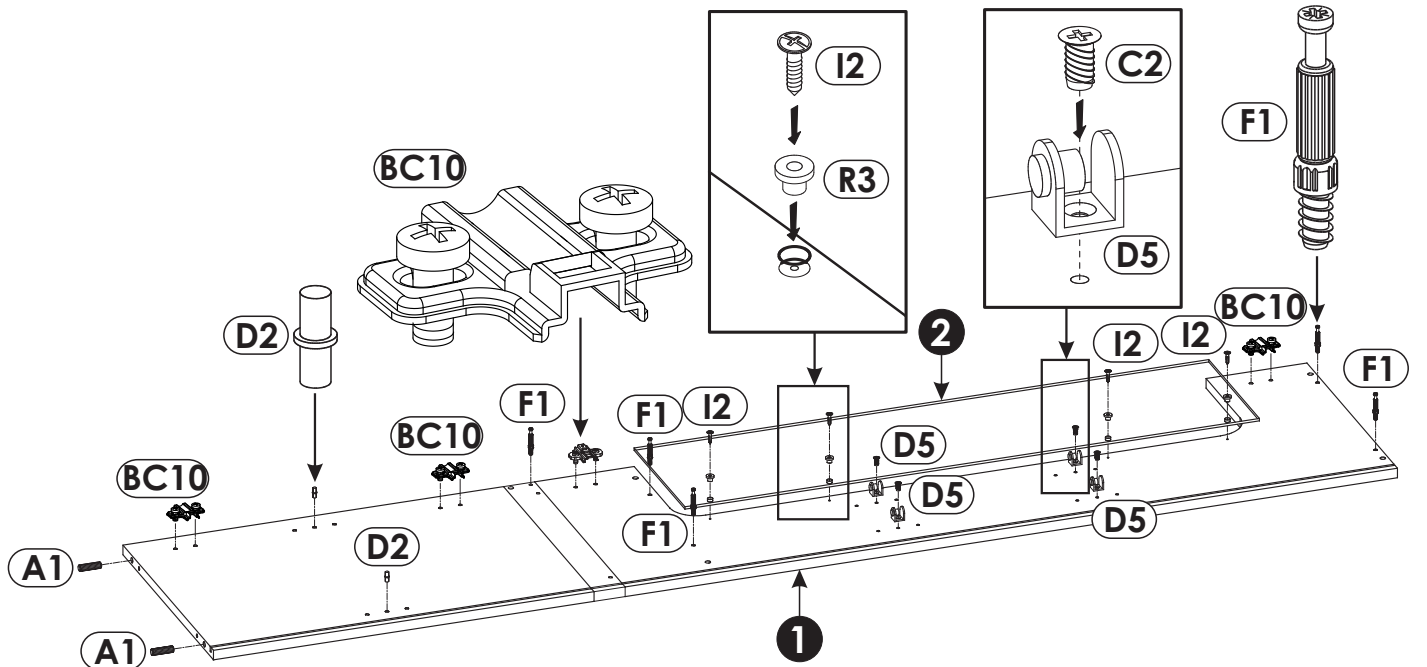
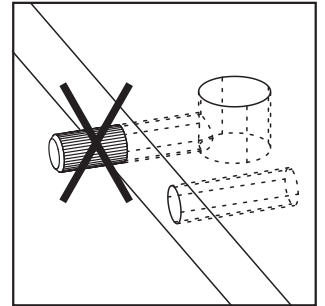
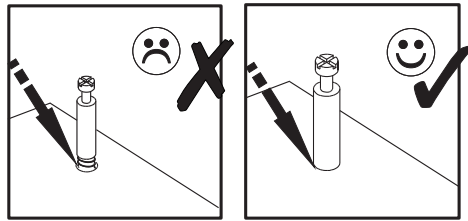
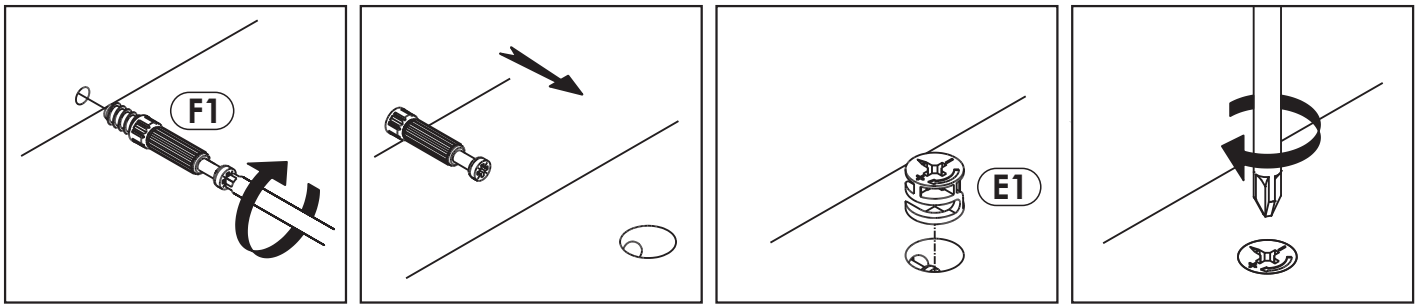
<p>A1 x24 $\phi 8 \times 35$ mm</p> 	<p>A3 x2 $\phi 8 \times 60$ mm</p> 	<p>BC10 x7</p> 
<p>BC11 x7</p> 	<p>C1 x14 4 x 13 mm</p> 	<p>C2 x12 5 x 13 mm</p> 
<p>D2 x16</p> 	<p>D5 x8</p> 	<p>E0a x4</p> 
<p>E0b x16</p> 	<p>E1 x20</p> 	<p>F1 x16</p> 
<p>F4 x2 $\phi 7 \times 76$ mm</p> 	<p>G0a x6</p> 	<p>G0b x2</p> 
<p>G1 x8 $\phi 7 \times 50$ mm</p> 	<p>I2 x11 4 x 16 mm</p> 	<p>I10 x5 3,5 x 22 mm</p> 
<p>J6 x4 4 x 30 mm</p> 	<p>M x1</p> 	<p>N1 x20 3 x 16 mm</p> 
<p>O15 x5 $\phi 50 \times 25$ mm</p> 	<p>Q9 x1</p> 	<p>R1 x12</p> 
<p>R3 x10</p> 	<p>R4 x12</p> 	<p>T10 x1</p> 



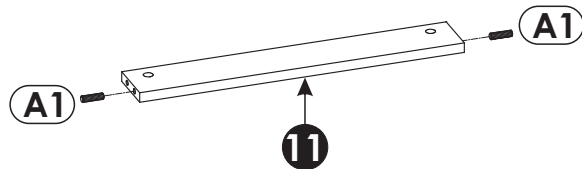
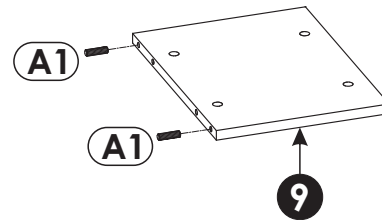
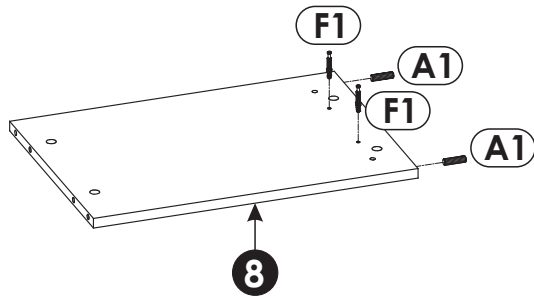
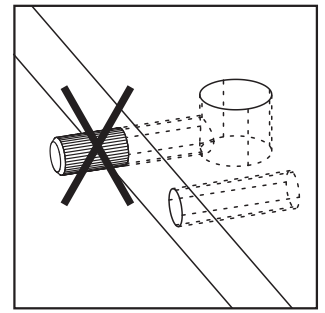
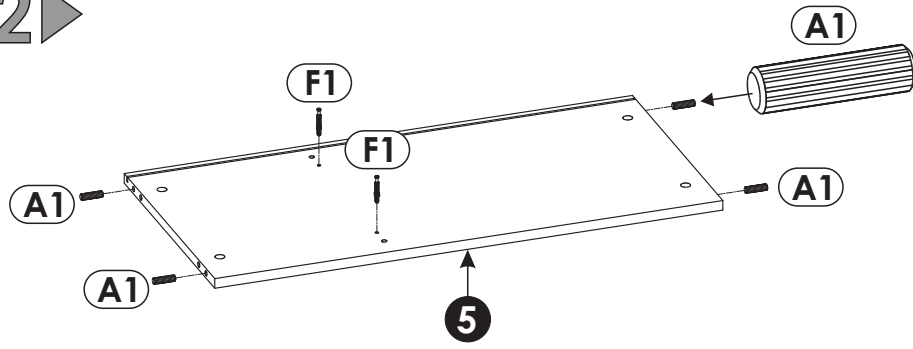


1	1904	400	16	x1	3/3
2	924	224	4	x1	1/3
3	1887	385	16	x1	3/3
4	1904	400	16	x1	3/3
5	817	400	16	x1	1/3
6	278	370	16	x3	2/3
7	512	376	6	x2	2/3
8	522	370	16	x1	2/3
9	278	370	16	x1	2/3
10	122	367	16	x1	1/3
11	522	80	16	x1	1/3
12	522	370	16	x1	2/3
13	850	400	16	x1	1/3
14	543	157	19	x1	1/3
15	990	519	4	x1	1/3
16	543	157	19	x1	1/3
17	543	626	19	x1	1/3
18	299	1916	19	x1	3/3
19	96	80	16	x1	1/3
20	300	96	16	x1	1/3
21	300	96	16	x1	1/3
22	419	80	16	x1	1/3
23	433	305	3	x1	2/3
24	455	119	16	x1	1/3
25	1901	538	3	x1	3/3
26	1901	293	3	x1	3/3

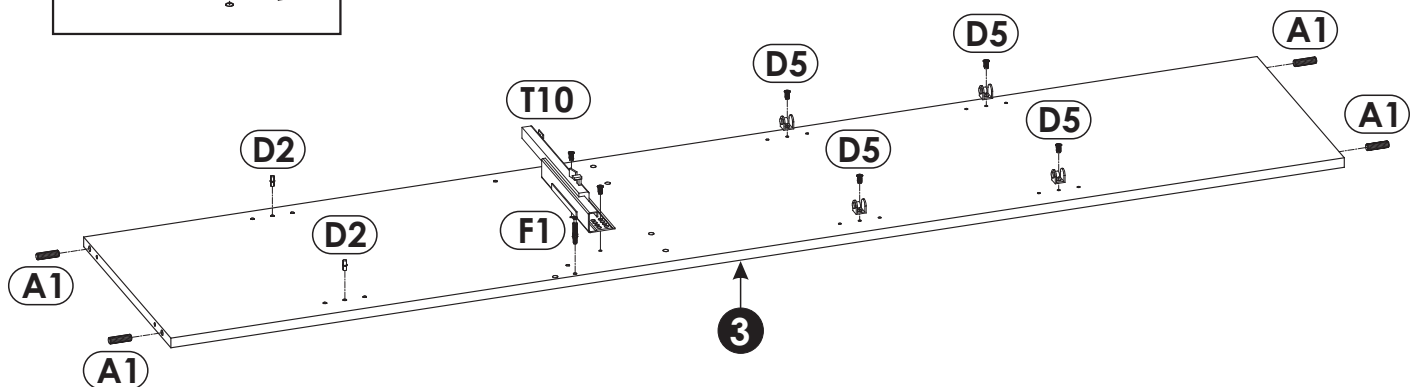
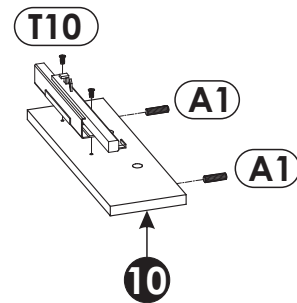
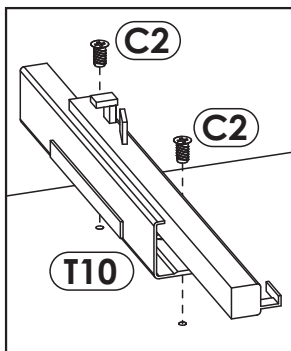
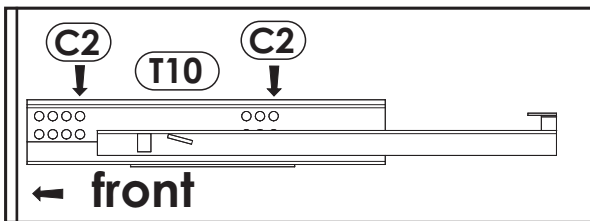




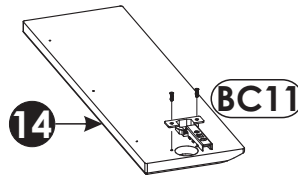
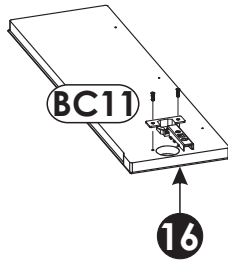
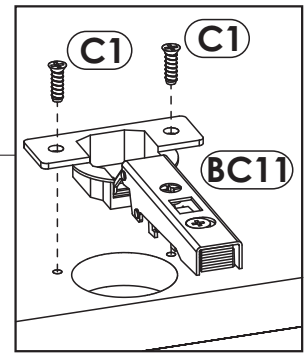
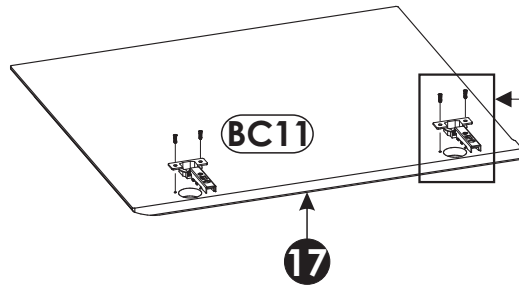
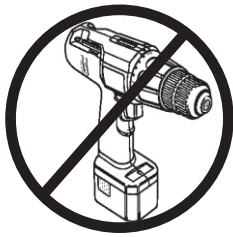
2 ▶



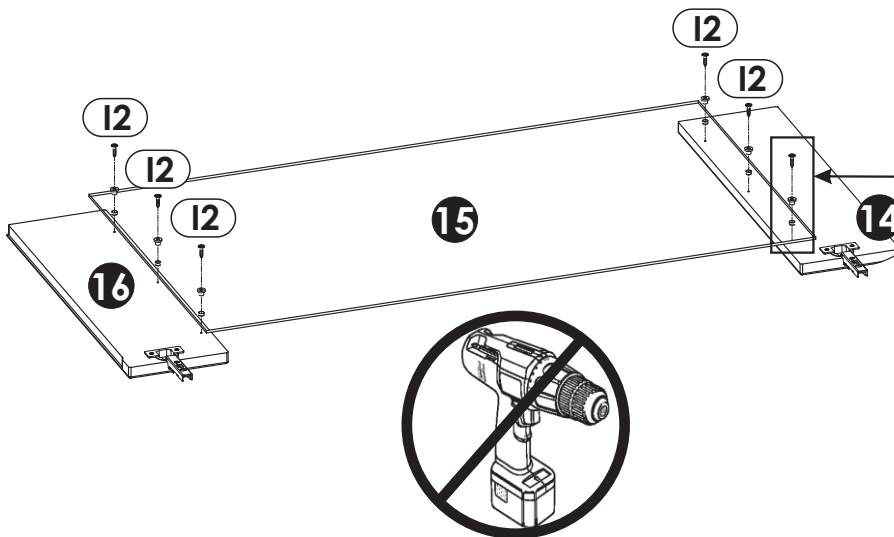
3 ▶



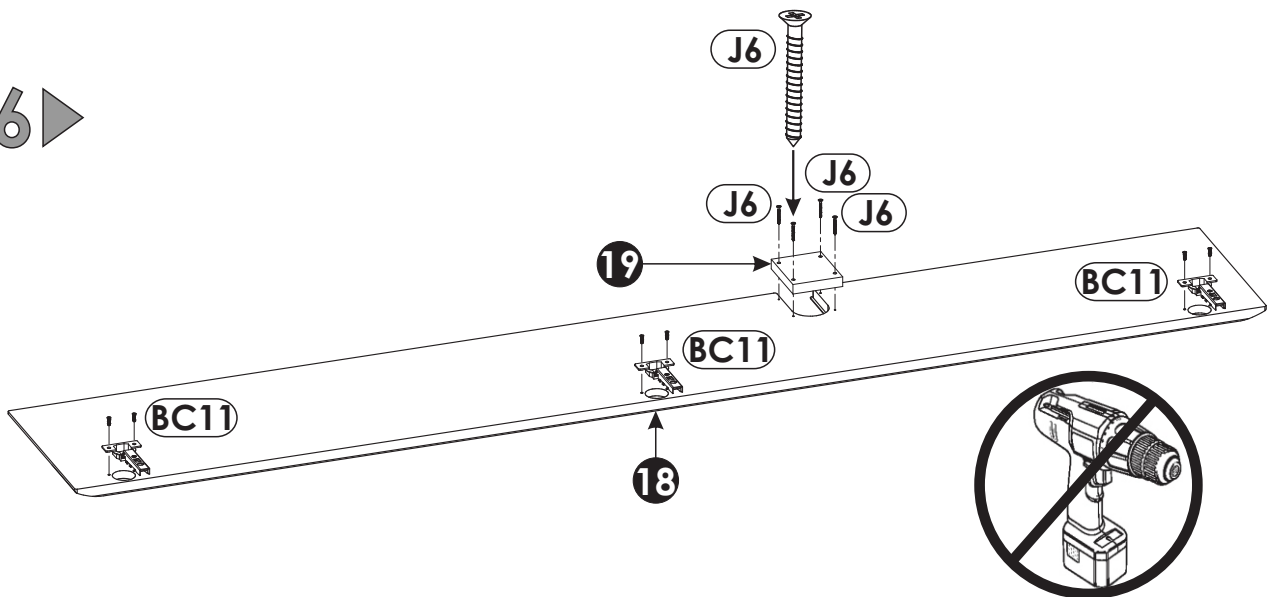
4 ▶



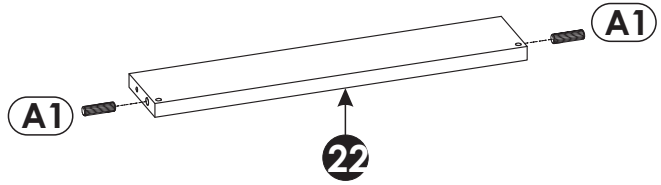
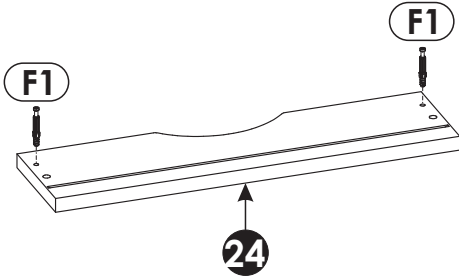
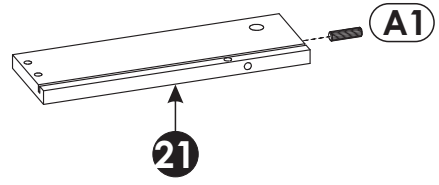
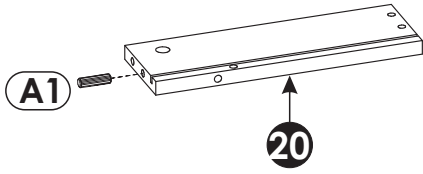
5 ▶



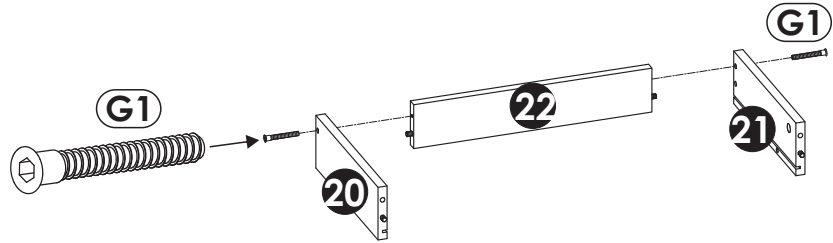
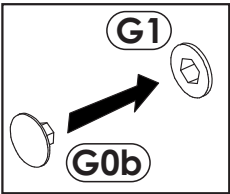
6 ▶



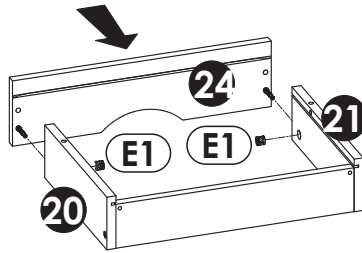
7 ▶



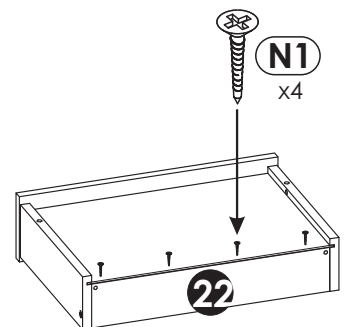
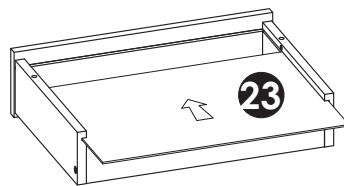
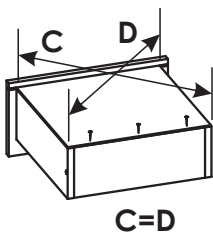
8 ▶



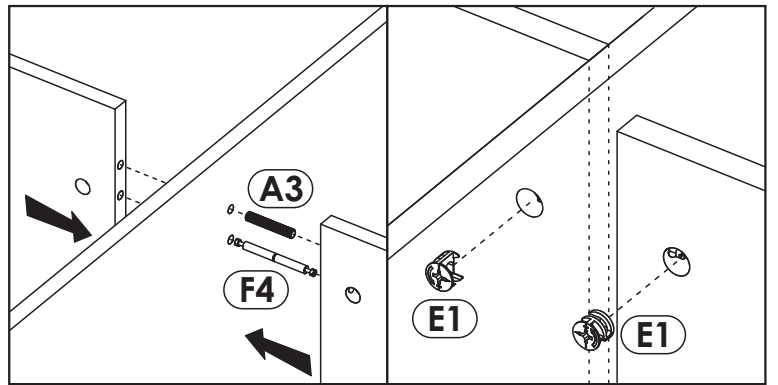
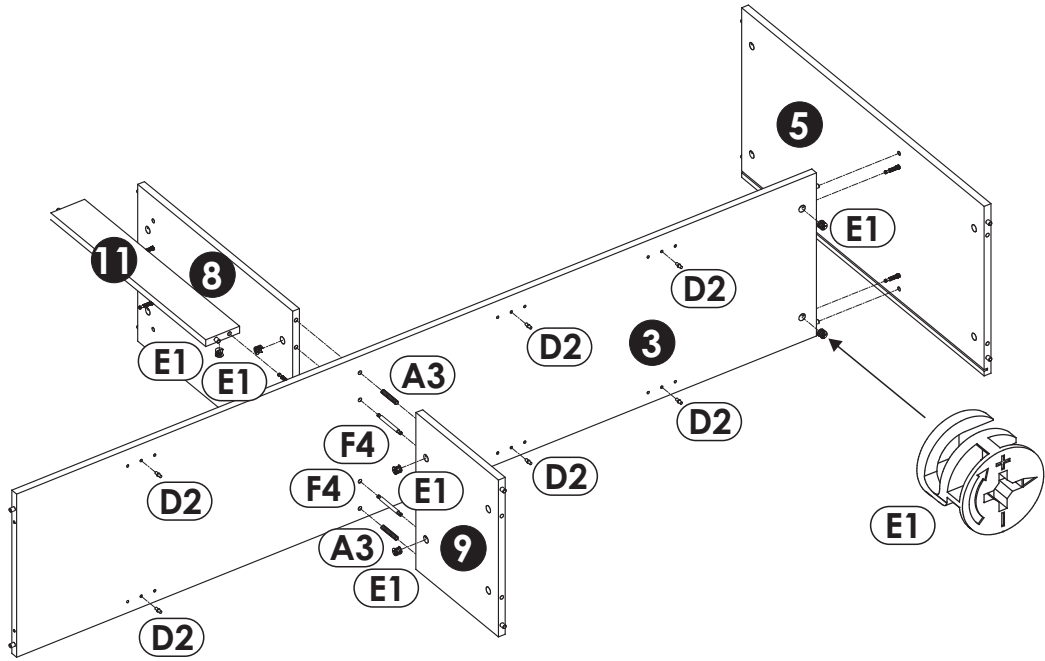
9 ▶



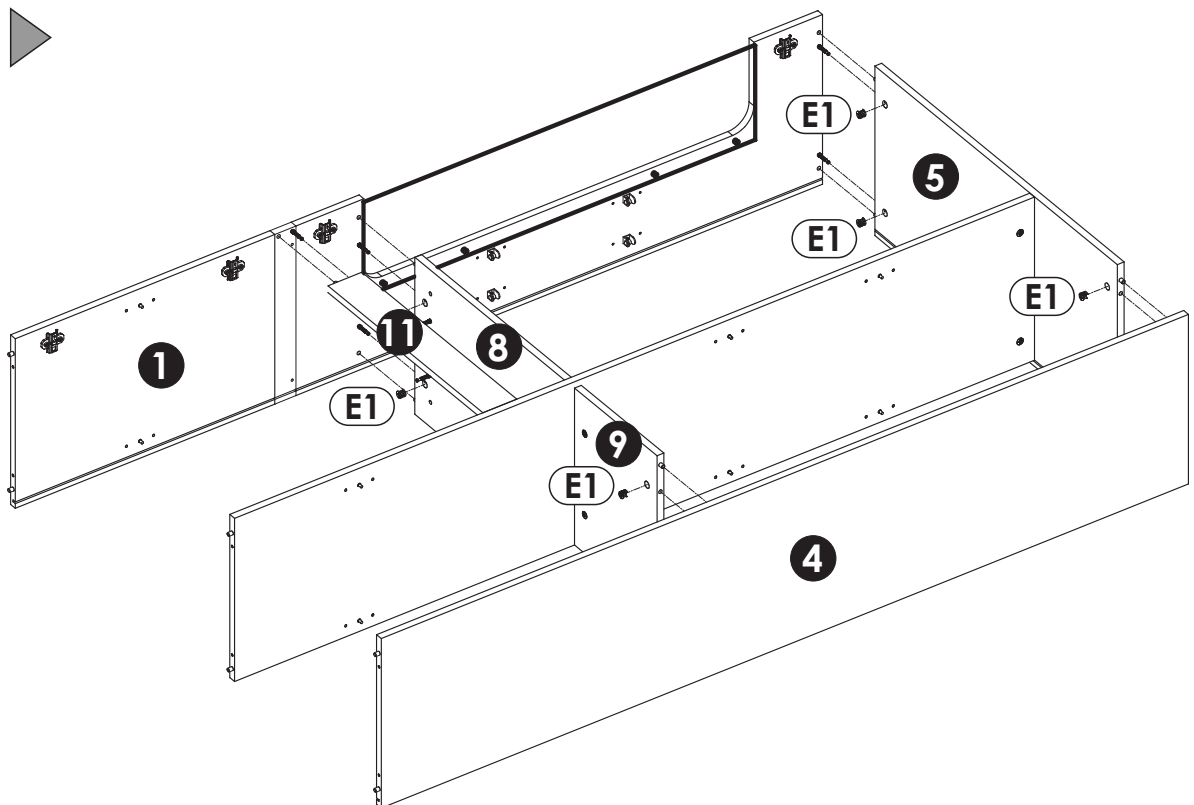
10 ▶



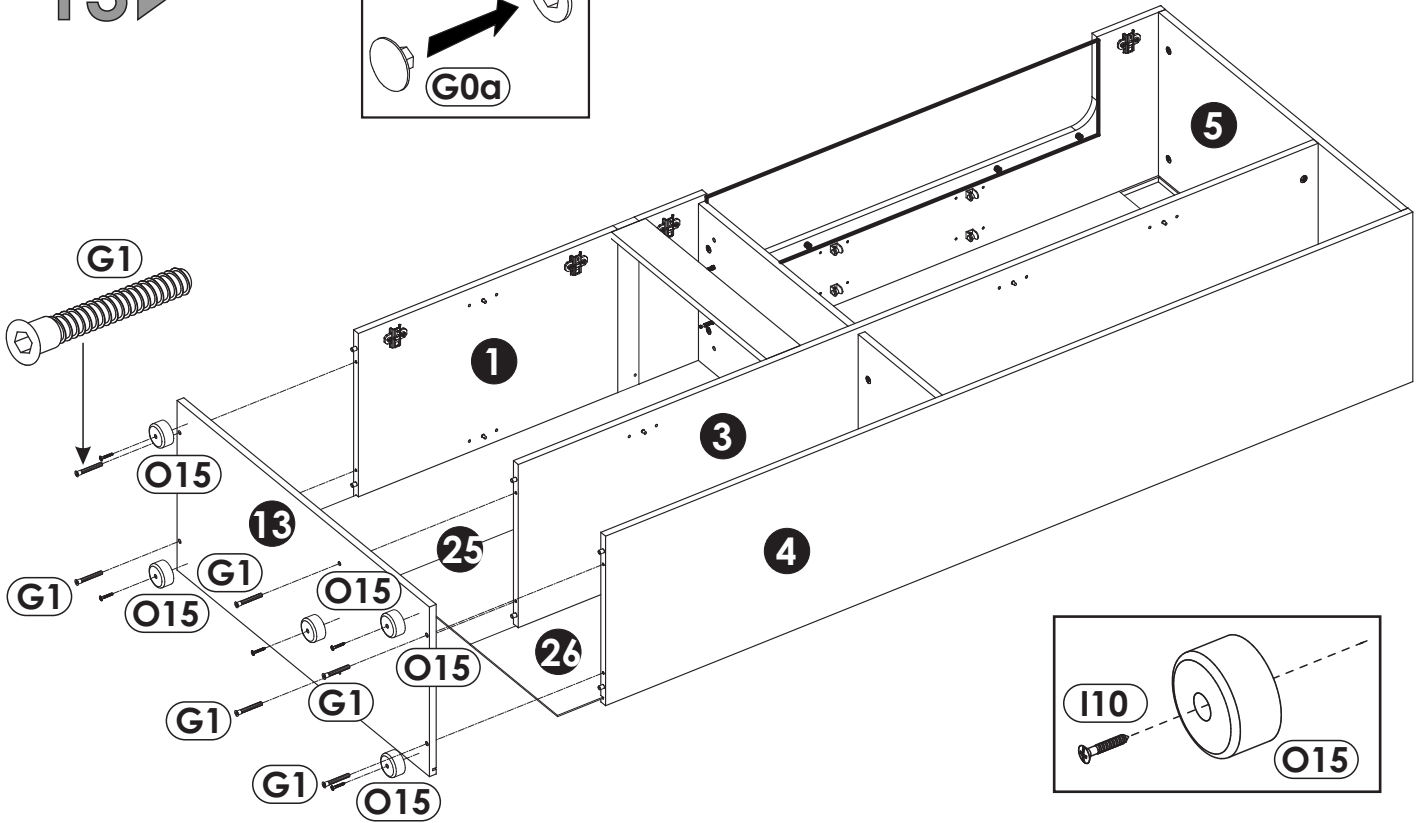
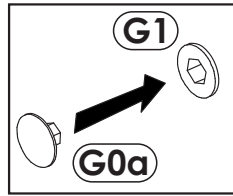
11 ▶



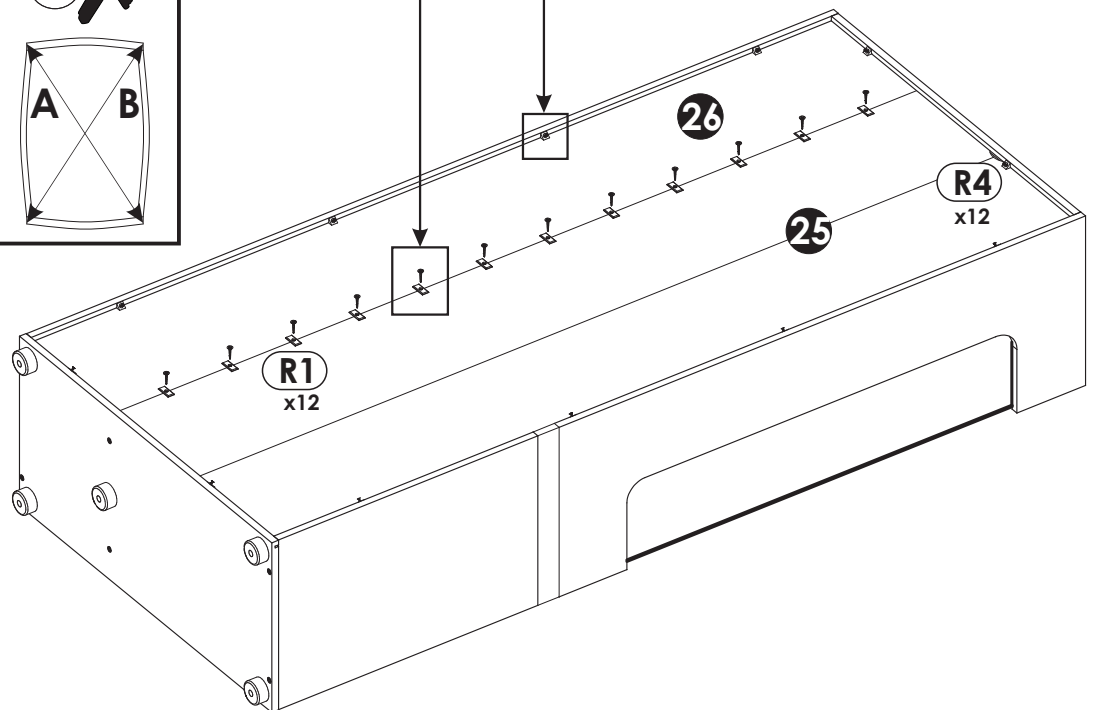
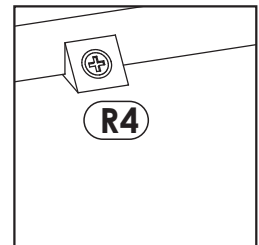
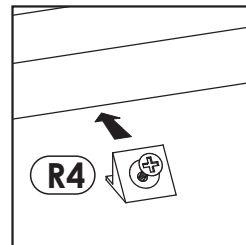
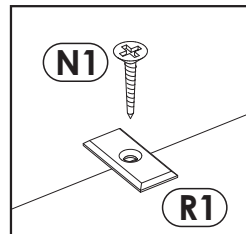
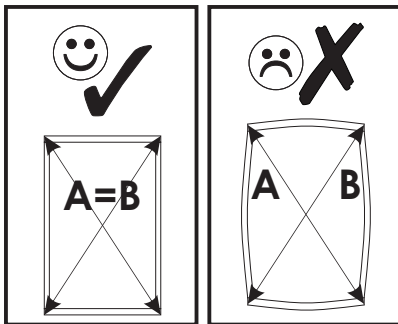
12 ▶



13▶



14▶



15 ▶

