



## ASSEMBLY INSTRUCTIONS URBAN 2 DOOR WARDROBE

**IMPORTANT : READ THESE INSTRUCTIONS CAREFULLY BEFORE ATTEMPTING TO ASSEMBLE OR USE YOUR URBAN 2 DOOR WARDROBE.**

**PLEASE KEEP THESE INSTRUCTIONS FOR FUTURE REFERENCE.**

### **ASSEMBLY:**

Assembly should be carried out with this item laying flat, not standing upright.

Assemble on a soft, clean surface to prevent damages.

To erase the numbers printed on the pieces, use the rubber into the accessories pack.

### **HEALTH & SAFETY:**

**DO NOT** use this wardrobe if any parts are missing, damaged or worn.

**DO NOT** use this wardrobe unless all fixings are secured.

Always use on a level, even surface.

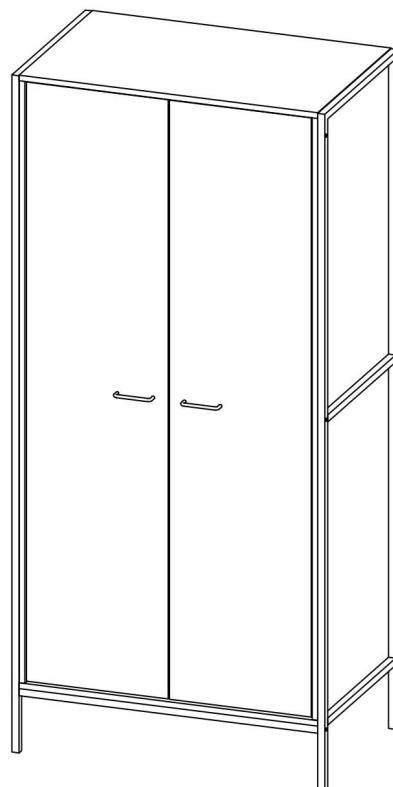
### **CARE & MAINTENANCE:**

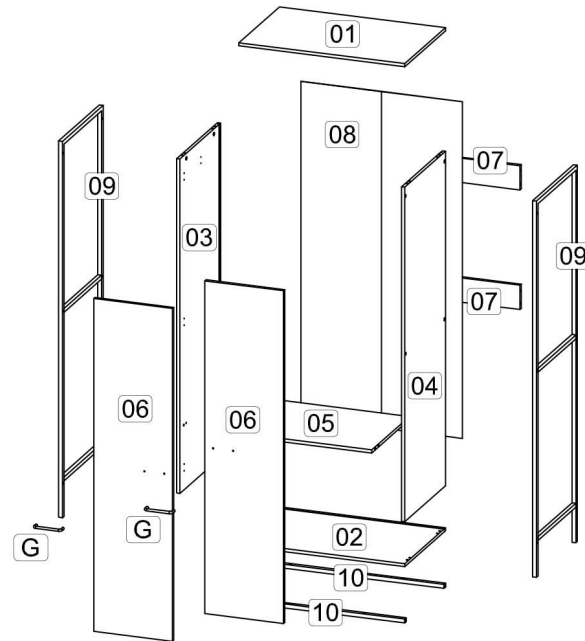
Periodically check all screws & fixings to ensure they are secure.





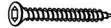







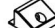







**DO NOT** push the wardrobe as this will cause damage.

Always lift the wardrobe with two people to repositions.

Keep any sharp objects away from the wardrobe.

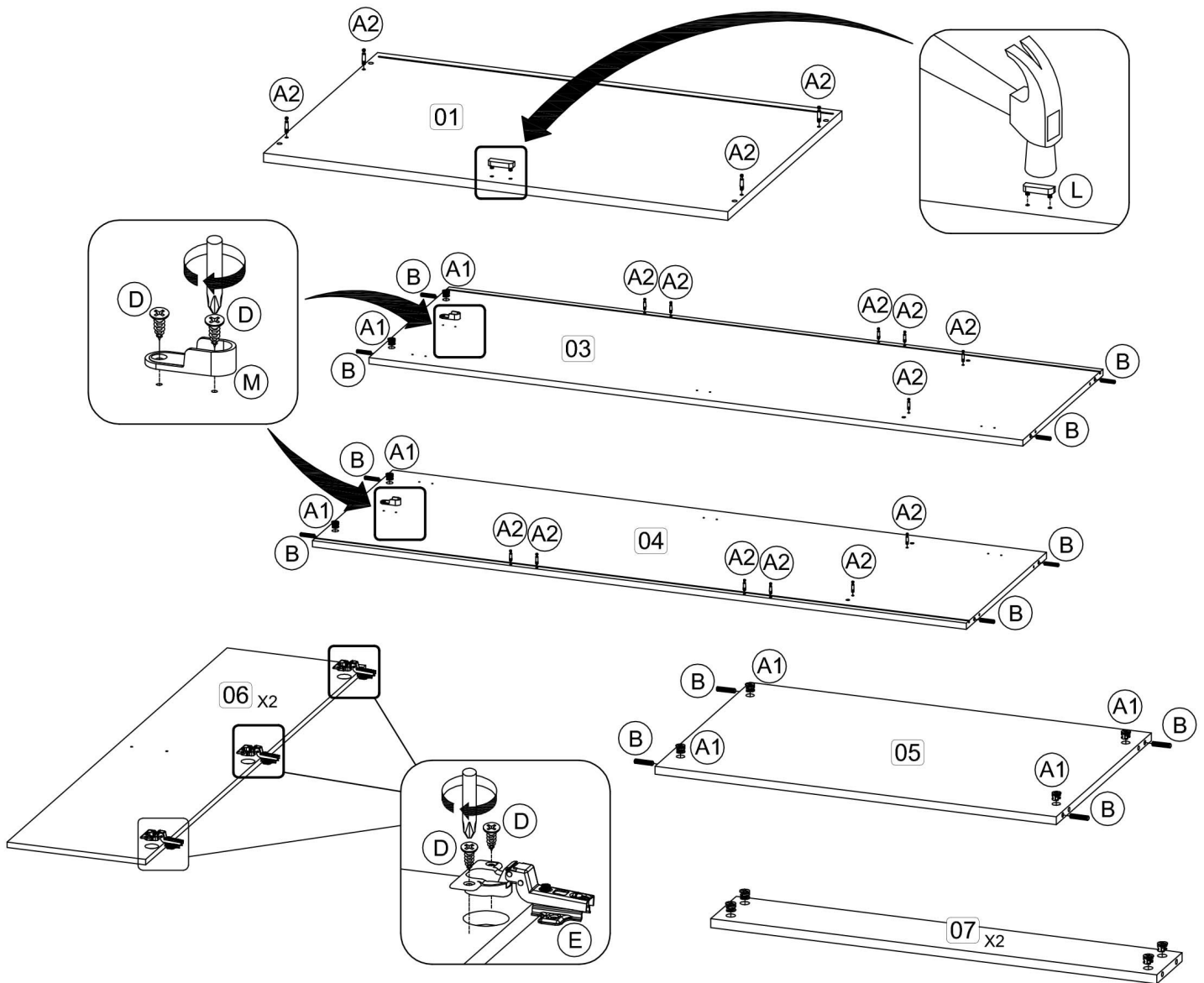




Parts List			Hardware List			
Part	Description	Qty	Part	Description		Qty
01	Top panel	1	A1	Cam lock		16
02	Bottom panel	1	A2	Minifix screw		16
03	Side panel ( Left )	1	A3	Plastic cap		16
04	Side panel ( Right )	1	B	M8 x 30mm Wood Dowel		12
05	Middle panel	1	C	M6 x 50mm CSK Cap Wood screw		4
06	Door panel ( Left & Right )	2	D	M3.5 x 16mm C.B Screw		26
07	Back bone	2	E	7/8 Hinges		6
08	Back panel	1	F	Allen key M4		1
09	Metal Side ( Left & Right )	2	G	Handle 100.96. BLM		2
10	Metal middle	2	H	Handle screw M4 x 19mm		4
<b>** You will need a small mallet and a screwdriver for assembly.  ** Some screws and wooden dowel may remain.</b>			I	JCBC screw M6 x 30mm		14
			J	JCBC screw M6 x 40mm		4
			K1	Stud 192		8
			K2	Stud 192 screw		8
			L	Drawer stopper ( 2 Pin )		1
			M	433 Oval tube bracket		2
			N	433 Oval paip		1
			O	8" x 1" PP tape		2
			P	Wall plug		2
			Q	M4 x 38mm C.B Screw		2

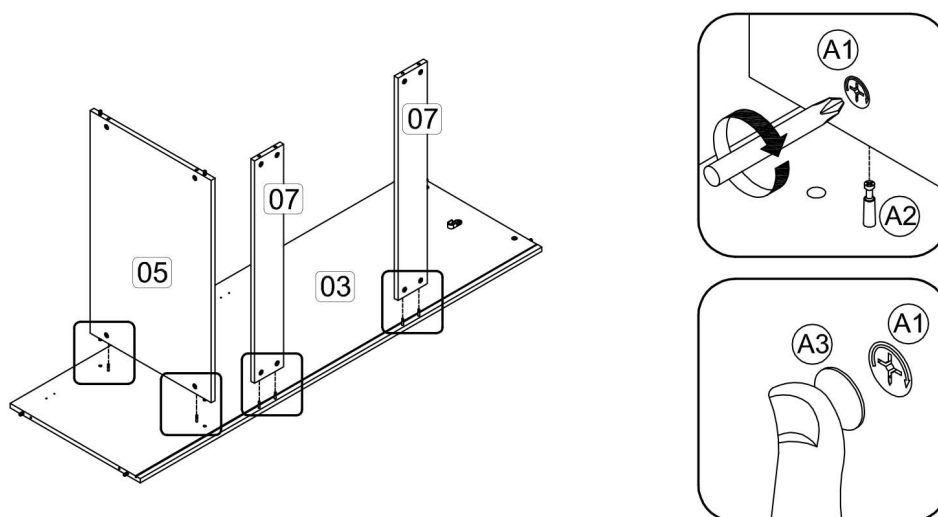
**Step 1:** Prepare these parts for assembly using hardware parts A1, A2, B, D, E, L and M.

**DO NOT use any power tools as this may damage the frame and will invalidate any claim.**



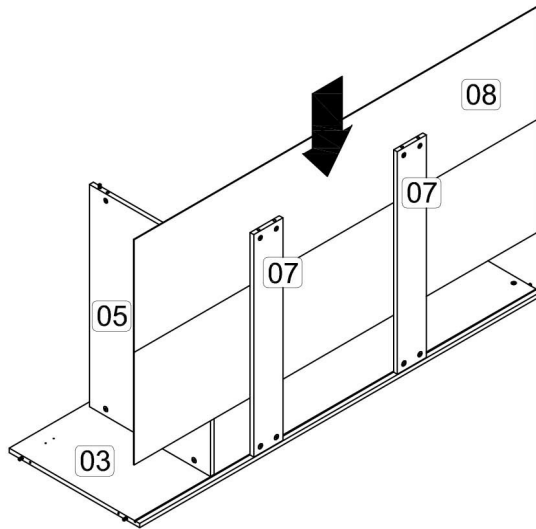
**Step 2:** Attach the panel (5) and (7) to panel (3) using hardware A1 and A3 with a screwdriver (not provided).

**DO NOT use any power tools as this may damage the frame and will invalidate any claim.**



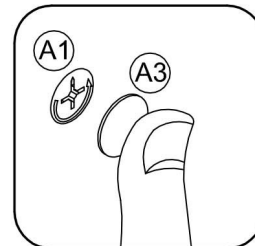
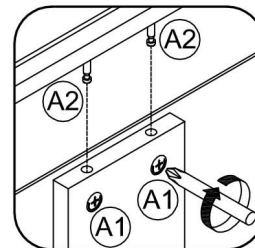
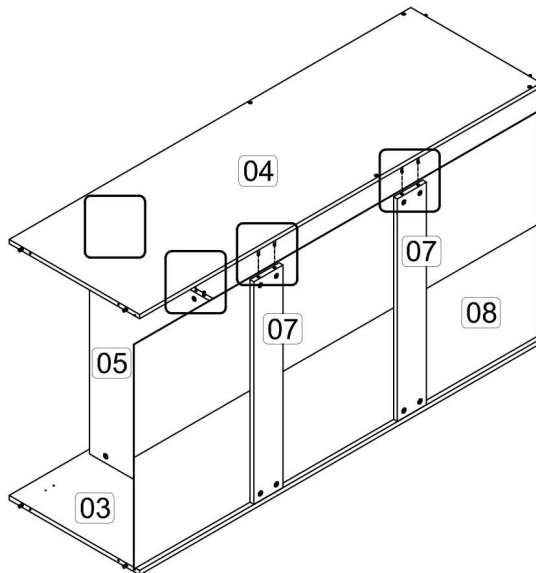
**Step 3:** Insert the panel (8) along the slot.

**DO NOT use any power tools as this may damage the frame and will invalidate any claim.**



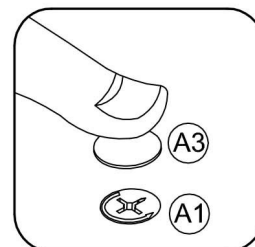
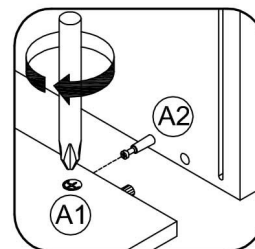
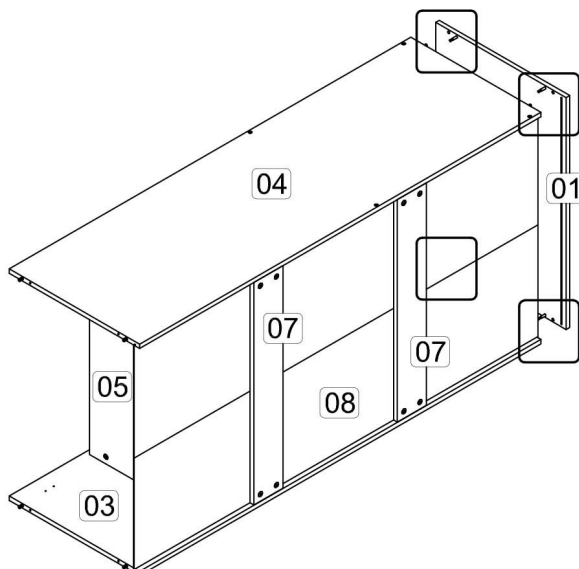
**Step 4:** Attach the panel (5) and (7) to panel (4) using hardware A1 and A3 with a screwdriver (not provided).

**DO NOT use any power tools as this may damage the frame and will invalidate any claim.**



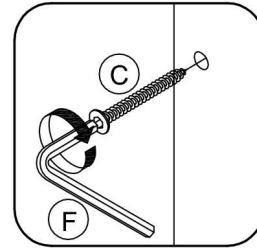
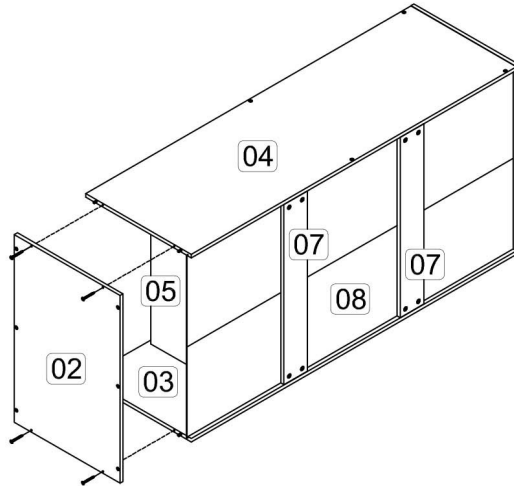
**Step 5:** Attach the panel (3) and (4) to panel (1) using hardware A1 and A3 with a screwdriver (not provided).

**DO NOT use any power tools as this may damage the frame and will invalidate any claim.**



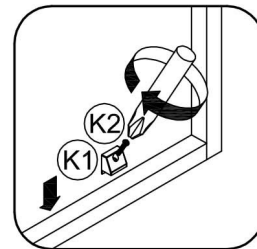
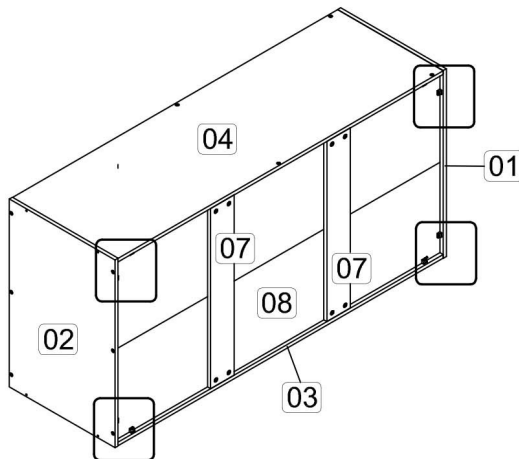
**Step 6:** Attach the panel (2) to panel (3) and (4) using hardware C and F.

**DO NOT use any power tools as this may damage the frame and will invalidate any claim.**



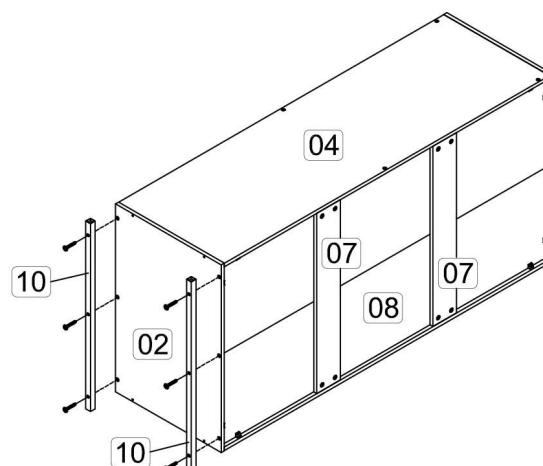
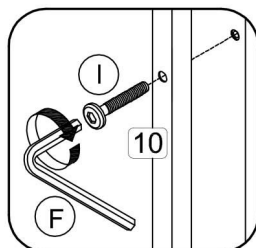
**Step 7:** Attach hardware K1 into panel (1), (2), (3) and (4) using hardware K2 with a screwdriver (not provided).

**DO NOT use any power tools as this may damage the frame and will invalidate any claim.**

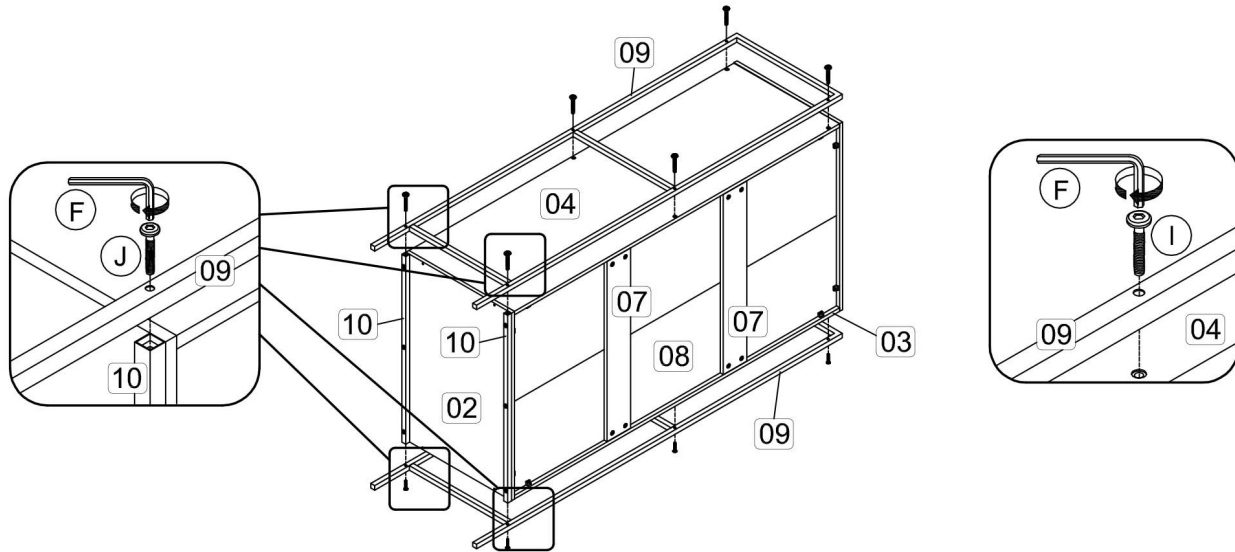


**Step 8:** Attach the Metal Middle (10) to panel (2) using hardware I and F.

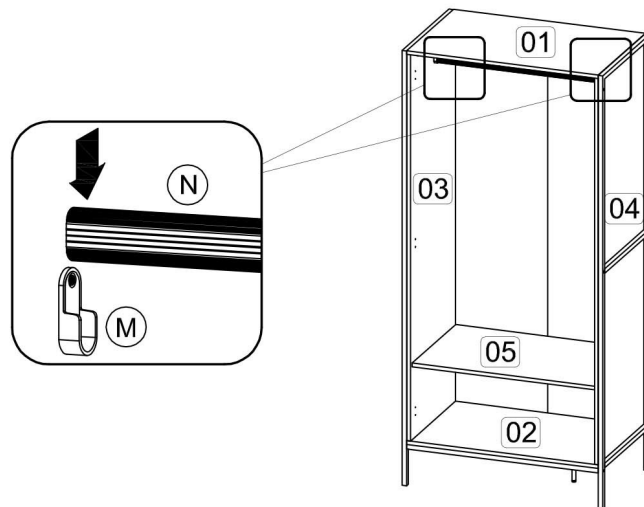
**DO NOT use any power tools as this may damage the frame and will invalidate any claim.**



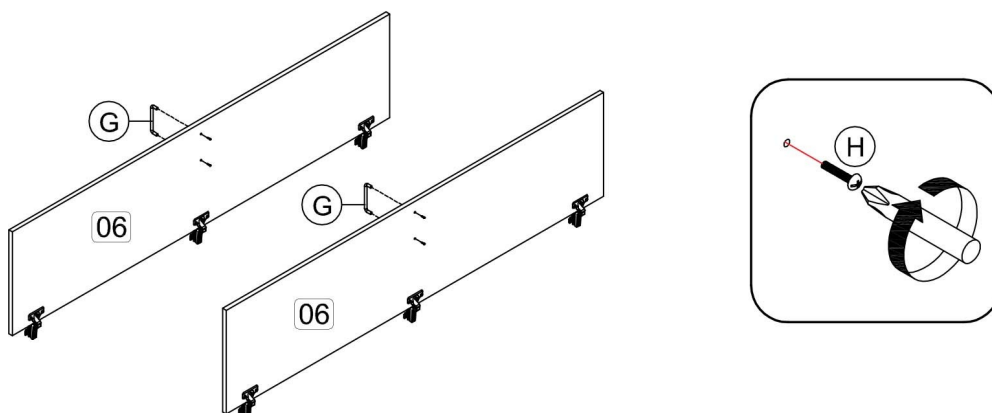
**Step 9:** Attach the Metal Side (9) to panel (3) and (4) using hardware I and F.  
 Attach the Metal Side (9) to Metal Middle (10) using hardware J and F.  
**DO NOT use any power tools as this may damage the frame and will invalidate any claim.**



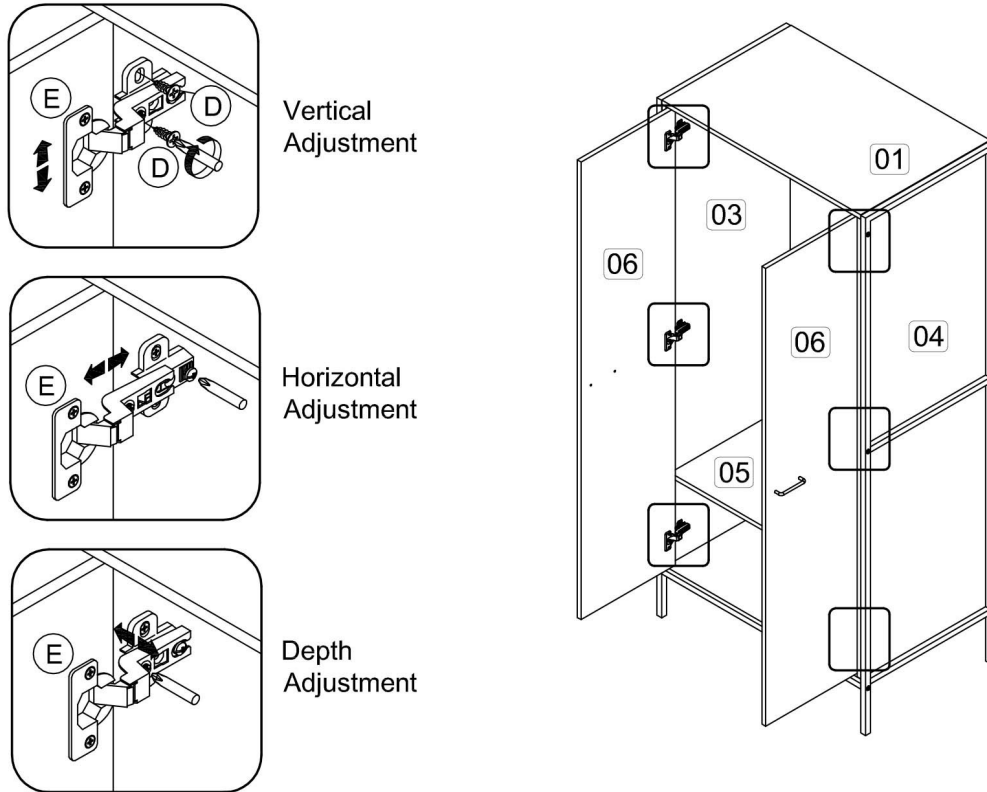
**Step 10:** Attach hardware N into hardware M.  
**DO NOT use any power tools as this may damage the frame and will invalidate any claim.**



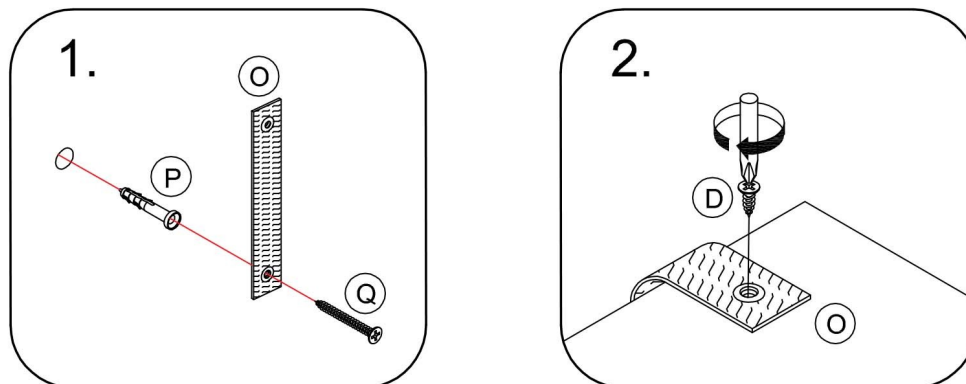
**Step 11:** Fix hardware G onto panel (6) using hardware H with a screwdriver (not provided).  
**DO NOT use any power tools as this may damage the frame and will invalidate any claim.**



**Step 12:** Attach panel (6) to panel (3) and (4) using hardware D with a screwdriver (not provided).  
**DO NOT use any power tools as this may damage the frame and will invalidate any claim.**



**Step 13:** To secure the item to the wall use hardware O, P and Q using a screwdriver (not provided).  
 Then attach hardware part O to the panel (1) using hardware D with a screwdriver (not provided).  
**DO NOT use any power tools as this may damage the frame and will invalidate any claim.**  
 Birlea Furniture advise you use the wall straps provided to further enhance the safety of this product.



### Additional Information:

- For complete product information, images and dimension diagrams please visit the website [www.birlea.com](http://www.birlea.com)
- If you have any issues with your item please contact the retailer directly you purchased it from who will be able to resolve any issues with Birlea.
- Why don't you send us photos of your assembled furniture to [info@birlea.com](mailto:info@birlea.com) to be shared in our #birleahome feature on instagram.