

ASSEMBLY INSTRUCTIONS PALERMO 4 DRAWER DRESSING TABLE

IMPORTANT: READ THESE INSTRUCTIONS CAREFULLY BEFORE ASSEMBLING OR USING YOUR PALERMO 4 DRAWER DRESSING TABLE.

PLEASE KEEP THESE INSTRUCTIONS FOR FUTURE REFERENCE.

HEALTH & SAFETY:

DO NOT use this item if any parts are missing, damaged or worn.

DO NOT use this item unless all fixings are secured.

Please keep small parts out of reach of children.

Always use on a level, even surface.

CARE & MAINTENANCE:

Assemble in the room of use.

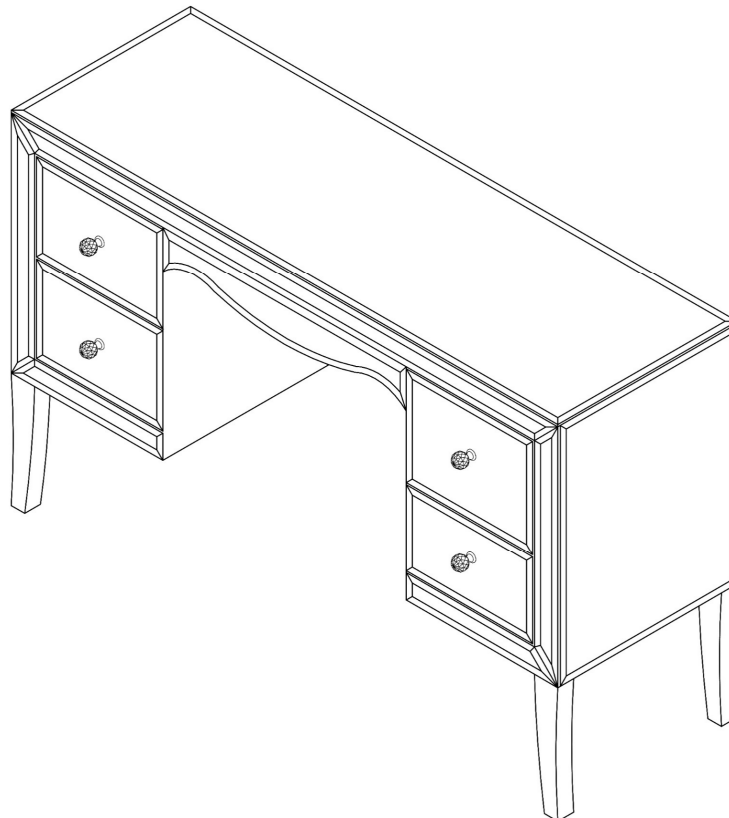
Assemble on a soft, clean surface to prevent damages.

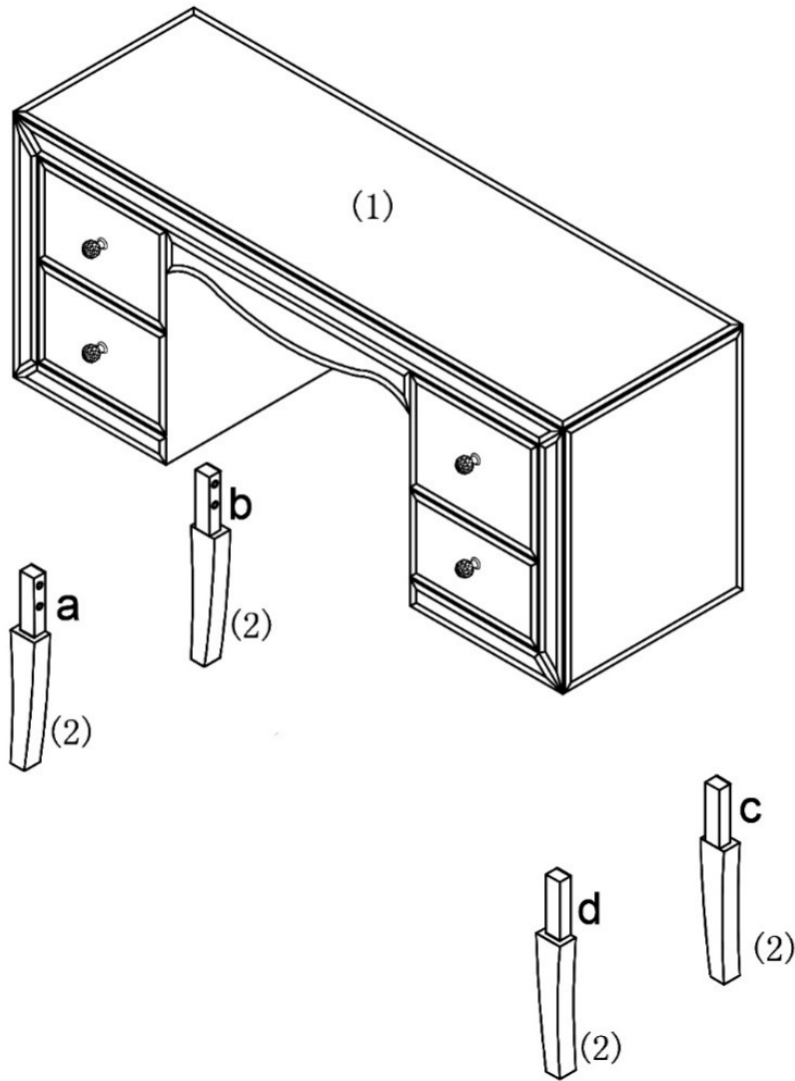
Periodically check all screws & fixings to ensure they are secure.

DO NOT push the item as this will damage the legs.

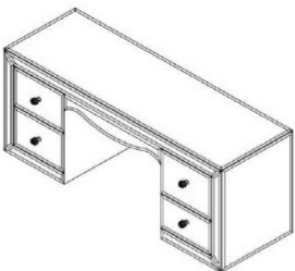

Always lift the item with two people to reposition.

Keep any sharp objects away from the frame.



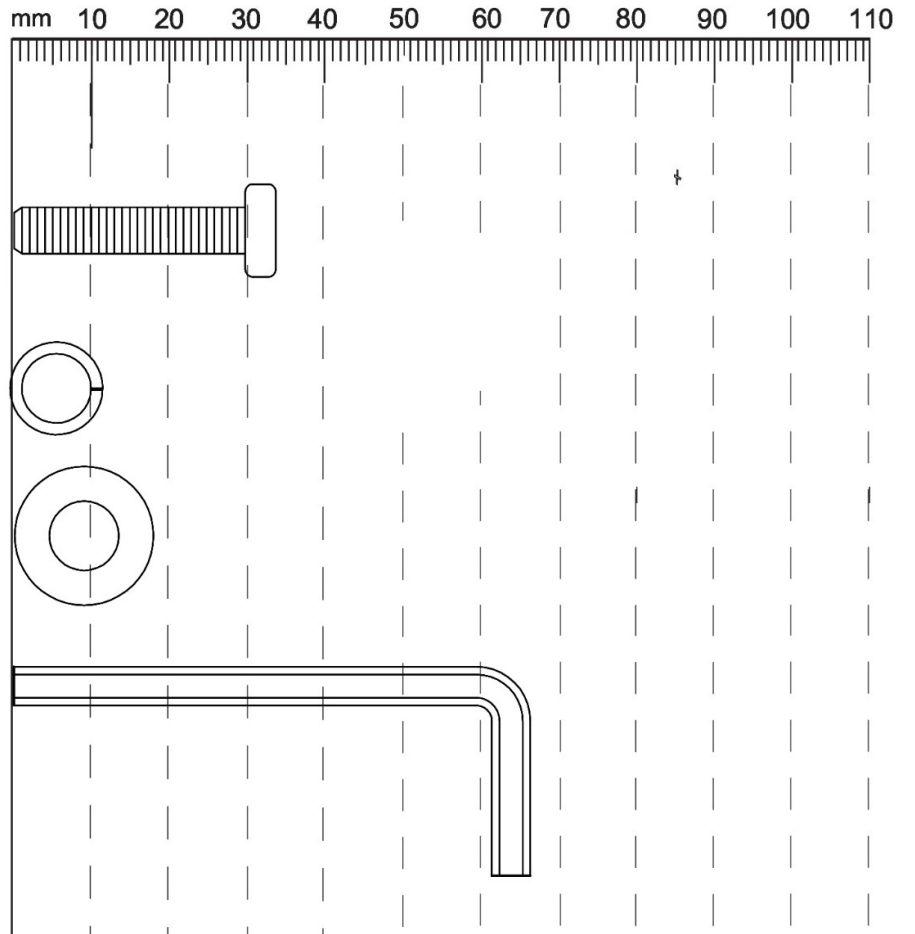


Components supplied – Use this guide if you require a replacement part.

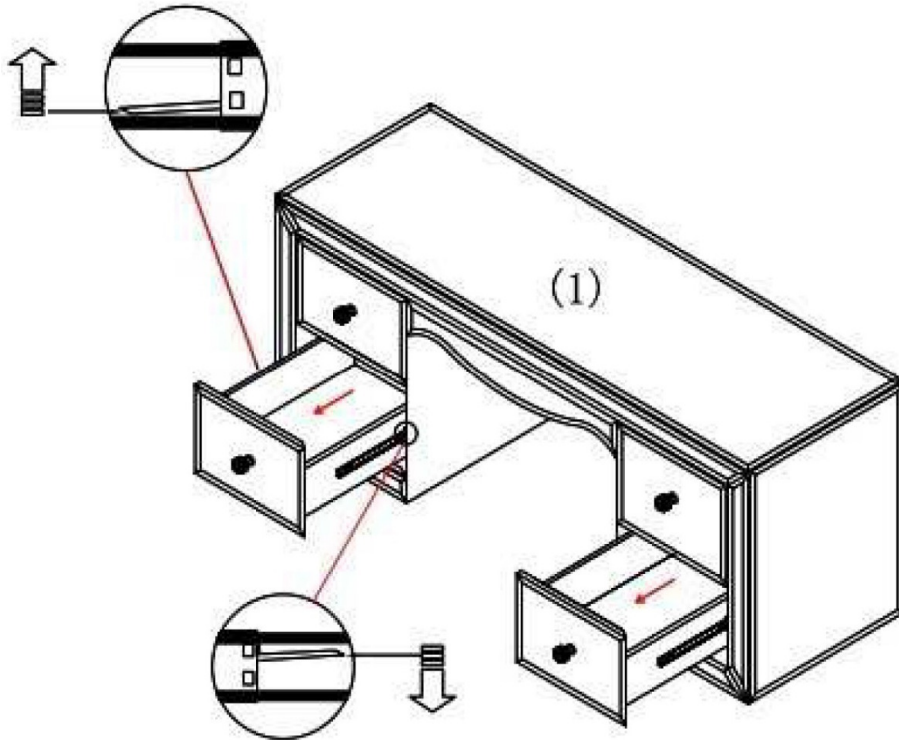
Ref	Dimensions	Visual	Qty
1	128x42x53cm		1
2	27x4x3.2cm		4

**Fixtures and fittings
supplied (actual size)**

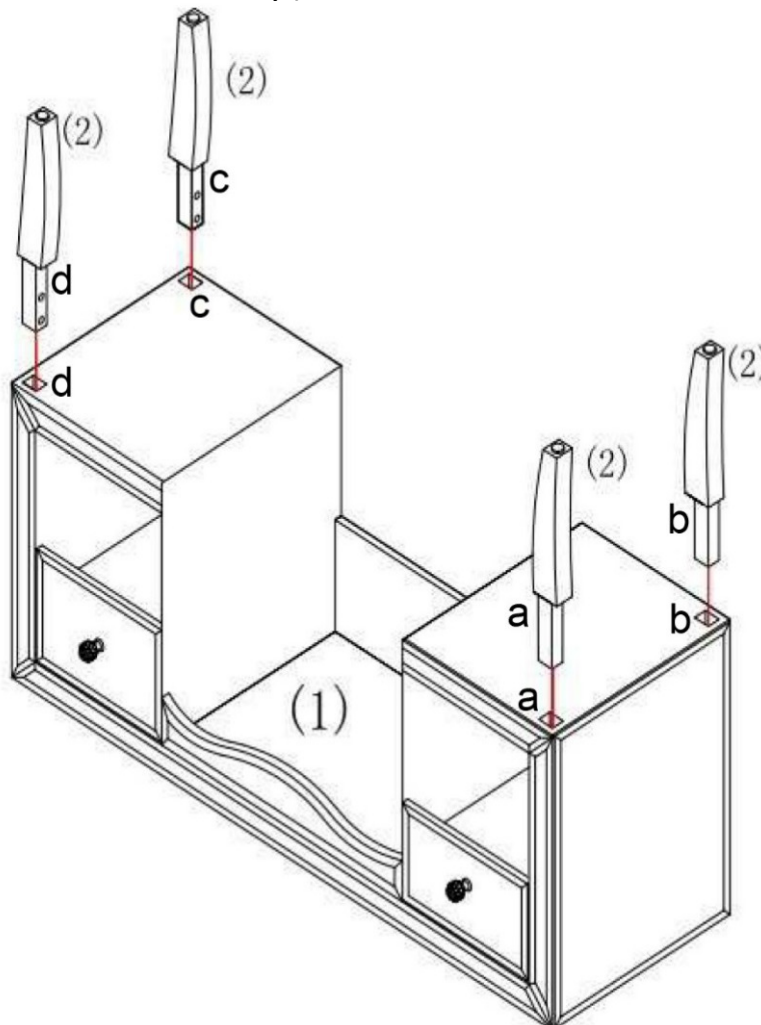
Ref	Dimensions	Qty	Spare
A	M8 X 30mm	8	1
B	12 X9 X T1.5	8	1
C	16 X 9 X T1.5	8	1
D	5mm	1	N/A



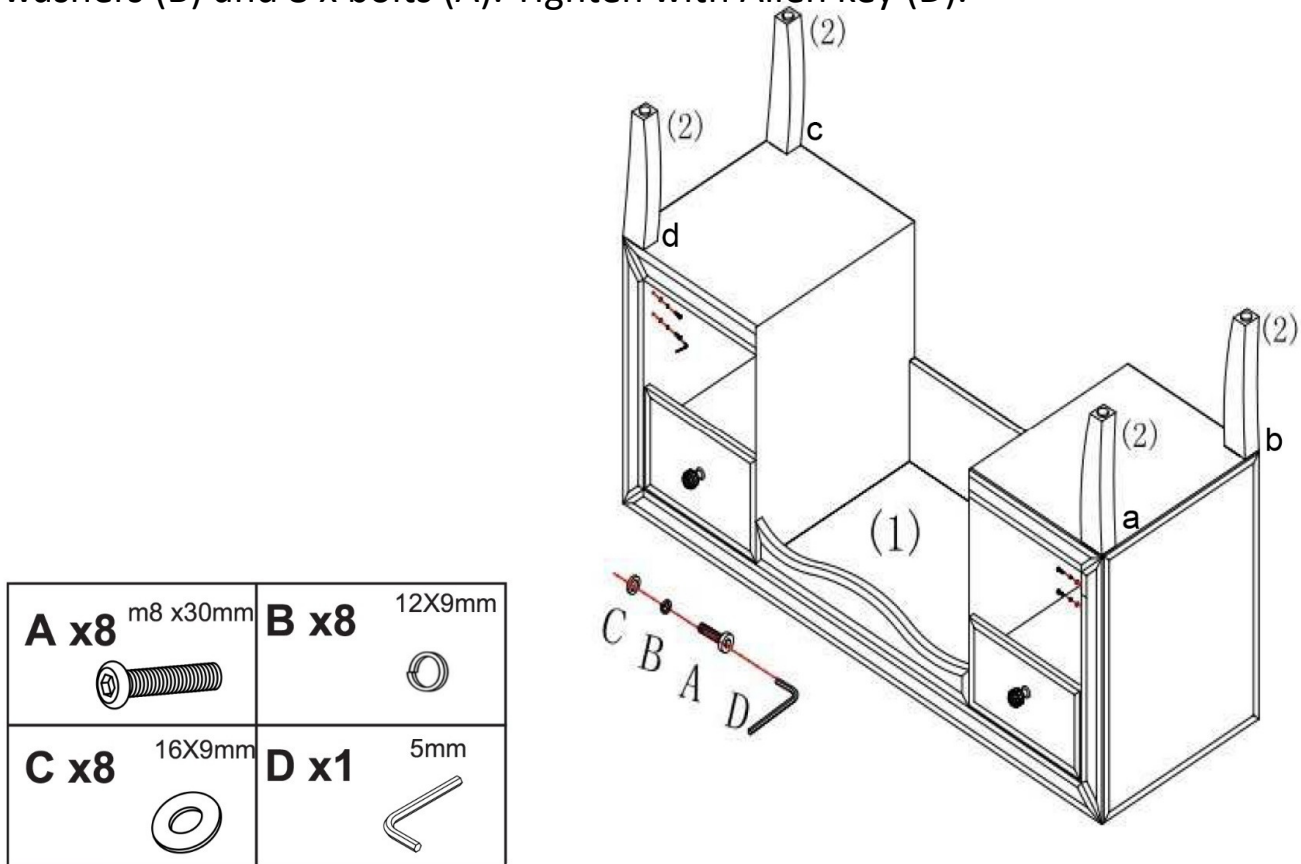
Step 1.



Step 2. Insert the legs into the slots on underside of table top (match up the sticker on legs to that on table top)

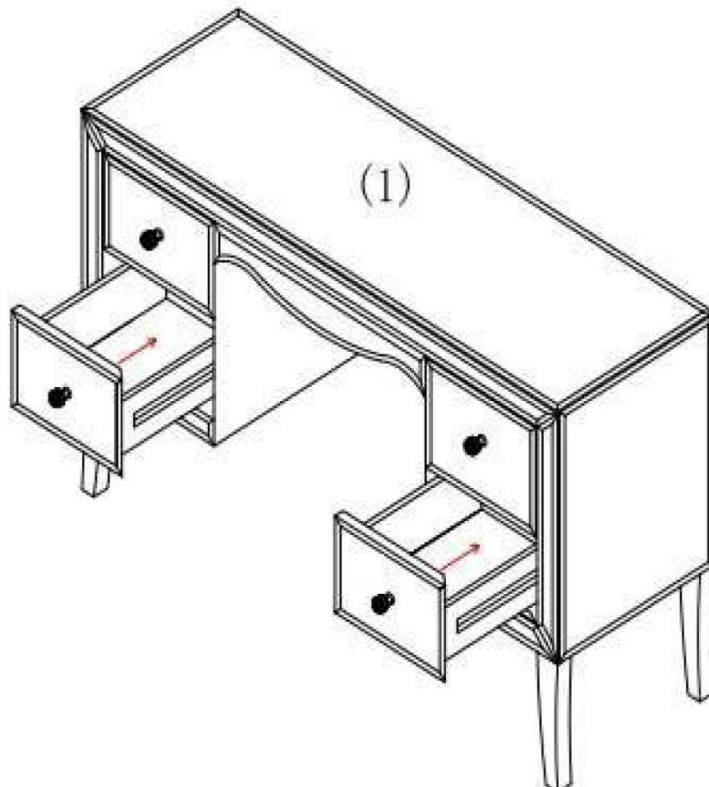


Step 3. Attach table top (1) to legs (2) & (3) using 8 x washers (C), 8 x spring washers (B) and 8 x bolts (A). Tighten with Allen key (D).

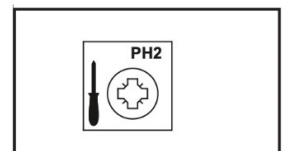
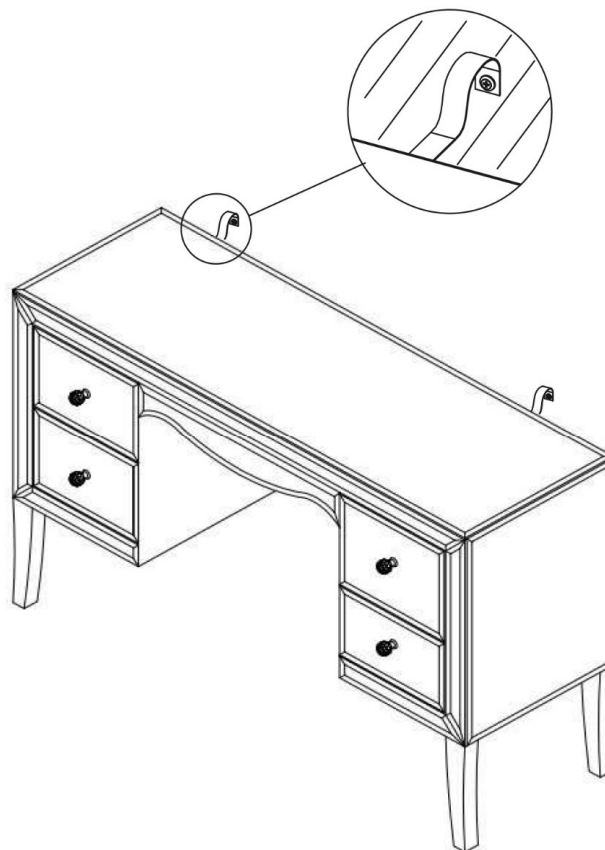
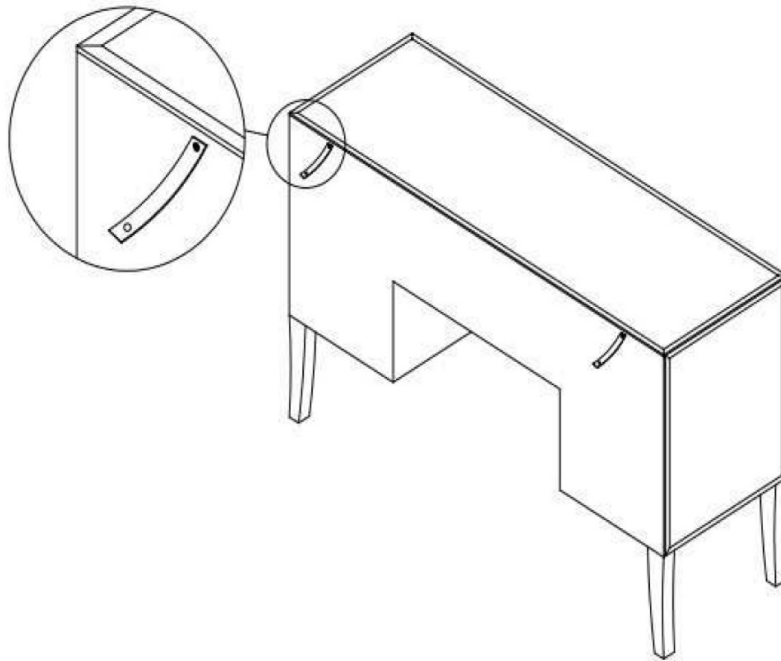


Step 4. (1) Carefully turn the console over using two people to lift safely.

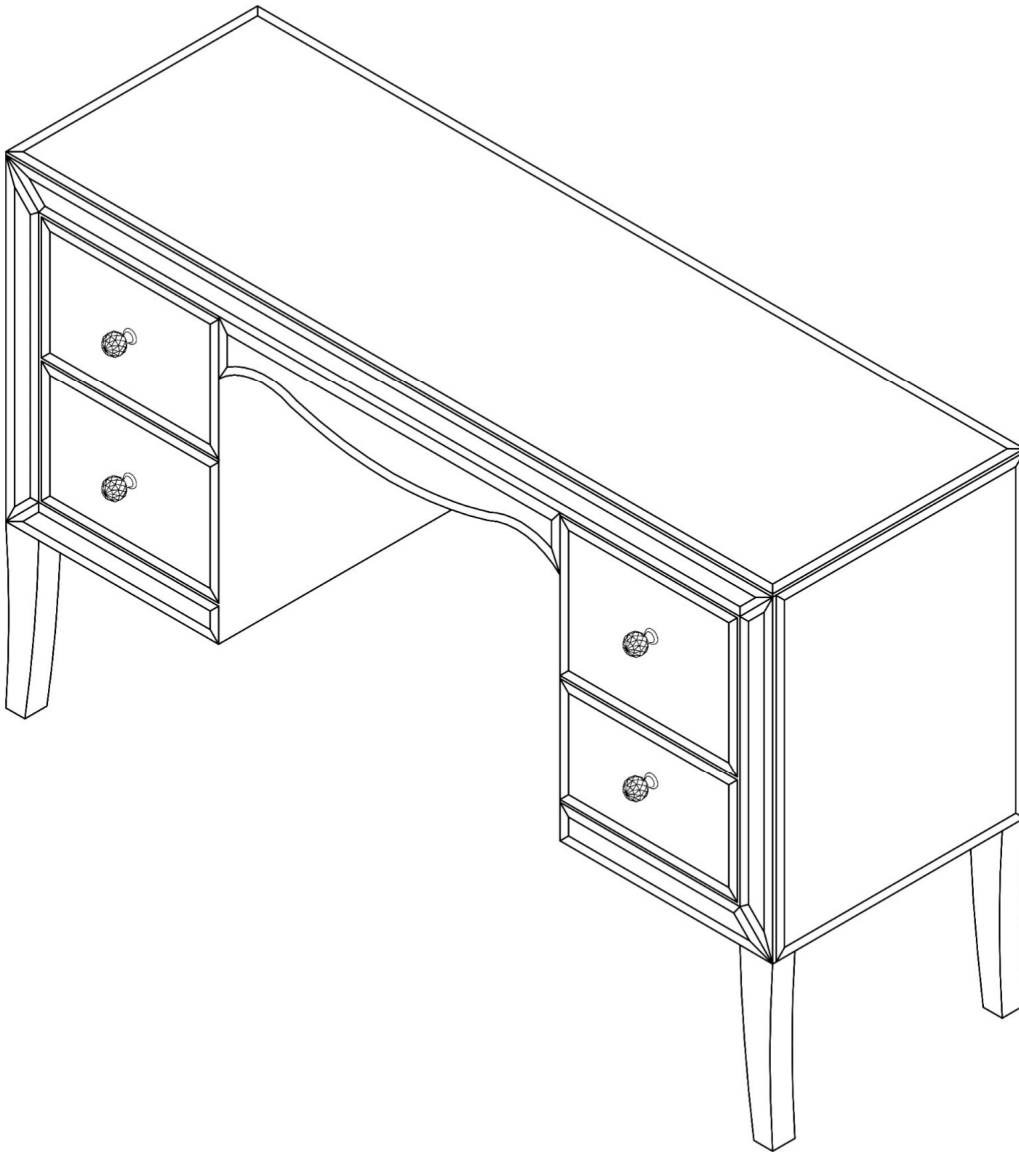
(2) Insert drawers back into table top



Step 5. We recommend the use of the wall strap provided for safety reasons. Wall fixings are not included please source suitable fixings for your wall type. If in doubt, please consult a qualified tradesperson. **WARNING:** always ensure the wall to be drilled is free from hidden electrical wires, water and gas pipes.



Step 6.



Additional Information:

- For complete product information, images and dimension diagrams please visit the website www.birlea.com
- If you have any issues with your item please contact the retailer directly you purchased it from who will be able to resolve any issues with Birlea.
- Why don't you send us photos of your assembled furniture to info@birlea.com to be shared in our #birleahome feature on Instagram.