



# Birlea

Suppliers of inspiration

## Assembly Instructions

Thank you for  
purchasing a  
**Birlea** product.

For a chance to win a Love 2 Shop voucher simply post a picture of your new product on your preferred social channels tagging Birlea Furniture and using the hashtag **#ShareYourStyle** and **#Birlea**. One winner will be selected at random each month.

To view our full terms and conditions please visit [www.birlea.com](http://www.birlea.com)

### Are you happy with your purchase?

**Yes:** That's great, we would love to hear more from you. Please leave us a review on our social media channels or Trustpilot. Your feedback will be greatly appreciated.

**No:** If for any reason there is something missing, indifferent or incorrect with your order, please contact the retailer you purchased the item from. We will work with the retailer to resolve your issue as quickly as possible.



# CASTELLO SIDE OTTOMAN

## Double & King

### Assembly Instructions

#### Before you begin...

1. Please check in your desired room of use.
2. Unpack all boxes and lay out each component on the floor.
3. Check your product for any damage that may be immediately obvious. If damage is identified, please contact your retailer.
4. Please read through these instructions thoroughly to ensure you have constructed your bed correctly.

#### For Care and Maintenance of your bed...

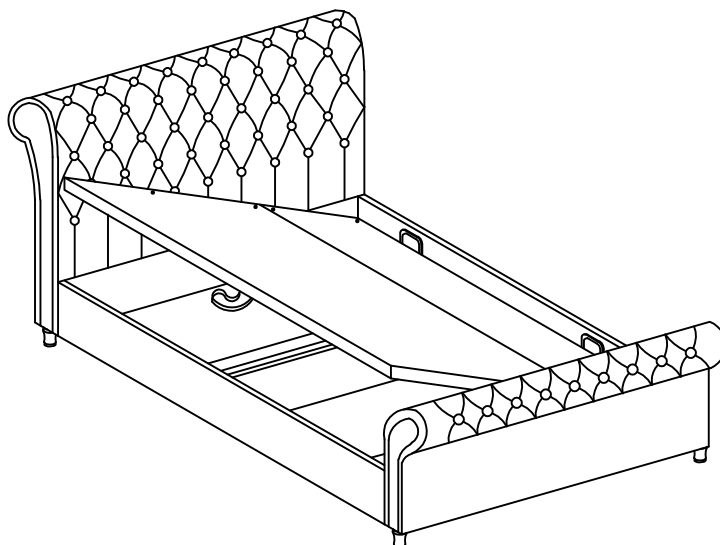
- Always assemble in your desired room of use.
- Always check all screw and fixings periodically to ensure they are still secure.
- Do not push or pull this bed as it will cause damage.
- Always lift this bed with a second person to prevent damage or injury.
- Keep any sharp objects away from this bed frame.

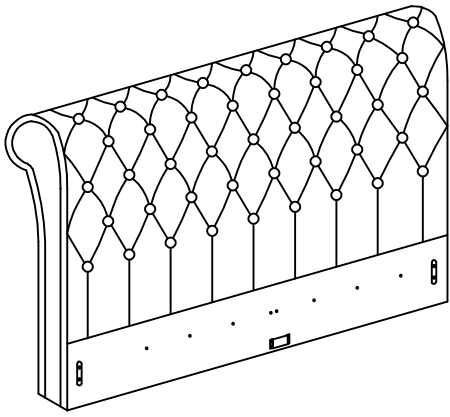
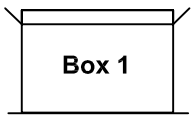
#### For your Health and Safety...

- Please don't not jump on this bed.
- Do not use this bed if you find missing, damaged or worn parts. Please contact your retailer.
- Please do not use this bed until you have fully secure all fixings.
- Please keep all small components away from children.
- Please ensure this bed is on an even, level surface.

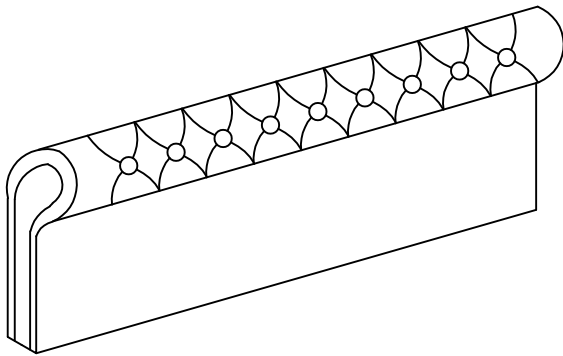
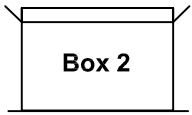
#### Also...

If your desired room of choice has a non-carpeted surface ensure please that you use some form of protection and **do not** place directly on the wooden floor. This will prevent the bed from moving and therefore collapsing which will void your guarantee...

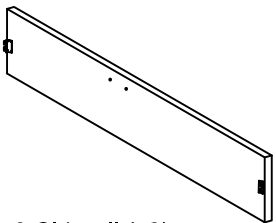
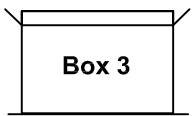




1.Headboard (x1)



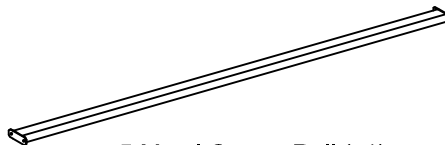
2.Footboard (x1)



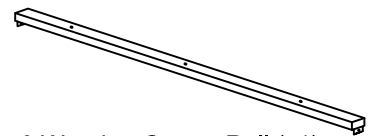
3.Siderail (x2)



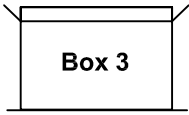
4.Legs (x4)



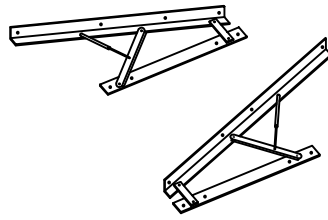
5.Metal Centre Rail (x1)



6.Wooden Centre Rail (x1)



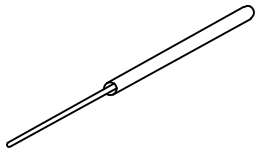
7.Support Legs (x3)



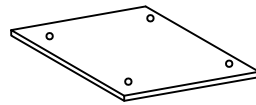
8.Pump Mounting Bracket (x2)



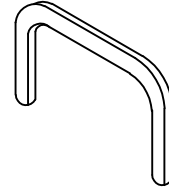
9.Bracket Base (x2)



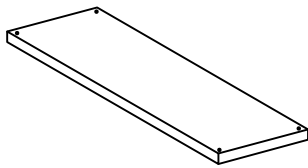
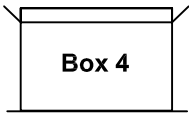
10.Gas Spring (x2)



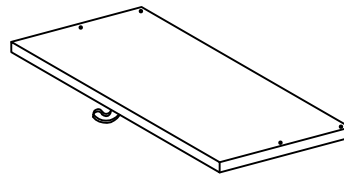
11.Wooden Frame Bracket (x2)



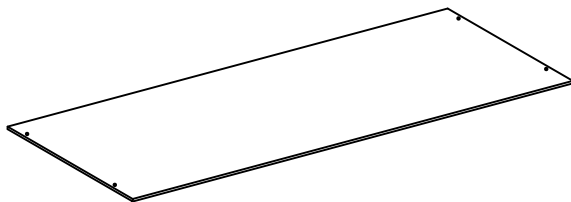
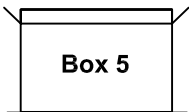
12.Bed Stopper (x2)



13.Small Wooden Frame(x1)



14.Big Wooden Frame (x1)

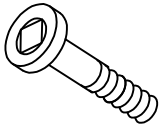


15.Bottom Panel (x4)

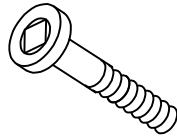


Hardware

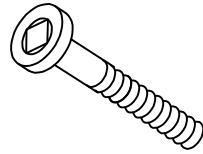
All fitting are stored within Box 3



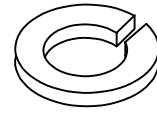
A.M6 x 20 mm JCBC (x4)



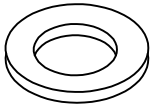
B.M6 x 40 mm JCBC (x11)



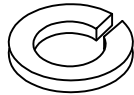
C.M8 x 70 mm JCBB (x8)



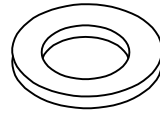
D.M6 Spring Washer (x12)



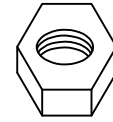
E.M6 Flat Washer (x12)



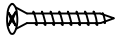
F.M8 Spring Washer (x16)



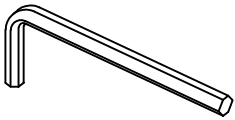
G.M8 Flat Washer (x16)



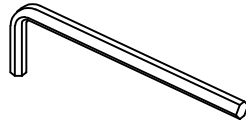
H.M8 Hex Nut (x8)



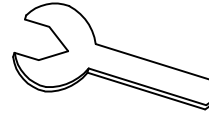
I.M4 x 25 mm CSK (x24)



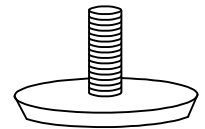
J.Allen Key M4 x 65 mm (x1)



K.Allen Key M5 x 70 mm (x1)



L.M8 Spanner (x1)

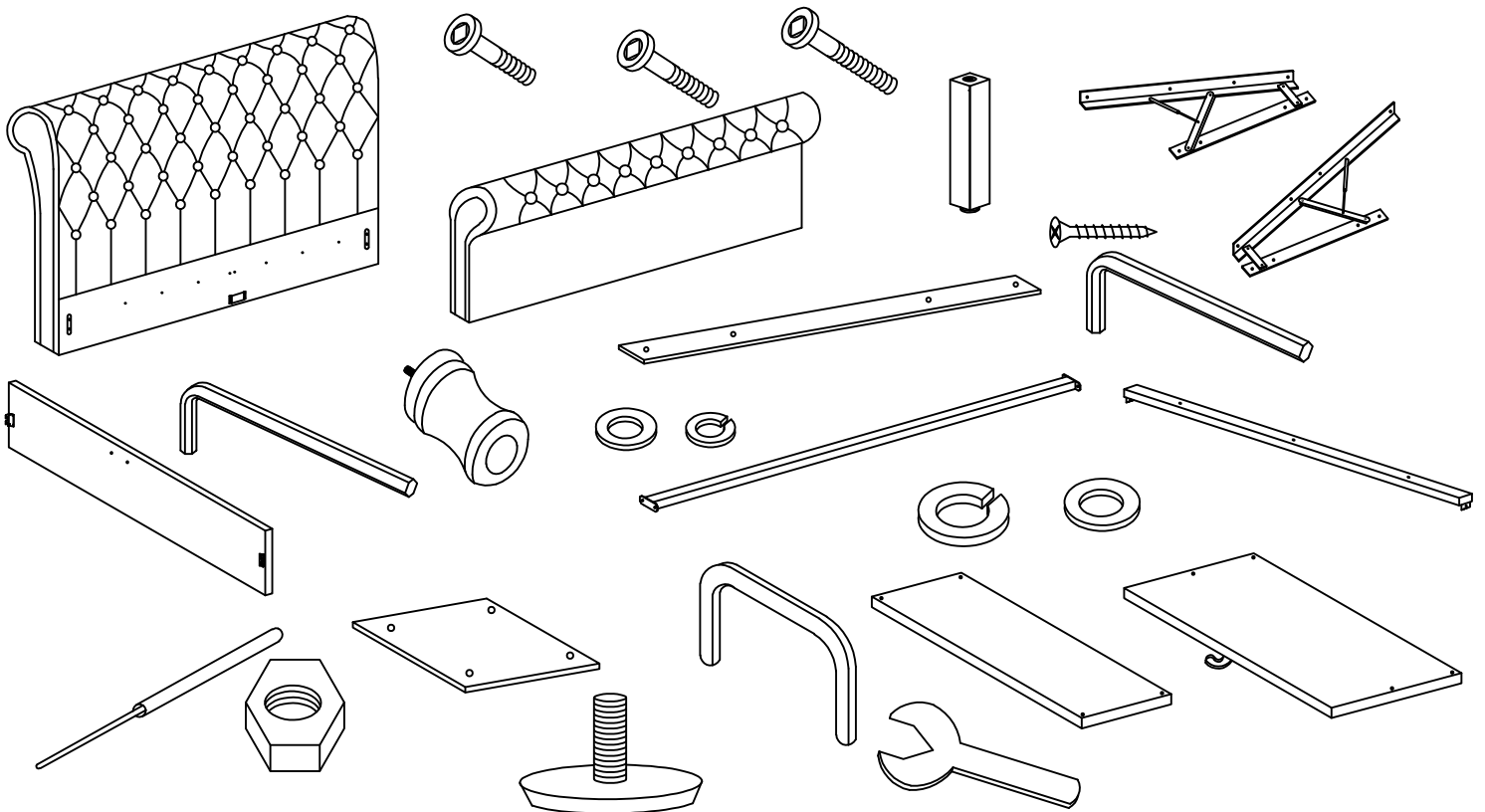


M.Adjuster (x3)

**\*You will need a screwdriver (not provided)**

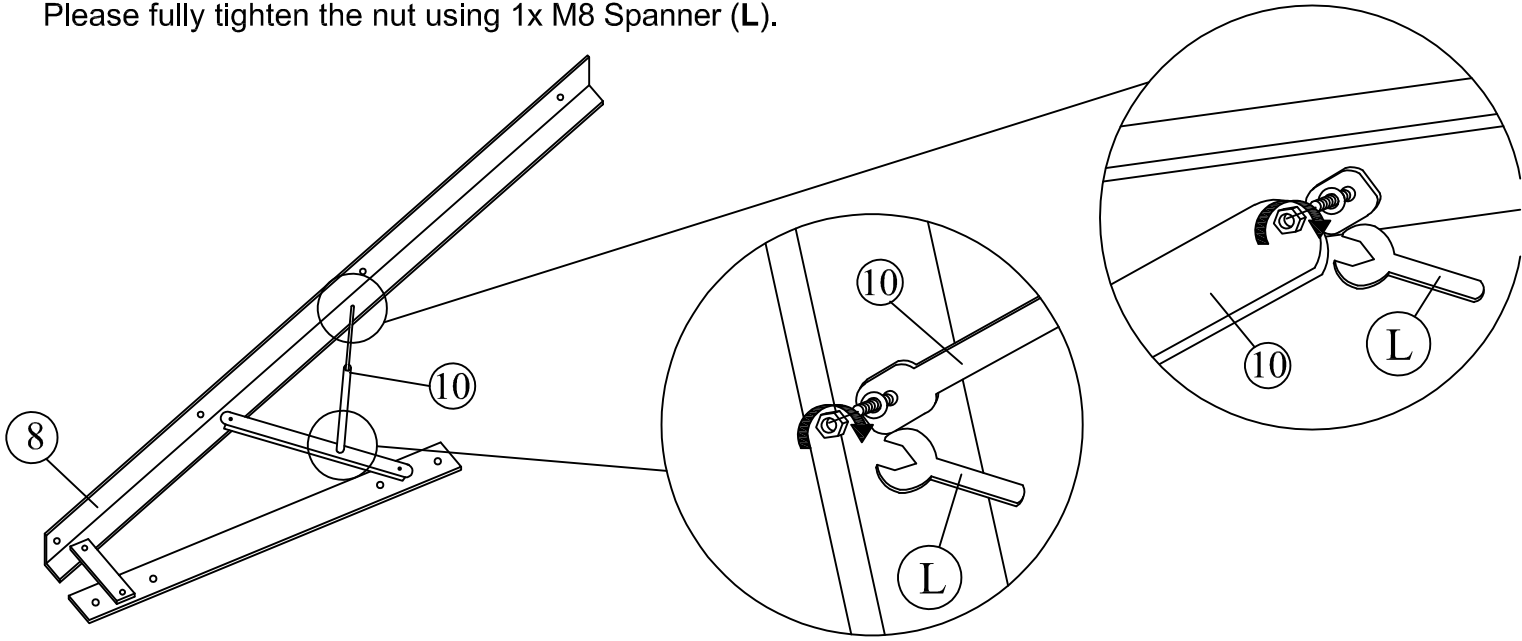
### Step 1

Unpack all components from the boxes and check you are not missing anything. Please check these against the list on page 3 & 4. Should you identify any missing components, please contact the retailer you purchased the bed from.



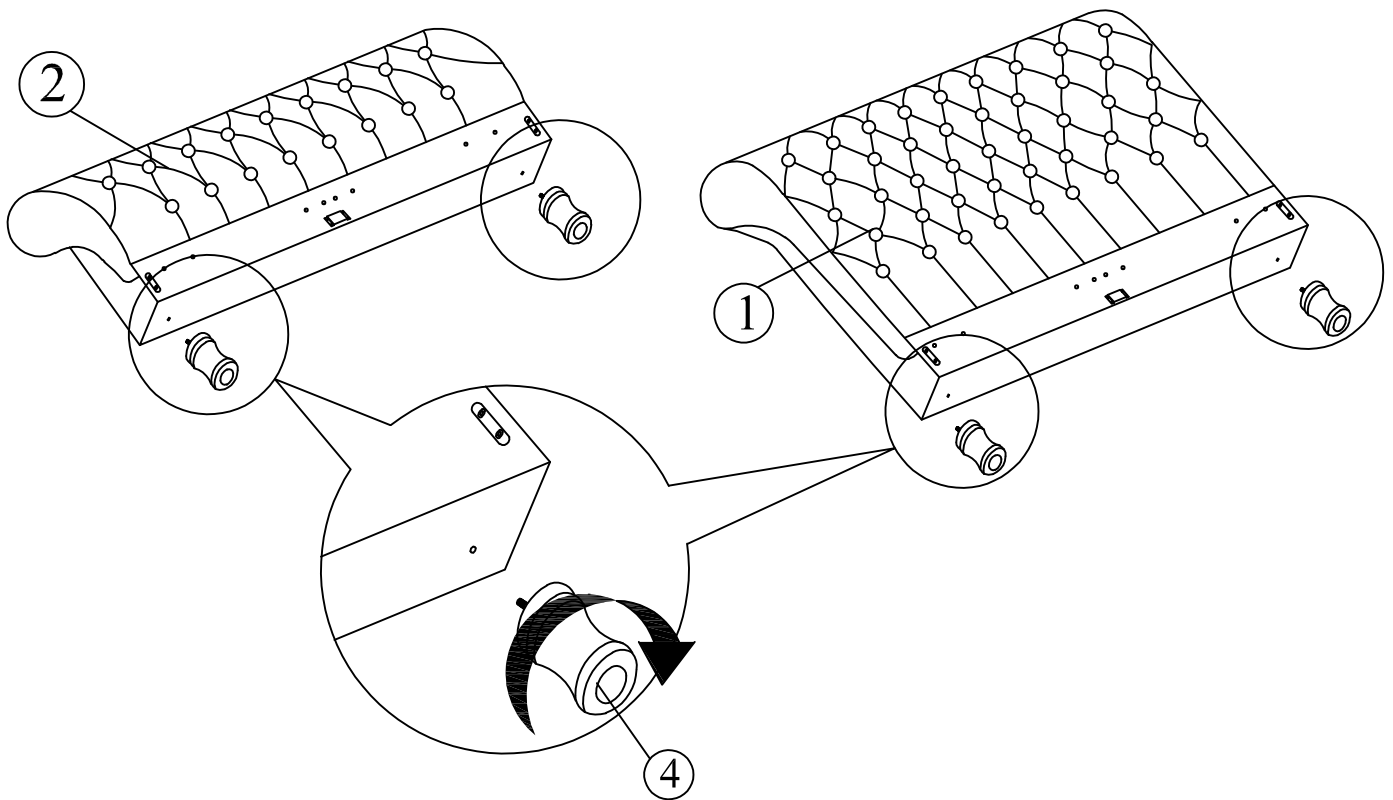
## Step 2

Unscrew the Pre-attached hex-nut of 2x Gas Spring (10) and attach it back again as shown. Please fully tighten the nut using 1x M8 Spanner (L).



## Step 3

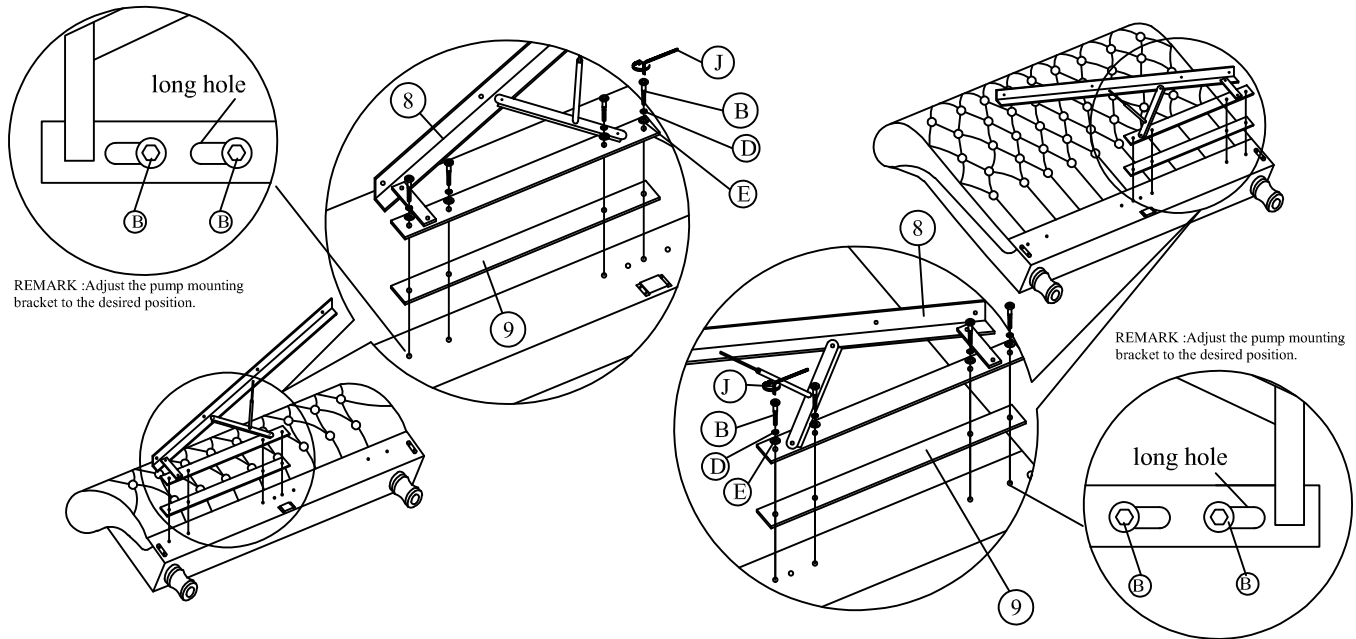
Attach the 4x Legs (4) to the 1x Headboard (1) and 1x Footboard (2).



**DO NOT use any power tools as this may damage the frame and will invalidate any claim.**

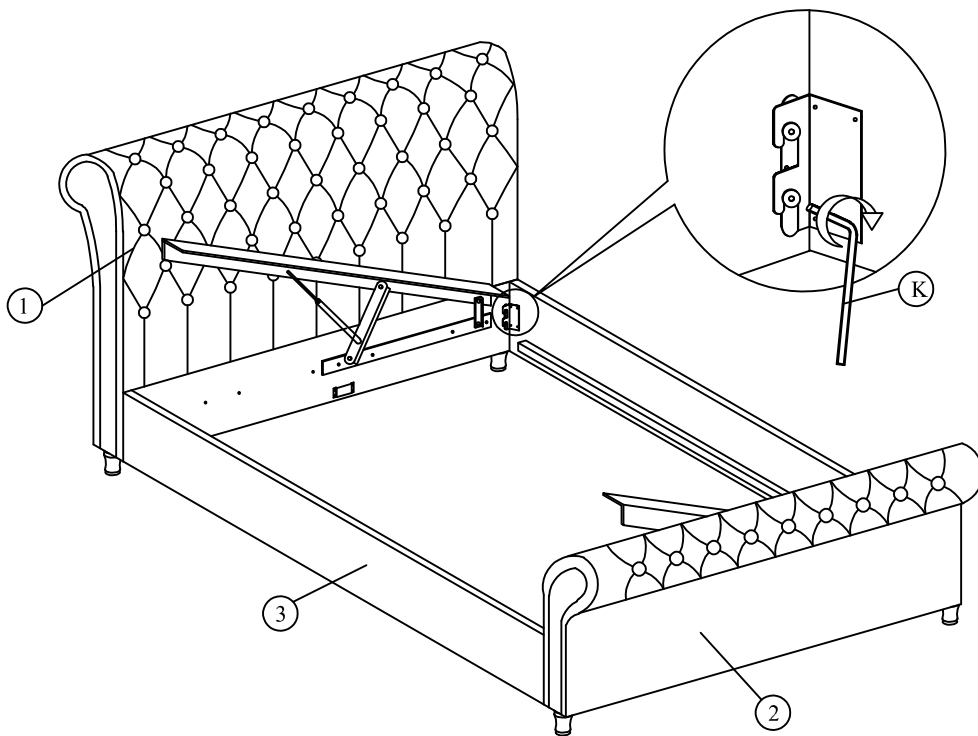
## Step 4

Attach the 2x Pump Mounting bracket (8) and 2x Bracket Base (9) to the 1x Headboard (1) and 1x Footboard (2) using hardware parts 8x M6 x 40 mm JCBC (B) , 8x M6 Spring Washer(D) , 8x M6 Flat Washer(E) and 1x Allen Key M4 x 65 mm(J).



## Step 5

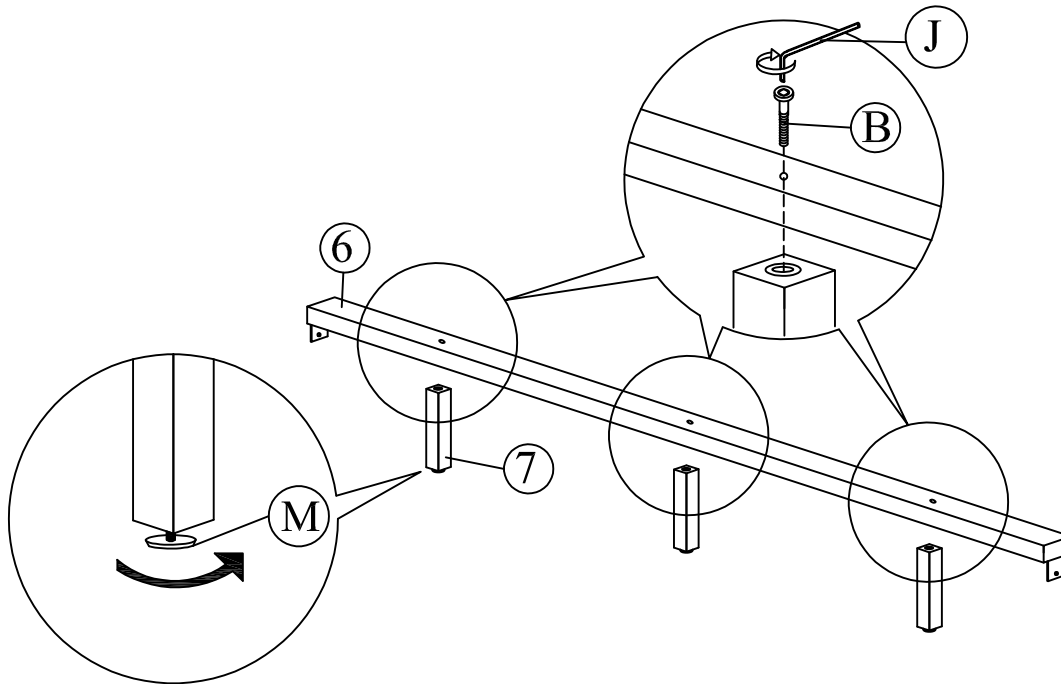
Slot the 2x Side Rails (3) to the Bolts attached to 1x Headboard (1).Then slot the 2x Side Rails (3) to the Bolts attached to 1x Footboard (2).



**DO NOT** use any power tools as this may damage the frame and will invalidate any claim.

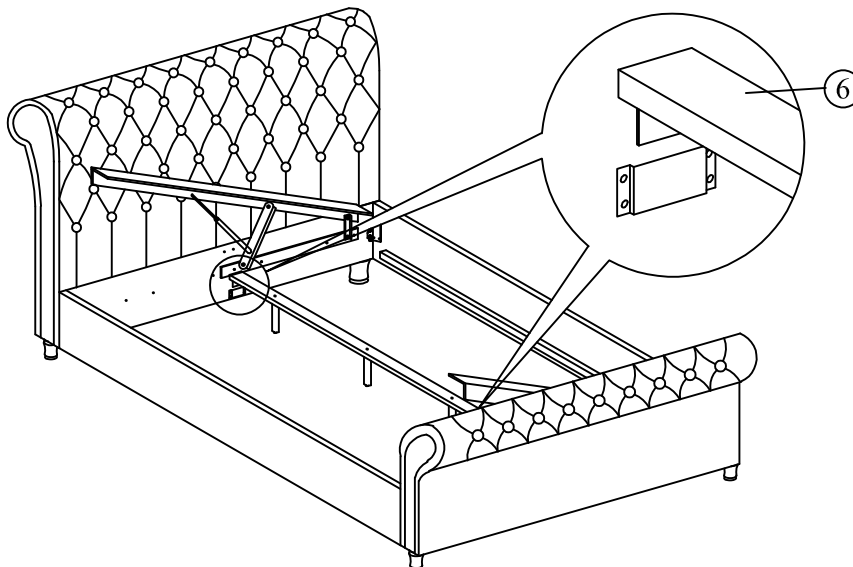
## Step 6

Attach the 3x Support Leg (7) to 1x Centre Rail (6) using 3x M6x40mm JCBC (B) and 1x M4 Allen Key (J). Then, screw 3x Adjuster (M) to Support Leg (7).



## Step 7

Insert the 1x Centre Rail (6) to the 1x Headboard (1) and 1x Footboard (2).

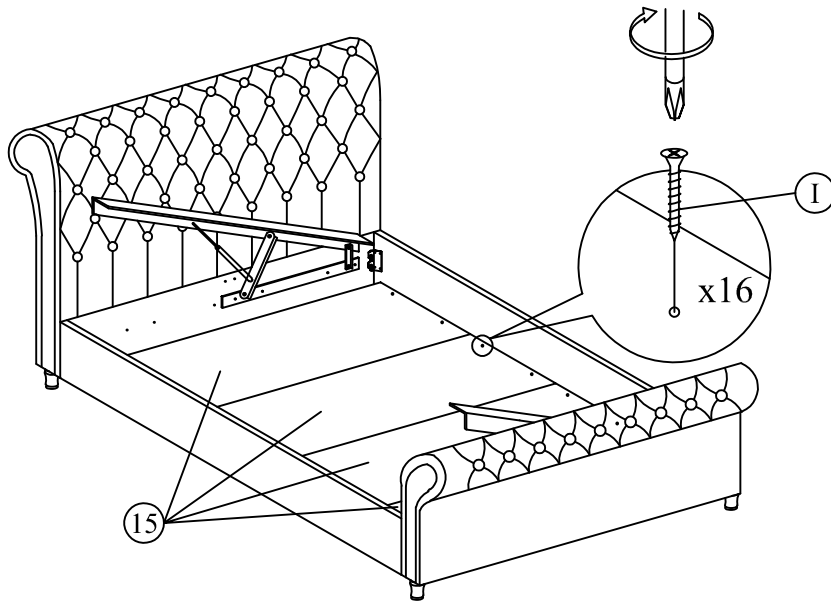


**DO NOT use any power tools as this may damage the frame and will invalidate any claim.**



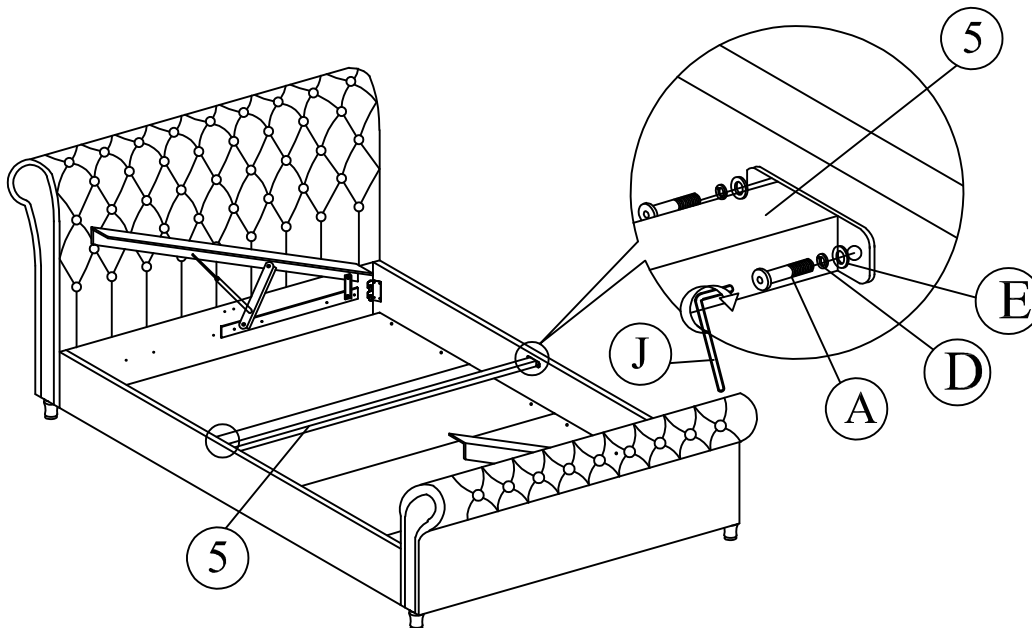
## Step 8

Insert the 4x Bottom Panel (15) to the below frame and secure using hardware 16x M4 x 25 mm CSK (I) and a screwdriver (not provided) .



## Step 9

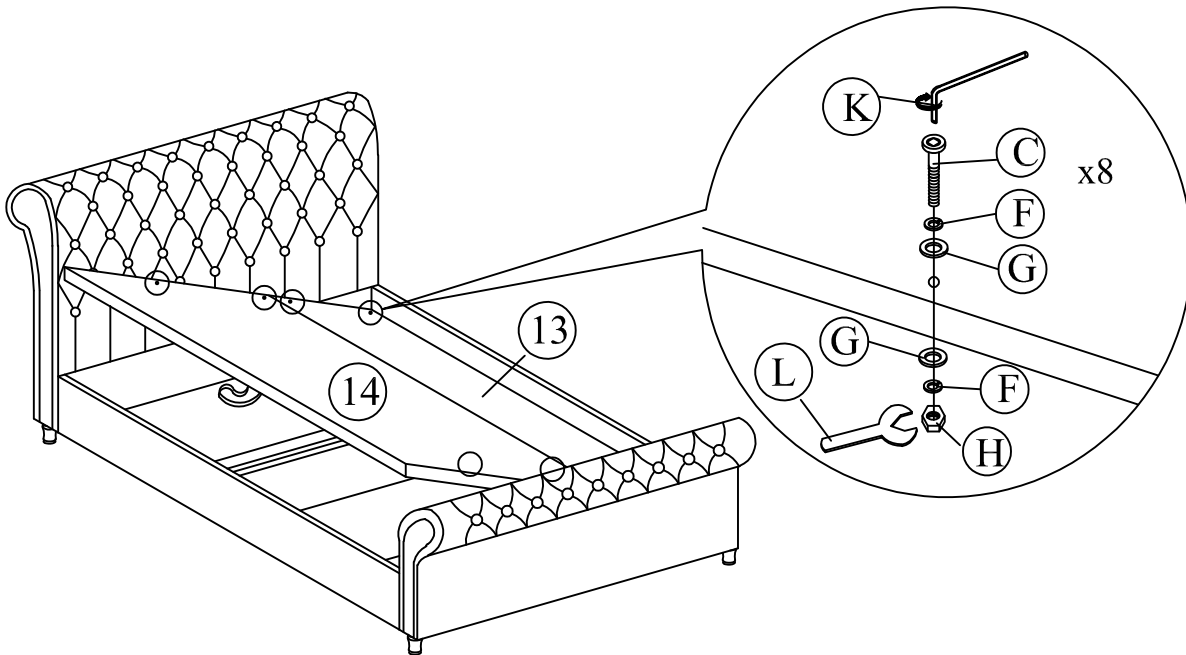
Insert the 1x Centre Rail (5) to the 2x Side Rail (3) and secure using hardware part 4x M6 x 20 mm JCBC (A) ,4x M6 Spring Washer(D) , 4x M6 Flat Washer(E) and 1x Allen Key M4 x 65 mm (J).



**DO NOT use any power tools as this may damage the frame and will invalidate any claim.**

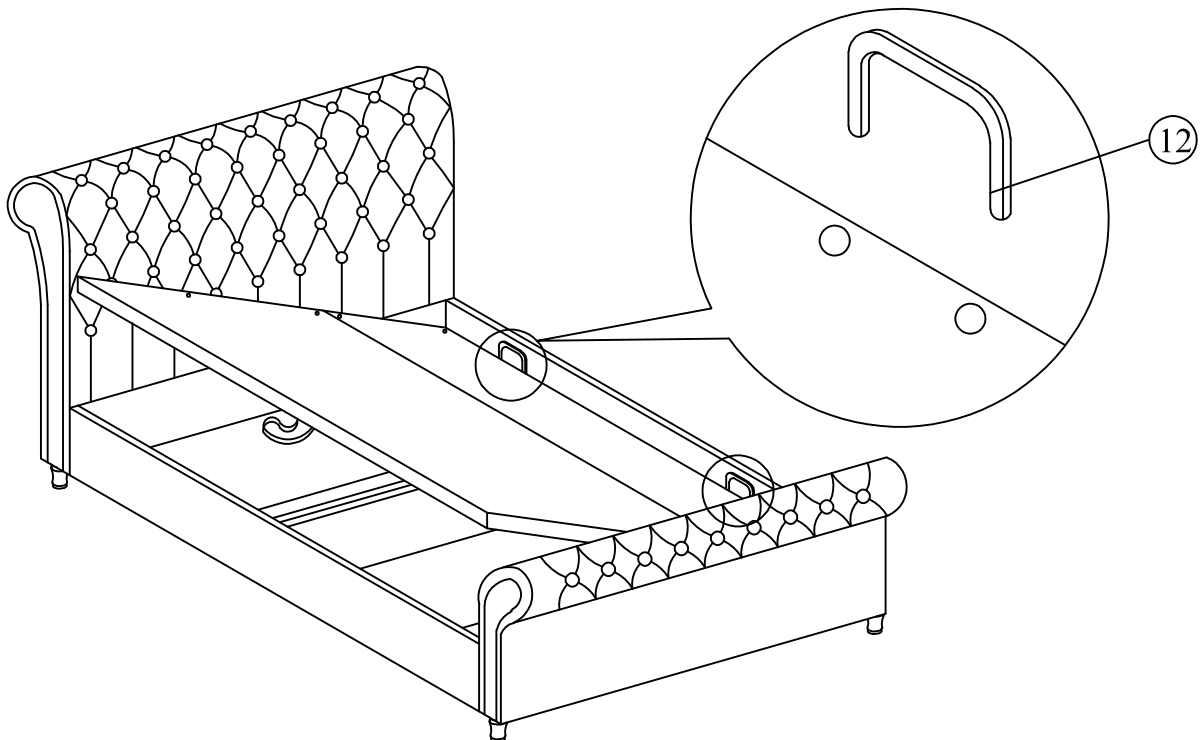
## Step 10

Assemble the 1x Small Wooden Frame (13) and 1x Big Wooden Frame (14) to the bracket and tighten all the fitting accordingly using 8x M8 x 70 mm JCB (C), 16x M8 Spring Washer (F), 16x M8 Flat Washer (G), 8x M8 Hex Nut (H), 1x Allen Key M5 x 70 mm (K), 1x M8 Spanner (L).



## Step 11

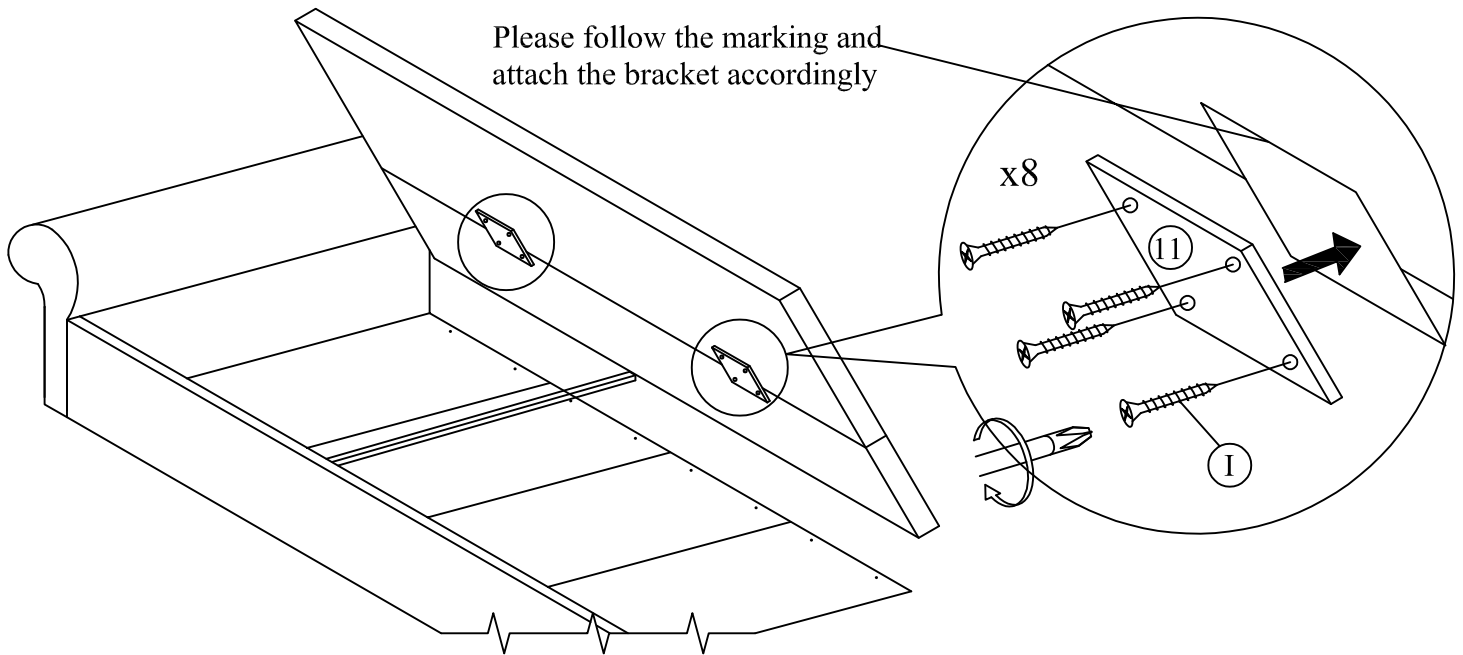
Insert the 2x Bed Stopper (12) to the wooden frame as shown.



**DO NOT use any power tools as this may damage the frame and will invalidate any claim.**

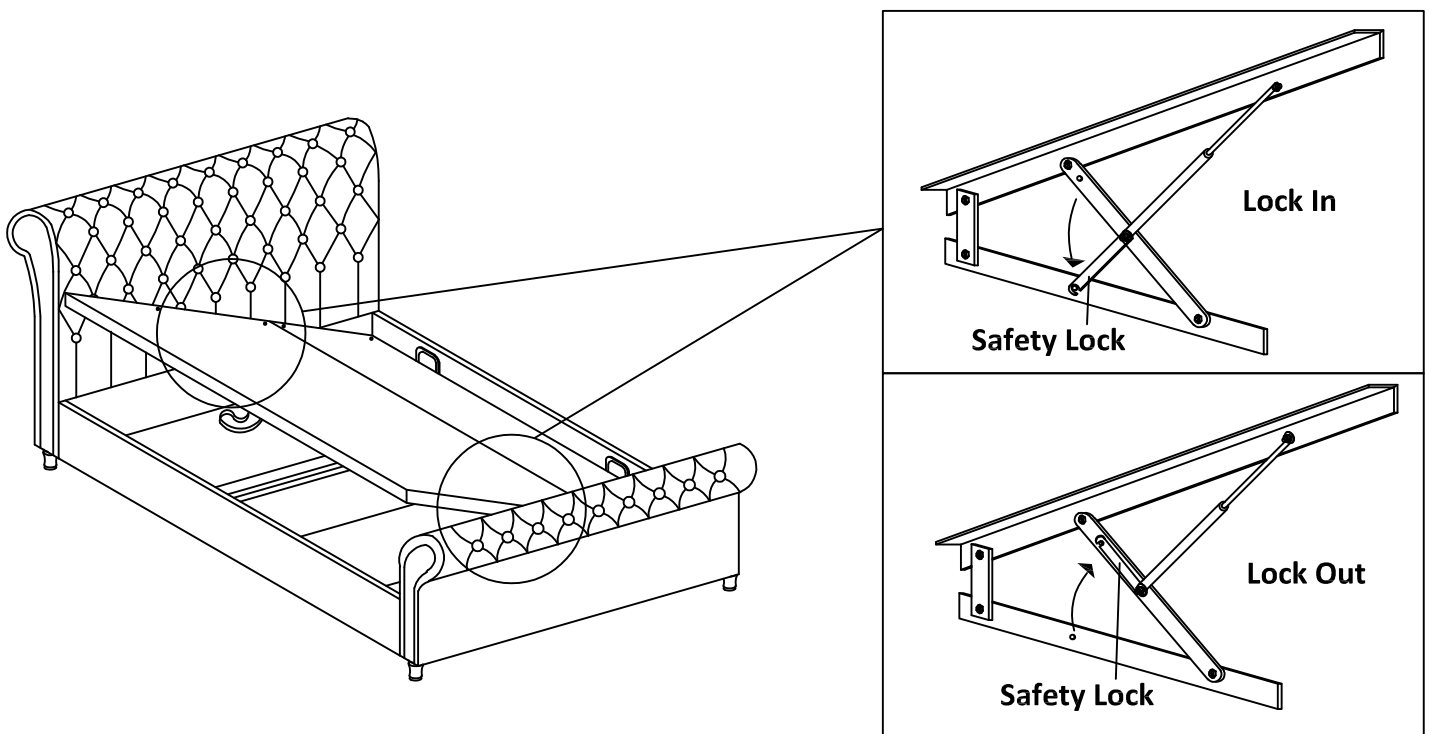
## Step 12

Attach the wooden 2x Frame Bracket (11) to the wooden frame using hardware 8x M4 x 25 mm CSK (I) and a screwdriver (not provided).



## Step 13

Please use the safety lock for safety purpose.



**DO NOT use any power tools as this may damage the frame and will invalidate any claim.**