



Birlea

Suppliers of inspiration

Vendor: S000238



ASSEMBLY INSTRUCTIONS

RIO 4'6 BED FRAME

IMPORTANT: READ THESE INSTRUCTIONS CAREFULLY BEFORE ASSEMBLING OR USING YOUR RIO 4'6 BED FRAME.

PLEASE KEEP THESE INSTRUCTIONS FOR FUTURE REFERENCE.

HEALTH & SAFETY:

DO NOT jump on this bed frame.

DO NOT use this bed frame if any parts are missing, damaged or worn.

DO NOT use this bed frame unless all fixings are secured.

Always use on a level, even surface.

WARNING: If this bed is placed on a non-carpeted floor you must place some protection under all legs to stop the bed frame from moving. If this is not adhered to there is no guarantee if the bed frame collapses.

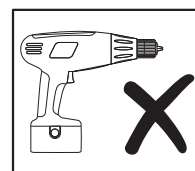
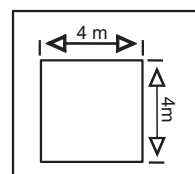
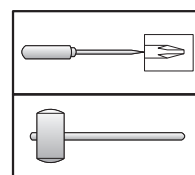
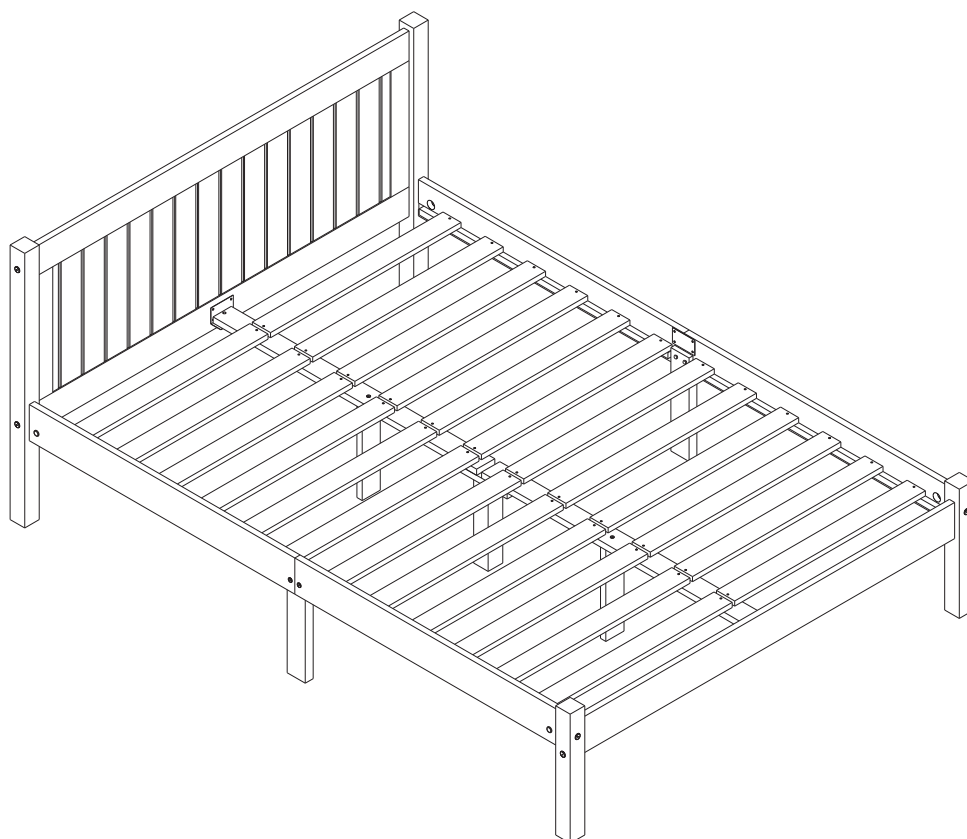
CARE & MAINTENANCE:

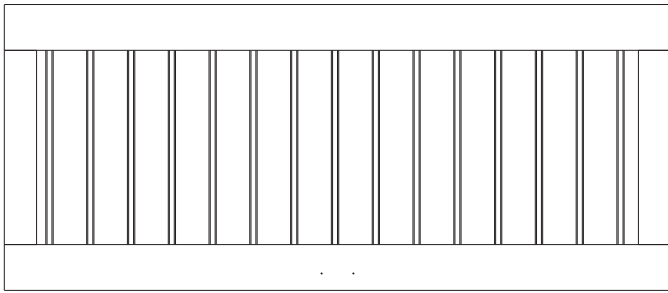
Periodically check all screws & fixings to ensure they are secure.

DO NOT push the bed frame as this will damage the legs.

Always lift the bed with two people to reposition.

Keep any sharp objects away from the frame.

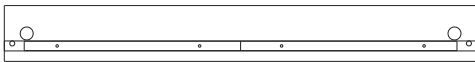




1 Headboard panel (134 x 57.4cm)



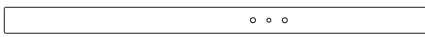
2 Footboard panel (134 x 11.2cm)



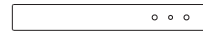
3 Side rail x 4 (95 x 11.2cm)



4 Centre rail x 2 (95.2 x 6.5cm)



5 Headboard post x 2 (85 x 5.2cm)



6 Left footboard post (40 x 5.2cm)



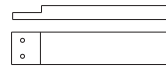
7 Right footboard post (40 x 5.2cm)



8 Slat x 24 (68.2 x 6.5cm)



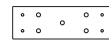
9 Support leg (26.4 x 5.2cm)



10 Support side rail x 2 (32 x 6.5cm)



11 Support leg x 2 (28.3 x 6.5cm)







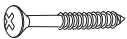








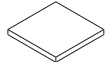




12 Joint centre rail (20 x 6.5cm)

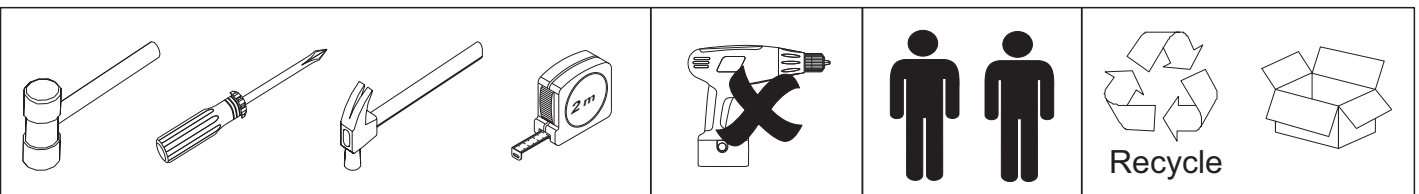


13 Hardware Kit x 1

HARDWARE LIST

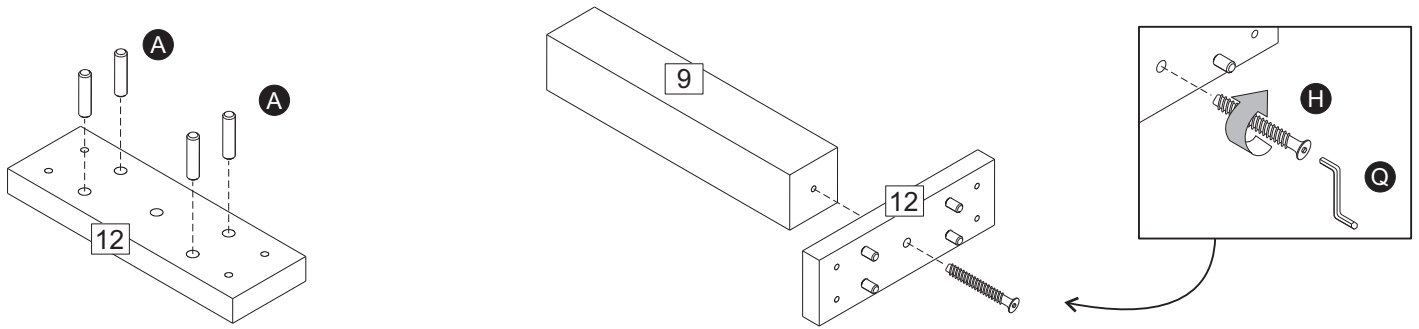
Part	Item	Qty	Part	Item	Qty
A	30mm dowel 	10	K	100mm Bolt 	4
B	40mm dowel 	12	L	Half moon nut 	4
C	16mm Screw 	16	M	Coupling screw 	4
D	30mm Screw 	52	N	Washer 	4
E	22mm Bolt 	4	O	Metal bracket 	2
F	32mm Bolt 	2	P	Metal bracket 	2
G	Nut 	2	Q	Allen key 	1
H	50mm Bolt 	3	R	Spacer 	2
J	90mm Bolt 	6	S	Plastic hole plugs 	4

You will need a screwdriver, small mallet and M11 spanner (not provided).

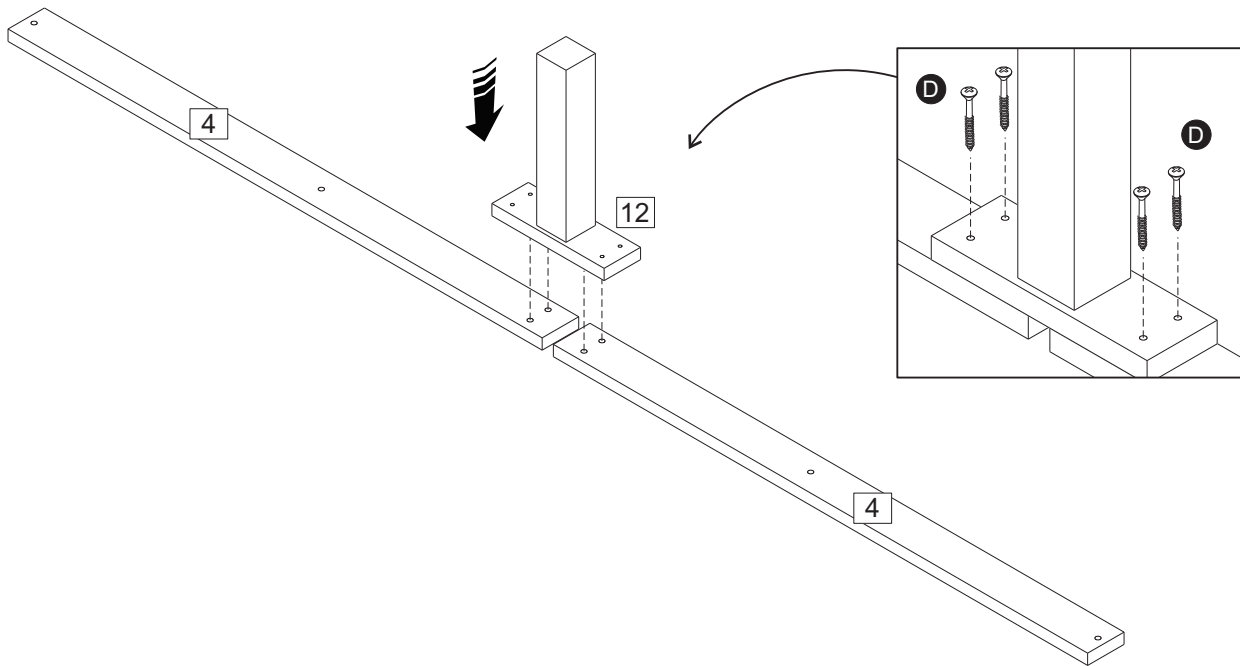


Step 1: Insert hardware part A into the joint centre rail (12) using a small mallet (not provided).
Join the support leg (9) to the joint centre rail (12) using hardware H and Q.
DO NOT use any power tools as this may damage the frame and will invalidate any claim.

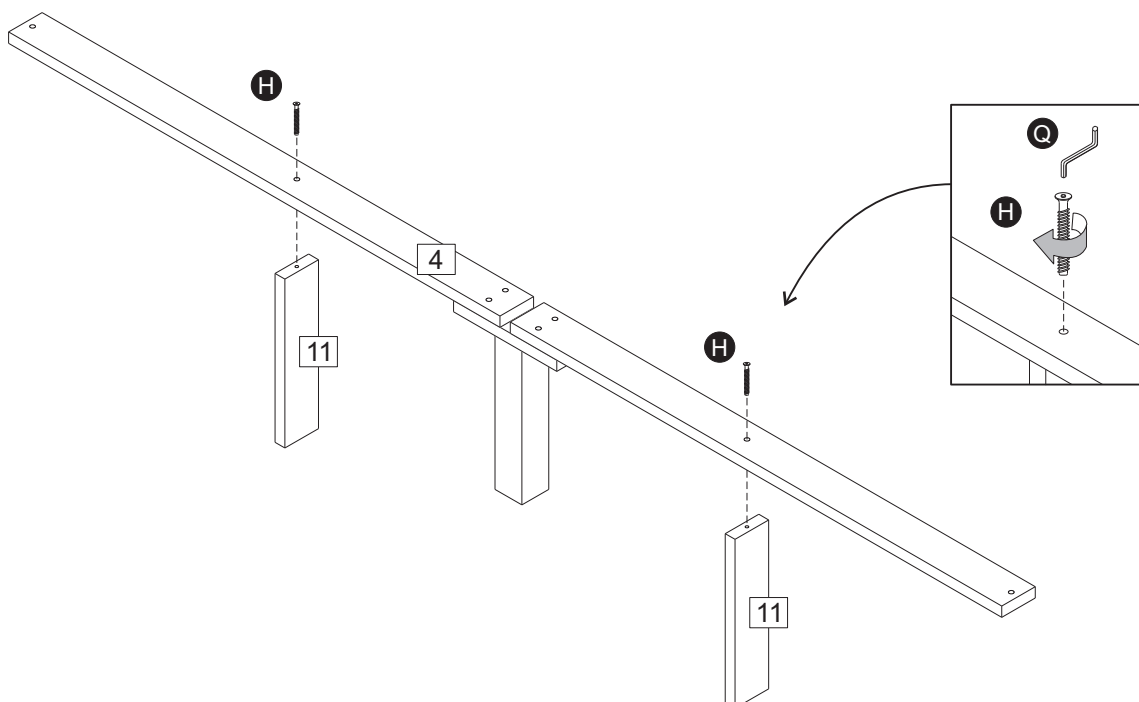
Vendor: S000238



Step 2: Join both centre rails (4) using the joint centre rail (12) and hardware D and a screwdriver (not provided).
Please note that the side with 1 hole must be turned outside.
DO NOT use any power tools as this may damage the frame and will invalidate any claim.

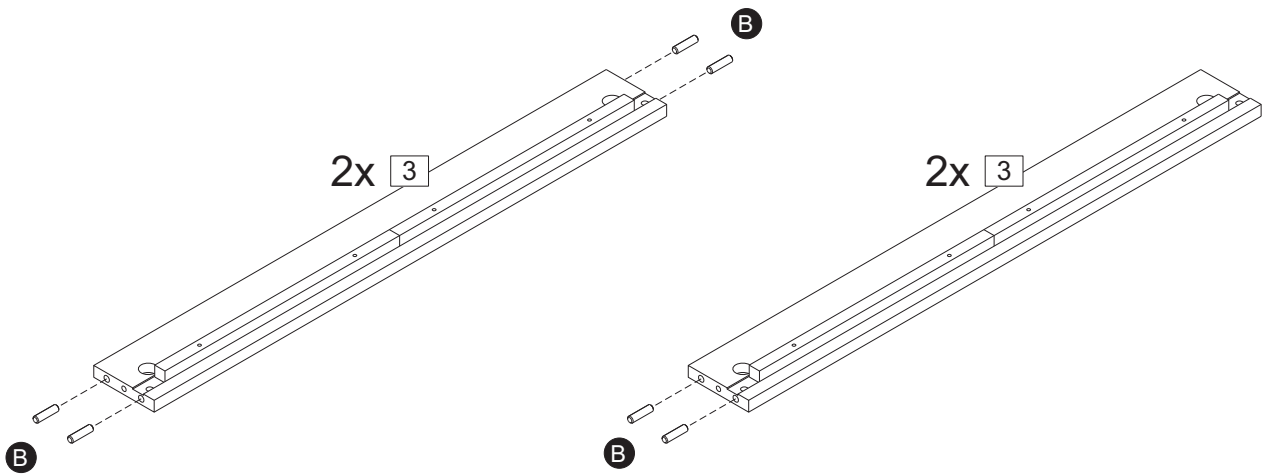


Step 3: Join the support legs (11) to the centre rail using hardware H and Q.
DO NOT use any power tools as this may damage the frame and will invalidate any claim.



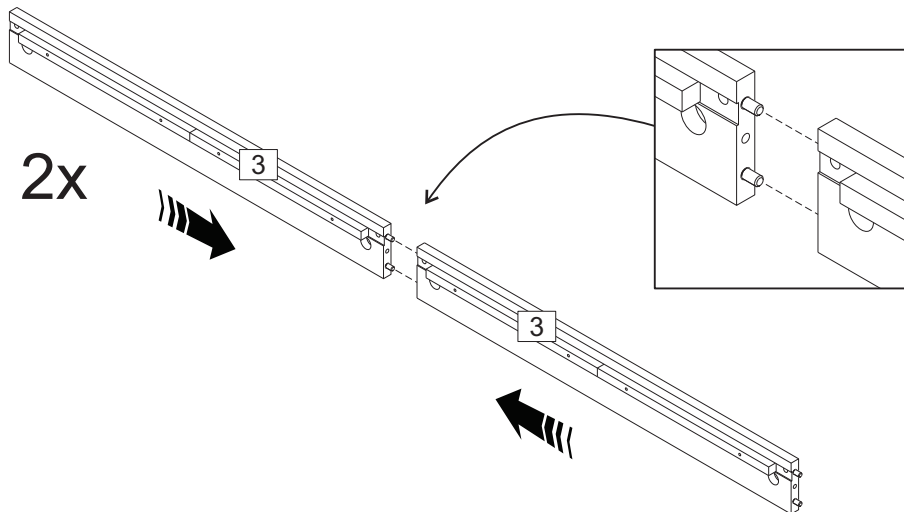
Step 4: Insert hardware part B to the side rails (3) using a small mallet (not provided).

Vendor: S000238

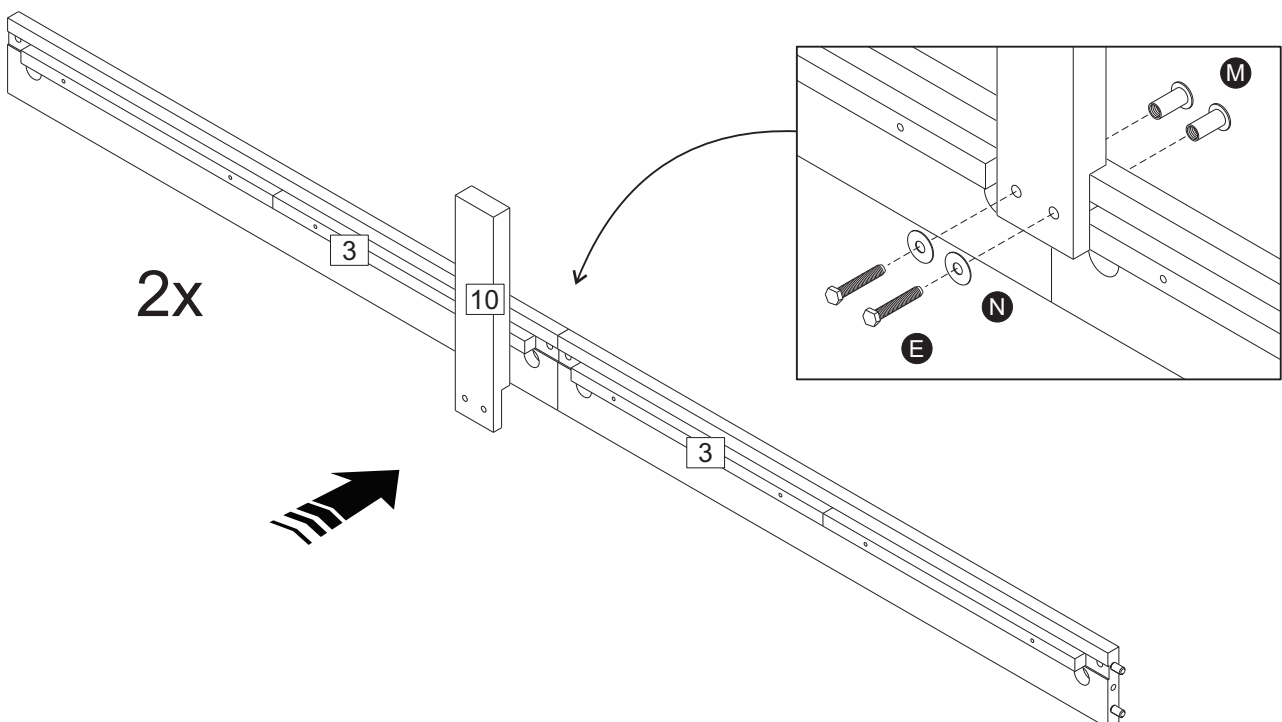


Step 5: Insert the dowels B into both siderails as per the drawing.

Please note that the support for the slats must be pointing up and the holes must be pointing outside.

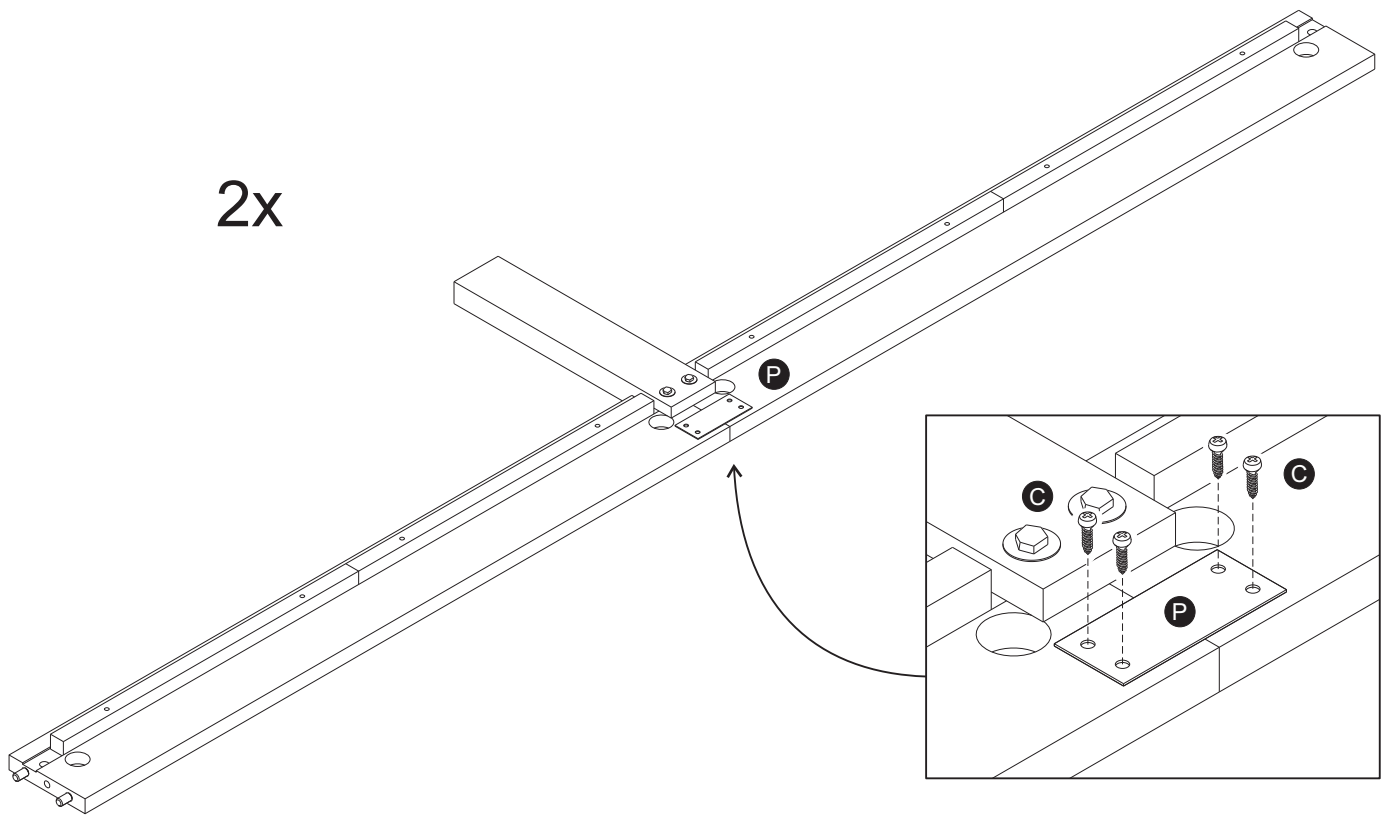


Step 6: Join the two rails (3) and attach the support leg (10) using hardware E, M, N (spanner not provided).
DO NOT use any power tools as this may damage the frame and will invalidate any claim.

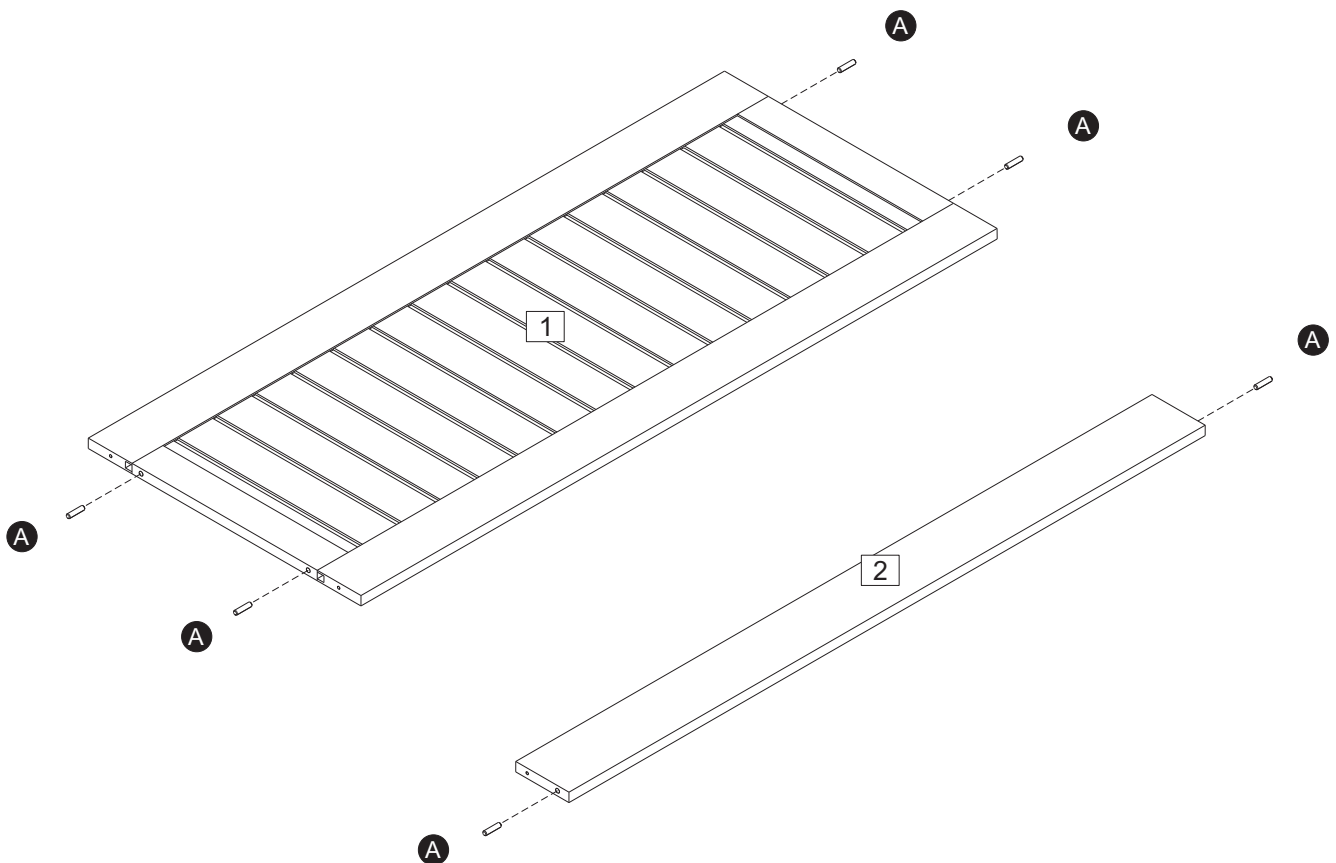


Step 7: Attach metal bracket P to the joint of the siderails using hardware C and a screwdriver (not provided) to fix them, this is for extra support.
DO NOT use any power tools as this may damage the frame and will invalidate any claim.

Vendor: S000238

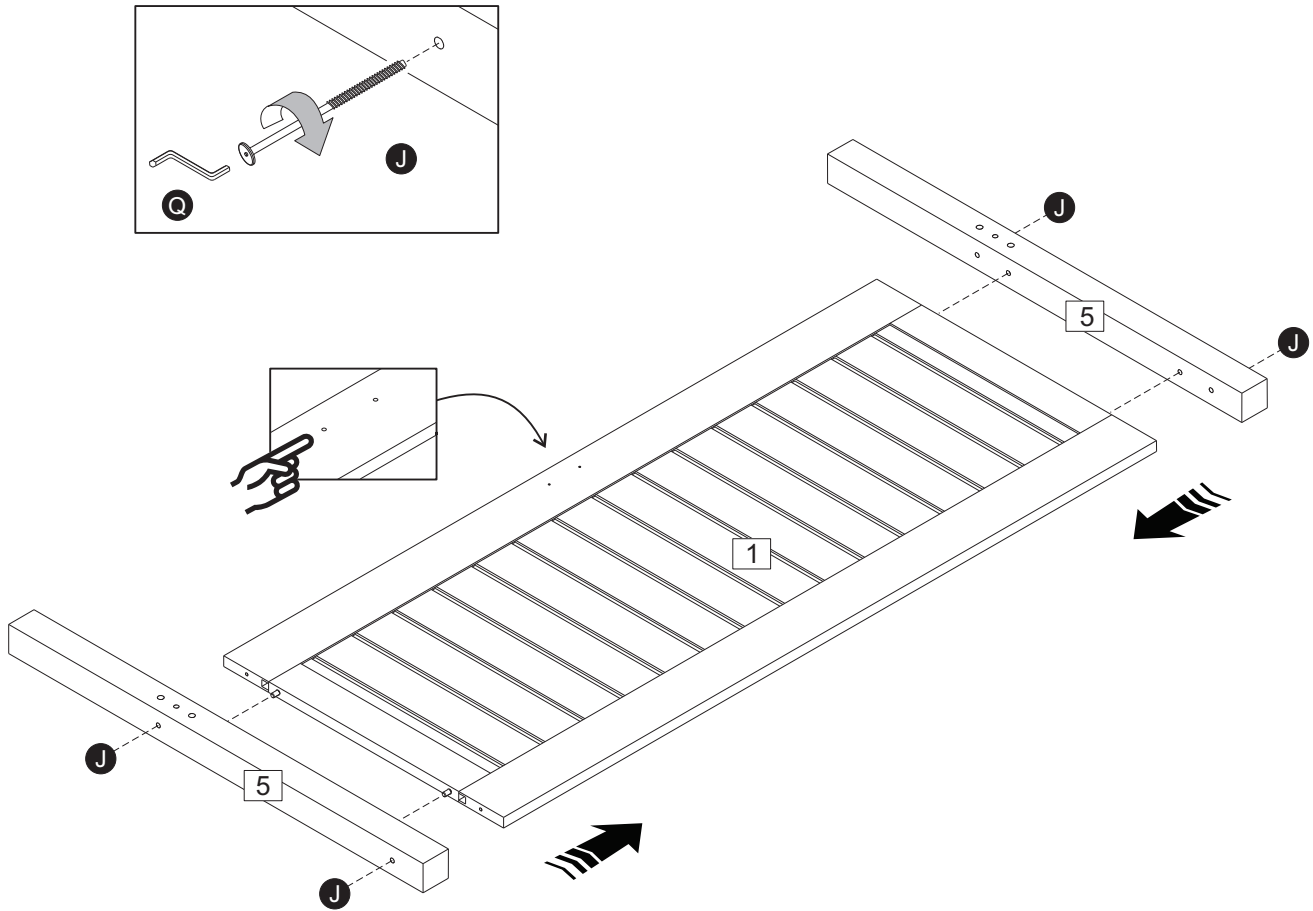


Step 8: Insert hardware part A to the headend panel (1) and footend panel (2) using a small mallet (not provided).

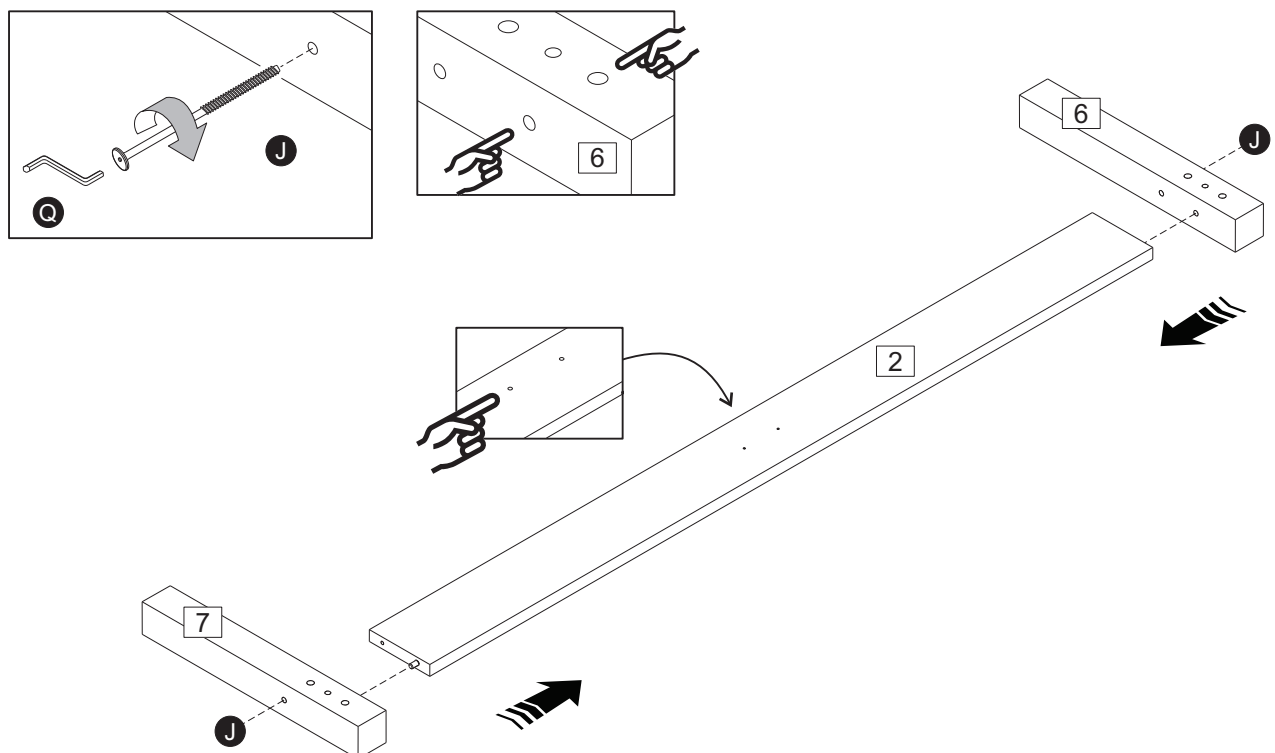


Step 9: Attach the headend post (5) to the headend panel (1) using hardware parts J and Q.
DO NOT use any power tools as this may damage the frame and will invalidate any claim.

Vendor: S000238

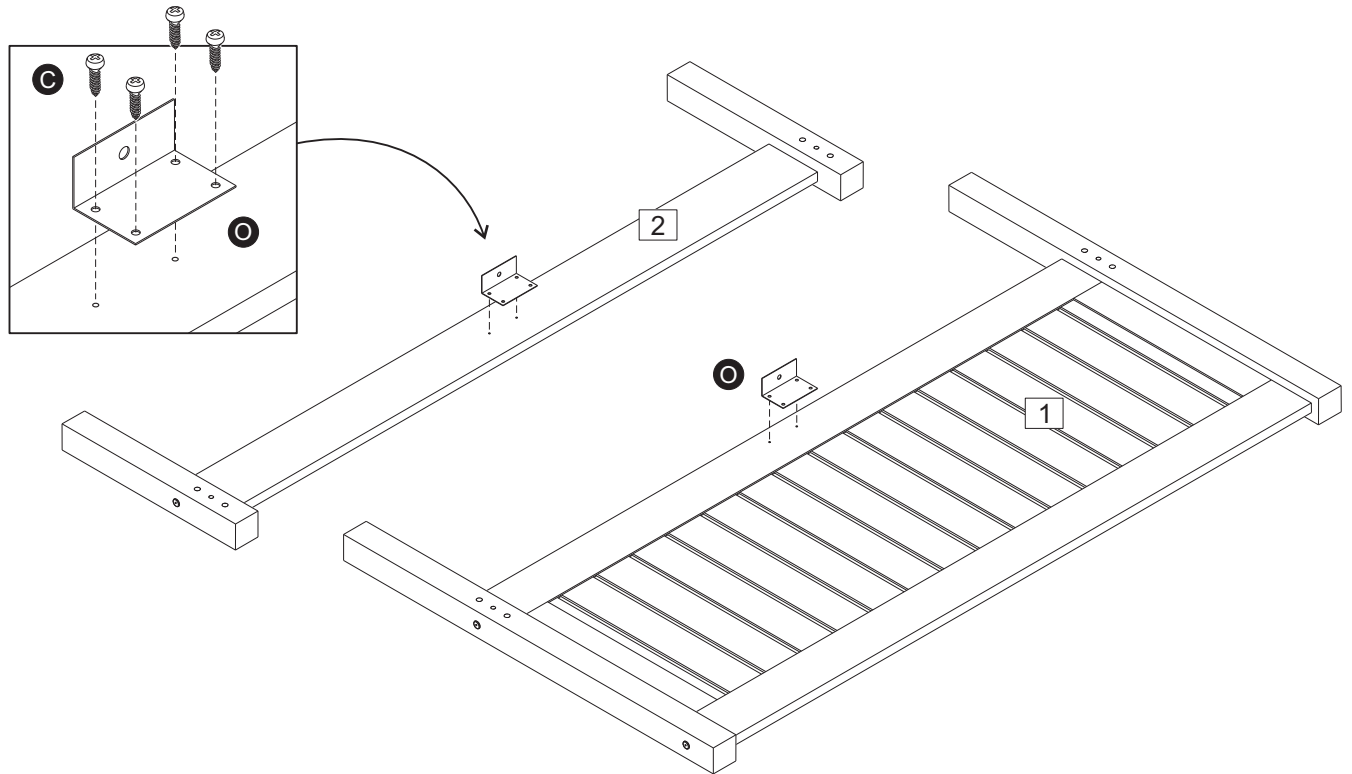


Step 10: Attach the left footend post (6) and right footend post (7) to the footend panel (2) using hardware parts J and Q.
DO NOT use any power tools as this may damage the frame and will invalidate any claim.

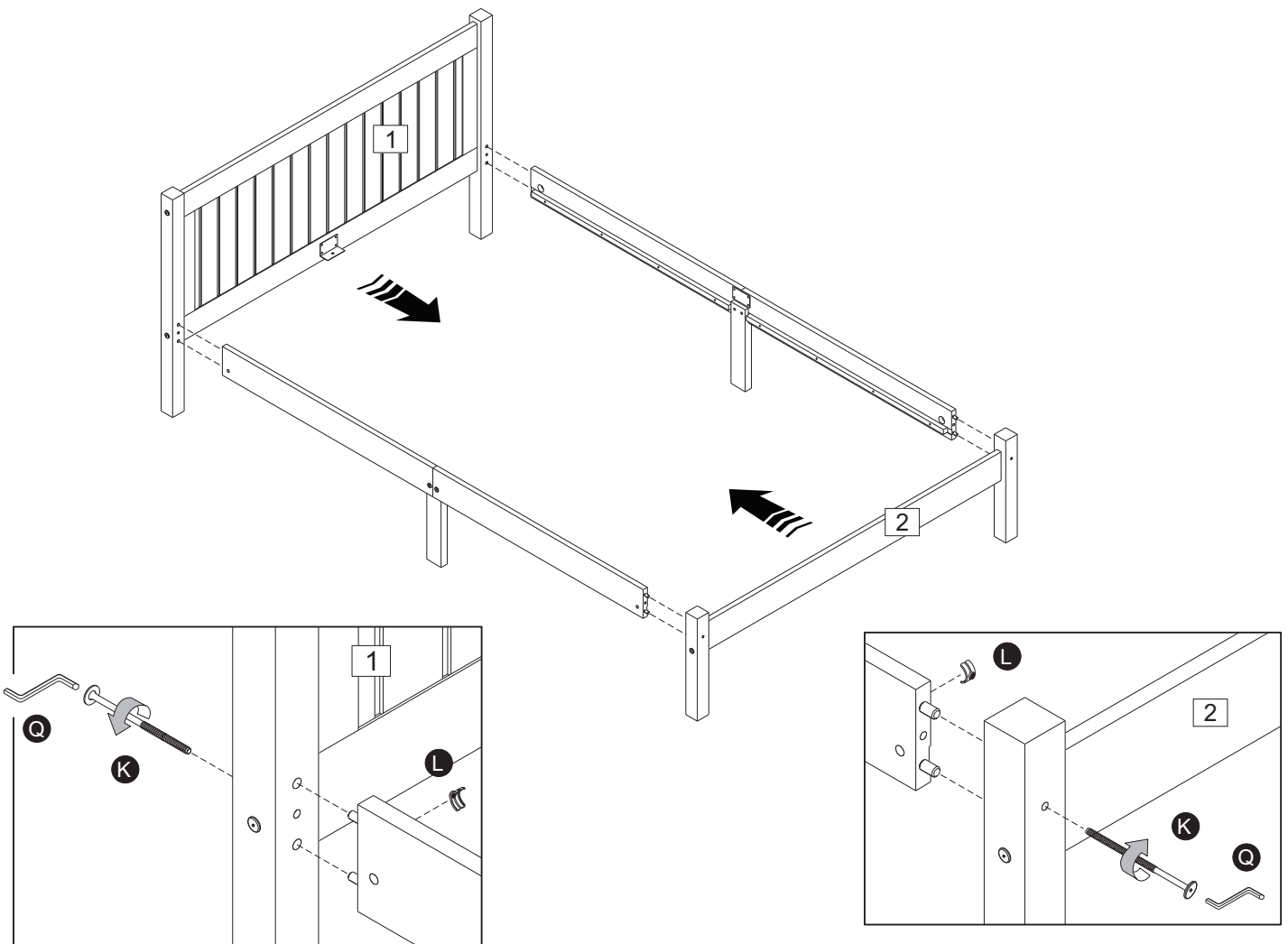


Step 11: Fix hardware part O to the headend panel (1) and footend panel (2) using hardware part C and a screwdriver (not provided).
DO NOT use any power tools as this may damage the frame and will invalidate any claim.

Vendor: S000238



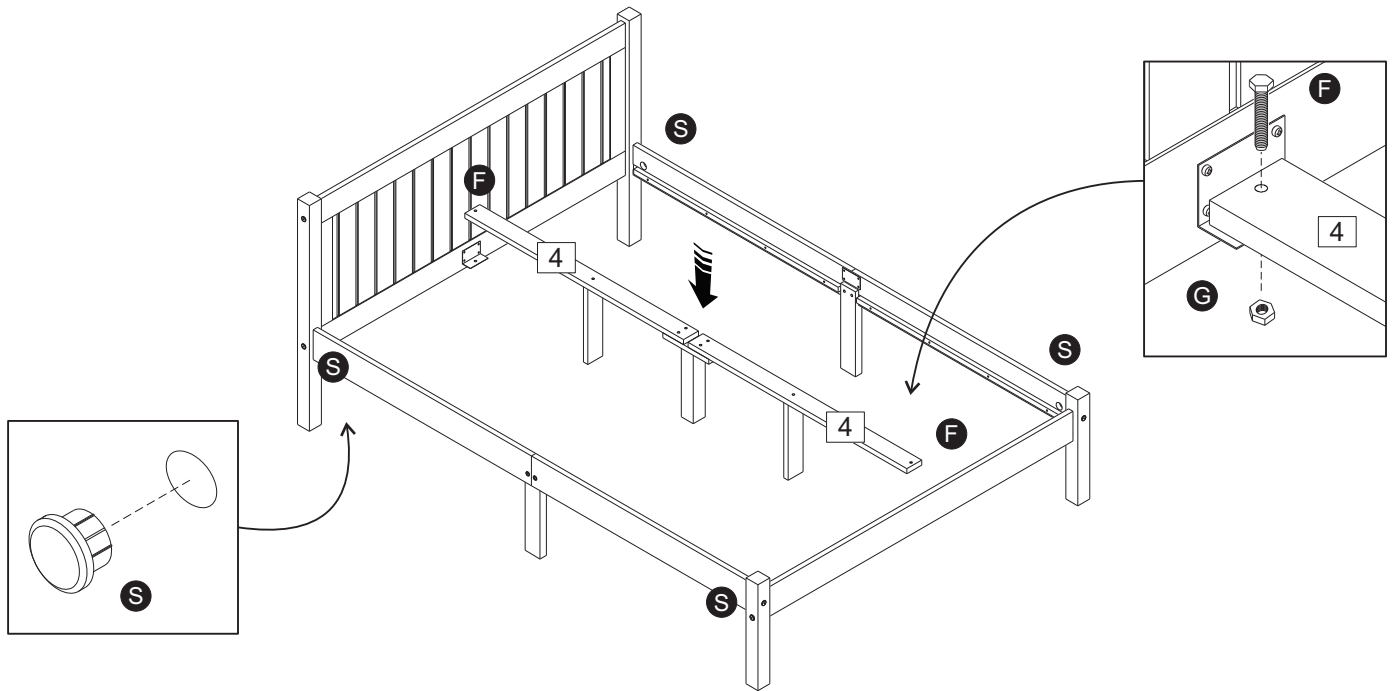
Step 12: Attach the side rails to the headend posts at the same time using hardware parts K, L and Q.
DO NOT use any power tools as this may damage the frame and will invalidate any claim.



Step 13: Fix the centre rail (4) using hardware parts F and G and a spanner (not provided).
Insert hardware part S to the side rails.

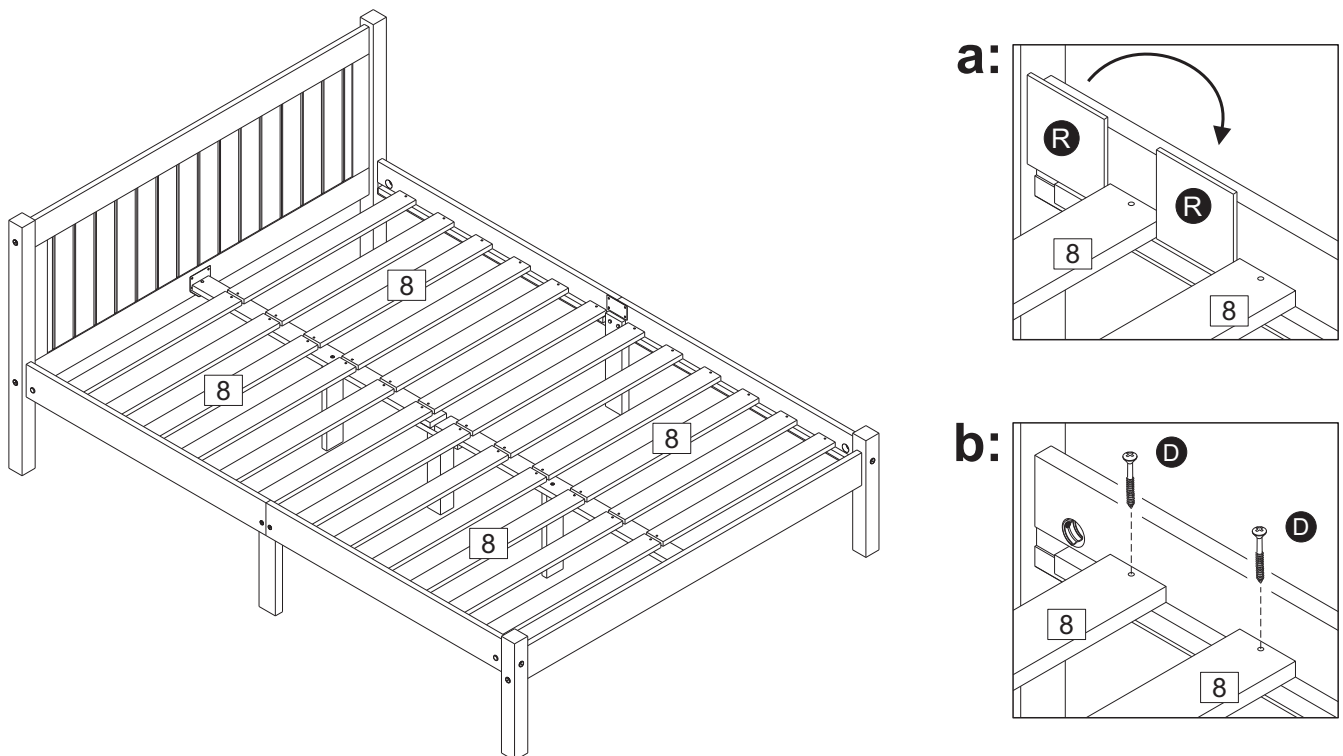
Vendor: S000238

DO NOT use any power tools as this may damage the frame and will invalidate any claim.



Step 14: Fix slats (8) to the side rails and centre rail using hardware parts R and D with a screwdriver (not provided).
Make sure to start from the ends and work towards the middle.

DO NOT use any power tools as this may damage the frame and will invalidate any claim



Additional Information:

- For complete product information, images and dimension diagrams please visit the website www.birlea.com
- If you have any issues with your item please contact the retailer directly you purchased it from who will be able to resolve any issues with Birlea.
- Why don't you send us photos of your assembled furniture to info@birlea.com to be shared in our #birleahome feature on Instagram.