

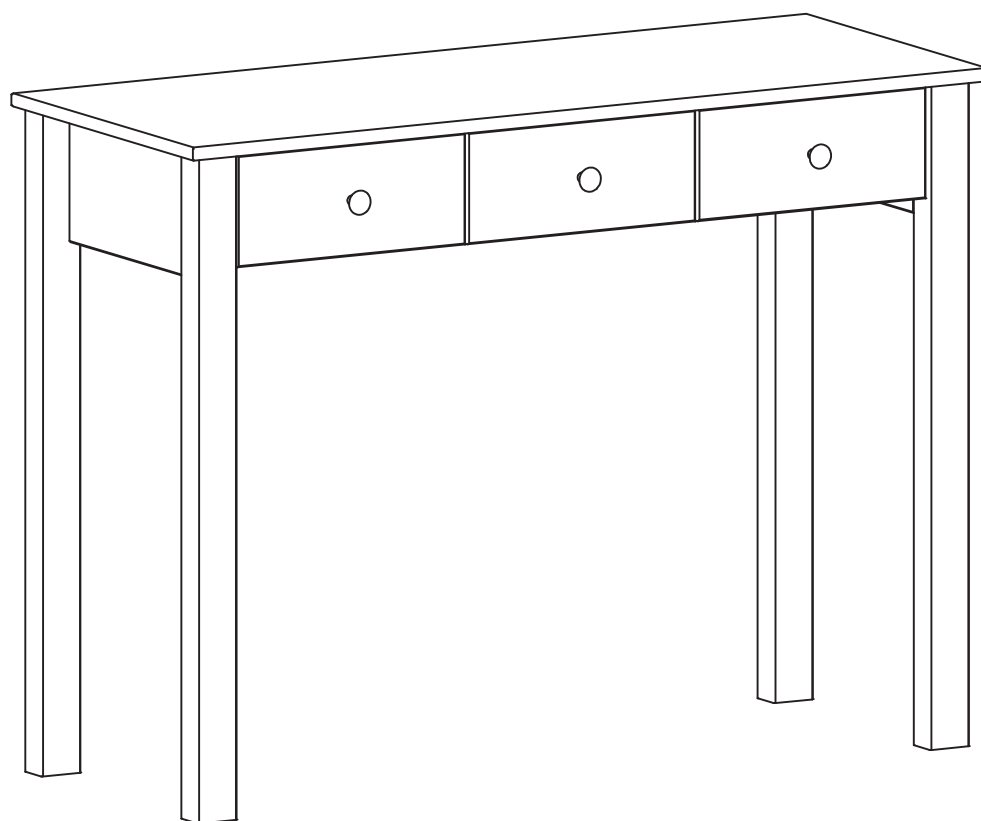
Dressing Table

Assembly Instructions - Please keep for future reference

White 1040401

Black 1040420

Soft grey 1040452



Dimensions

Width : 101.2 cm

Depth : 40.0 cm

Height: 76.0 cm

Assembly Instructions - Please keep for future reference

If you need help or have damaged or missing parts, please contact Your retailer



Safety and Care Advice

Important - Please read these instructions fully before starting assembly

- Check you have all the components and tools listed on pages 2 and 3.
- Remove all fittings from the plastic bags and separate them into their groups.
- Keep children and animals away from the work area, small parts could choke if swallowed.
- Make sure you have enough space to layout the parts before starting.

- Do not stand or put weight on the product, this could cause damage.
- Assemble the item as close to its final position (in the same room) as possible.
- Assemble on a soft level surface to avoid damaging the unit or your floor.
- Parts of the assembly will be easier with 2 people.



- We do not recommend the use of power drill/drivers **for inserting screws**, as this could damage the unit. Only use hand screwdrivers.
- Dispose of all packaging carefully and responsibly.

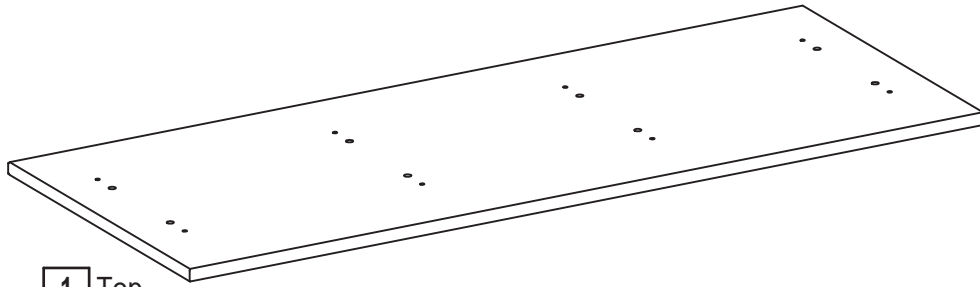
Care and maintenance

- Only clean using a damp cloth and mild detergent, do not use bleach or abrasive cleaners.
- From time to time check that there are no loose screws on this unit.
- This product should not be discarded with household waste. Take to your local authority waste disposal centre.

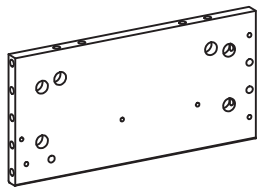
Note: if required the next page can be cut out and used as reference throughout the assembly. Keep this page with these instructions for future reference.

Components - Panels

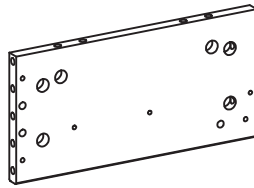
Please check you have all the panels listed below



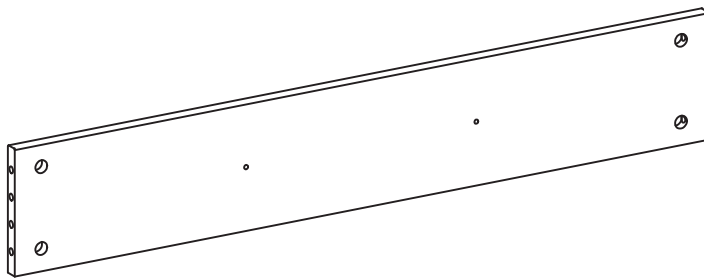
1 Top
(101,2 cm x 40 cm)



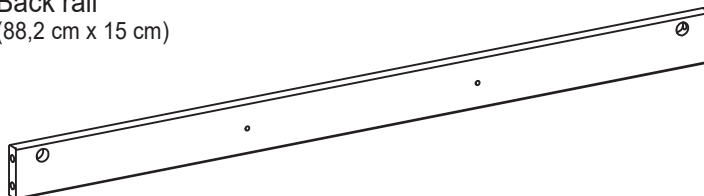
2 Side, left
(15 cm x 30,6 cm)



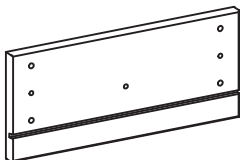
3 Side, right
(15 cm x 30,6 cm)



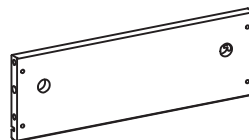
6 Back rail
(88,2 cm x 15 cm)



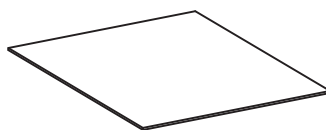
7 Front rail
(88,2 cm x 6 cm)



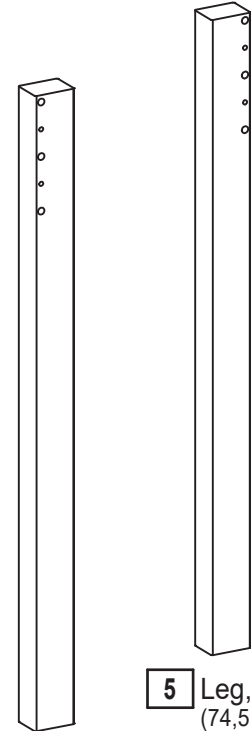
8 Drawerfront x 3
(29,0 cm x 12,5 cm)



9 Drawer side, right/left x 6
(30 cm x 9,8 cm)



11 Drawer bottom x 3
(23,8 cm x 29,7 cm)

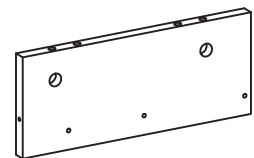


4 Leg, left x 2
(74,5 cm x 5,0 cm)

5 Leg, right x 2
(74,5 cm x 5,0 cm)



10 Drawer back x 3
(22,8 cm x 9,8 cm)



12 Divider x 2
(11,9 cm x 29,1 cm)

















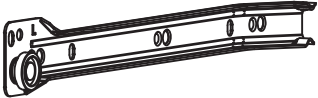
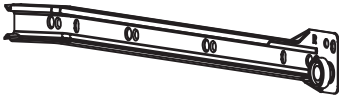


13 Safety label



Components - Fittings

Please check you have all the panels listed below

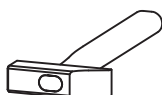
Note: The quantities below are the correct amount to complete the assembly. In some cases more fittings may be supplied than are required.

Aa  ø8 x 40mm Wooden dowel x 26	Ab  ø6 x 30mm Wooden dowel x 12	Bo  ø3 x 12mm Screw x 12
Bp  ø3 x 35mm Screw x 12	Ca  ø15 x 10.5mm Cam x 28	Cp  ø5 x 11, cc34mm Bolt x 28
Dj  ø5 x 38mm Screw x 4	Fh  Wall strap and instruction x 1	Fi  Back fitting w. ø3.5 x 15mm Screw x 6
Ge  ø27 x 24mm Metal Knob x 3		Hd  M4 x 20mm Screw x 3
Kb  ø5.8 x 8mm Screw x 12	Kf  ø5.8 x 19mm Screw x 6	Nu  ø18 x 9mm Spacer x 6
CL  300mm Drawer runner, left, side x 3	CR  300mm Drawer runner, right, side x 3	
DL  300mm Drawer runner, left x 3	DR  300mm Drawer runner, right x 3	

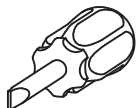
Tools required



Phillips screwdriver
(Medium & large)

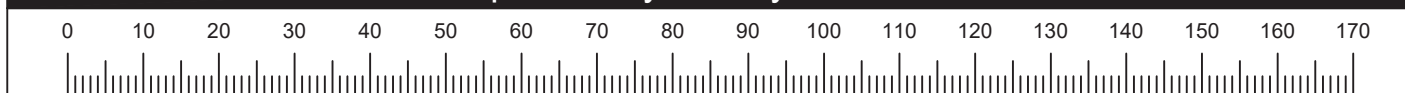


Hammer



Flatblade screwdriver
(Medium)

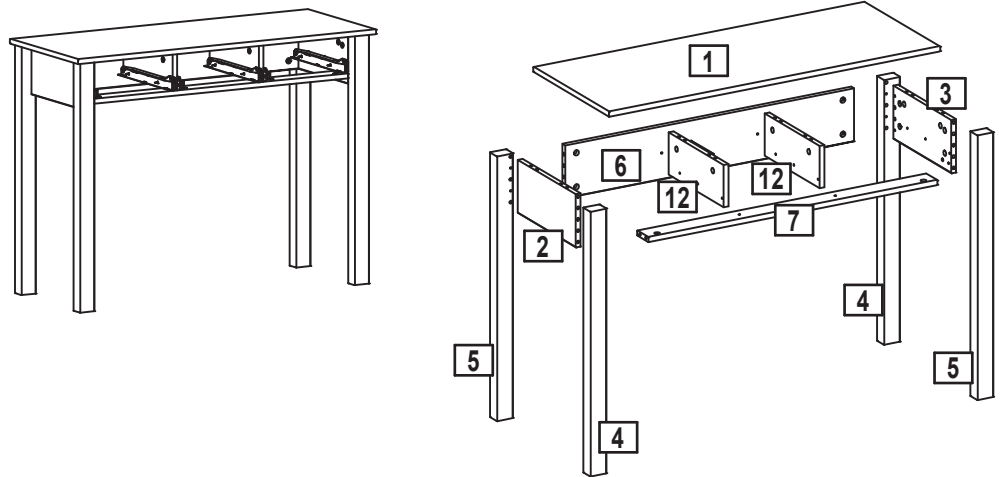
Ruler - Use this ruler to help correctly identify the screws



Assembly Instructions

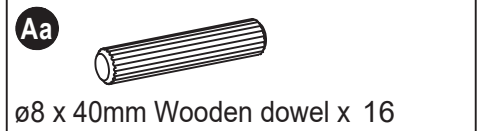
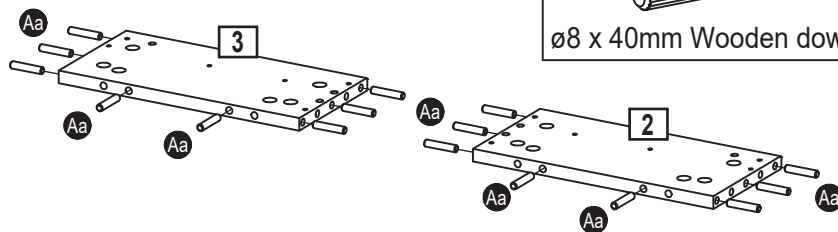
Step 1

Assembly of the table.



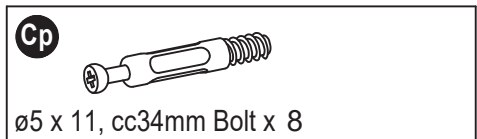
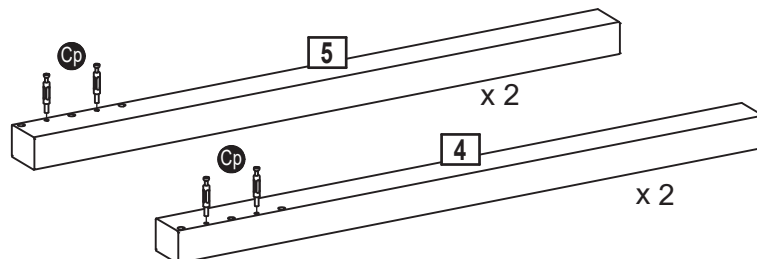
Step 1.1

Knock the dowels **Aa** into the holes indicated on the sides **2** and **3** using a small hammer.



Step 1.2

Screw the bolts **Cp** into the holes indicated on the legs **4** and **5**.

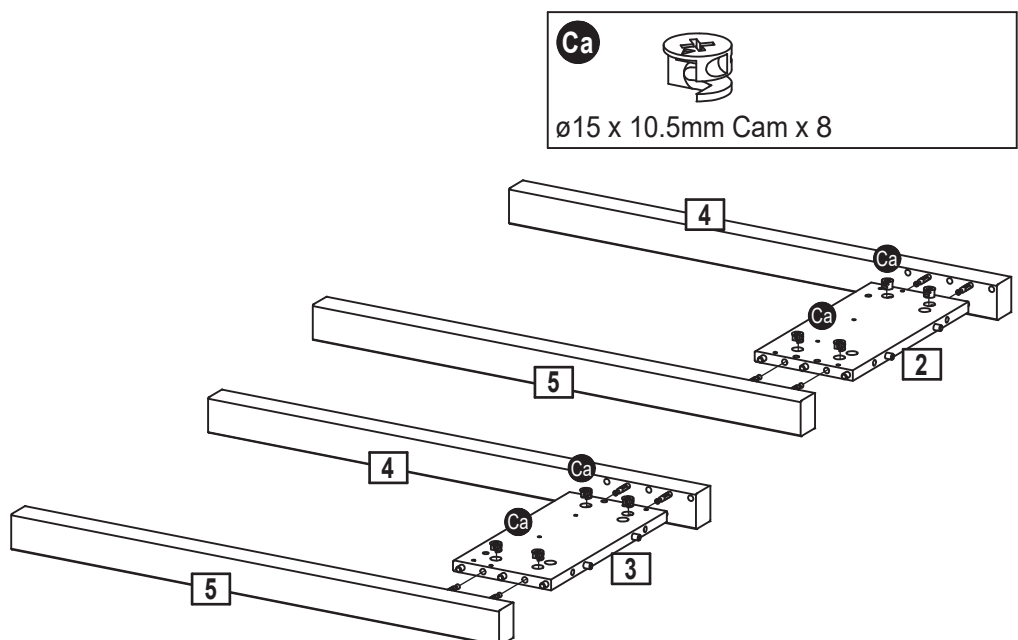


Step 1.3

Place the legs **4** and **5** onto the sides **2** and **3**.

Push cams **Ca** into the holes indicated on the sides **2** and **3**.
 Arrows pointing towards the legs **4/5**.

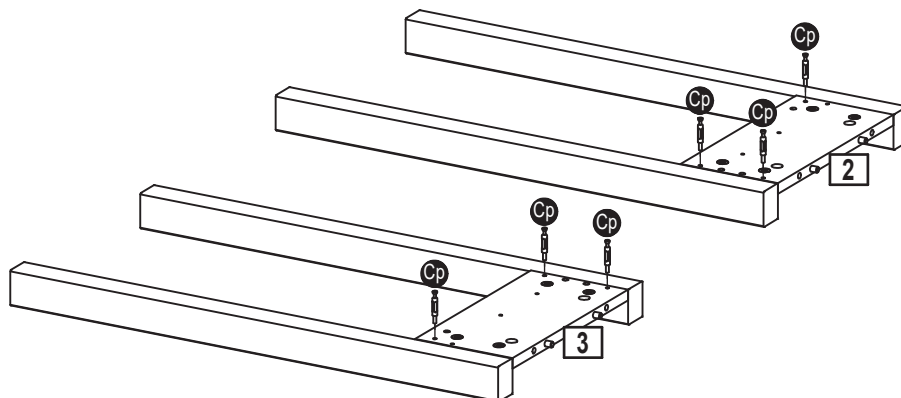
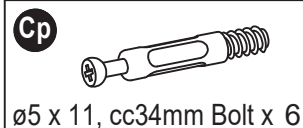
Turn the cams **Ca** to the right to fix the legs **4** and **5**.



Assembly Instructions

Step 1.4

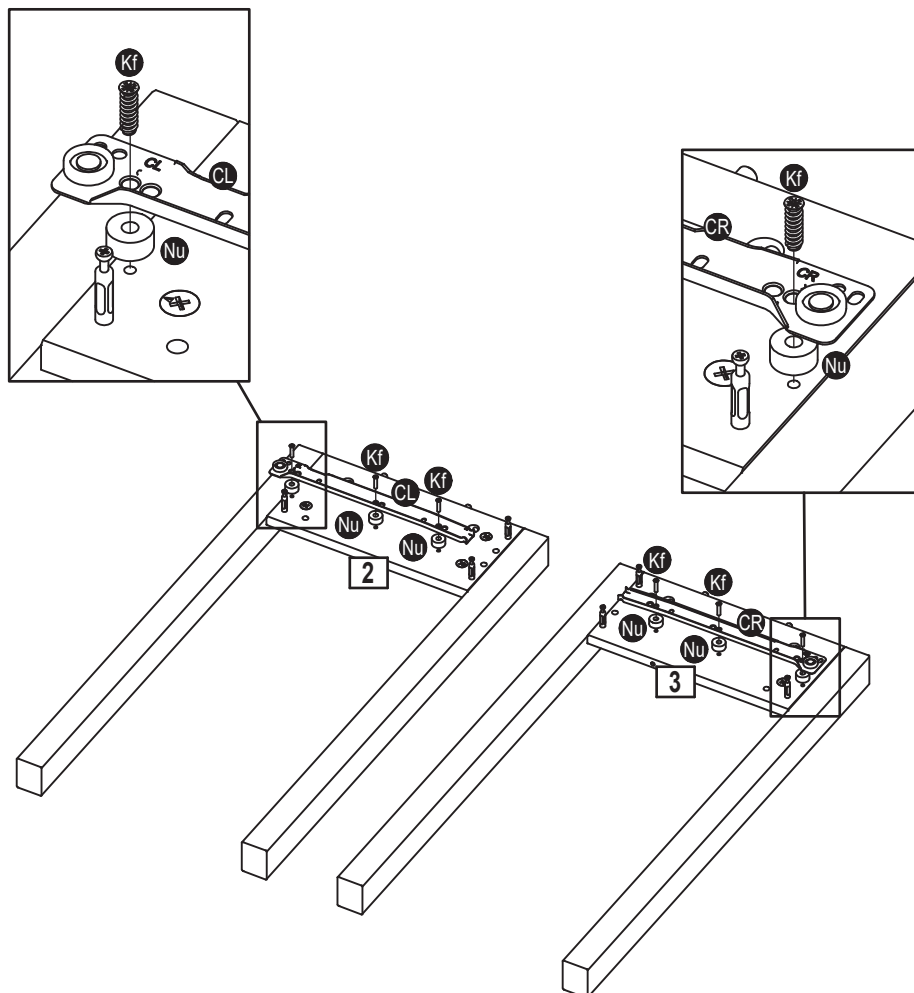
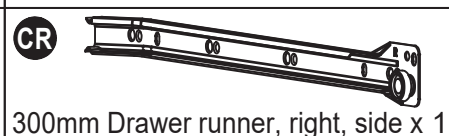
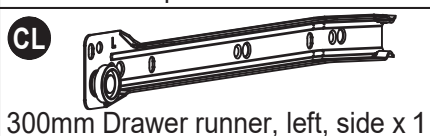
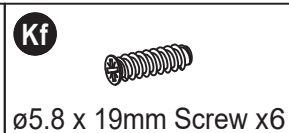
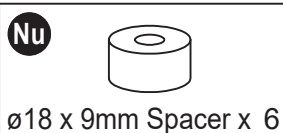
Screw the bolts **Cp** into the holes indicated on the sides **2** and **3**.



Step 1.5

Place the spacers **Nu** as shown, and fix the upper drawer runners **CL** and **CR** to the sides **2** and **3** using screws **Kf** through the holes indicated.

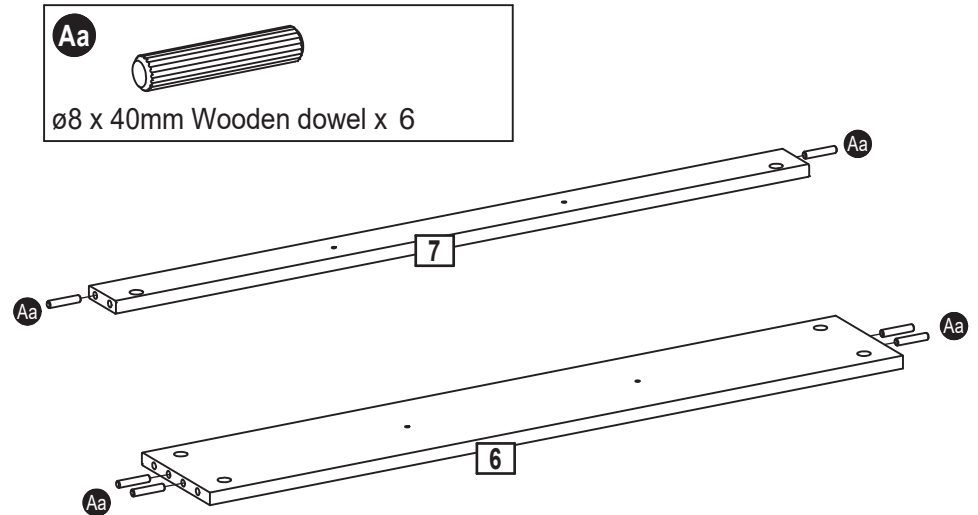
See details.



Assembly Instructions

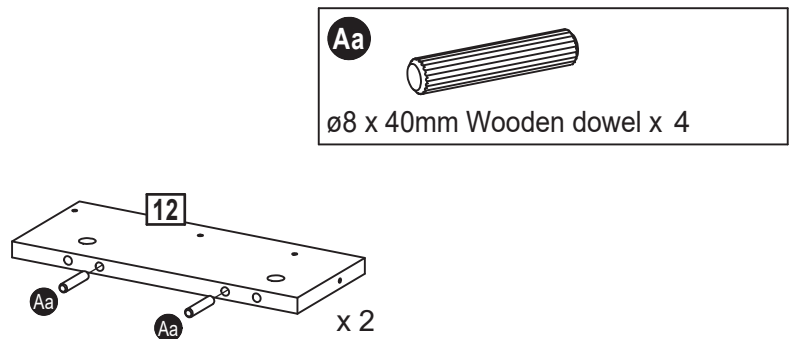
Step 1.6

Knock the dowels **Aa** into the holes indicated on the back rail **6** and the front rail **7** using a small hammer.



Step 1.7

Knock the dowels **Aa** into the holes indicated on the dividers **12** using a small hammer.

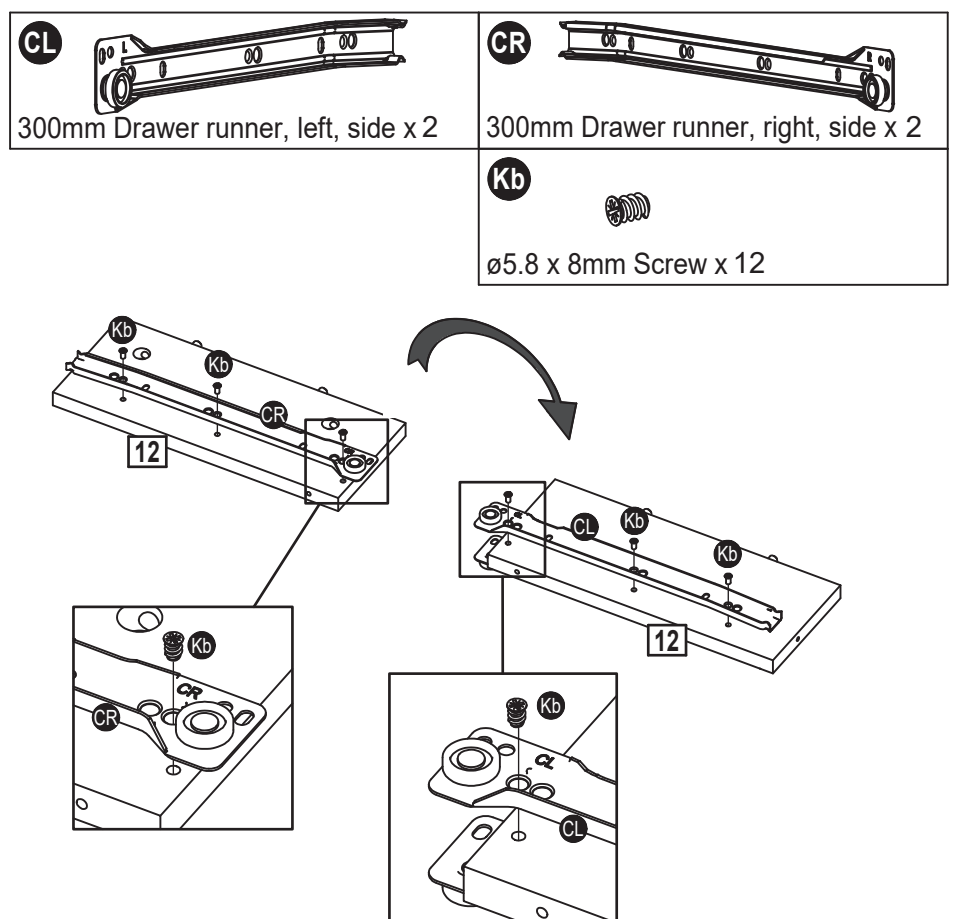


Step 1.8

Fix the drawer runners **CL** to the left hand side of the divider **12** using screws **Kb** through the holes indicated.

Turn around the divider **12** and fix the drawer runner **CR** using screws **Kb** through the holes indicated.

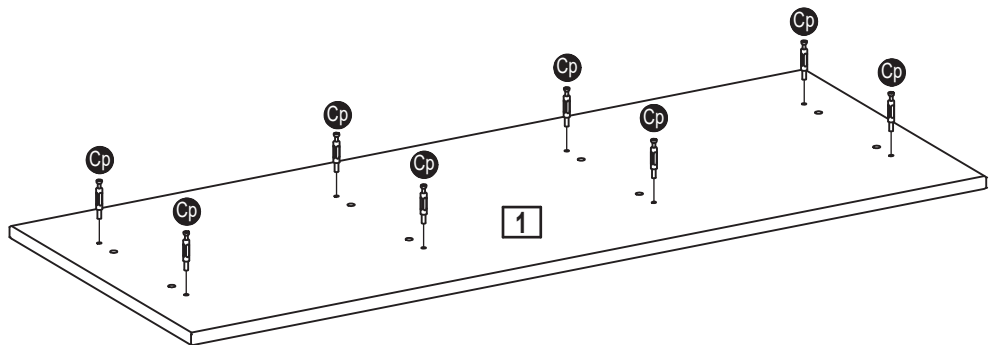
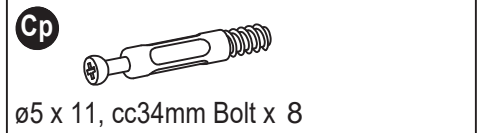
See details.



Assembly Instructions

Step 1.9

Screw the bolts **Cp** into the holes indicated on the top **1**.

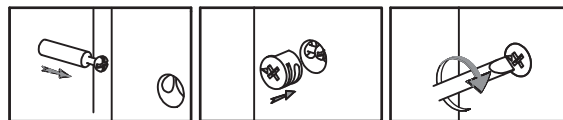
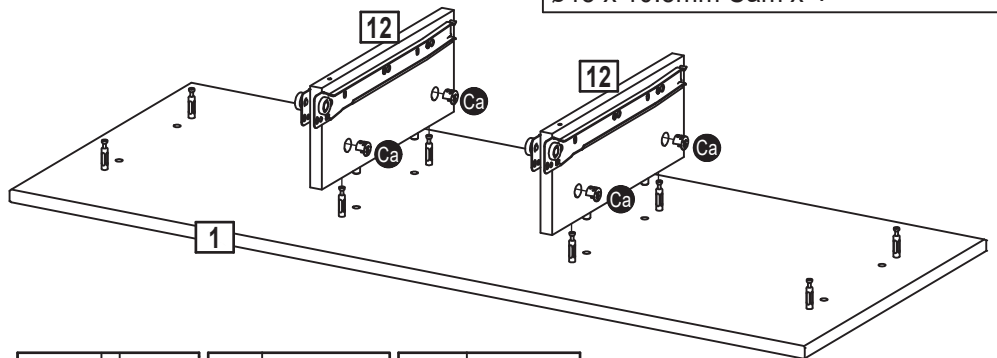


Step 1.10

Place the dividers **12** onto the top **1**.

Push cams **Ca** into the holes indicated on the dividers **12**, arrows pointing towards the top **1**.

Turn the cams **Ca** to the right to fix the dividers **12**.



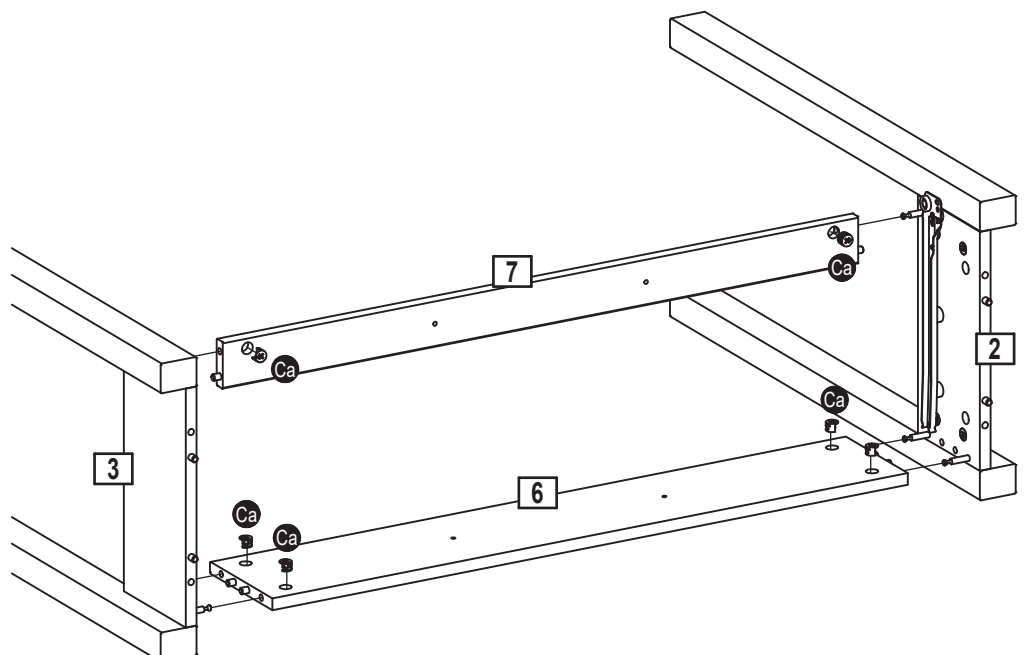
Step 1.11

Place the sides **2** and **3** onto the back rail **6** and the front rail **7**.

Push cams **Ca** into the holes indicated on the back rail **6** and the front rail **7**.

Arrows pointing towards the sides **2/3**.

Turn the cams **Ca** to the right to fix the sides **2** and **3**.



Assembly Instructions

Step 1.12

Place the sides **2** and **3** onto the top **1**.

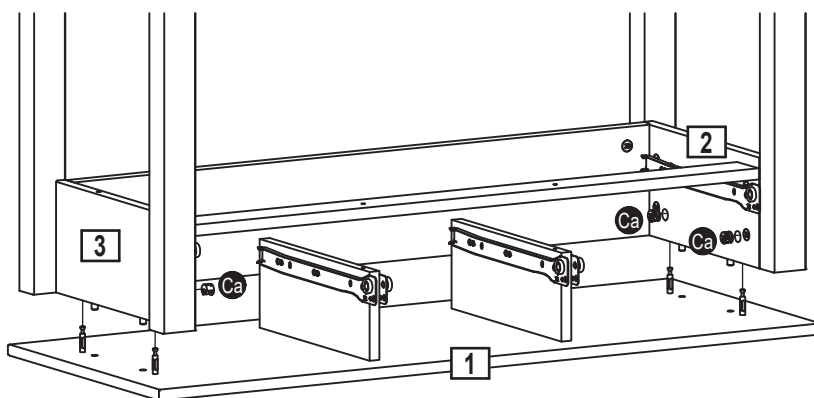
Push cams **Ca** into the holes indicated on the sides **2** and **3**. Arrows pointing towards the top **1**.

Turn the cams **Ca** to the right to fix the top **1**.

Ca



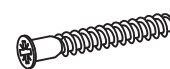
ø15 x 10.5mm Cam x 4



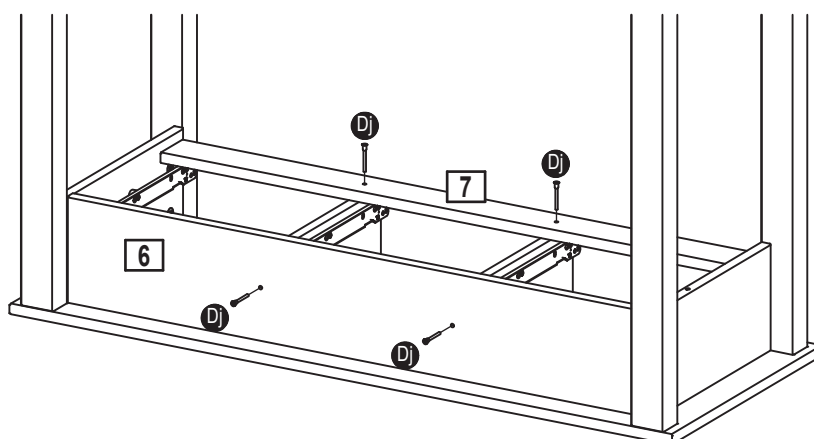
Step 1.13

Fix the back rail **6** and the front rail **7** to the dividers **12** as shown, using screws **Dj**.

Dj



ø5 x 38mm Screw x 4



Step 1.14



Important!

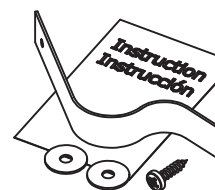
The dressing table is heavy.

Lift with care.

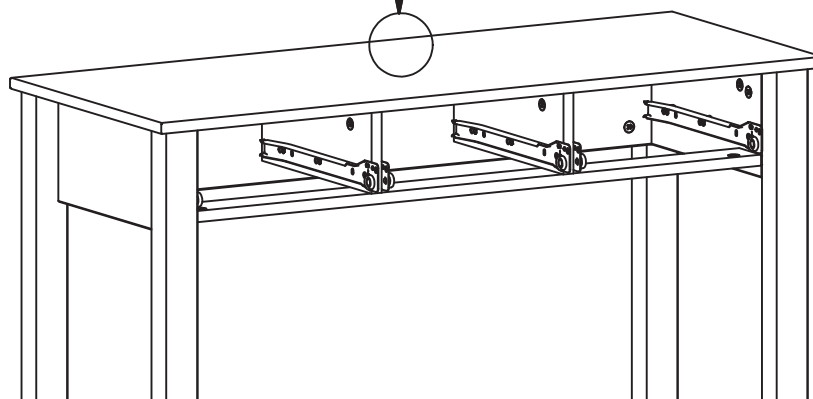
Its recommended that the dressing table is fixed to the wall.

Use the fittings **Fh**. Follow the instructions on the following pages.

Fh



Wall strap and instruction x 1

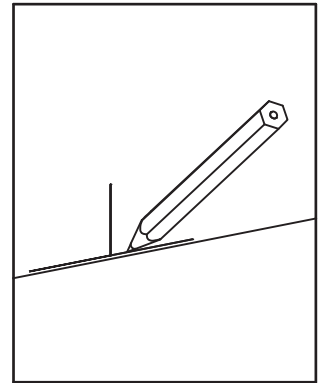
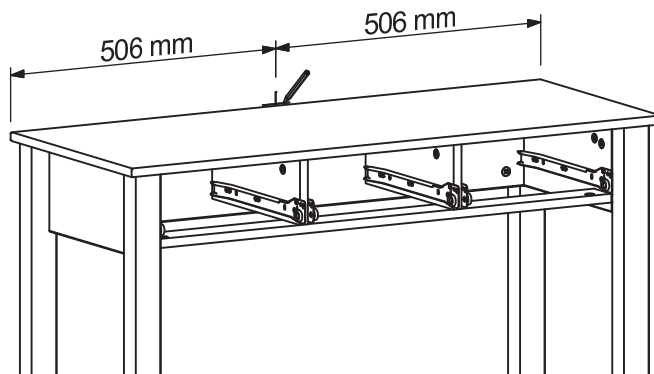


Assembly Instructions

Step 1.15

Place the dressing table up against the wall.

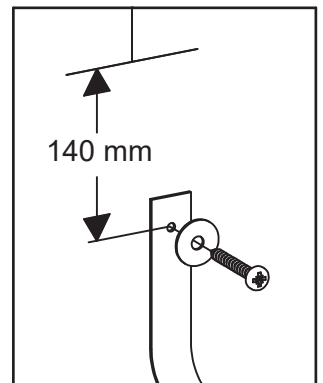
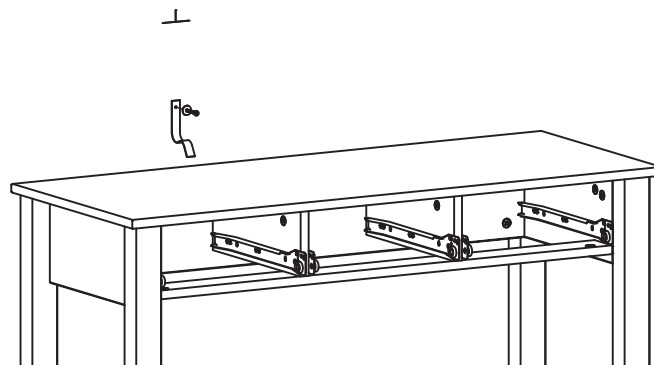
Draw a line as shown using a pencil.



Step 1.16

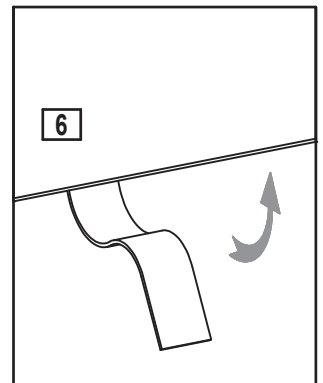
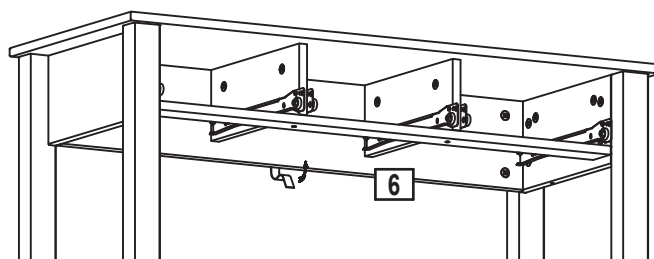
Fix the strap to the wall 140mm below the line as shown.

Note!
See next page for information on how to fix the strap to the wall. The screw and plug needed is NOT included.



Step 1.17

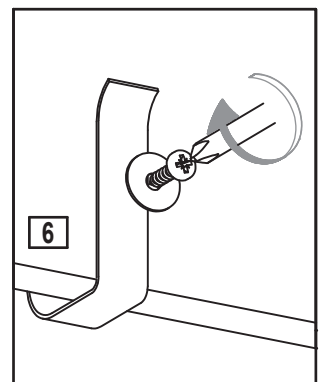
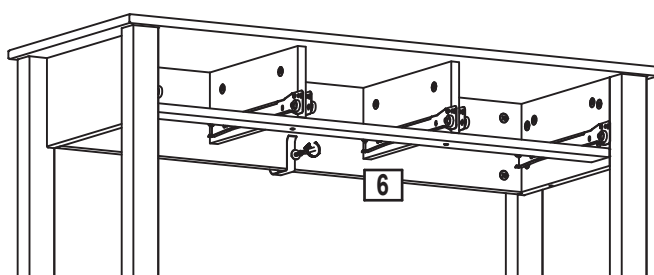
Push dressing table up against the wall.



Step 1.18

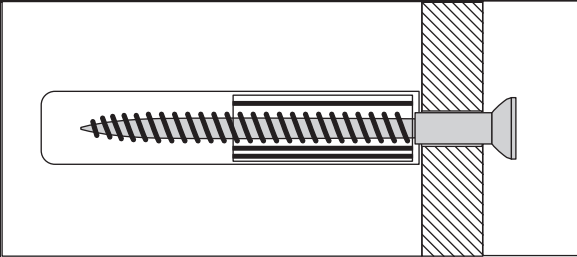
Fix the strap to the back rail **6** using the screw and washer provided.

See detail.



A Guide to


Wall Mounting & Fixings



IMPORTANT:

When drilling into walls always check that there are no hidden wires or pipes etc. Make sure that the screws and wall plugs being used are suitable for supporting your unit. Consult a qualified tradesperson if you are unsure.

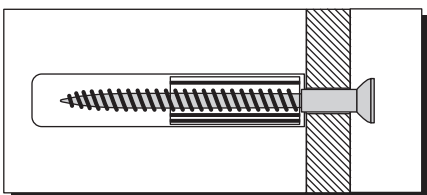
HINTS:

- 1) General Rule  Always use a larger screw and wall plug if you are not sure.
- 2) Ensure you use the recommended drill bit to match the wall plug and hole size.
- 3) Ensure you drill the hole horizontally, do not force the drill or enlarge the hole.
- 4) Take extra care when drilling high walls, ceilings and ceramic tiles. Ensure the plug is fitting below the ceramic tile to avoid splitting or cracking.
- 5) Ensure wall plugs are well fitted and are a tight fit in the drilled hole.

Types Of Walls

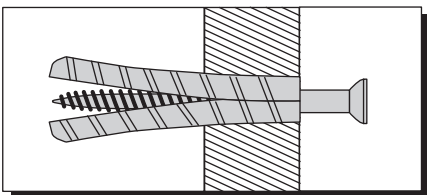
You can use one of the following types of wall plug if your walls are made of brick, breeze block, concrete, stone, wood or plaster board.

No.1 "Standard" Wall Plug General Wall Materials



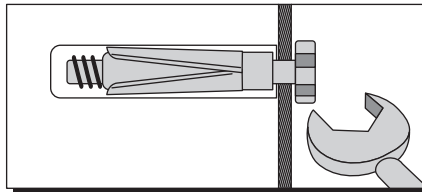
These come in various sizes and are made from plastic or sometimes wood fiber.

No.2 "General Purpose" Wall Plug Aerated / Breeze Block



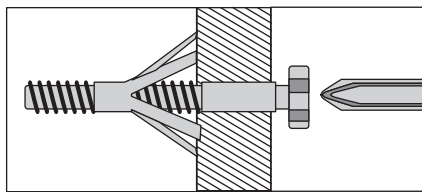
Generally aerated blocks should not be used to support heavy loads, use a specialist fitting in this case. For light loads, a General Purpose Plug can be used.

No.3 "Shield Anchor" Wall Plug Heavy Loads



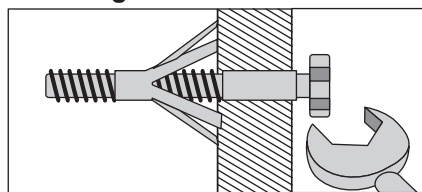
For use with heavier loads such as TV & HiFi Speakers and Satellite Dishes etc.

No.4 "Cavity Fixing" Wall Plug



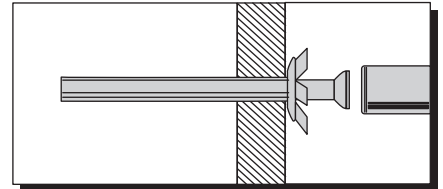
For use with plaster board partitions or hollow wooden doors.

No.5 "Cavity Fixing - Heavy Duty" Wall Plug



For use when fitting or supporting heavy loads such as shelving, wall cabinets, coat racks.

No.6 "Hammer Fixing" Wall Plug



For use with walls stuck with plaster board. The hammer fixing allows it to be fixed to the wall rather than the plaster board. Always check the fixing is secure to the retaining wall.

CARE & MAINTENANCE

SAFETY

Always check the fitting and location to ensure your safety in and around the home.

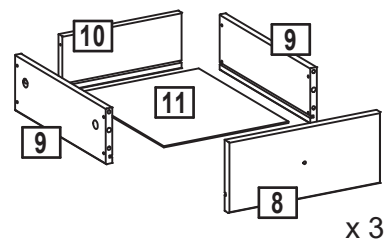
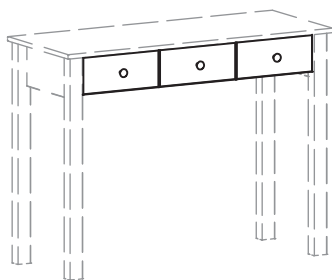
FITTING

From time to time check the fitting to ensure the wall plugs or screws do not become loose.

Assembly Instructions

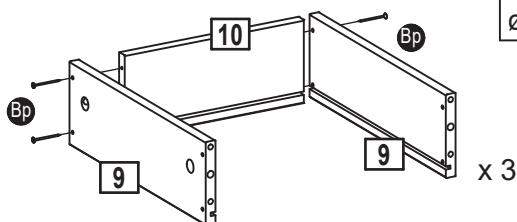
Step 2

Assembly of the drawers.



Step 2.1

Fix the drawer sides **9** to the drawer back **10** as shown, using screws **Bp**.



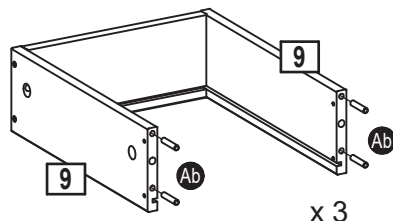
Bp



ø3 x 35mm Screw x 12

Step 2.2

Knock the dowels **Ab** into the holes indicated on the drawer sides **9** using a small hammer.



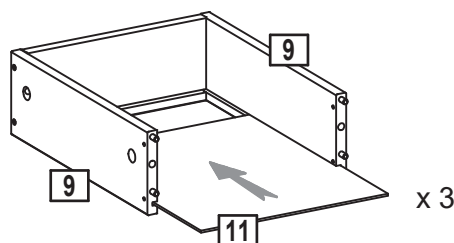
Ab



ø6 x 30mm Wooden dowel x 12

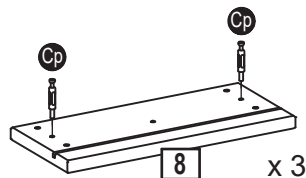
Step 2.3

Slide the drawer bottom **11** into the drawer sides **9**.



Step 2.4

Screw the bolts **Cp** into the holes indicated on the drawer front **8**.



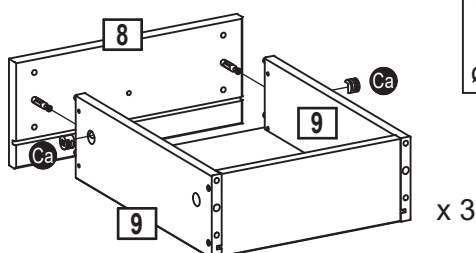
Cp



ø5 x 11, cc34mm Bolt x 6

Step 2.5

Push the drawer front **8** onto the drawer sides **9**. Place cams **Ca** into the holes indicated. Arrow pointing towards the front. Turn the cams **Ca** to the right to fix the front.



Ca



ø15 x 10.5mm Cam x 6

Assembly Instructions

Step 2.6







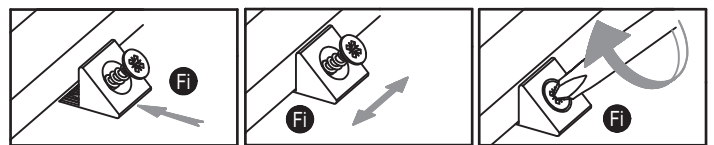
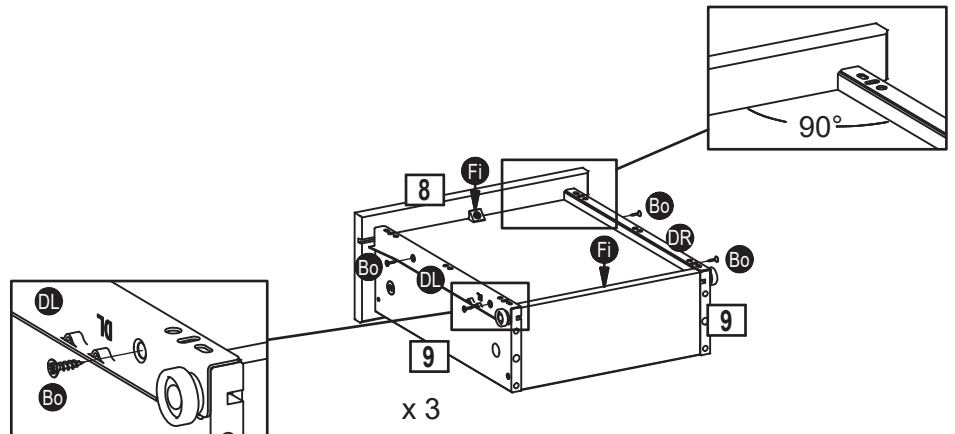
Important!

Make sure the angle between the drawer front **8** and the drawer sides **9** is 90° before the drawer bottom **11** is fixed using **Fi** as shown.

To adjust the angle between the sides and the front push the fitting **Fi** sideways.



Fix the drawer runners **DL** and **DR** to the drawer sides **9** using screws **Bo** into the holes indicated.

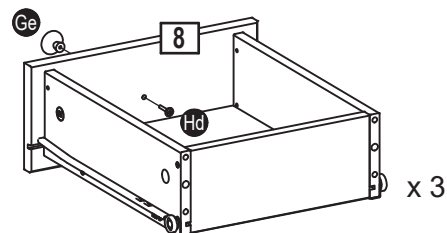
<p>Bo</p>  <p>ø3 x 12mm Screw x 12</p>	<p>Fi</p>  <p>Back fitting w. ø3.5 x 15mm Screw x 6</p>
<p>DL</p>  <p>300mm Drawer runner, left x 3</p>	<p>DR</p>  <p>300mm Drawer runner, right x 3</p>



Step 2.7

Fix the metal knobs **Ge** to the drawer front **8** using screws **Hd**.

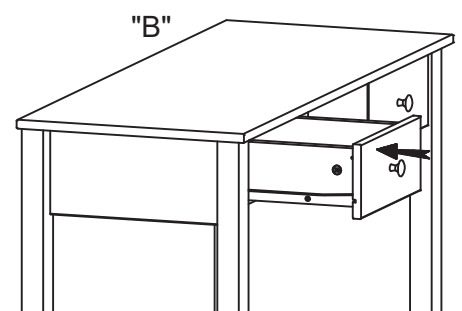
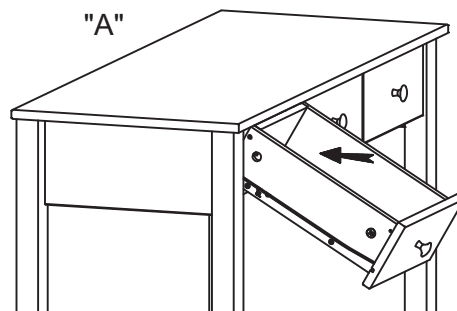
<p>Ge</p>  <p>ø27 x 24mm Metal Knob x 3</p>	<p>Hd</p>  <p>M4 x 20mm Screw x 3</p>
---	---



Step 2.8

Place the drawers on the drawer runners as shown.

It is necessary to lower the front end of the drawer when inserting it.



Assembly Instructions

Step 2.9

Remove the paper on the back of the Warning label **13** and place it inside the middle drawer as shown.

WARNING!

IN ORDER TO PREVENT OVERTURNING THIS PRODUCT MUST BE USED WITH THE WALL ATTACHMENT DEVICE PROVIDED

Serious or fatal crushing injuries can occur from furniture tipping over. To help prevent topple over:

- Use the wall attachment device provided
- Never allow children to climb or hang on drawers, doors or shelves
- Place heaviest items in the lower drawers or shelves
- Unless specifically designed to accommodate, do not set TV's or other heavy objects on top of this product
- Never open more than one drawer at a time

An attachment device is provided with your product, however you will need to source suitable fixings for your wall type. If in doubt, please consult a qualified tradesperson

Always ensure the wall to be drilled is free from hidden electrical wires, water and gas pipes.

Permanent safety label. Please do not remove.

