



Birlea

Suppliers of inspiration

Assembly Instructions

Thank you for
purchasing a
Birlea product.

For a chance to win a Love 2 Shop voucher simply post a picture of your new product on your preferred social channels tagging Birlea Furniture and using the hashtag **#ShareYourStyle** and **#Birlea**. One winner will be selected at random each month.

To view our full terms and conditions please visit www.birlea.com

Are you happy with your purchase?

Yes: That's great, we would love to hear more from you. Please leave us a review on our social media channels or Trustpilot. Your feedback will be greatly appreciated

No: If for any reason there is something missing, indifferent or incorrect with your order, please contact the retailer you purchased the item from. We will work with the retailer to resolve your issue as quickly as possible.



Berlin Fabric Bed - DOUBLE

Assembly Instructions

Before you begin...

1. Please check you have received the correct product.
2. Unpack all boxes and lay out each component on the floor.
3. Check your product for any damage that may be immediately obvious. If damage is identified, please contact your retailer.
4. Please read through these instructions thoroughly to ensure you have constructed your bed correctly.

For Care and Maintenance of your bed...

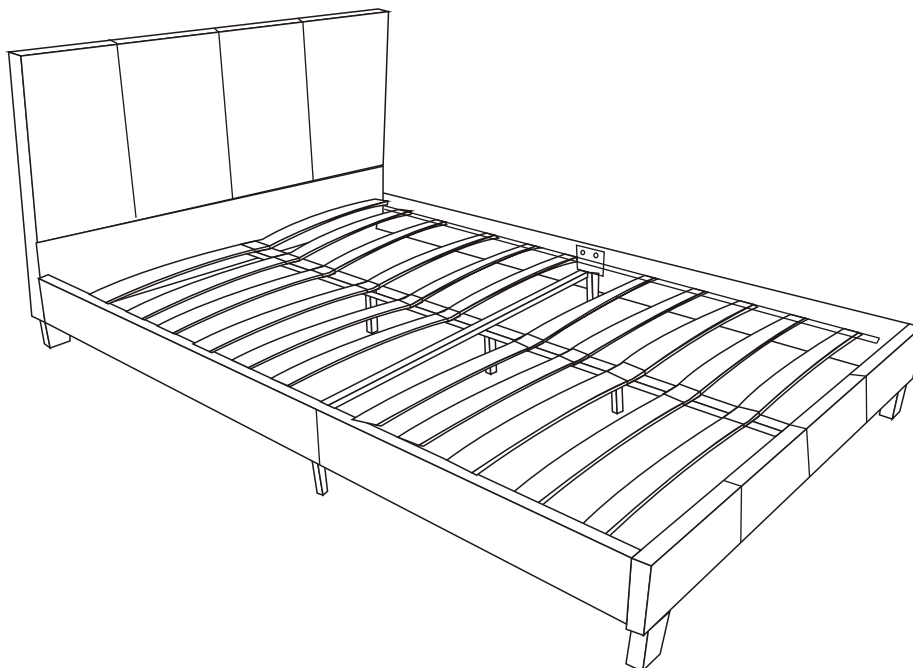
- Always assemble in your desired room of use.
- Always check all screws and fixings periodically to ensure they are still secure.
- Do not push or pull this bed as it will cause damage.
- Always lift this bed with a second person to prevent damage or injury.
- Keep any sharp objects away from this bed Frame.

For your Health and Safety...

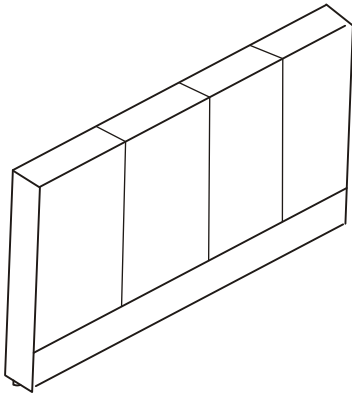
- Please don't not jump on this Bed.
- Do not use this bed if you find missing, damaged or worn parts. Please contact your retailer.
- Please do not use this bed until you have fully secured all fixings.
- Please keep all small components away from children.
- Please ensure this bed is on an even, level surface.

Also...

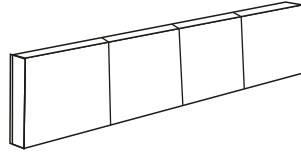
If your desired room of choice has a non-carpeted surface please ensure that you use some form of anti-slip protection and do not place directly on the wooden floor. This will prevent the bed from moving and therefore collapsing which will void your guarantee..



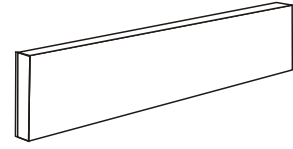
Box 1



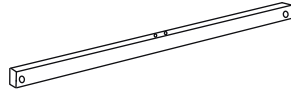
1. Headboard (x1)



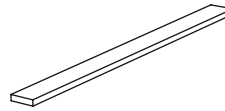
2. Footboard (x1)



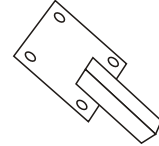
3. Side Rails (x4)



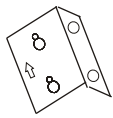
4. Cross Support Bar (x1)



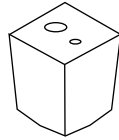
5. Slats (x24)



6. Support Legs under siderails (x2)



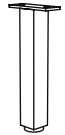
7. Connection plate (x4)



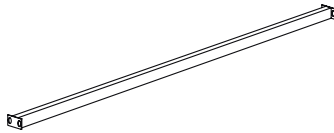
8. Legs (x4)



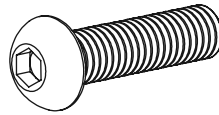
9. Side Rails support bar (x4)



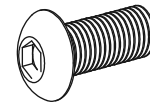
11. Support legs x (3)



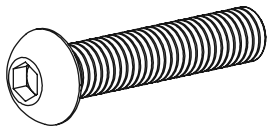
10. Centre Support Rail (x2)



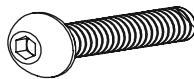
A. M8x30mm Bolts (x14)



B. M8x20mm Bolts (x16)



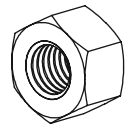
C. M8x70mm Bolts (x4)



D. M6x35mm Bolts (x12)



E. Flat Washer (X24)



N. Nuts (x8)



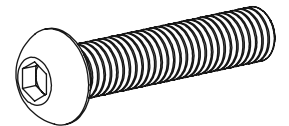
F. Spring Washer (x8)



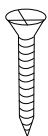
G. M5 Allen Key (x1)



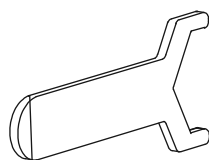
H. M4 Allen Key (x1)



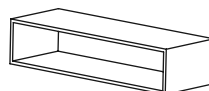
M. M8x40mm Bolts (x8)



J. Screw (x4)



I. Spanner (x1)



K. Slat Caps (x24)



L. Centre slat caps (x12)



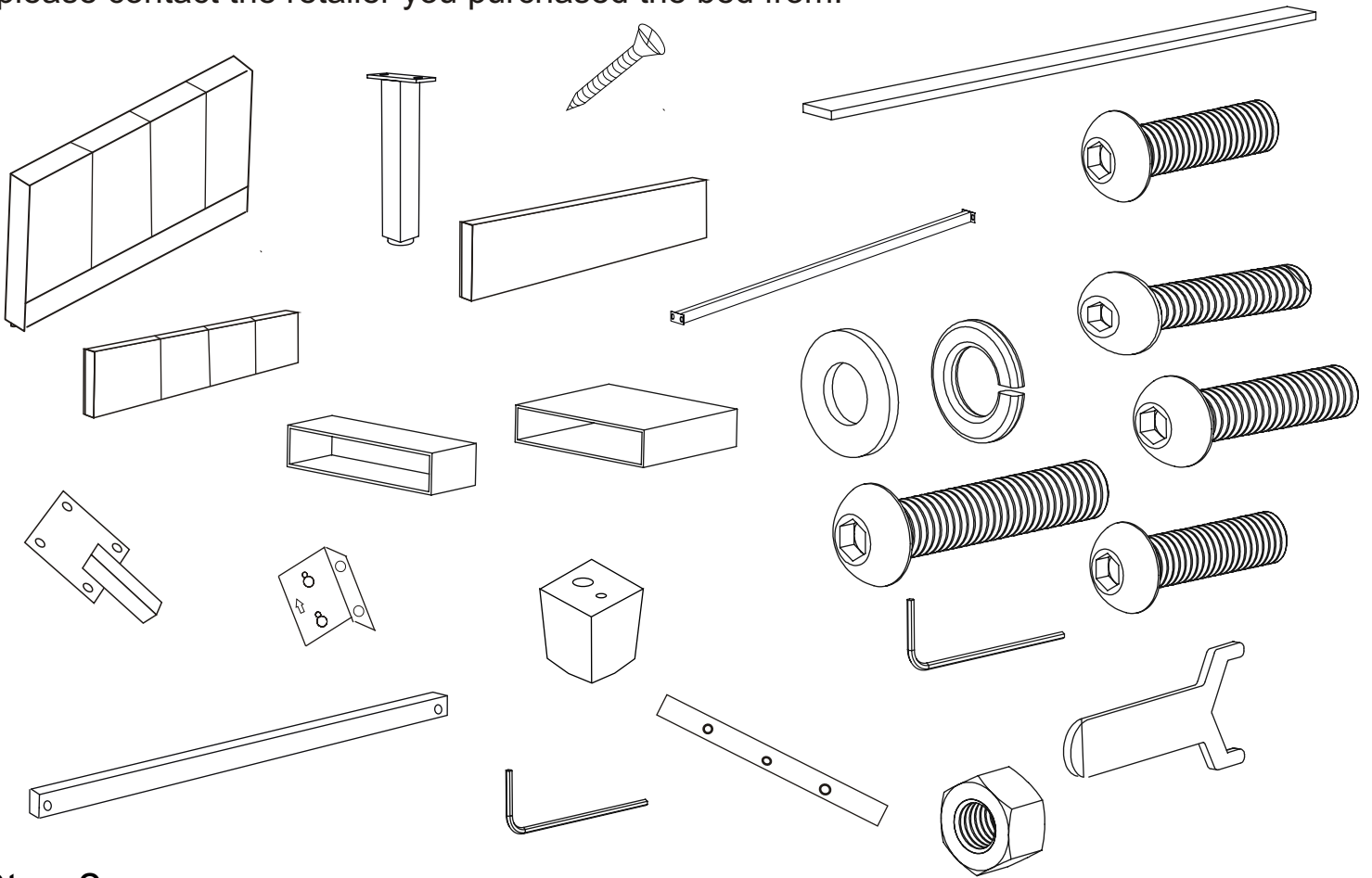
Birlea

Suppliers of inspiration



Step 1

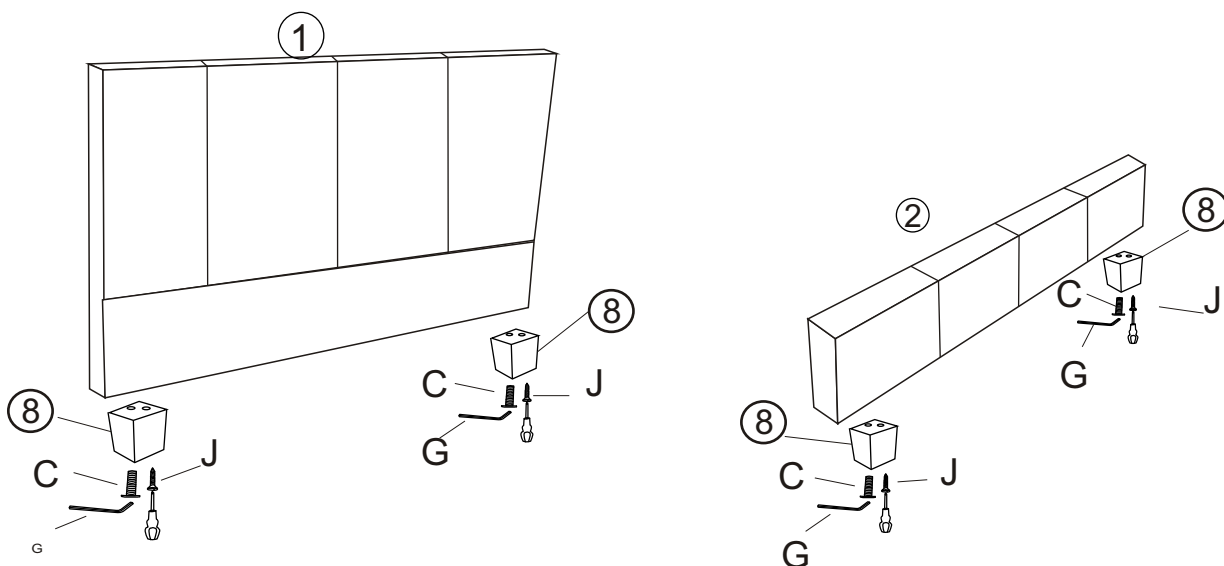
Unpack all components from the boxes and check you are not missing anything. Please check these against the list on page 3. Should you identify any missing components, please contact the retailer you purchased the bed from.








Step 2

To fix the legs (8) to the headboard (1) you will need to use hardware parts J,C and G.

To fix the legs (8) to the footboard (2) you will need to use hardware parts J,C and G



C	
M8x70mm Bolts x4	
8	
Legs x 4	
G	
M5 allen key	
J	
Screw x 4	
	
Screwdriver not provided	




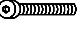


Step 3:

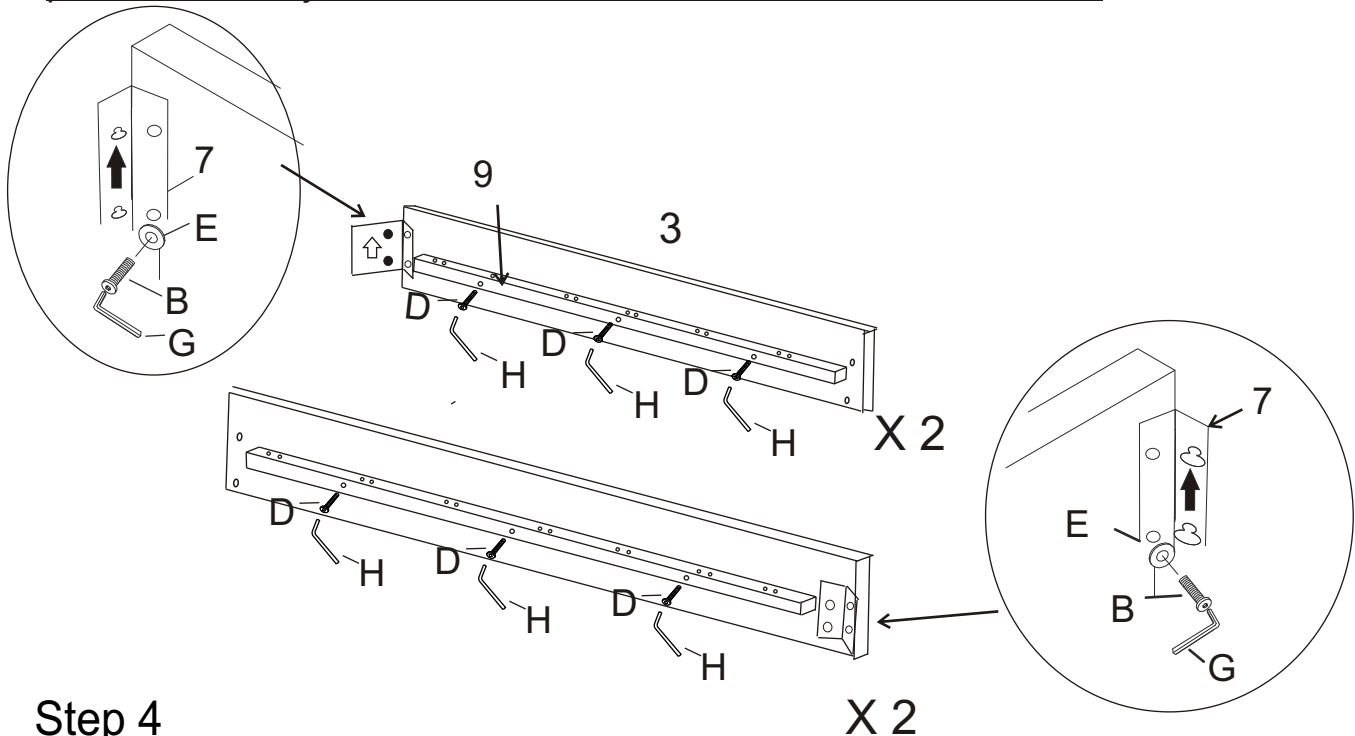
To fix side rails support bar(9)to side rails(3).

You will need to use H,D.

To fix connection plate (7) to the side rails (3) you will need to use hardware parts B, E and

G.
Please ensure the bracket is attached in the correct position. Slot holes are positioned ready to attach to the headboard and footboard.

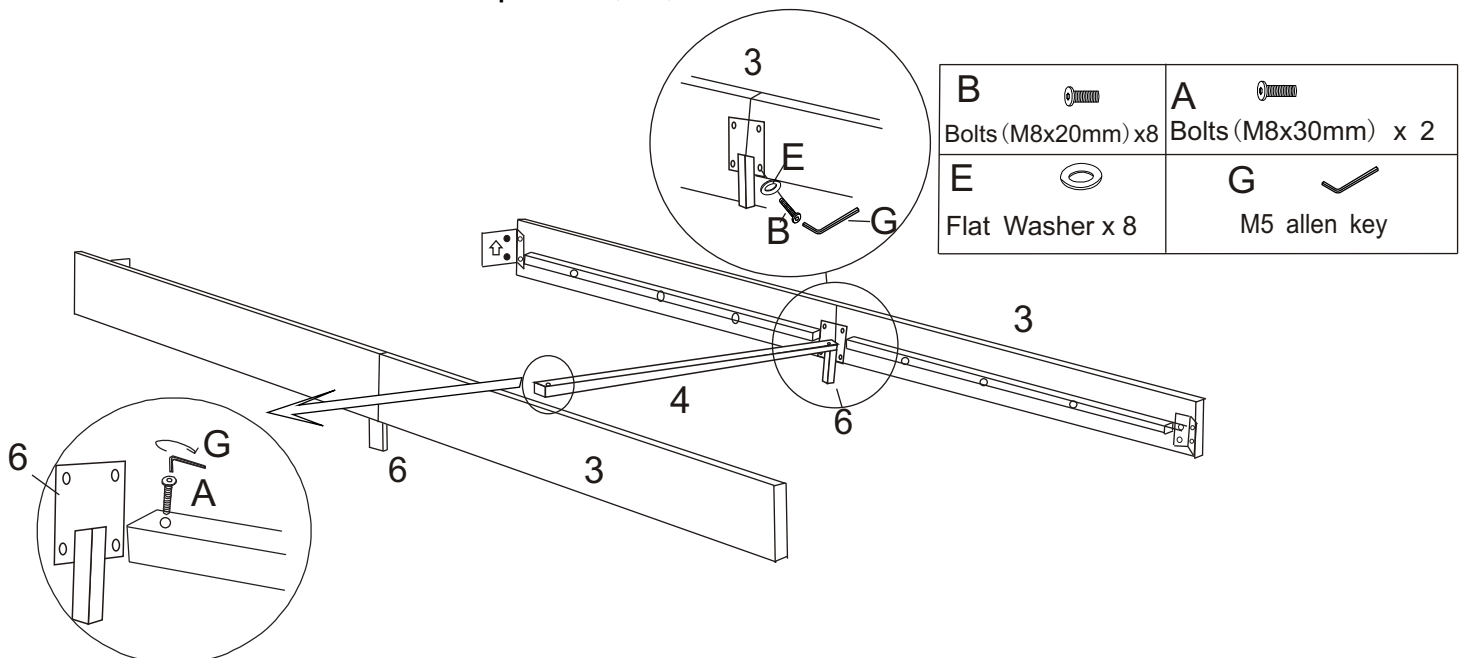
B		H	
Bolts (M8x20mm) x8		M4 Allen Key	
E		D	
Flat Washer x 8		Bolts(M6x35mm) X12	
G		7	
M5 allen key		Connection plate x 4	



Step 4

The cross support legs need to be fitted first, and then the cross bar.

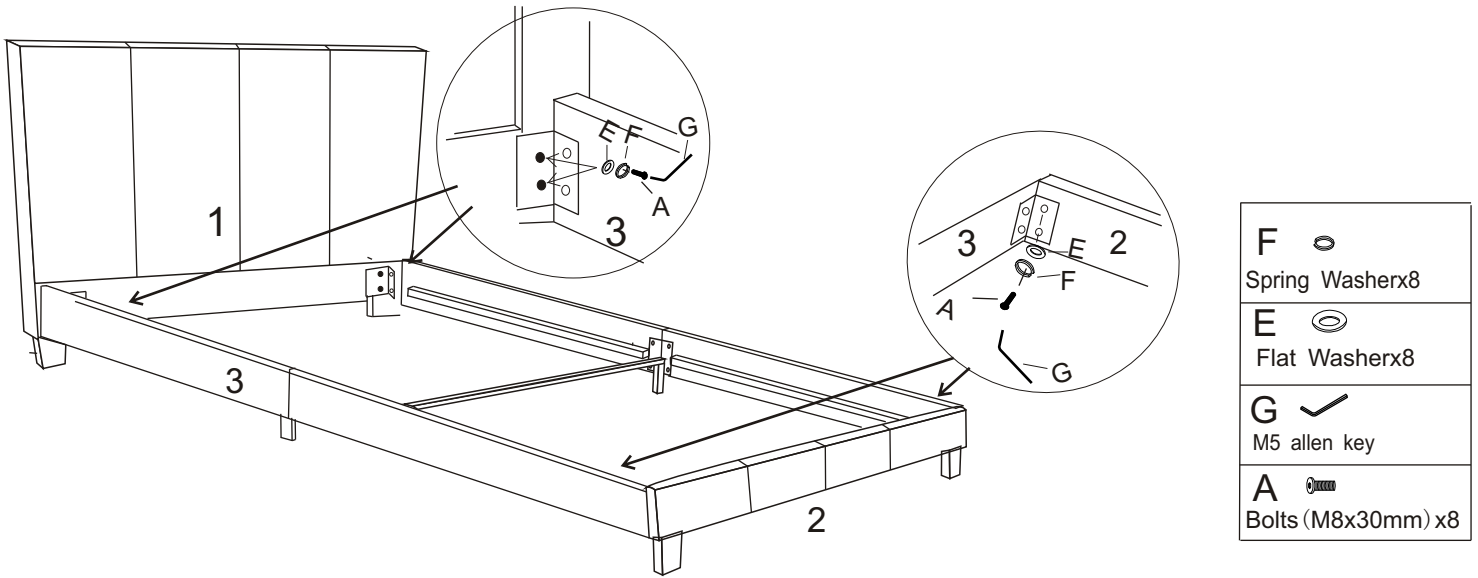
To fix cross support bar(4)and support legs under siderails(6)to the side rails (3) you will need to use hardware parts B, A, E and G.



Step 5

To attach the side rails (3) to the footboard (2) you will need to use hardware parts A, E, F and G.

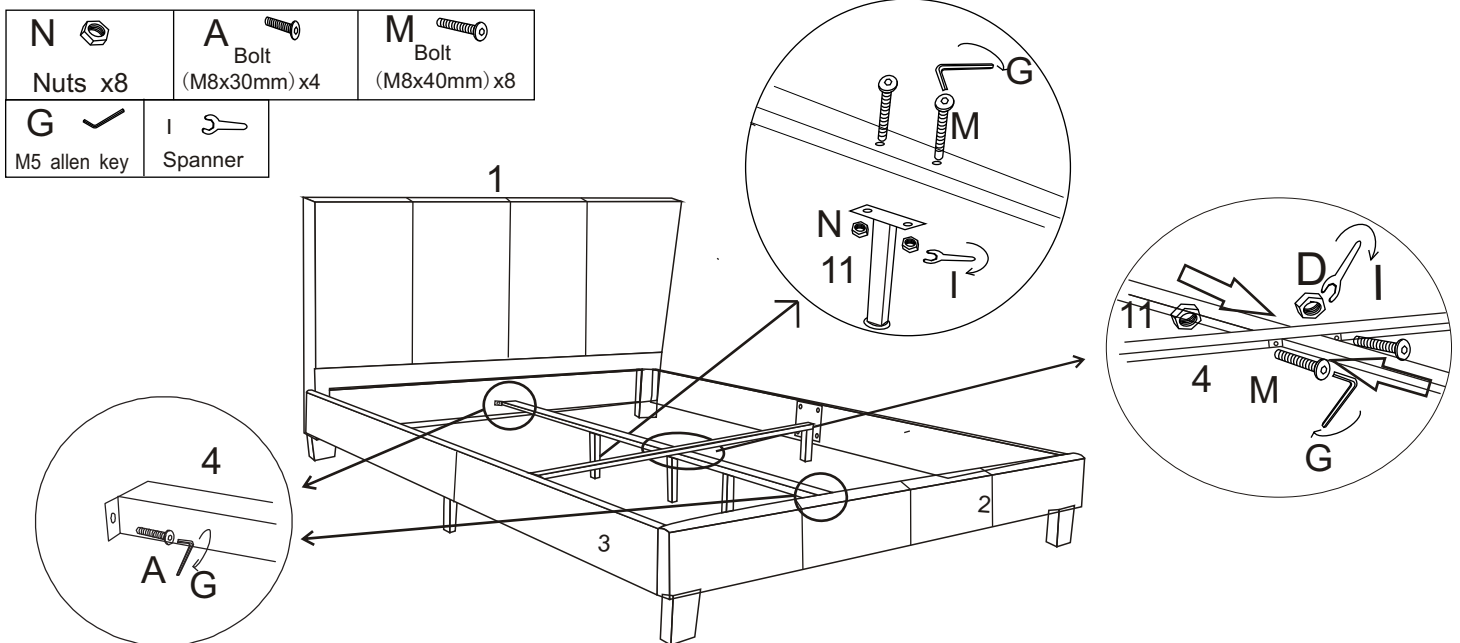
To attach the side rails (3) to the headboard (1) you will need to use hardware parts A, E, F and G.



Step 6

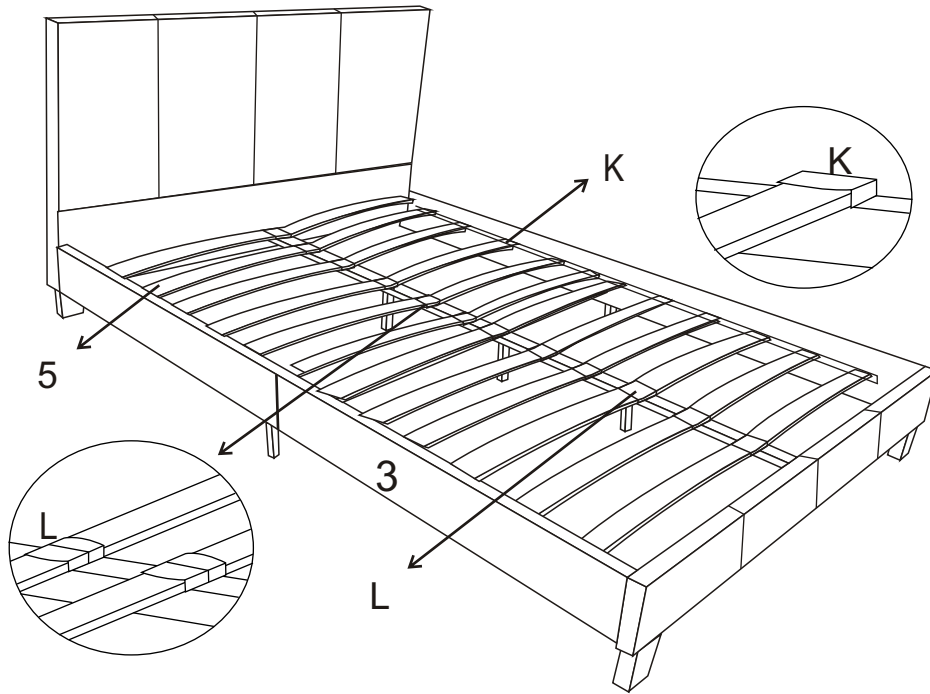
Attach the centre support bar (10) to the headboard (1) and footboard (2) and Cross support Bar (4) using hardware parts M, A, N, G and I.




Attach the support legs (11) to the centre support bar (10) using hardware parts M, N, G and I.



Step 7:

Assemble the slats (5) into the side rails (3) and centre support bar with K,L



K 	L 	5 
Single Slat caps x 24	Centre slat caps x 12	Slat x 24