



Birlea

Suppliers of inspiration

Assembly Instructions

Thank you for
purchasing a
Birlea product.

For a chance to win a Love 2 Shop voucher simply post a picture of your new product on your preferred social channels tagging Birlea Furniture and using the hashtag **#ShareYourStyle** and **#Birlea**. One winner will be selected at random each month.

To view our full terms and conditions please visit www.birlea.com

Are you happy with your purchase?

Yes: That's great, we would love to hear more from you. Please leave us a review on our social media channels or Trustpilot. Your feedback will be greatly appreciated.

No: If for any reason there is something missing, indifferent or incorrect with your order, please contact the retailer you purchased the item from. We will work with the retailer to resolve your issue as quickly as possible.



Berlin Fabric Ottoman Bed - Double

Assembly Instructions

Before you begin...

1. Please check you have received the correct product.
2. Unpack all boxes and lay out each component on the floor.
3. Check your product for any damage that may be immediately obvious. If damage is identified, please contact your retailer.
4. Please read through these instructions thoroughly to ensure you have constructed your bed correctly.

For Care and Maintenance of your bed...

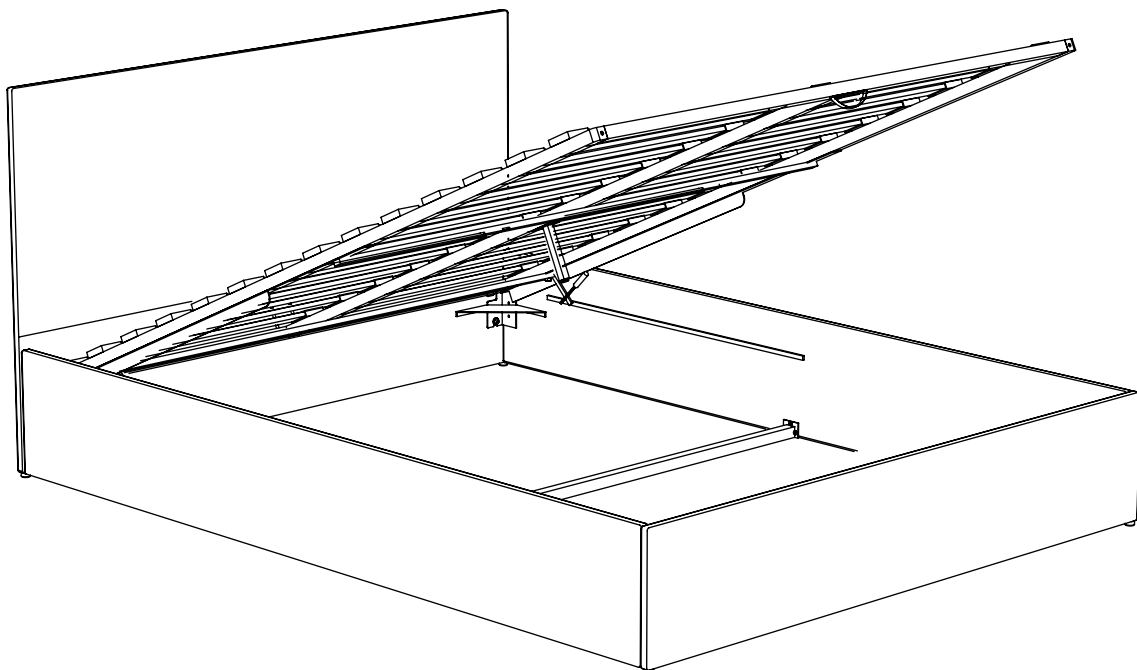
- Always assemble in your desired room of use.
- Check all screws and fixings periodically to ensure they are still secure.
- Do not push or pull this bed as it will cause damage.
- Always lift this bed with a second person to prevent damage or injury.
- Keep any sharp objects away from this bed frame.

For your Health and Safety...

- Please don't jump on this bed.
- Do not use this bed if you find missing, damaged or worn parts. Please contact the retailer you purchased the bed from.
- Please do not use this bed until you have fully secured all fixings.
- Please keep all small components away from children.
- Please ensure this bed is on an even, level surface.

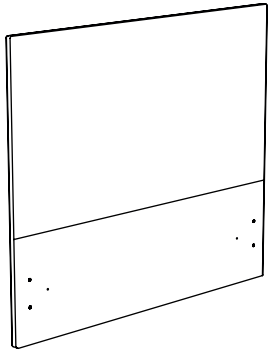
Also...

If your desired room of choice has a non-carpeted surface please ensure that you use some form of protection and **do not** place directly on the wooden floor. This will prevent the bed from moving and therefore collapsing which will void your guarantee..

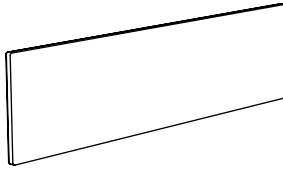


Box 1

All fittings are stored within the zipped compartment of the headboard.



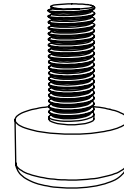
A. Headboard (x1)



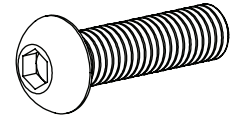
B. Footboard (x1)



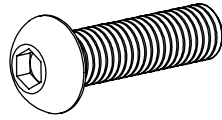
C. Slats (x26)



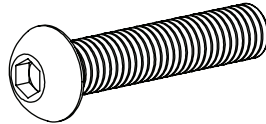
D. Legs (x4)



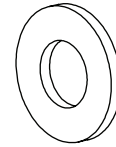
E. M8x30mm Bolts (x8)



F. M8x16mm Bolts (x4)



G. M8x65mm Bolts (x4)



H. Flat Washer (x8)



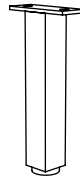
I. Spring Washer (x8)



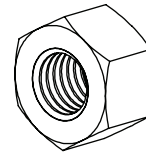
J. Slat Caps (x26)



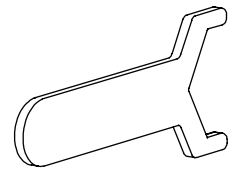
K. M5 Allen Key (x1)



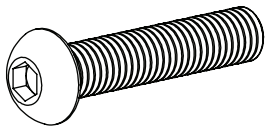
L. Support Leg (x1)



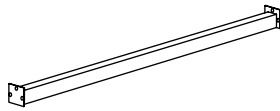
M. Nuts (x12)



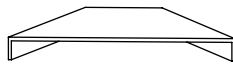
N. Spanner (x1)



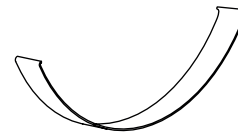
O. M8x45mm Bolts (x4)



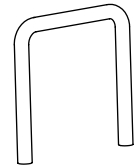
P. Bed Cross Bar (x1)



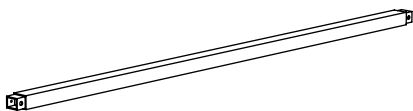
Q. Corner Pad (x4)



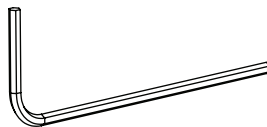
R. Pull Strap (x1)



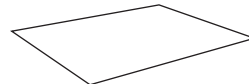
S. Metal Hook (x2)



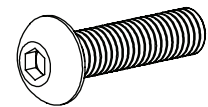
T. Front and Back Frame Rail (x2)



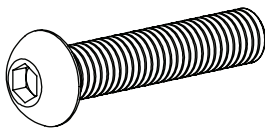
U. M4 Allen Key (x1)



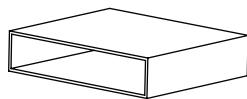
V. Woven Fabric (x1)



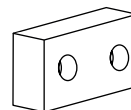
W. M6x16mm Bolts (x10)



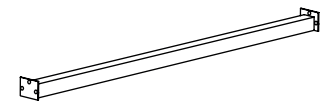
X. M8x40mm Bolts (x6)



Y. Centre Slat Caps (x13)

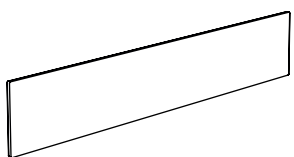


Z. Wood Block (x1)

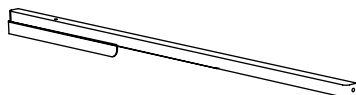


A1. Cross Support Bar (x2)

Box 2



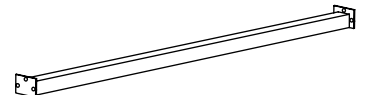
B1. Side Rails (x2)



C1. Left Frame Rail (x1)



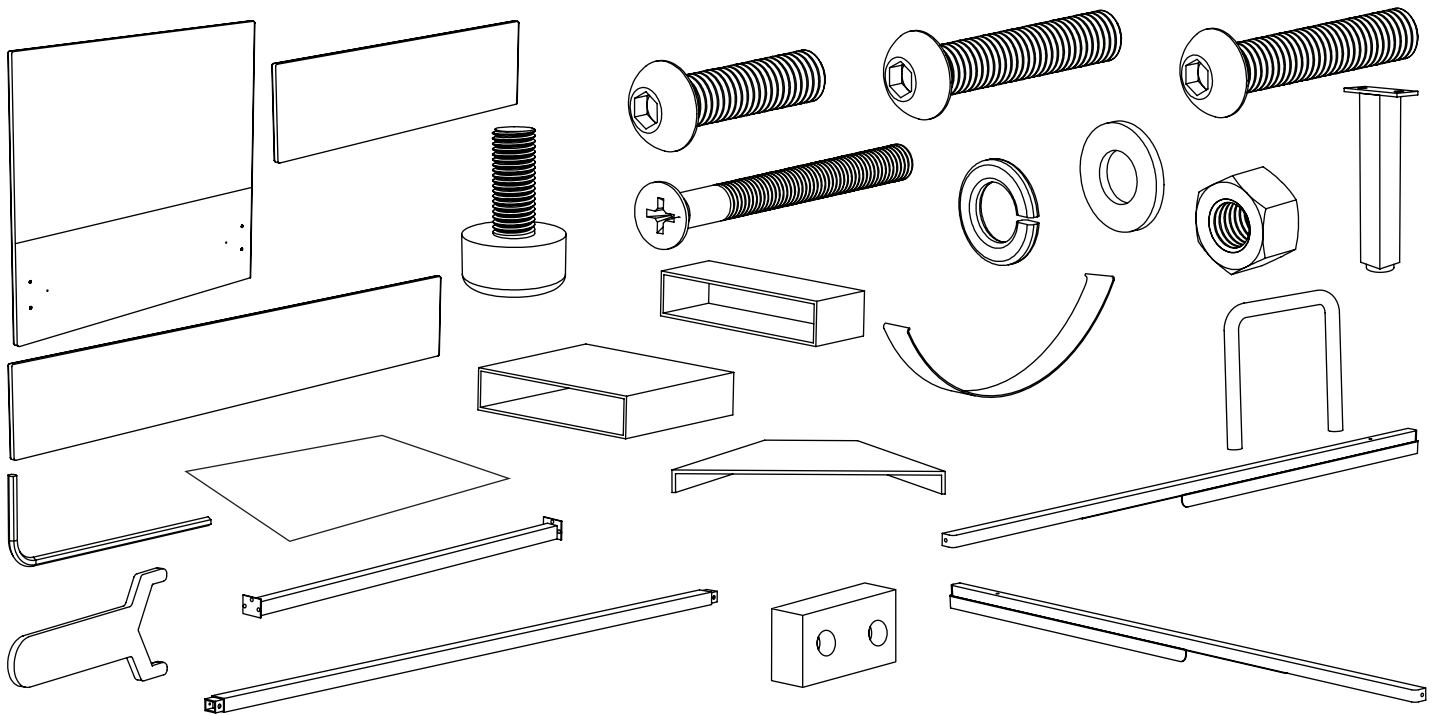
D1. Right Frame Rail (x1)



E1. Centre Support Bar (x1)

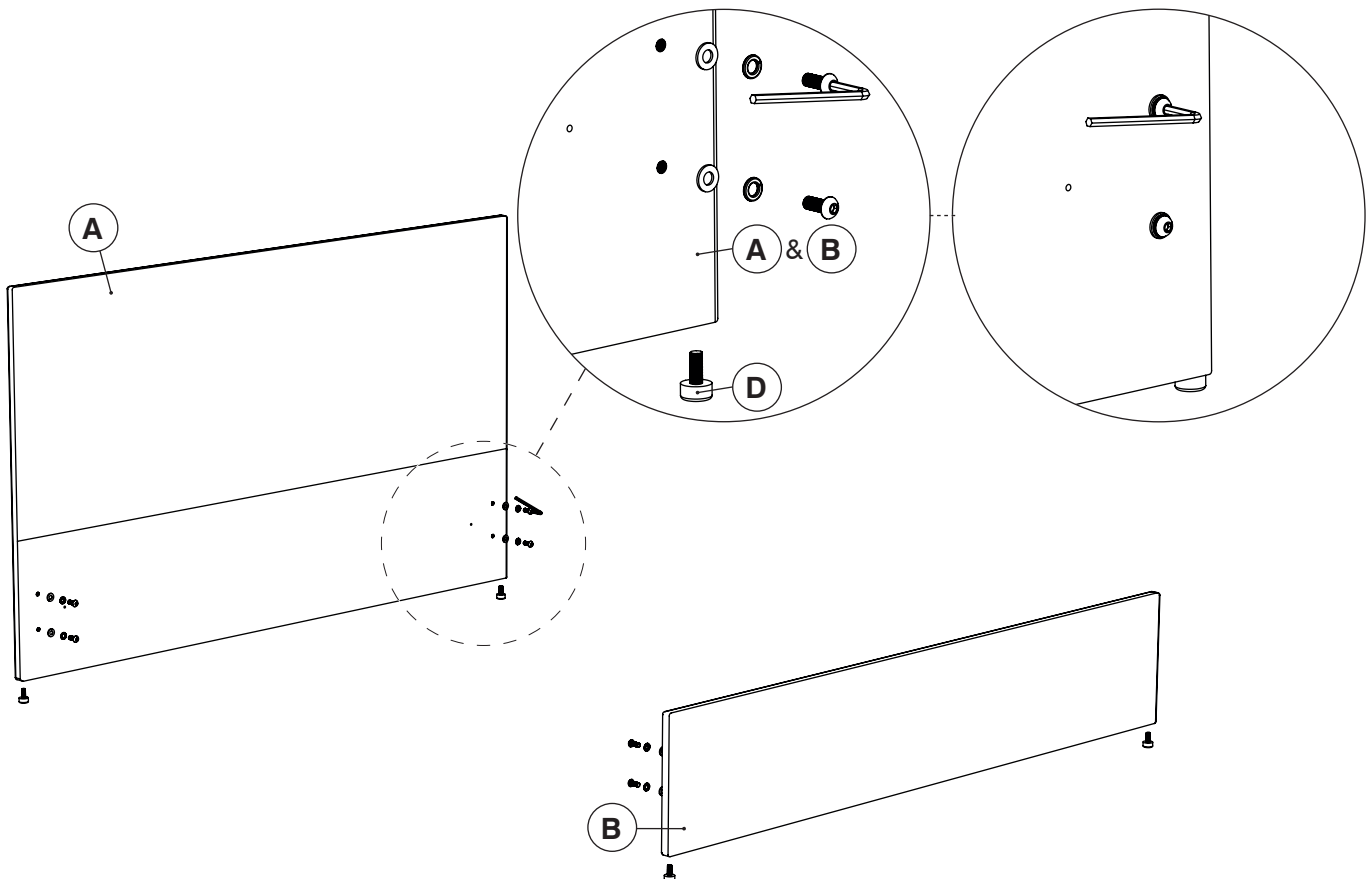
Step 1

Unpack all components from the boxes and check you are not missing anything. Please check these against the list on page 3 and note that some components are stored within the *zipped compartment* at the rear of the headboard. Should you identify any missing components, please contact the retailer you purchased the bed from.



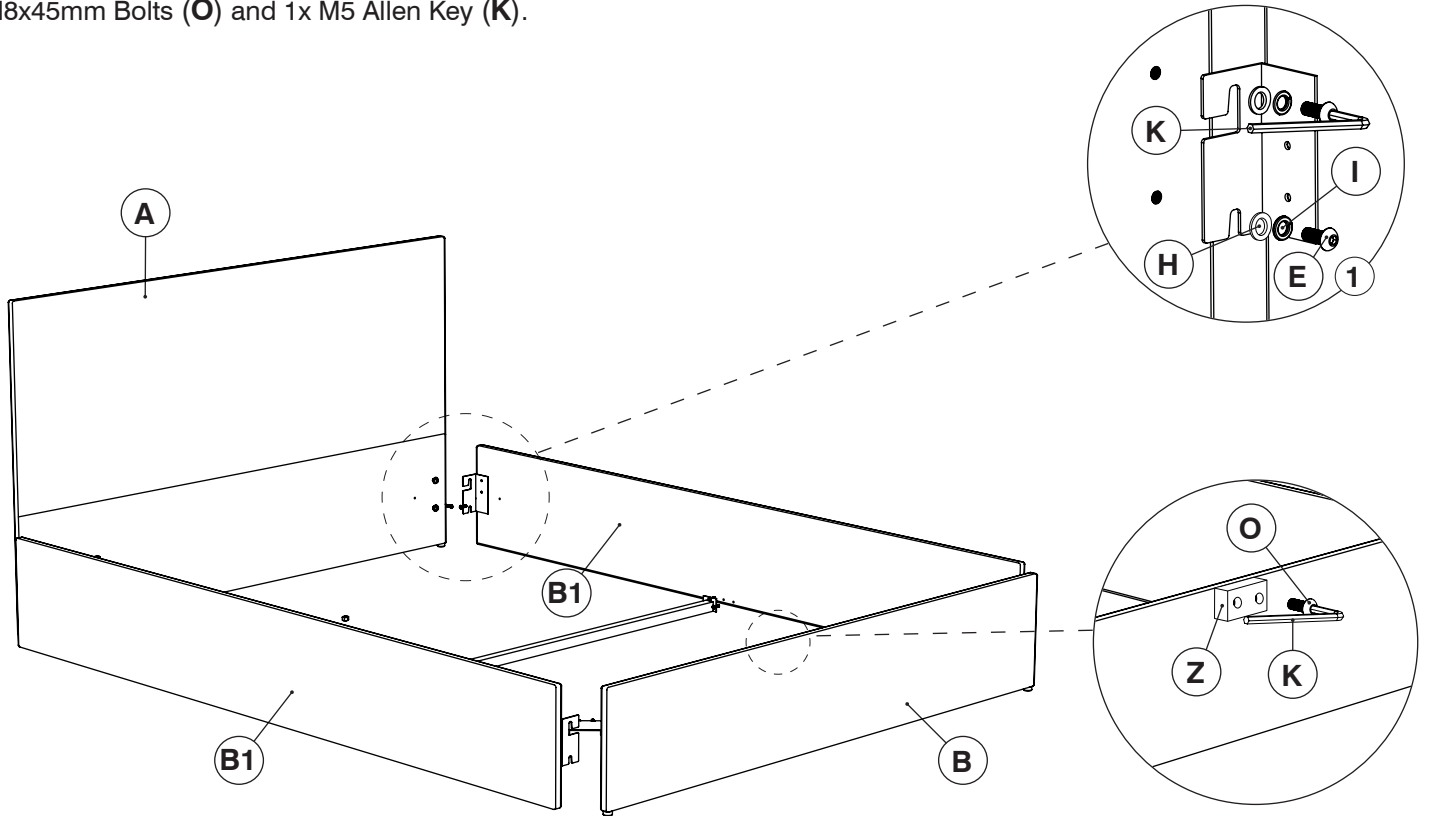
Step 2

Attach 2x Legs (D) to the 1x Headboard (A) and then attach 2x Legs (D) to the 1x Footboard (B) using the Allen Key (K), 4x M8x30mm Bolts (E), 4x Spring Washer (I) and 4x Flat Washer (H).



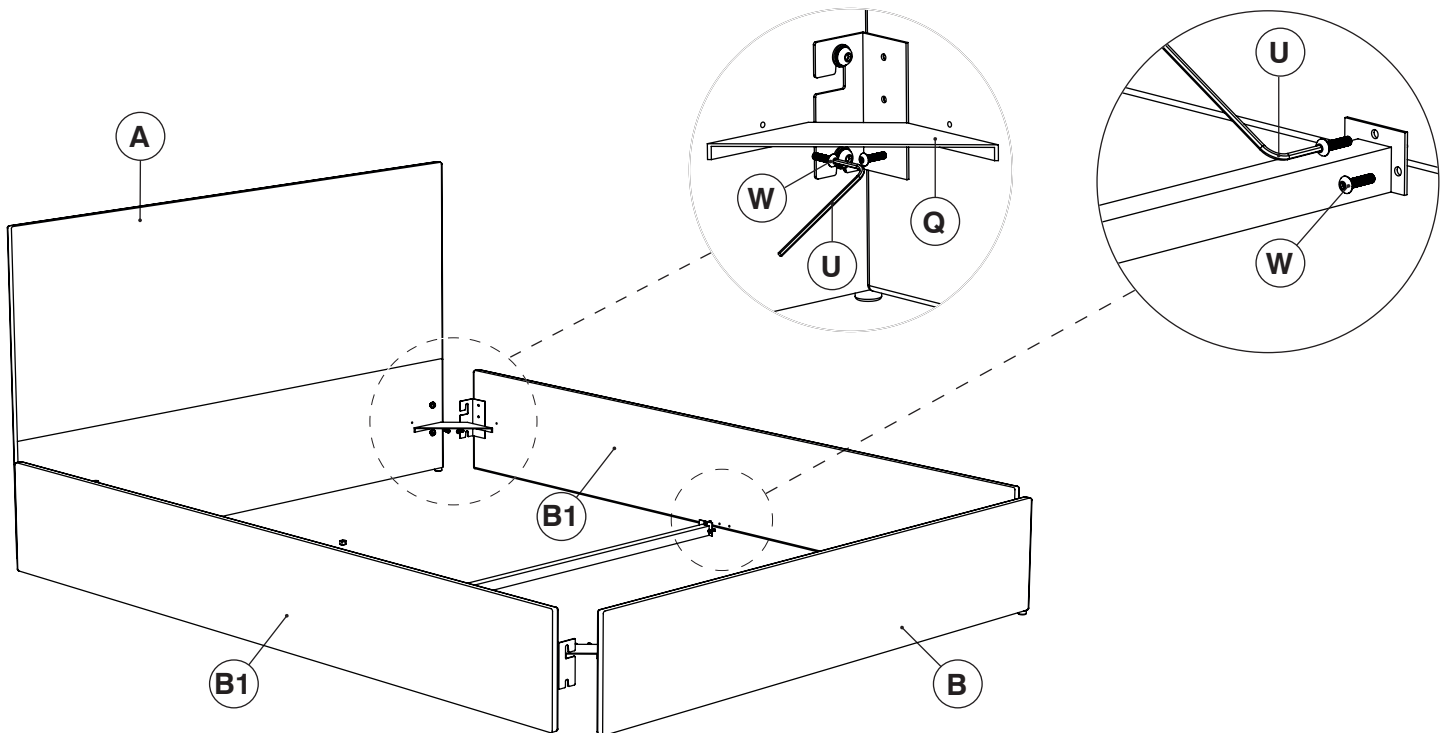
Step 3

Attach 2x Side Rails (**A1**) to 1x Headboard (**A**) and 1x Footboard (**B**) using 8x M8x30mm Bolt (**E**), 8x Spring Washer (**I**), 8x Flat Washer (**H**) and 1x M5 Allen Key (**K**). Secondly, attach the 1x Wooden Block (**Z**) to the 1x Footboard (**B**) using 2x M8x45mm Bolts (**O**) and 1x M5 Allen Key (**K**).



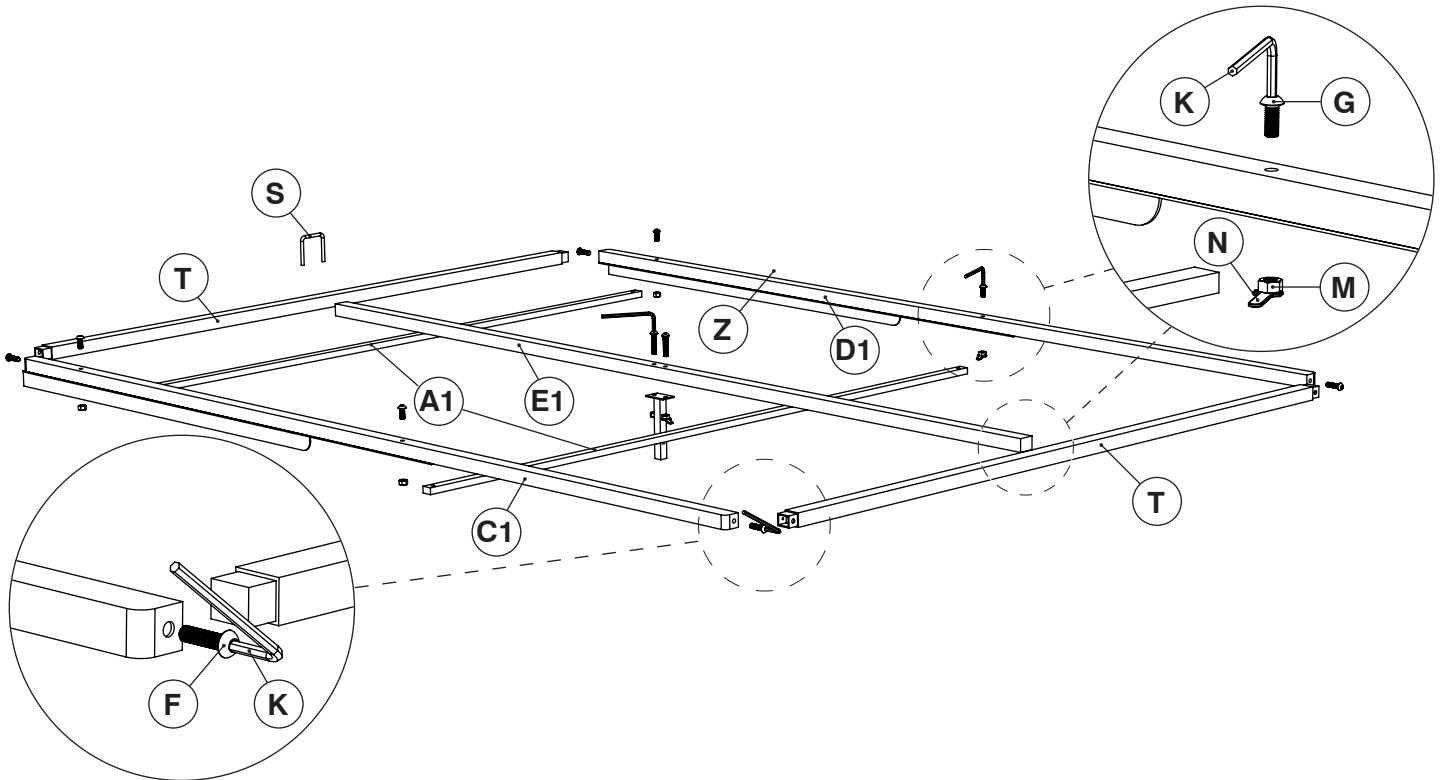
Step 4

Next, attach the 4x Corner Pads (**Q**) to the Headboard (**A**), Footboard (**B**) and Side Rails (**A1**) using M6x16mm Bolts (**W**) and 1x M4 Allen Key (**U**) as shown in step 2. Then, attach Bed Cross Bar (**P**) to the Side Rails (**X**) using M6x16mm Bolts (**W**) and 1x M4 Allen Key (**U**).



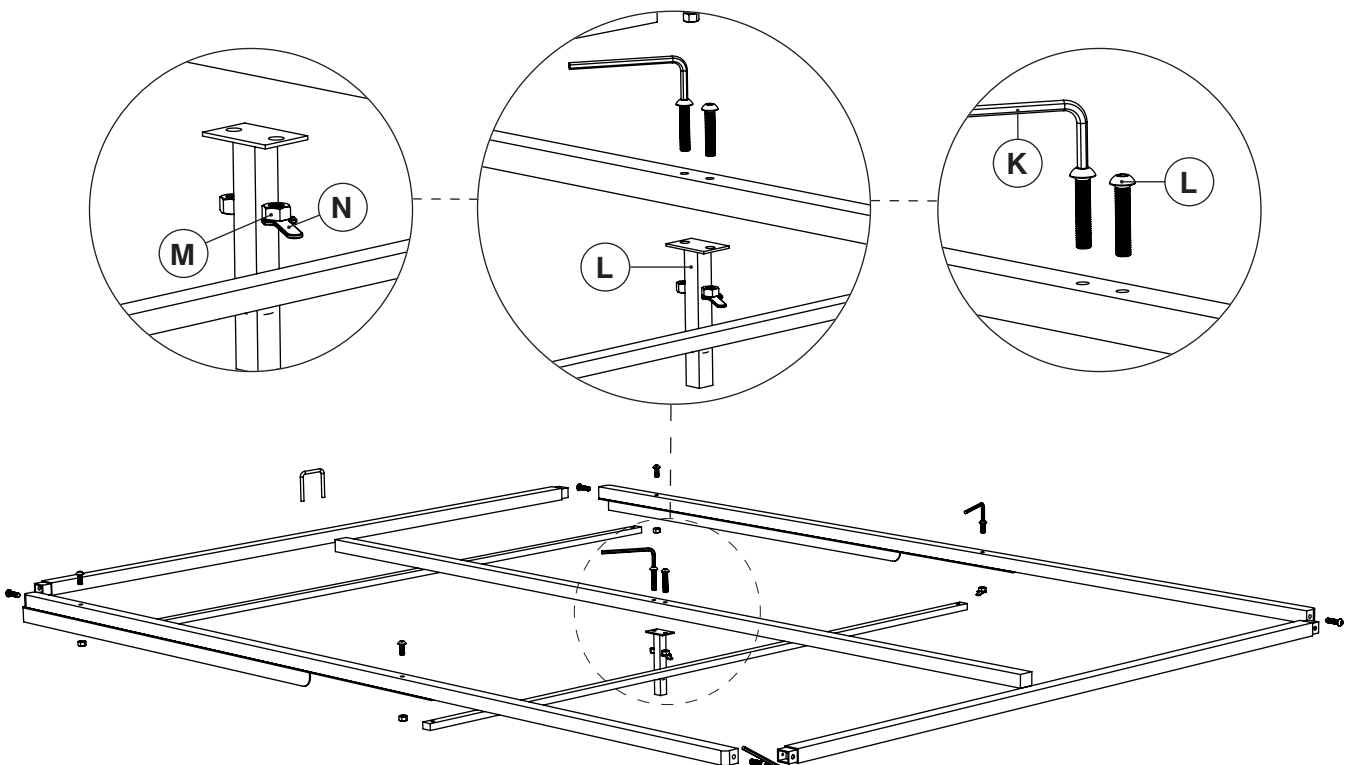
Step 5

Attach the Attach the 2x Front and Back Frame Rails (**T**) to the 1x Left Frame Rail (**B1**) and 1x Right Frame Rail (**C1**) using 4x M8x16mm Bolts (**F**) and 1x M5 Allen Key (**K**). Then attach the Cross Support Bar (**E1**) to the 1x Left Frame Rail (**C1**) and 1x Right Frame Rail (**D1**) using 4x M8x65mm Bolts (**G**), 4x Nuts (**M**), M5 Allen Key (**K**) and 1x Spanner (**N**). Finally, attach the 1x Metal Hook (**S**) to the Rear Frame Rail (**T**).



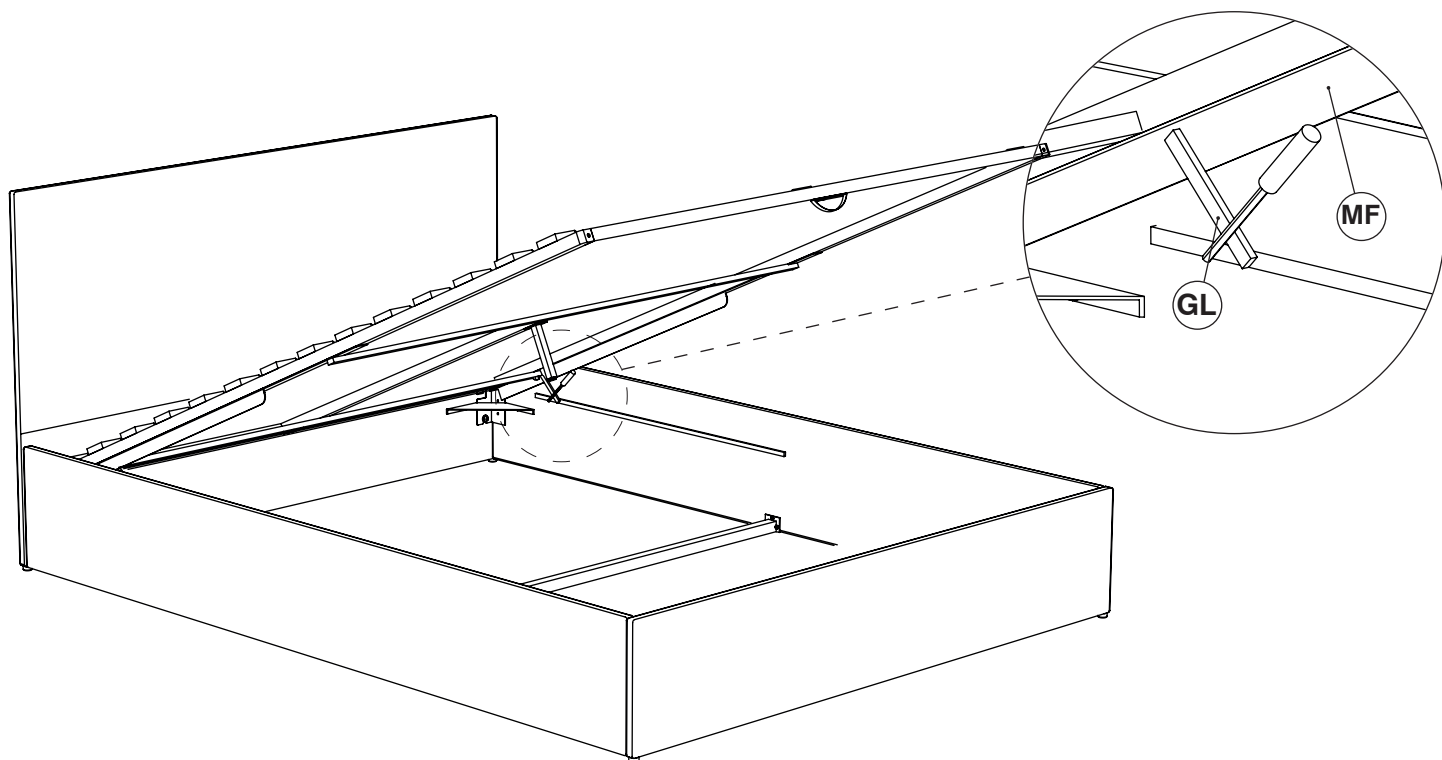
Step 6

Attach the Centre Support Leg (**L**) to the Cross Support Bar (**E1**) using 2x M8x40mm Bolts (**X**), M5 Allen Key (**K**), 2x Nuts (**M**) and 1x Spanner (**N**).



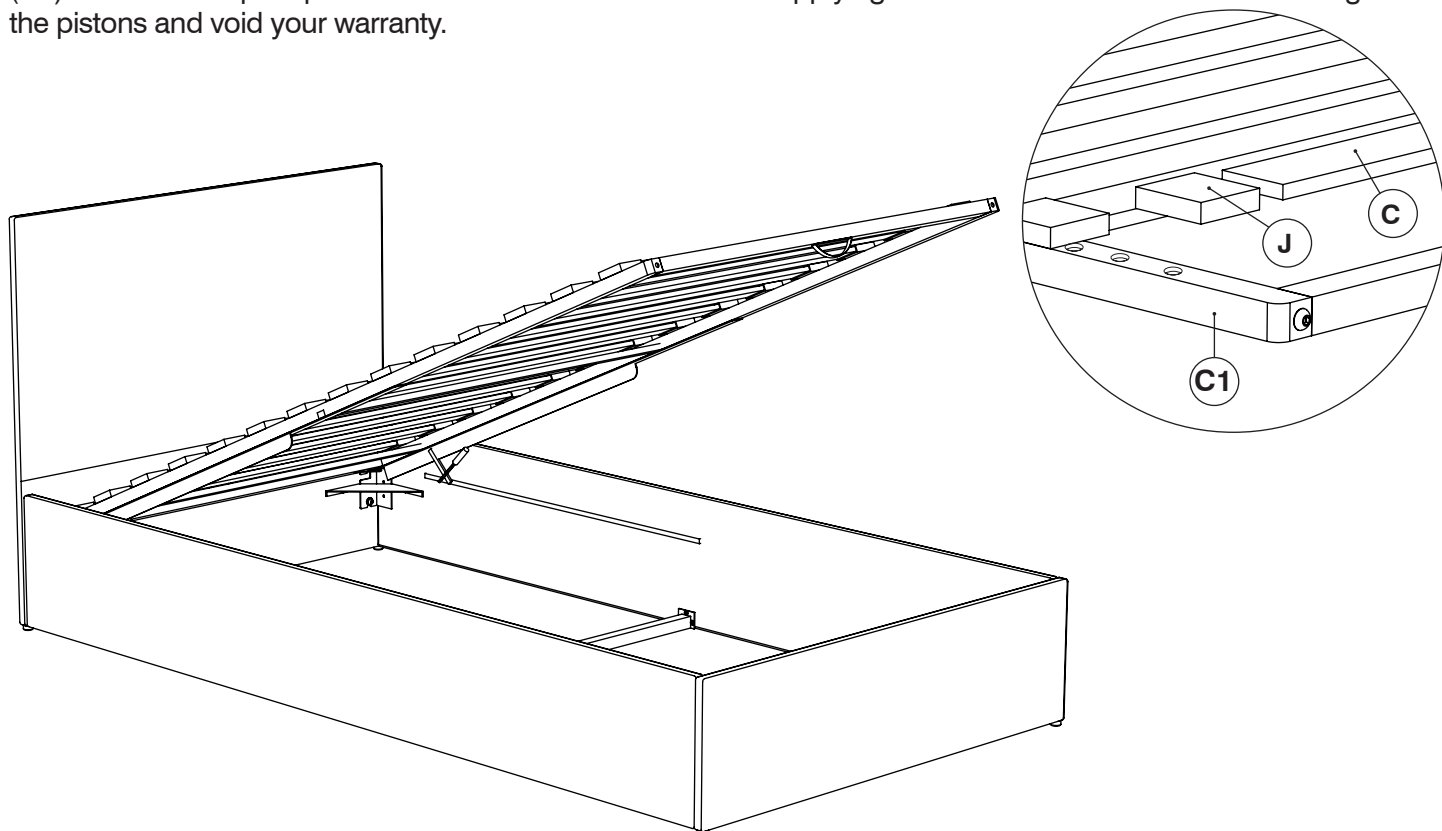
Step 7

Attach the Metal Frame (MF) to the pre-fixed Gas Lift (GL) on the inside of the side panels using 2x M8x45mm Bolts (O), 2x Nuts (M), M5 Allen Key (K) and 1x Spanner (N).



Step 8

Slot each Slat Cap (J) on to the end of each Slat (C). Then press firmly into each Left Frame Rail (C1) and Right Frame Rail (D1). *Do not* attempt to push the ottoman frame down before applying the mattress as this will cause damage to the pistons and void your warranty.



Step 9

Turn the bed frame over on to its side and attach the Woven Fabric (V) to the base of the bed frame as shown below.

