

ASSEMBLY INSTRUCTIONS

135cm JESPER SPINDLE BED

IMPORTANT : READ THESE INSTRUCTIONS CAREFULLY BEFORE ATTEMPTING TO ASSEMBLE OR USE YOUR 135CM JESPER SPINDLE BED.

PLEASE KEEP THESE INSTRUCTIONS FOR FUTURE REFERENCE.

ASSEMBLY:

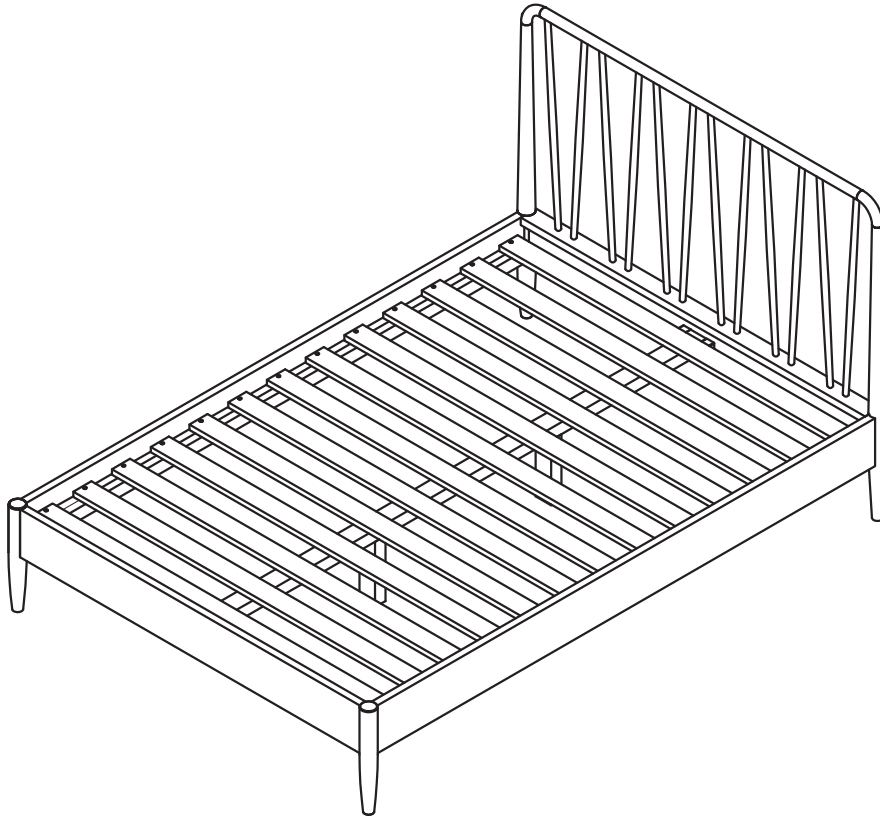
Assembly should be carried out with this item laying flat, not standing upright.
Assemble on a soft, clean surface to prevent damages.

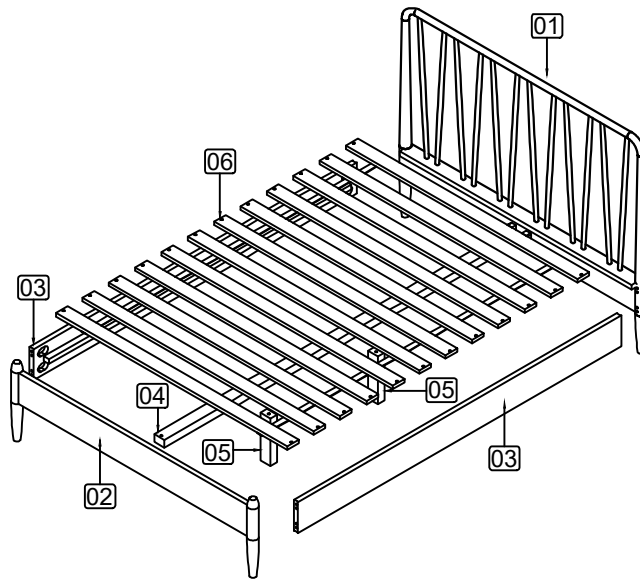
HEALTH & SAFETY:

DO NOT use this product if any parts are missing, damaged or worn.
DO NOT use this product unless all fixings are secured.
Always use on a level, even surface.

CARE & MAINTENANCE:

Periodically check all screws & fixings to ensure they are secure.
DO NOT push this product as this will cause damage.
Always lift this product with two people to repositions.
Keep any sharp objects away from this product.

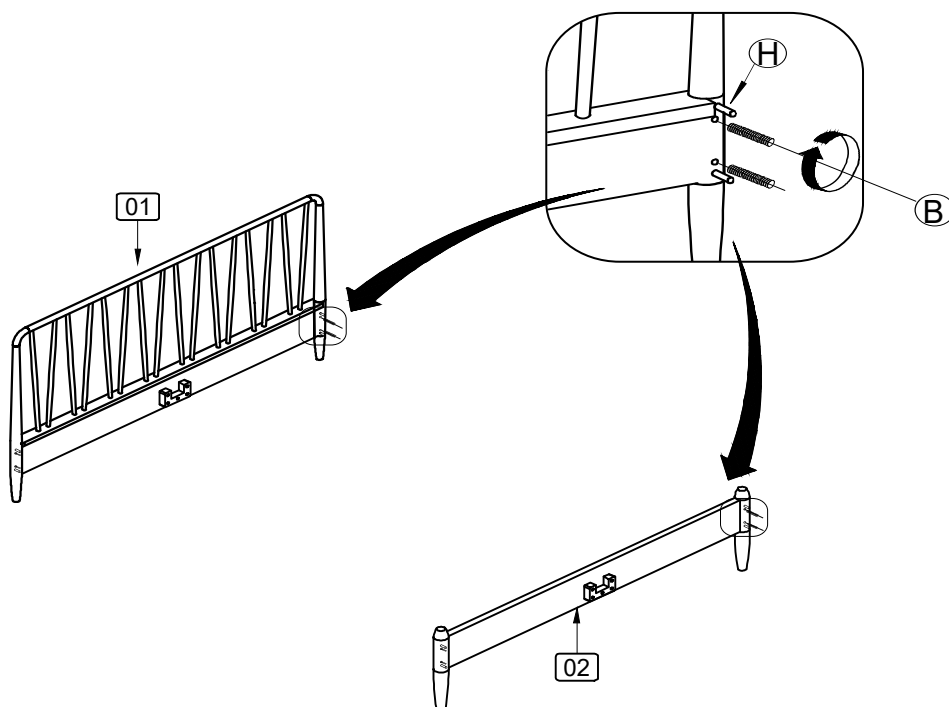




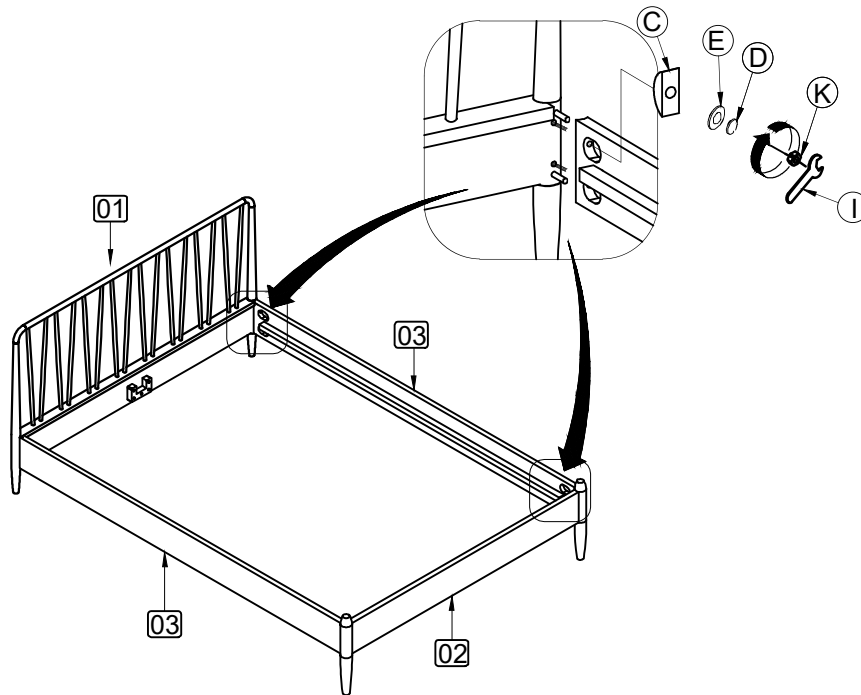
Part List				Hardware List(Box-1)			
Part	Description	Box	QTY	Part	Description		QTY
01	Headboard	1	1	A	Bolt		2
02	Footboard	1	1	B	Guide Screw		8
03	Siderails	2	2	C	Plastic Washer		8
04	Centre Rail	2	1	D	Spring Washer		8
05	Support Legs	1	2	E	Flat Washer		8
06	Slats	1	1 Set	F	Allen Key		1
				G	Screws		28
				H	Wooden Dowel		8
				I	M10# Spanner		1
				K	M6 Nuts		1

**** You will need a screwdriver for assembly.**

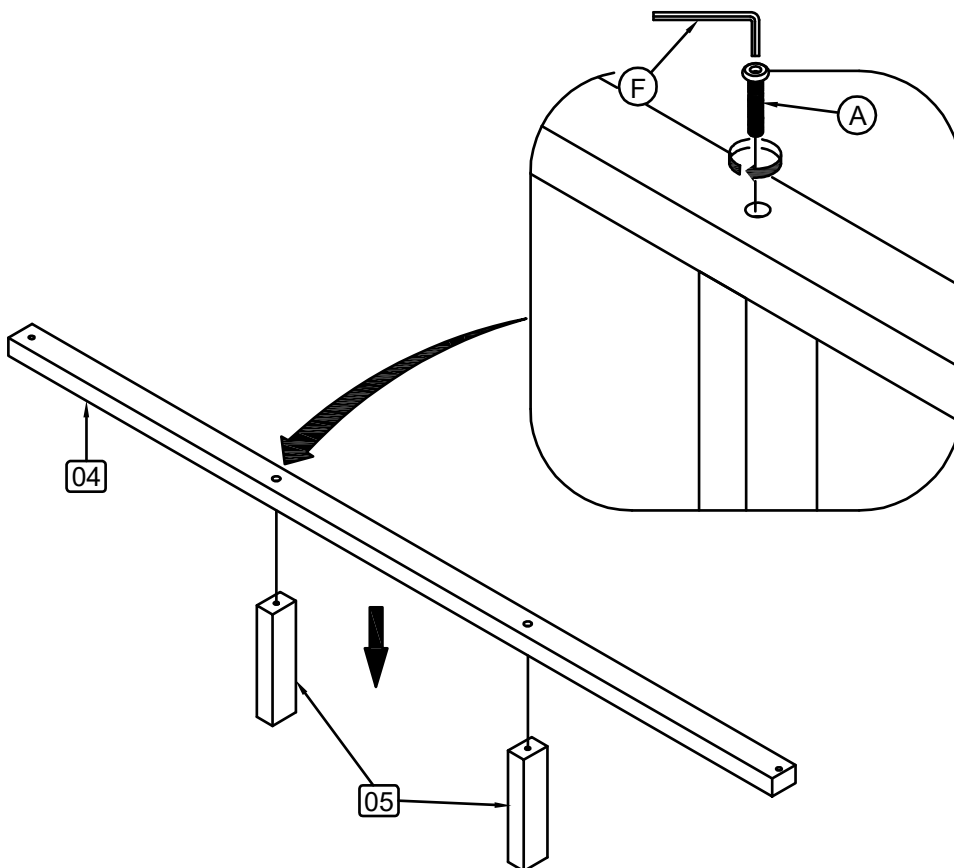
STEP 1 Attach the hardware part B&H to Headboard(01) and footboard(02)
DO NOT use any power tools as this may damage the frame and will invalidate any claim.



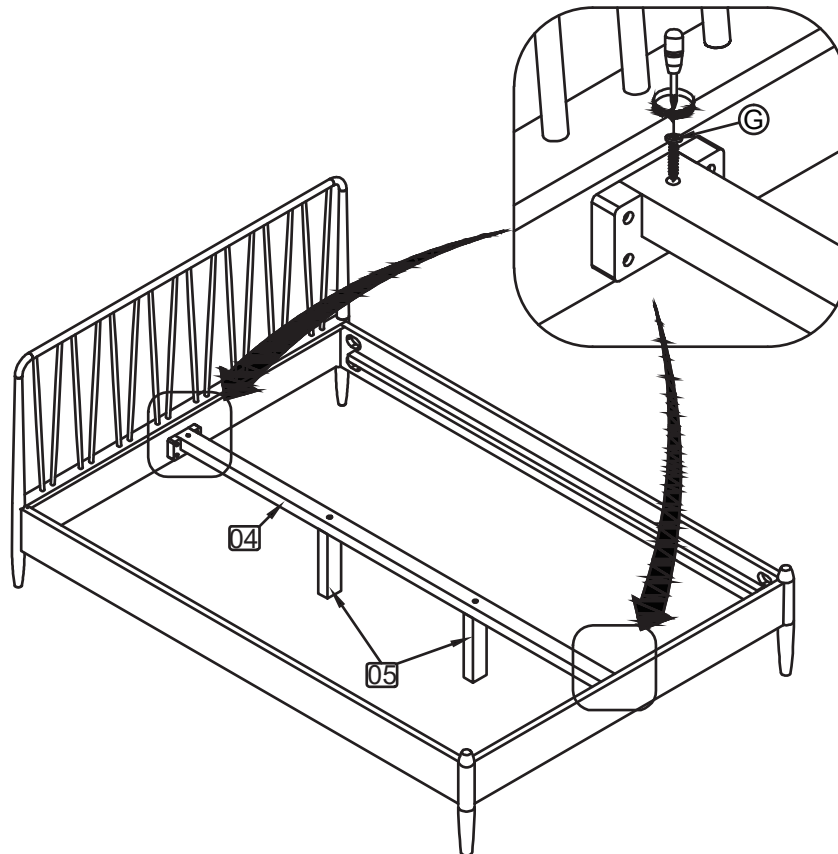
STEP 2 Use Spanner(I) fix the Siderails(03) together with Headboard(01)&Footboard(02) by Hardware C,E,D,K.
DO NOT use any power tools as this may damage the frame and will invalidate any claim.



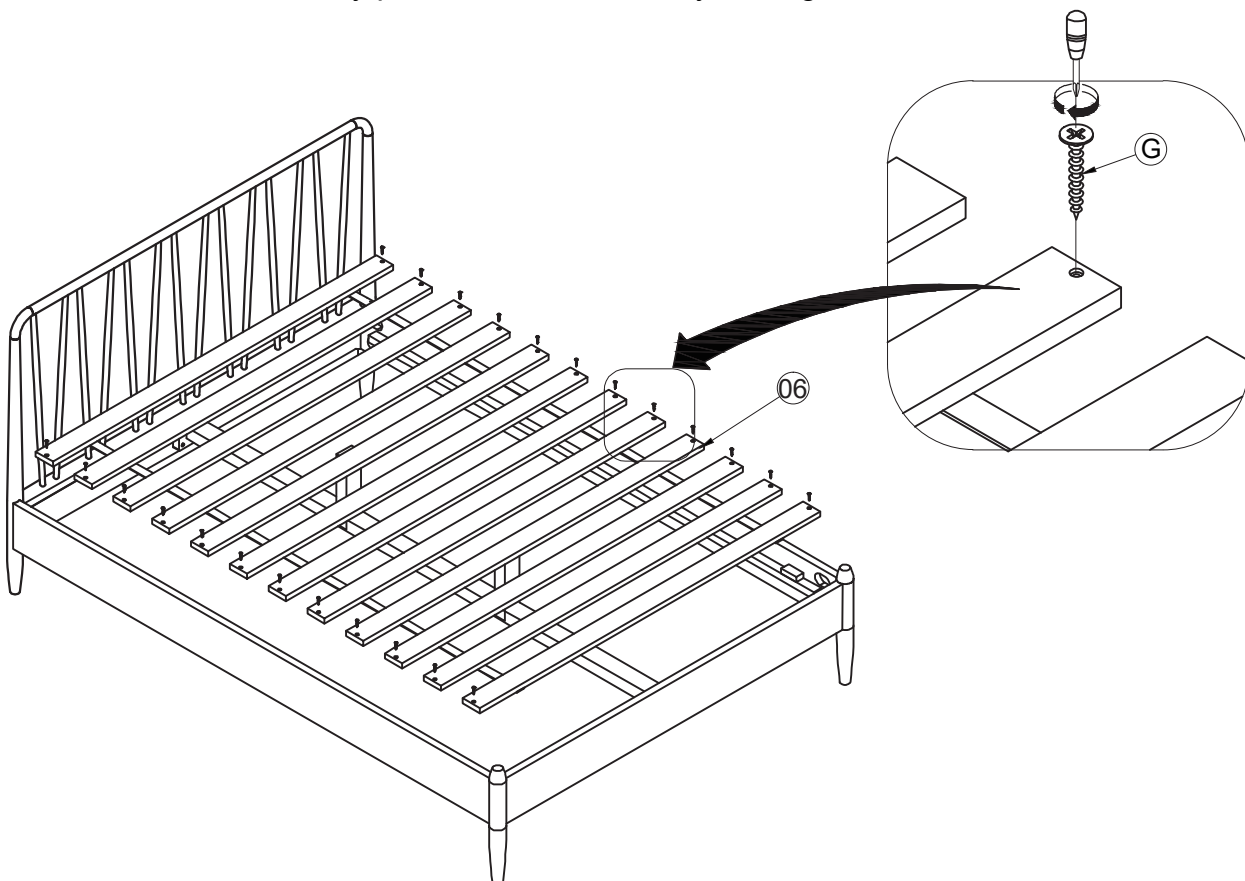
STEP 3 Attach Support legs(05) to Centre Panel(04) using HardwareF,A.
DO NOT use any power tools as this may damage the frame and will invalidate any claim.



STEP 4 Attach the Centre panel (04) to Headboard(01)&Footboard(02) by Hardware(G) with a screwdriver(not provided).
DO NOT sue any power tools as this may damage the frame and will invalidate any claim.



STEP 5 Attach the Slats(06) to Siderails(03) by Hardware(G) with a screwdriver(not provided).
DO NOT sue any power tools as this may damage the frame and will invalidate any claim.



FINISHED

