

Birlea®

Assembly Instructions

Thank you for
purchasing a
Birlea product.

For a chance to win a Love 2 Shop voucher simply post a picture of your new product on your preferred social channels tagging Birlea Furniture and using the hashtag **#ShareYourStyle** and **#Birlea**. One winner will be selected at random each month.

To view our full terms and conditions please visit www.birlea.com

Are you happy with your purchase?

Yes: That's great, we would love to hear more from you. Please leave us a review on our social media channels or Trustpilot. Your feedback will be greatly appreciated.

No: If for any reason there is something missing, indifferent or incorrect with your order, please contact the retailer you purchased the item from. We will work with the retailer to resolve your issue as quickly as possible.



ASSEMBLY INSTRUCTIONS
CROXLEY 2 DOOR 1 DRAWER RATTAN WARDROBE

IMPORTANT : READ THESE INSTRUCTIONS CAREFULLY BEFORE ATTEMPTING TO ASSEMBLE OR USE YOUR CROXLEY 2 DOOR 1 DRAWER RATTAN WARDROBE.

PLEASE KEEP THESE INSTRUCTIONS FOR FUTURE REFERENCE.

Keep small children and pets away during assembly as there are small parts.

DO NOT USE ANY POWER TOOLS AS THEY MAY DAMAGE THE FURNITURE AND WILL INVALIDATE ANY CLAIM

ASSEMBLY:

Assembly should be carried out with this item laying flat, not standing upright.

Assemble on a soft, clean surface to prevent damages.

To erase the numbers printed on the pieces, use the rubber inside the accessories pack.

HEALTH & SAFETY:

DO NOT use this product if any parts are missing, damaged or worn.

DO NOT use this product unless all fixings are secured.

Always use on a level, even surface.

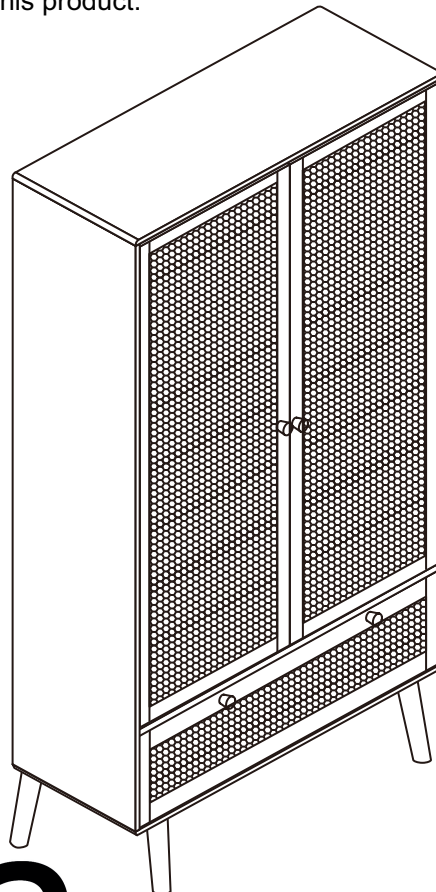
CARE & MAINTENANCE:

Periodically check all screws & fixings to ensure they are secure.

DO NOT push this product as this will cause damage.

Always lift this product with two people to repositions.

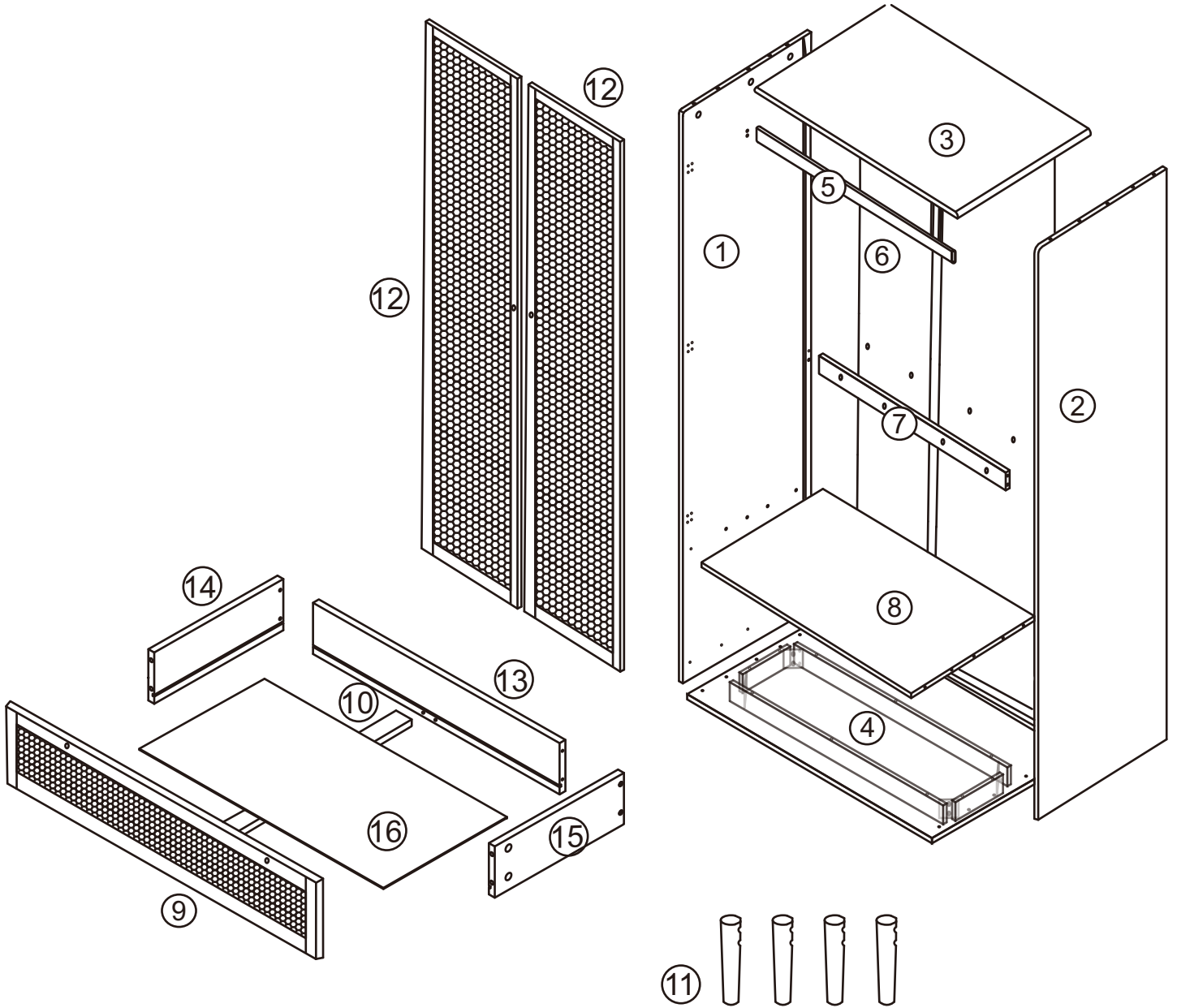
Keep any sharp objects away from this product.


























Birlea®

www.birlea.com

Page 2 of 12



Birlea®

Parts List				Hardware List		
Part	Description	Box	Qty	Part	Description	Qty
1	Side Panel(Left)	1	1	A	Cam Bolt 	21
2	Side Panel(Right)	1	1	B	Cam Lock 	21
3	Top Panel	2	1	C	Wooden Dowel 	14
4	Bottom Panel	2	1	D	Threaded bolt 	5
5	Hanging Rail	2	1	E	Handle+Screw 	4
6	Back Panel	1	1	F	Domed head Screw 	6
7	Back Rail	2	1	G	Flathead screw 	46
8	Middle Divider	2	1	H	Tube bracket 	2
9	Drawer Front	2	1	L	Plastic Wedge+Screw 	10
10	Drawer Support Rail	2	1	J	Food Pad 	4
11	Wooden Leg	2	4	K	Sticker 	4
12	Door panel	1	2	N	Washer 	2
13	Drawer Back	2	1	O	Safety Strap 	2
14	Drawer Side(Left)	2	1	P	Threaded bolt 	6
15	Drawer Side(Right)	2	1	Q	Allen key 	1
16	Drawer Bottom	2	1	I	Hinges 	6
				M	Screw 	8
				DL	Drawer runner 	1
				DR	Drawer runner 	1
				CL	Drawer runner 	1
				CR	Drawer runner 	1
				R	Door Stopper 	4
				T	Screw 	4

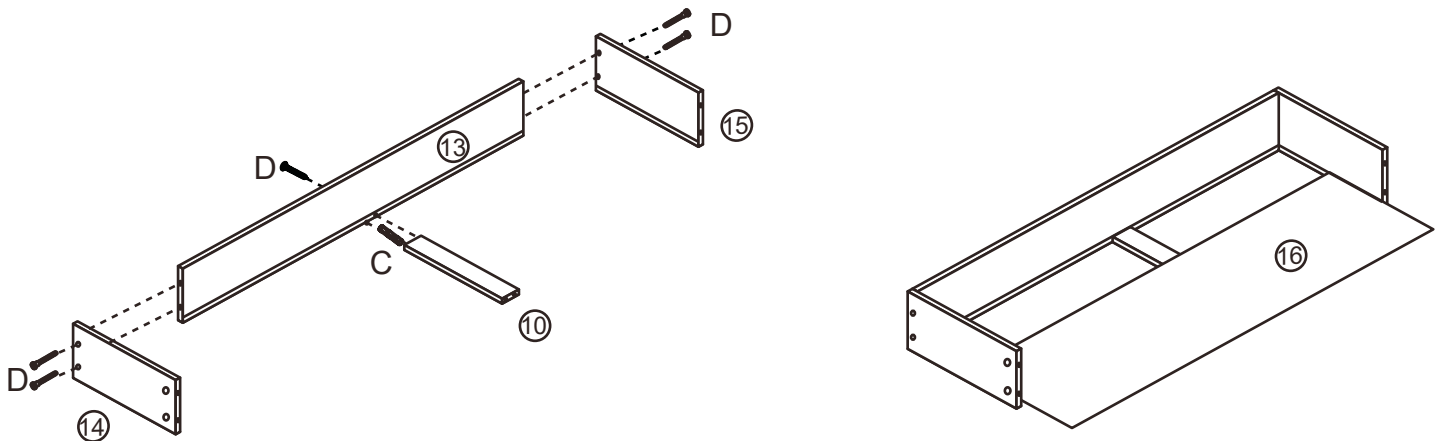
**** You will need a small mallet and a screwdriver for assembly.**

**** Some screws and wooden dowel**

**** Note : To secure the item to the wall.**

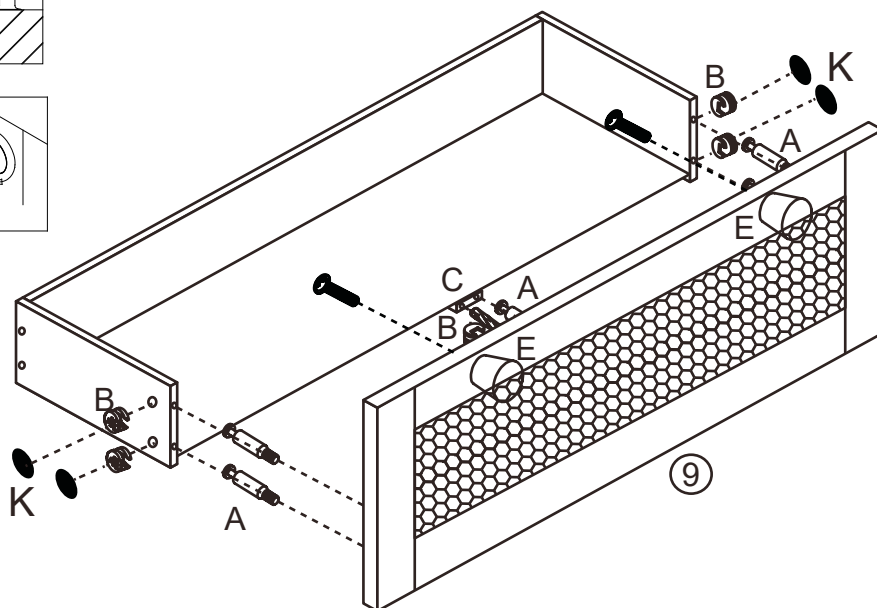
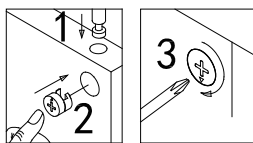
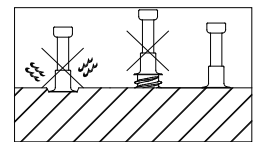
Step 1: Attach the drawer side panels (14) and (15) to the back panel (13) using threaded bolts (D)
 Push a wooden dowel (C) into both ends of the drawer support rail (10) then attach to the back panel (13) with a threaded bolt (D) Slide the drawer base (16) into the grooves in the side and back panels

Dx5
Cx1

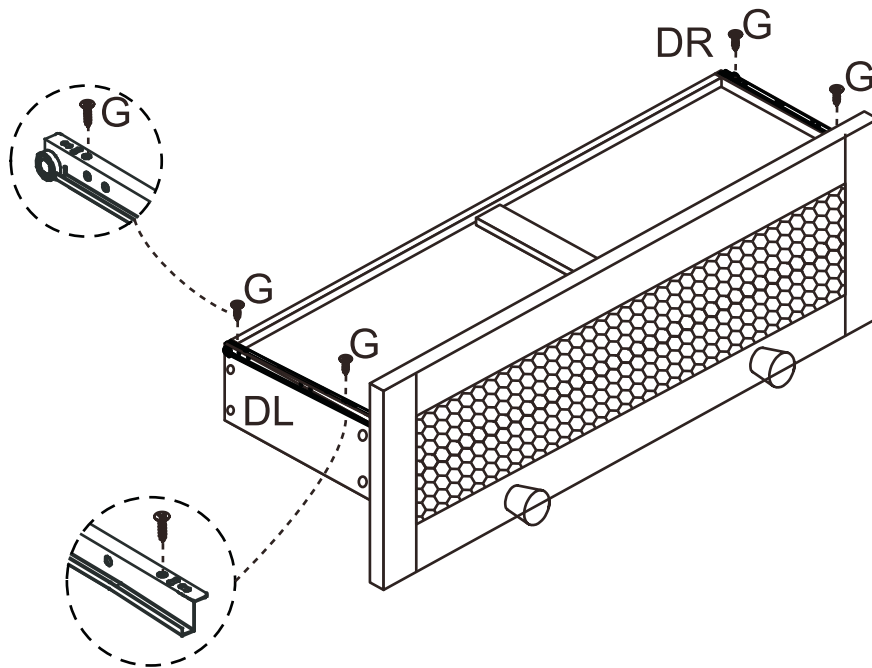


Step 2: Screw the cambolts (A) into the drawer fronts (9), then slide the drawer front (9) onto the drawer box.
 Insert the cam locks (B) into the drawer side panels and rotate to secure
 Cover the cams with the stickers (K)
 Attach handles (E) using the screws provided

Ax5
Bx5
Kx4
Ex2
Cx1



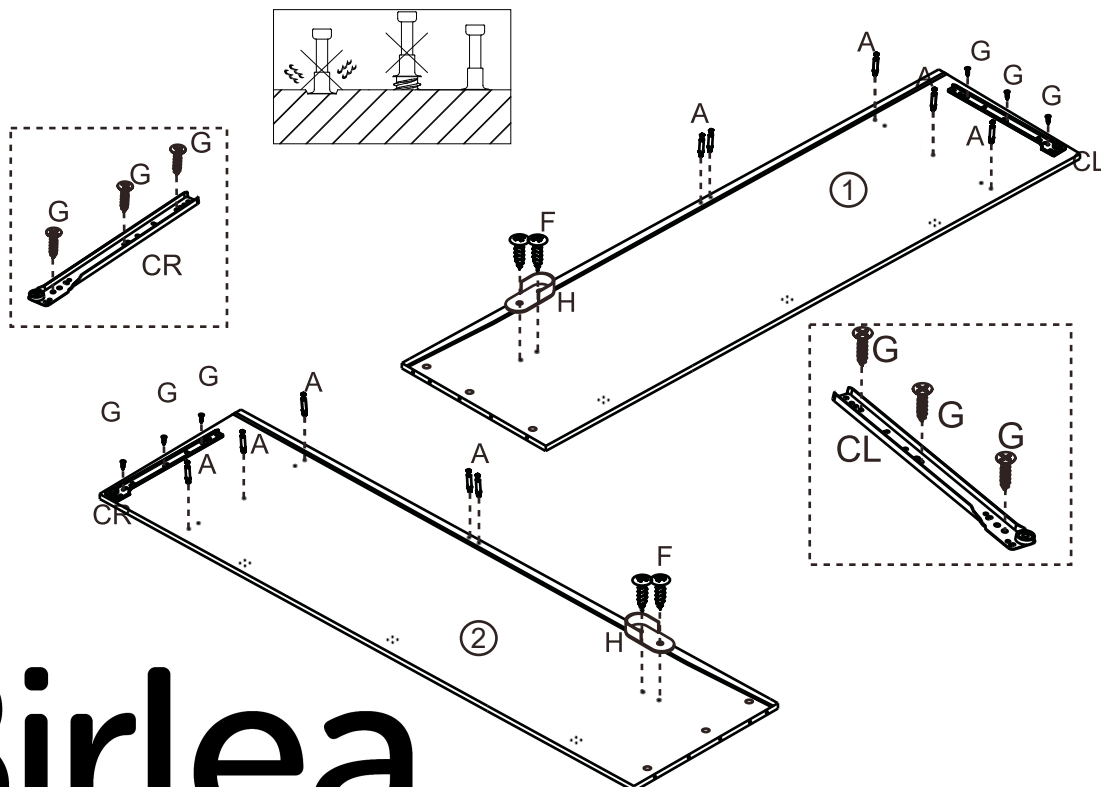
Step 3: Attach runners (DL) and (DR) to the drawer bases using screws (G)



DLx1
DRx1
Gx14

Step 4: Assemble hardware (CL), (CR) on side panels (1), (2) by hardware G; Then, attach the hardware A on both panels; Then, assemble hardware H by hardware F.

DO NOT use any power tools as this may damage the frame and will invalidate any claim.



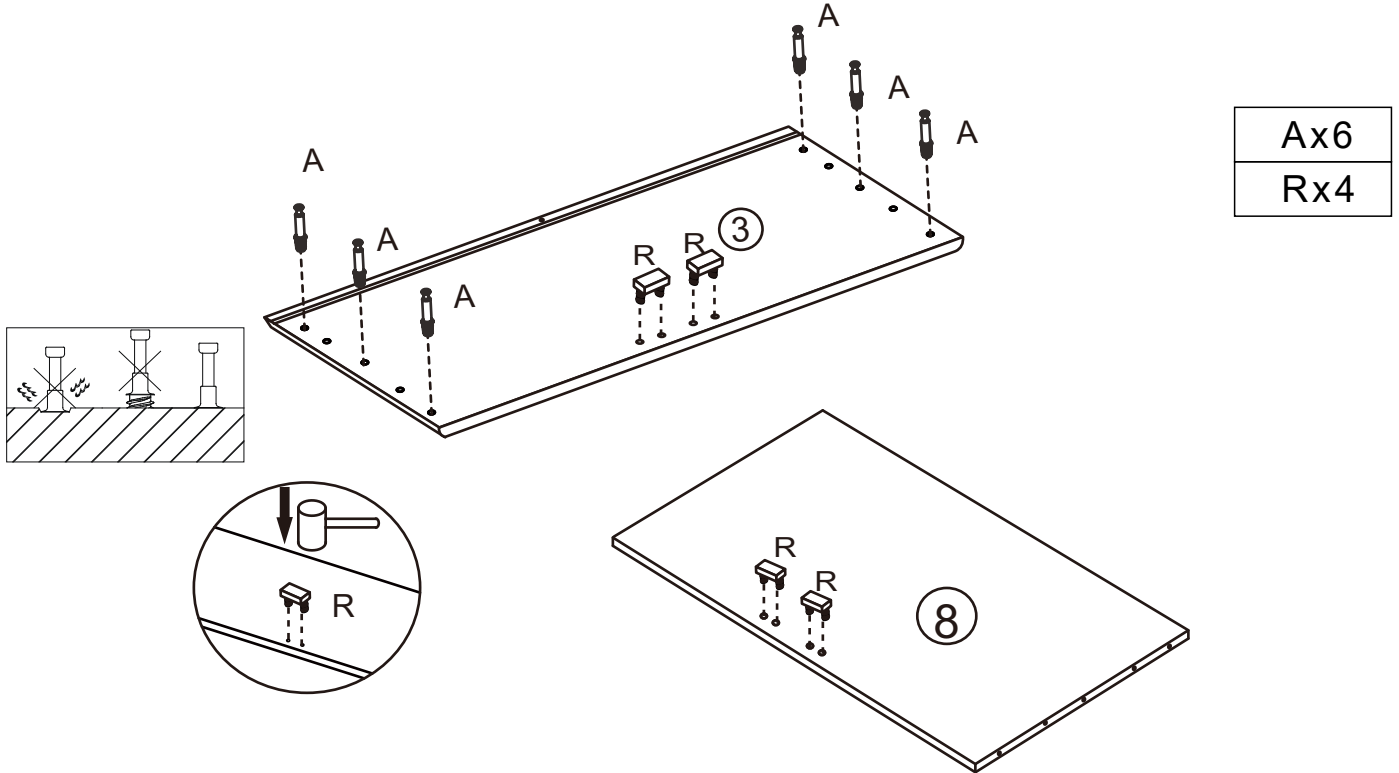
CLx1
CRx1
Gx6
Ax10
Fx4
Hx2

Birlea®

Step 5: Attach hardware A on top panel(3);

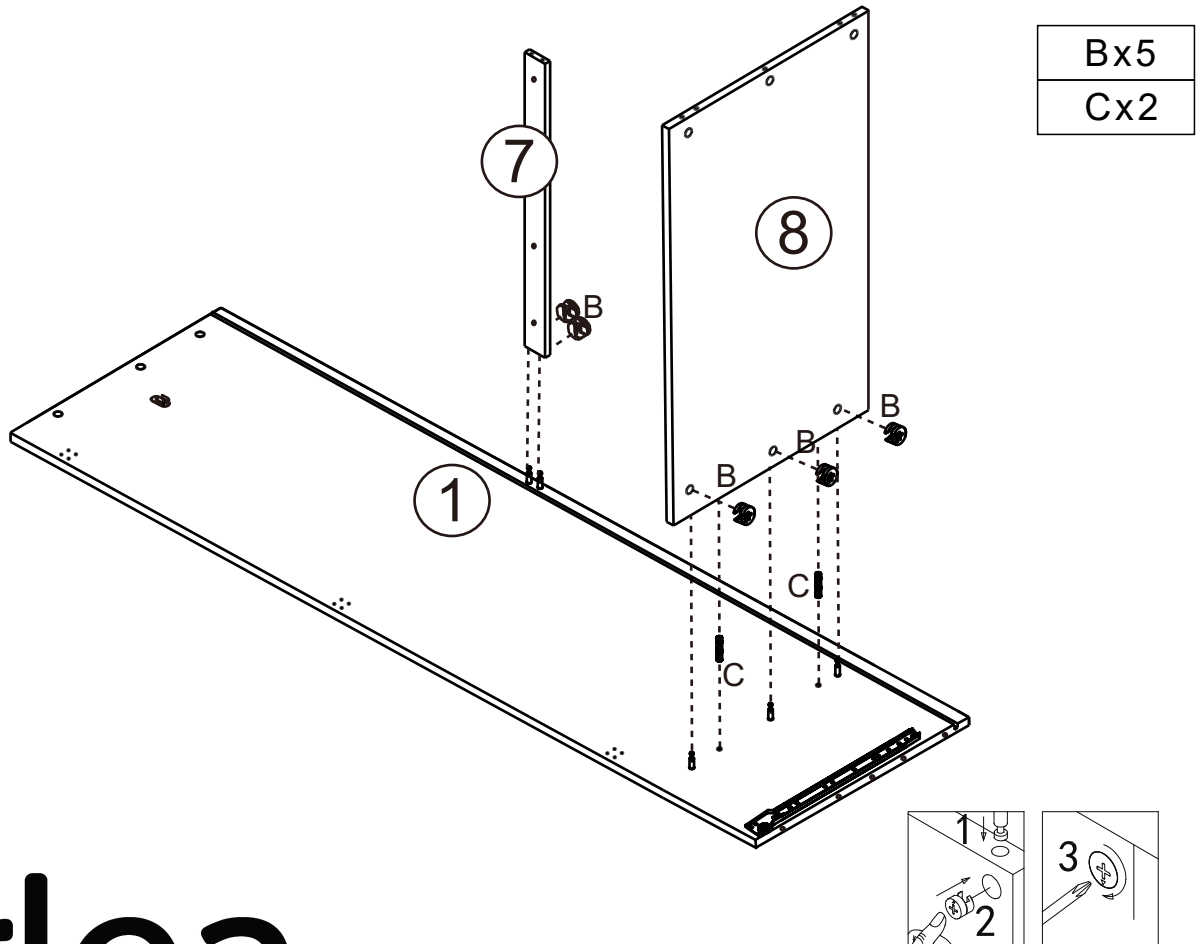
Then, attach the door stopper(R) on top panel(3) and middle divider(8).

DO NOT use any power tools as this may damage the frame and will invalidate any claim.



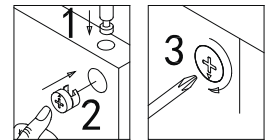
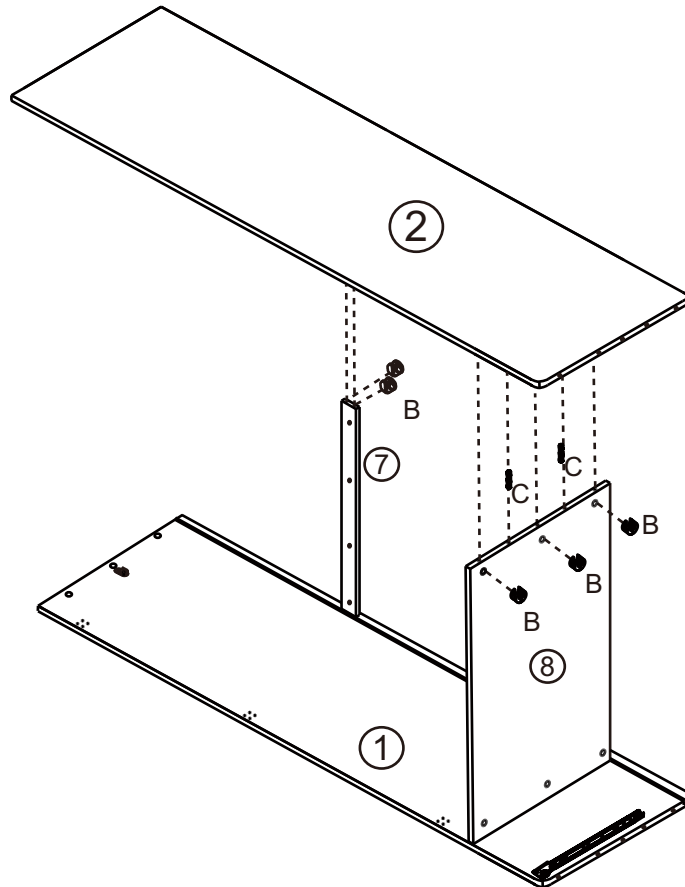
Step 6: Assemble the back rail(7),middle divider(8) with side panel(1) by hardware B,C;

DO NOT use any power tools as this may damage the frame and will invalidate any claim.



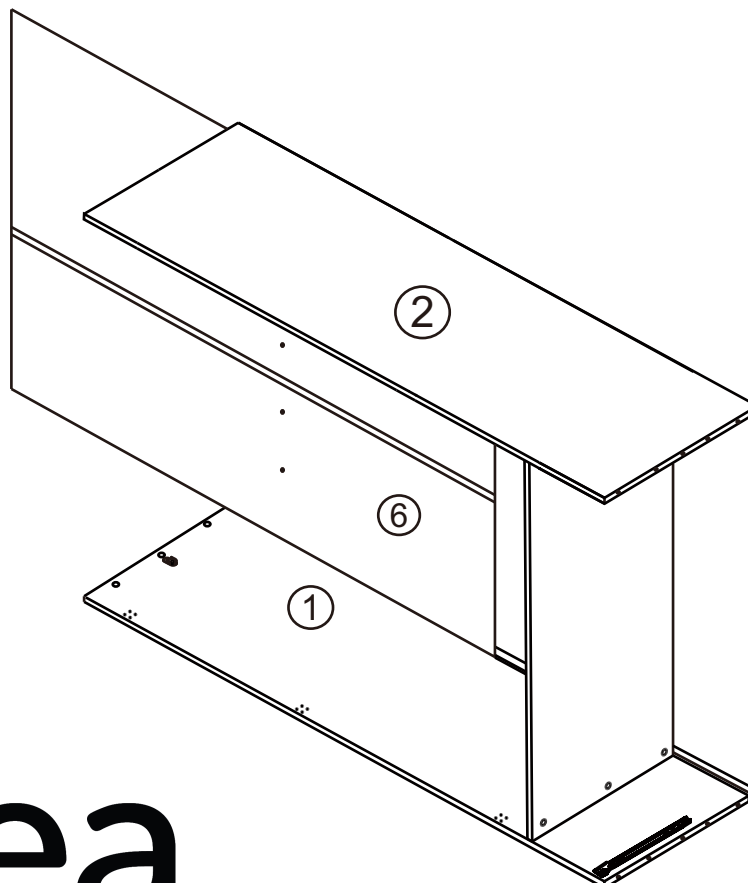
Step 7: Assemble the right side panel(2) by hardware B,C.

DO NOT use any power tools as this may damage the frame and will invalidate any claim.

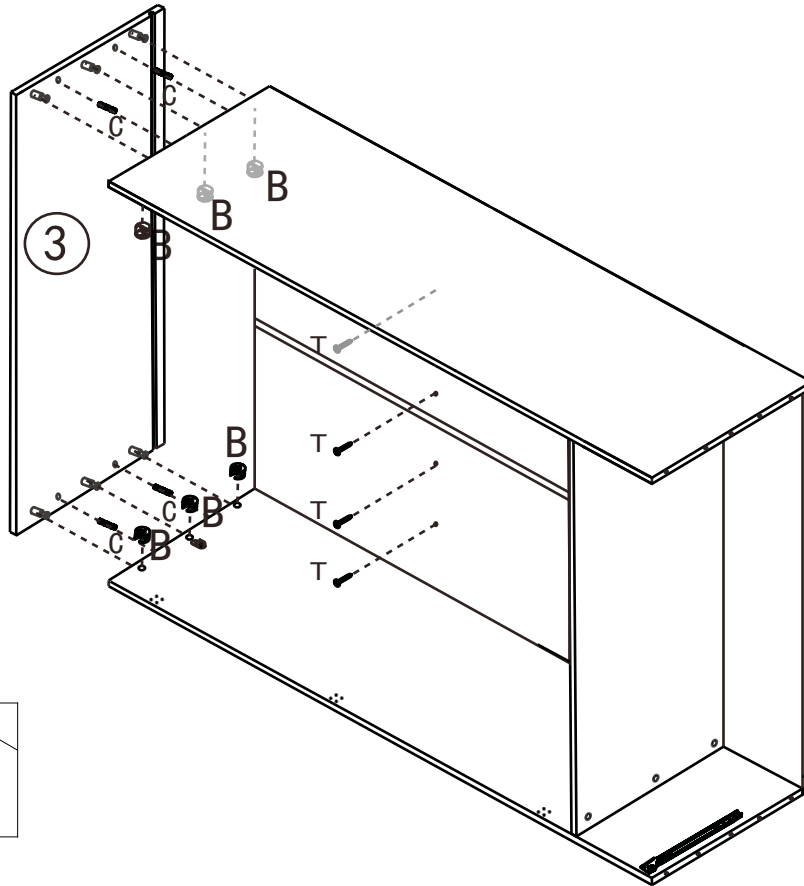


Step 8: Attach the back panel(6).

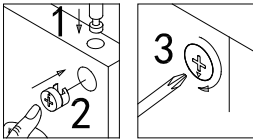
DO NOT use any power tools as this may damage the frame and will invalidate any claim.



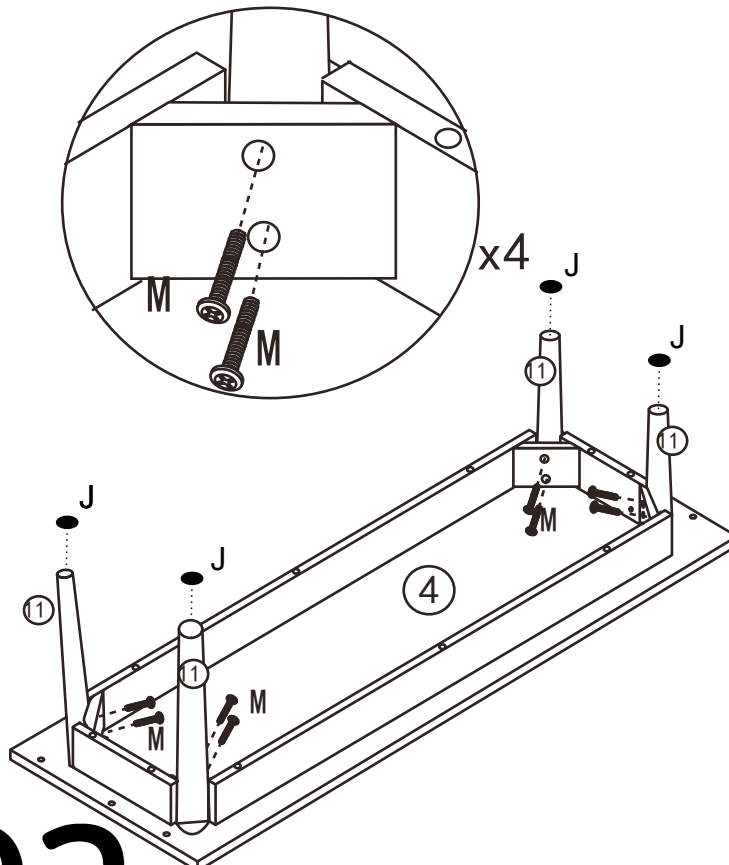
Step 9: Attach the top panel(3) with frame by hardware B,C;Then, connect the back panel&back rail by hardware T.
DO NOT use any power tools as this may damage the frame and will invalidate any claim.



Bx6
Cx4
Tx4



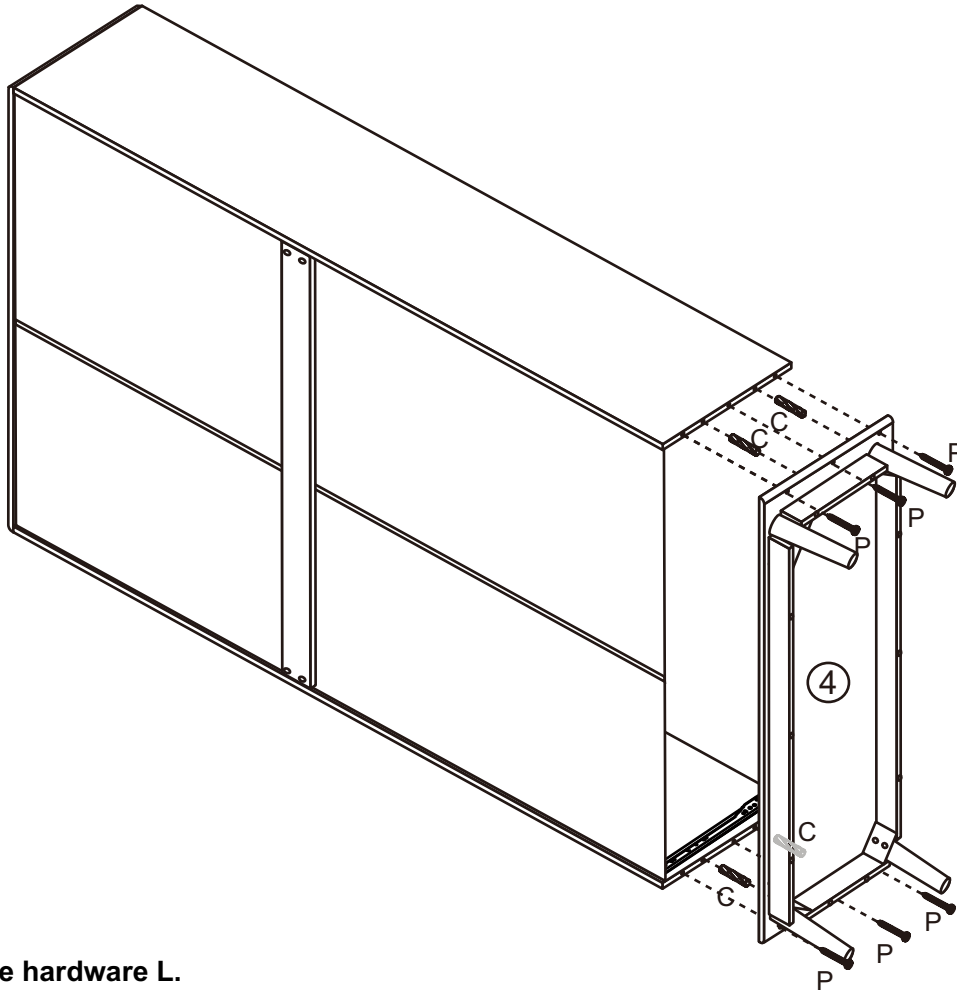
Step 10 Assemble the leg(11) with base frame(4) by hardware M; then attach the pads(J)
DO NOT use any power tools as this may damage the frame and will invalidate any claim.



Mx8
Jx4

Step 11: Assemble the base with frame by hardware C,P.

DO NOT use any power tools as this may damage the frame and will invalidate any claim.

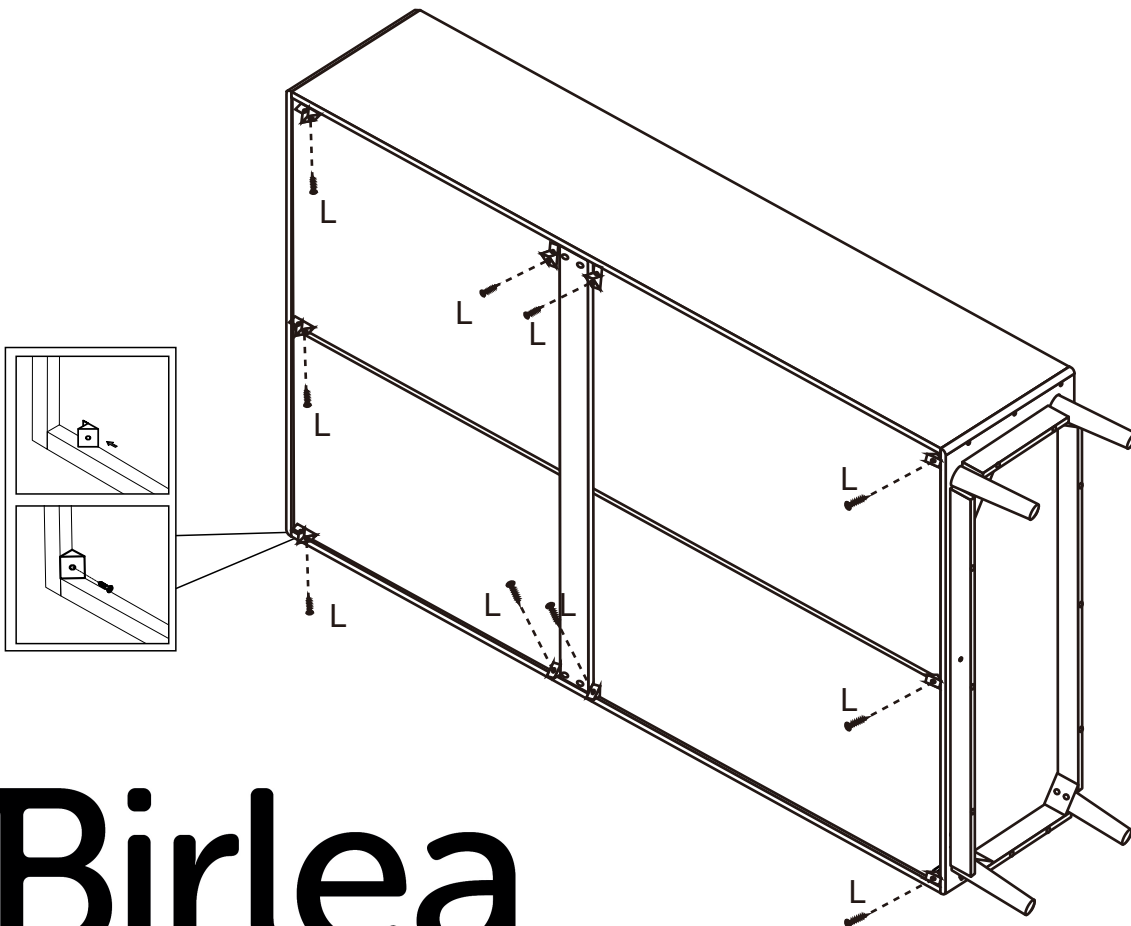


Cx4

Px6

Step 12: Attach the hardware L.

DO NOT use any power tools as this may damage the frame and will invalidate any claim.

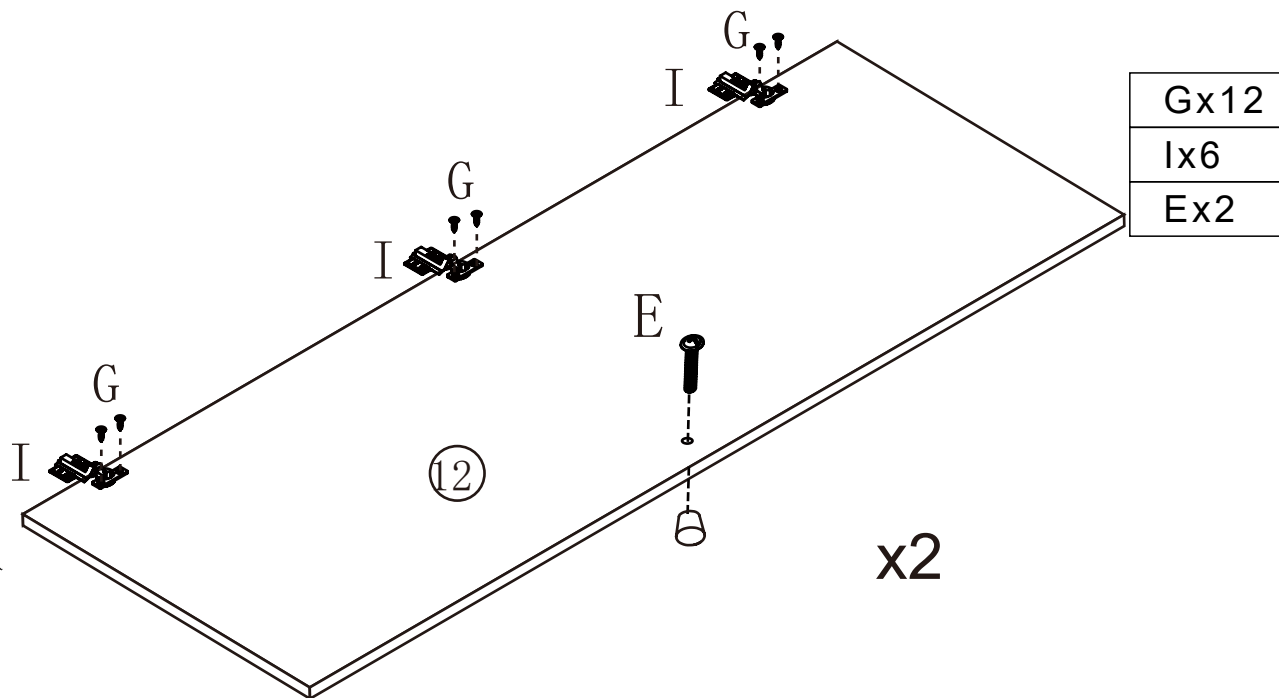


Lx10

Birlea®

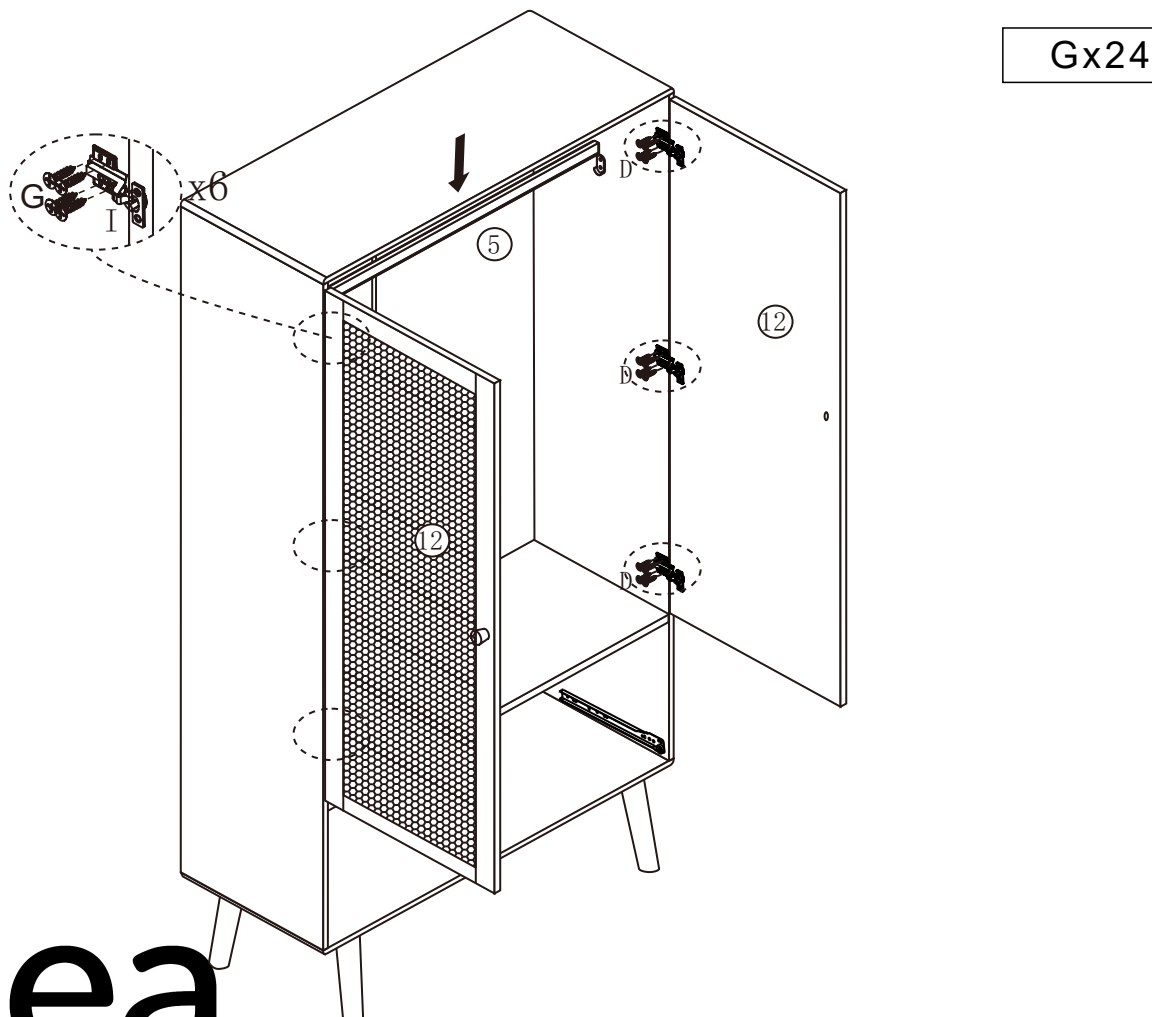
Step 13: Attach hardware I on door(12) by hardware D;
Then, attach the handle E.

DO NOT use any power tools as this may damage the frame and will invalidate any claim.

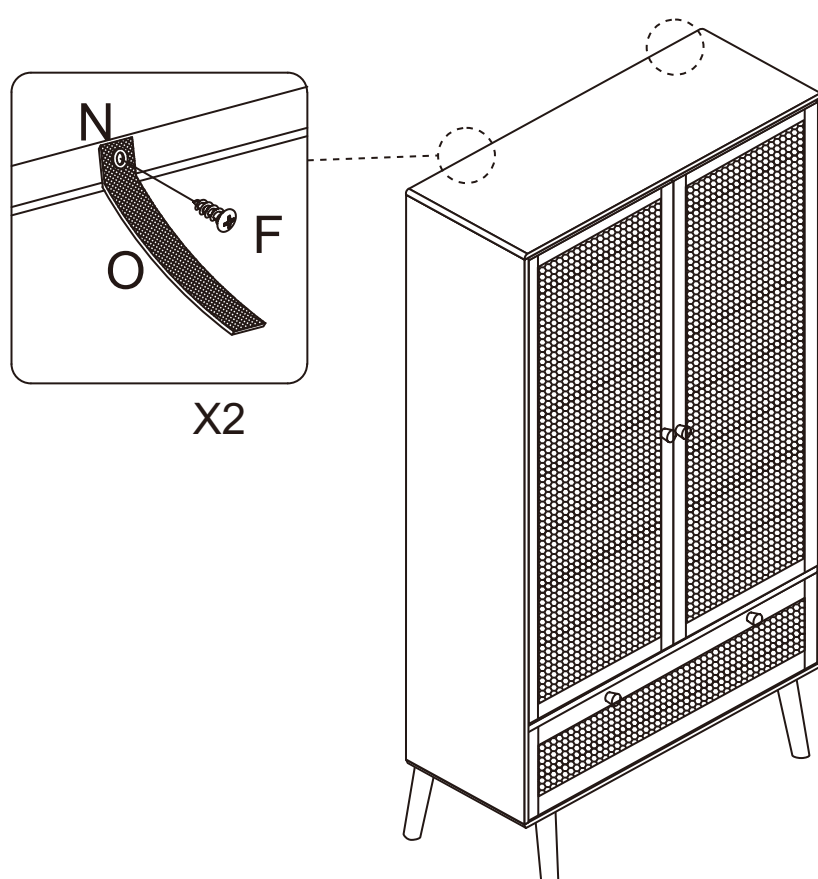


Step 14 : Assemble the door(12) with side panels(1),(2) by hardware G;
Attach the hanging rail(5);

DO NOT use any power tools as this may damage the frame and will invalidate any claim.



Step 15: Secure the safety strap (O) to the back of the table with the washer (N) and screw (F)



PLEASE NOTE that wall fixings are not supplied as different wall materials require different fixing devices. You must use fixings devices suitable for the type of wall you intend to mount product to. Ensure the head of any screw used has a diameter greater than the mounting hole and the fixing is safe and secure before use.

Birlea Furniture advise you use the wall straps provided to further enhance the safety of this product.

Additional Information:

- For complete product information, images and dimension diagrams please visit the website www.birlea.com
- If you have any issues with your item please contact the retailer directly you purchased it from who will be able to resolve any issues with Birlea.
- Why don't you send us photos of your assembled furniture to info@birlea.com to be shared in our #birleahome feature on instagram.