

Birlea®

Assembly Instructions

Thank you for
purchasing a
Birlea product.

For a chance to win a Love 2 Shop voucher simply post a picture of your new product on your preferred social channels tagging Birlea Furniture and using the hashtag **#ShareYourStyle** and **#Birlea**. One winner will be selected at random each month.

To view our full terms and conditions please visit www.birlea.com

Are you happy with your purchase?

Yes: That's great, we would love to hear more from you. Please leave us a review on our social media channels or Trustpilot. Your feedback will be greatly appreciated.

No: If for any reason there is something missing, indifferent or incorrect with your order, please contact the retailer you purchased the item from. We will work with the retailer to resolve your issue as quickly as possible.



ASSEMBLY INSTRUCTIONS **CROXLEY 5 DRAWER RATTAN CHEST**

IMPORTANT : READ THESE INSTRUCTIONS CAREFULLY BEFORE ATTEMPTING TO ASSEMBLE OR USE YOUR CROXLEY 5 DRAWER RATTAN CHEST.

PLEASE KEEP THESE INSTRUCTIONS FOR FUTURE REFERENCE.

Keep small children and pets away during assembly as there are small parts.

DO NOT USE ANY POWER TOOLS AS THEY MAY DAMAGE THE FURNITURE AND WILL INVALIDATE ANY CLAIM

ASSEMBLY:

Assembly should be carried out with this item laying flat, not standing upright.

Assemble on a soft, clean surface to prevent damages.

To erase the numbers printed on the pieces, use the rubber inside the accessories pack.

HEALTH & SAFETY:

DO NOT use this product if any parts are missing, damaged or worn.

DO NOT use this product unless all fixings are secured.

Always use on a level, even surface.

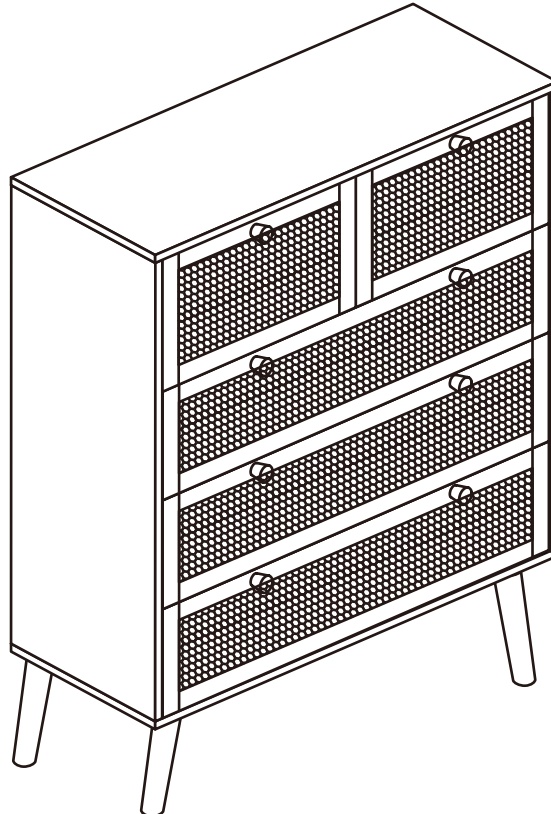
CARE & MAINTENANCE:

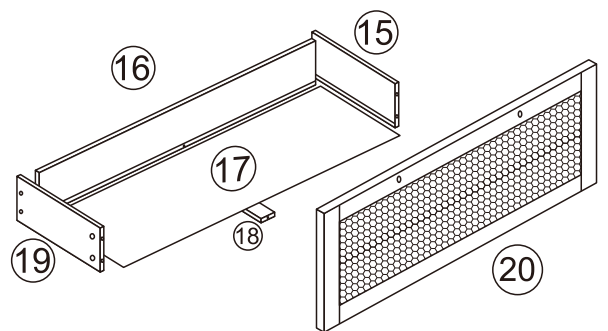
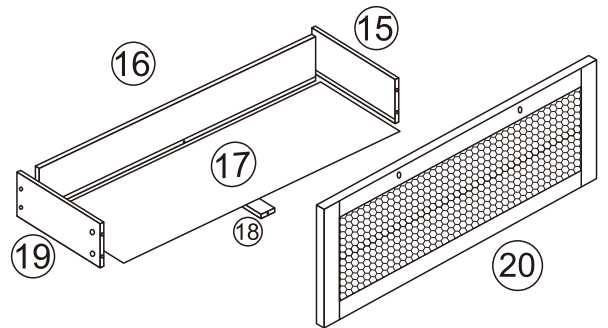
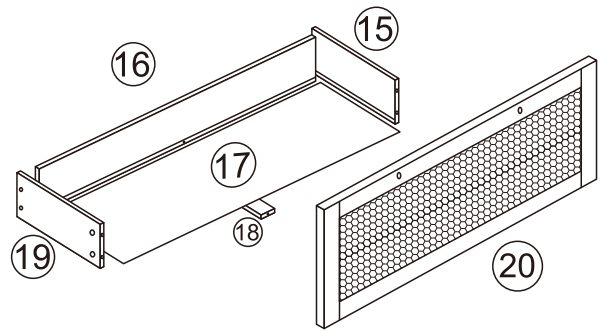
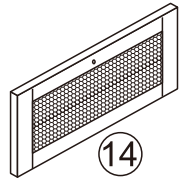
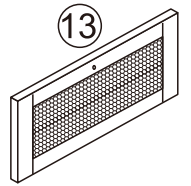
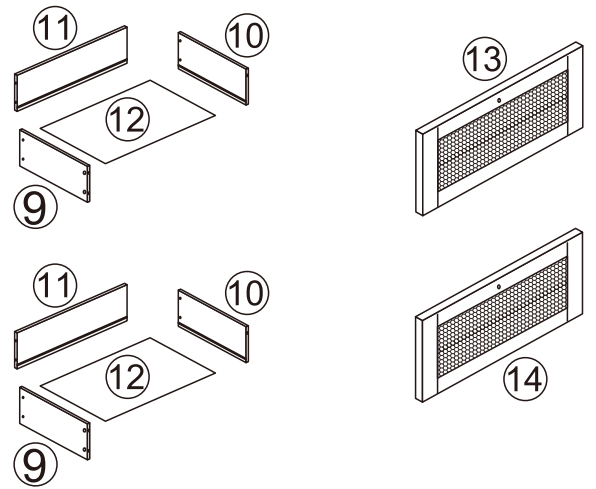
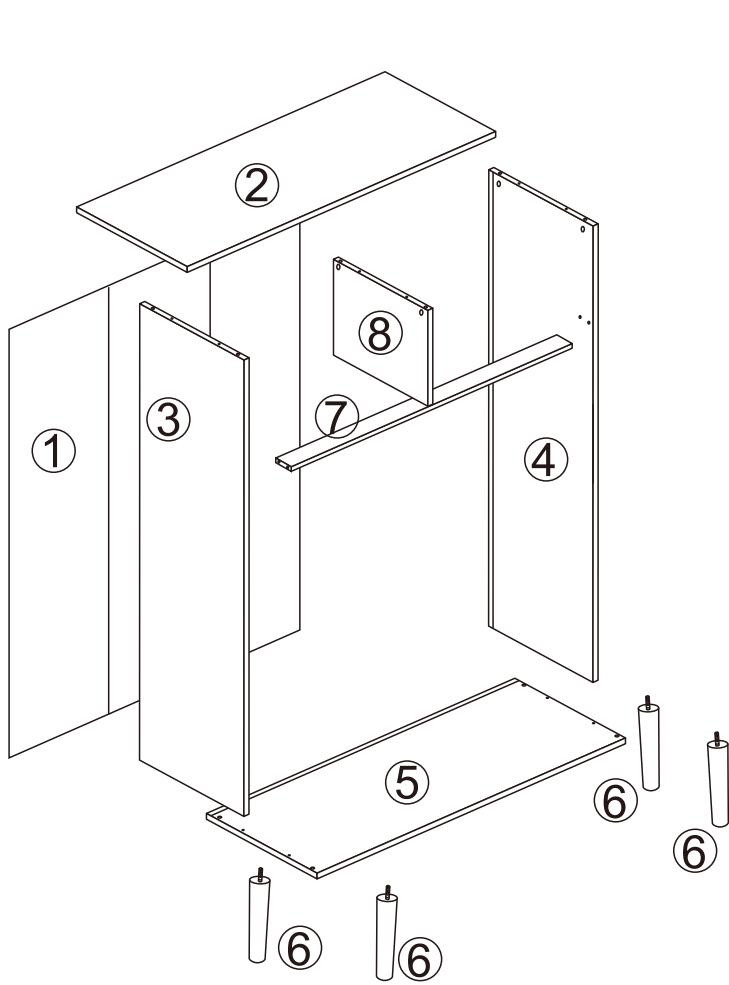
Periodically check all screws & fixings to ensure they are secure.




















DO NOT push this product as this will cause damage.

Always lift this product with two people to repositions.

Keep any sharp objects away from this product.





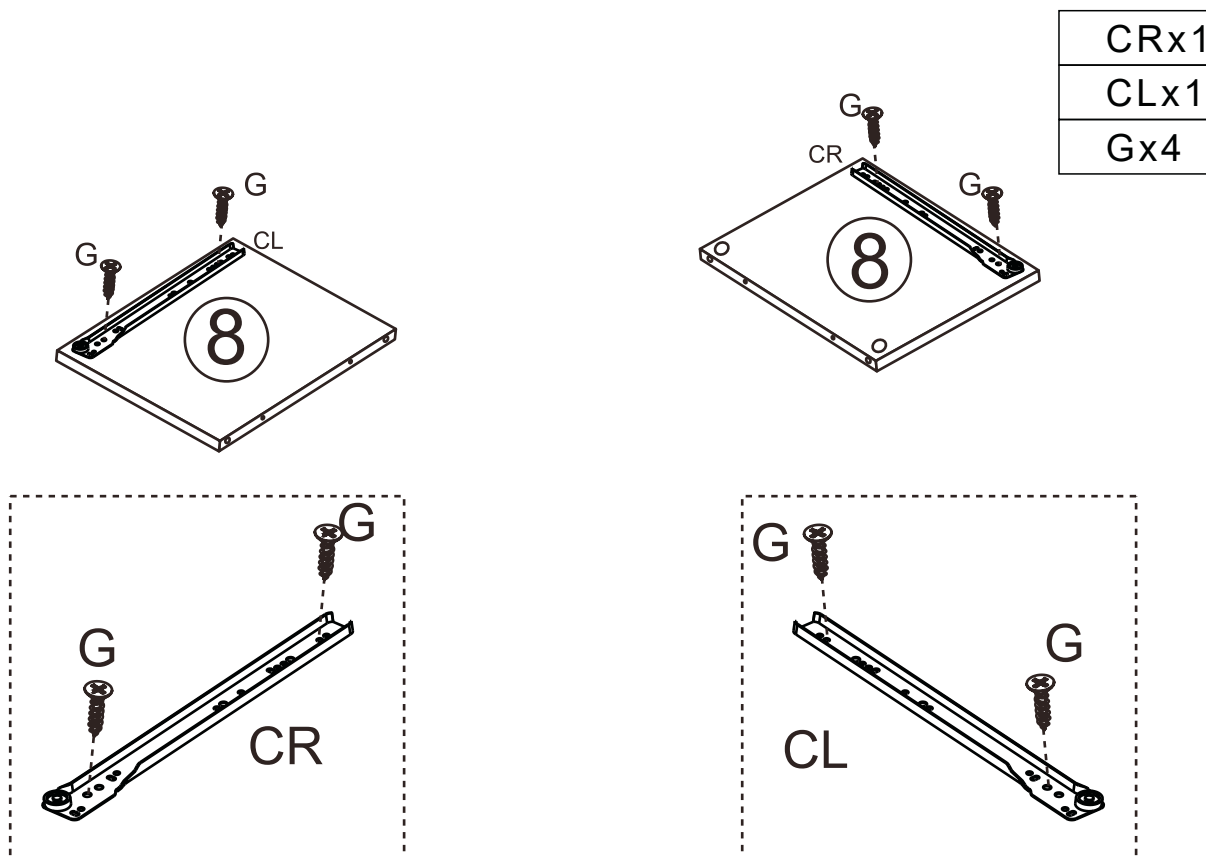
Parts List				Hardware List		
Part	Description	Box	Qty	Part	Description	Qty
1	Back Panel	1	1	A	CAMBOLT 	31
2	Top Panel	1	1	B	CAMLOCK 	31
3	Side Panel(Left)	2	1	C	Wooden Dowel 	19
4	Side Panel(Right)	2	1	D	Threaded Bolt 	22
5	Bottom Panel	1	1	E	Handle+Screw 	8
6	Wooden Leg	2	4	F	Domed head screw 	23
7	Cross Rail	1	1	G	Flathead screw 	48
8	Center Panel	2	1	H	Leg Bracket 	4
9	Drawer Side(Left)	2	2	I	Foot pad 	4
10	Drawer Side(Right)	2	2	J	Threaded Bolt 	5
11	Drawer Back	2	2	K	Sticker 	20
12	Drawer Bottom	2	2	L	Allen key 	1
13	Drawer Front(Left)	1	2	M	Washer 	2
14	Drawer Front(Right)	1	2	N	Safety strap 	2
15	Drawer Side(Right)	2	3	O	Plastic Wedge+Screw 	6
16	Drawer Back	1	3	DL	Drawer runner 	5
17	Drawer Bottom	1	3	DR	Drawer runner 	5
18	Drawer Support	2	3	CL	Drawer runner 	5
19	Drawer Side(Left)	2	3	CR	Drawer runner 	5
20	Drawer Front	1	3			

**** You will need a small mallet and a screwdriver for assembly.**

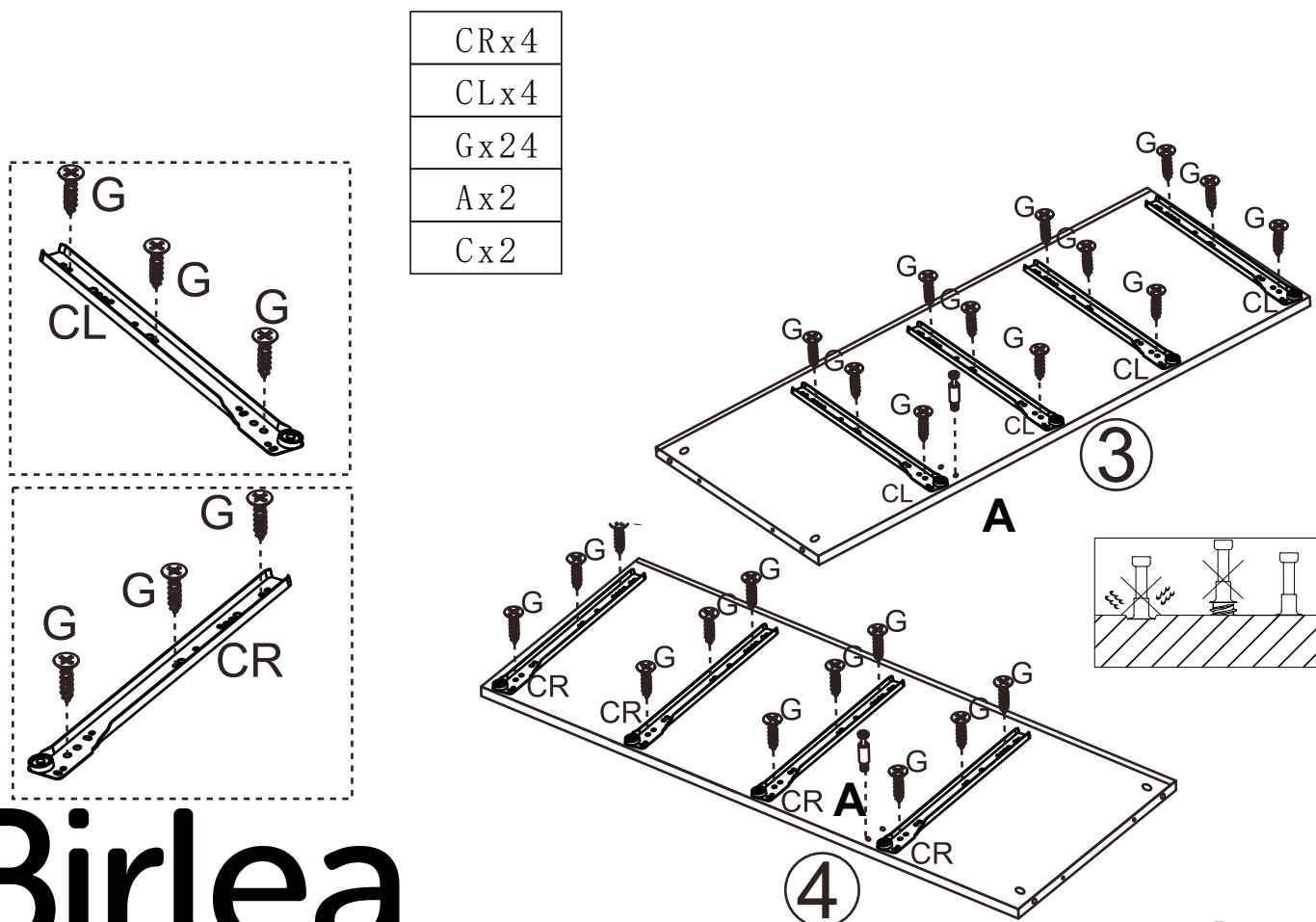
**** Some screws and wooden dowel may remain.**

**** Note : To secure the item to the wall.**

Step 1: Attach drawer runners (CL) and (CR) to either side of the middle divider (8) using flathead screws (G)



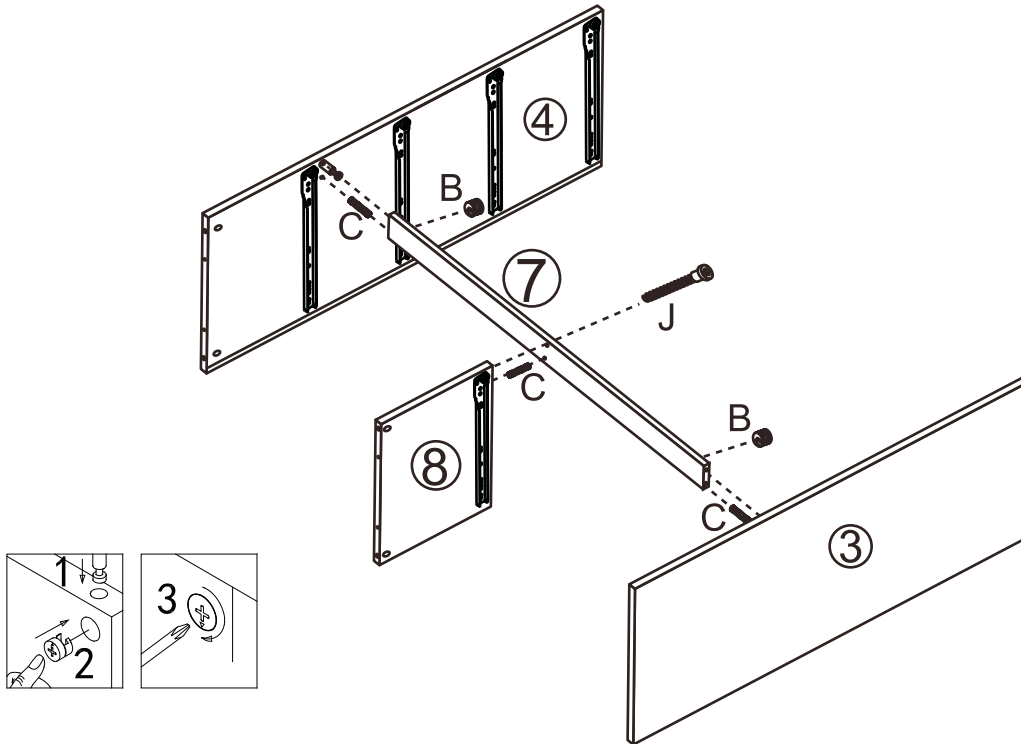
Step 2: Attach drawer runners (CL) to side panel (3) and runners (CR) to side panel (4) using flathead screws (G)
Insert cambolt (A) and a dowel (C) into each side panel (3) and (4)



Step 3: Attach the middle divider panel (8) to the cross rail (7) using threaded bolt (J) and a dowel (C)

Slide the ends of the cross rail (7) onto the dowels and cambolts on the side panels (3) and (4)
Insert the cam locks (B) into the cross rail and turn with a cross headed screwdriver to secure

Jx1
Cx3
Bx2

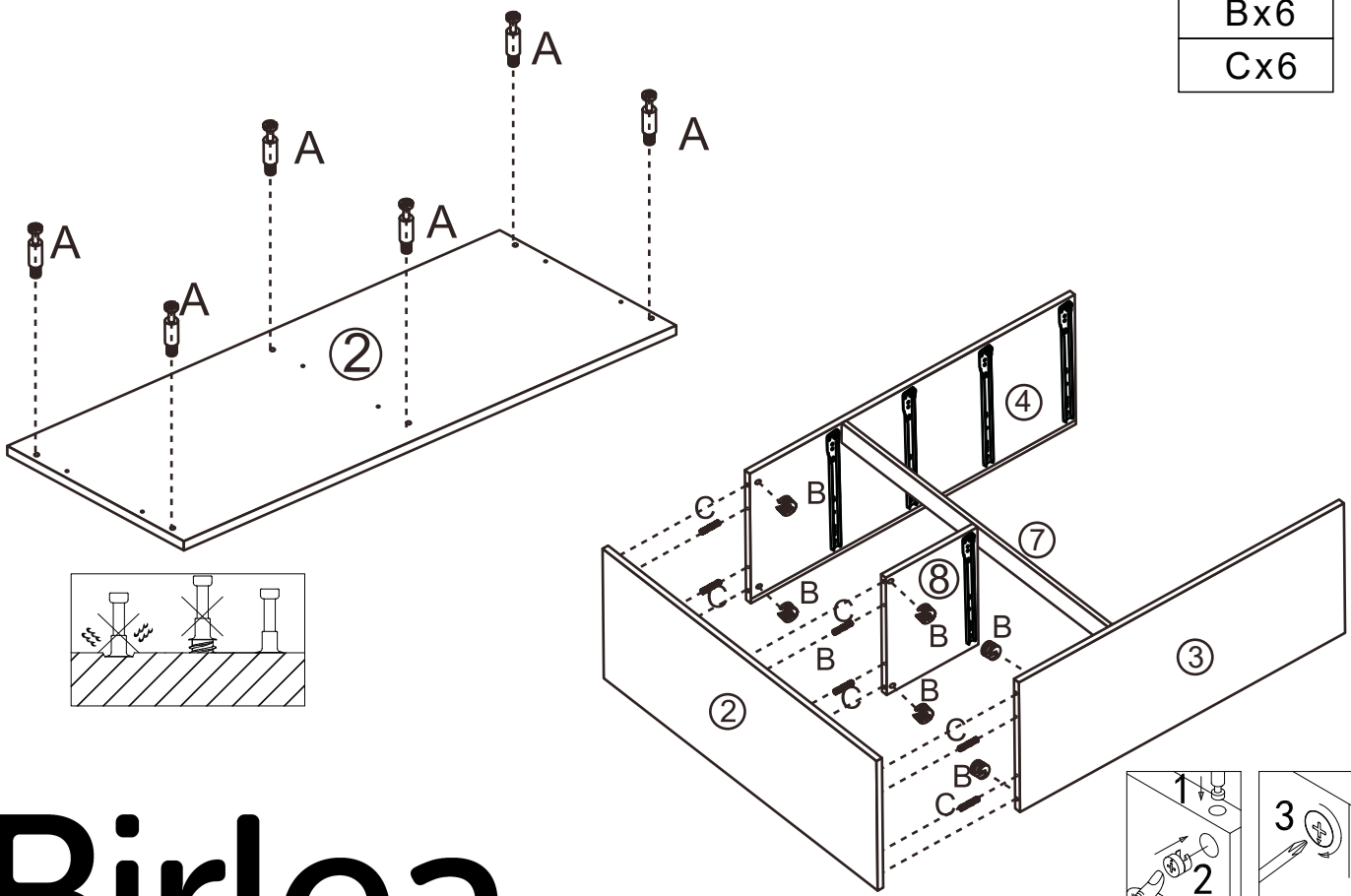


Step 4: Screw cambolts (A) and push dowels (C) into the top panel (2)

Then slide the top panel (2) onto the side panel construction

Insert the camlocks into the side panels (3) and (4) and the middle divider (8) and turn with a screwdriver to secure

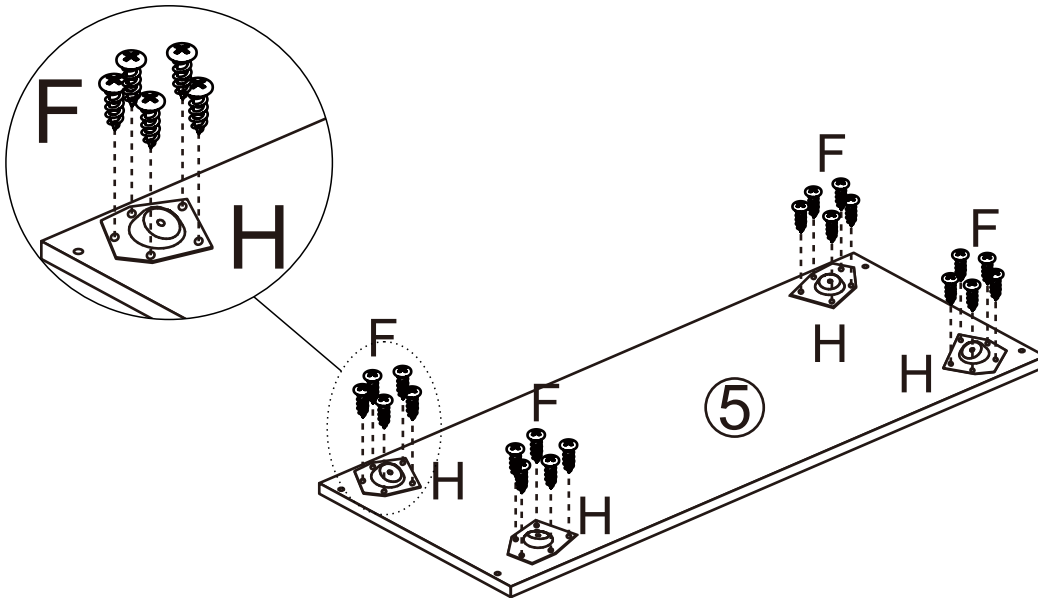
Ax6
Bx6
Cx6



Step 5: Attach the leg brackets (H) to the base panel (5) using screw (F)

Hx4

Fx20



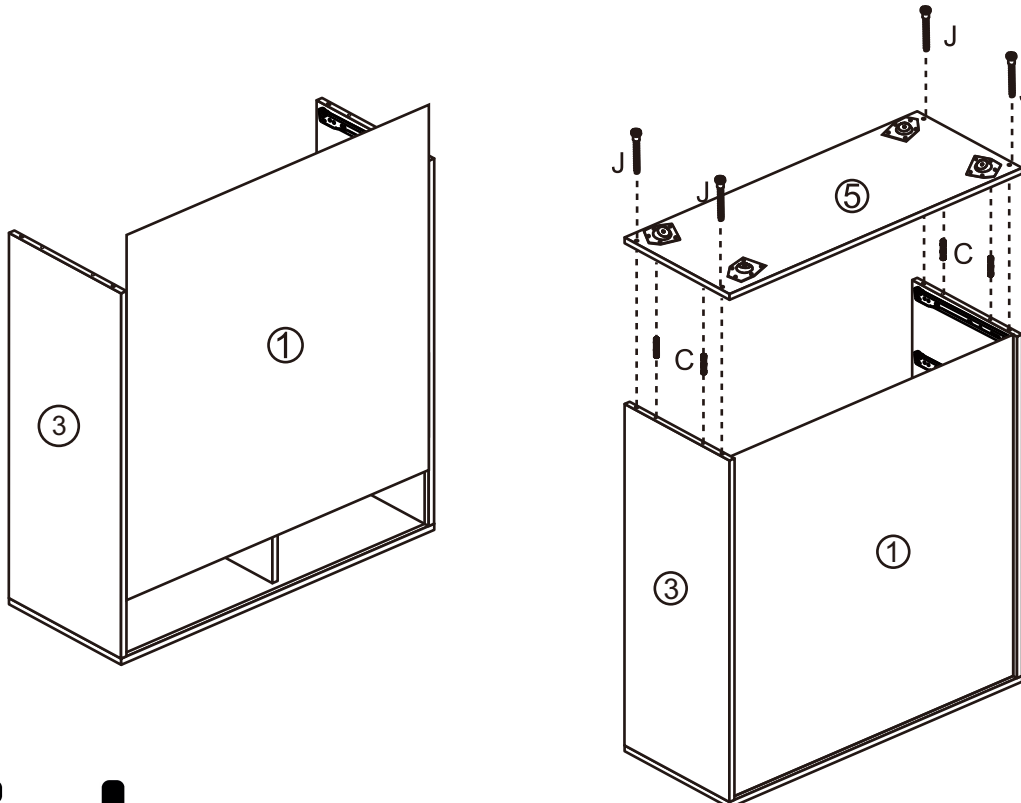
Step 6: Slide the back panel (1) into the grooves in the side panels and top panel

Push dowels (C) into the ends of the side panels (3) and (4)

Place the base panel (5) onto the side panels and secure with threaded bolts (J)

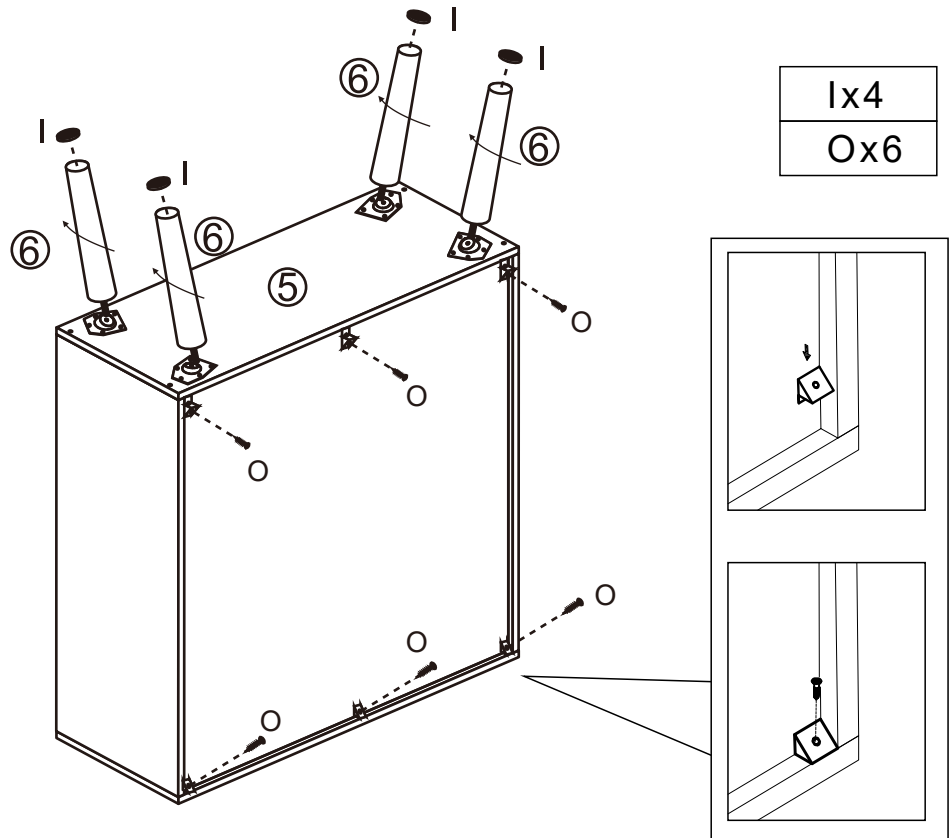
Cx4

Jx4

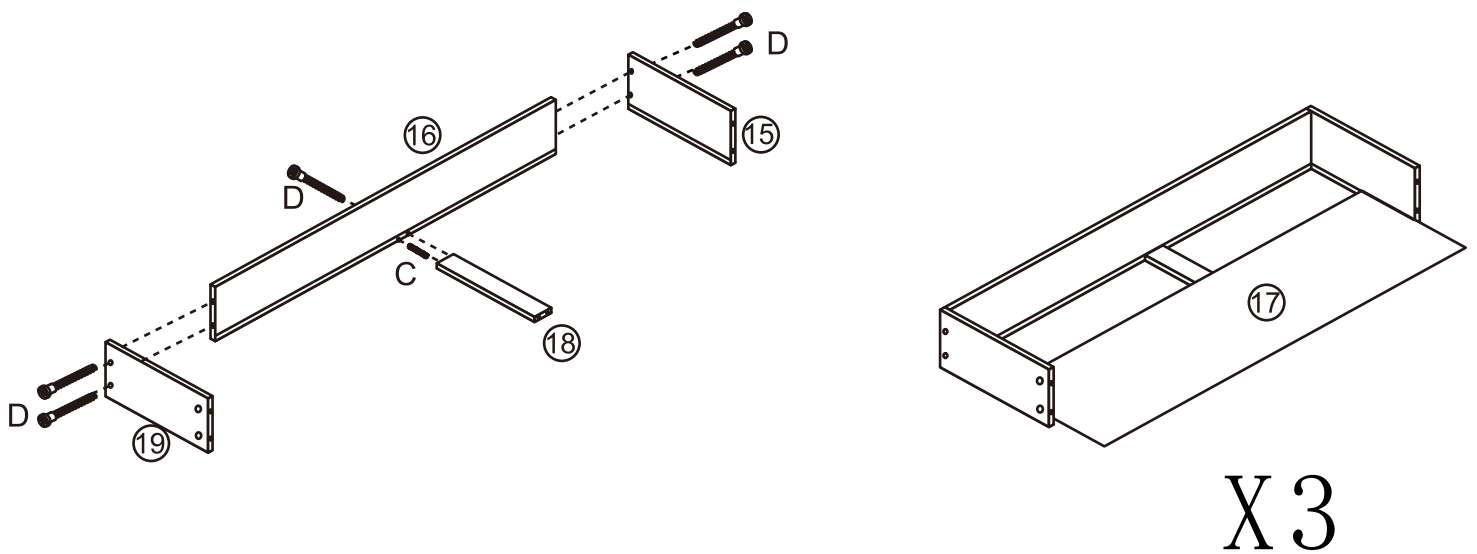


Birlea[®]

Step 7: Screw the legs (6) into the leg brackets (H) then attach the pads (I)
 Insert the plastic wedges (O) into the back panel groove and secure with the screws provided

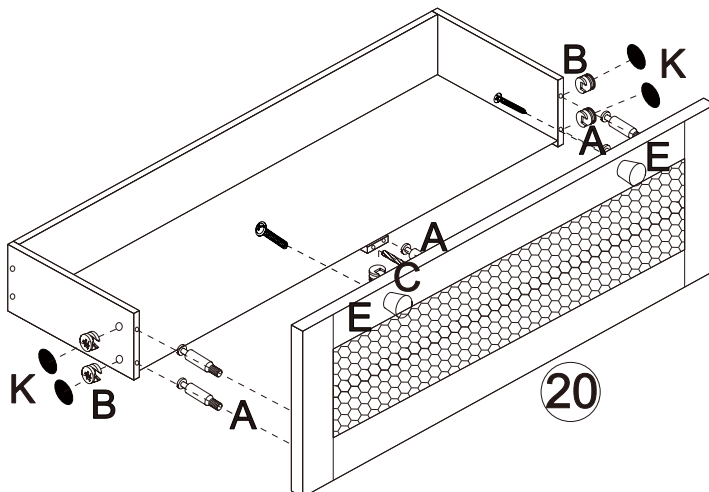
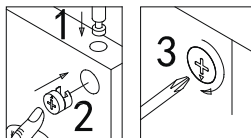
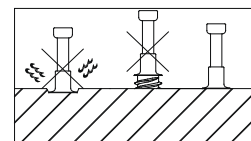


Step 8: Attach the drawer side panels (19) and (15) to the back panel (16) using threaded bolts (D)
 Push a wooden dowel (C) into both ends of the drawer support rail (18) then attach to the back panel (16) with a threaded bolt (D)
 Slide the drawer base (17) into the grooves in the side and back panels



Step 9: Screw the cambolts (A) into the drawer fronts (20), then slide the drawer front (20) onto the drawer box. Insert the cam locks (B) into the drawer side panels and rotate to secure. Cover the cams with the stickers (K). Attach handles (E) using the screws provided.

Ax15
Bx15
Kx12
Ex6
Cx6

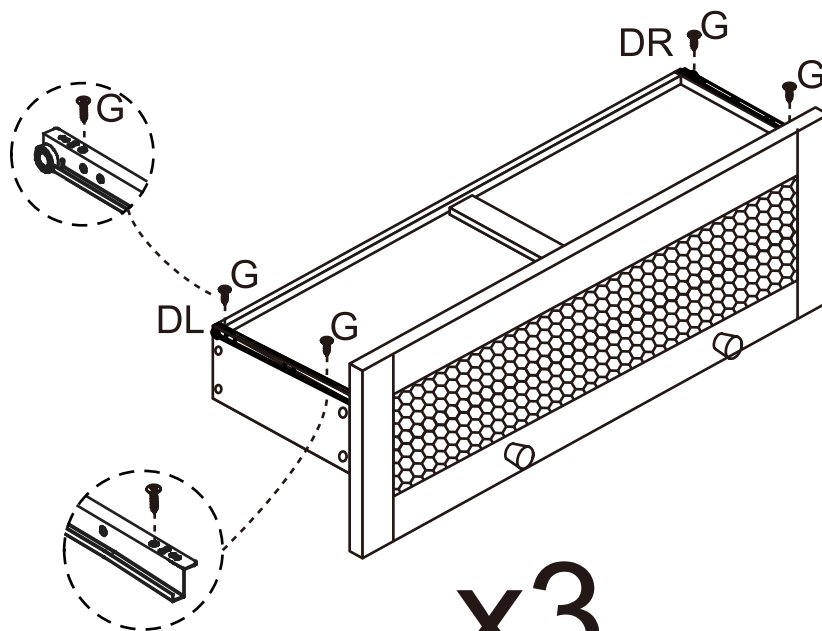


x3

Step 10:

Attach runners (DL) and (DR) to the drawer bases using screws (G)

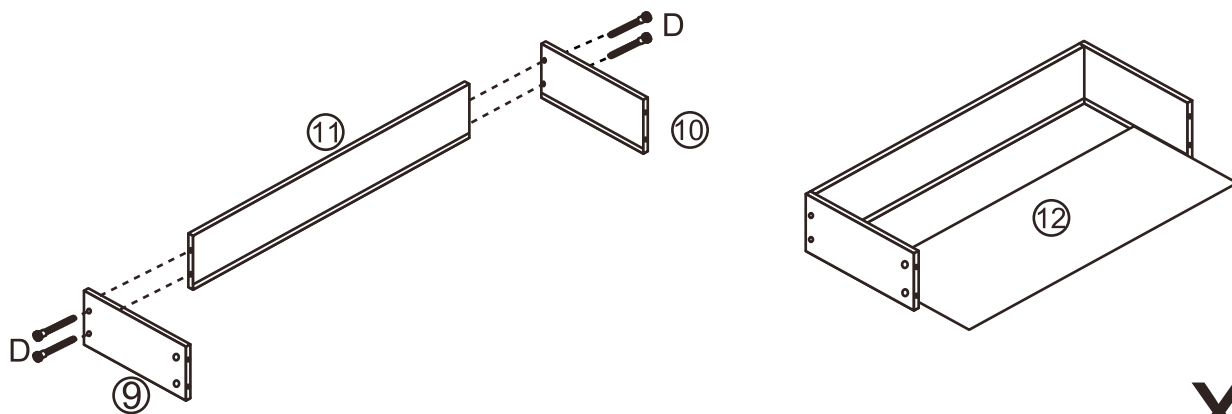
CLx3
CRx3
Gx12



x3

Step 11: Attach the drawer side panels (9) and (10) to the back panel (11) using threaded bolts (D)

Dx8



x2

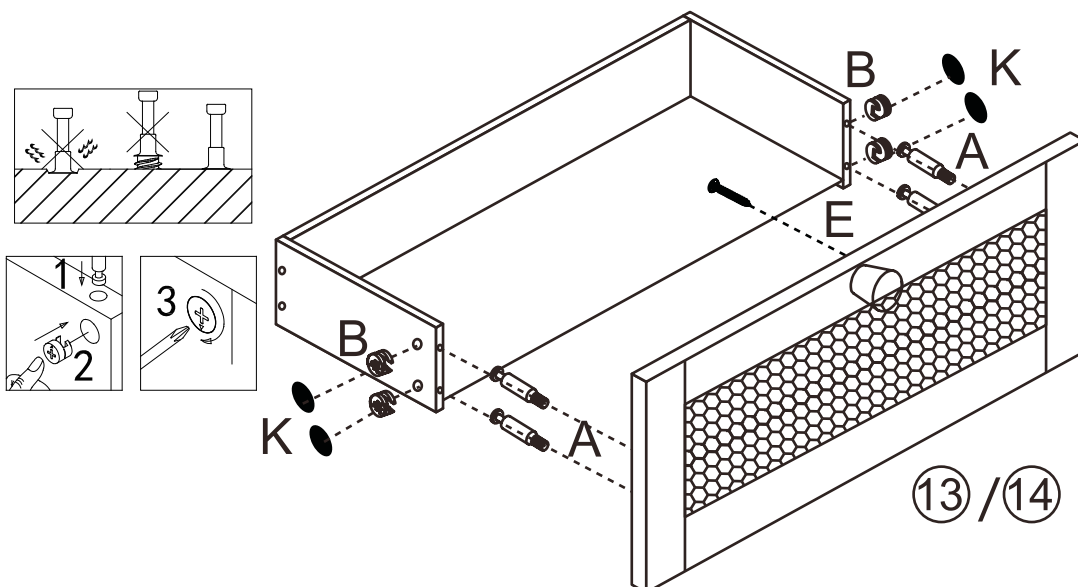
Step 12: Screw the cambolts (A) into the drawer fronts (13/14), then slide the drawer front (13/14) onto the drawer box. Insert the cam locks (B) into the drawer side panels and rotate to secure. Cover the cams with the stickers (K). Attach handles (E) using the screws provided.

Ax8

Bx8

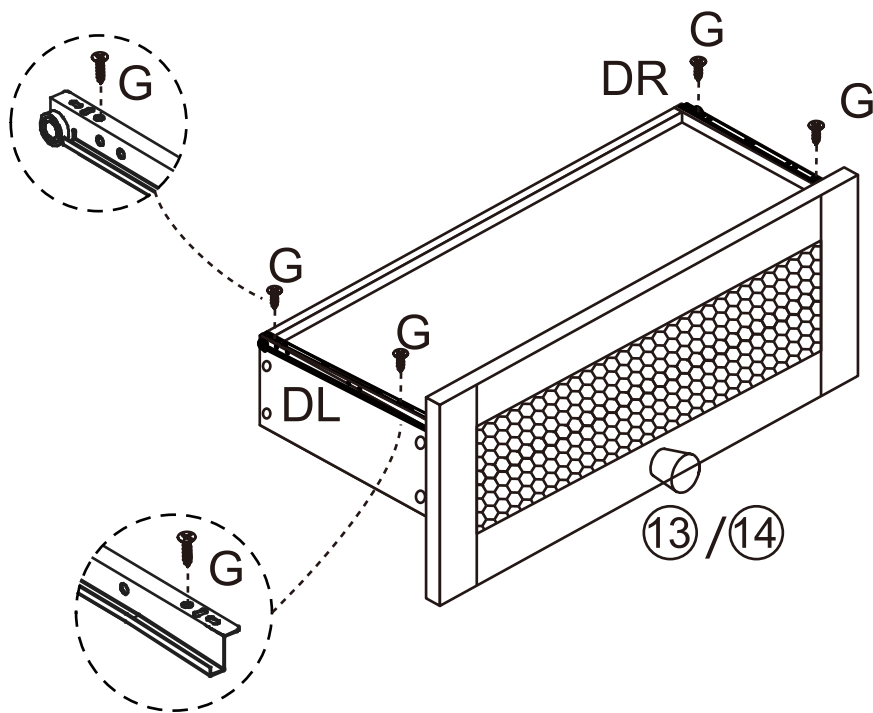
Kx8

Ex2

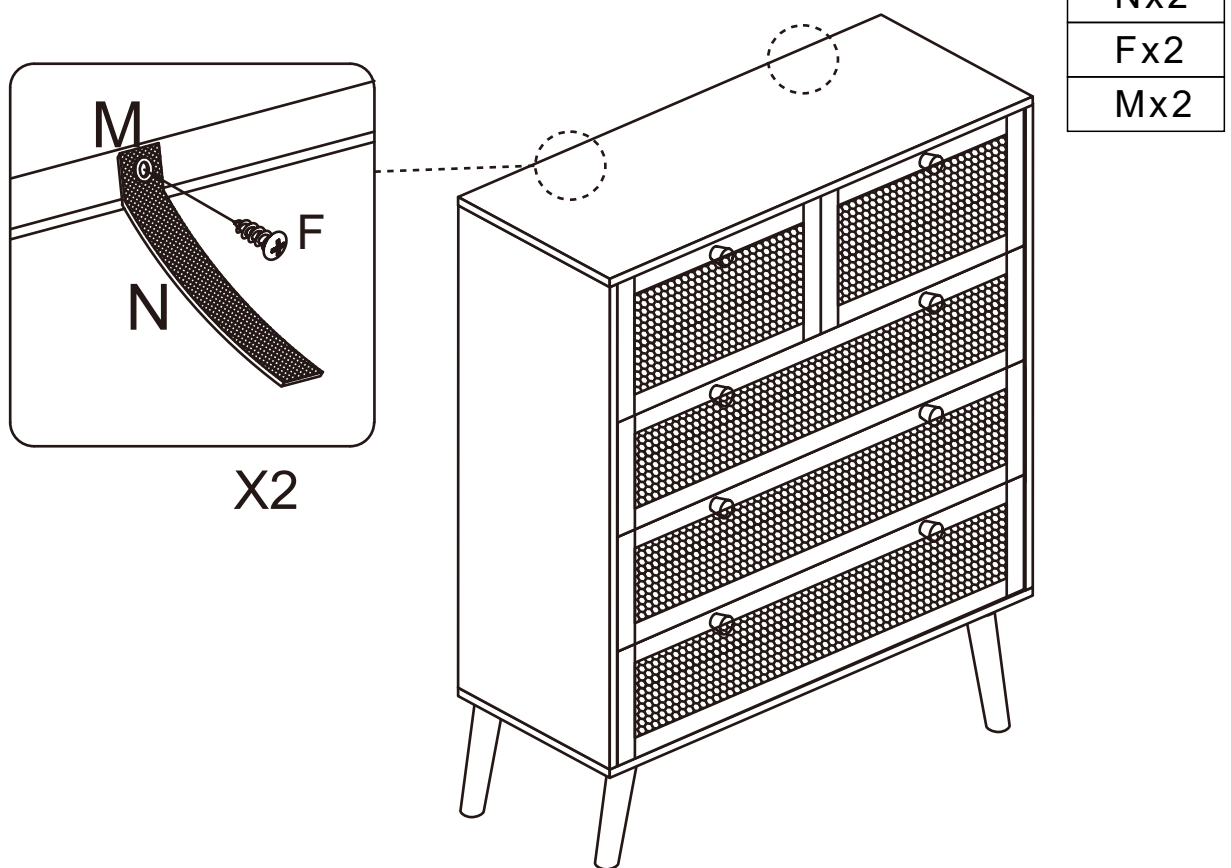


Step 13: Attach runners (DL) and (DR) to the drawer bases using screws (G)

CLx2
CRx2
Gx8



Step 14: Secure the safety strap (N) to the back of the table with the washer (M) and screw (F)



PLEASE NOTE that wall fixings are not supplied as different wall materials require different fixing devices. You must use fixings devices suitable for the type of wall you intend to mount product to. Ensure the head of any screw used has a diameter greater than the mounting hole and the fixing is safe and secure before use.

Birlea Furniture advise you use the wall straps provided to further enhance the safety of this product.

Additional Information:

- For complete product information, images and dimension diagrams please visit the website www.birlea.com
- If you have any issues with your item please contact the retailer directly you purchased it from who will be able to resolve any issues with Birlea.
- Why don't you send us photos of your assembled furniture to info@birlea.com to be shared in our #birleahome feature on instagram.