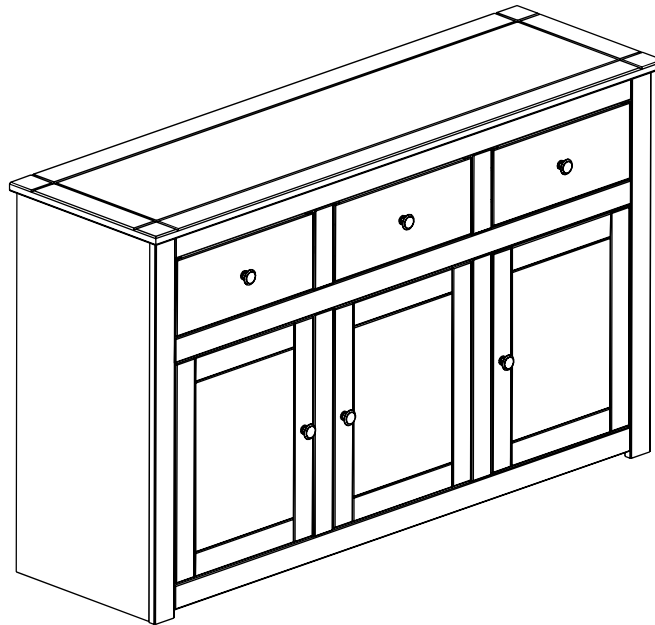


WHITE/NATURAL WAX

PANAMA 3 DOOR 3 DRAWER SIDEBOARD

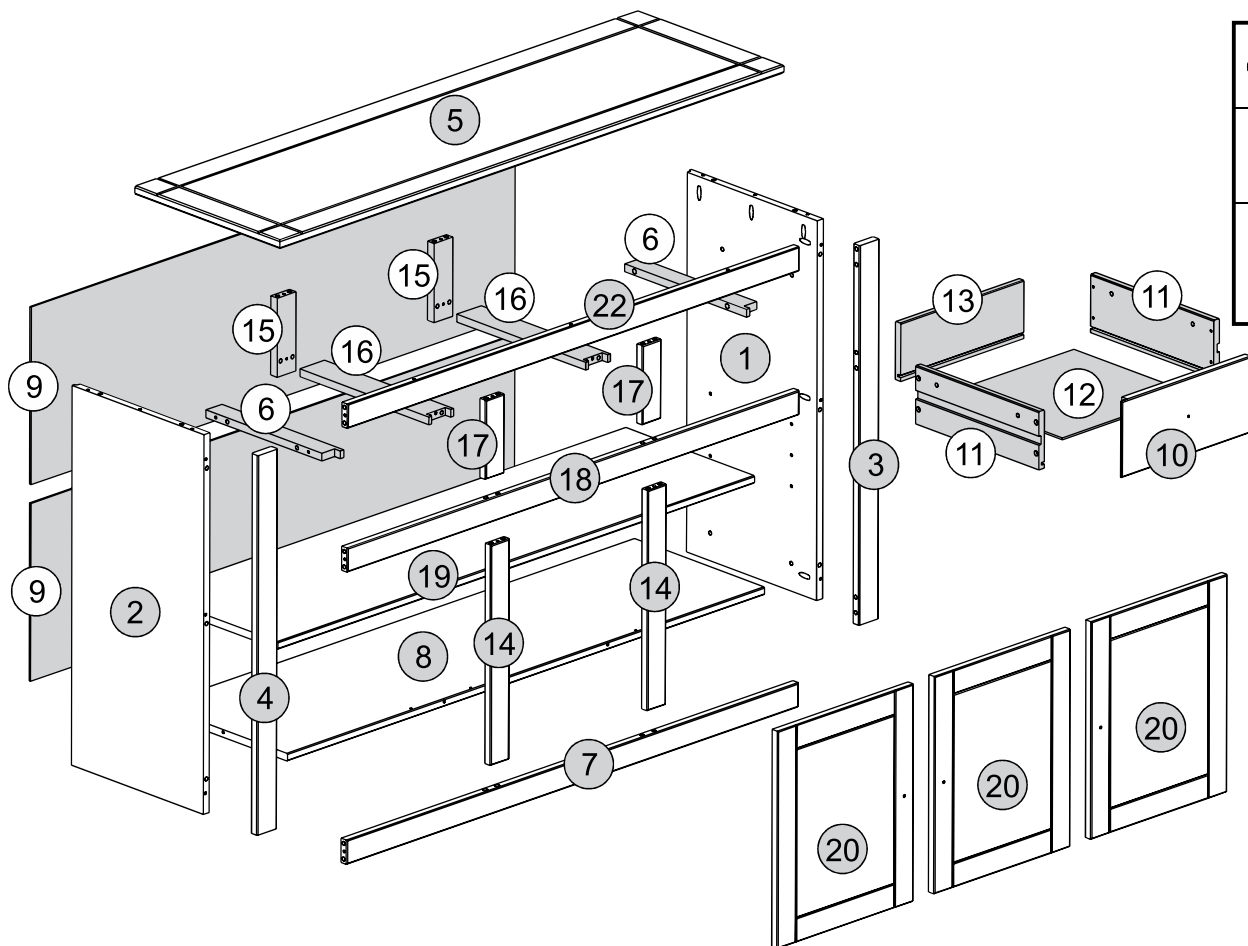
ASSEMBLY INSTRUCTIONS



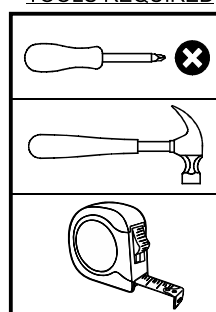
IMPORTANT
FOR DOMESTIC USE ONLY
PLEASE READ BEFORE YOU CONTINUE FURTHER

CARE AND MAINTENANCE

- After unpacking this product please keep the original packaging in case it needs to be returned for any reason.
- Please ensure all fittings and parts are present before commencing with assembly.
 - Never drag or push products as this could cause damage to the joints making it inferior.
 - We strongly recommend that you keep children away from your work area.
 - We recommend that you lay a blanket or sheet on the floor to avoid damage to both your floor and the product.
 - Assemble this product as close to its final position as possible.
 - Do not place this product next to a radiator or in direct sunlight.
 - Do not drag or push items across your high gloss furniture as this may cause the surface to scratch
 - Wood is a natural product and may expand if subjected to damp and may shrink or crack if subjected to heat. Therefore it is recommended that room temperature is maintained, with no sudden temperature fluctuations.
 - Make sure any spillage is wiped off immediately.
 - Do not place hot or chilled items directly on to the surface, use a place mat or marking will occur.
 - For general cleaning use a soft cotton or micro fibre cloth, and do not use detergents of any kind.
 - From time to time it may be necessary to tighten fittings, regular inspections should be carried out.
 - Do not place on a wet or damp floor as staining may occur to your floor.



TOOLS REQUIRED

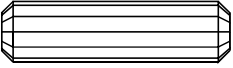

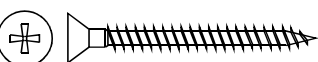

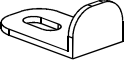

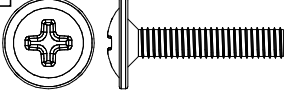
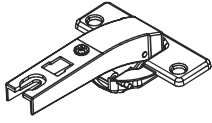

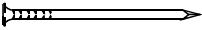
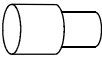
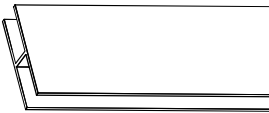

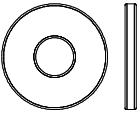


PARTS LIST

Please Note:
The below parts have all been stamped with the part number to help identify them during assembly.

Part Number	Part Code	Part Description	Quantity	Carton
1	S400-405-043-MY1-01	Right Side Panel	1	1/1
2	S400-405-043-MY1-02	Left Side Panel	1	1/1
3	S400-405-043-MY1-03	Right Front Upright	1	1/1
4	S400-405-043-MY1-04	Left Front Upright	1	1/1
5	S400-405-043-MY1-05	Top Panel	1	1/1
6	S400-405-043-MY1-06	Drawer Runner	2	1/1
7	S400-405-043-MY1-07	Bottom Front Crossbeam	1	1/1
8	S400-405-043-MY1-08	Base	1	1/1
9	S400-405-043-MY1-09	Back Panel	2	1/1
10	S400-405-043-MY1-10	Drawer Front	3	1/1
11	S400-405-043-MY1-11	Drawer Side	6	1/1
12	S400-405-043-MY1-12	Drawer Bottom	3	1/1
13	S400-405-043-MY1-13	Drawer Back	3	1/1
14	S400-405-043-MY1-14	Centre Front Upright	2	1/1
15	S400-405-043-MY1-15	Back Upright	2	1/1
16	S400-405-043-MY1-16	Centre Drawer Runner	2	1/1
17	S400-405-043-MY1-17	Centre Front Upright	2	1/1
18	S400-405-043-MY1-18	Centre Front Crossbeam	1	1/1
19	S400-405-043-MY1-19	Adjustable Shelf	1	1/1
20	S400-405-043-MY1-20	Door	3	1/1
22	S400-405-043-MY1-22	Top Front Crossbeam	1	1/1

FITTINGS LIST

<p>A</p>  <p>+/2 Dowel Ø8,0 x 30mm (64x)</p>	<p>B</p>  <p>+/2 Pan Head Screw Ø3,5 x 30mm (50x)</p>	<p>C</p>  <p>+/2 Flat Head Screw Ø3,0 x 30mm (24x)</p>	<p>D</p>  <p>+/2 Flat Head Screw Ø3,5 x 14mm (27x)</p>
<p>E</p>  <p>Knocker (3x)</p>	<p>F</p>  <p>Handle (6x)</p>	<p>G</p>  <p>+/1 Flan Head Screw M4 x 22mm (6x)</p>	<p>H</p>  <p>Hinge (6x)</p>
<p>I</p>  <p>Hinge (6x)</p>	<p>J</p>  <p>+/2 Nail 10x10 (34x)</p>	<p>K</p>  <p>+/1 Plastic Support (4x)</p>	<p>L</p>  <p>1275mm (1x)</p>
<p>M</p>  <p>Anti - Tip - Kit (2x)</p>	<p>N</p>  <p>+/1 Washer (4x)</p>		

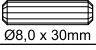
STEP 1

PARTS REQUIRED

1 - RIGHT SIDE PANEL x1

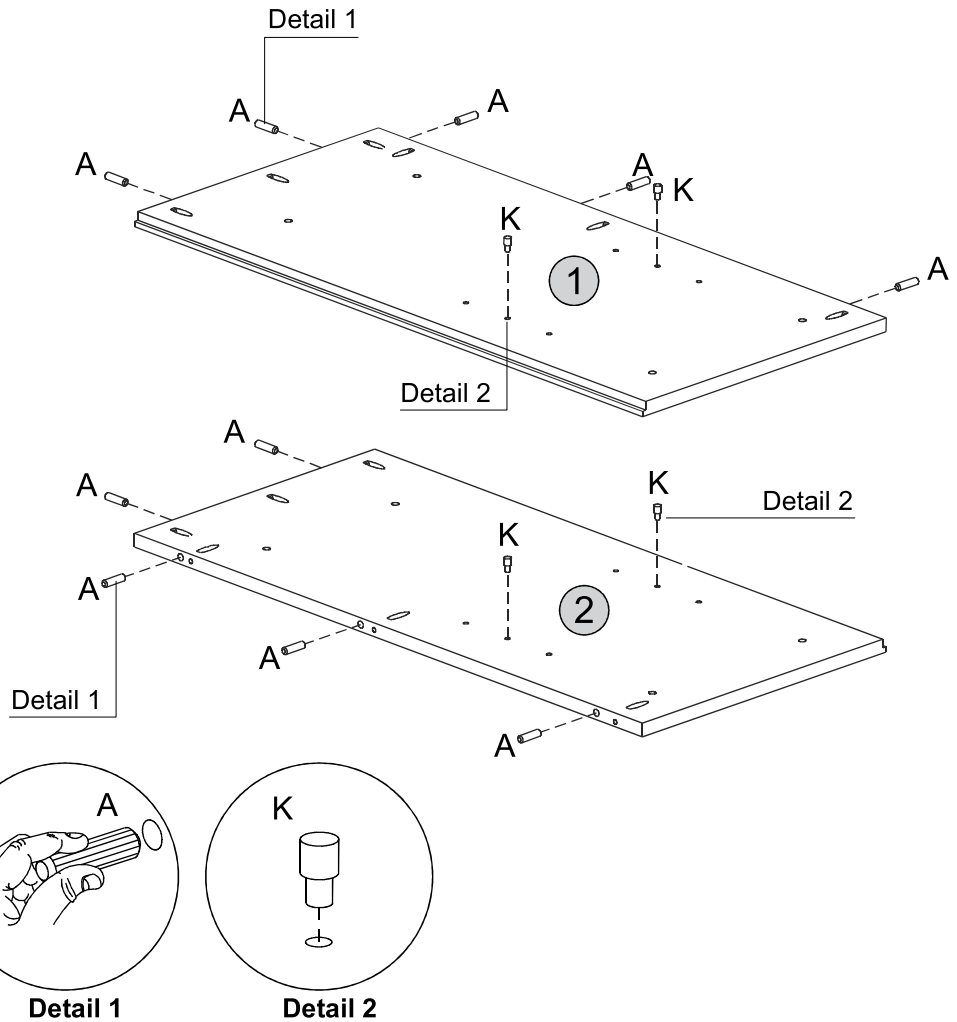
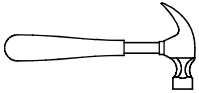
2 - LEFT SIDE PANEL x1

HARDWARE REQUIRED

A  10
Ø8,0 x 30mm

K  04
Plastic Support

TOOLS REQUIRED



STEP 2

PARTS REQUIRED

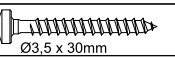
1 - RIGHT SIDE PANEL x1

2 - LEFT SIDE PANEL x1

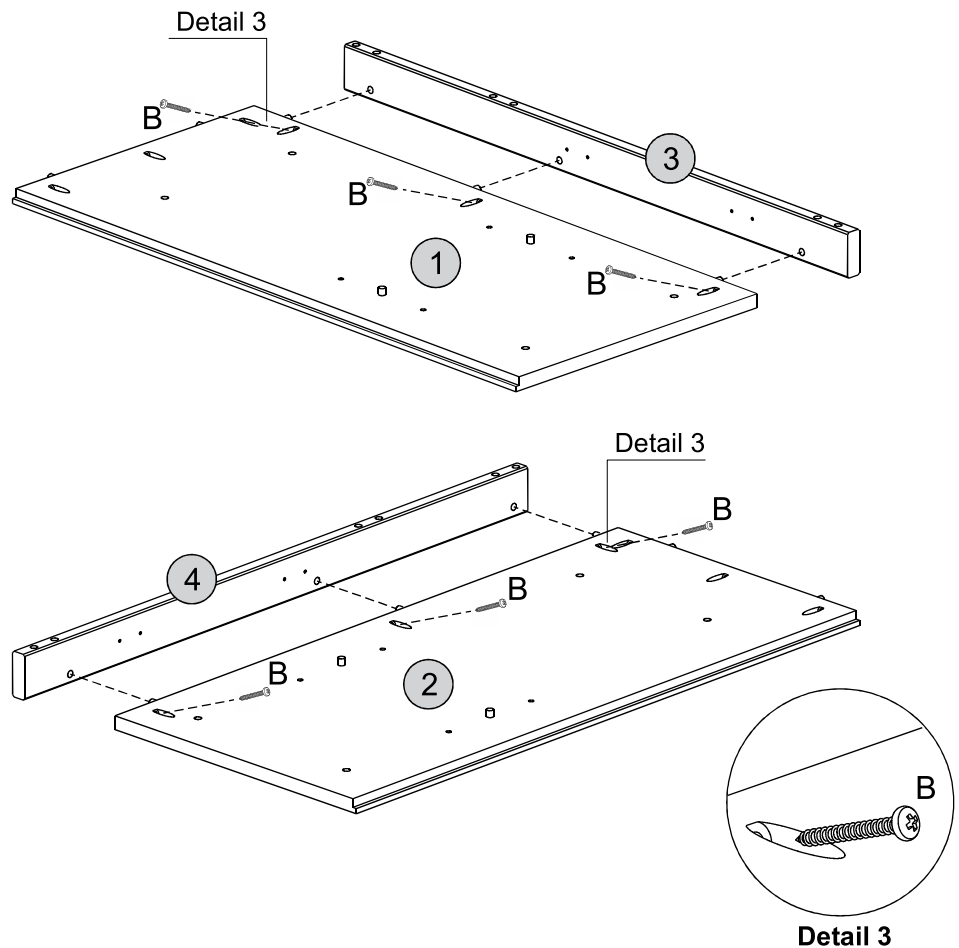
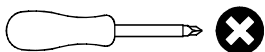
3 - RIGHT FRONT UPRIGHT x1

4 - LEFT FRONT UPRIGHT x1

HARDWARE REQUIRED

B  06
Ø3,5 x 30mm

TOOLS REQUIRED

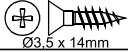



STEP 3

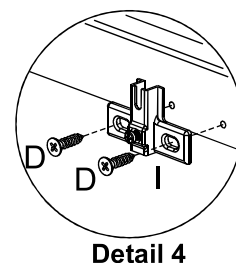
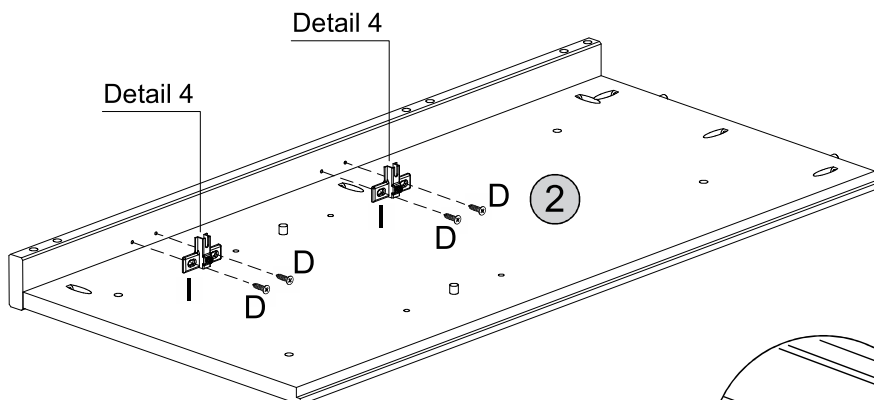
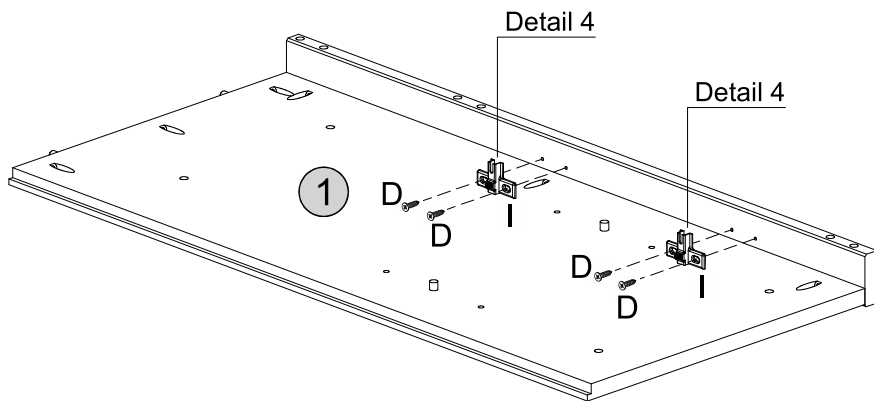
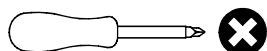
PARTS REQUIRED

- 1 - RIGHT SIDE PANEL x1
- 2 - LEFT SIDE PANEL x1

HARDWARE REQUIRED

- D  08
Ø3.5 x 14mm
- I  04
Hinge

TOOLS REQUIRED

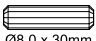


STEP 4

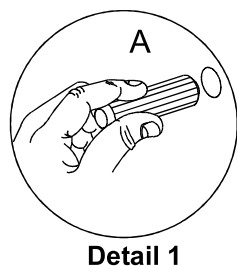
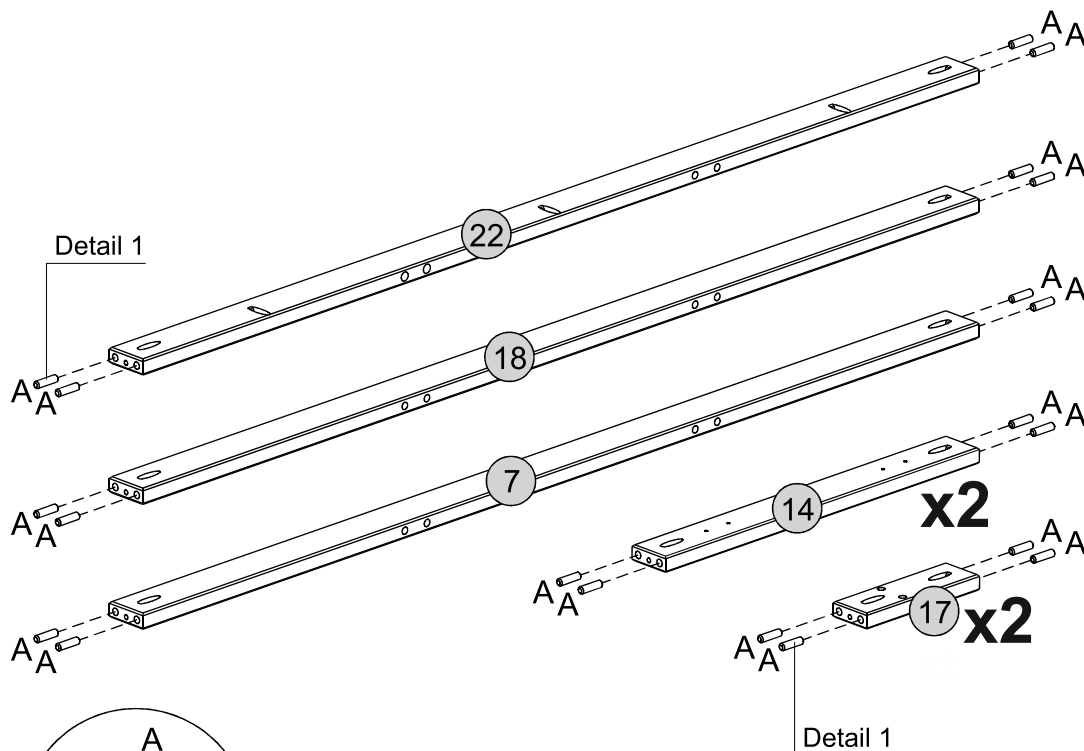
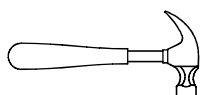
PARTS REQUIRED

- 7 - BOTTOM FRONT CROSSBEAM x1
- 14 - TOP FRONT CROSSBEAM x2
- 17 - CENTRE FRONT UPRIGHT x2
- 18 - CENTRE FRONT CROSSBEAM x1
- 22 - TOP FRONT CROSSBEAM x1

HARDWARE REQUIRED

- A  28
Ø8,0 x 30mm

TOOLS REQUIRED

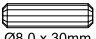


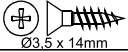
STEP 5

PARTS REQUIRED

8 - BASE x1

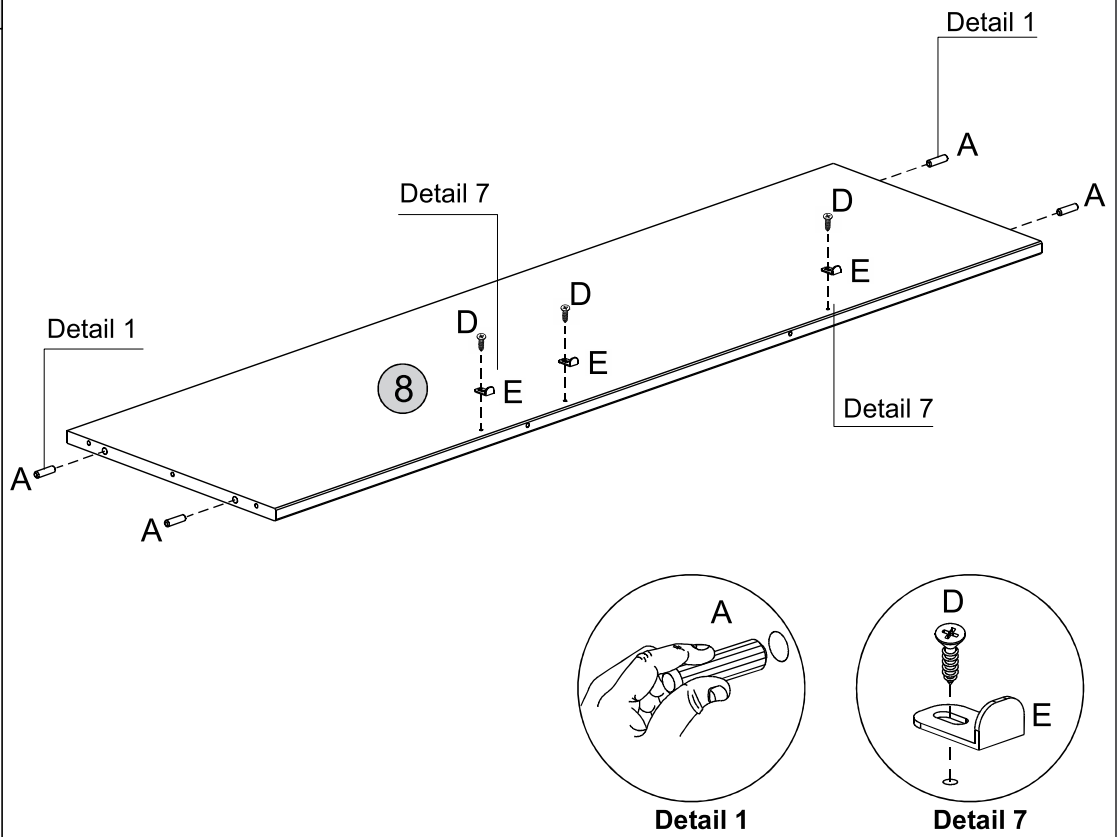
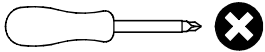
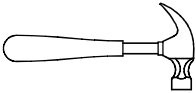
HARDWARE REQUIRED

A  04
Ø8,0 x 30mm

D  03
Ø3,5 x 14mm

E  03
Knocker

TOOLS REQUIRED



STEP 6


PARTS REQUIRED

17 - CENTRE FRONT UPRIGHT x2

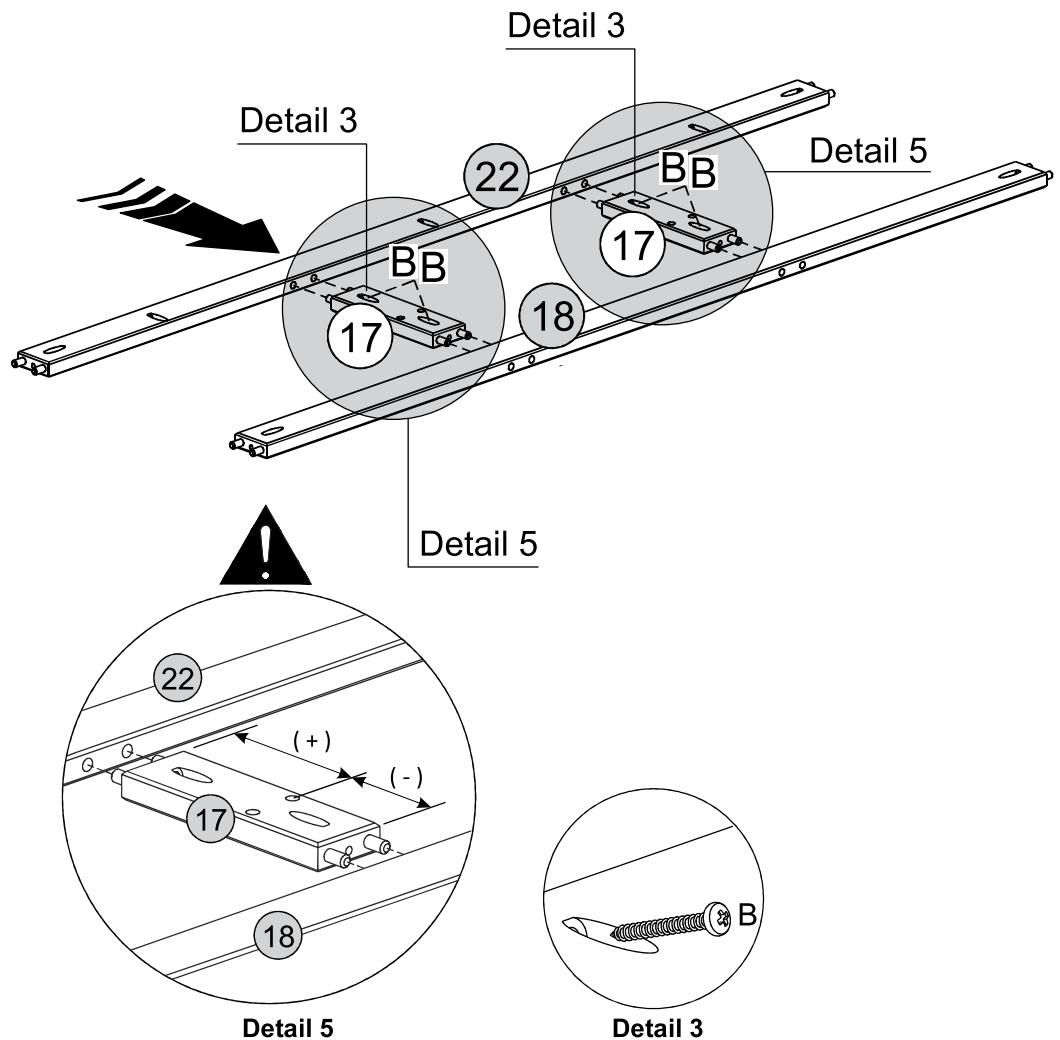
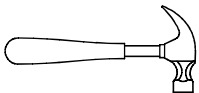
18 - CENTRE FRONT CROSSBEAM x1

22 - TOP FRONT CROSSBEAM x1

HARDWARE REQUIRED

B  04
Ø3,5 x 30mm

TOOLS REQUIRED

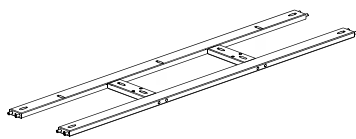


STEP 7


PARTS REQUIRED

7 - BOTTOM FRONT CROSBEAM x1

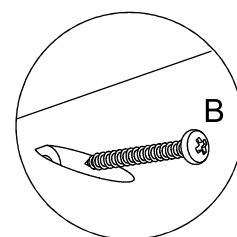
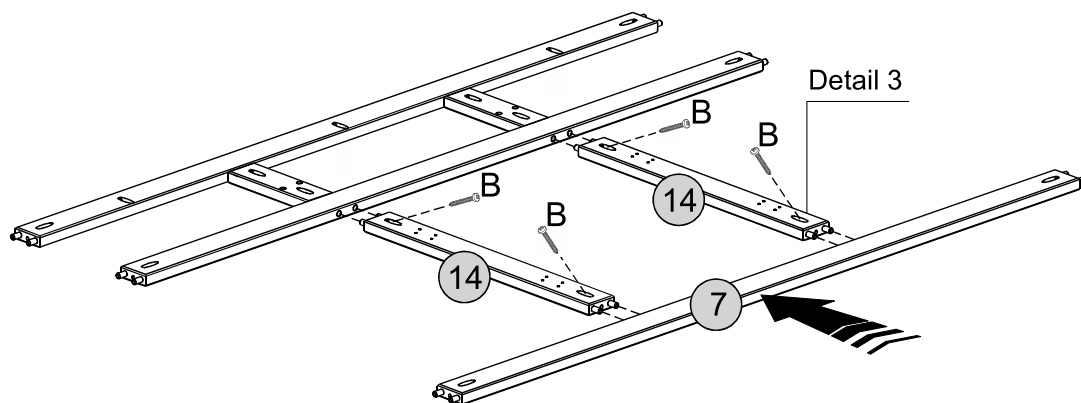
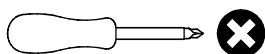
14 - TOP FRONT CROSBEAM x2



HARDWARE REQUIRED

B  04
Ø3,5 x 30mm

TOOLS REQUIRED

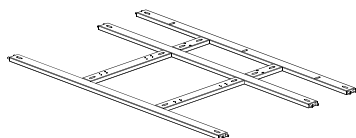


Detail 3


STEP 8

PARTS REQUIRED

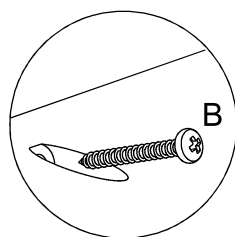
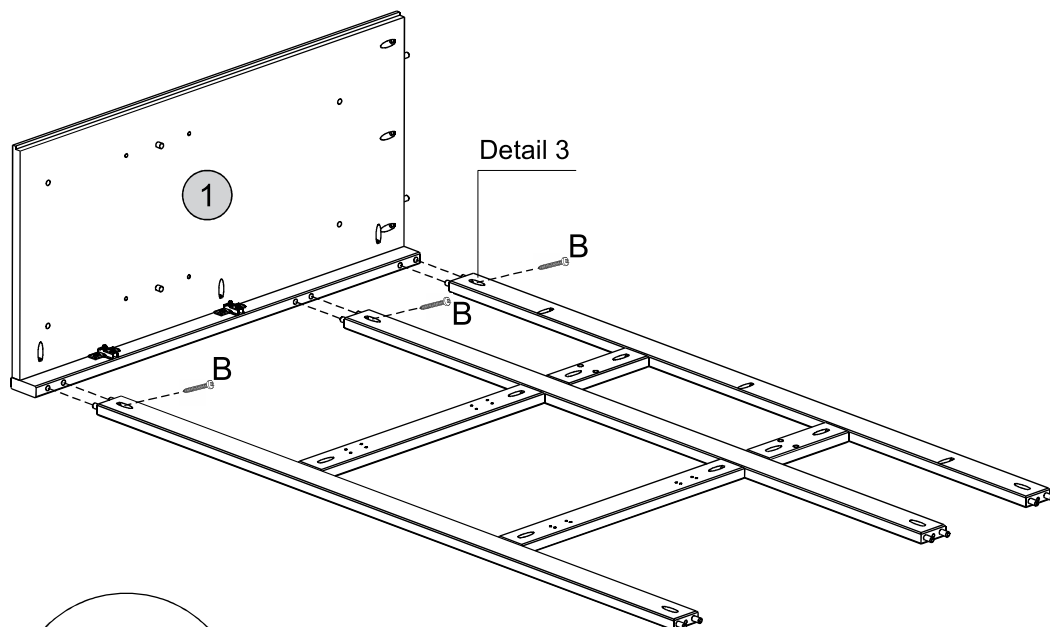
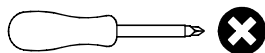
1 - RIGHT SIDE PANEL x1



HARDWARE REQUIRED

B  03
Ø3,5 x 30mm

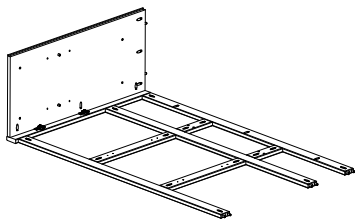
TOOLS REQUIRED



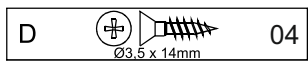
Detail 3

STEP 9

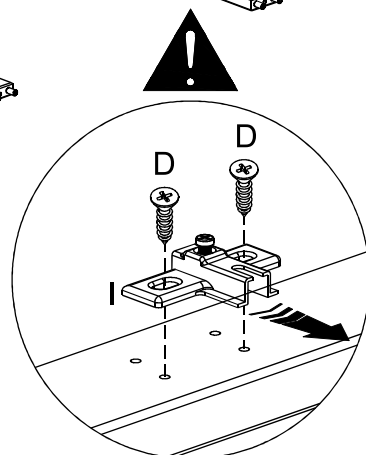
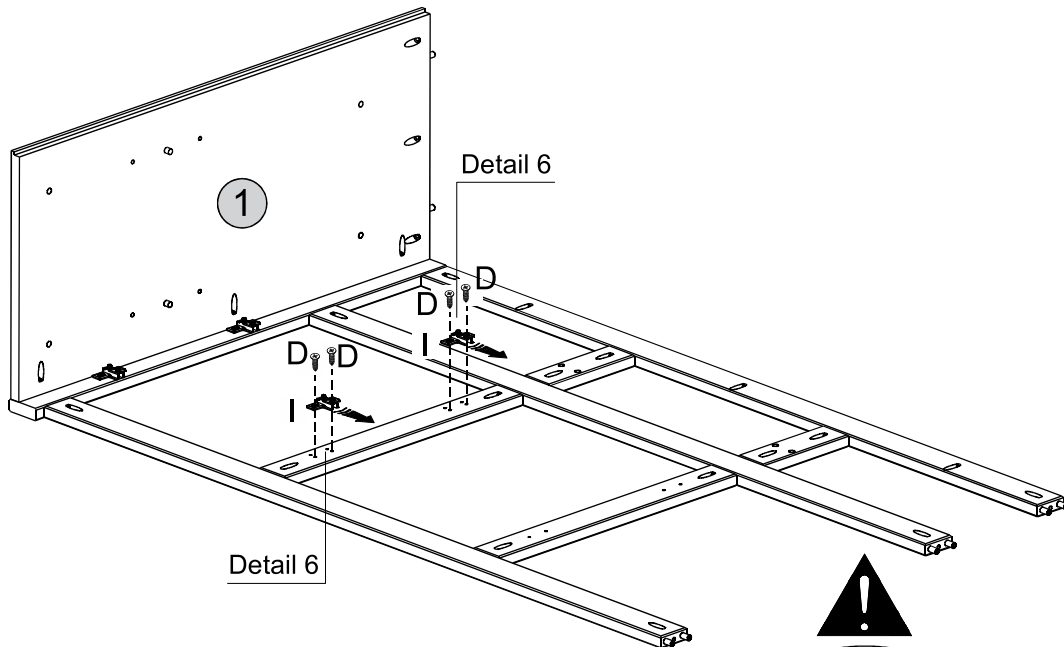
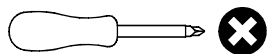
PARTS REQUIRED



HARDWARE REQUIRED



TOOLS REQUIRED

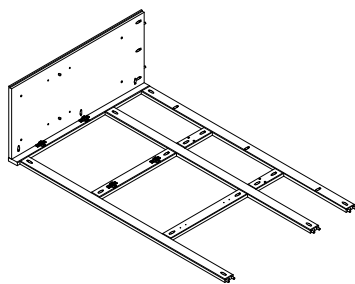


Detail 6

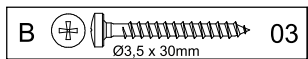
STEP 10

PARTS REQUIRED

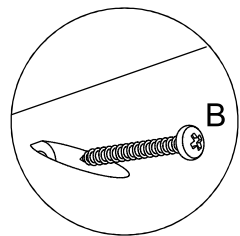
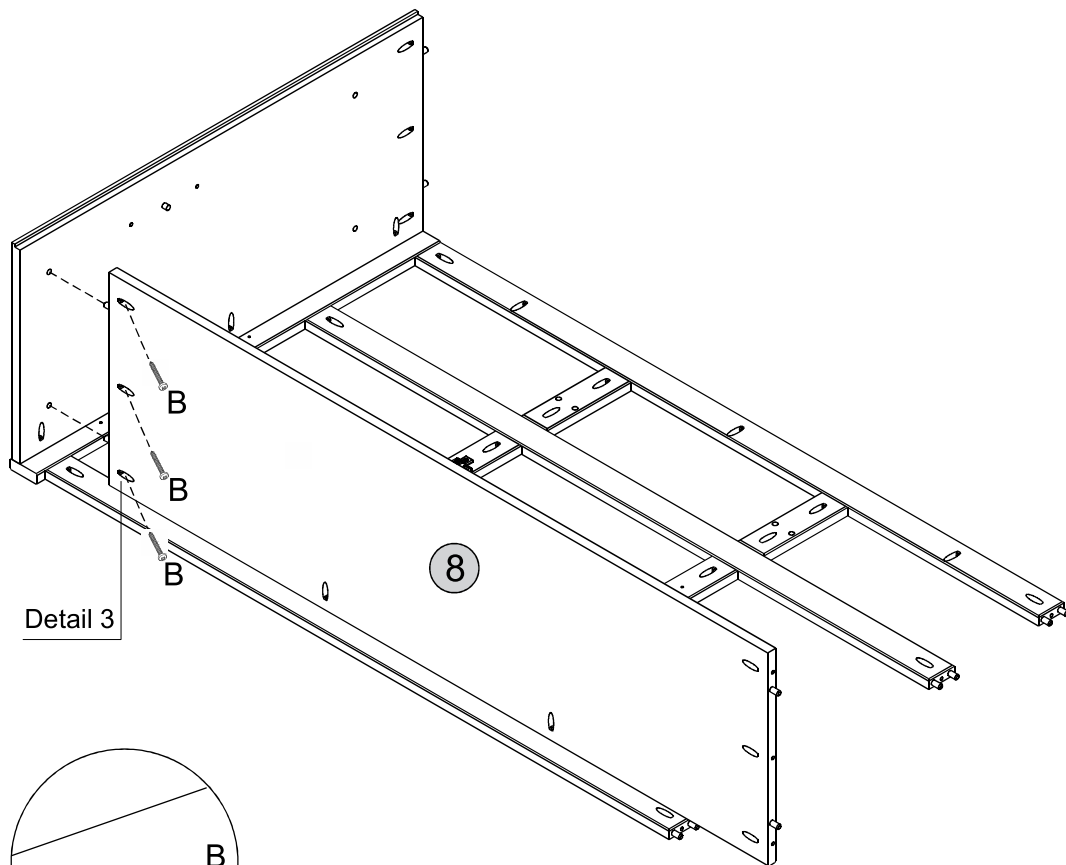
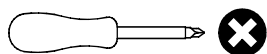
8 - BASE x1



HARDWARE REQUIRED



TOOLS REQUIRED

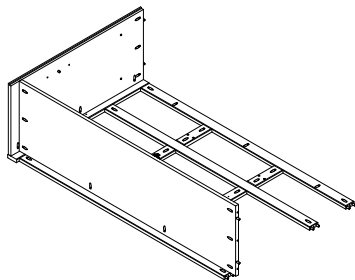


Detail 3


STEP 11

PARTS REQUIRED

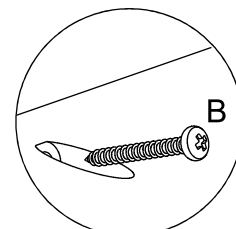
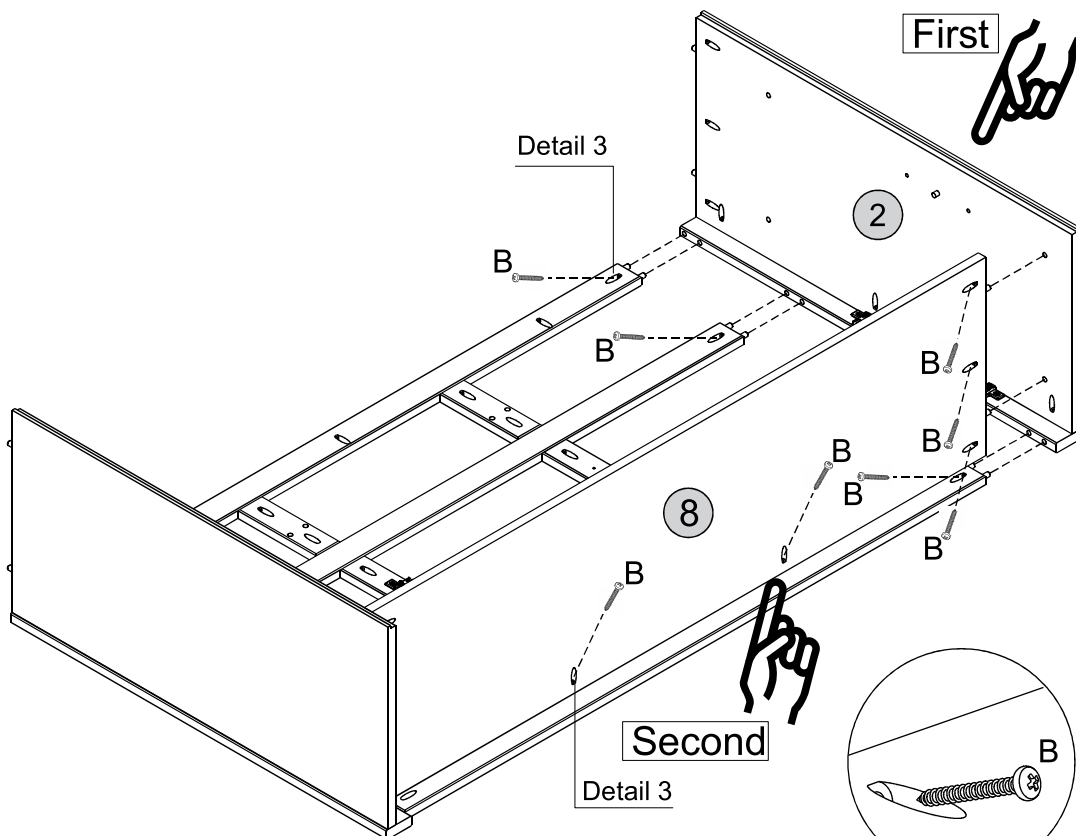
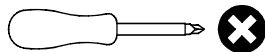
2 - LEFT SIDE PANEL x1



HARDWARE REQUIRED

B  08
Ø3,5 x 30mm

TOOLS REQUIRED

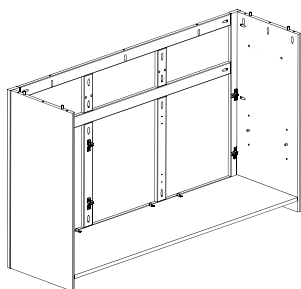


Detail 3


STEP 12

PARTS REQUIRED

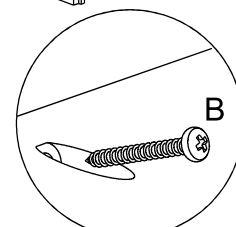
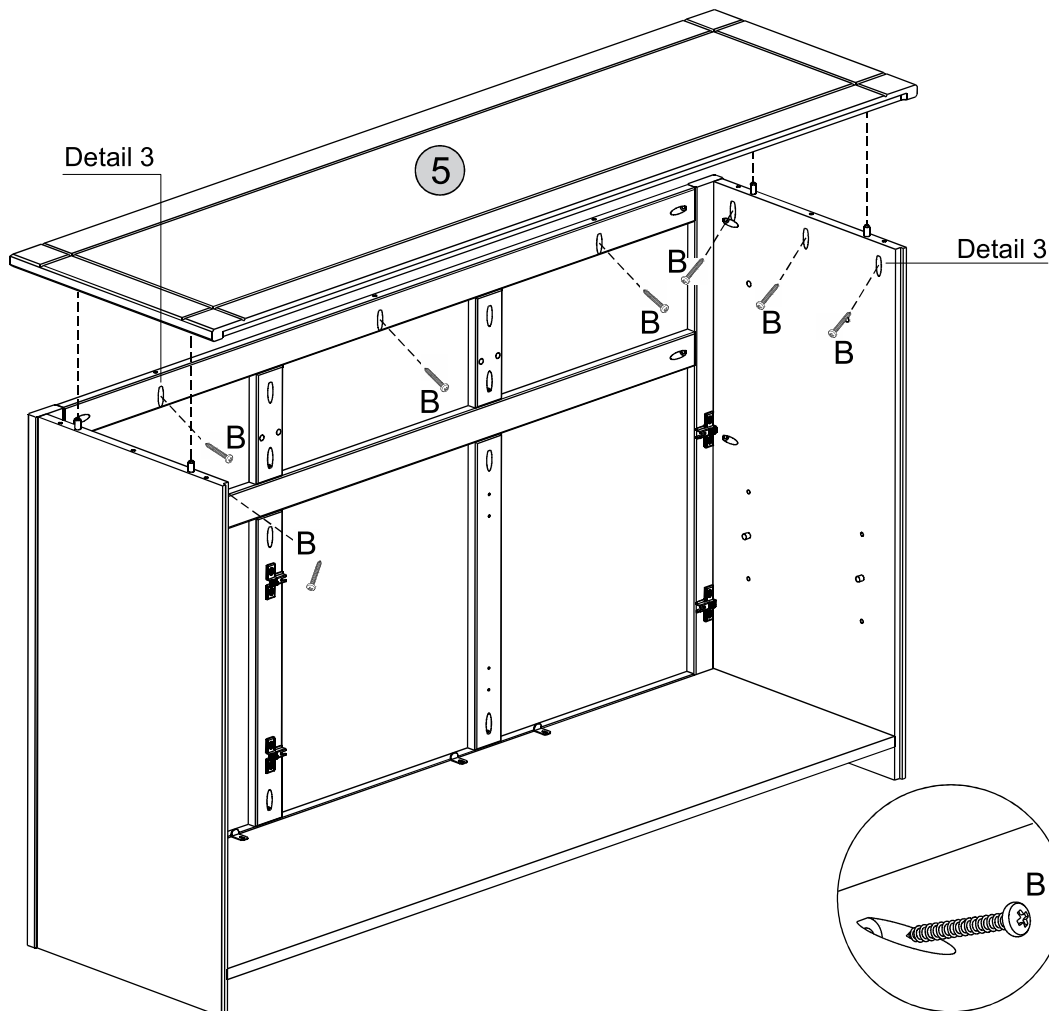
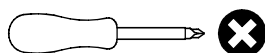
5 - TOP PANEL x1



HARDWARE REQUIRED

B  09
Ø3,5 x 30mm

TOOLS REQUIRED



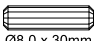
Detail 3

STEP 13

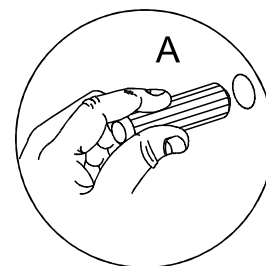
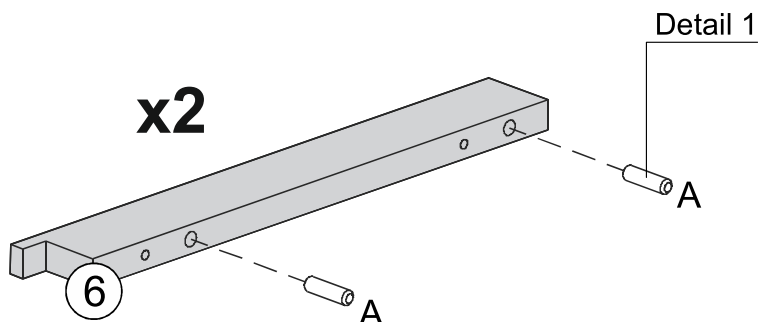
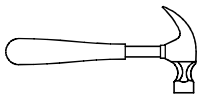
PARTS REQUIRED

6 - DRAWER RUNNER x2

HARDWARE REQUIRED

A  04
Ø8,0 x 30mm

TOOLS REQUIRED

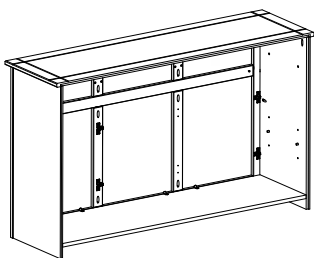


Detail 1

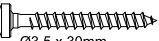
STEP 14

PARTS REQUIRED

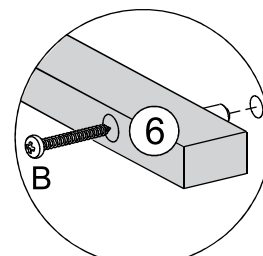
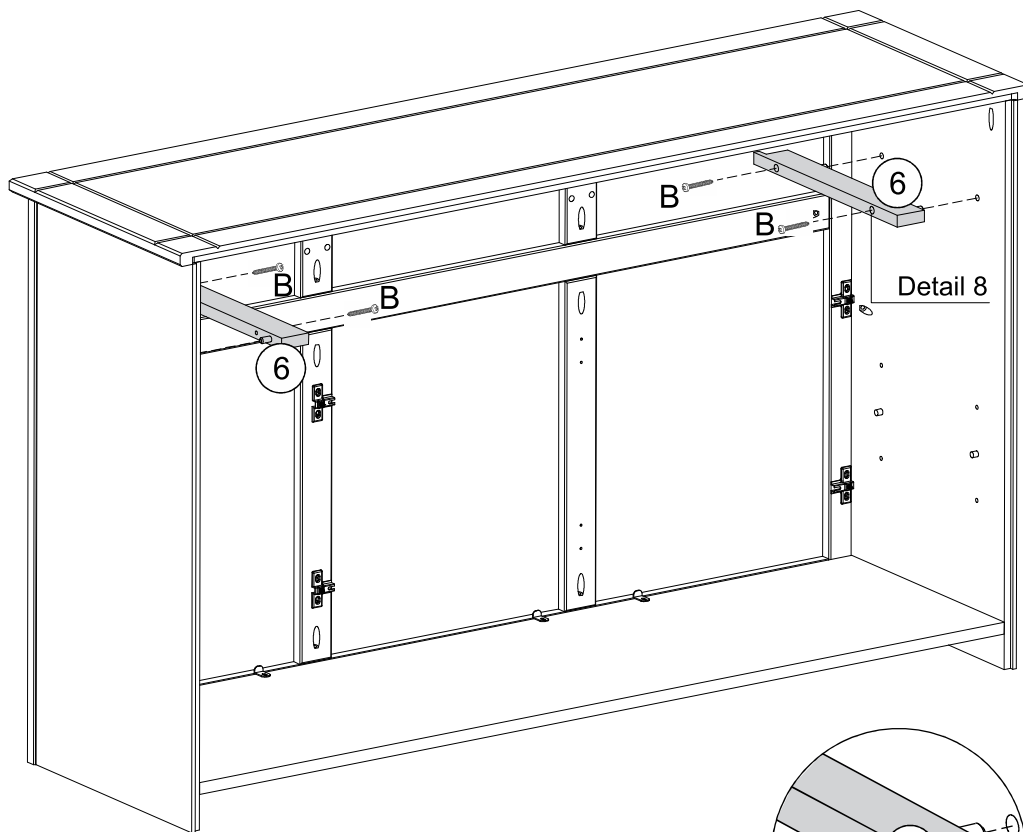
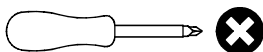
6 - DRAWER RUNNER x2



HARDWARE REQUIRED

B  04
Ø3,5 x 30mm

TOOLS REQUIRED



Detail 8

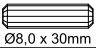
STEP 15

PARTS REQUIRED

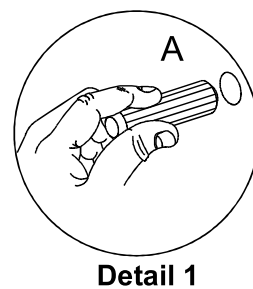
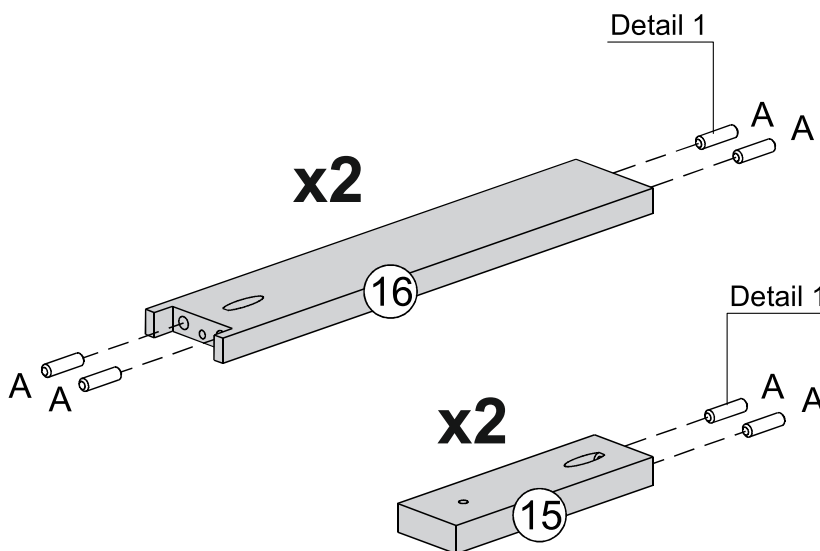
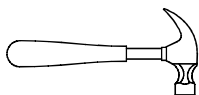
15 - BACK UPRIGHT x2

16 - CENTRE DRAWER RUNNER x2

HARDWARE REQUIRED

A  12
Ø8,0 x 30mm

TOOLS REQUIRED



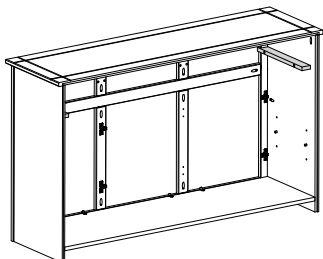
STEP 16

PARTS REQUIRED

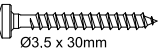
15 - BACK UPRIGHT x2

16 - CENTRE DRAWER RUNNER x2

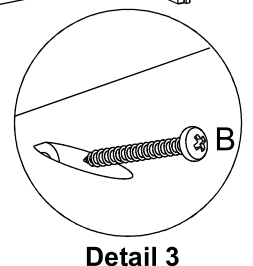
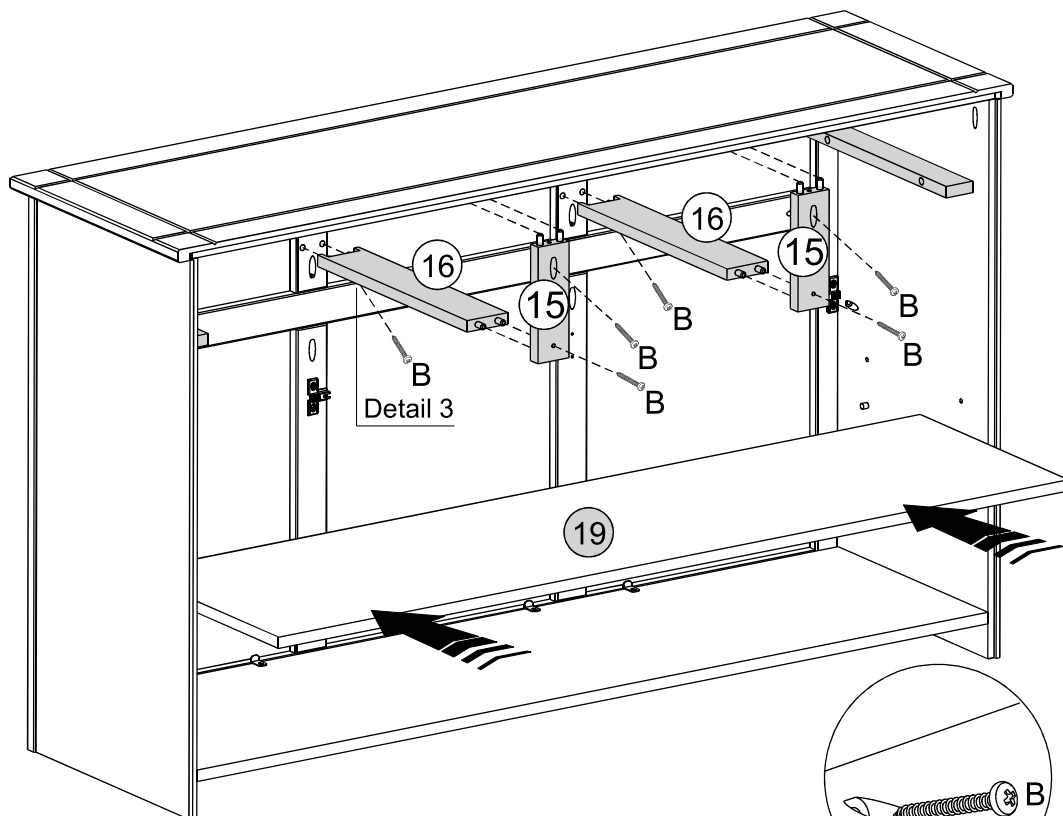
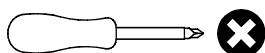
19 - ADJUSTABLE SHELF x1



HARDWARE REQUIRED

B  06
Ø3,5 x 30mm

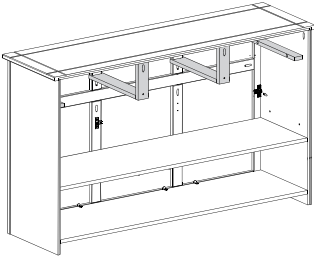
TOOLS REQUIRED



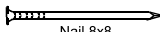
STEP 17

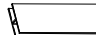
PARTS REQUIRED

9 - BACK PANEL x2

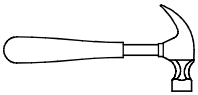


HARDWARE REQUIRED

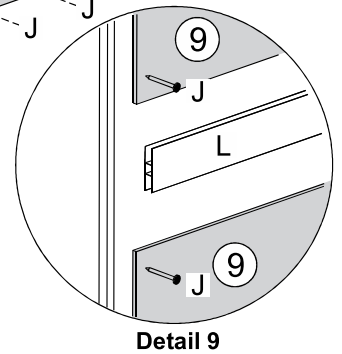
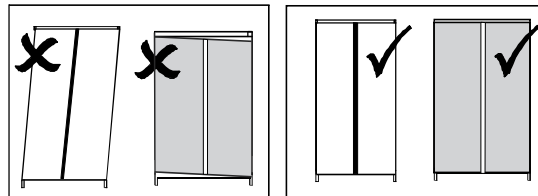
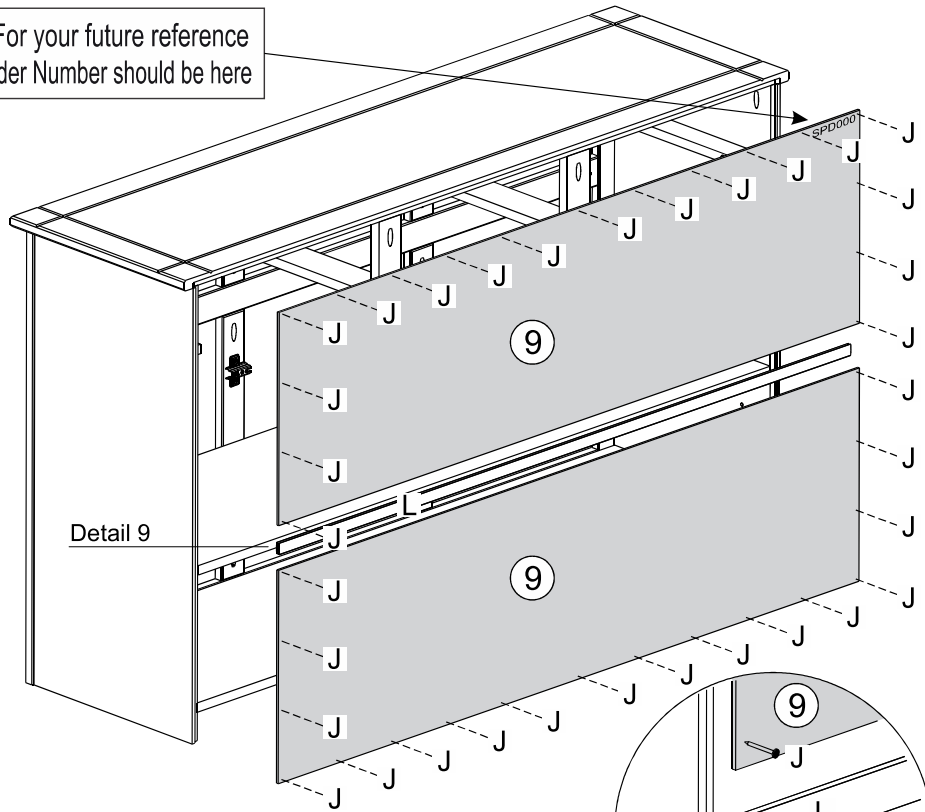
J  34
Nail 8x8

L  01

TOOLS REQUIRED



* For your future reference
Order Number should be here



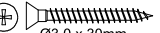
STEP 18

PARTS REQUIRED

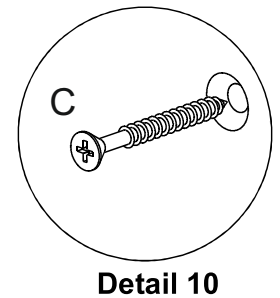
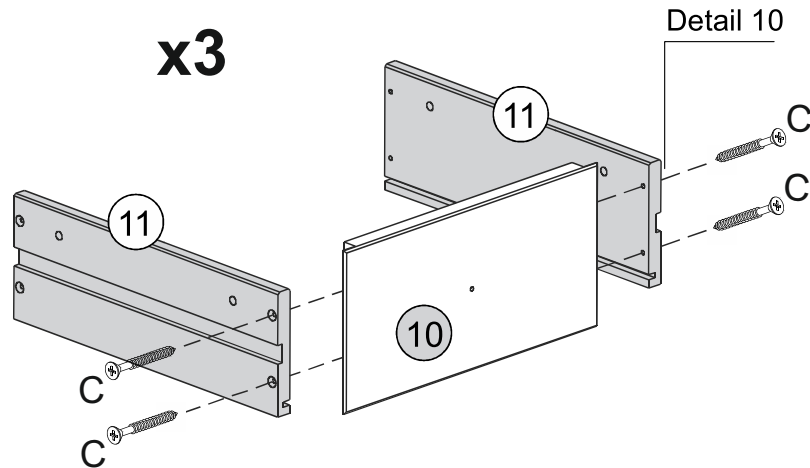
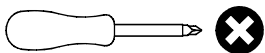
10 - DRAWER FRONT x3

11 - DRAWER SIDE x6

HARDWARE REQUIRED

C  12
Ø3,0 x 30mm

TOOLS REQUIRED

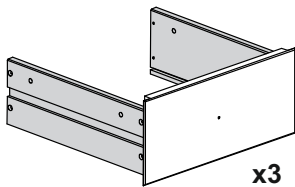


STEP 19


PARTS REQUIRED

12 -DRAWER BOTTOM x3

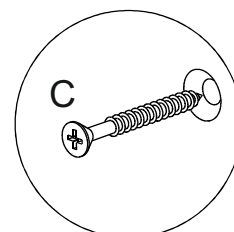
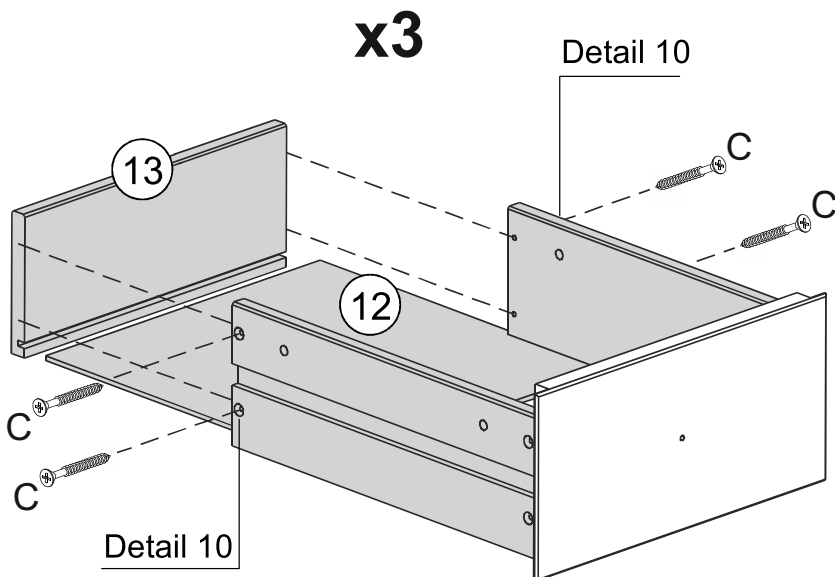
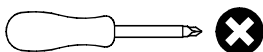
13 -DRAWER BACK x3



HARDWARE REQUIRED

C  12
Ø3,0 x 30mm

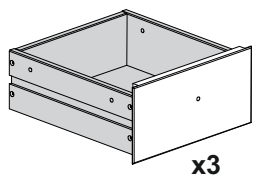
TOOLS REQUIRED



Detail 10

STEP 20

PARTS REQUIRED

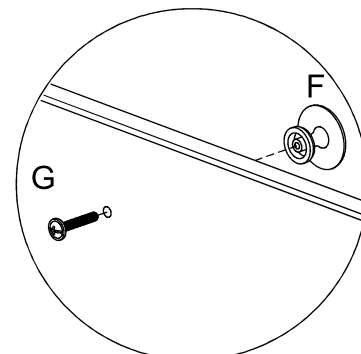
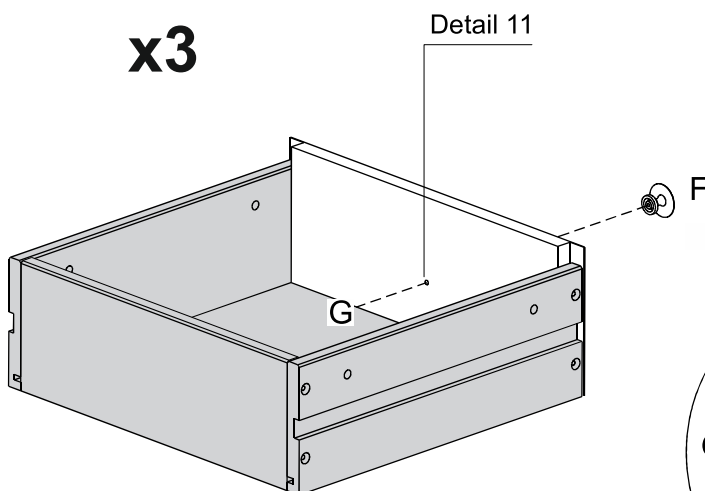
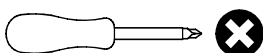


HARDWARE REQUIRED

F  03

G  03
M4 x 22mm

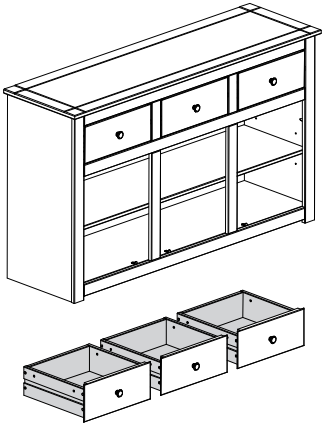
TOOLS REQUIRED



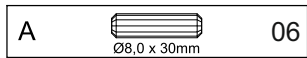
Detail 11

STEP 21

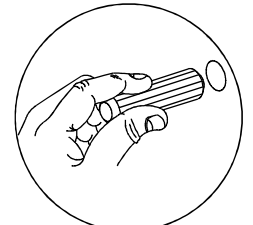
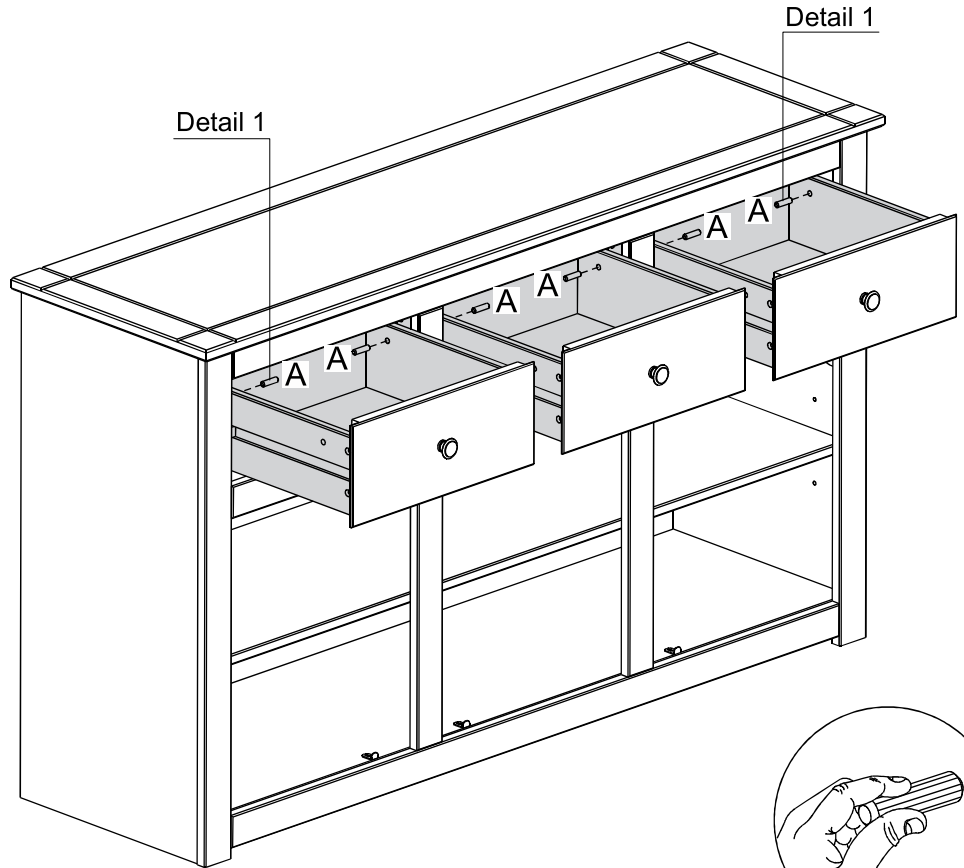
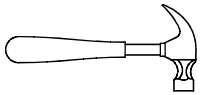
PARTS REQUIRED



HARDWARE REQUIRED



TOOLS REQUIRED



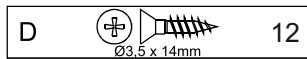
Detail 1

STEP 22

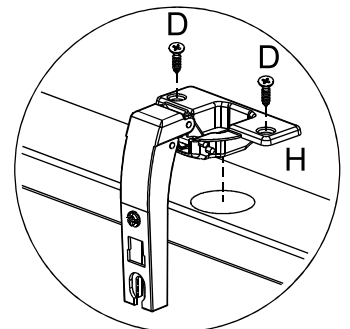
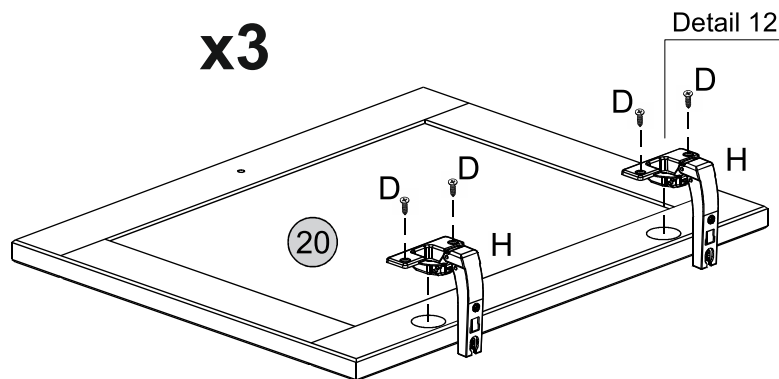
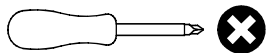
PARTS REQUIRED



HARDWARE REQUIRED



TOOLS REQUIRED

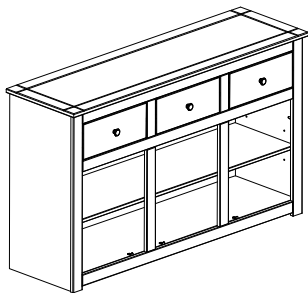


Detail 12

STEP 23

PARTS REQUIRED

20 - DOOR x3

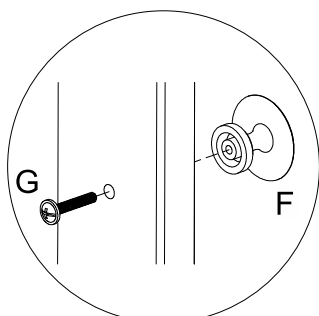
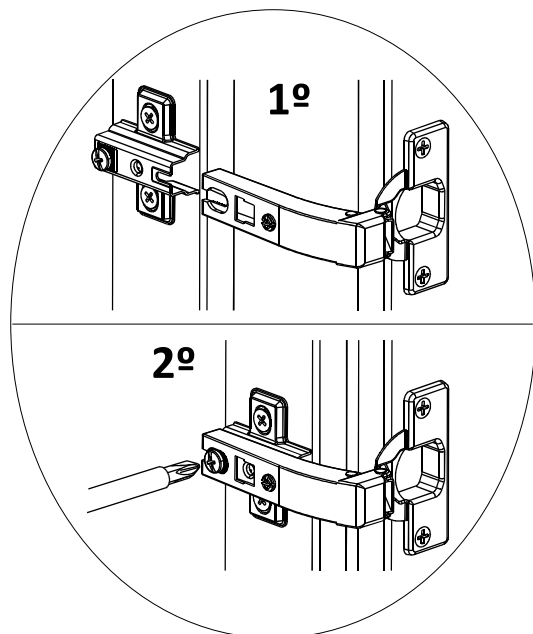
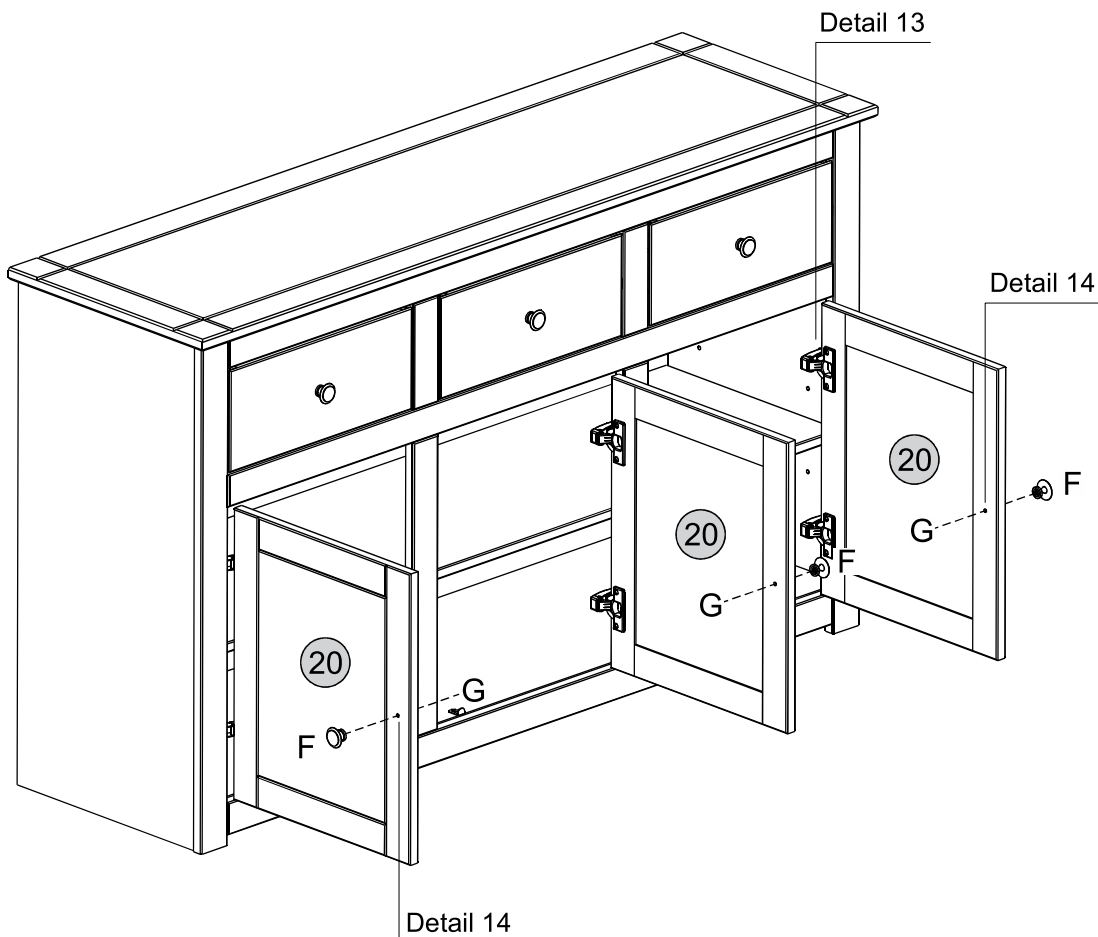
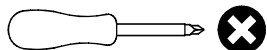


HARDWARE REQUIRED

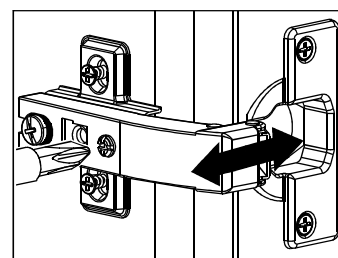
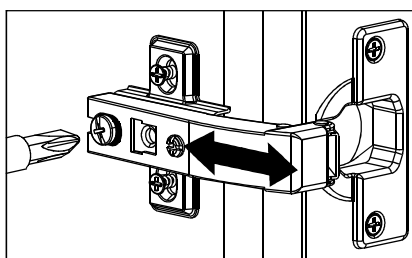
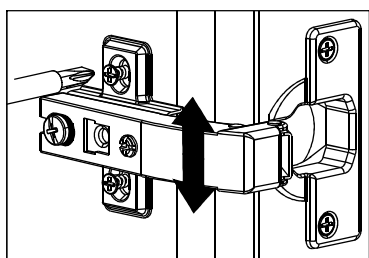
F  03

G  M4 x 22mm 03

TOOLS REQUIRED



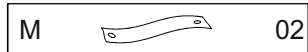
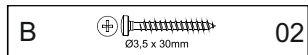
ADJUSTMENTS



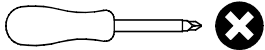
STEP 24

PARTS REQUIRED

HARDWARE REQUIRED



TOOLS REQUIRED



WARNING

Serious or fatal injuries can occur from furniture tipping over. To prevent the furniture from tipping over we recommend that it is permanently fixed to the wall.

Wall fixings are not supplied with this product as different wall materials require different types of fixing devices. Please make sure you use fixings suitable for the walls in your home.

