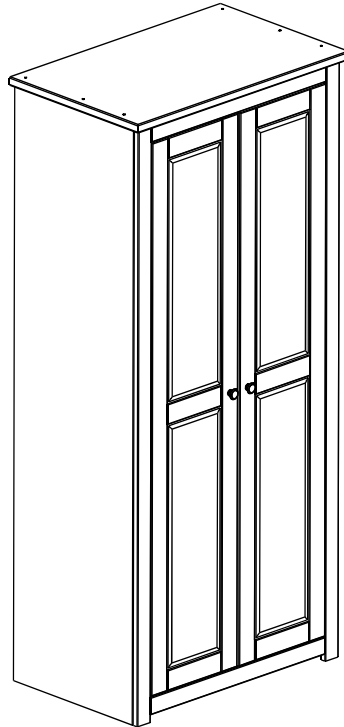


WHITE/NATURAL WAX PANAMA 2 DOOR WARDROBE ASSEMBLY INSTRUCTIONS

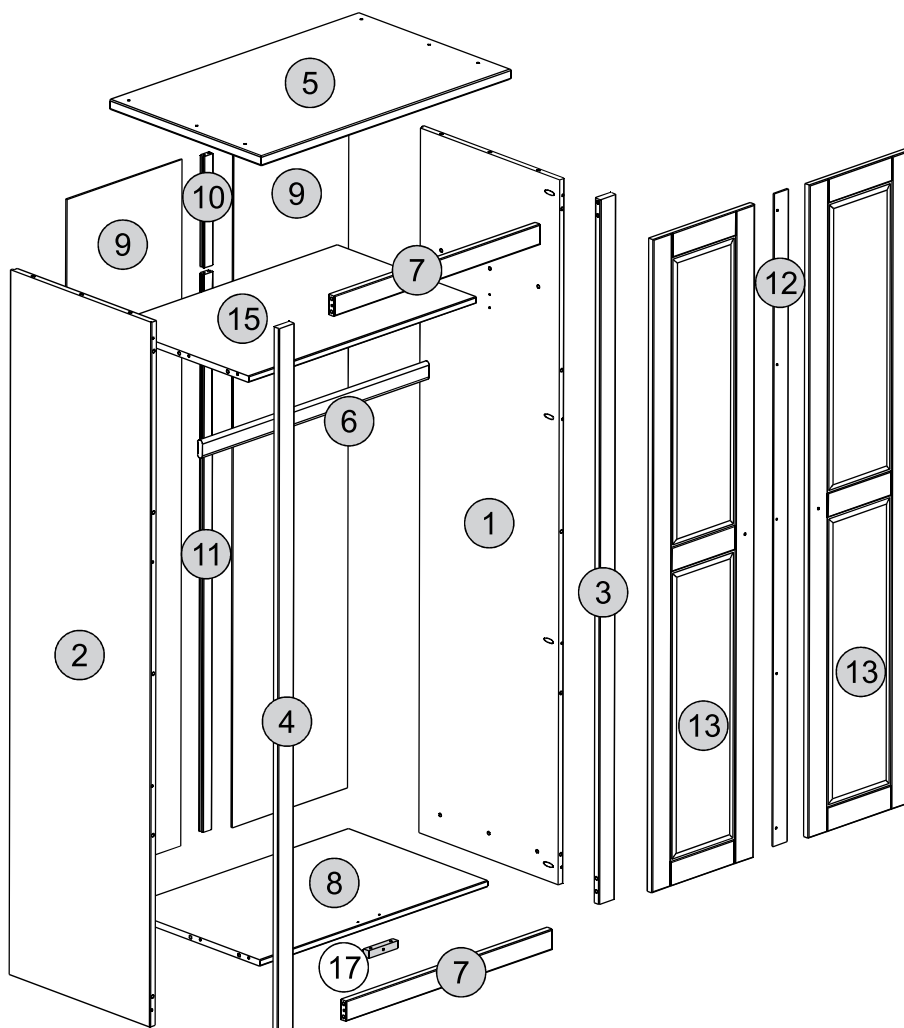


IMPORTANT FOR DOMESTIC USE ONLY

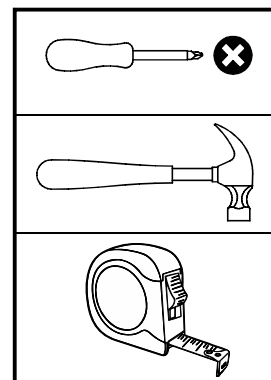
PLEASE READ BEFORE YOU CONTINUE FURTHER

CARE AND MAINTENANCE

- After unpacking this product please keep the original packaging in case it needs to be returned for any reason.
- Please ensure all fittings and parts are present before commencing with assembly.
 - Never drag or push products as this could cause damage to the joints making it inferior.
 - We strongly recommend that you keep children away from your work area.
 - We recommend that you lay a blanket or sheet on the floor to avoid damage to both your floor and the product.
 - Assemble this product as close to its final position as possible.
 - Do not place this product next to a radiator or in direct sunlight.
 - Do not drag or push items across your high gloss furniture as this may cause the surface to scratch
 - Wood is a natural product and may expand if subjected to damp and may shrink or crack if subjected to heat. Therefore it is recommended that room temperature is maintained, with no sudden temperature fluctuations.
 - Make sure any spillage is wiped off immediately.
 - Do not place hot or chilled items directly on to the surface, use a place mat or marking will occur.
 - For general cleaning use a soft cotton or micro fibre cloth, and do not use detergents of any kind.
 - From time to time it may be necessary to tighten fittings, regular inspections should be carried out.
 - Do not place on a wet or damp floor as staining may occur to your floor.



TOOLS REQUIRED

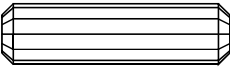
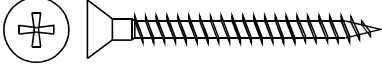


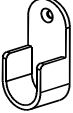

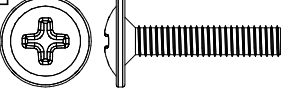
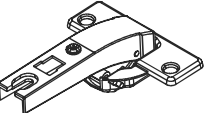

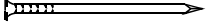

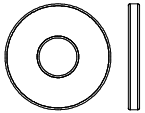



PARTS LIST

Please Note:
The below parts have all been stamped with the part number to help identify them during assembly.

<u>Part Number</u>	<u>Part Code</u>	<u>Part Description</u>	<u>Quantity</u>	<u>Carton</u>
1	S100-101-197-MY1-01	Right Side Panel	1	1/2
2	S100-101-197-MY1-02	Left Side Panel	1	1/2
3	S100-101-197-MY1-03	Right Front Upright	1	1/2
4	S100-101-197-MY1-04	Left Front Upright	1	1/2
5	S100-101-197-MY1-05	Top Panel	1	2/2
6	S100-101-197-MY1-06	Hanger	1	2/2
7	S100-101-197-MY1-07	Front Crossbeam	2	1/2
8	S100-101-197-MY1-08	Base	1	2/2
9	S100-101-197-MY1-09	Back Panel	2	1/2
10	S100-101-197-MY1-10	Back Strip (Upper)	1	1/2
11	S100-101-197-MY1-11	Back Strip (Lower)	1	1/2
12	S100-101-197-MY1-12	Door Strip	1	1/2
13	S100-101-197-MY1-13	Door	2	1/2
15	S100-101-197-MY1-15	Fixed Shelf	1	2/2
17	S100-101-197-MY1-17	Support Block	1	2/2

FITTINGS LIST

<p>A</p>  <p>+/2 Dowel Ø8,0 x 30mm (36x)</p>	<p>B</p>  <p>+/1 Flat Head Screw Ø4,0 x 40mm (6x)</p>	<p>C</p>  <p>+/2 Pan Head Screw Ø3,5 x 30mm (28x)</p>	<p>D</p>  <p>+/2 Flat Head Screw Ø3,5 x 14mm (35x)</p>
<p>E</p>  <p>Hanger Support (2x)</p>	<p>F</p>  <p>Handle (2x)</p>	<p>G</p>  <p>+/1 Flan Head Screw M4 x 22mm (2x)</p>	<p>H</p>  <p>Hinge (Right) (6x)</p>
<p>I</p>  <p>Hinge (Left) (6x)</p>	<p>J</p>  <p>+/2 Nail 10x10 (38x)</p>	<p>K</p>  <p>Anti - Tip - Kit (1x)</p>	<p>L</p>  <p>+/1 Washer (2x)</p>
<p>M</p>  <p>Knocker (2x)</p>			

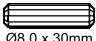
STEP 1

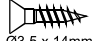
PARTS REQUIRED


1 - RIGHT SIDE PANEL x1

2 - LEFT SIDE PANEL x1

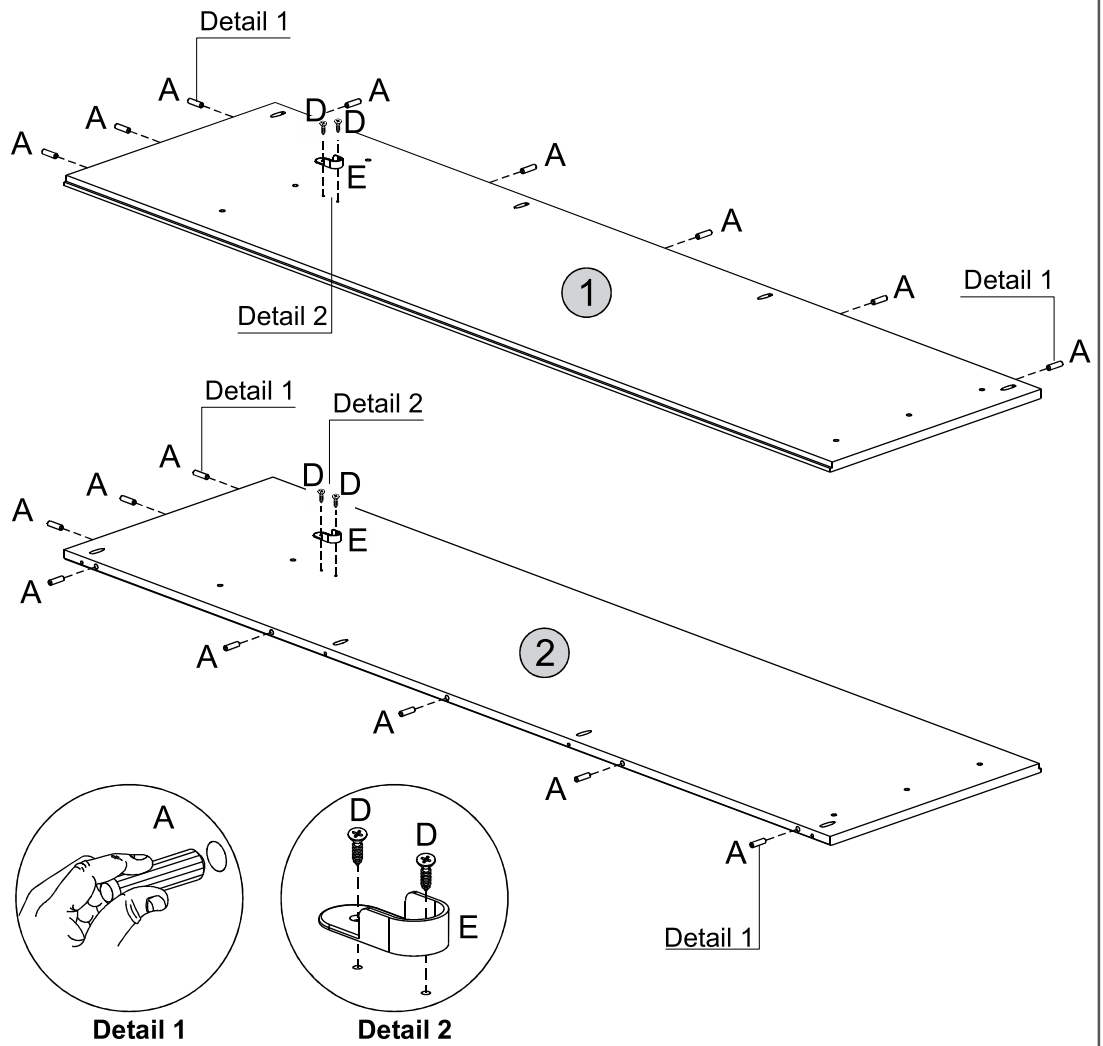
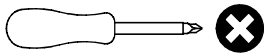
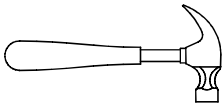
HARDWARE REQUIRED

A  16
Ø8,0 x 30mm

D  04
Ø3,5 x 14mm

E  02

TOOLS REQUIRED

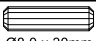


STEP 2

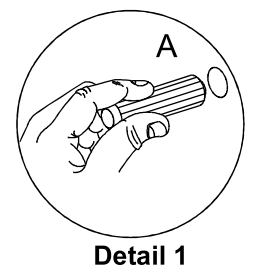
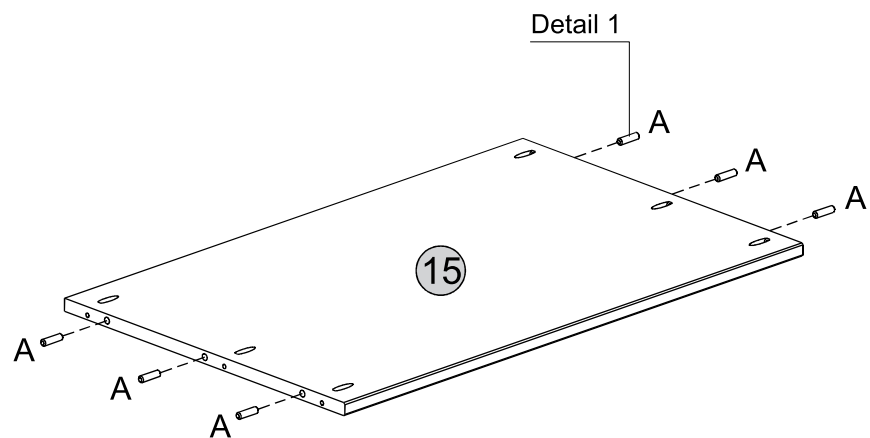
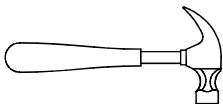
PARTS REQUIRED

15 - FIXED SHELF x1

HARDWARE REQUIRED

A  06
Ø8,0 x 30mm

TOOLS REQUIRED



Detail 1

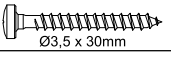
STEP 3

PARTS REQUIRED

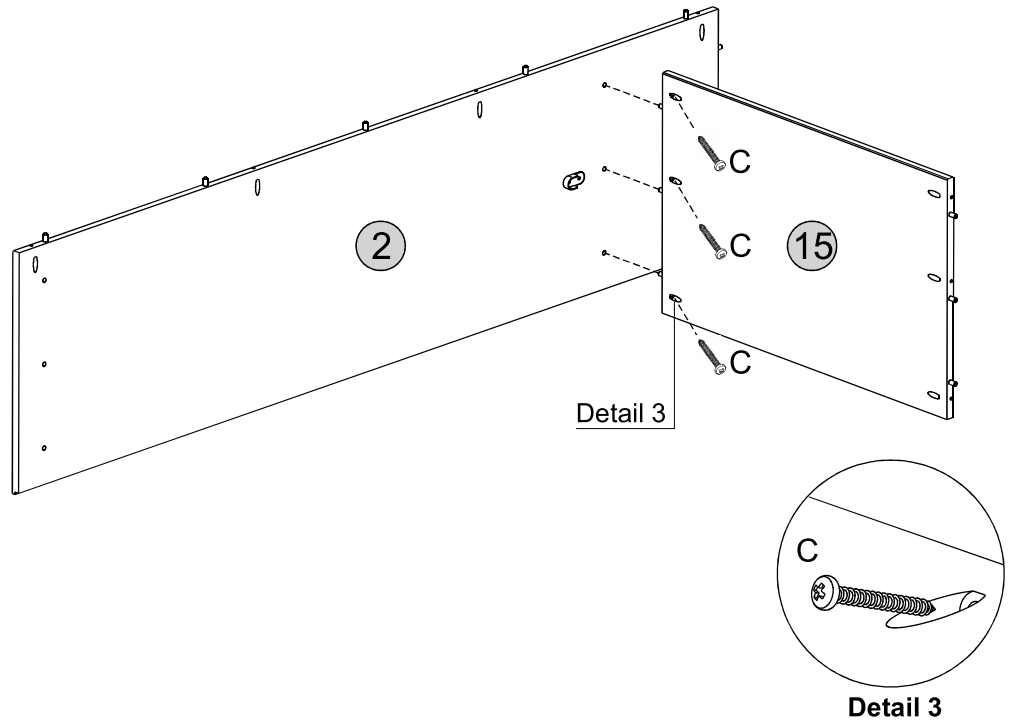
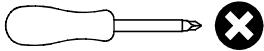
2 - LEFT SIDE PANEL x1

15 - FIXED SHELF x1

HARDWARE REQUIRED

C  **03**
Ø3,5 x 30mm

TOOLS REQUIRED



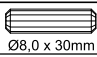
STEP 4

PARTS REQUIRED

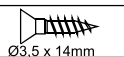
8 - BASE x1

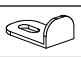
17 - SUPPORT BLOCK x1

HARDWARE REQUIRED

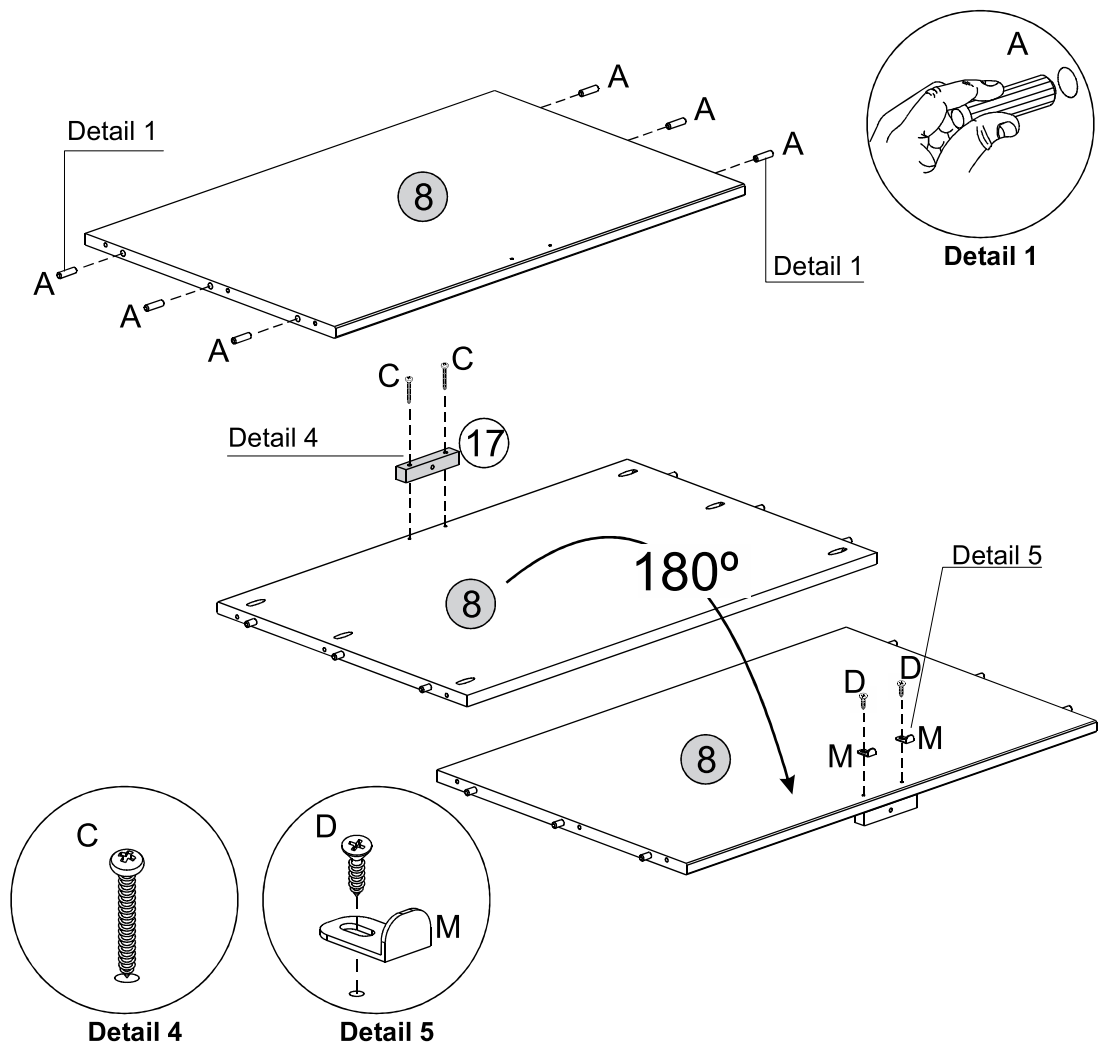
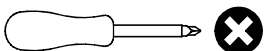
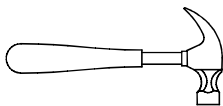
A  **06**
Ø8,0 x 30mm

C  **02**
Ø3,5 x 30mm

D  **02**
Ø3,5 x 14mm

M  **02**

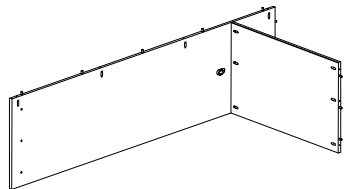
TOOLS REQUIRED



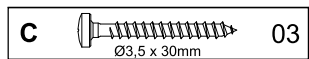
STEP 5

PARTS REQUIRED

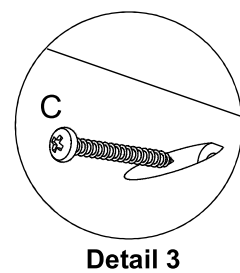
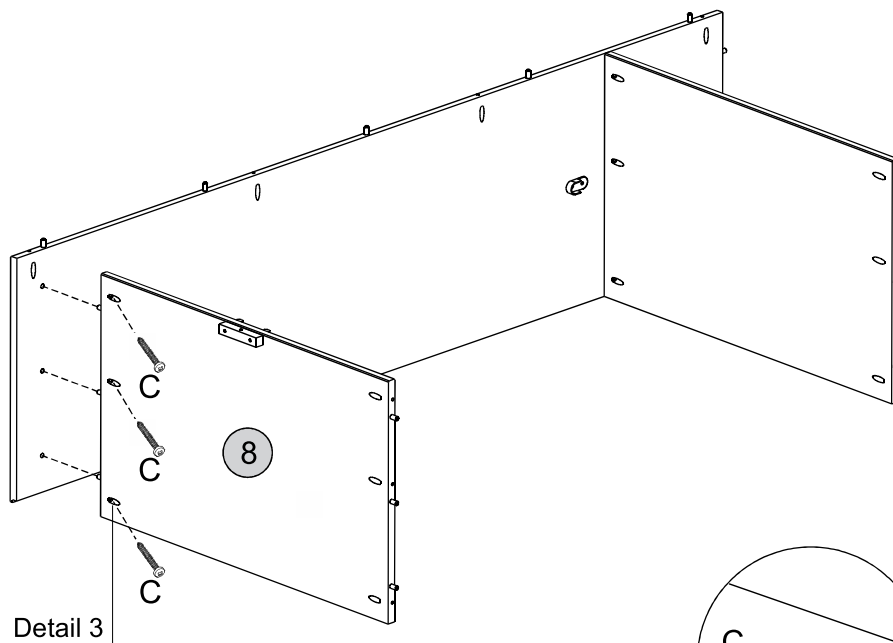
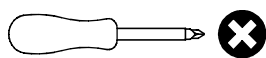
8 - BASE x1



HARDWARE REQUIRED



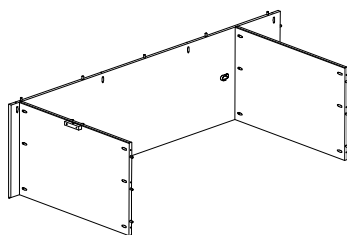
TOOLS REQUIRED



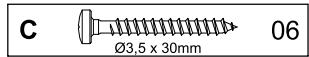
STEP 6

PARTS REQUIRED

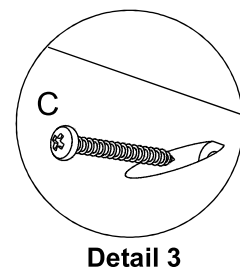
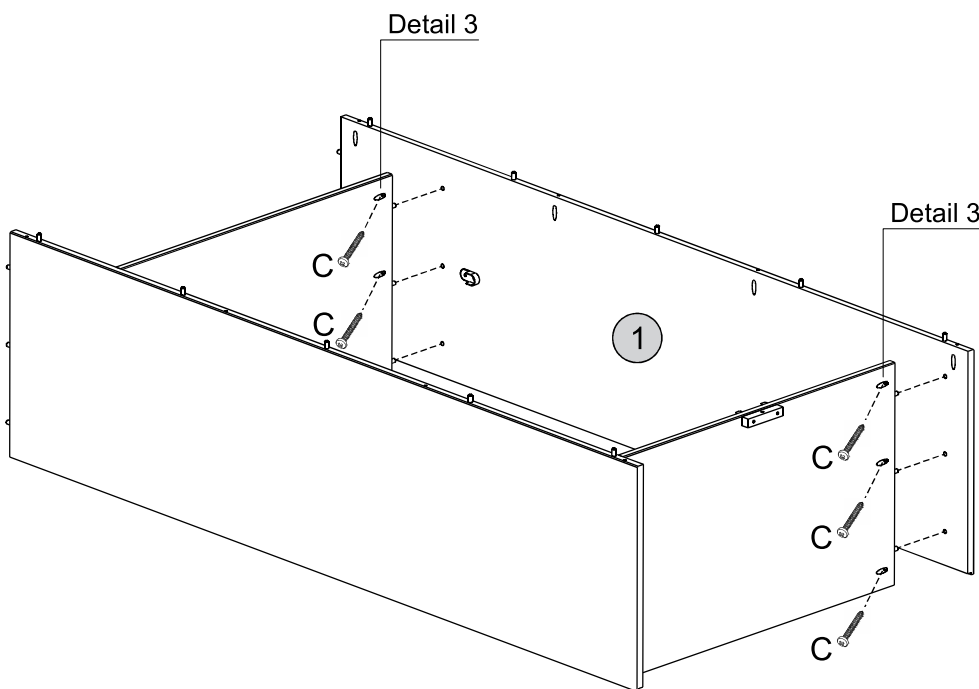
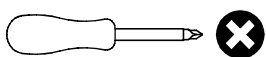
1 - RIGHT SIDE PANEL x1



HARDWARE REQUIRED



TOOLS REQUIRED

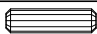


STEP 7

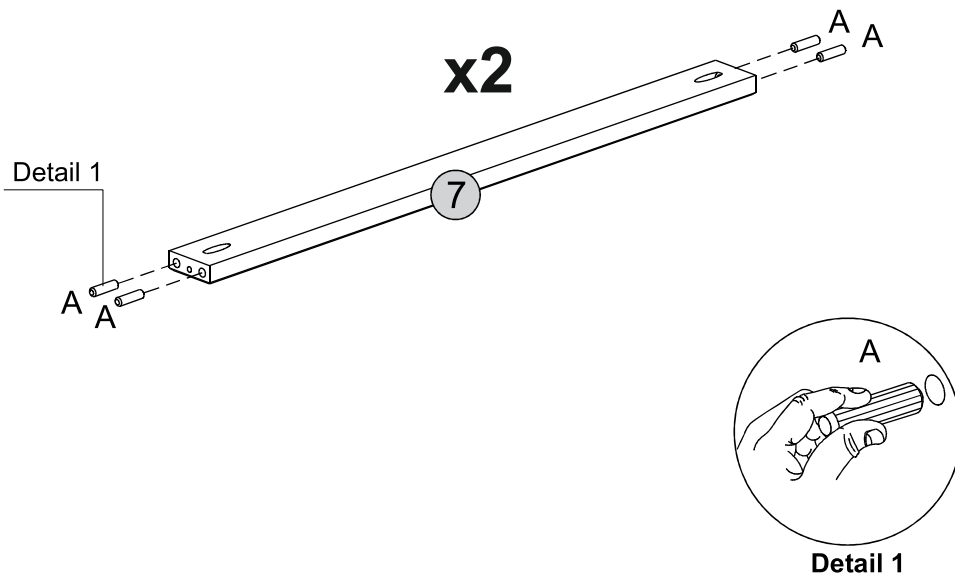
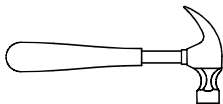
PARTS REQUIRED

7 - FRONT CROSSBEAM x2

HARDWARE REQUIRED

A  08
Ø8,0 x 30mm

TOOLS REQUIRED



STEP 8

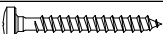
PARTS REQUIRED

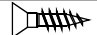
3 - RIGHT FRONT UPRIGHT x1

4 - LEFT FRONT UPRIGHT x1

7 - FRONT CROSSBEAM x2

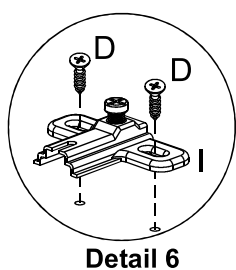
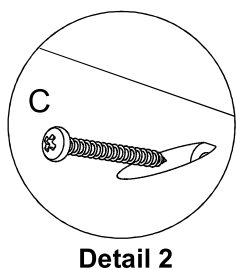
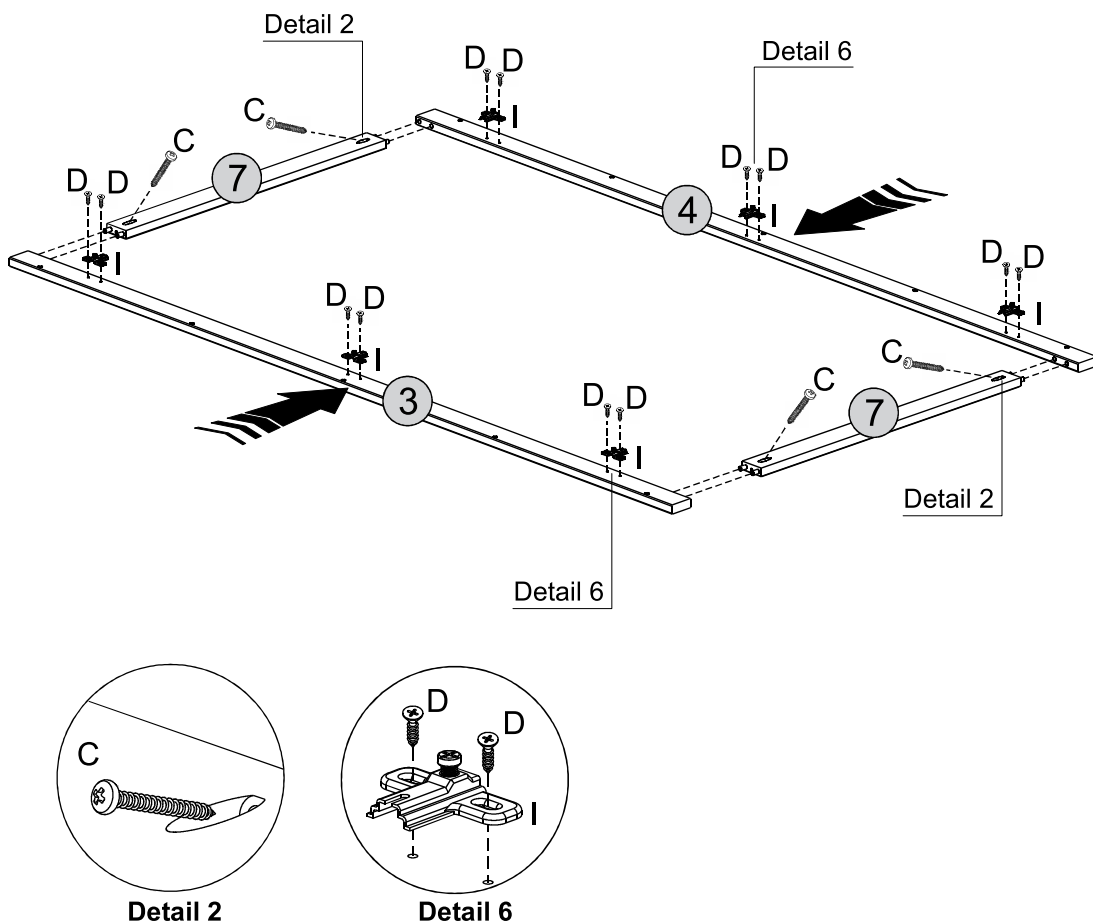
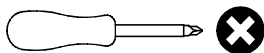
HARDWARE REQUIRED

C  04
Ø3.5 x 30mm

D  12
Ø3.5 x 14mm

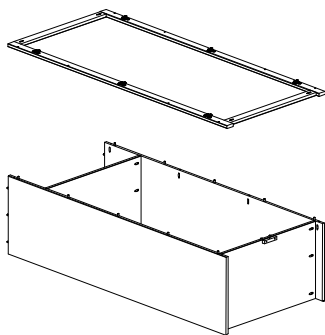
I  06

TOOLS REQUIRED

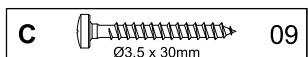


STEP 9

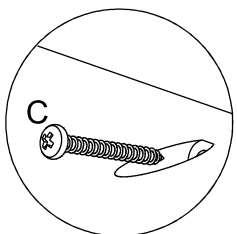
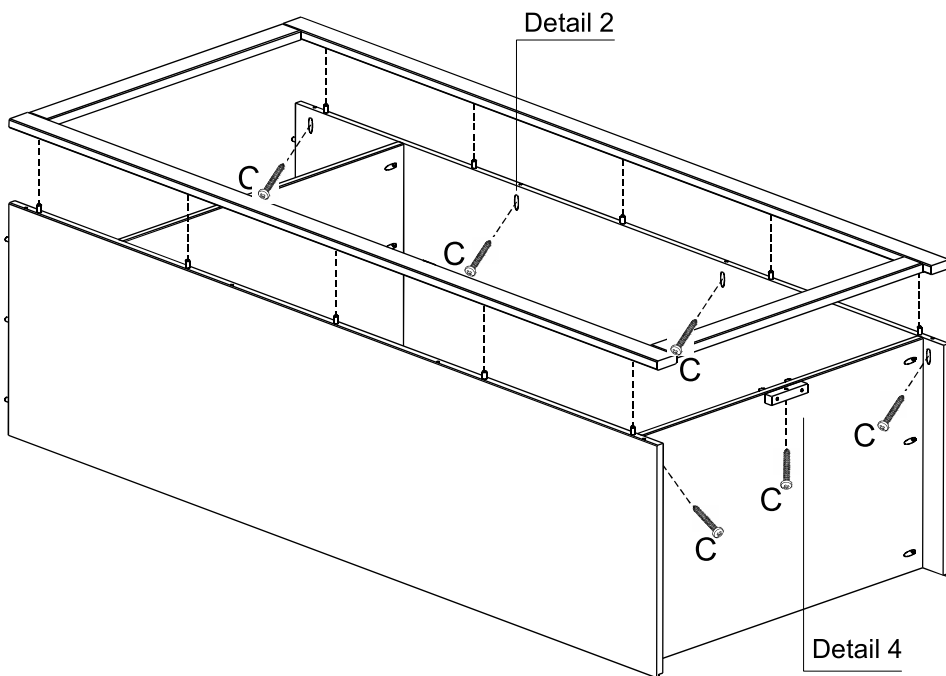
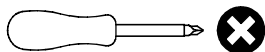
PARTS REQUIRED



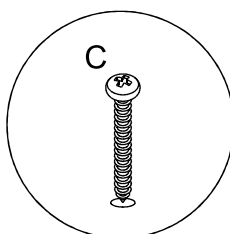
HARDWARE REQUIRED



TOOLS REQUIRED



Detail 2

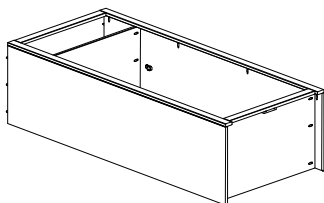


Detail 4

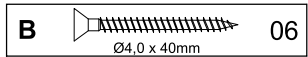
STEP 10

PARTS REQUIRED

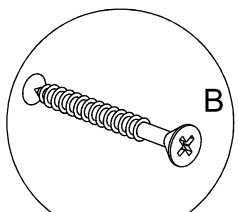
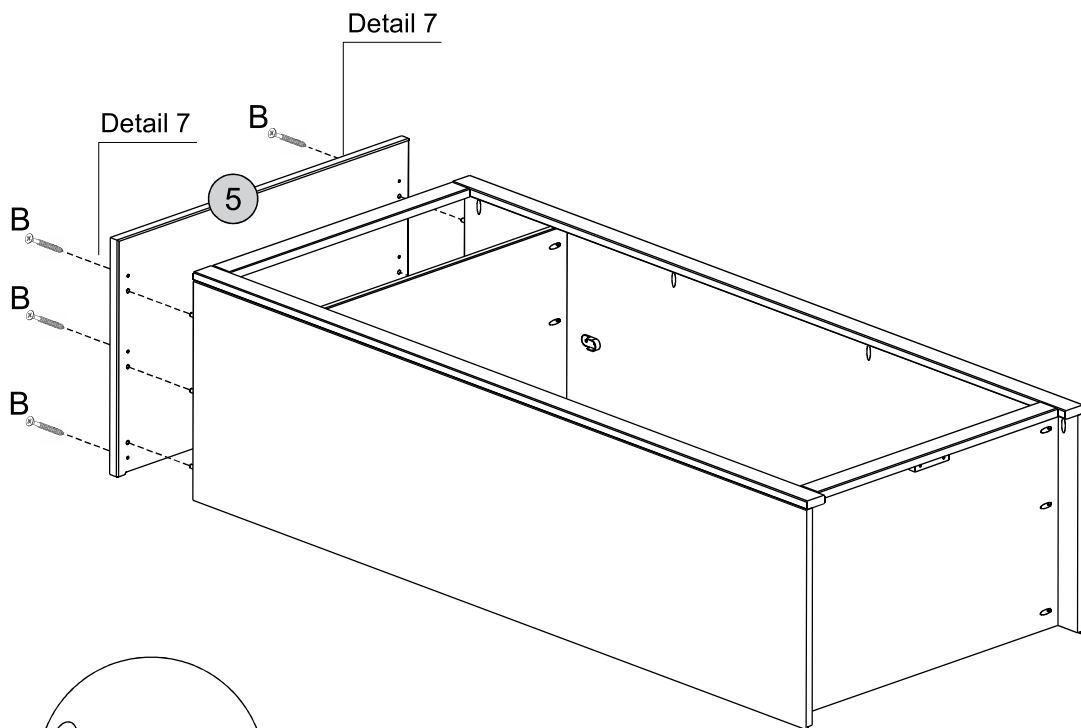
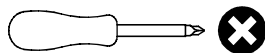
5 - TOP PANEL x1



HARDWARE REQUIRED



TOOLS REQUIRED

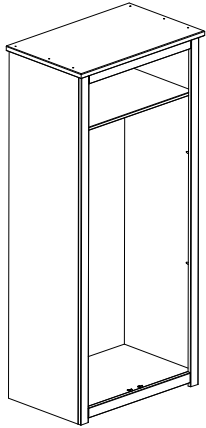


Detail 7

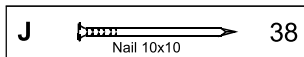
STEP 11

PARTS REQUIRED

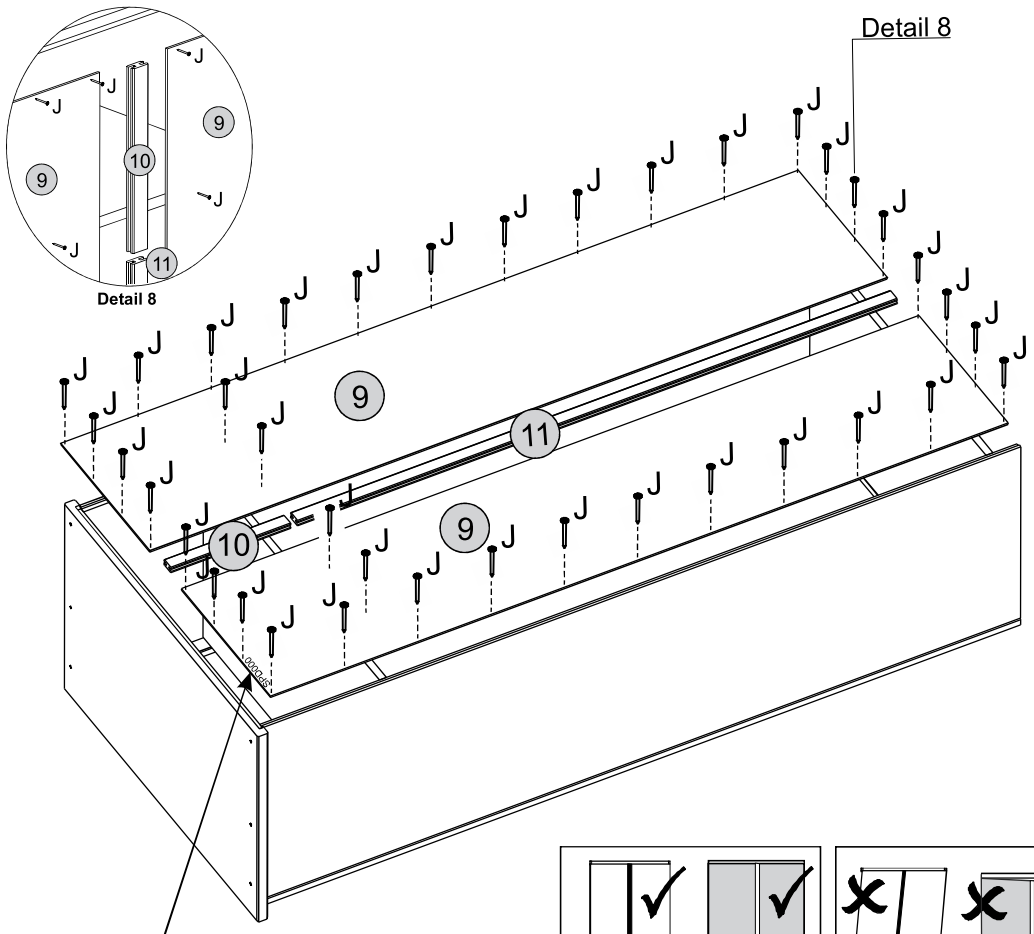
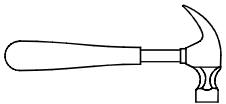
9 - BACK PANEL	x2
10 - BACK STRIP (UPPER)	x1
11 - BACK STRIP (LOWER)	x1



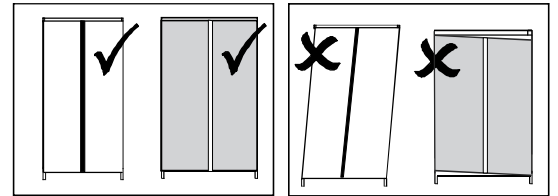
HARDWARE REQUIRED



TOOLS REQUIRED



* For your future reference
Order Number should be here

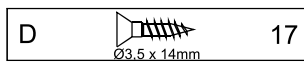


STEP 12

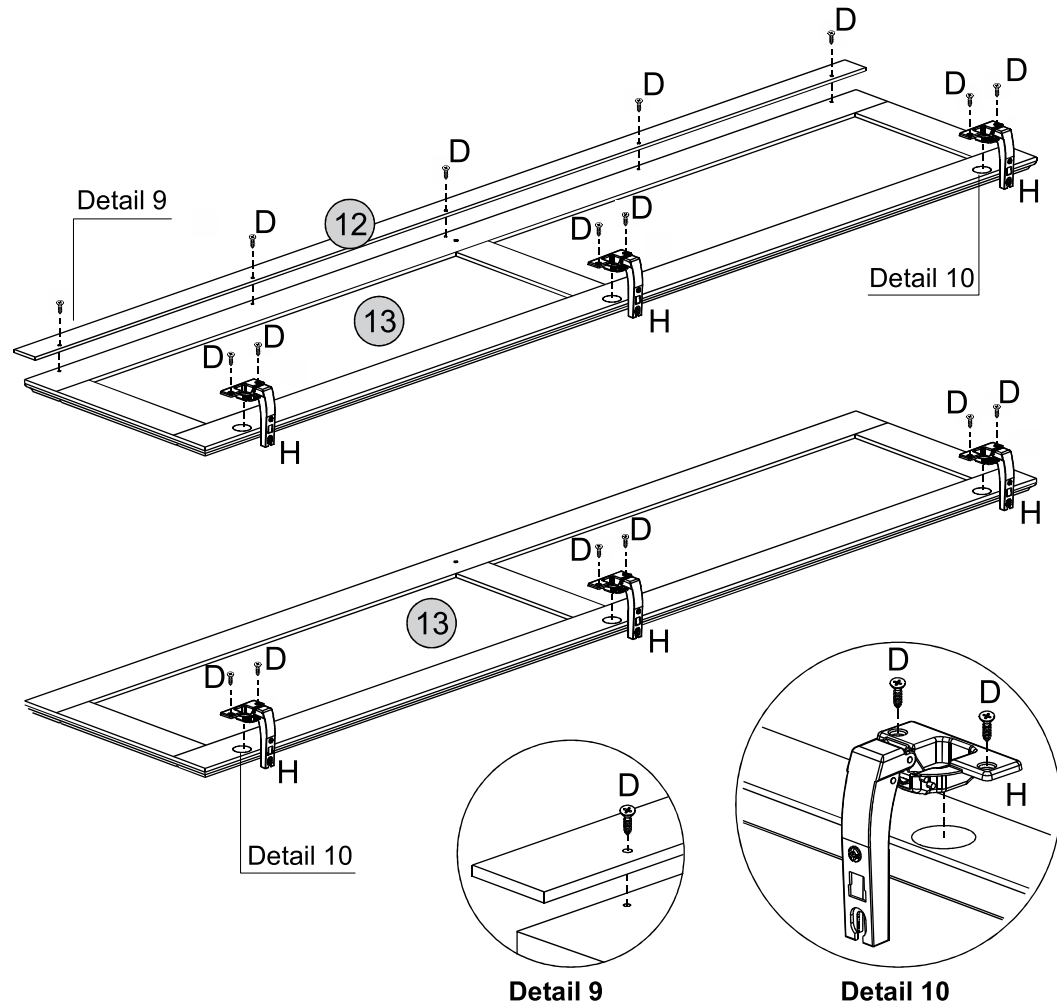
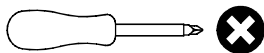
PARTS REQUIRED

12 - DOOR STRIP	x1
13 - DOOR	x2

HARDWARE REQUIRED



TOOLS REQUIRED



STEP 13


PARTS REQUIRED

6 - HANGER x1

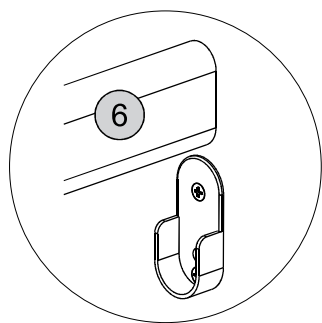
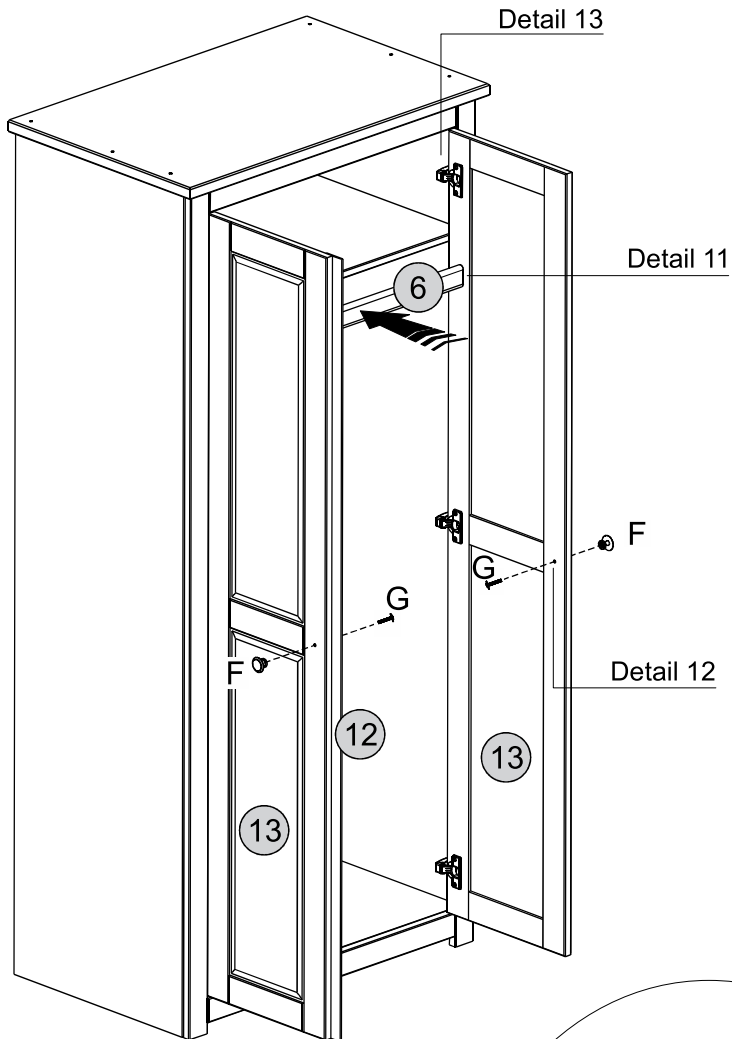
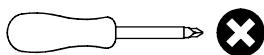
13 - DOOR x2

HARDWARE REQUIRED

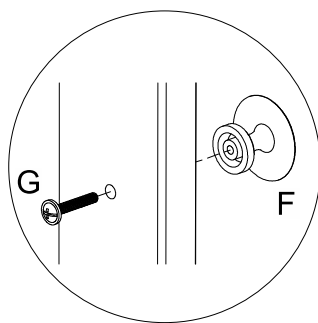
F  02

G  M4 x 22mm 02

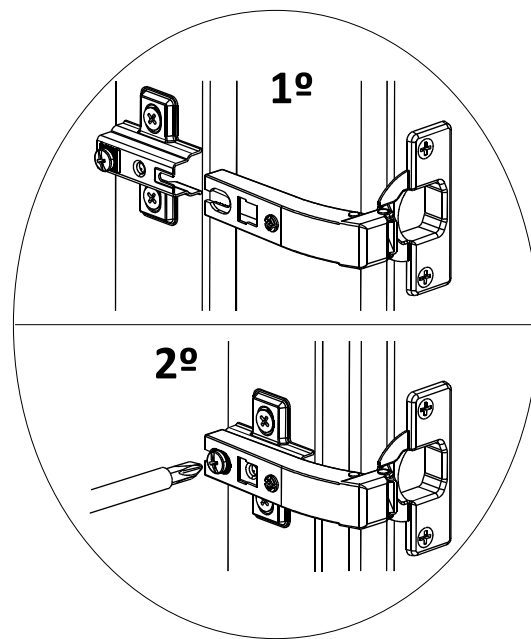
TOOLS REQUIRED



Detail 11

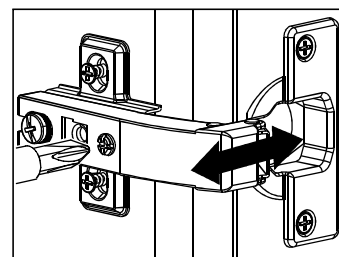
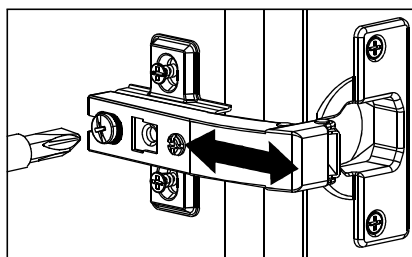
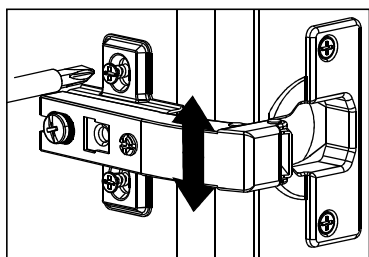


Detail 12



Detail 13

ADJUSTMENTS

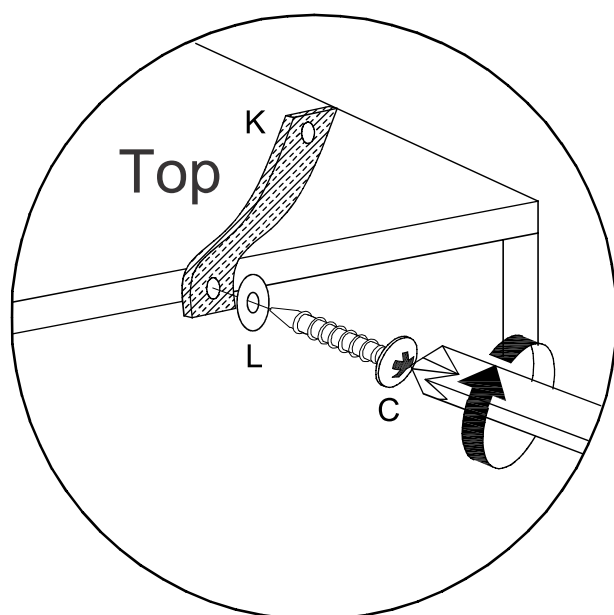





WARNING

Serious or fatal injuries can occur from furniture tipping over. To prevent the furniture from tipping over we recommend that it is permanently fixed to the wall.

Wall fixings are not supplied with this product as different wall materials require different types of fixing devices.

Please make sure you use fixings suitable for the walls in your home.



K		1
	Strap	
L		2
	Washer	
C		1
	Ø3,5 x 30mm	

