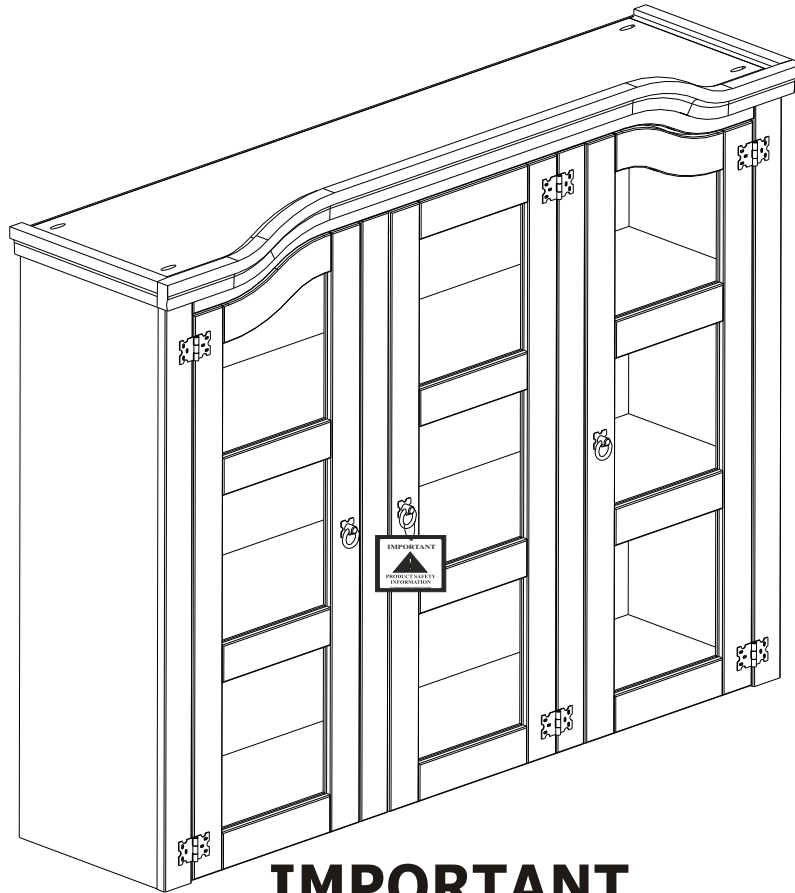


Corona 4'6" Buffet Hutch Top

ASSEMBLY INSTRUCTIONS



IMPORTANT

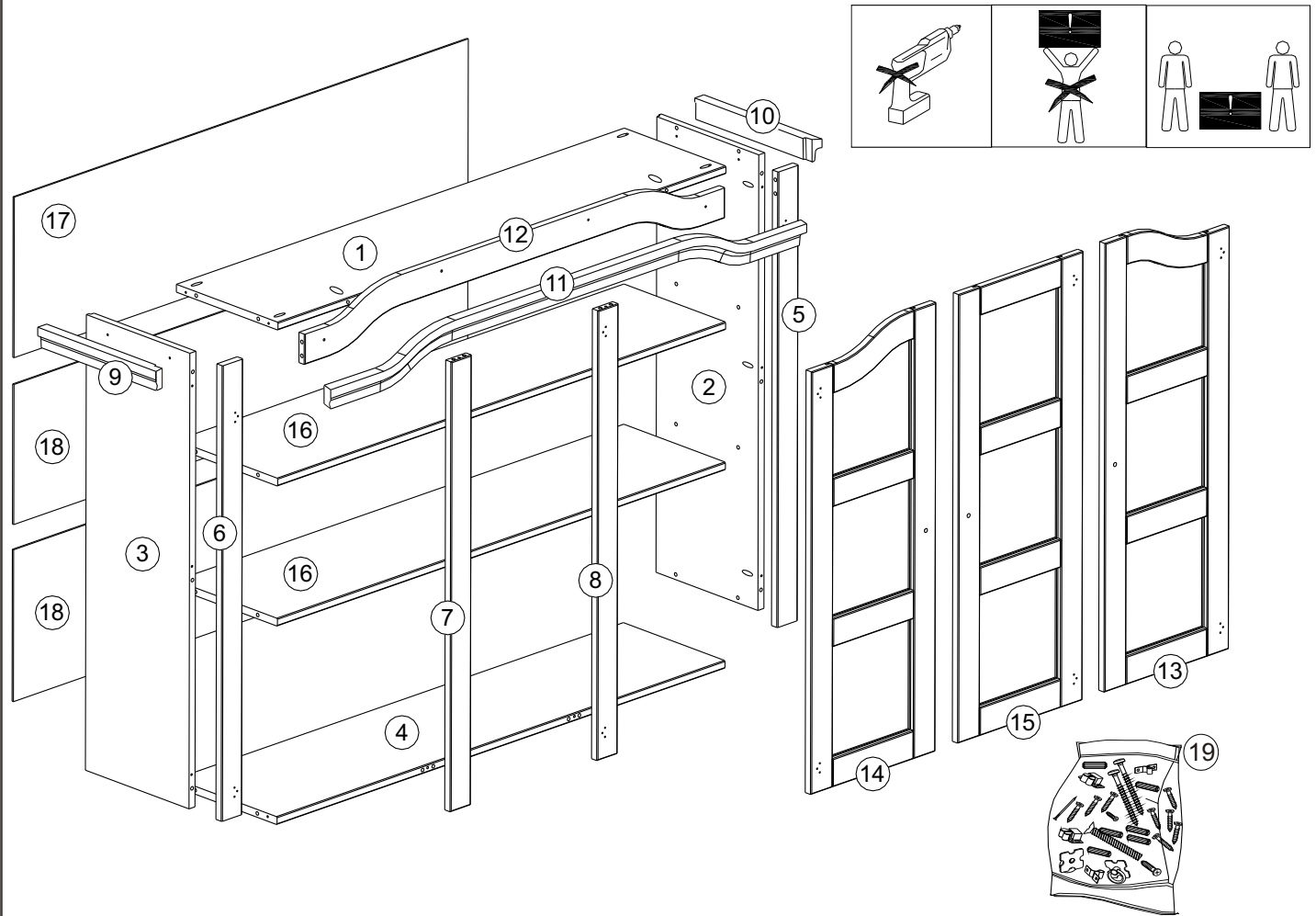
PLEASE READ BEFORE YOU CONTINUE FURTHER

FOR DOMESTIC USE ONLY

CARE AND MAINTENANCE

After unpacking this product please keep the original packaging in case it needs to be returned for any reason.

- Please ensure all fittings and parts are present before commencing with assembly.
- We recommend that you lay a blanket or sheet on the floor to avoid damage to both your floor and the product.
- We strongly recommend that you keep children away from your work area.
- Assemble this product as close to its final position as possible.
- Never drag or push products as this could cause damage to the joints making it inferior.
- Do not place this product next to a radiator or in direct sunlight.
- Wood is a natural product and may expand if subjected to damp and may shrink or crack if subjected to heat. Therefore it is recommended that room temperature is maintained, with no sudden temperature fluctuations.
- Make sure any spillage is wiped off immediately.
- Do not place hot or chilled items directly on to the surface, use a place mat or marking will occur.
- For general cleaning use a duster, and do not use detergents of any kind. However, the surface will need to be retreated from time to time. This can be done by using block wax (unperfumed) and rubbing it over the whole item.
- From time to time it may be necessary to tighten fittings, regular inspections should be carried out.



	<p>2,5m x 3m</p>		
--	------------------	--	--

1	Top panel	01
2	Right side panel	01
3	Left side panel	01
4	Base	01
5	Right upright	01
6	Left upright	01
7	Left centre upright	01
8	Right centre upright	01
9	Left top plinth	01

10	Right top plinth	01
11	Front top plinth	01
12	Back top plinth	01
13	Right door	01
14	Left door	01
15	Centre door	01
16	Shelf	02
17	Large back panel	01
18	Small back panel	02
19	Hardware kit	01



* The use of power tools to assemble this product will invalidate any claim and may damage this product making it unsafe.

* Please assemble on a clean soft surface to avoid damage.

FITTINGS

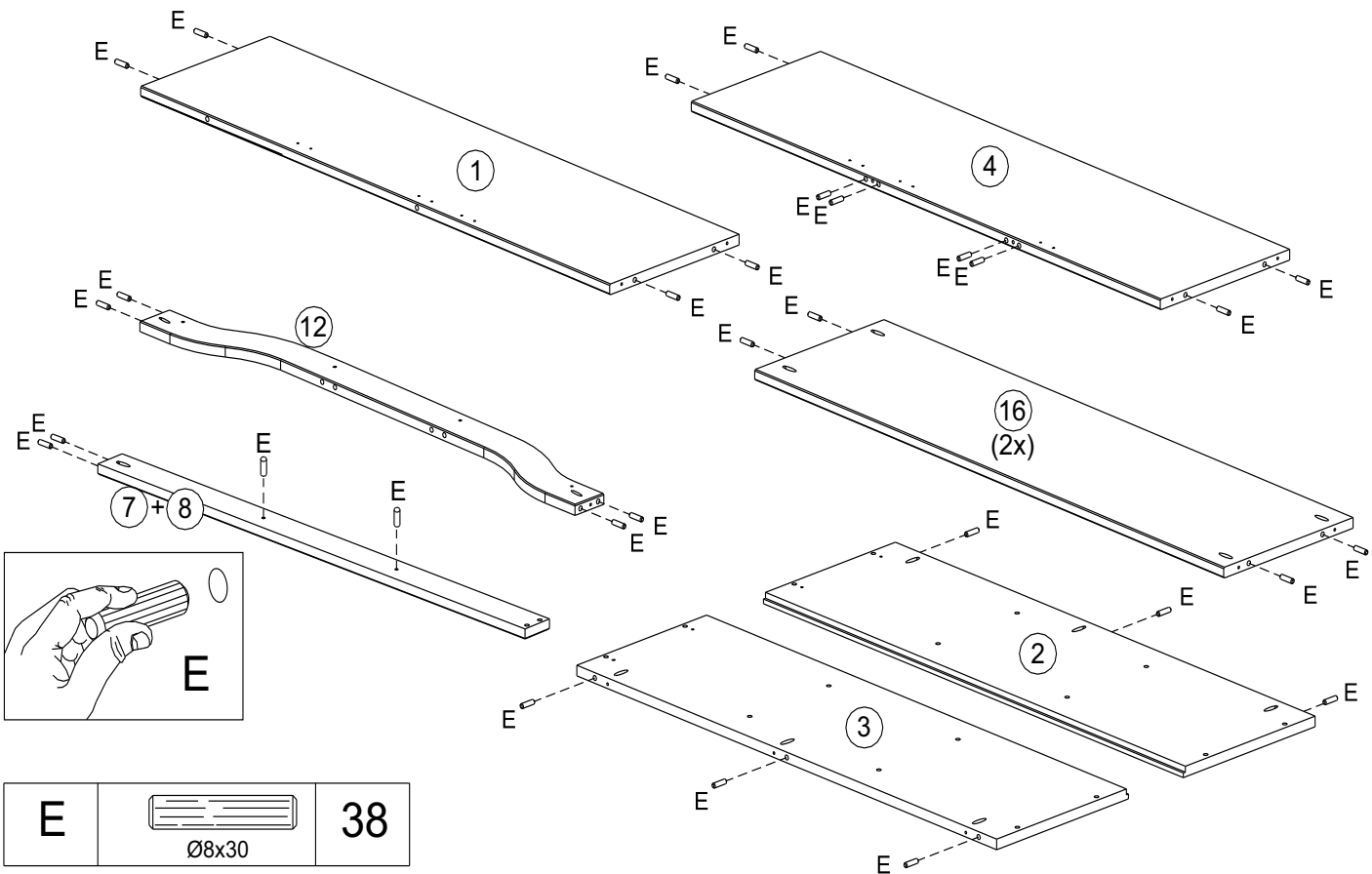


* Please check contents and read instructions before commencing assembly.
 * Assemble this product following the enclosed instruction carefully.
 * Please take care to avoid damaging panels during assembly.

A	3,5x30	28
B	3,0x30	10
C	3,5x16	40
D	10x10	50
E	Ø8x30	38
F		03

G		06
H		06
I		02
J	3,5 X 14 CC	24
K		01
L		01

01

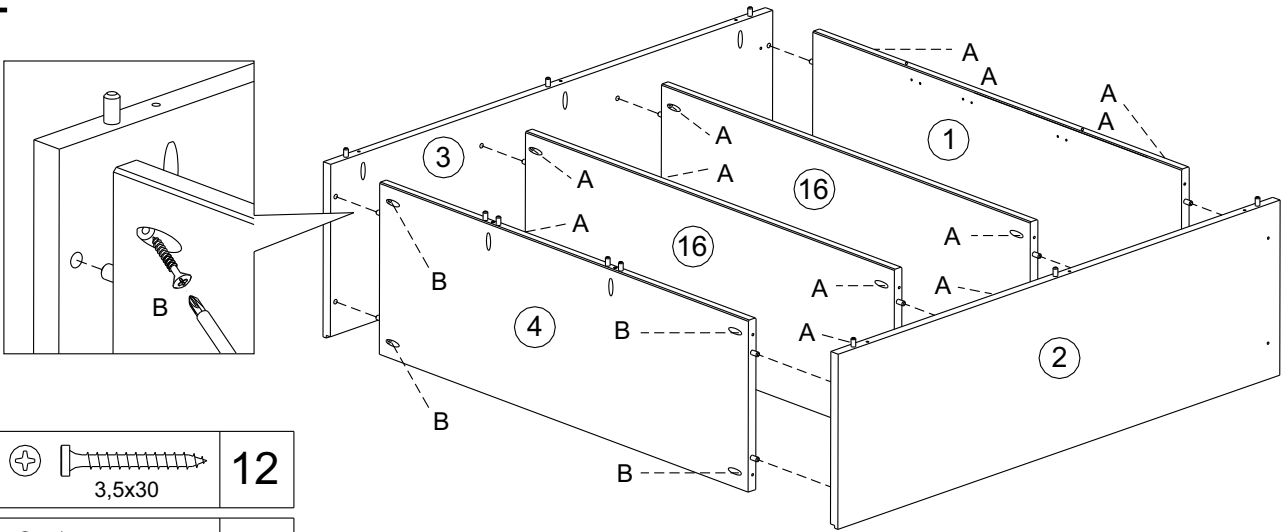




E	Ø8x30	38
---	-------	----



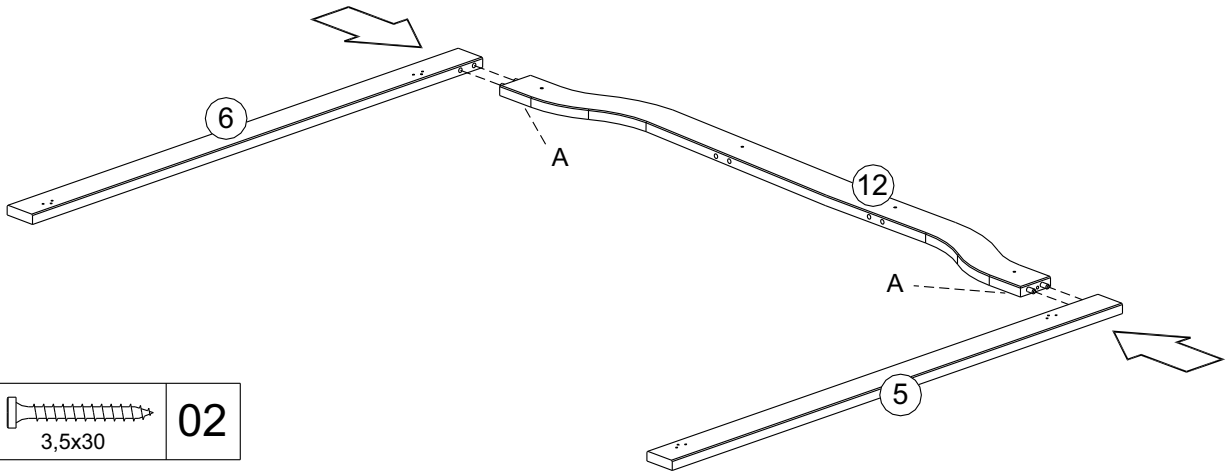
* The use of power tools to assemble this product will invalidate any claim and may damage this product making it unsafe.
 * Please assemble on a clean soft surface to avoid damage.


02



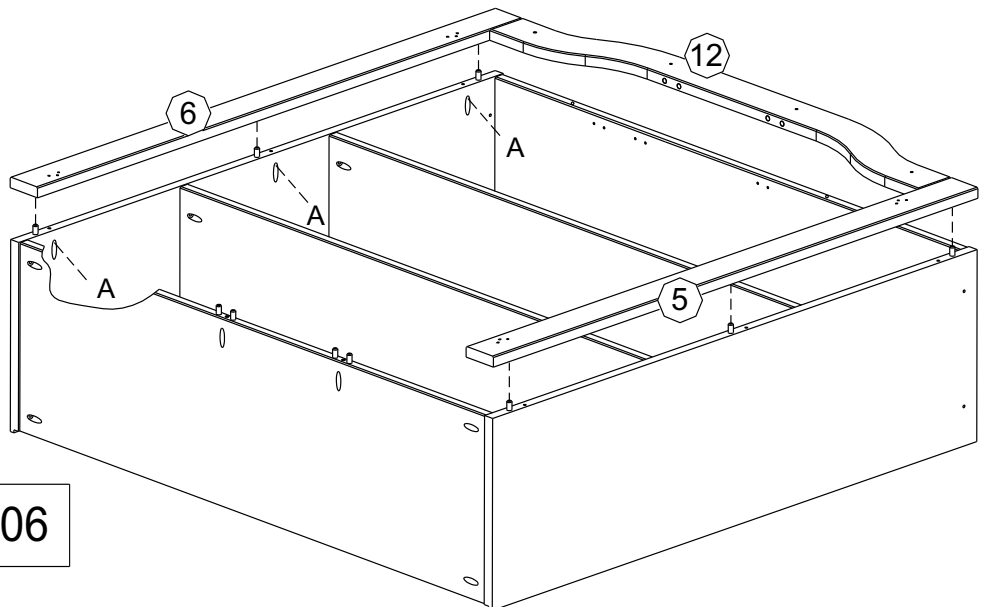
A		3,5x30	12
B		3,0x30	04


03



A		3,5x30	02
---	---	--------	----

04

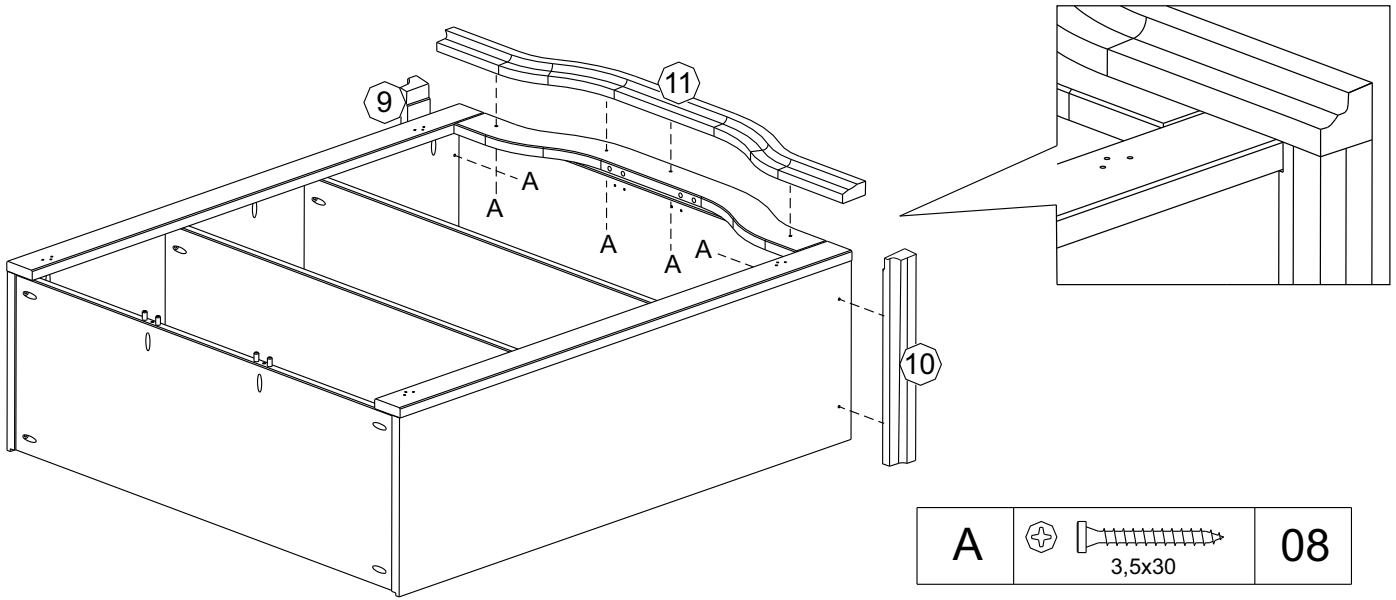


A		3,5x30	06
---	---	--------	----

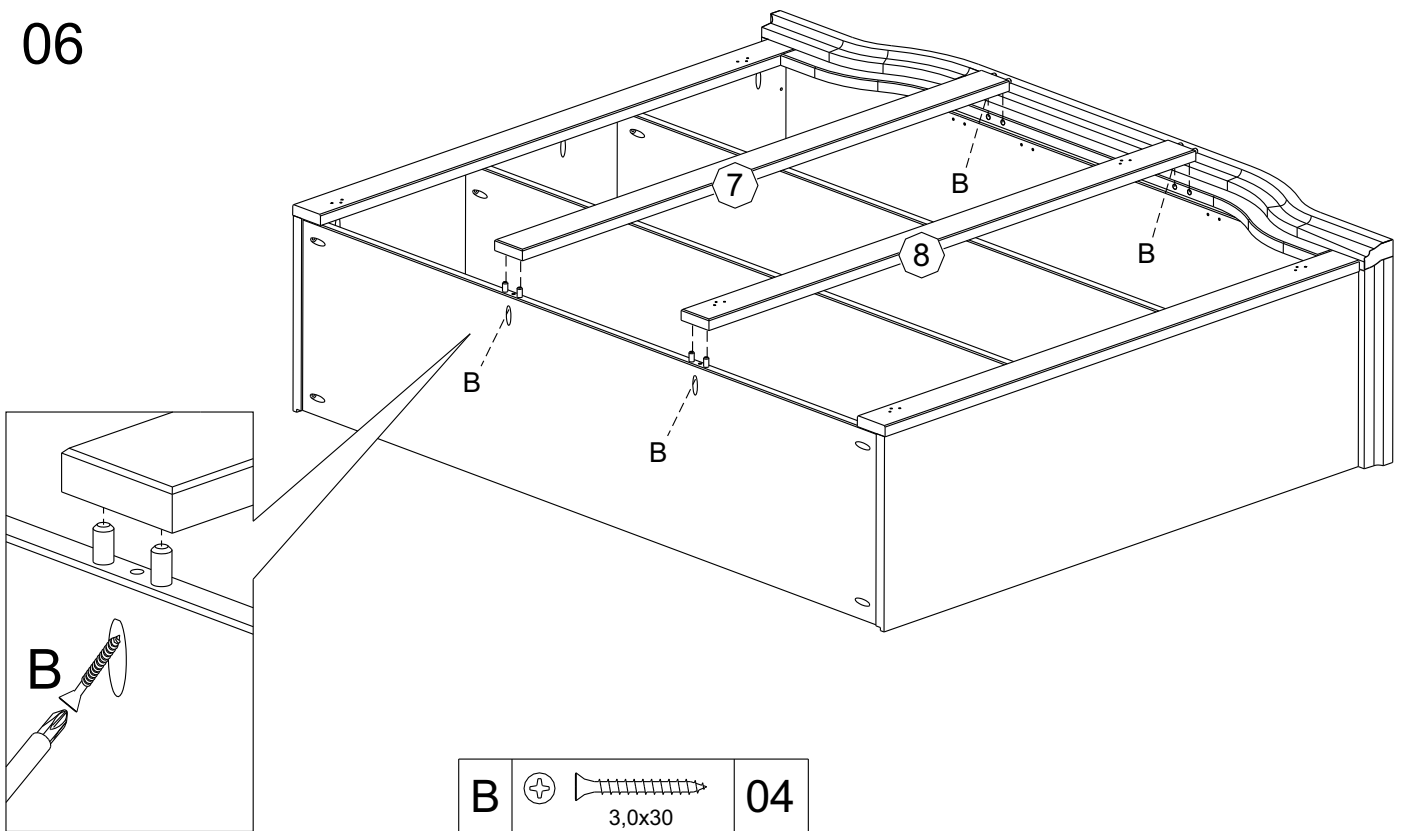


*The use of power tools to assemble this product will invalidate any claim and may damage this product making it unsafe.
 * Please assemble on a clean soft surface to avoid damage.

05

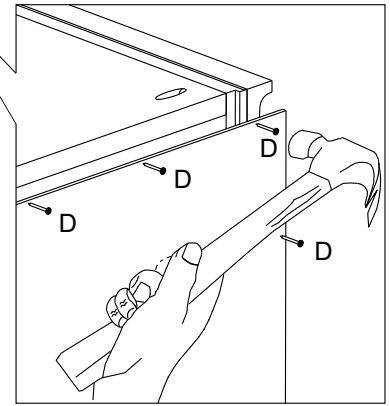
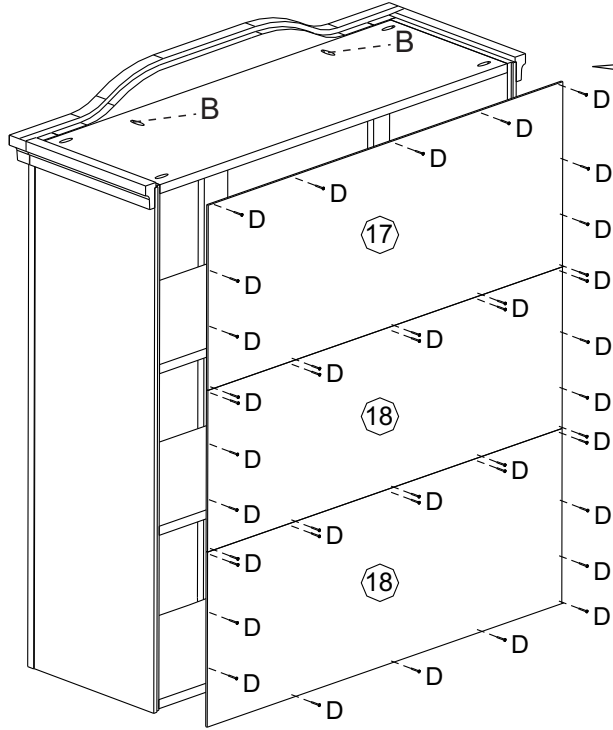


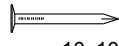
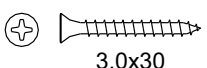
06



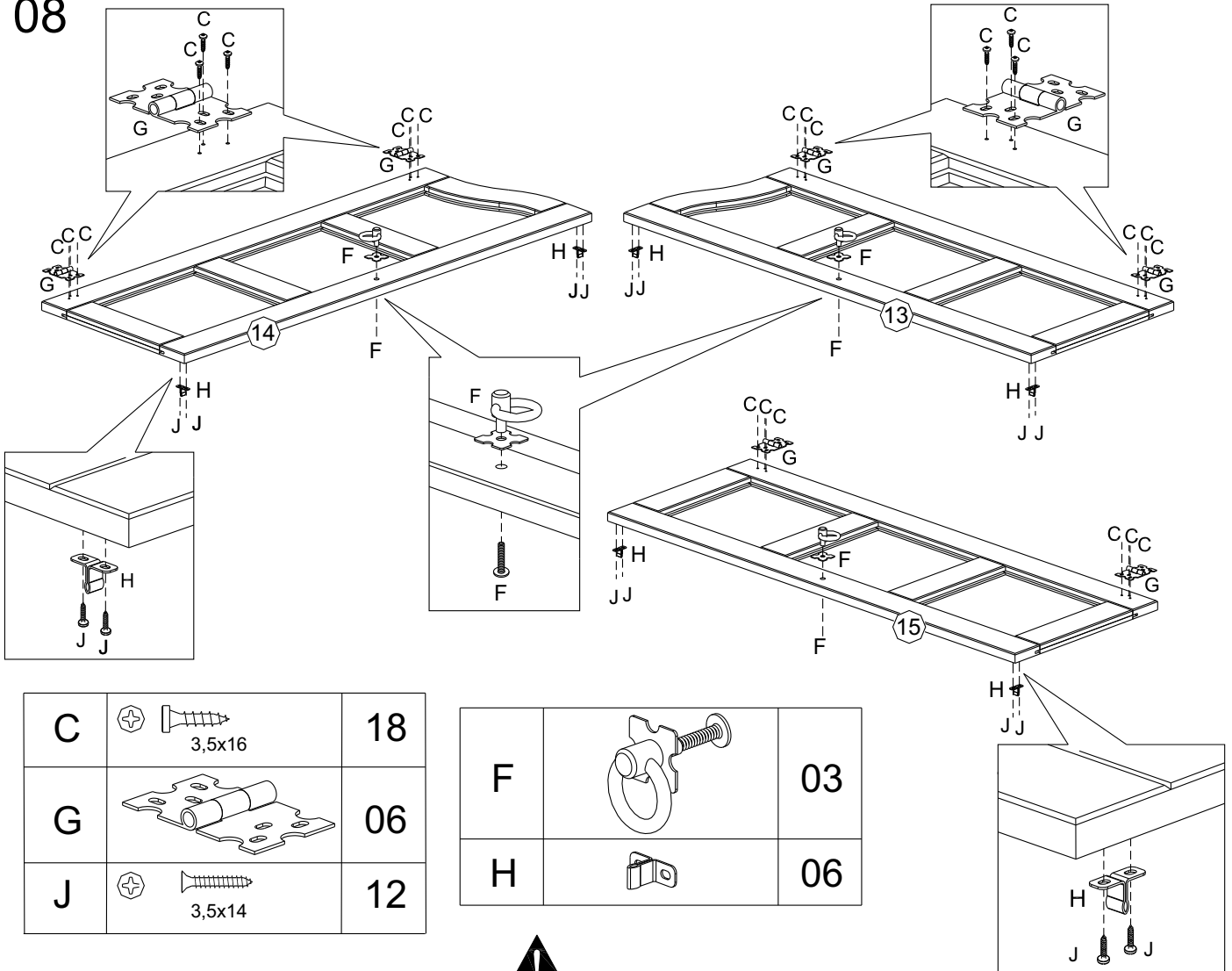
* The use of power tools to assemble this product will invalidate any claim and may damage this product making it unsafe.
 * Please assemble on a clean soft surface to avoid damage.


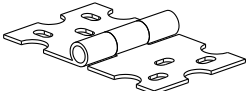

07

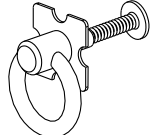



D	 10x10	50
B	 3,0x30	02

08

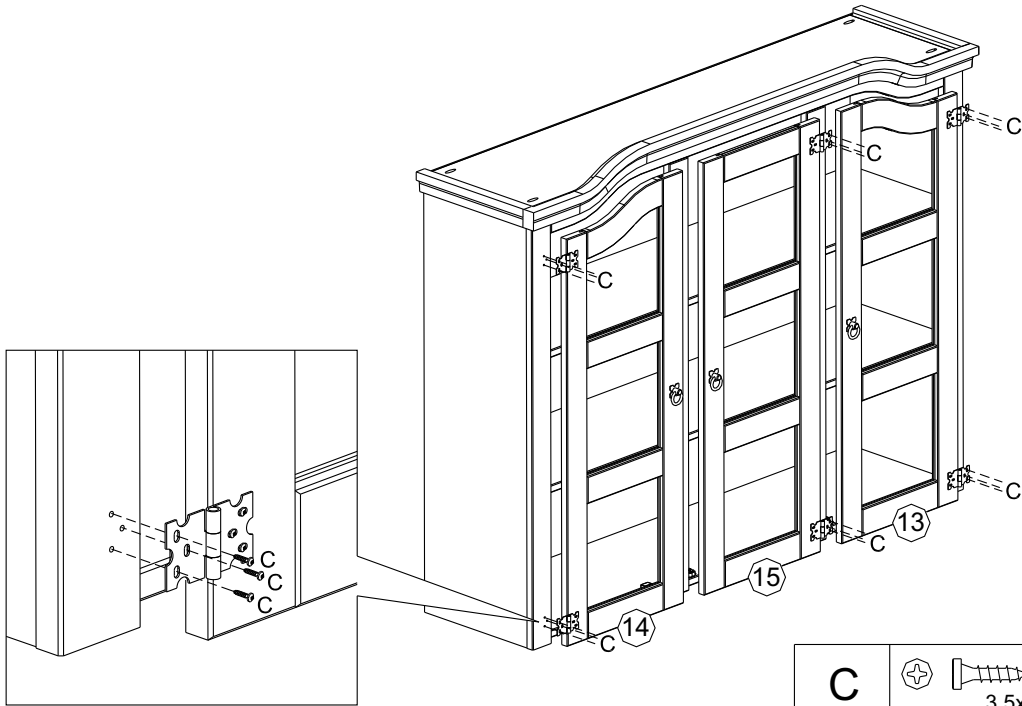



C	 3,5x16	18
G		06
J	 3,5x14	12

F		03
H		06

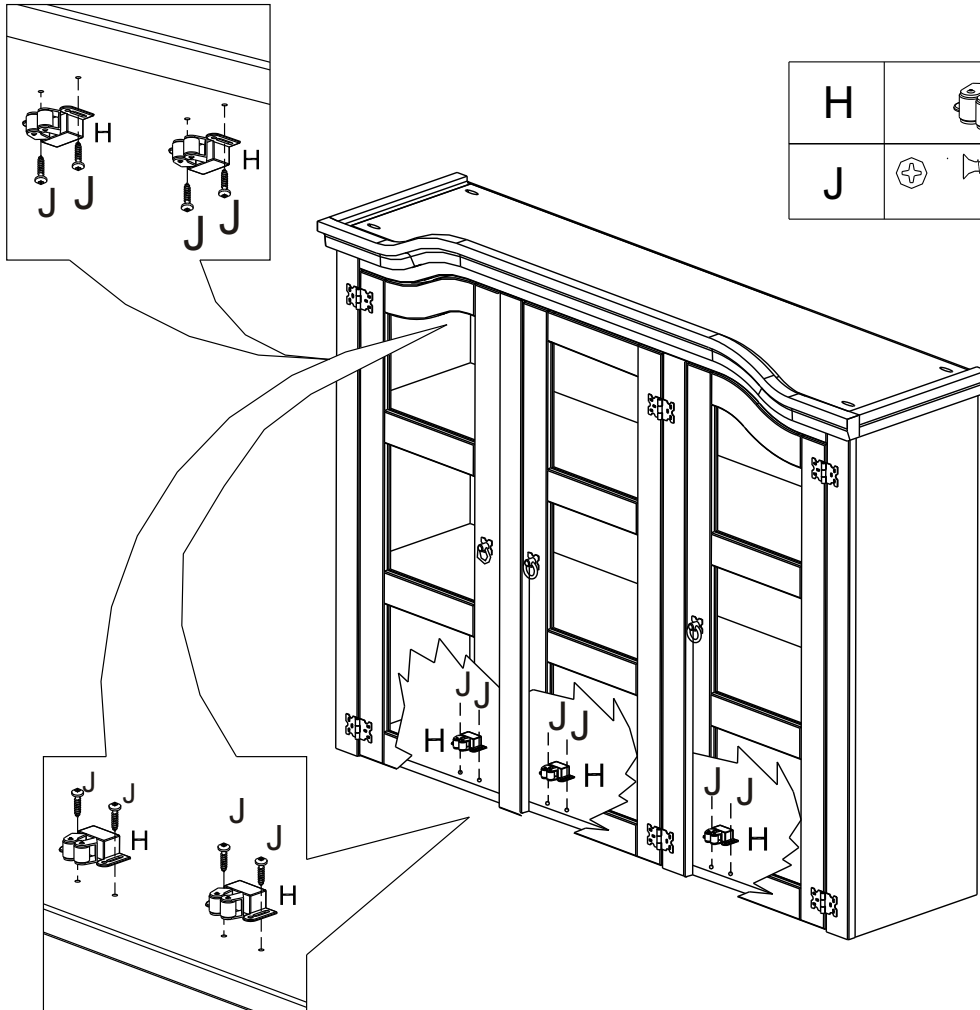
!
* The use of power tools to assemble this product will invalidate any claim and may damage this product making it unsafe.
* Please assemble on a clean soft surface to avoid damage.

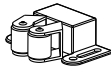

09



C		3,5x16	18
---	---	--------	----

10



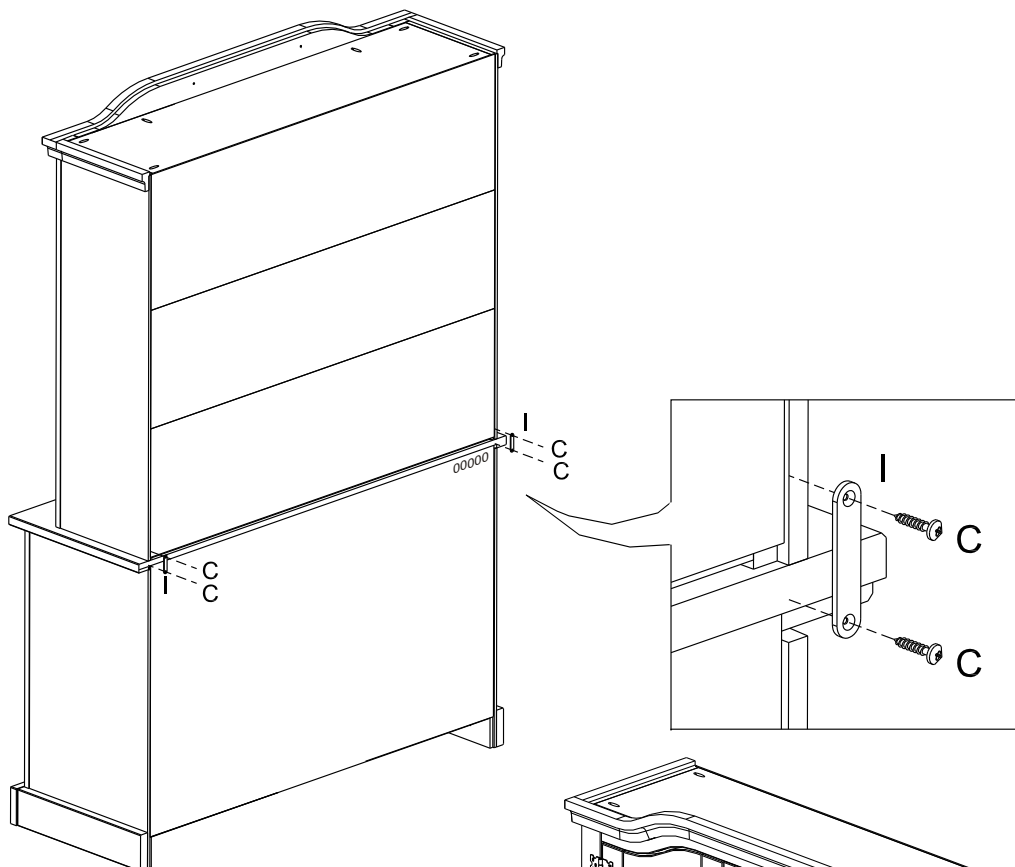
H		06	
J		3,5x14	12





* The use of power tools to assemble this product will invalidate any claim and may damage this product making it unsafe.

* Please assemble on a clean soft surface to avoid damage.

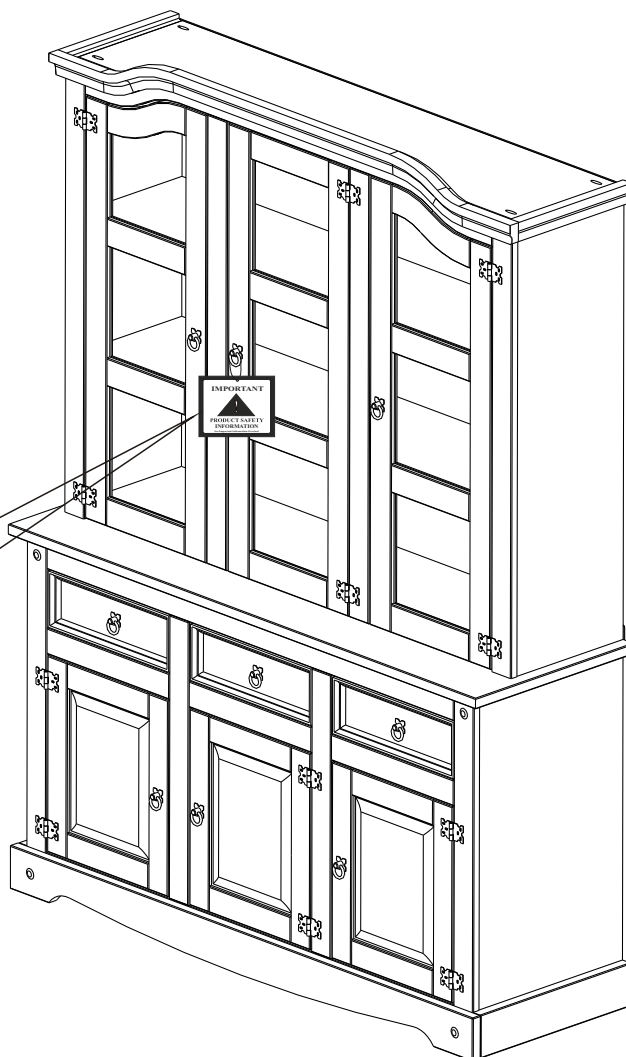
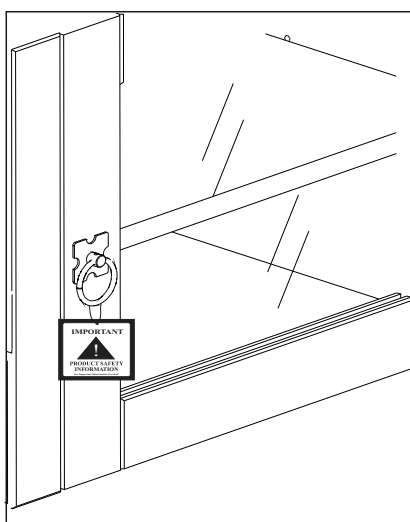
11



C		3,5x16	04
---	---	--------	----

I			02
---	---	--	----

K		Front Back	01
---	---	------------	----



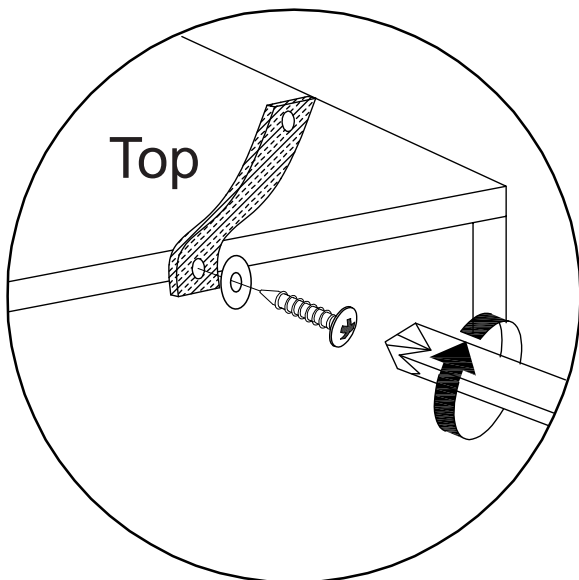
* The use of power tools to assemble this product will invalidate any claim and may damage this product making it unsafe.
 * Please assemble on a clean soft surface to avoid damage.

WARNING

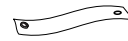
Serious or fatal injuries can occur from furniture tipping over. To prevent the furniture from tipping over we recommend that it is permanently fixed to the wall.

Wall fixings are not supplied with this product as different wall materials require different types of fixing devices.

Please make sure you use fixings suitable for the walls in your home.



L - HARDWARE LIST



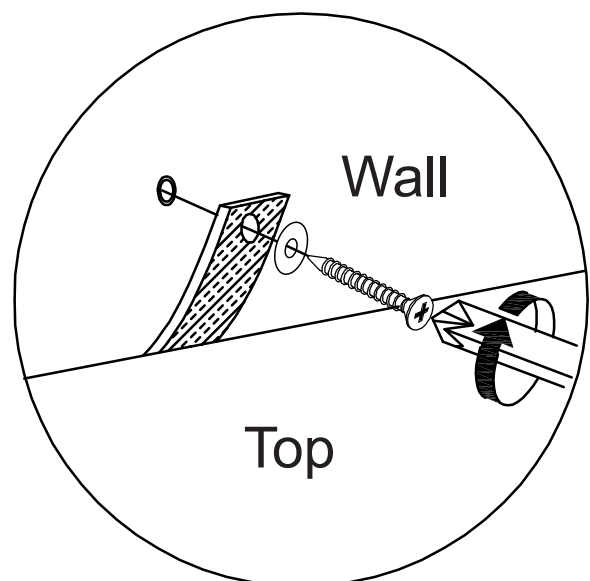
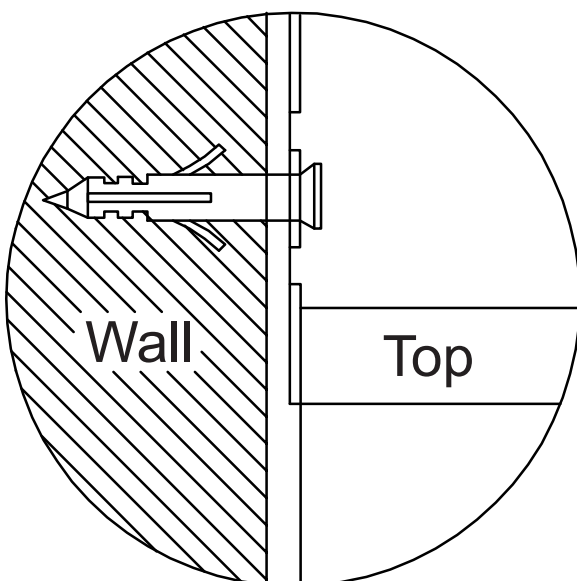
Strap (Anti-Tip Kit)
(1x)



Wood Screw (Anti-Tip Kit)
3,5 x 25mm (1x)

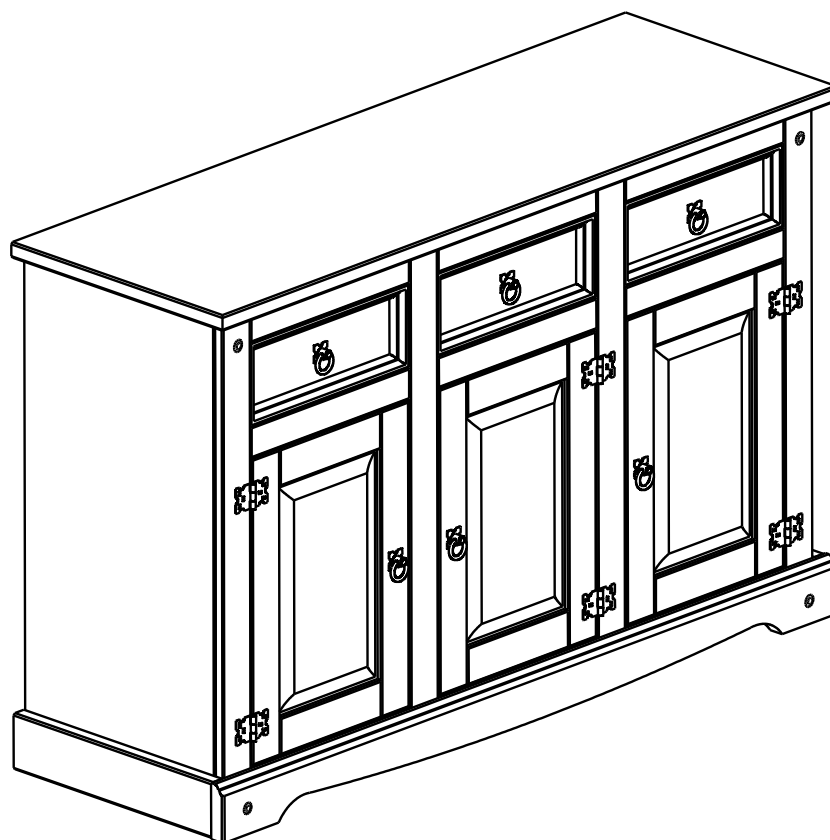


Washer (Anti-Tip Kit)
(2x)



Corona 4'6" Buffet Hutch Base

ASSEMBLY INSTRUCTIONS



IMPORTANT

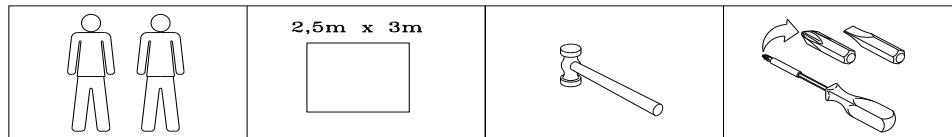
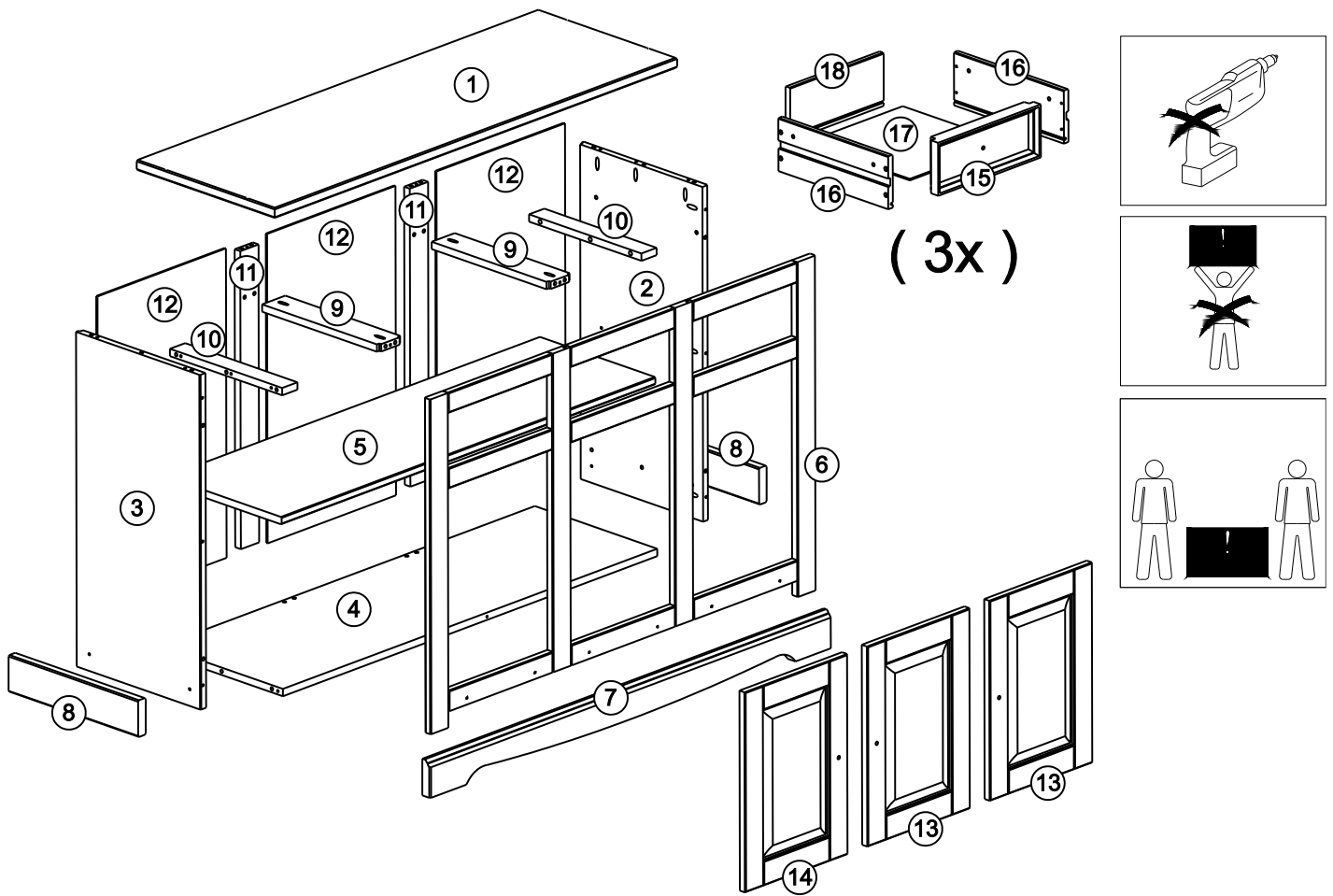
PLEASE READ BEFORE YOU CONTINUE FURTHER

FOR DOMESTIC USE ONLY

CARE AND MAINTENANCE

After unpacking this product please keep the original packaging in case it needs to be returned for any reason.

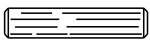
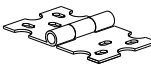

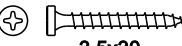


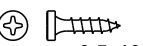
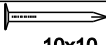
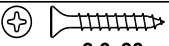


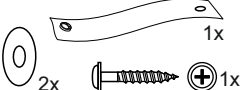
- Please ensure all fittings and parts are present before commencing with assembly.
- We recommend that you lay a blanket or sheet on the floor to avoid damage to both your floor and the product.
- We strongly recommend that you keep children away from your work area.
- Assemble this product as close to its final position as possible.
- Never drag or push products as this could cause damage to the joints making it inferior.
- Do not place this product next to a radiator or in direct sunlight.
- Wood is a natural product and may expand if subjected to damp and may shrink or crack if subjected to heat. Therefore it is recommended that room temperature is maintained, with no sudden temperature fluctuations.
- Make sure any spillage is wiped off immediately.
- Do not place hot or chilled items directly on to the surface, use a place mat or marking will occur.
- For general cleaning use a duster, and do not use detergents of any kind. However, the surface will need to be retreated from time to time. This can be done by using block wax (unperfumed) and rubbing it over the whole item.
- From time to time it may be necessary to tighten fittings, regular inspections should be carried out.



PARTS LIST

1	Top panel	01	7	Front plinth	01	13	Mid/Right door	02
2	Right side panel	01	8	Side plinth	02	14	Left door	01
3	Left side panel	01	9	Centre drawer runner	02	15	Drawer front	03
4	Base	01	10	Side drawer runner	02	16	Drawer side	06
5	Shelf	01	11	Back crossbeam	02	17	Drawer bottom	03
6	Front frame	01	12	Back panel	03	18	Drawer back	03

FITTINGS

A	 Ø8x30	42	E		06	I		03
B	 3,5x30	46	F		06	J		03
C	 3,5x16	48	G		48	K	 3,0x30	24
D		04	H		04	L	 1x 2x	01

01

A		36
C		06
H		04
I		03


02

B		06
---	--	----

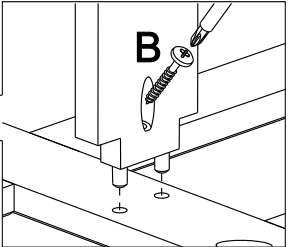
03

B		08
---	--	----


04

B		3,5x30	06
----------	---	---------------	-----------

Please Note:
Cut out on parts 09 should face the front.




05

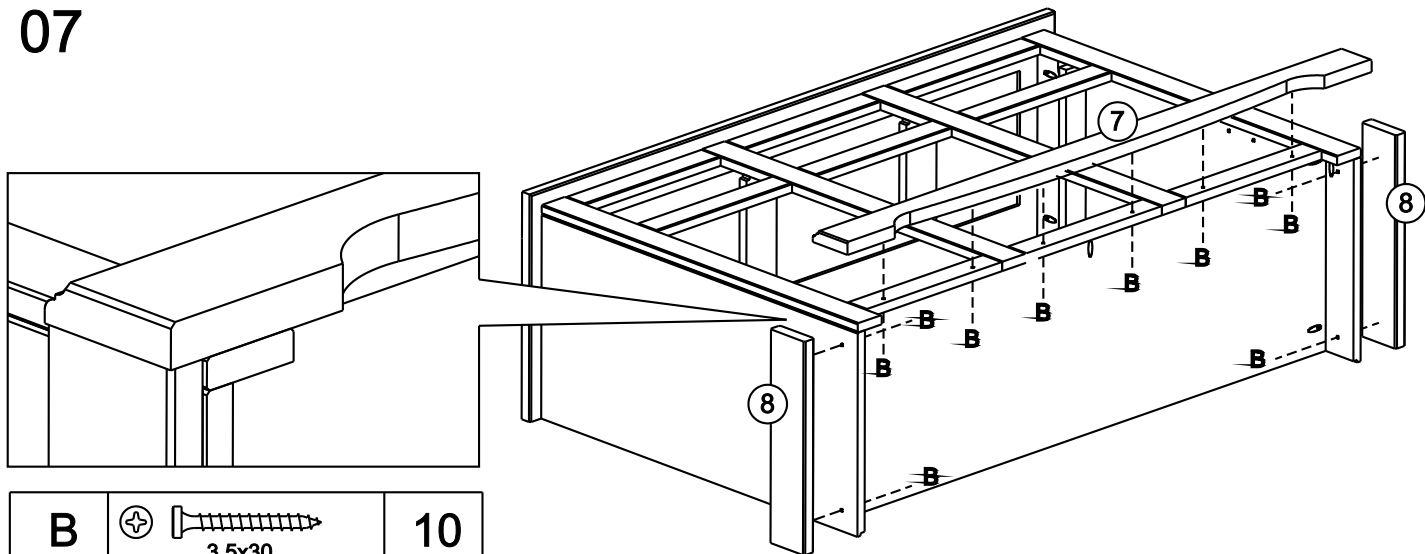
B		3,5x30	10
----------	---	---------------	-----------


06

(2x)

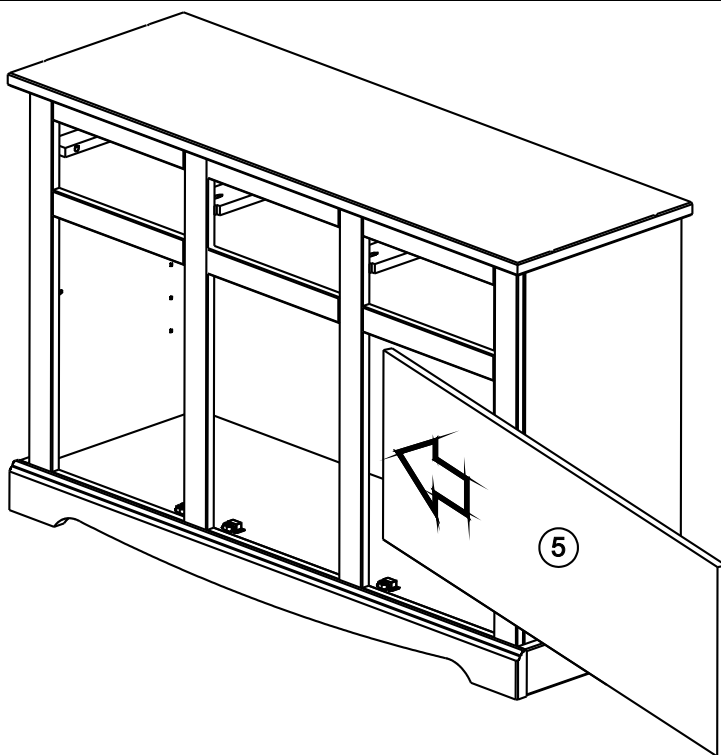
B		3,5x30	06
----------	---	---------------	-----------

07

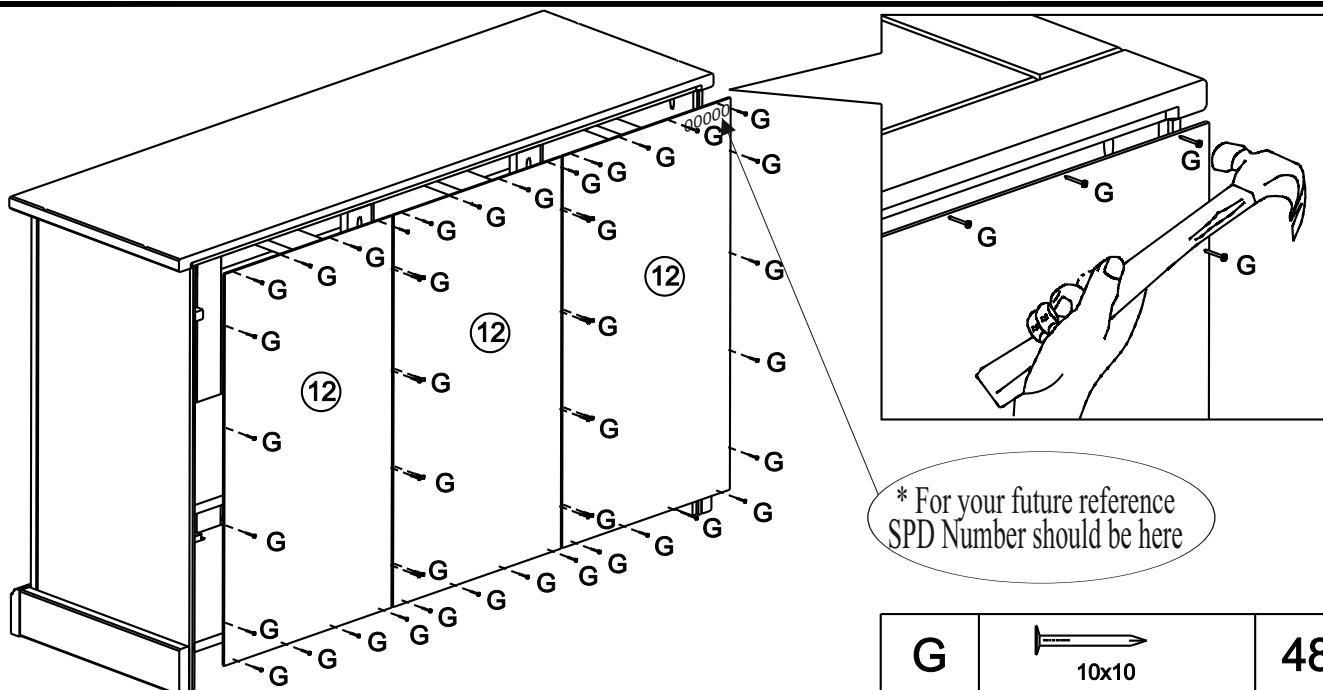


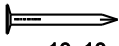
B	 3,5x30	10
---	--	----

08

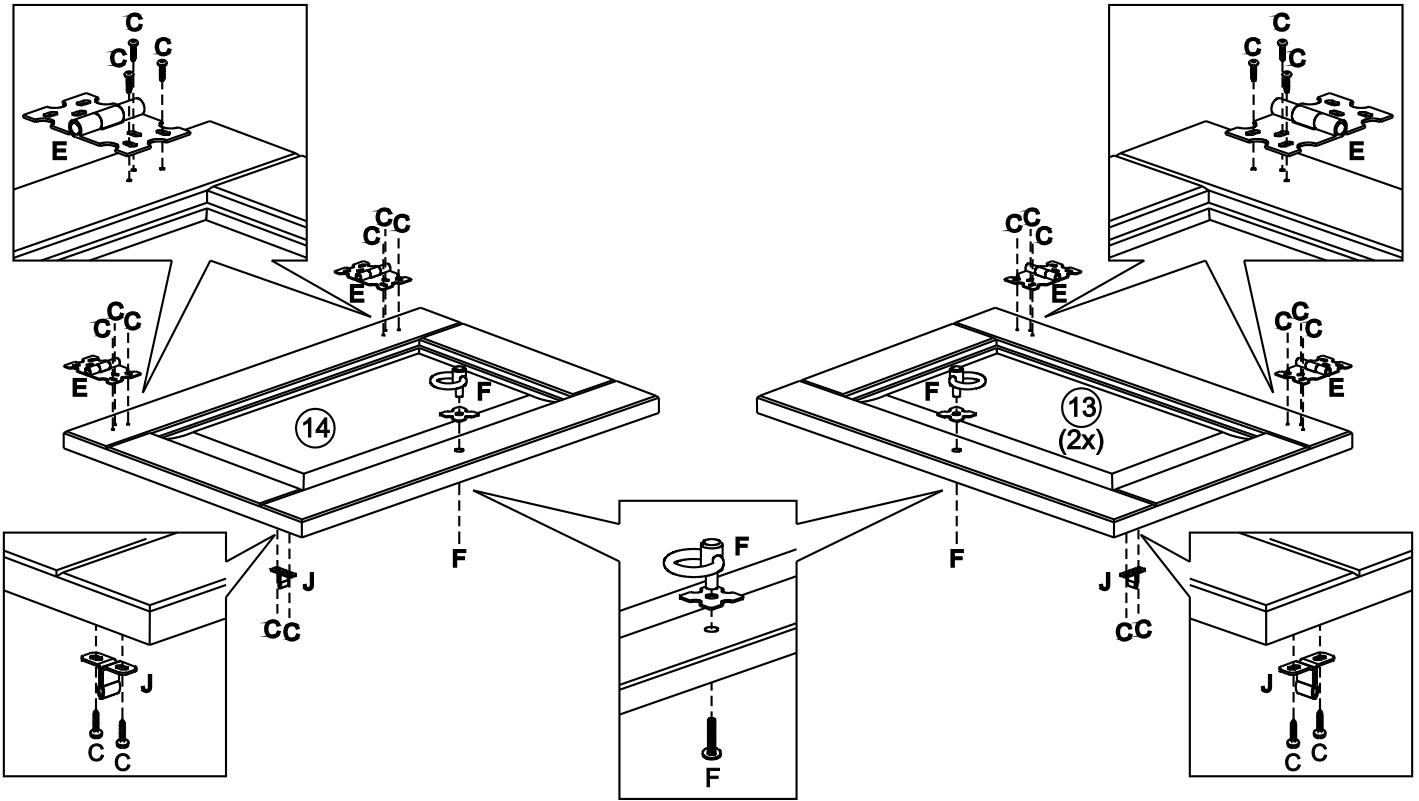



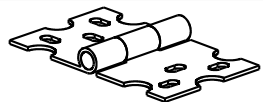
09

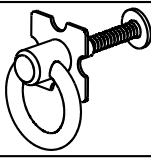



G	 10x10	48
---	---	----

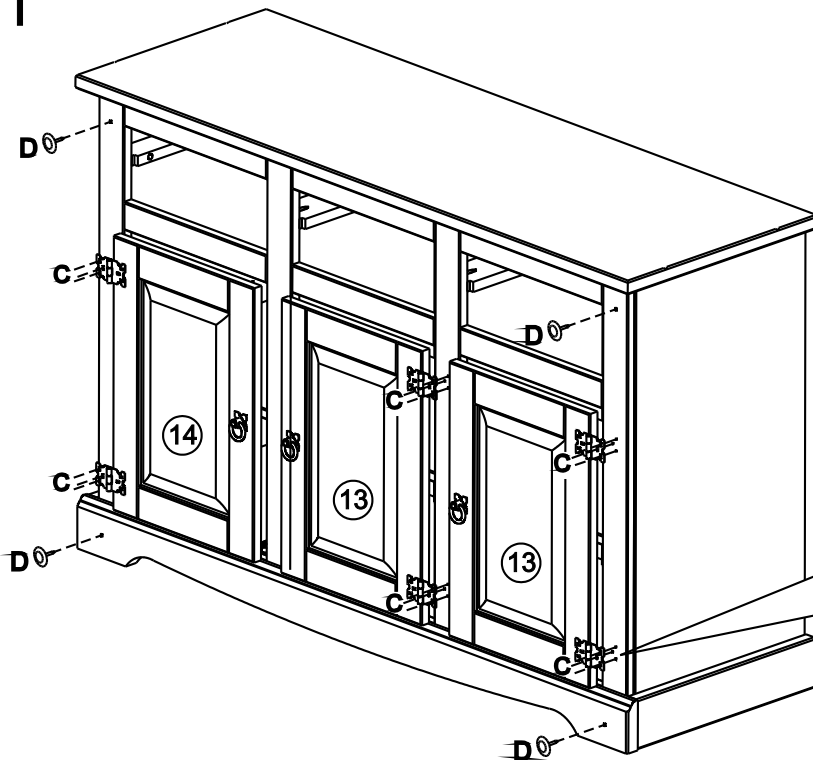
10





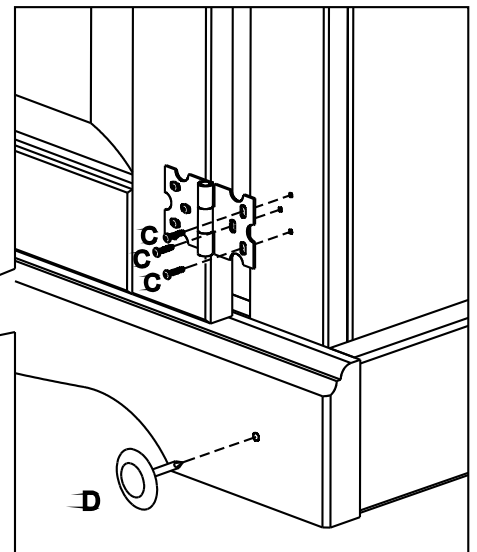
C	 3,5x16	24
E		06

F		03
J		03

11

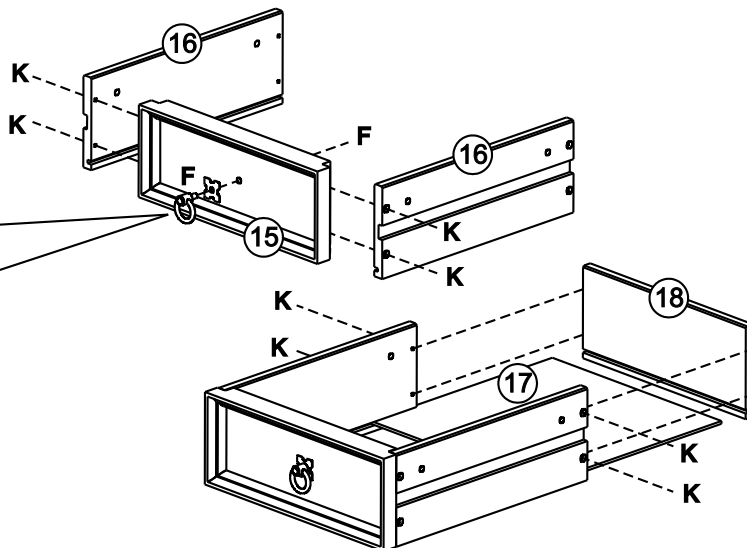
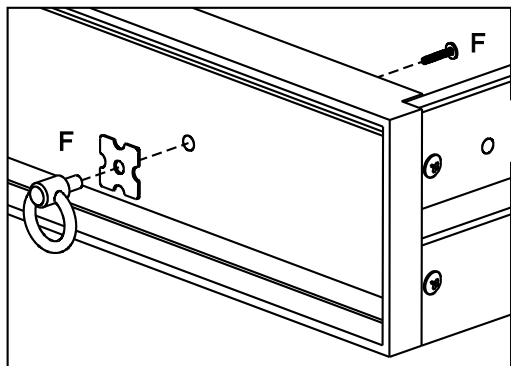


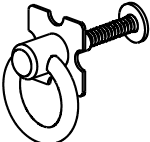
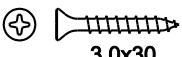
C	 3,5x16	18
D		04



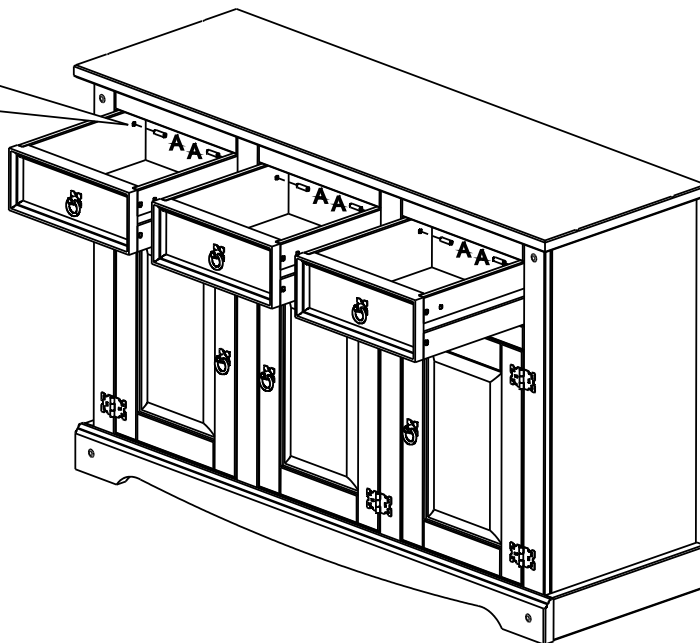
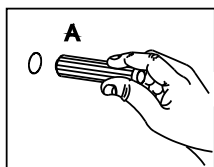
12


(3x)



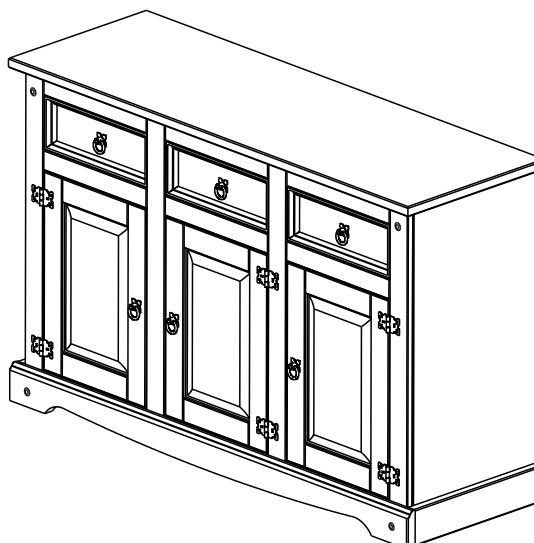
F		03
K	 3,0x30	24

13



A	 Ø8x30	06
---	--	----

14

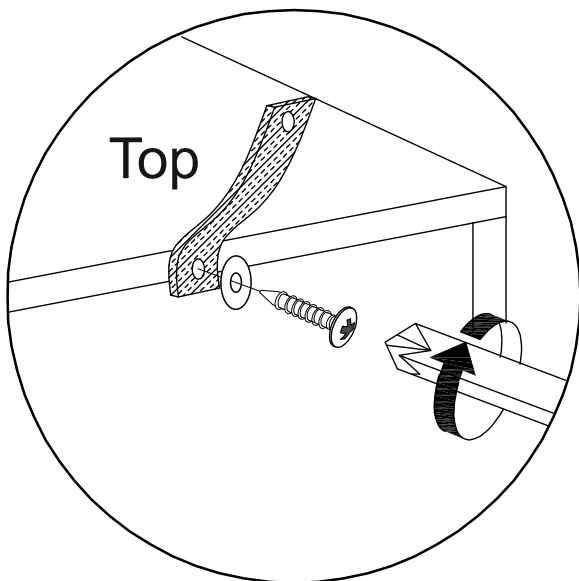


WARNING

Serious or fatal injuries can occur from furniture tipping over. To prevent the furniture from tipping over we recommend that it is permanently fixed to the wall.

Wall fixings are not supplied with this product as different wall materials require different types of fixing devices.

Please make sure you use fixings suitable for the walls in your home.



L - HARDWARE LIST



Strap (Anti-Tip Kit)
(1x)



Wood Screw (Anti-Tip Kit)
3,5 x 25mm (1x)



Washer (Anti-Tip Kit)
(2x)

