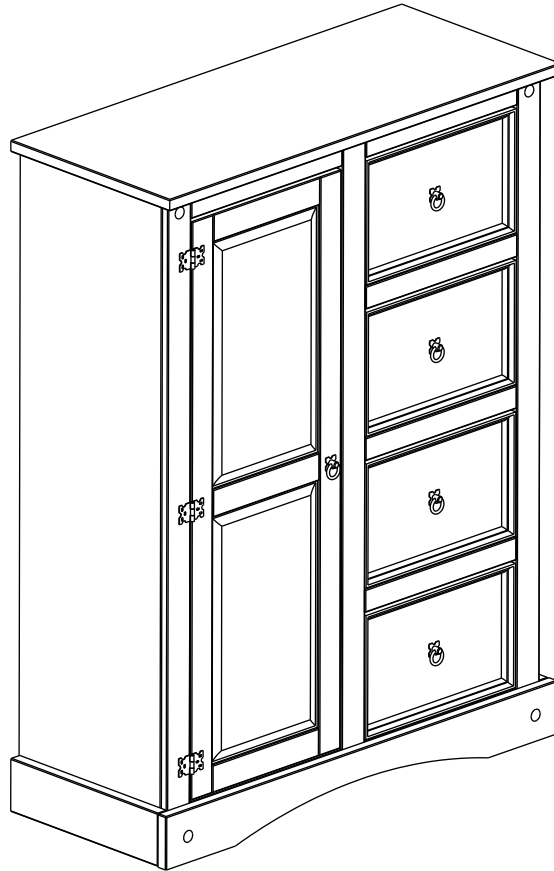


# Corona 1 Door 4 Drawer Low Wardrobe

## ASSEMBLY INSTRUCTIONS



### **IMPORTANT**

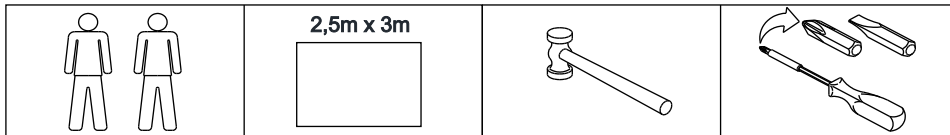
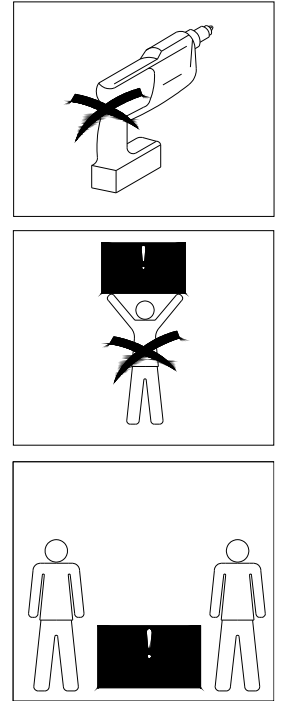
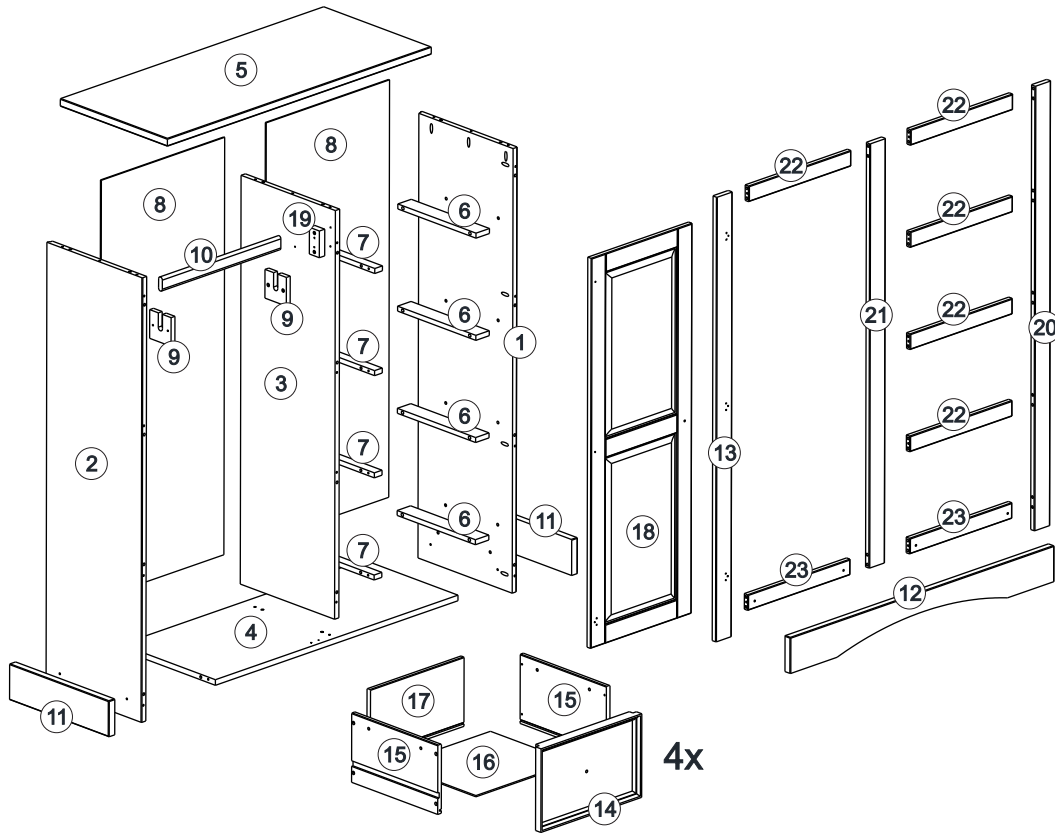
**PLEASE READ BEFORE YOU CONTINUE FURTHER**

## **FOR DOMESTIC USE ONLY**

# **CARE AND MAINTENANCE**

After unpacking this product please keep the original packaging in case it needs to be returned for any reason.

- Please ensure all fittings and parts are present before commencing with assembly.
- We recommend that you lay a blanket or sheet on the floor to avoid damage to both your floor and the product.
- We strongly recommend that you keep children away from your work area.
- Assemble this product as close to its final position as possible.
- Never drag or push products as this could cause damage to the joints making it inferior.
- Do not place this product next to a radiator or in direct sunlight.
- Wood is a natural product and may expand if subjected to damp and may shrink or crack if subjected to heat. Therefore it is recommended that room temperature is maintained, with no sudden temperature fluctuations.
- Make sure any spillage is wiped off immediately.
- Do not place hot or chilled items directly on to the surface, use a place mat or marking will occur.
- For general cleaning use a duster, and do not use detergents of any kind. However, the surface will need to be retreated from time to time. This can be done by using block wax (unperfumed) and rubbing it over the whole item.
- From time to time it may be necessary to tighten fittings, regular inspections should be carried out.



**!**  
 \* Use of power tools to assemble this product will invalidate any claim and damage this product making it unsafe !!!  
 \* Please assemble on a clean soft surface to avoid damage.

**!**  
 \* Please check contents and read the instructions before commencing assembly.  
 \* Assemble this product following the enclosed instructions carefully.  
 \* Please take care to avoid damaging panels during assembly.

### PARTS LIST

1	Right side panel	01	9	Rail support	02	17	Drawer back	04
2	Left side panel	01	10	Hanging rail	01	18	Door	01
3	Centre panel	01	11	Side Plinth	02	19	Catch support	01
4	Base	01	12	Front Plinth	01	20	Right Front Upright	01
5	Top panel	01	13	Left Front Upright	01	21	Centre Front Upright	01
6	Large drawer runner	04	14	Drawer front	04	22	Upper crossbeam	05
7	Small drawer runner	04	15	Drawer side	08	23	Bottom crossbeam	02
8	Back panel	02	16	Drawer bottom	04			

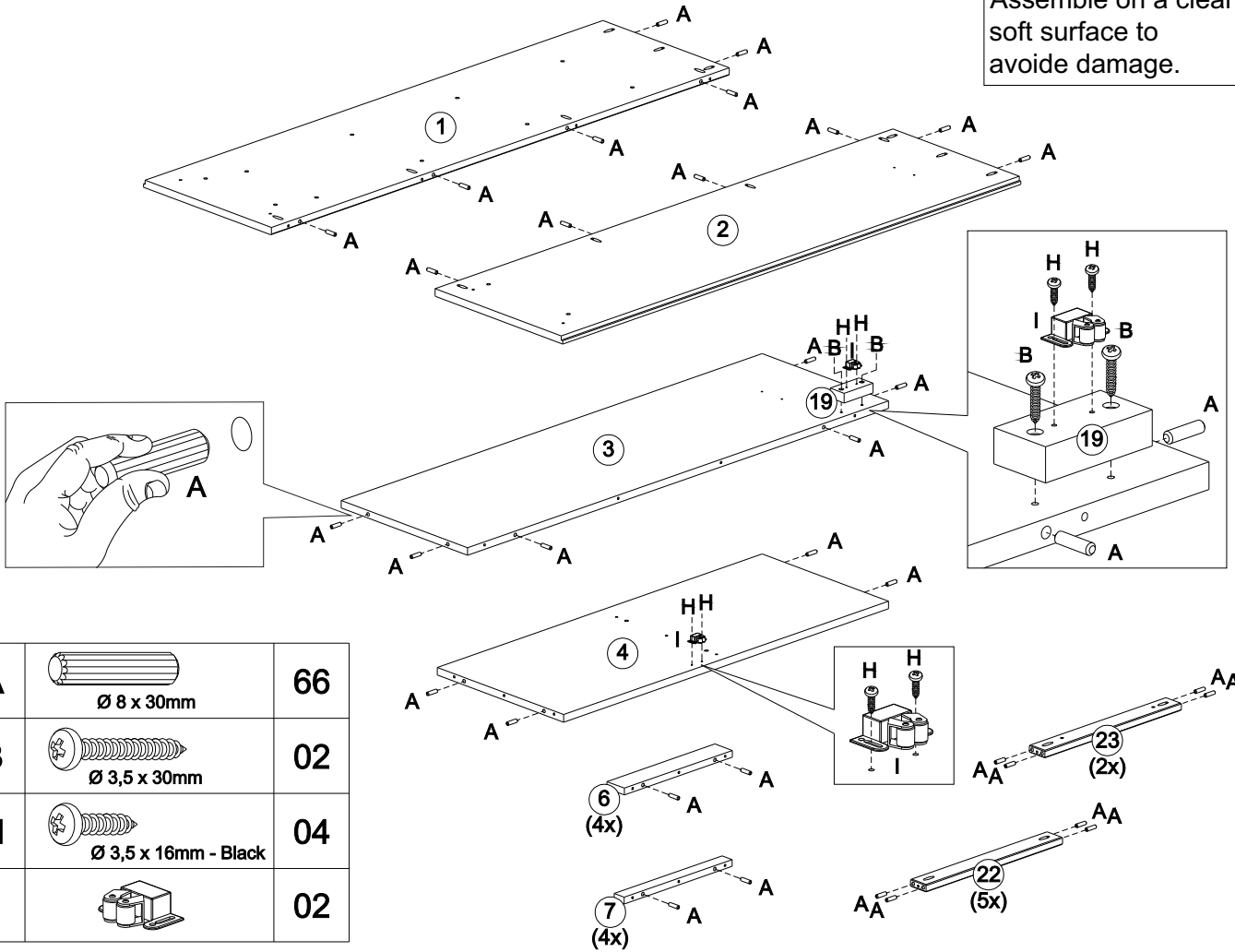
### FITTINGS


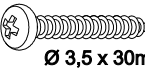

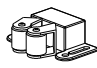
A		74	E		05	I		02
B		82	F		03	J		04
C		32	G		05	K		01
D		40	H		26			

01



Assemble on a clean soft surface to avoid damage.

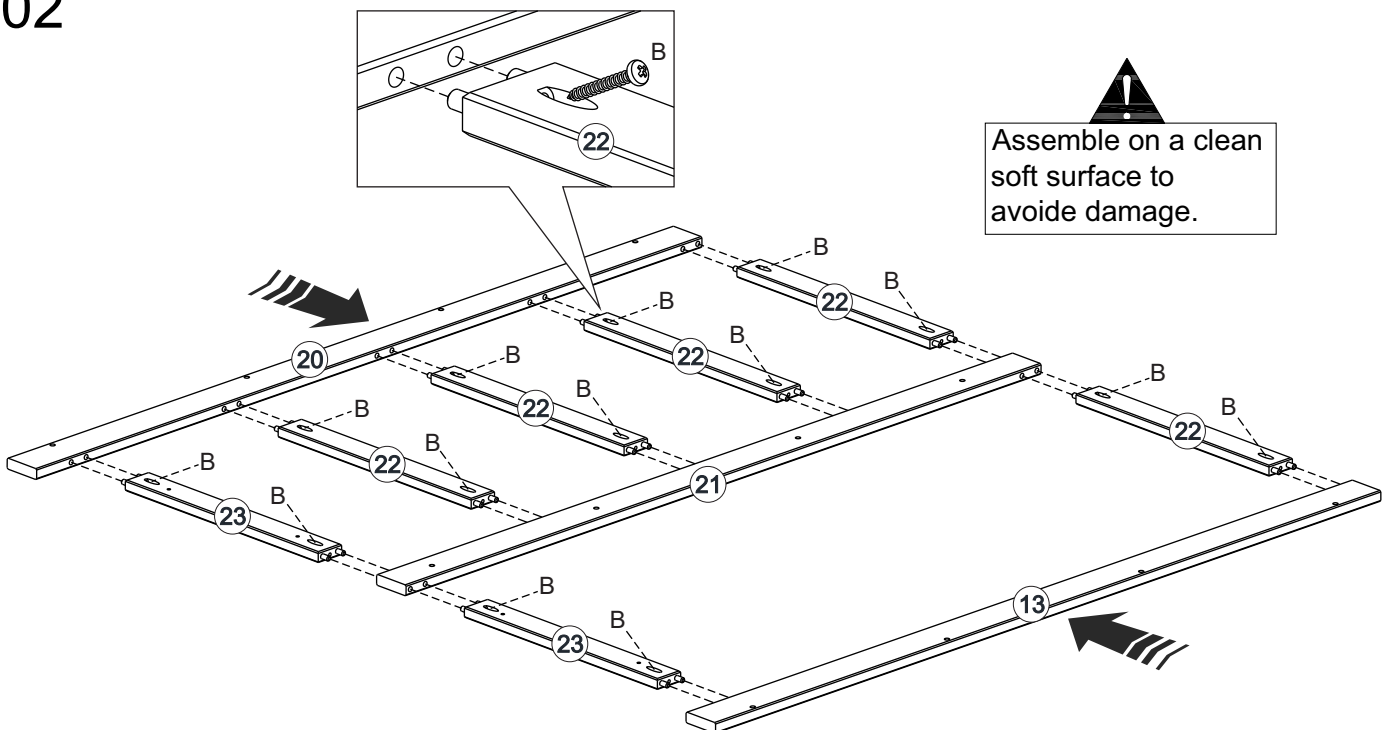


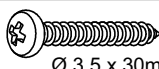
A		66
B		02
H		04
I		02

02



Assemble on a clean soft surface to avoid damage.

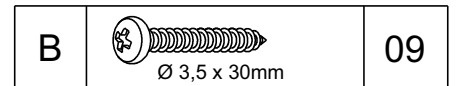
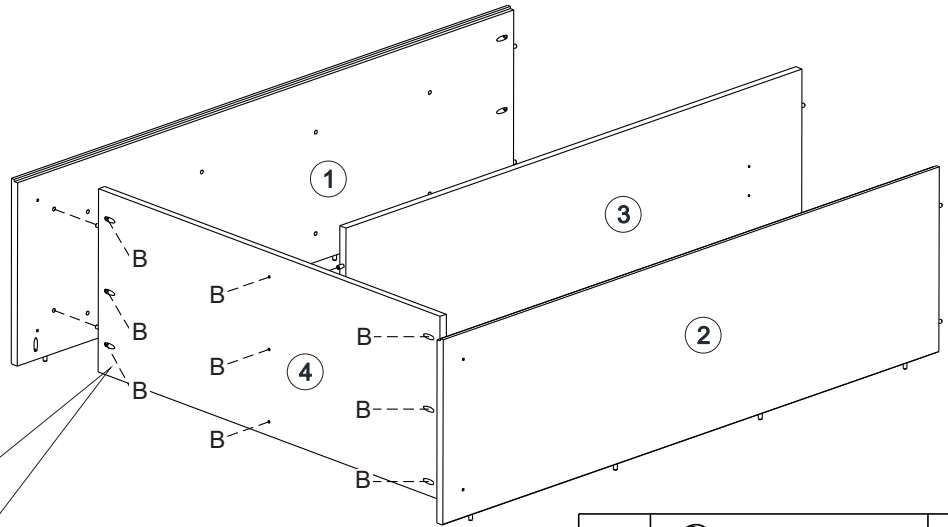
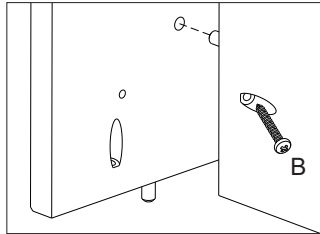


B		14
---	---	----

# 03



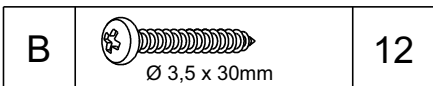
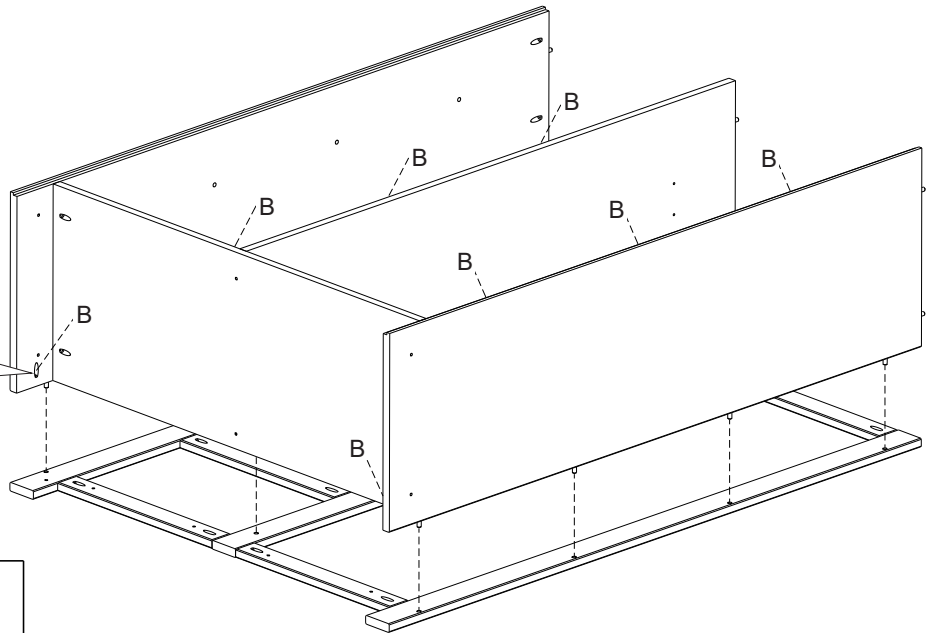
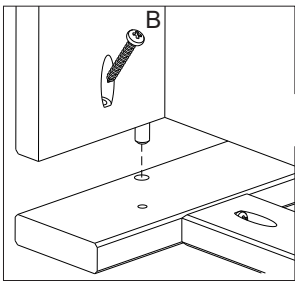
Assemble on a clean soft surface to avoid damage.



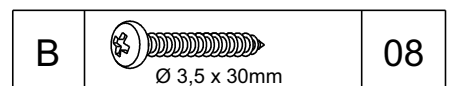
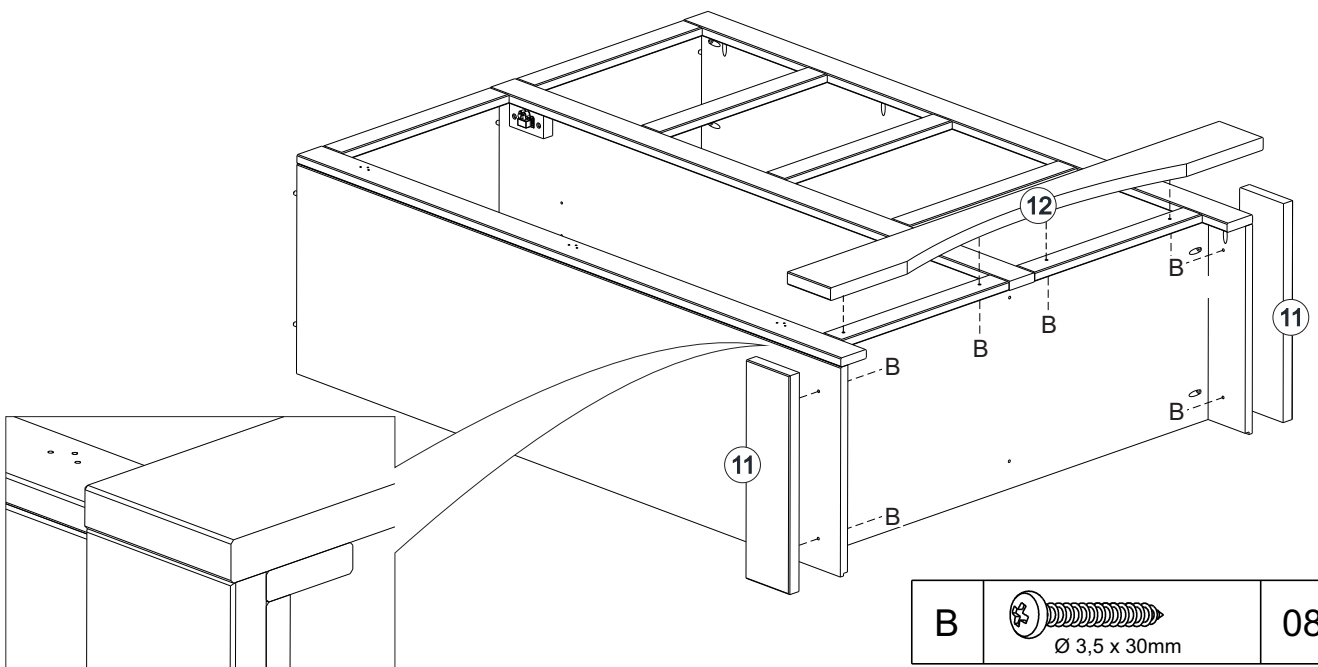
# 04



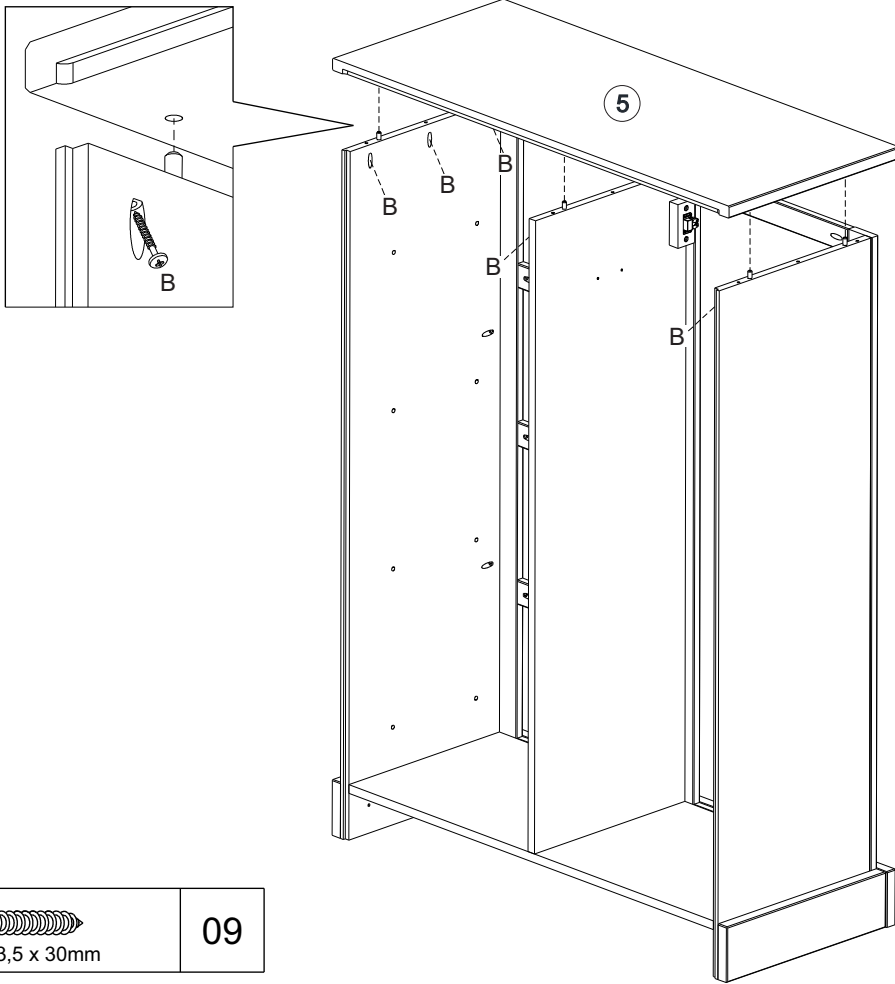
Assemble on a clean soft surface to avoid damage.

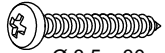


# 05

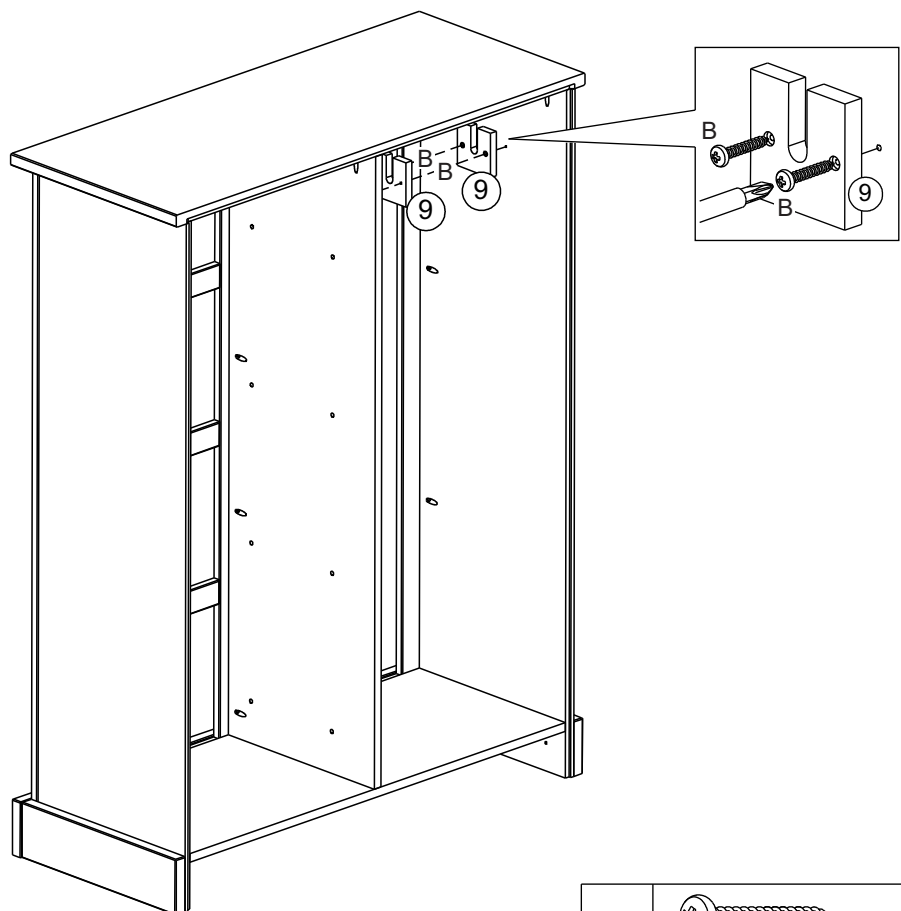


06



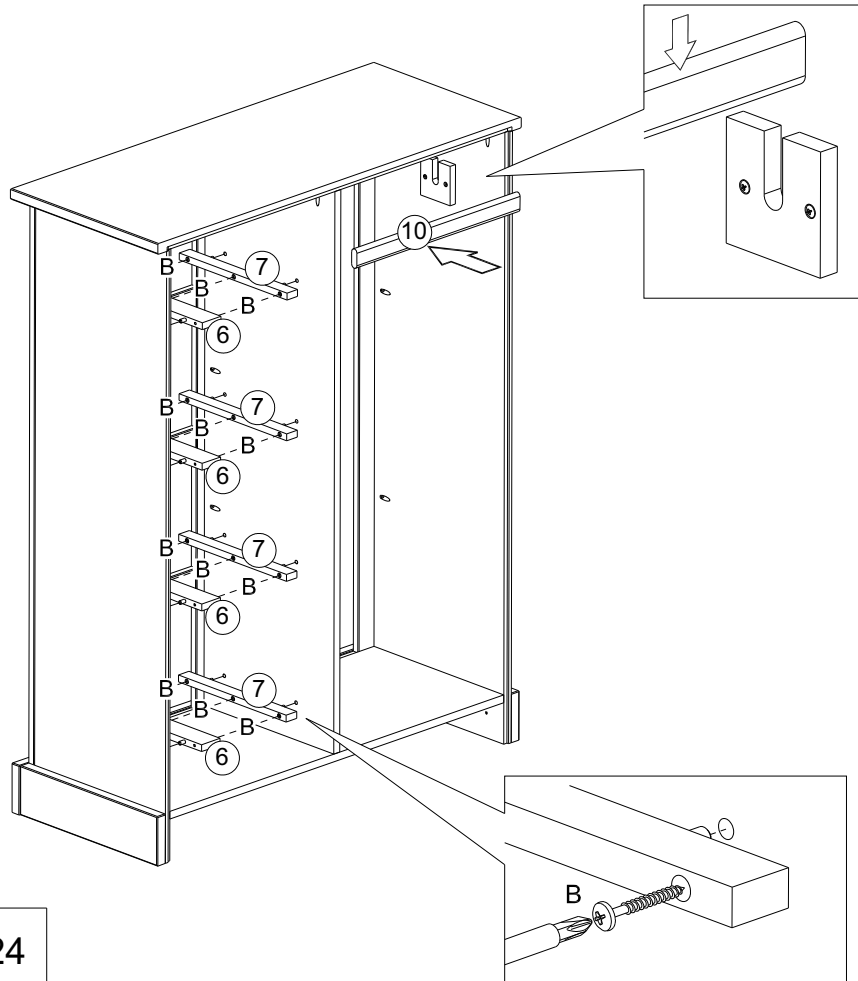
B	 Ø 3,5 x 30mm	09
---	---	----


07



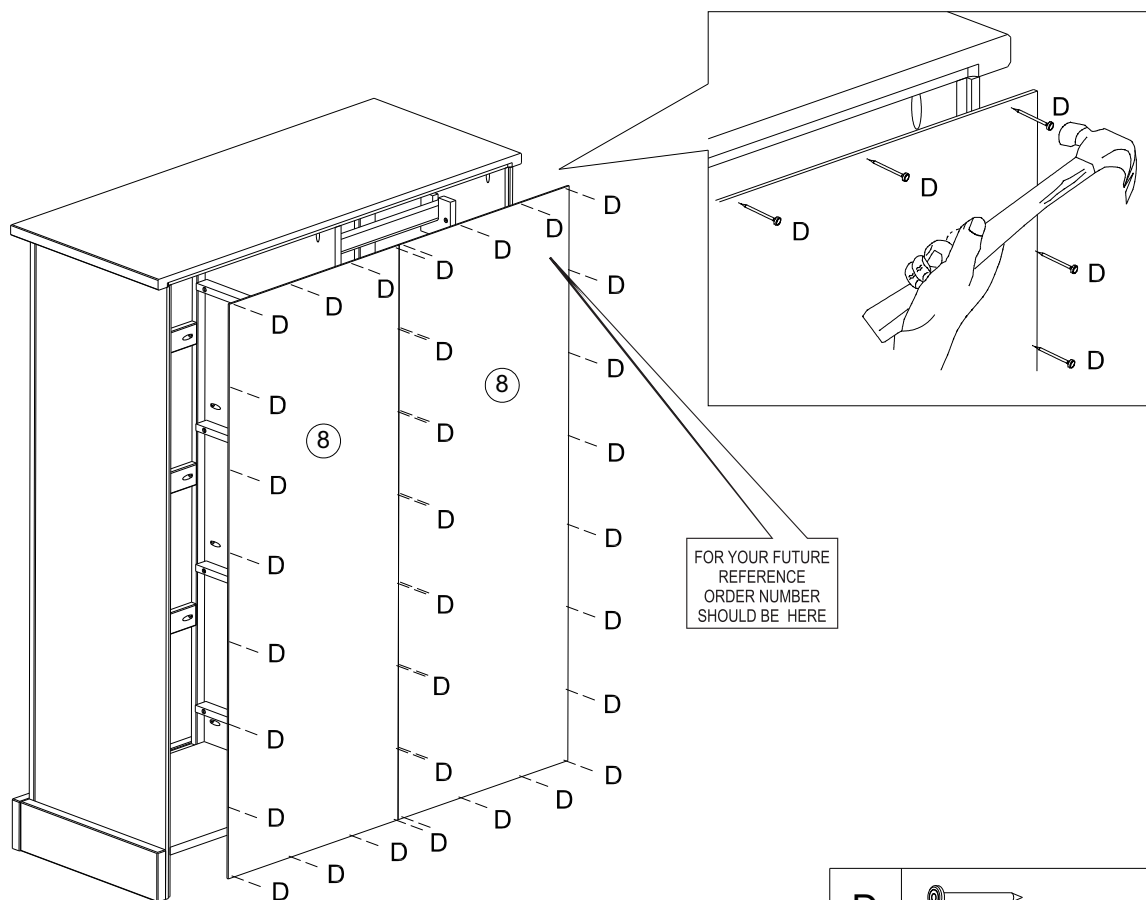
B	 Ø 3,5 x 30mm	04
---	---	----


08




B	 Ø 3,5 x 30mm	24
---	---	----

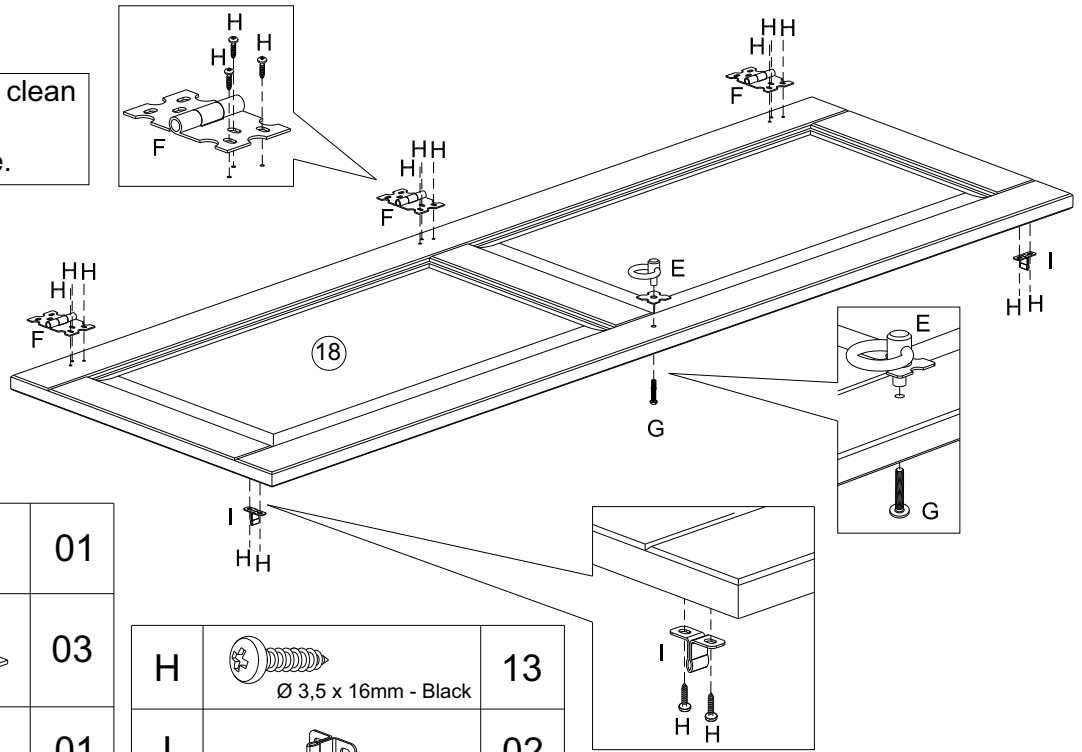
09


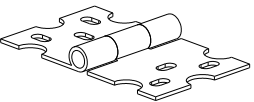
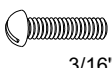


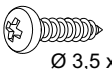

D	 10x10mm	40
---	--	----

10

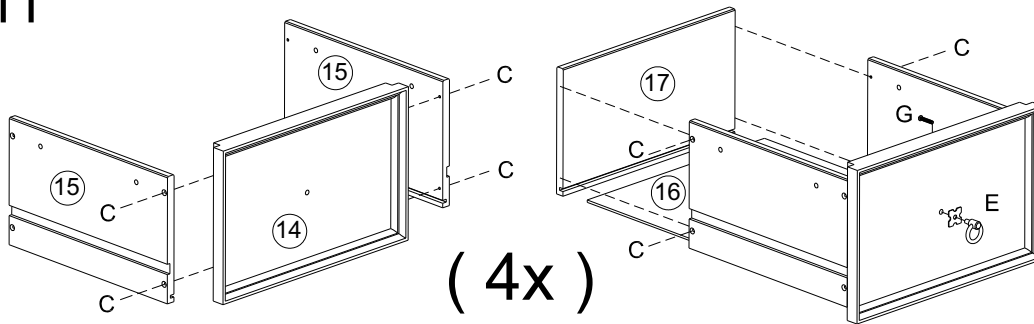
  
 Assemble on a clean soft surface to avoid damage.

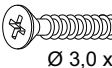

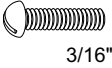


E		01
F		03
G	 3/16" x 5/8"	01

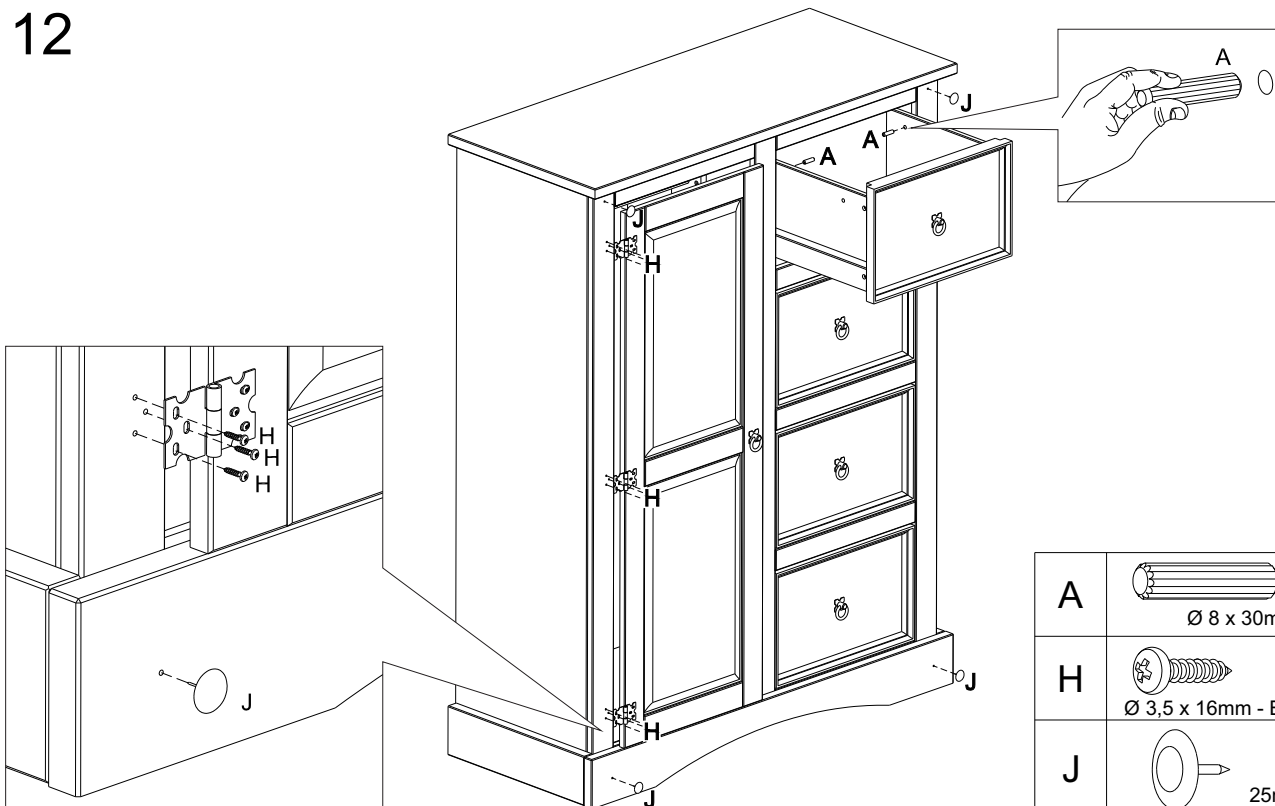
H	 Ø 3,5 x 16mm - Black	13
I		02

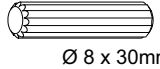

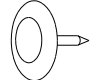
11



C	 Ø 3,0 x 30mm	32
E		04
G	 3/16" x 5/8"	04

12



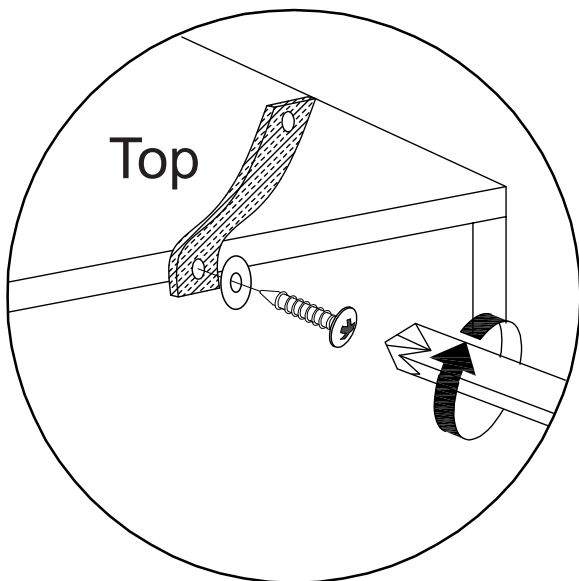
A	 Ø 8 x 30mm	08
H	 Ø 3,5 x 16mm - Black	09
J	 25mm	04

## WARNING

**Serious or fatal injuries can occur from furniture tipping over. To prevent the furniture from tipping over we recommend that it is permanently fixed to the wall.**

Wall fixings are not supplied with this product as different wall materials require different types of fixing devices.

Please make sure you use fixings suitable for the walls in your home.



### K - HARDWARE LIST



Strap (Anti-Tip Kit)  
(1x)



Wood Screw (Anti-Tip Kit)  
3,5 x 25mm (1x)



Washer (Anti-Tip Kit)  
(2x)

