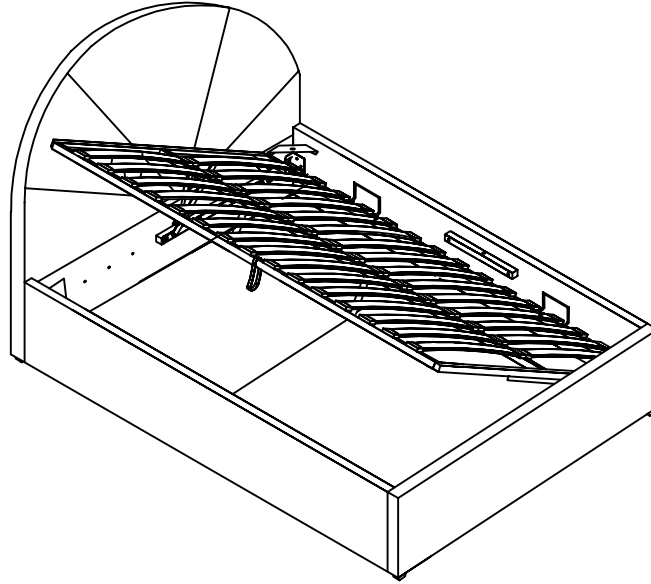


# ELDON 135CM & 150CM SIDE LIFT OTTOMAN DOME BED ASSEMBLY INSTRUCTIONS

Thank you for purchasing the Eldon 135cm & 150cm side lift ottoman dome bed  
Please read the instructions carefully to ensure safe operation product.



Size : 4FT6IN 1470MM X 2060MM X 1260MM  
5FT 1630MM X 2140MM X 1260MM

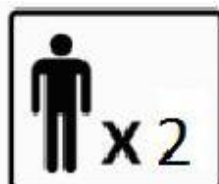
---

**PLEASE READ** this sheet prior to assembly to familiarise yourself with the various stages of construction.

Carefully open the pack supplied and check the contents against the parts and fittings check list. Do not destroy any of the packaging until you are certain that you have all the necessary parts for the assembly.

**CAUTION:** There are small components used in the construction of this unit. These loose items should be kept away from young children whilst assembling your unit to avoid the danger of choking hazards.

---



1.5 Hour  
Set Up

# ELDON 135CM & 150CM SIDE LIFT OTTOMAN DOME BED ASSEMBLY INSTRUCTIONS

**IMPORTANT - READ CAREFULLY - RETAIN THESE INSTRUCTIONS FOR  
FUTURE REFERENCE.**

## INFORMATION

- This product is intended for a maximum person's weight of 110kg per side. Do not exceed this weight
- Incorrect installation could lead to injury, take care following instructions.
- Due to the size of this product we recommend that it is assembled in the room intended for use
- When you are ready to start, make sure that you have the right tools, plenty of space and a clean, dry area for assembly
- Unwrap all packaging materials and place the components on top of the carton box or on a clean floor to prevent it from scratching
- Check the pack and make sure you have all the parts listed
- Ensure that this product is fully assembled and secured as illustrated before use
- Check all screws or bolts are tightened and inspect regularly.
- This product should only be used on firm, level ground.
- Dismantle for transportation.
- Only use recommended accessories.
- Tools are included.

## WARNINGS

- When moving the bed Always lift Carefully into position NEVER DRAG OR PULL YOUR BED OTHERWISE THIS COULD DAMAGE ESSENTIAL COMPONENTS.
- DO make sure the legs remain in contact with the ground.
- DO keep small parts out of reach of children.
- DO NOT use power tools to construct this product.
- DO NOT tighten screws until fully assembled.
- DO NOT over tighten screws or bolts.
- DO NOT use this product if parts are missing, damaged or worn. DO NOT stand on the product.

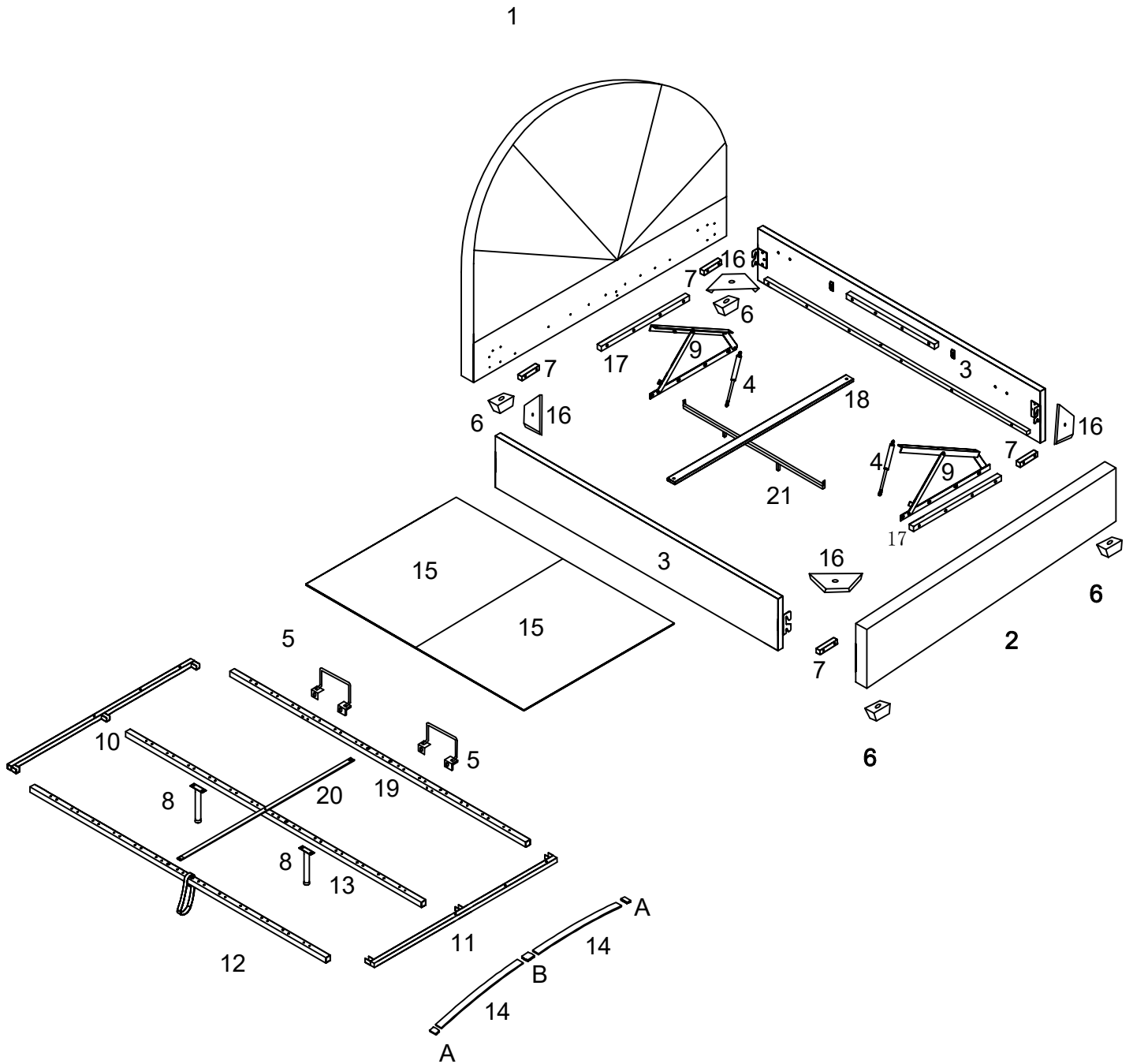
## CARE INFORMATION

- Never use scourers, abrasives or chemical cleaners
- To clean wipe with a sponge and warm soapy water. Do not use solvent based cleaners or detergents as they can bleach or damage the product

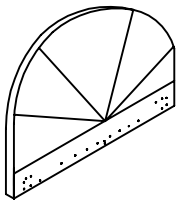
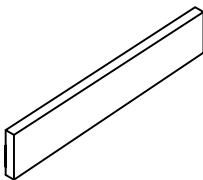
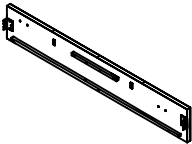
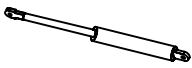
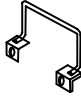
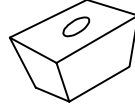

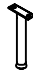

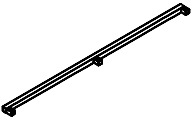
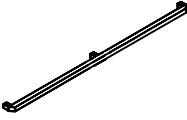
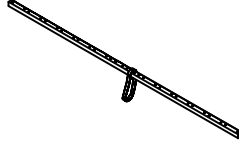
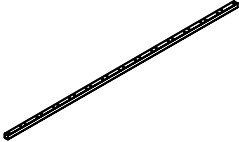

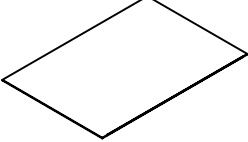

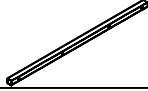
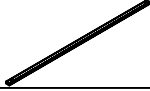
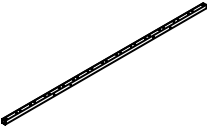
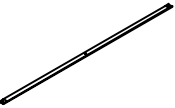
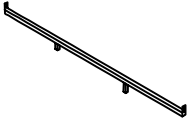
# ELDON 135CM & 150CM SIDE LIFT OTTOMAN DOME BED ASSEMBLY INSTRUCTIONS

## Parts

Please check the pack contents before assembling the product. If any components are missing, please contact your retailer. The fittings pack contains small items that should be kept away from small children.



# ELDON 135CM & 150CM SIDE LIFT OTTOMAN DOME BED ASSEMBLY INSTRUCTIONS

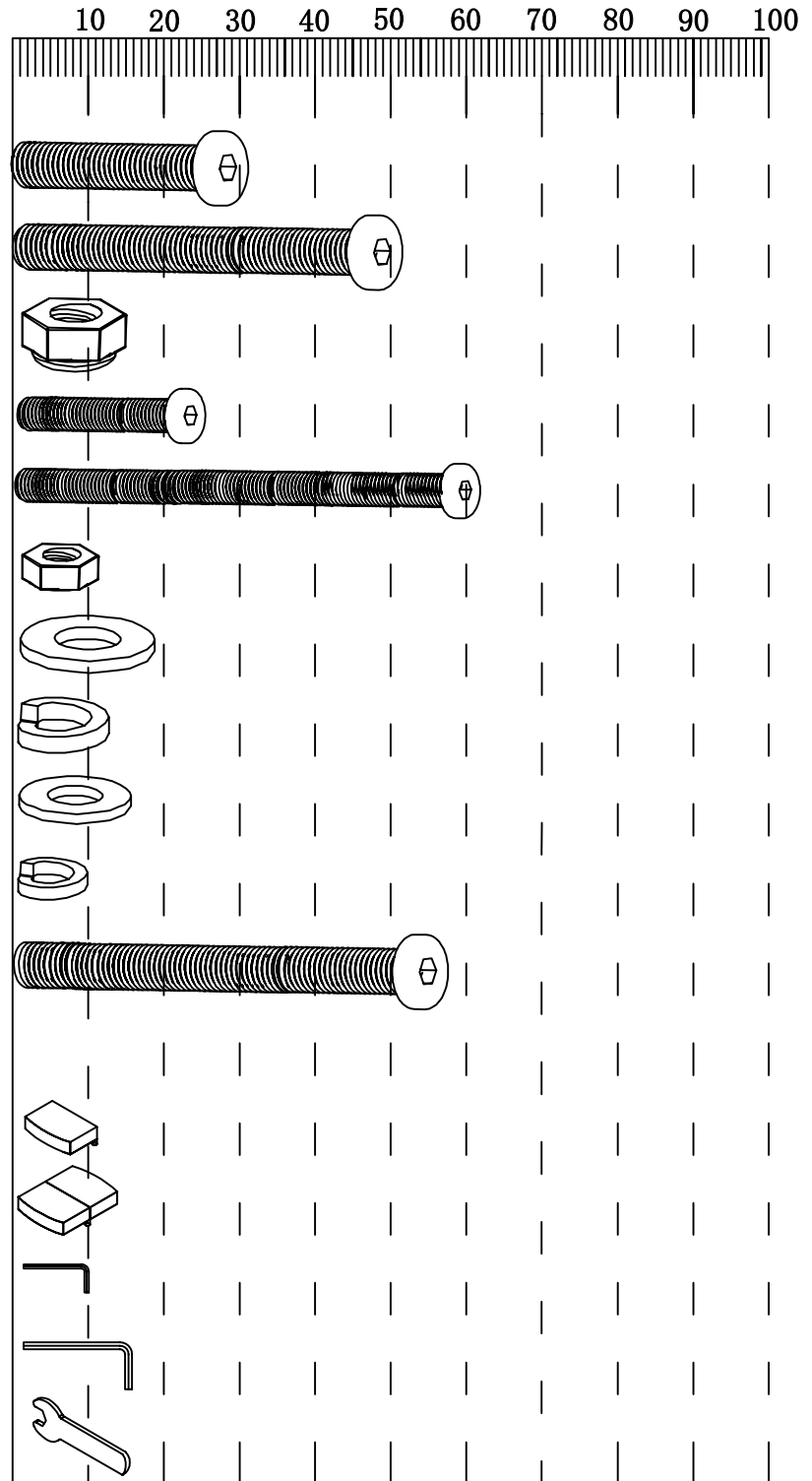
<p><b>1</b></p> 	<p><b>2</b></p> 	<p><b>3</b></p> 
<p>Description : HEADBOARD Qty:1 PC Carton NO: 1</p>	<p>Description : FOOTBOARD Qty:1 PC Carton NO: 2</p>	<p>Description:SIDE RAIL LEFT &amp; RIGHT PANEL Qty:2 PCS Carton NO: 2</p>
<p><b>4</b></p> 	<p><b>5</b></p> 	<p><b>6</b></p> 
<p>Description : PISTON Qty:2 PCS Carton NO :2</p>	<p>Description : MATTRESS SUPPORT Qty :2 PCS Carton NO :2</p>	<p>Description : WOODEN LEGS Qty:4 PCS Carton NO :2</p>
<p><b>7</b></p> 	<p><b>8</b></p> 	<p><b>9</b></p> 
<p>Description : STORAGE BASE SUPPORT Qty:4 PCS Carton NO :2</p>	<p>Description : LONG SUPPORT LEG Qty:2 PCS Carton NO :2</p>	<p>Description : HINGE LEFT &amp; RIGHT Qty:2 PCS Carton NO :2</p>
<p><b>10</b></p> 	<p><b>11</b></p> 	<p><b>12</b></p> 
<p>Description : LEFT RAIL Qty:1 PC Carton NO :2</p>	<p>Description : RIGHT RAIL Qty:1 PC Carton NO :2</p>	<p>Description : BACK RAIL Qty:1 PC Carton NO :2</p>
<p><b>13</b></p> 	<p><b>14</b></p> 	<p><b>15</b></p> 
<p>Description : CENTRE RAIL Qty:1 PC Carton NO :2</p>	<p>Description : WOODEN SLAT Qty: 4FT6IN:26PCS 5FT:28PCS Carton NO :1</p>	<p>Description : STORAGE PANEL Qty: 2PCS Carton NO :1</p>
<p><b>16</b></p> 	<p><b>17</b></p> 	<p><b>18</b></p> 
<p>Description : TRIANGLE PLATE Qty: 4PCS Carton NO :2</p>	<p>Description : HINGE'S SUPPORT RAILS Qty: 2PCS Carton NO :2</p>	<p>Description : BOTTOM CROSS METAL Qty: 1PC Carton NO :2</p>
<p><b>19</b></p> 	<p><b>20</b></p> 	<p><b>21</b></p> 
<p>Description : FRONT RAIL Qty: 1PC Carton NO :2</p>	<p>Description : BED'S CROSS RAIL Qty: 1PC Carton NO :2</p>	<p>Description : LOWER MIDDLE RAILS Qty: 1PC Carton NO :2</p>



# ELDON 135CM & 150CM SIDE LIFT OTTOMAN DOME BED ASSEMBLY INSTRUCTIONS

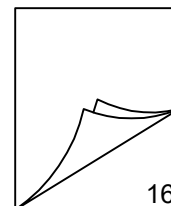
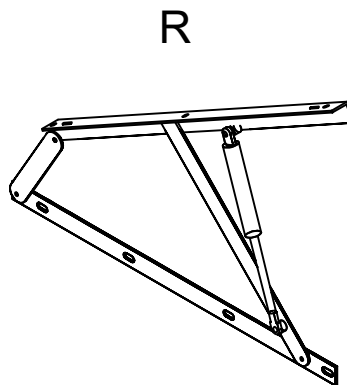
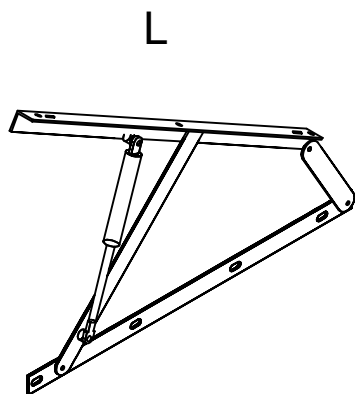
Fixings(to scale)

Ref	Dimensions	Qty
C	Bolt-5/16*25mm	20
D	Bolt-5/16*45mm	12
E	Anti Skid Nut	4
F	Bolt-1/4*20mm	27
G	Bolt-1/4*57mm	16
K	Nut-5/16	12
L	Washer*5/16	48
M	Spring Washer*5/16	48
N	Washer*1/4	43
O	Spring Washer*1/4	43
P	Bolt-5/16*50mm	4
(Not to scale)		
A	End Slat Cap 4ft6in: 26pcs,5ft:28pcs.	26/28
B	Centre Slat Cap 4ft6in: 13pcs,5ft:14pcs.	13/14
H	4MM Allen Key	1
I	5MM Allen Key	1
J	Spanner	1



**CAUTION:** There are many small components used in the construction of this product. Please keep these components away from young children whilst assembling this product. If you keep the fittings in a bowl during assembly you will be less likely to lose them!

# ELDON 135CM & 150CM SIDE LIFT OTTOMAN DOME BED ASSEMBLY INSTRUCTIONS



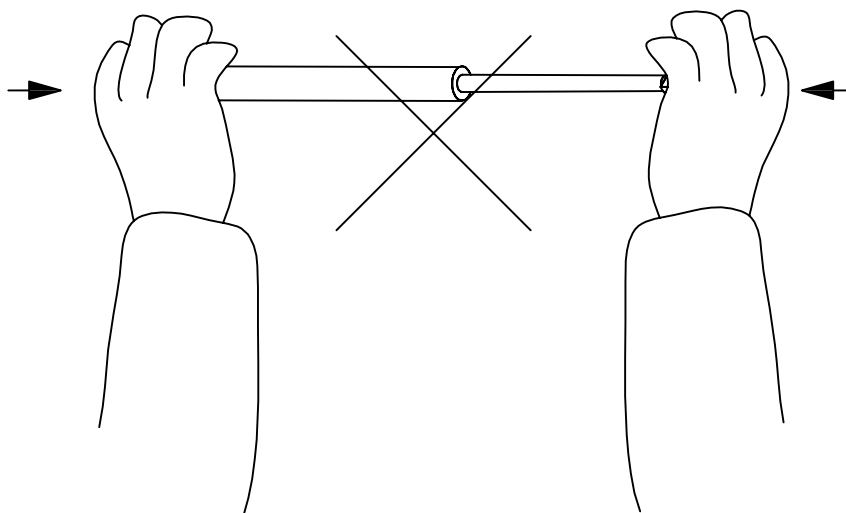
Turn to page 16 for fitting the hinges

## ! IMPORTANT PISTON INFORMATION

The pistons used in the construction of this product are extremely strong and cannot be operated by hand when not fitted to the ottoman hinges. All pistons are tested in the factory for correct pressure and operation before use.

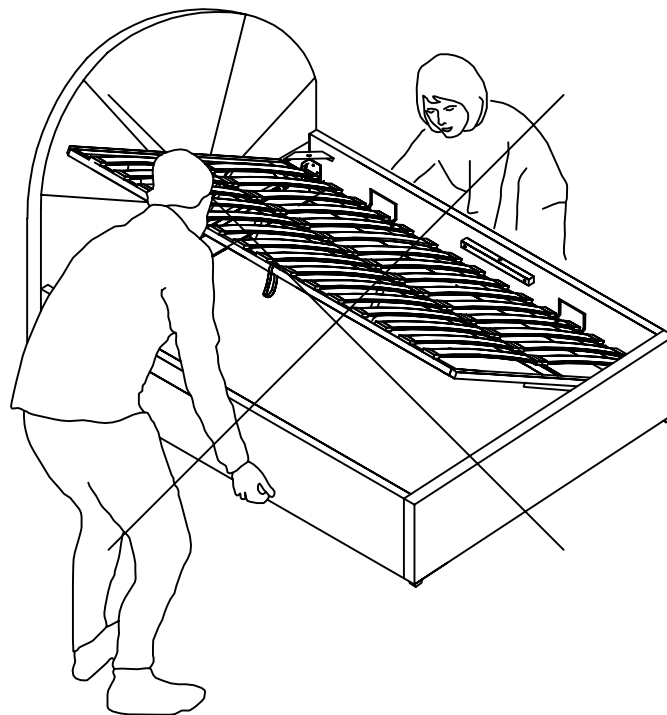
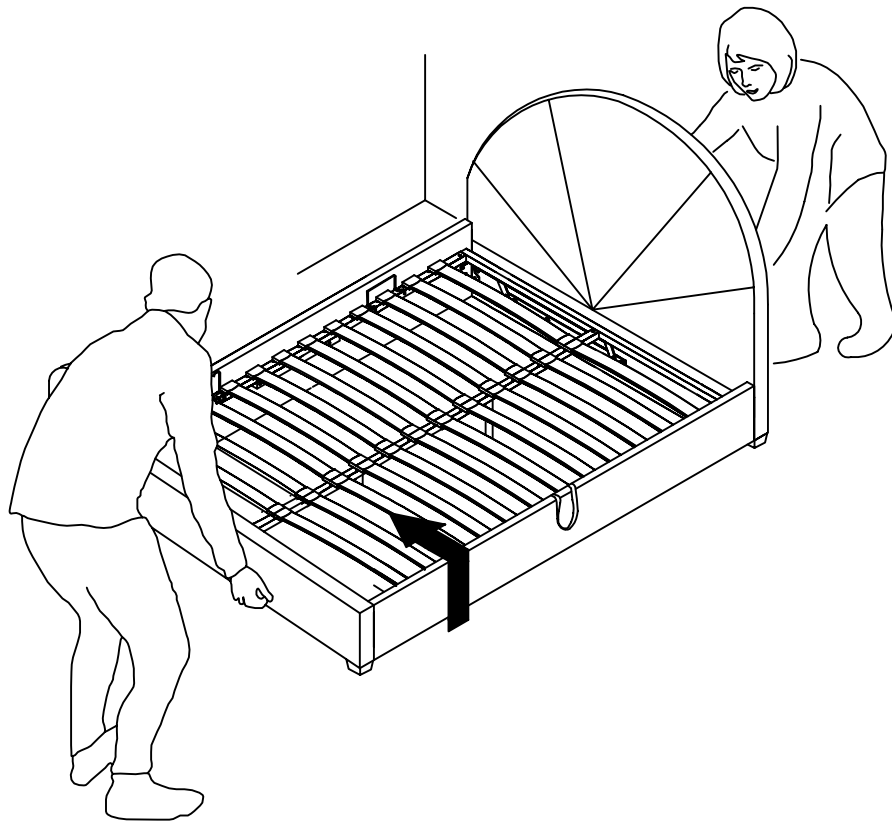
Initially it might appear that the pistons are very stiff when opening and closing the ottoman frame,  
**THIS IS NORMAL.**

After operating the ottoman a few times, the movement of the pistons and the opening and closing of the ottoman will become easier.



# ELDON 135CM & 150CM SIDE LIFT OTTOMAN DOME BED ASSEMBLY INSTRUCTIONS

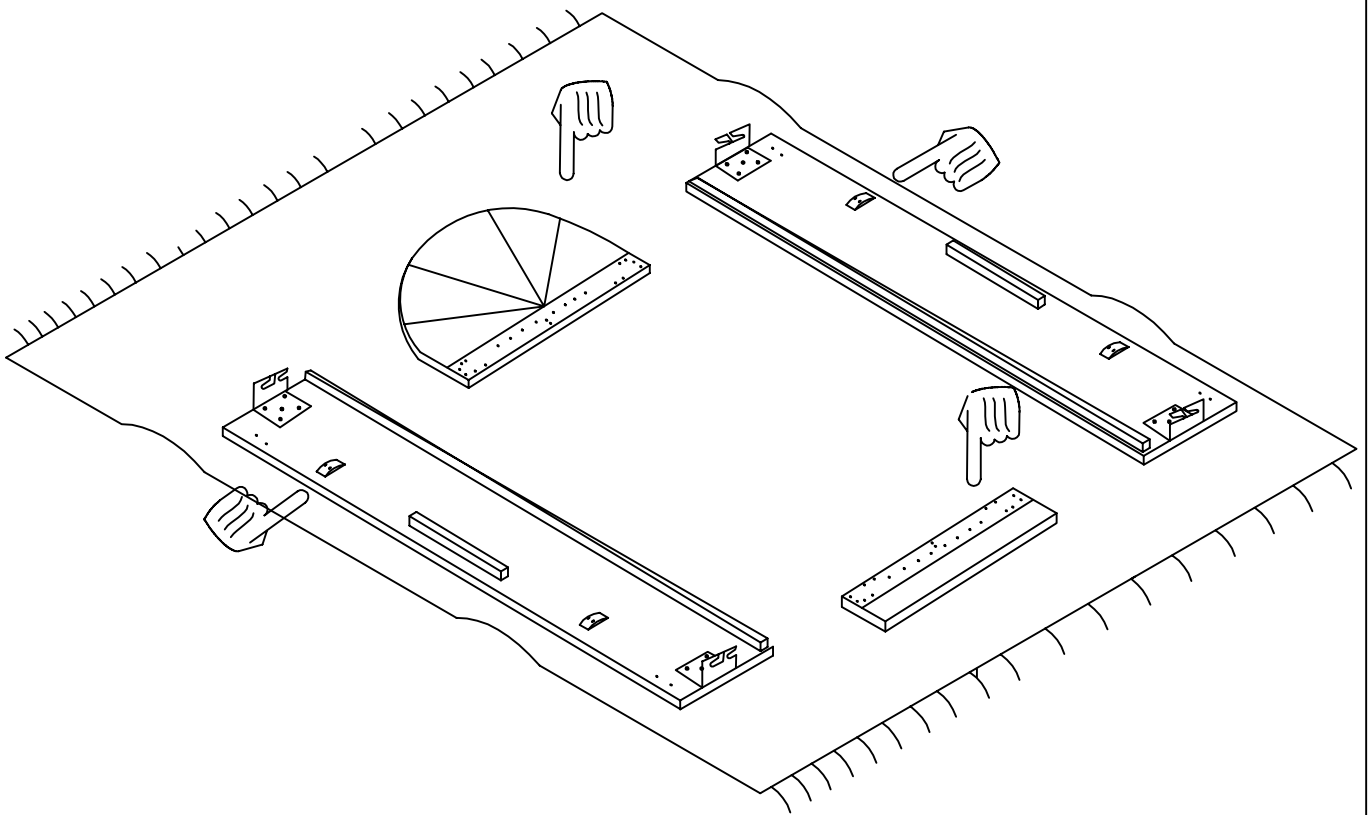
Do not attempt to move the bed whilst the frame is in the upright position.



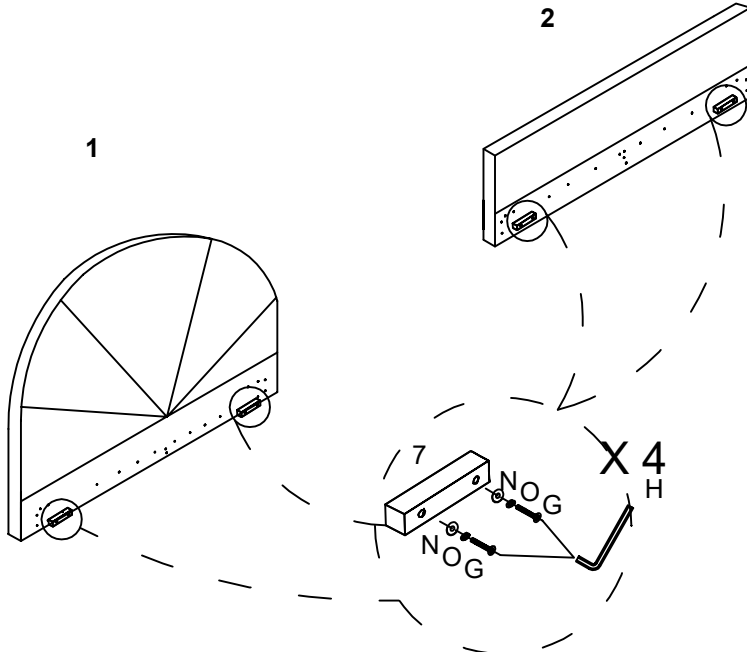
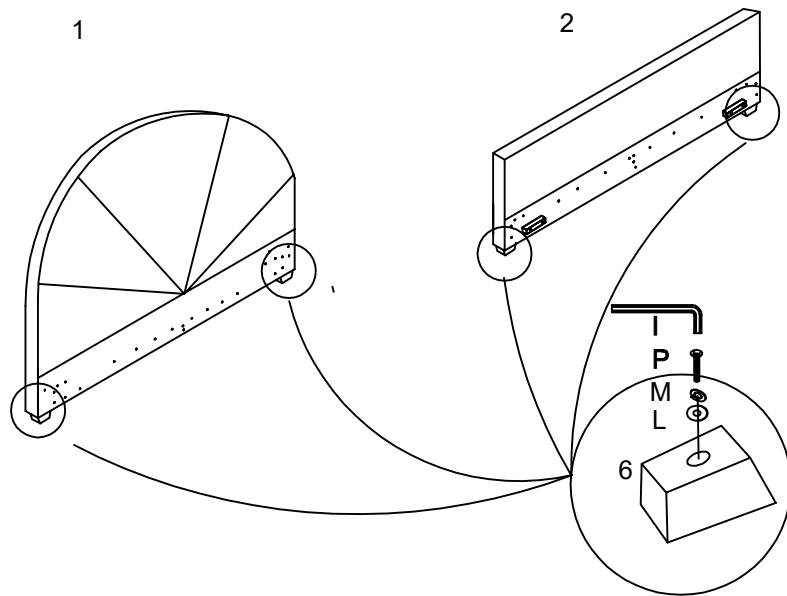
# ELDON 135CM & 150CM SIDE LIFT OTTOMAN DOME BED ASSEMBLY INSTRUCTIONS

## Layout Parts on Soft Surface

Lay out all 4 sides on a soft surface i.e.Rug,Carpet or Packaing Carton



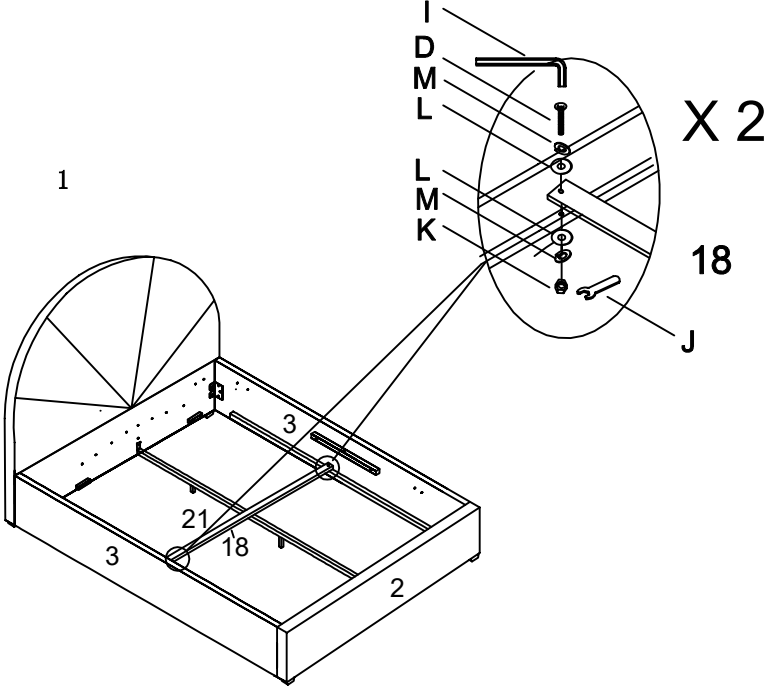
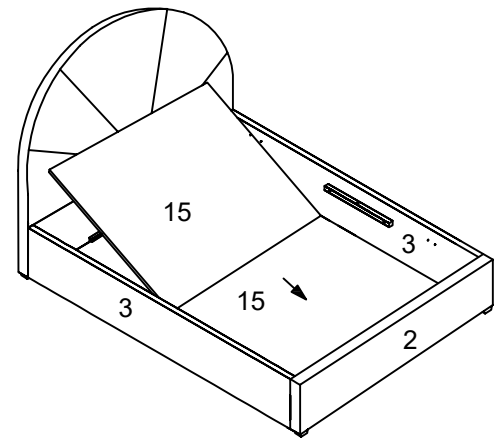
# ELDON 135CM & 150CM SIDE LIFT OTTOMAN DOME BED ASSEMBLY INSTRUCTIONS

STEP 1	Parts Required
 <p>Diagram for Step 1: Shows the headboard (1) and footboard (2) being attached to the storage base support (7). Hardware H (1), G (8), N (8), and O (8) are used for assembly.</p>	<p>1.HEADBOARD X 1                  2.FOOTBOARD X 1                  7.STORAGE BASE SUPPORT X 4                  H X 1                  G X 8                  N X 8                  O X 8</p>
STEP 2	Parts Required
 <p>Diagram for Step 2: Shows the headboard (1) and footboard (2) being attached to the leg (6). Hardware I, P, M, and L are used for assembly.</p>	<p>6.LEG X 4                  I X 1                  L X 4                  M X 4                  P X 4</p>

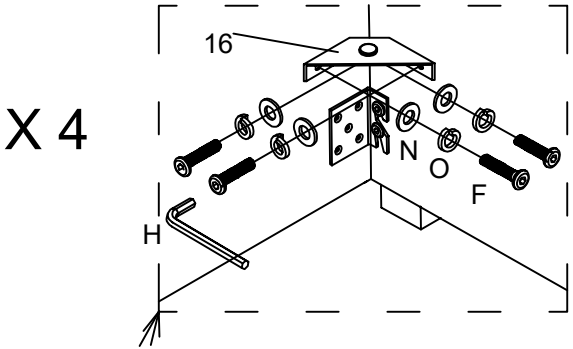
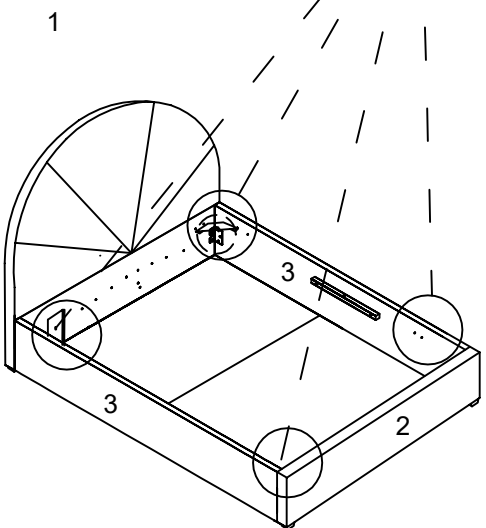
# ELDON 135CM & 150CM SIDE LIFT OTTOMAN DOME BED ASSEMBLY INSTRUCTIONS

STEP 3	Parts Required
<div style="text-align: center;"> </div> <p style="margin-top: 20px;">Make sure the bed is square. Note: THEN tighten all bolts 100% using allen key</p>	<ul style="list-style-type: none"> <li>I X 1</li> <li>L X 8</li> <li>M X 8</li> <li>C X 8</li> </ul>
STEP 4	Parts Required
<div style="text-align: center;"> </div>	<ul style="list-style-type: none"> <li>21.LOWER MIDDLE RAILS X 1</li> <li>H X 1</li> <li>F X 4</li> <li>N X 4</li> <li>O X 4</li> </ul>

# ELDON 135CM & 150CM SIDE LIFT OTTOMAN DOME BED ASSEMBLY INSTRUCTIONS

STEP 5	Parts Required
	<p>18. BOTTOM CROSS METAL X 1            I X 1            D X 2            M X 4            L X 4            K X 2            J X 1</p>
<p><b>STEP 6</b></p> <p>Be careful not to stand on the storage panels as this could cause damage to the panels.</p> 	<p>15. STORAGE PANEL X 2</p>

# ELDON 135CM & 150CM SIDE LIFT OTTOMAN DOME BED ASSEMBLY INSTRUCTIONS

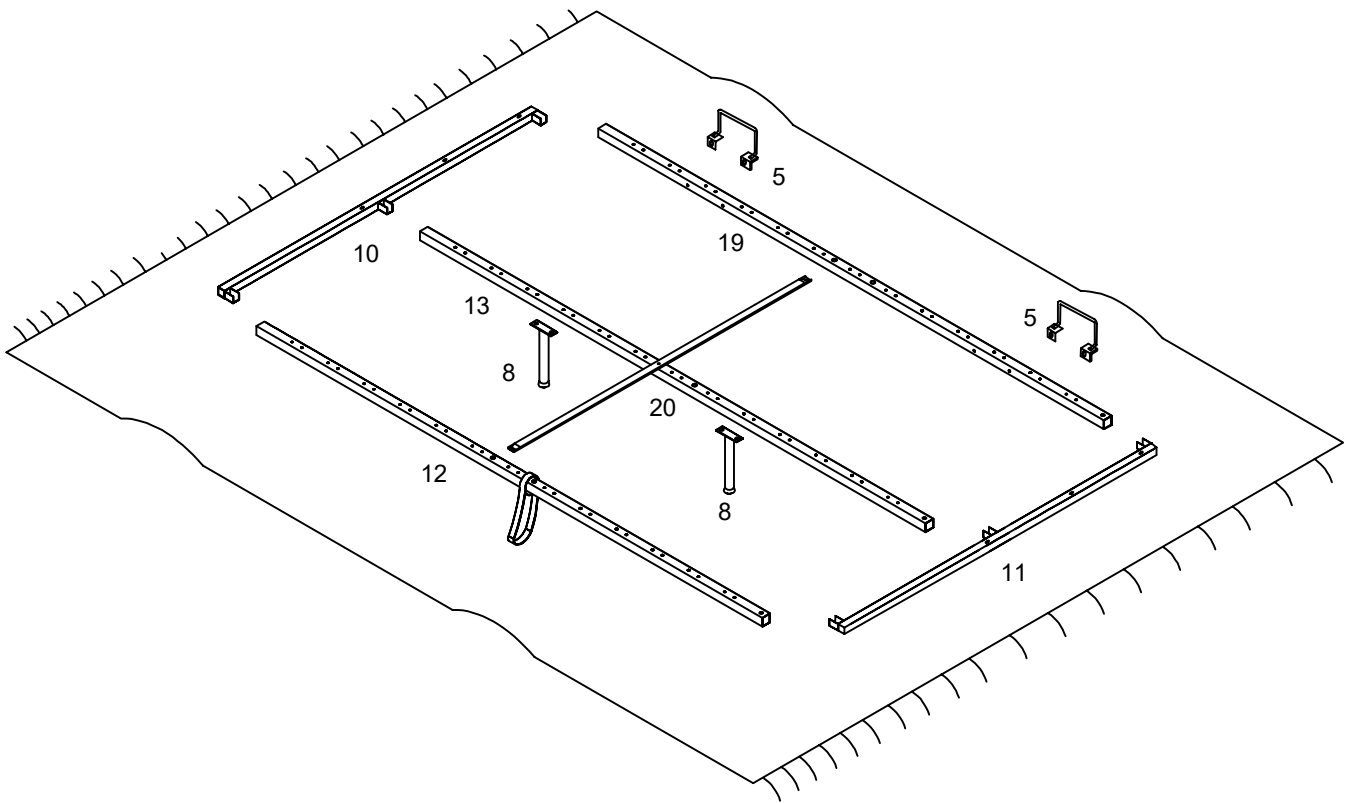
STEP 7	Parts Required
<div style="text-align: center; margin-bottom: 20px;">  <p style="font-size: 2em; margin: 0;">X 4</p> </div> <div style="text-align: center;">  </div>	<p>16. TRIANGLE PLATE X 4 H X 1 F X 16 N X 16 O X 16</p>



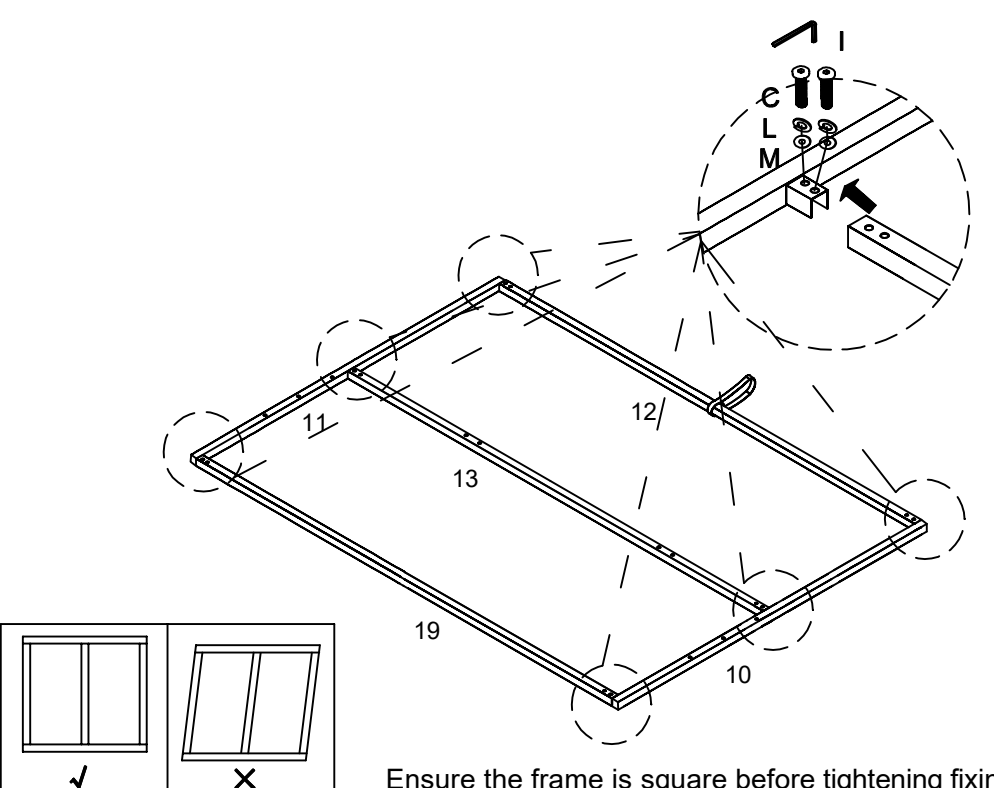
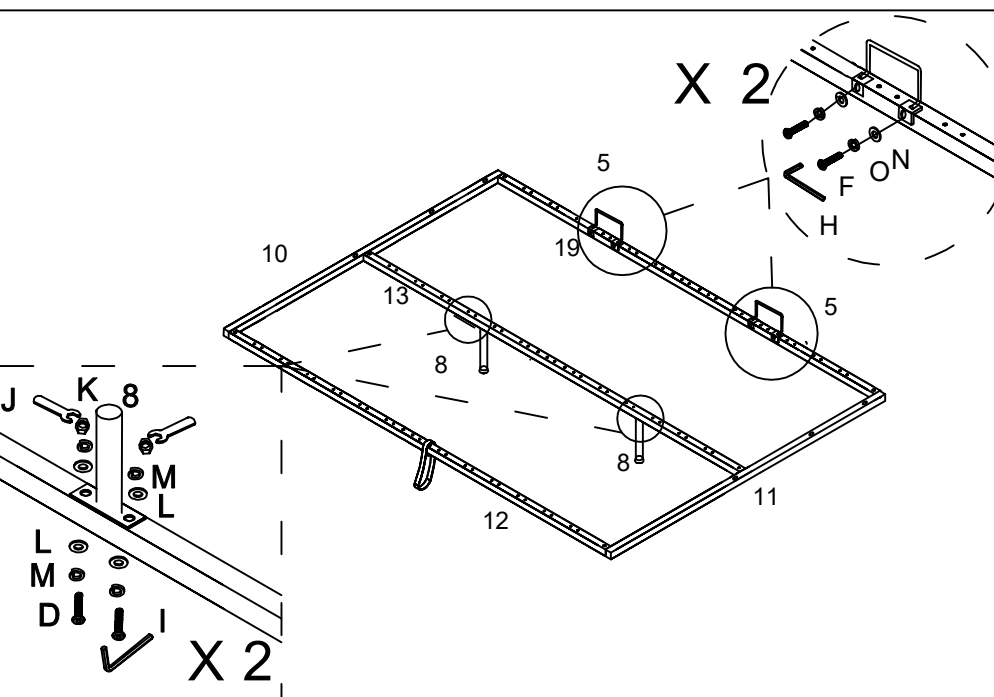
# ELDON 135CM & 150CM SIDE LIFT OTTOMAN DOME BED ASSEMBLY INSTRUCTIONS

## Layout of Metal Frame

**! IMPORTANT** - Please ensure the frame poles are fitted according to the illustration exactly. If assembled without following this illustration, the frame will not fit to the bed correctly.



# ELDON 135CM & 150CM SIDE LIFT OTTOMAN DOME BED ASSEMBLY INSTRUCTIONS

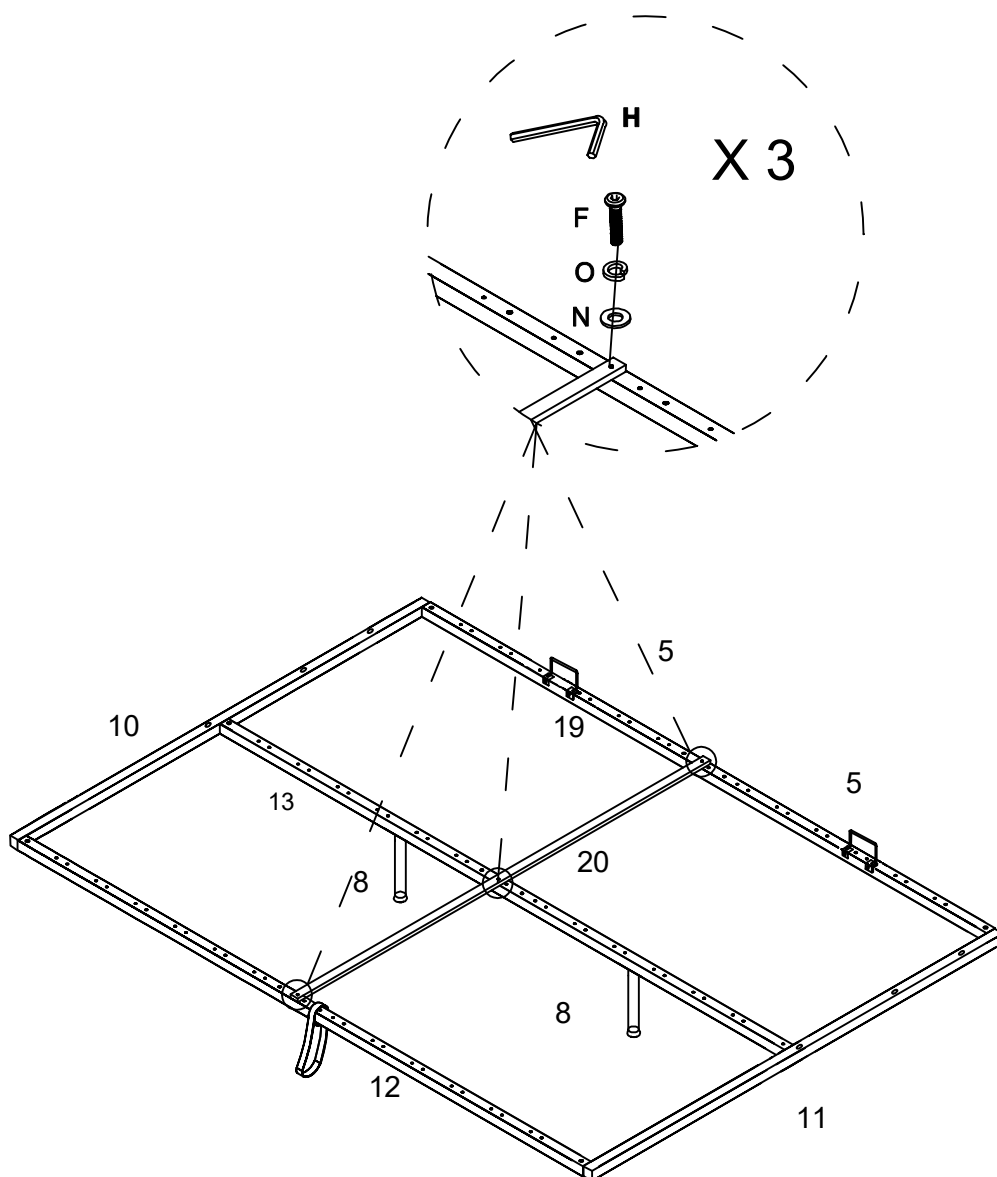
STEP 8	Parts Required
 <p style="text-align: center;">Ensure the frame is square before tightening fixings.</p>	<ul style="list-style-type: none"> <li>10.LEFT RAIL X 1</li> <li>11.RIGHT RAIL X 1</li> <li>12.BACK RAIL X 1</li> <li>13.CENTRE RAIL X 1</li> <li>19.FRONT RAIL X 1</li> <li>I X 1</li> <li>L X 12</li> <li>M X 12</li> <li>C X 12</li> </ul>
STEP 9	Parts Required
	<ul style="list-style-type: none"> <li>5.MATRESS SUPPORT X 2</li> <li>8.LONG SUPPORT LEG X 2</li> <li>H X 1</li> <li>F X 4</li> <li>N X 4</li> <li>O X 4</li> <li>I X 1</li> <li>L X 8</li> <li>M X 8</li> <li>D X 4</li> <li>K X 4</li> </ul>

# ELDON 135CM & 150CM SIDE LIFT OTTOMAN DOME BED ASSEMBLY INSTRUCTIONS

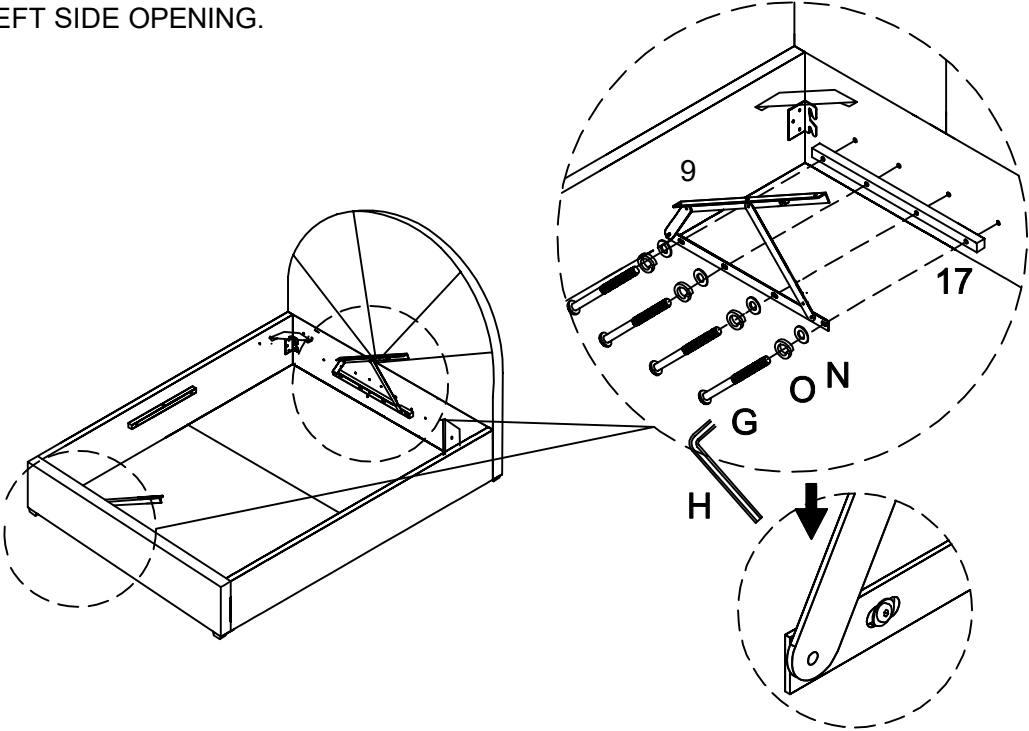
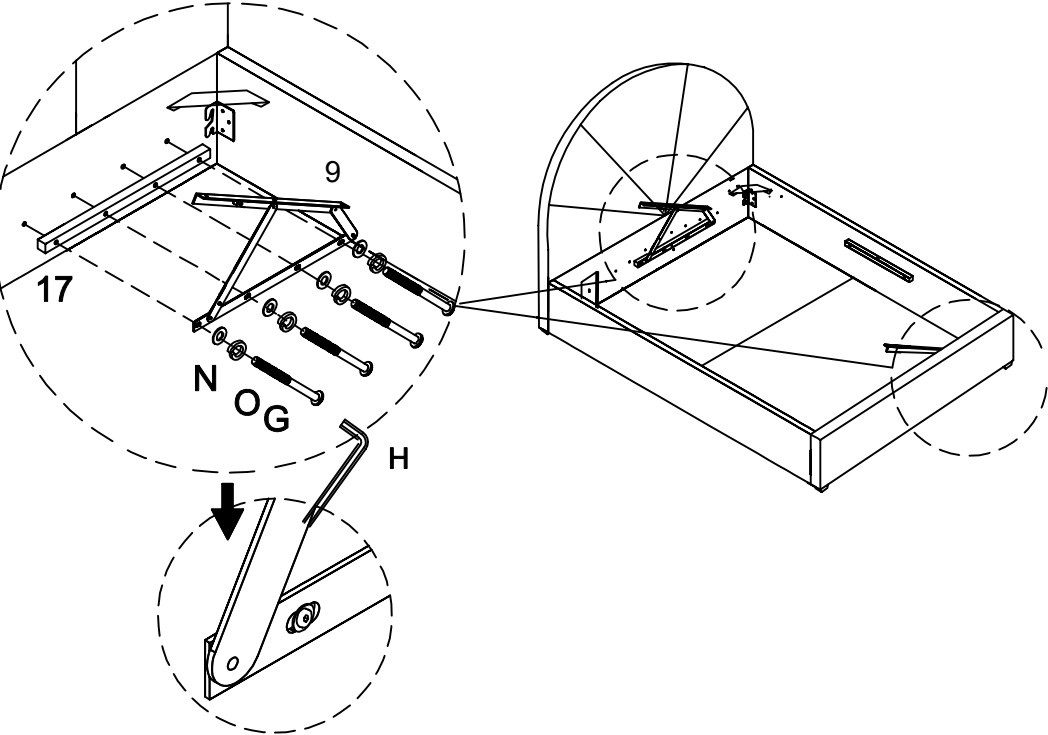
## STEP 10

## Parts Required

20.BED'S CROSS  
RAIL X 1  
H X 1  
F X 3  
N X 3  
O X 3



# ELDON 135CM & 150CM SIDE LIFT OTTOMAN DOME BED ASSEMBLY INSTRUCTIONS

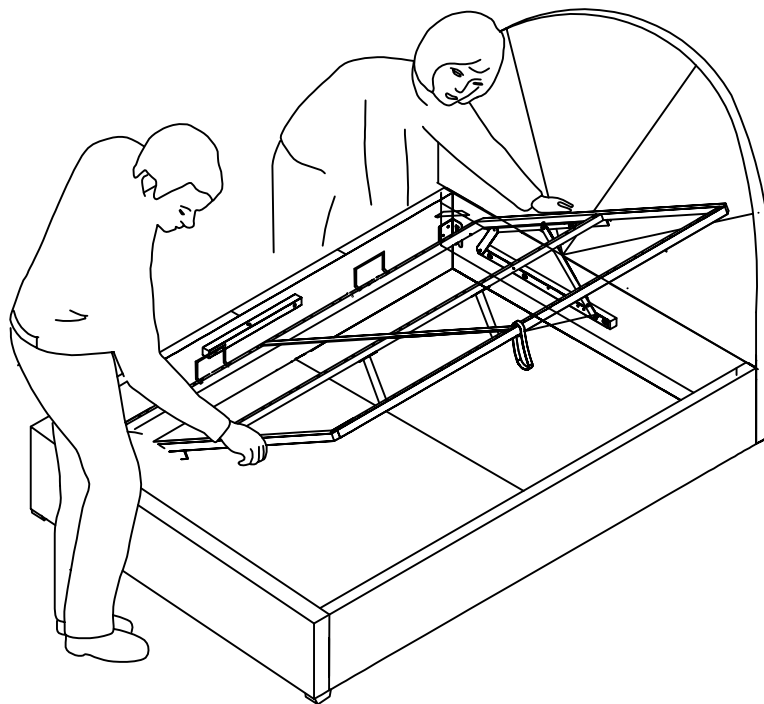
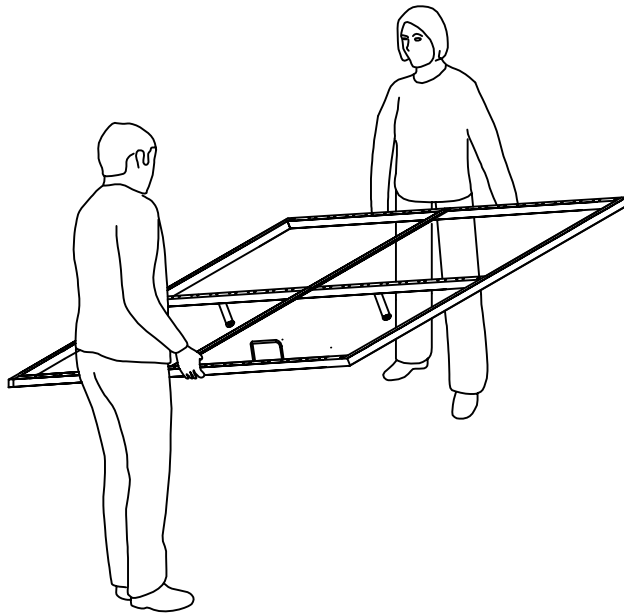
STEP 11	Parts Required
<p>LEFT SIDE OPENING.</p>  <p>OR RIGHT SIDE OPENING.</p>  <p style="text-align: center;">BOLTS SHOULD BE POSITIONED AT THE CENTRE OF THE LONG HOLES</p>	<p>9.HINGE LEFT &amp; RIGHT X 2 17.HINGE'S SUPPORT RAILS X 2 H X 1 G X 8 O X 8 N X 8</p>

# ELDON 135CM & 150CM SIDE LIFT OTTOMAN DOME BED ASSEMBLY INSTRUCTIONS

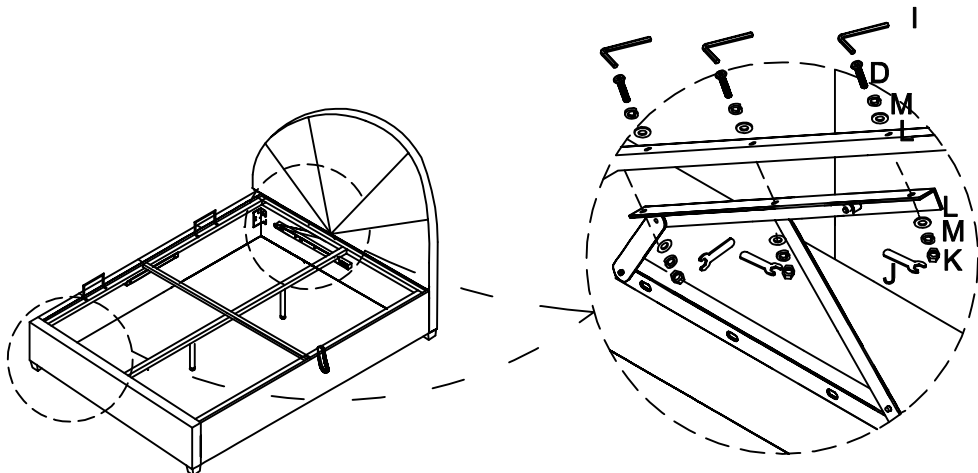
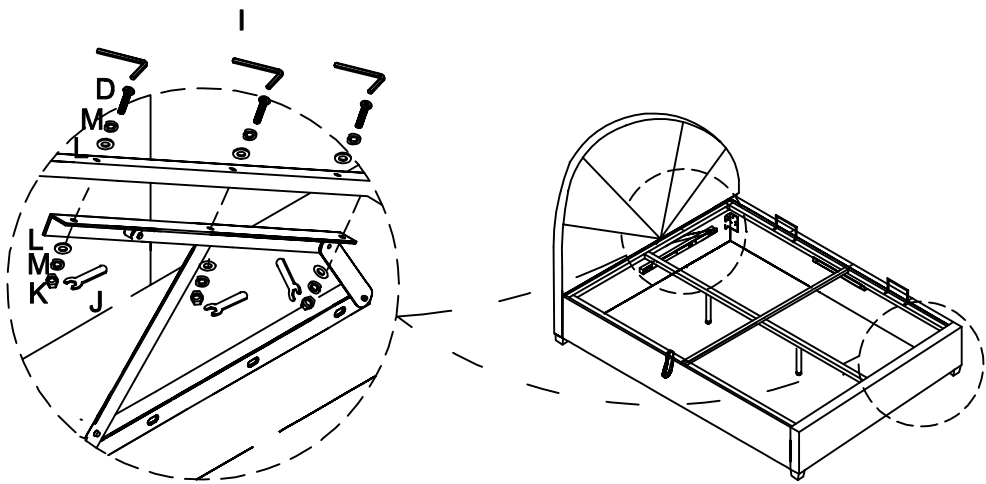
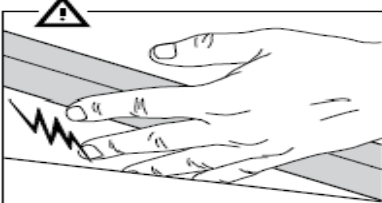
## STEP 12

Parts  
Required

People are required to fit the frame safety.



# ELDON 135CM & 150CM SIDE LIFT OTTOMAN DOME BED ASSEMBLY INSTRUCTIONS

STEP 13	Parts Required
<p>Left Side Opening</p>  <p>OR Right Side Opening</p>  <p style="text-align: center;"><b>Hand entrapment</b></p> 	<ul style="list-style-type: none"> <li>I X 1</li> <li>L X 12</li> <li>M X 12</li> <li>D X 6</li> <li>J X 1</li> <li>K X 6</li> </ul>

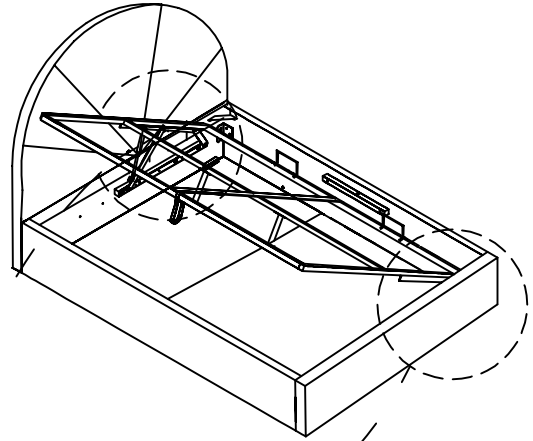
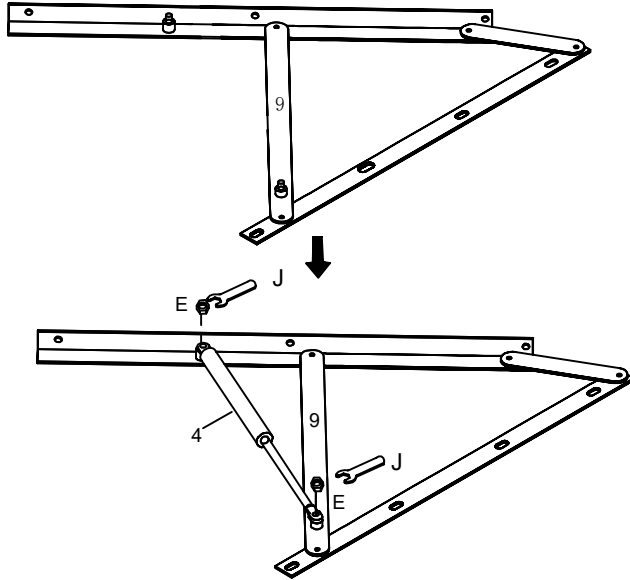
# ELDON 135CM & 150CM SIDE LIFT OTTOMAN DOME BED ASSEMBLY INSTRUCTIONS

## STEP 14

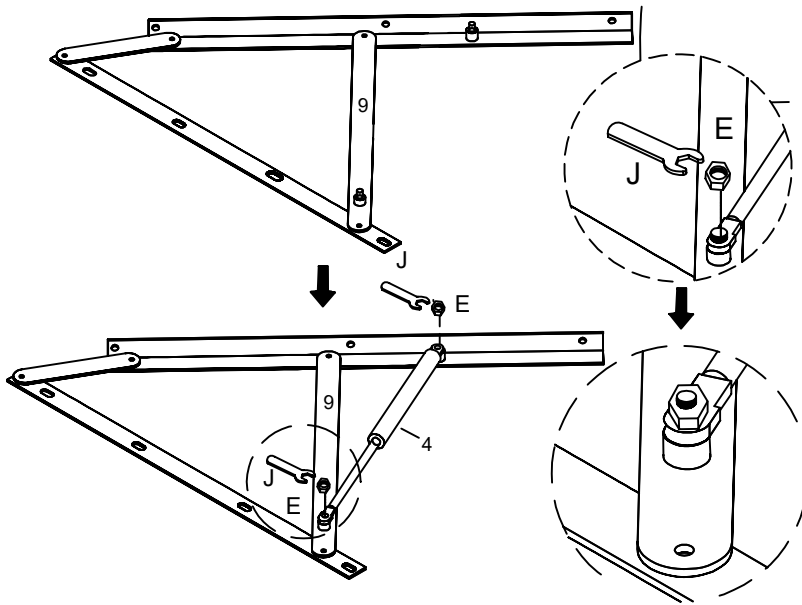
### Parts Required

4.PISTON X 2  
9.HINGE LEFT &  
RIGHT X 2  
J X 1  
E X 4

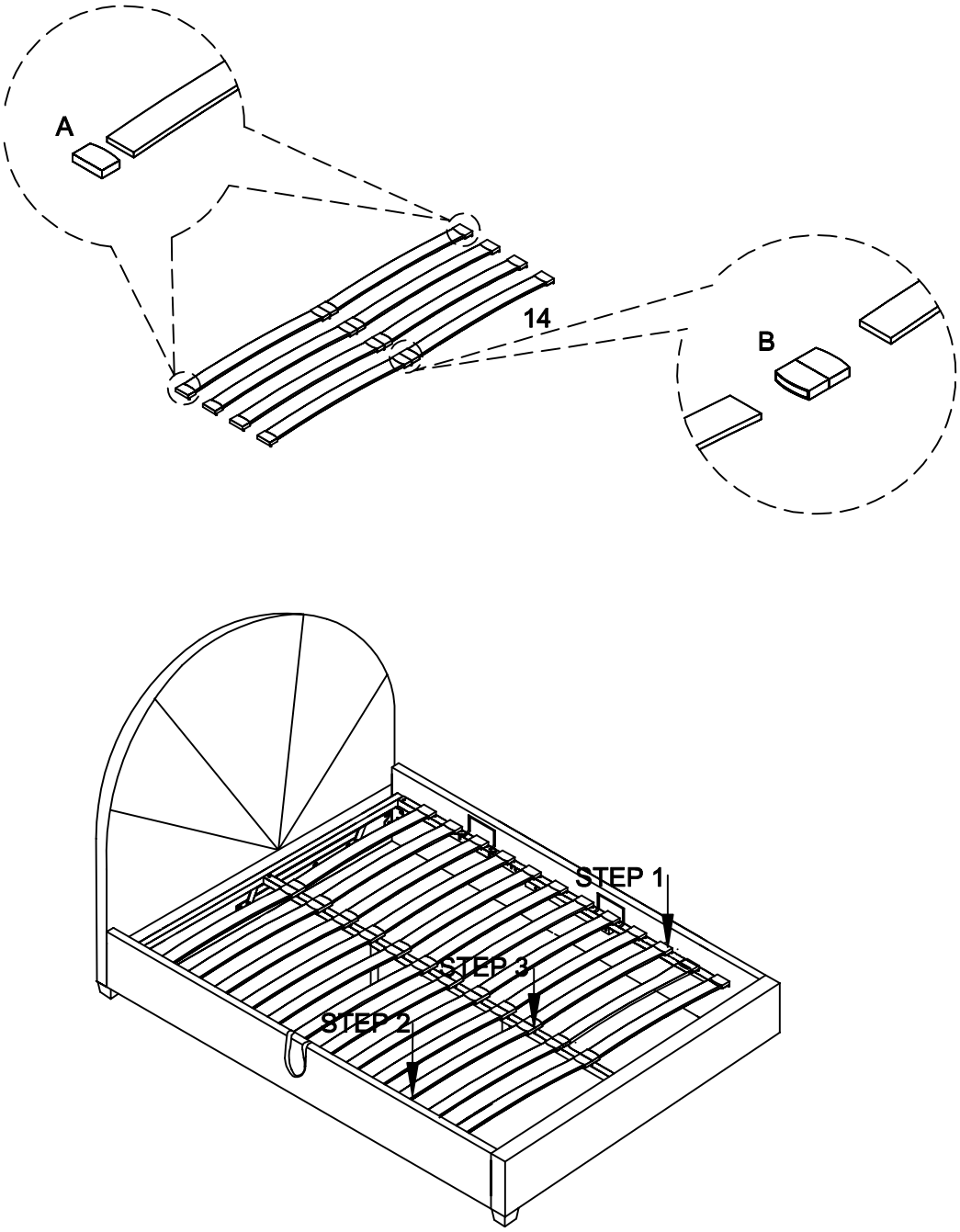
LEFT



RIGHT



# ELDON 135CM & 150CM SIDE LIFT OTTOMAN DOME BED ASSEMBLY INSTRUCTIONS

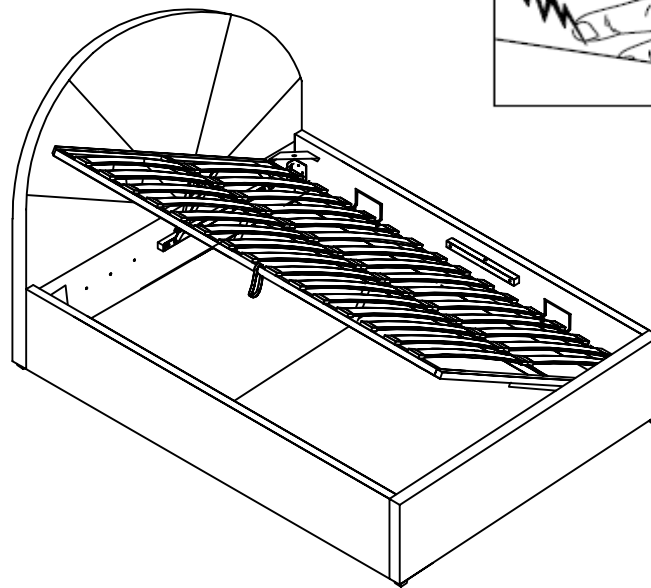
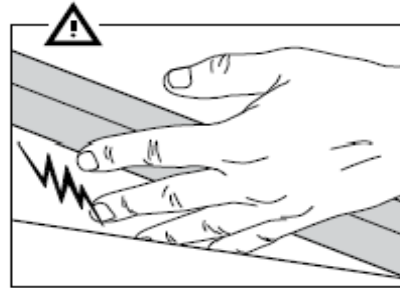
STEP 15	Parts Required
 <p>The diagram illustrates the installation of 14 wooden slats into the bed frame. Callout A shows a slat being inserted into a support. Callout B shows a slat being inserted into a different support. Below this is a perspective view of the bed frame with the slats installed, with arrows pointing to 'STEP 1', 'STEP 2', and 'STEP 3'.</p>	<p>14. WOODEN SLAT            4FT6IN: X 26            5FT: X 28            A            4FT6IN: X 26            5FT: X 28            B            4FT6IN: X 13            5FT: X 14</p>



# ELDON 135CM & 150CM SIDE LIFT OTTOMAN DOME BED ASSEMBLY INSTRUCTIONS

Your bed frame is now completely assembled but the ottoman will not operate correctly unless a mattress is placed on the slat frame and will not stay shut unless the mattress remains in position. To position the mattress on the slat frame, simply place the mattress on top of the slat frame whilst it is in the up (open) position.

Hand entrapment



Lift with the strap and close as per guidance on page 22. The strap should always be accessible. Take care not to lean over the bed when lifting, if the mattress is thin and light, the frame may rise quickly. The speed of closing will also depend on the weight of the mattress so always keep fingers well clear of the metal frame.

PLEASE NOTE - It takes a lot of force to make the initial movement of the ottoman - THIS IS A DESIGN FEATURE OF THE PRODUCT SO THAT IT DOES NOT FALL SHUT - and the nearer to being closed the ottoman is , the easier it is to move. When the ottoman is almost shut, it will close completely under its own weight.

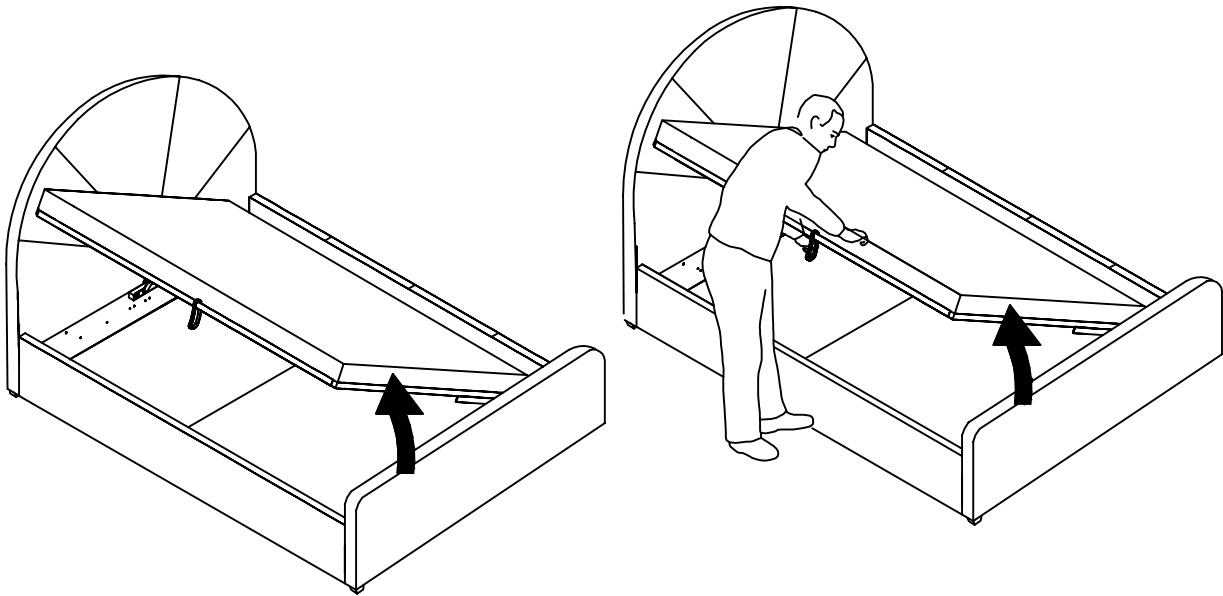
When lowering the slat unit for the first time, take care to make sure it does not rub unevenly on the inside face of the Side rail. If it does, the bed has been assembled slightly out of square. This can be rectified by moving the Footboard of the bed slightly to the left or right whilst leaving the headboard of the bed frame stationary.

# ELDON 135CM & 150CM SIDE LIFT OTTOMAN DOME BED ASSEMBLY INSTRUCTIONS

## Hints and Tips

To close the ottoman, always use 2 hands at arm's length and only where illustrated on this product. You must ensure the mattress is on the bed frame before lifting the mechanism. Failure to do so may result in injury.

To ensure your safety please do not stand too close in case the frame bounces up. The weight of the mattress loaded on the frame will keep the frame in a lower position until it is pulled upwards by the user. use the lifting strap to open the ottoman.



If removing the mattress, make sure the frame is secured so it does not flip open. When lifting the bed frame, remove pillows and covers.

**PLEASE NOTE** - It takes a lot of force to make the initial movement of the ottoman - THIS IS A DESIGN FEATURE OF THE PRODUCT SO THAT IT DOES NOT FALL SHUT - and the nearer to being closed the ottoman is, the easier it is to move. When the ottoman is almost shut, keep fingers and hands clear and it will close completely under its own weight.

When lowering the slat unit for the first time, take care to make sure it does not rub unevenly on the inside face of the Side Rail. If it does, the bed has been assembled slightly out of square. This can be rectified by moving the Footboard of the bed slightly to the left or right whilst leaving the hardboard of the bed frame stationary.

### Tip for difficulty with compression:

If you are experiencing difficulty with the initial compression try fitting one piston at a time (following the Assembly Instructions) then press down on the side of the frame with the piston fitted - this acts like a big lever (The weight of the mattress can be used to supplement the load exerted). Effectively you are doubling the amount of force applied, because you have halved the resistance offered by the pistons. It can take slightly more effort than you might feel comfortable applying to the bed frame at first.

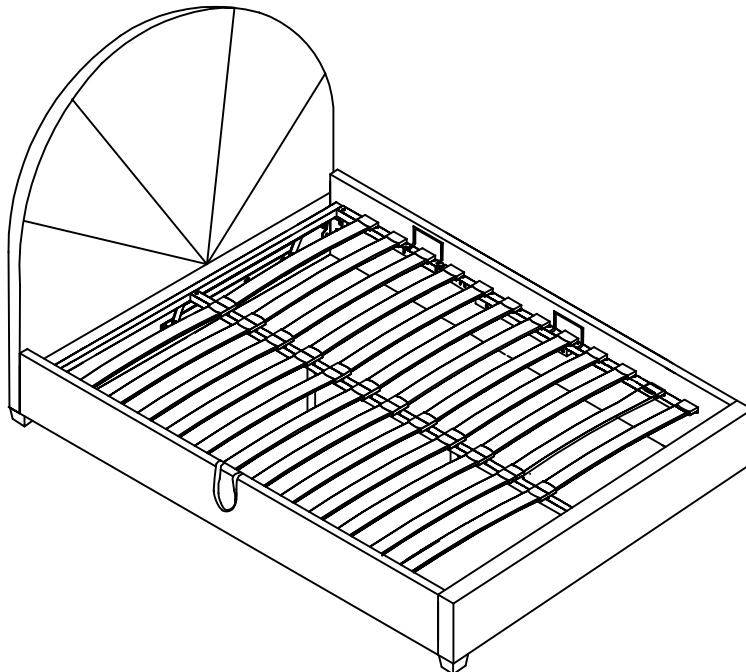
# ELDON 135CM & 150CM SIDE LIFT OTTOMAN DOME BED ASSEMBLY INSTRUCTIONS

## Complete Assembly

Your bed frame is now completely assembled.

Periodically check to ensure that the components are in their proper position, free from damage. Also, make sure the connectors are tight and secure.

WHEN STORING ITEMS IN THE OTTOMAN ENSURE THAT THE CENTER RAIL SUPPORT LEGS ARE FREE AND TOTALLY CLEAR FROM OBSTRUCTION WHEN CLOSING BEDSTEAD THE OTHERWISE DAMAGE CAN OCCUR TO THE LEGS AND FRAME.



keep instructions for future reference

