

RILEY SMALL DINING SET



**IMPORTANT
FOR DOMESTIC USE ONLY
PLEASE READ BEFORE YOU CONTINUE FURTHER**

THE PRODUCT YOU HAVE PURCHASED WILL GIVE YOU MANY YEARS OF SERVICE IF YOU FOLLOW THE GUIDELINES FOR ITS SAFE ASSEMBLY AND PERIODIC MAINTENANCE AND CLEANING.

ASSEMBLE ON A SOFT CLEAN SURFACE.

DO NOT USE ANY TOOLS OTHER THAN THOSE SHOWN.

ANY SPANNERS OR ALLEN KEYS REQUIRED ARE INCLUDED WITH THE FITTINGS KIT.

DO NOT FOR ANY REASON USE A POWER TOOL TO ASSEMBLE THIS PRODUCT. ITS USE WILL INVALIDATE ANY CLAIM YOU MAY HAVE AND COULD MAKE THIS PRODUCT UNSAFE.

DEPENDING ON THE AMOUNT OF USE THIS PRODUCT RECEIVES IT MAY BE NECESSARY TO TIGHTEN UP THE FIXINGS FROM TIME TO TIME. THIS IS COMPLETELY NORMAL FOR ANY FLAT PACK FURNITURE.
DO NOT OVERTIGHTEN FIXINGS.

FOR CLEANING, YOU MAY USE A DAMP CLOTH (NOT WET).

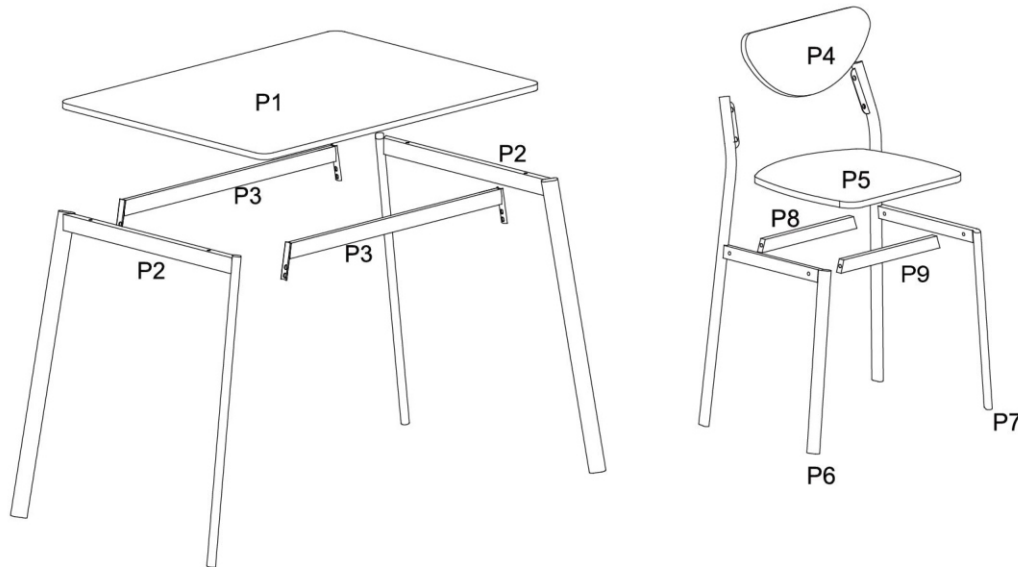
THE SURFACE OF THIS ITEM IS NOT HEAT RESISTANT. ALWAYS USE A PLACE MAT UNDER HOT OR COLD ITEMS TO PREVENT MARKING.

19x26.5cm

SEC/SH/04/20/BT1

PARTS






PLEASE CHECK THAT YOU HAVE ALL THE PARTS LISTED BEFORE YOU START ASSEMBLING. IF YOU DO FIND THAT SOMETHING IS MISSING, DO NOT CONTINUE ASSEMBLY. PLEASE CONTACT YOUR SUPPLIER IMMEDIATELY.



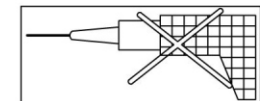
PARTS LIST

P1	TABLE TOP	1PC
P2	TABLE LEGS	2PCS
P3	TABLE CROSSBAR	2PCS
P4	BACKREST	2PCS
P5	SEATPAD	2PCS
P6	CHAIR LEG (LEFT)	2PCS
P7	CHAIR LEG (RIGHT)	2PCS
P8	CHAIR CROSSBAR SHORT	2PCS
P9	CHAIR CROSSBAR LONG	2PCS

HARDWARE LIST



1		Ø6×12mm ALLEN BOLT	16PCS
2		Ø6×35mm ALLEN BOLT	8PCS
3		Ø6×48mm ALLEN BOLT	4PCS
4		Ø6×40mm ALLEN BOLT	8PCS
5		ALLEN KEY	1PC

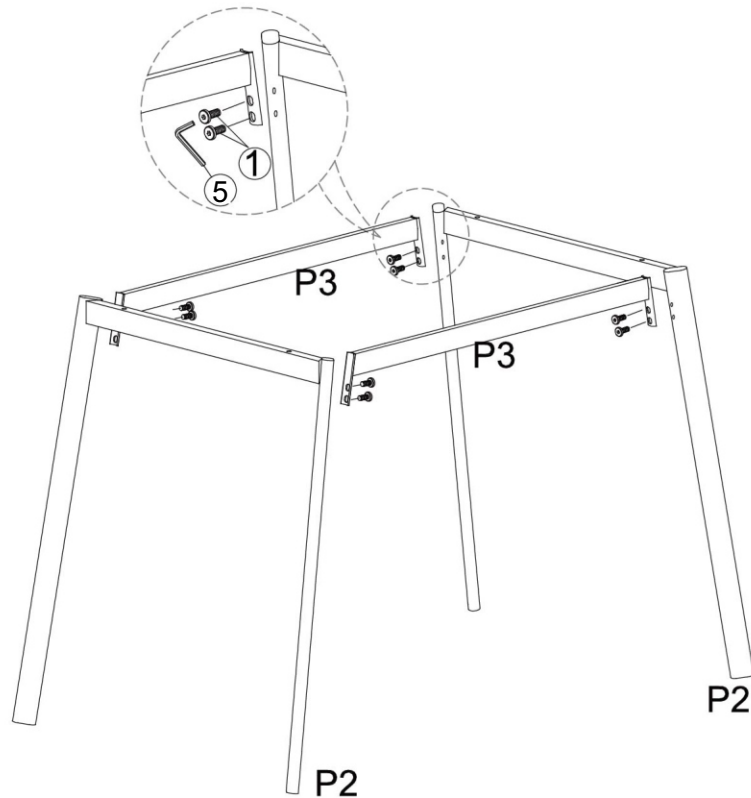
THE USE OF POWER TOOLS TO ASSEMBLE THIS PRODUCT WILL INVALIDATE ANY CLAIM AND MAY DAMAGE THIS PRODUCT MAKING IT UNSAFE.



STEP 1

YOU WILL NEED:-



1		8PCS
5		1PC

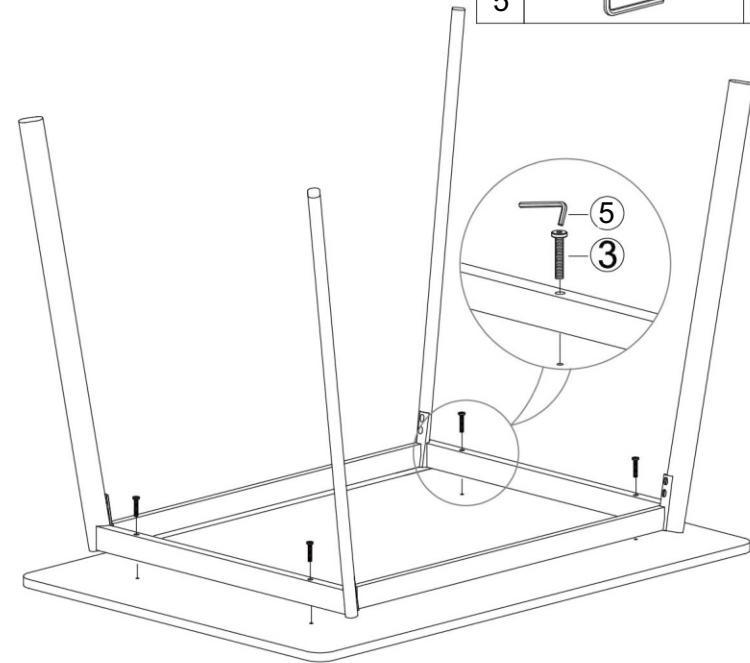


STEP 2

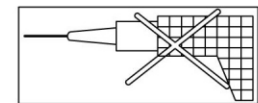
SEC/SH/04/20/BT1

YOU WILL NEED:-

3		4PCS
5		1PC



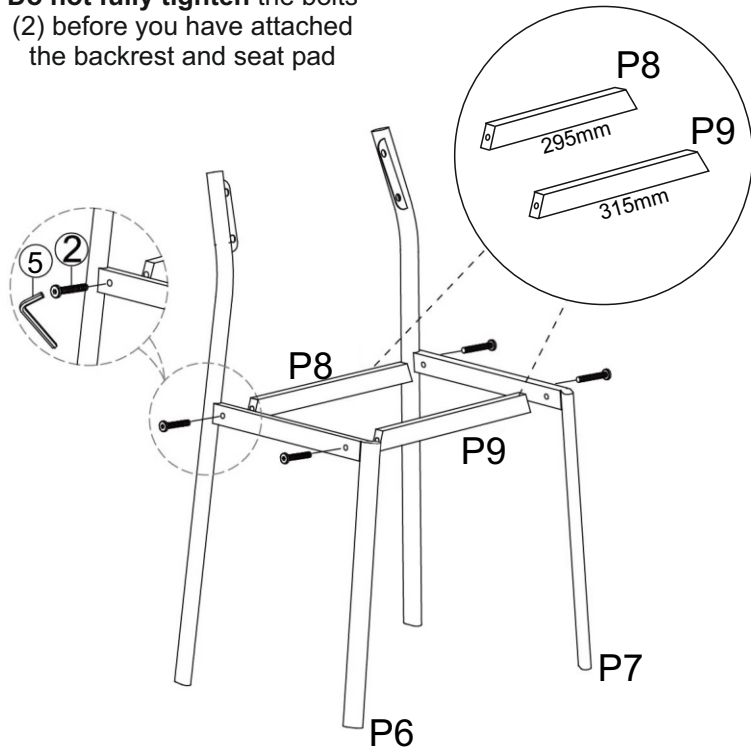
THE USE OF POWER TOOLS TO ASSEMBLE THIS PRODUCT WILL INVALIDATE ANY CLAIM AND MAY DAMAGE THIS PRODUCT MAKING IT UNSAFE.



STEP 1

YOU WILL NEED:-		
2		8PCS
5		1PC

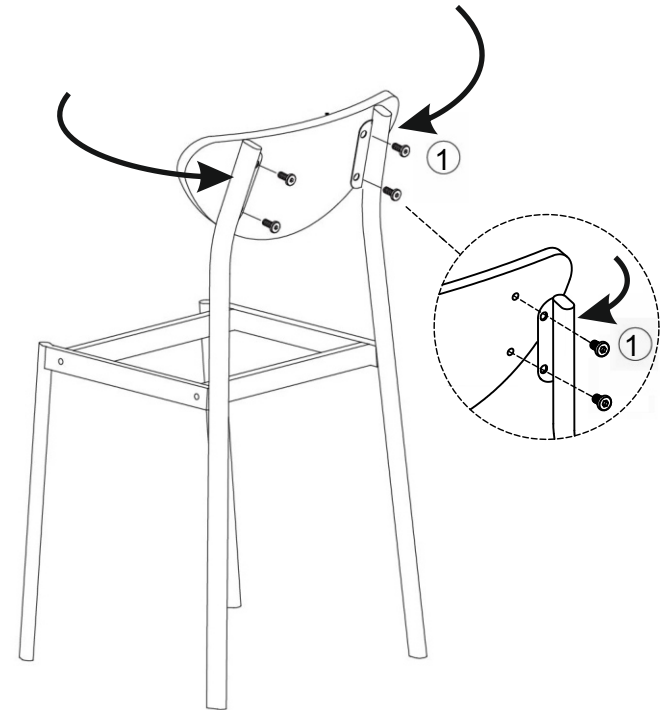
Do not fully tighten the bolts (2) before you have attached the backrest and seat pad



x2

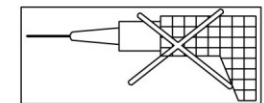
STEP 2

YOU WILL NEED:-		
1		8PCS
4		1PC



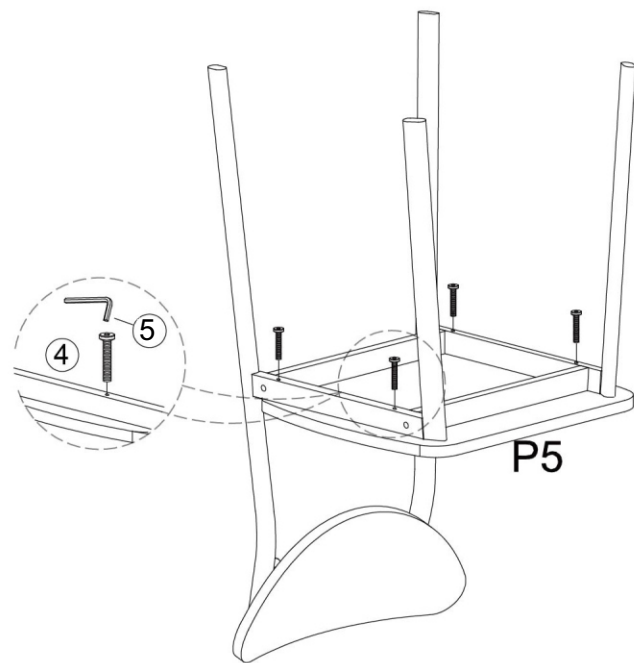
x2

THE USE OF POWER TOOLS TO ASSEMBLE THIS PRODUCT WILL INVALIDATE ANY CLAIM AND MAY DAMAGE THIS PRODUCT MAKING IT UNSAFE.



STEP 5

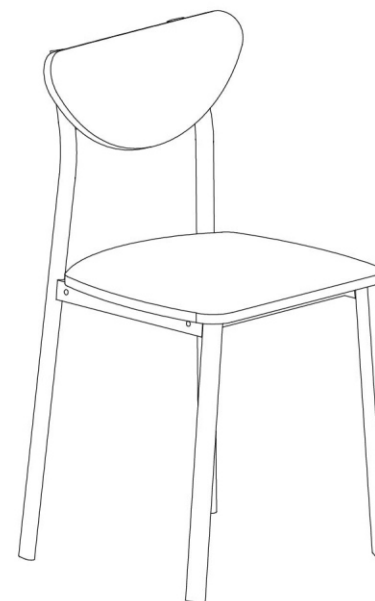
YOU WILL NEED:-		
4		8PCS
5		1PC



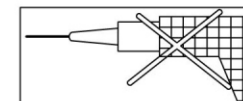
×2

STEP 6

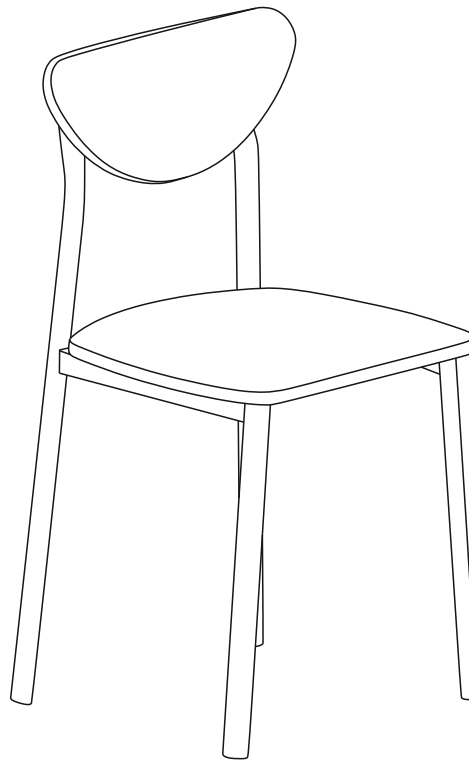
Please now fully tighten all bolts



THE USE OF POWER TOOLS TO ASSEMBLE THIS PRODUCT WILL INVALIDATE ANY CLAIM AND MAY DAMAGE THIS PRODUCT MAKING IT UNSAFE.



RILEY DINING CHAIR ASSEMBLY INSTRUCTIONS



IMPORTANT

FOR DOMESTIC USE ONLY

PLEASE READ BEFORE YOU CONTINUE FURTHER

THE PRODUCT YOU HAVE PURCHASED WILL GIVE YOU MANY YEARS OF SERVICE IF YOU FOLLOW THE GUIDELINES FOR ITS SAFE ASSEMBLY AND PERIODIC MAINTENANCE AND CLEANING.

ASSEMBLE ON A SOFT CLEAN SURFACE.

DO NOT USE ANY TOOLS OTHER THAN THOSE SHOWN.

ANY SPANNERS OR ALLEN KEYS REQUIRED ARE INCLUDED WITH THE FITTINGS KIT.

DO NOT FOR ANY REASON USE A POWER TOOL TO ASSEMBLE THIS PRODUCT. ITS USE WILL INVALIDATE ANY CLAIM YOU MAY HAVE AND COULD MAKE THIS PRODUCT UNSAFE.

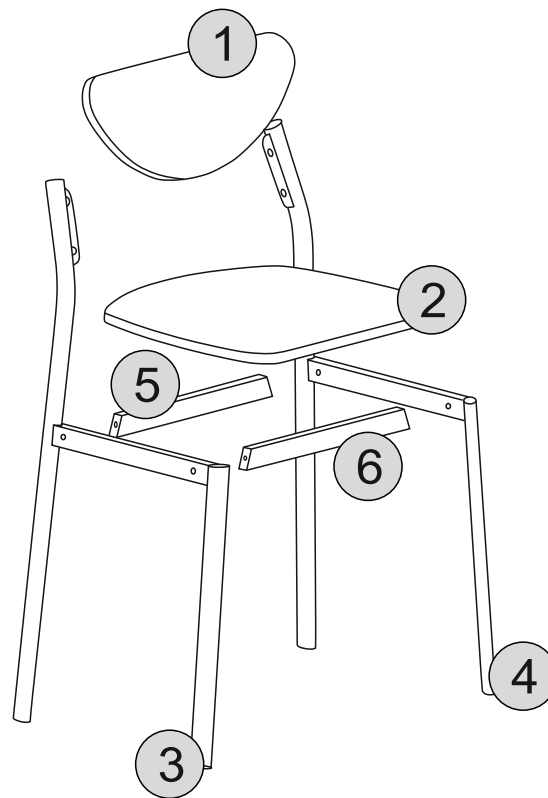
DEPENDING ON THE AMOUNT OF USE THIS PRODUCT RECEIVES IT MAY BE NECESSARY TO TIGHTEN UP THE FIXINGS FROM TIME TO TIME.

THIS IS COMPLETELY NORMAL FOR ANY FLAT PACK FURNITURE.

DO NOT OVERTIGHTEN FIXINGS.

FOR CLEANING, YOU MAY USE A DAMP CLOTH (NOT WET). DO NOT USE POLISH, DETERGENT OR CHEMICAL CLEANERS.

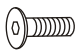



THE SURFACE OF THIS ITEM IS NOT HEAT RESISTANT. ALWAYS USE A PLACE MAT UNDER HOT OR COLD ITEMS TO PREVENT MARKING.



PARTS LIST

Part Number	Part Code	Part Description	Quantity	Carton
1	S400-402-115-BT1-01	Backrest	1	1/1
2	S400-402-115-BT1-02	Seat Pad	1	1/1
3	S400-402-115-BT1-03	Chair Leg (Left)	1	1/1
4	S400-402-115-BT1-04	Chair Leg (Right)	1	1/1
5	S400-402-115-BT1-05	Chair Crossbar Short	1	1/1
6	S400-402-115-BT1-06	Chair Crossbar Long	1	1/1

HARDWARE LIST

REF		HARDWARE NAME	QTY
A		6 x 12MM ALLEN BOLT	4PCS
B		6 x 35MM ALLEN BOLT	4PCS
C		6 x 40MM ALLEN BOLT	4PCS
D		ALLEN KEY	1PC

PLEASE CHECK THAT YOU HAVE ALL THE PARTS LISTED BEFORE YOU START ASSEMBLING. IF YOU DO FIND THAT SOMETHING IS MISSING, DO NOT CONTINUE ASSEMBLY. PLEASE CONTACT YOUR SUPPLIER IMMEDIATELY.

STEP 1

PARTS REQUIRED

3 - CHAIR LEG (LEFT) x1

5 - CHAIR CROSSBAR SHORT x1

6 - CHAIR CROSSBAR LONG x1

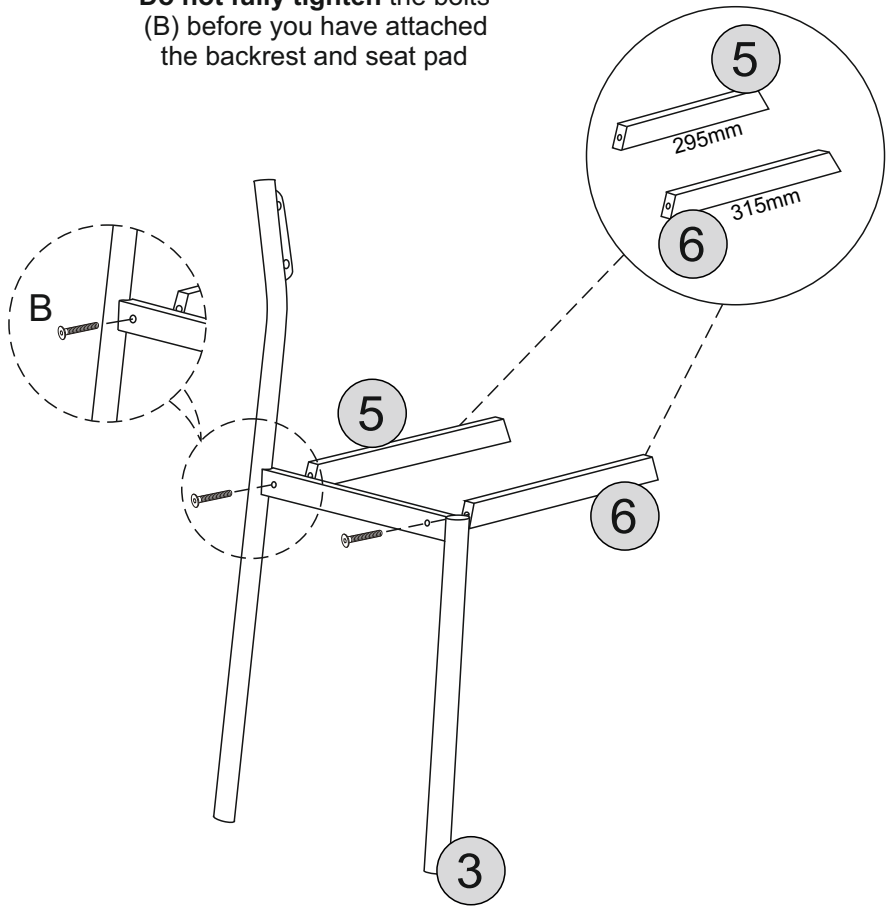
HARDWARE REQUIRED

B  02

TOOLS REQUIRED



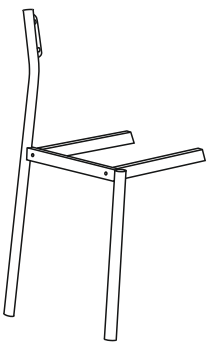
Do not fully tighten the bolts (B) before you have attached the backrest and seat pad



STEP 2

PARTS REQUIRED

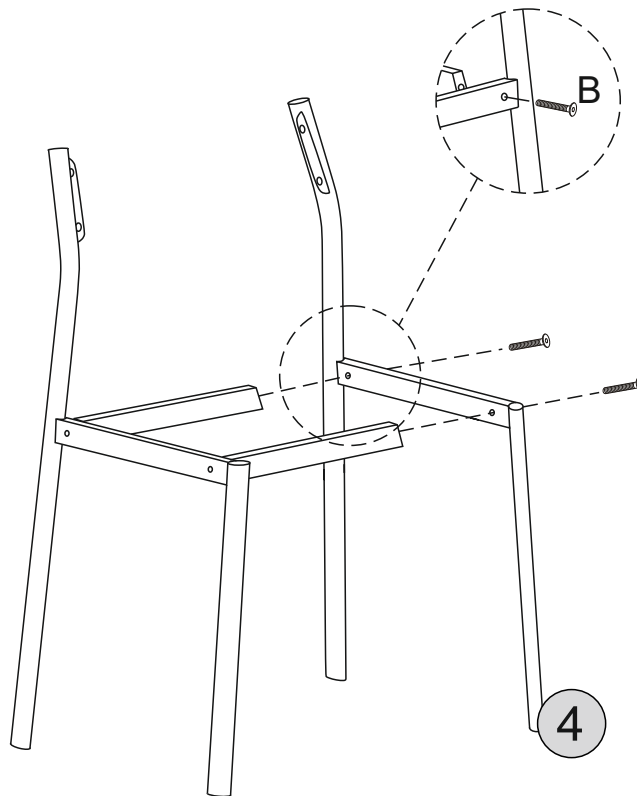
4 - CHAIR LEG (RIGHT) x1



HARDWARE REQUIRED

B  02

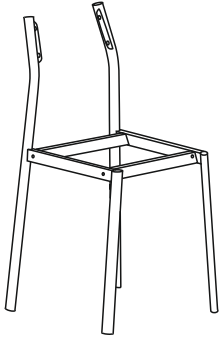
TOOLS REQUIRED



STEP 3

PARTS REQUIRED

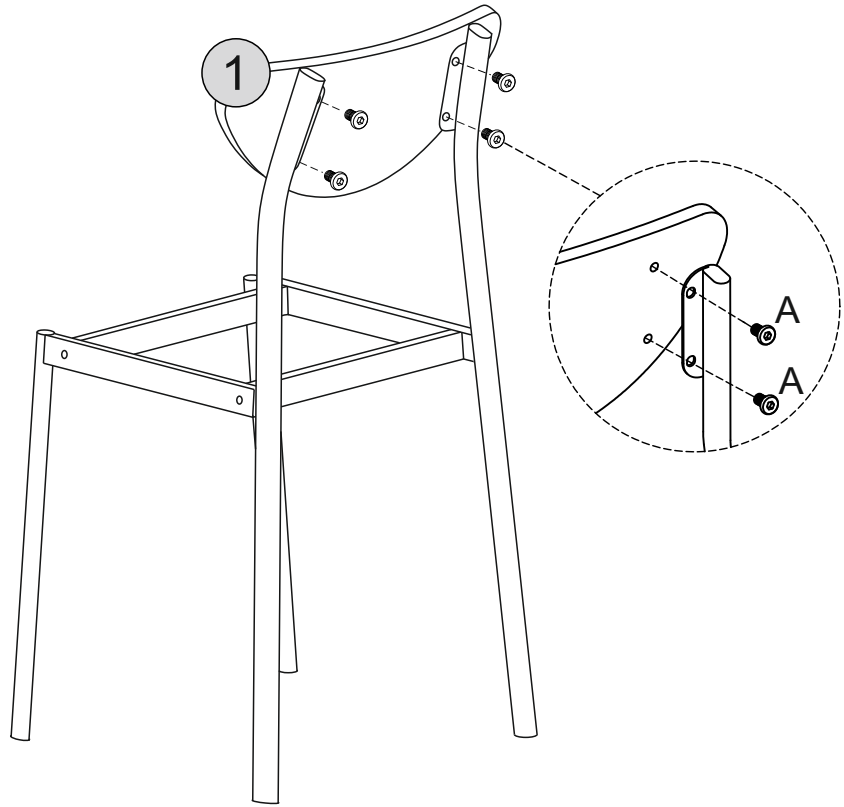
1 - BACKREST x1



HARDWARE REQUIRED

A  04

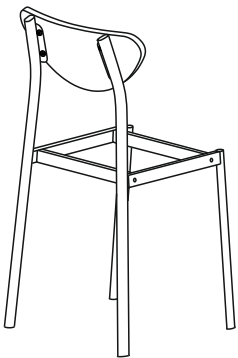
TOOLS REQUIRED



STEP 4

PARTS REQUIRED

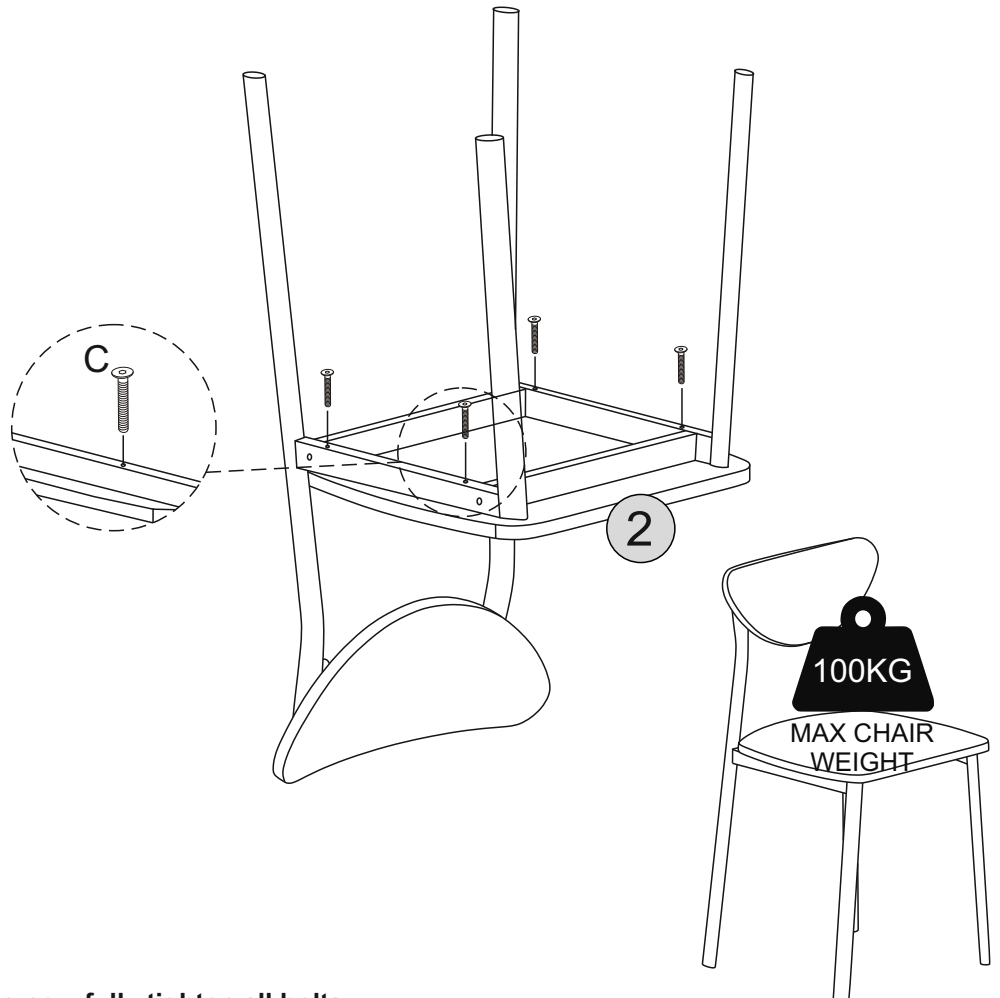
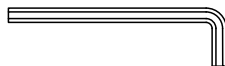
2 - SEAT PAD x1



HARDWARE REQUIRED

C  04

TOOLS REQUIRED



Please now fully tighten all bolts