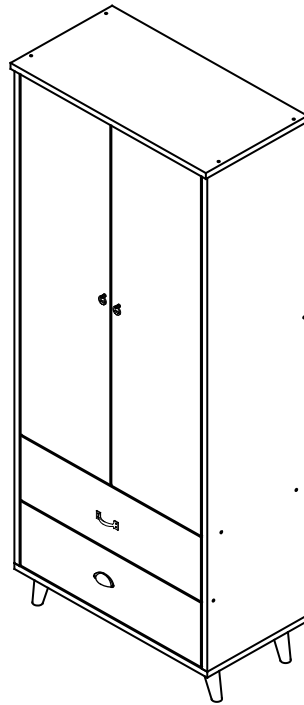


GREY/CHARCOAL CONCRETE EFFECT NORDIC 2 DOOR 2 DRAWER WARDROBE ASSEMBLY INSTRUCTIONS



FOR DOMESTIC USE ONLY
IMPORTANT

PLEASE READ BEFORE YOU CONTINUE FURTHER

THE PRODUCT YOU HAVE PURCHASED WILL GIVE YOU MANY YEARS OF SERVICE IF YOU FOLLOW THE GUIDELINES FOR ITS SAFE ASSEMBLY AND PERIODIC MAINTENANCE AND CLEANING
ASSEMBLE ON A SOFT CLEAN SURFACE

DO NOT USE ANY TOOLS OTHER THAN THOSE SHOWN

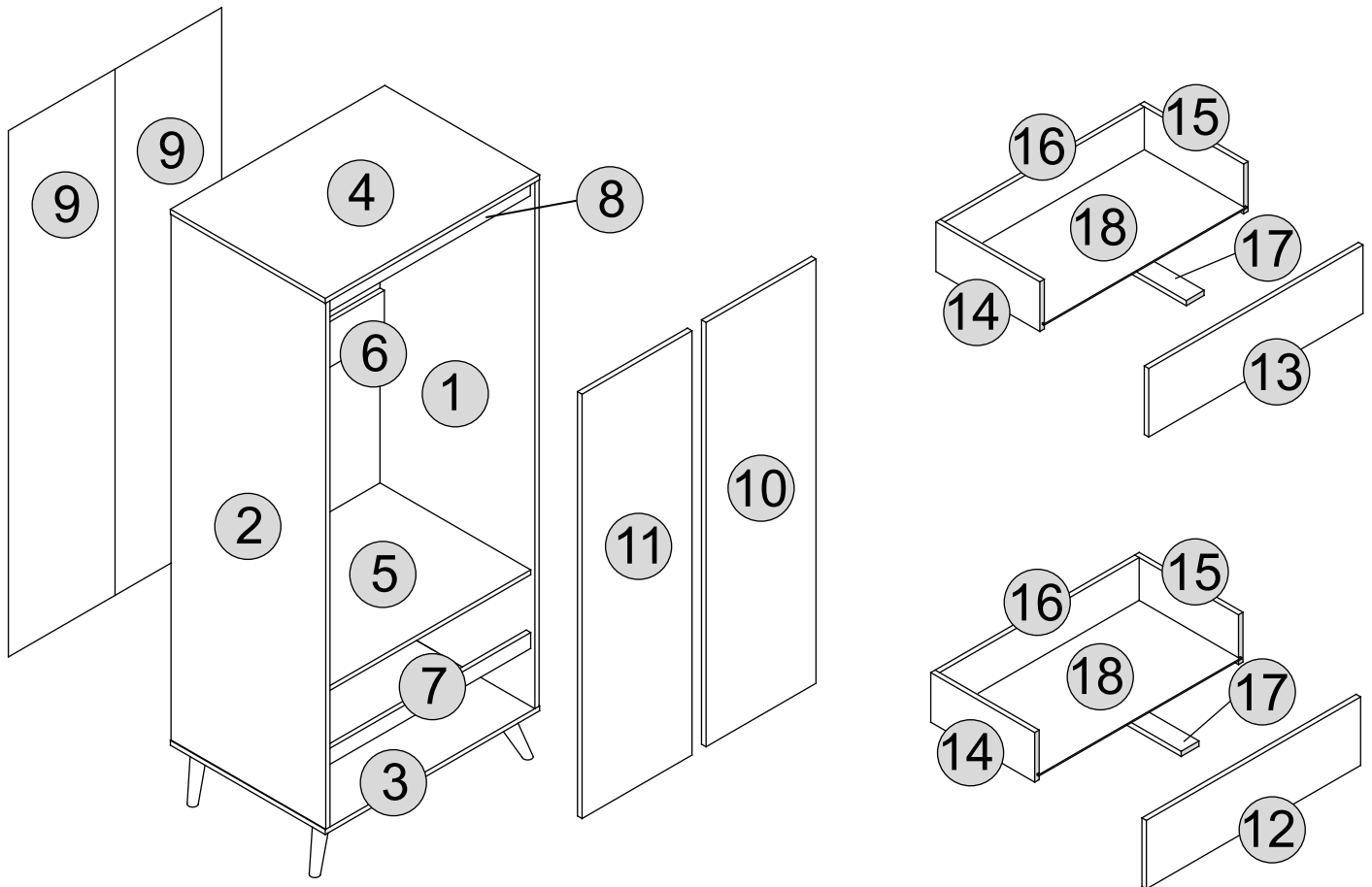
ANY SPANNERS OR ALLEN KEYS REQUIRED ARE INCLUDED WITH THE FITTING KIT.

DO NOT FOR ANY REASON USE A POWER TOOL TO ASSEMBLE THIS PRODUCT. ITS USE WILL INVALIDATE ANY CLAIM YOU MAY HAVE AND COULD MAKE THIS PRODUCT UNSAFE.

DEPENDING ON THE AMOUNT OF USE THIS PRODUCT RECEIVES, IT MAY BE NECESSARY TO TIGHTEN UP THE FIXINGS FROM TIME TO TIME. THIS IS COMPLETELY NORMAL FOR ANY FLAT PACK FURNITURE. DO NOT OVERTIGHTEN FIXINGS.

FOR CLEANING, YOU MAY USE A DAMP CLOTH (NOT WET). DO NOT USE POLISH, DETERGENT OR CHEMICAL CLEANERS.

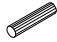








THIS SURFACE OF THIS ITEM IS NOT HEAT RESISTANT. ALWAYS USE A PLACE MAT UNDER HOT OR COLD ITEMS TO PREVENT MARKING.




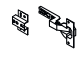







PART LIST

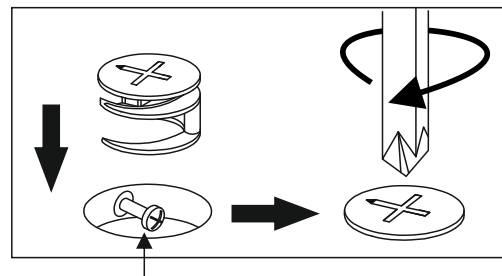
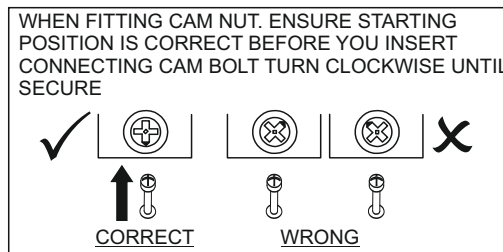
| Part Number | Part Code | Part Description | Quantity | Carton |
|-------------|---------------------|----------------------|----------|--------|
| 1 | S100-101-162-TA1-01 | Right Side Panel | 1 | 1/2 |
| 2 | S100-101-162-TA1-02 | Left Side Panel | 1 | 1/2 |
| 3 | S100-101-162-TA1-03 | Bottom Panel | 1 | 2/2 |
| 4 | S100-101-162-TA1-04 | Top Panel | 1 | 2/2 |
| 5 | S100-101-162-TA1-05 | Shelf Panel | 1 | 2/2 |
| 6 | S100-101-162-TA1-06 | Back Support | 1 | 2/2 |
| 7 | S100-101-162-TA1-07 | Bottom Support Panel | 1 | 2/2 |
| 8 | S100-101-162-TA1-08 | Top Support Panel | 1 | 2/2 |
| 9 | S100-101-162-TA1-09 | Back Panel | 2 | 1/2 |
| 10 | S100-101-162-TA1-10 | Right Door | 1 | 1/2 |
| 11 | S100-101-162-TA1-11 | Left Door | 1 | 1/2 |
| 12 | S100-101-162-TA1-12 | Top Drawer Front | 1 | 2/2 |
| 13 | S100-101-162-TA1-13 | Bottom Drawer Front | 1 | 2/2 |
| 14 | S100-101-162-TA1-14 | Left Drawer Side | 2 | 2/2 |
| 15 | S100-101-162-TA1-15 | Right Drawer Side | 2 | 1/2 |
| 16 | S100-101-162-TA1-16 | Drawer Back | 2 | 2/2 |
| 17 | S100-101-162-TA1-17 | Drawer Support | 2 | 2/2 |
| 18 | S100-101-162-TA1-18 | Drawer Base | 2 | 2/2 |

HARDWARE LIST

| No. | Part Name | | Qty | Carton |
|-----|---------------------------------|---|--------|--------|
| A | Wooden Dowel (6x30mm) |  | x28 | 1 |
| B | 45mm Screw (4x45mm) |  | x16 | 1 |
| C | 14mm Screw (3.5x14mm) |  | x56 | 1 |
| D | 38mm Screw (4x38mm) |  | x10 | 1 |
| E | Minifix Cam Bolt (8032T) |  | x6 | 1 |
| F | Minifix Cam Nut (1512) |  | x6 | 1 |
| G | Wooden Leg+Plastic Foot |  | x4 | 2 |
| H | 6/8" Nail |  | x70 | 1 |
| I | 14" Drawer Slide (0,9mm W (vkt) |  | x2 set | 2 |

| No. | Part Name | | Qty | Carton |
|-----|-------------------------------------|---|-----|--------|
| J | PVC L- Bracket |  | x1 | 1 |
| K | Handle + Screw T-4538 (4x20mm=3pcs) |  | x1 | 1 |
| L | Screw Cover |  | x8 | 1 |
| M | 5" Hinge |  | x4 | 1 |
| N | Hanging Rail (722mm) |  | x1 | 1 |
| O | Hanging Rail Support |  | x2 | 1 |
| P | Handle+Screw (4x20mm=2pcs) |  | x2 | 1 |
| Q | Handle + Screw L-3510 (3x16mm=4pcs) |  | x1 | 1 |
| R | Wall Fixings (4x20mm=1pc) |  | x1 | 1 |

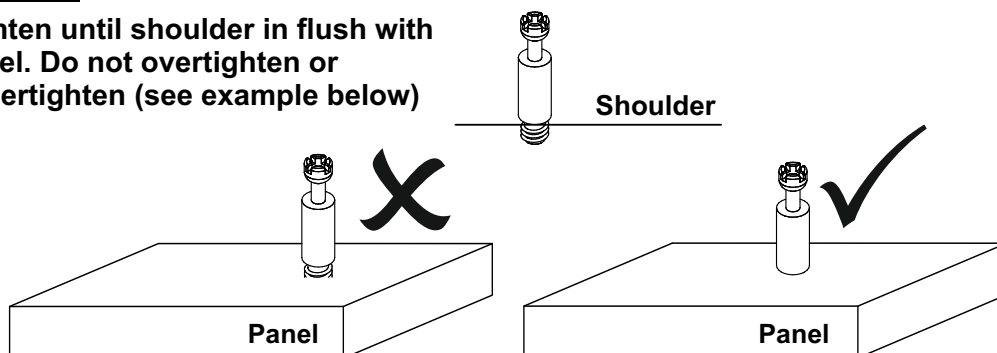
TIPS FOR FITTINGS CAM-LOCKS



Cam bolt head needs to be in centre

CAMBOLT

Tighten until shoulder in flush with panel. Do not overtighten or undertighten (see example below)

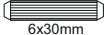






STEP 1

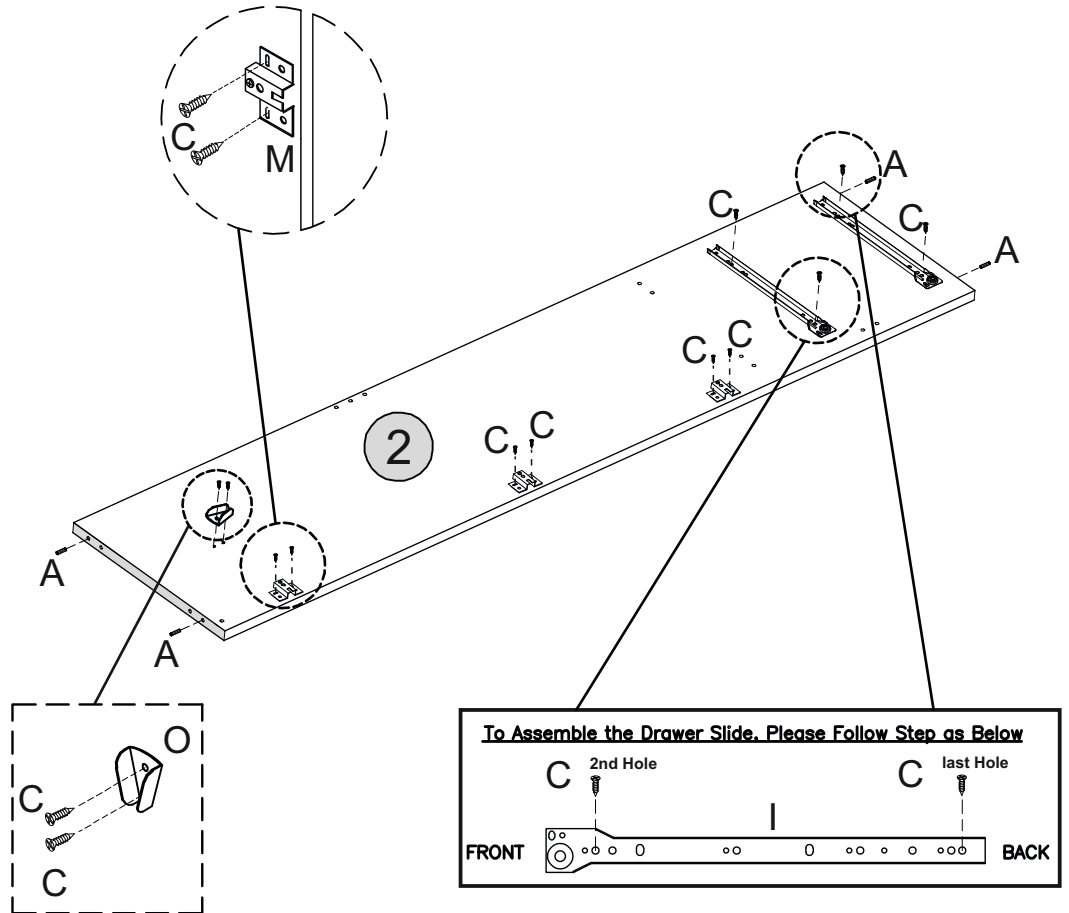
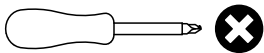
PARTS REQUIRED

2 - LEFT SIDE PANEL x1

HARDWARE REQUIRED

| | | |
|---|---|----|
| A |  | 04 |
| C |  | 12 |
| I |  | 02 |
| M |  | 03 |
| O |  | 01 |

TOOLS REQUIRED

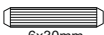
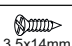


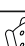


STEP 2

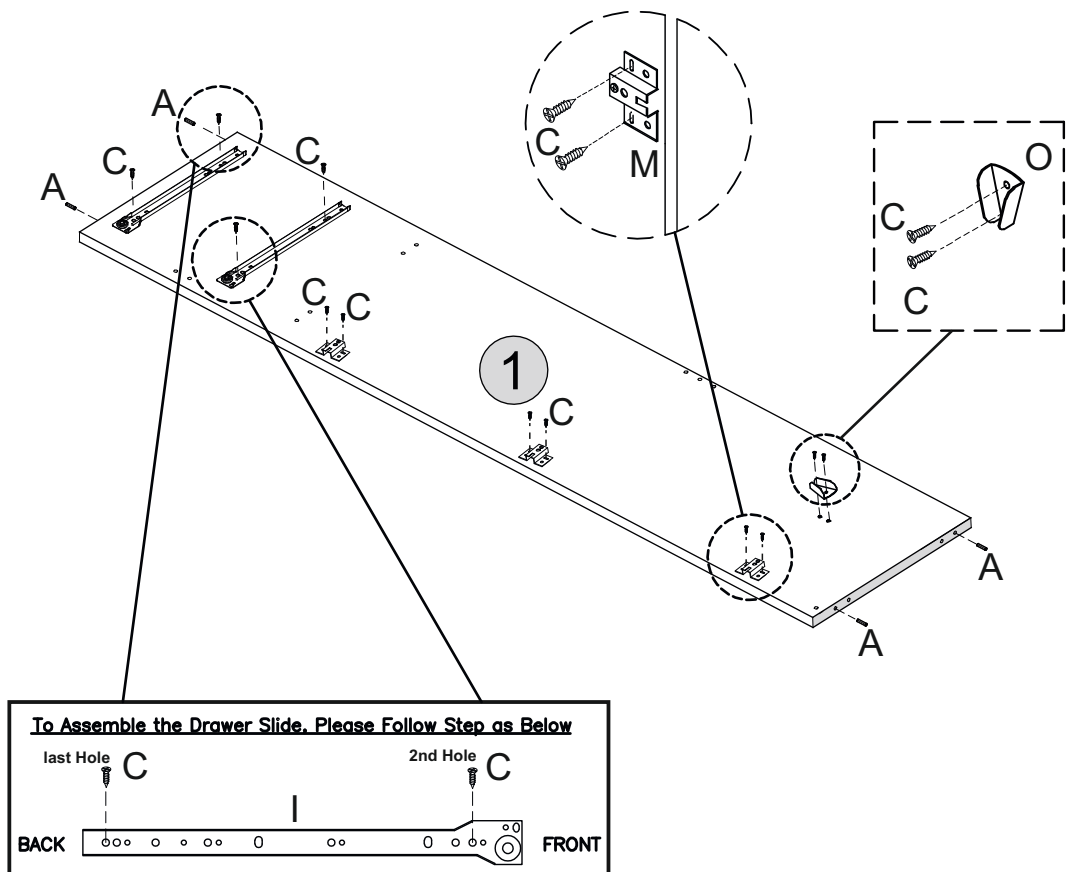
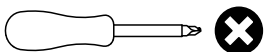
PARTS REQUIRED

1 - RIGHT SIDE PANEL x1

HARDWARE REQUIRED

| | | |
|---|---|----|
| A |  | 04 |
| C |  | 12 |
| I |  | 02 |
| M |  | 03 |
| O |  | 01 |

TOOLS REQUIRED



STEP 3

PARTS REQUIRED

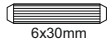
5 - SHELF PANEL x1

6 - BACK SUPPORT x1

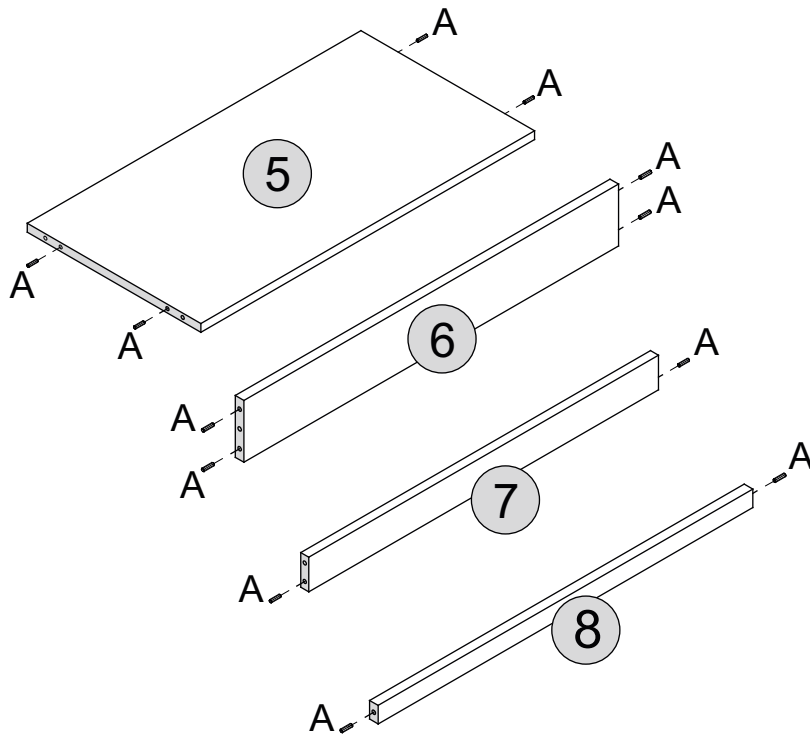
7 - BOTTOM SUPPORT PANEL x1

8 - TOP SUPPORT PANEL x1

HARDWARE REQUIRED

A  12

TOOLS REQUIRED



STEP 4

PARTS REQUIRED

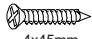
2 - LEFT SIDE PANEL x1

5 - SHELF PANEL x1

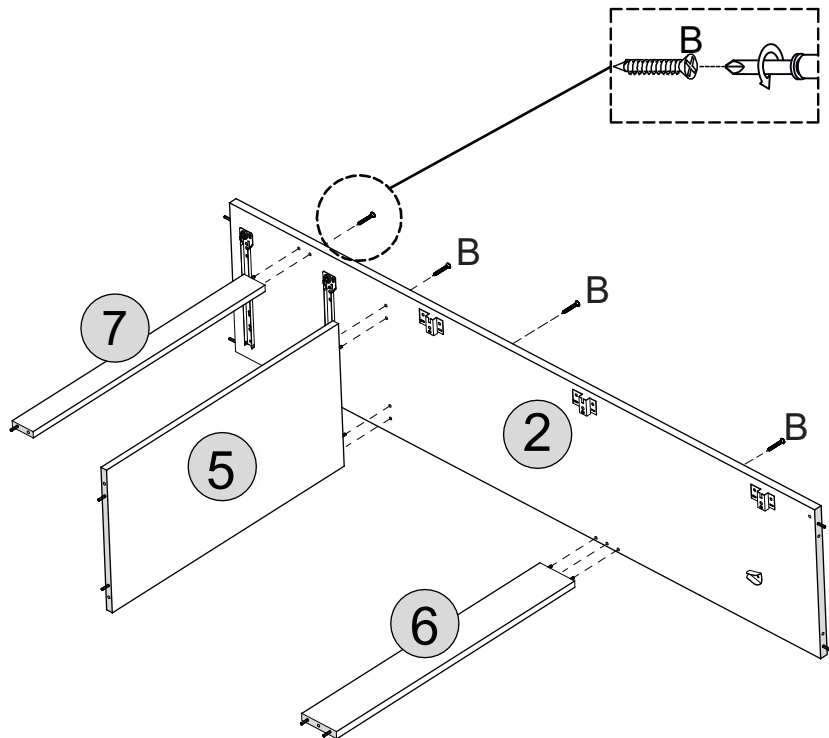
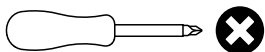
6 - BACK SUPPORT x1

7 - BOTTOM SUPPORT PANEL x1

HARDWARE REQUIRED

B  04

TOOLS REQUIRED

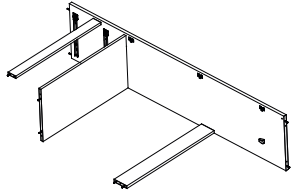


STEP 5

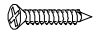
PARTS REQUIRED

1 - RIGHT SIDE PANEL x1

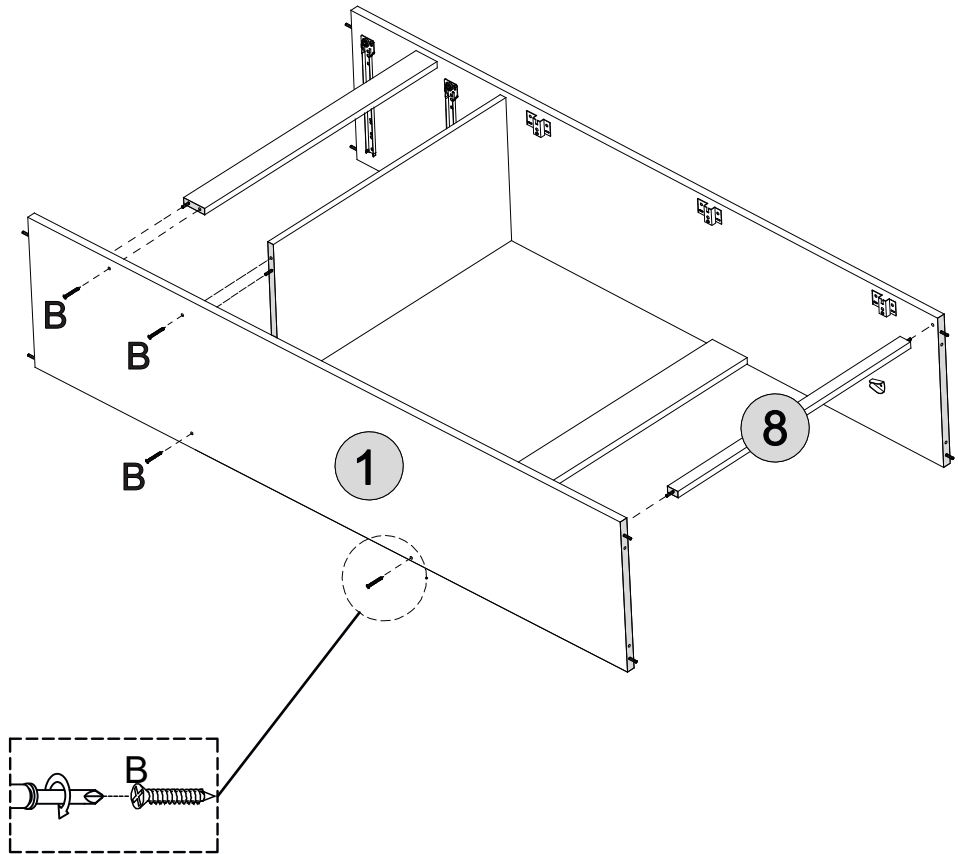
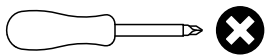
8 - TOP SUPPORT PANEL x1



HARDWARE REQUIRED

B  04
4x45mm

TOOLS REQUIRED

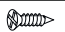


STEP 6

PARTS REQUIRED

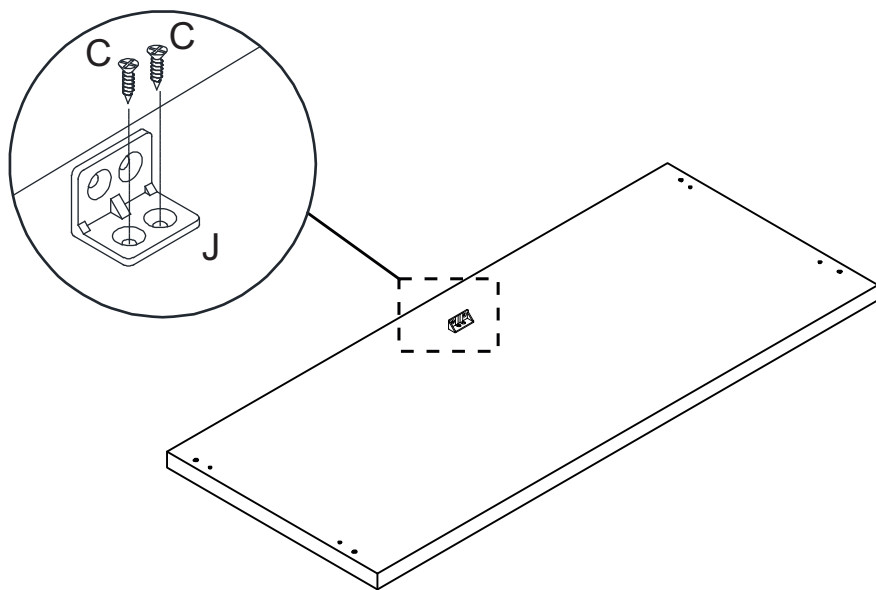
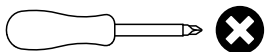
4 - TOP PANEL x1

HARDWARE REQUIRED

C  02
3.5x14mm

J  01

TOOLS REQUIRED

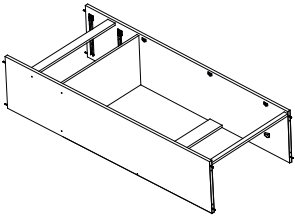


STEP 7

PARTS REQUIRED

3 - BOTTOM PANEL x1

4 - TOP PANEL x1

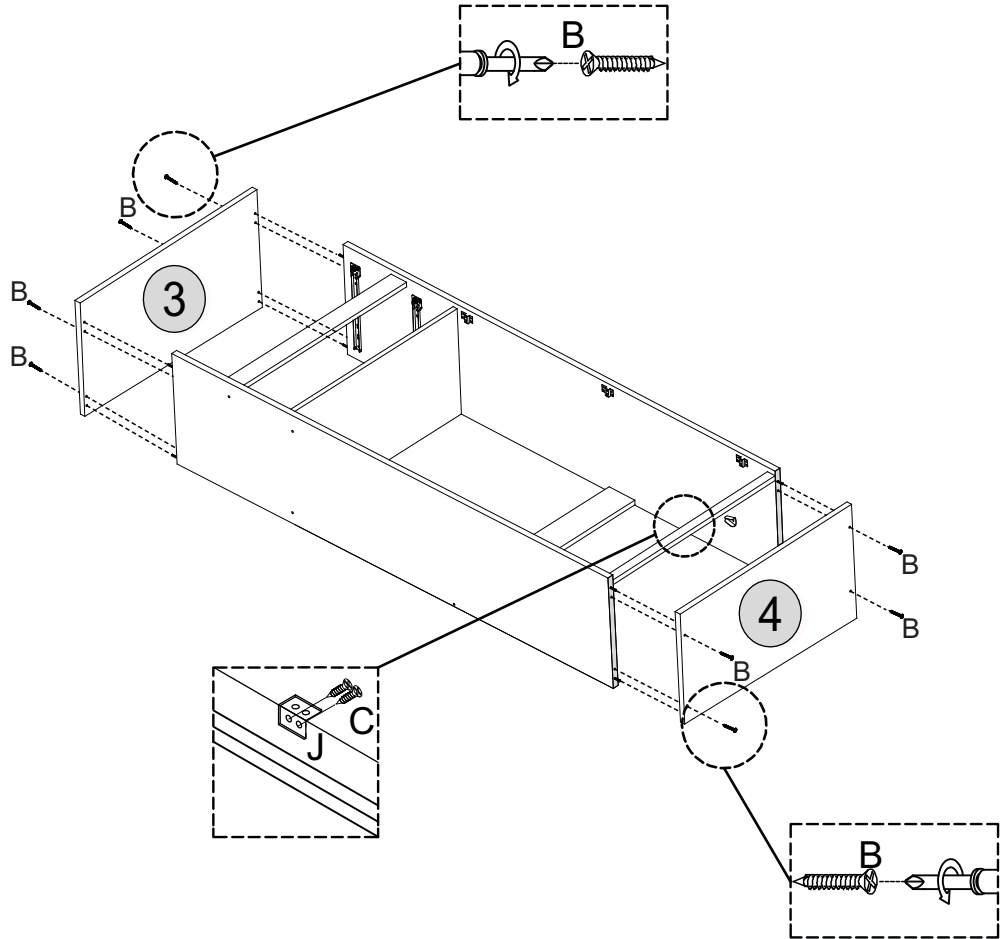
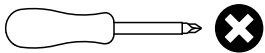


HARDWARE REQUIRED

B  08
4x45mm

C  02
3.5x14mm

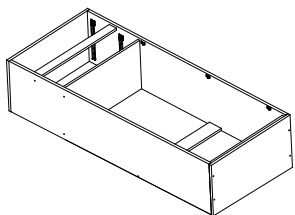
TOOLS REQUIRED



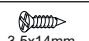
STEP 8

PARTS REQUIRED


9 - BACK PANEL x2



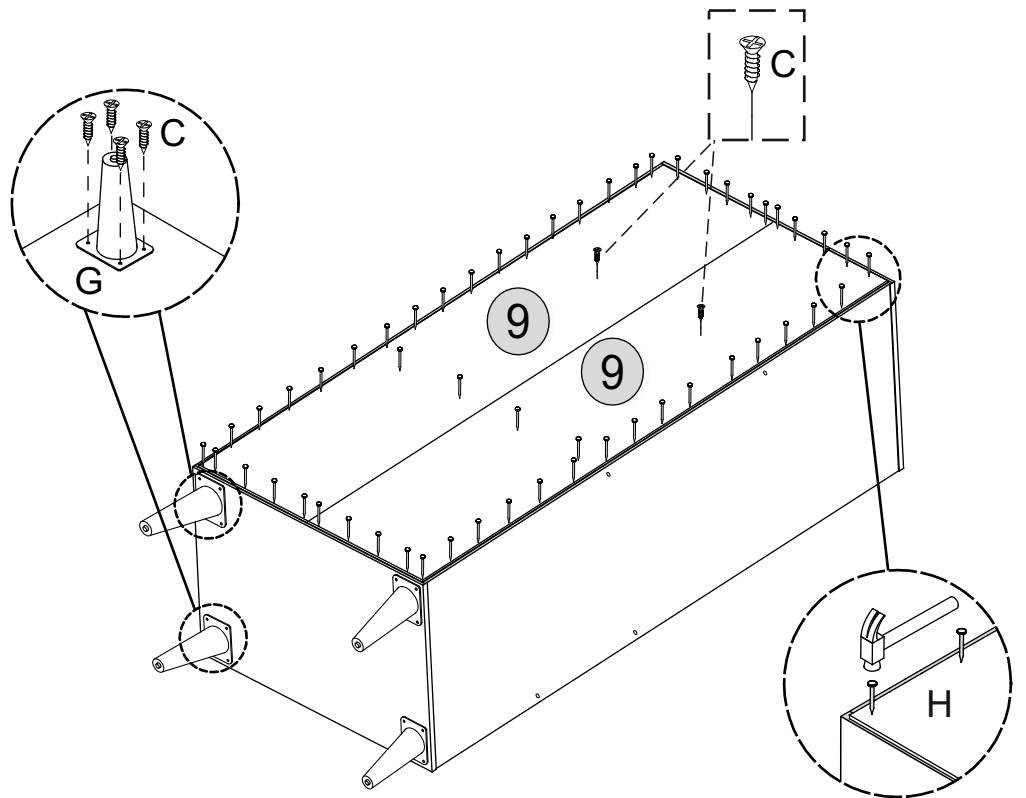
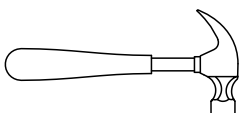
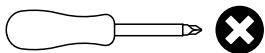
HARDWARE REQUIRED

C  18
3.5x14mm

G  04

H  70

TOOLS REQUIRED

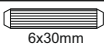




STEP 9

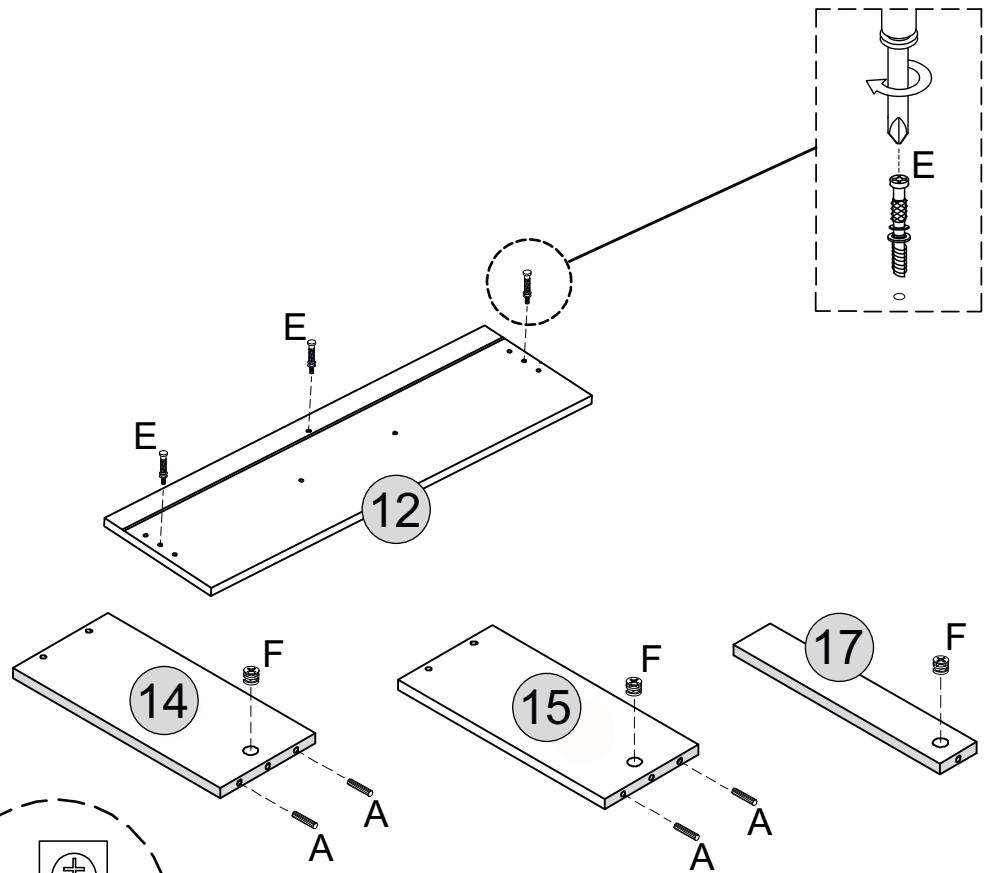
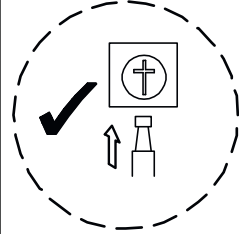
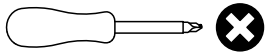
PARTS REQUIRED

- 12 - TOP DRAWER FRONT x1
- 14 - LEFT DRAWER SIDE x1
- 15 - RIGHT DRAWER SIDE x1
- 17 - DRAWER SUPPORT x1

HARDWARE REQUIRED

- A  04
- E  03
- F  03

TOOLS REQUIRED

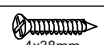


STEP 10

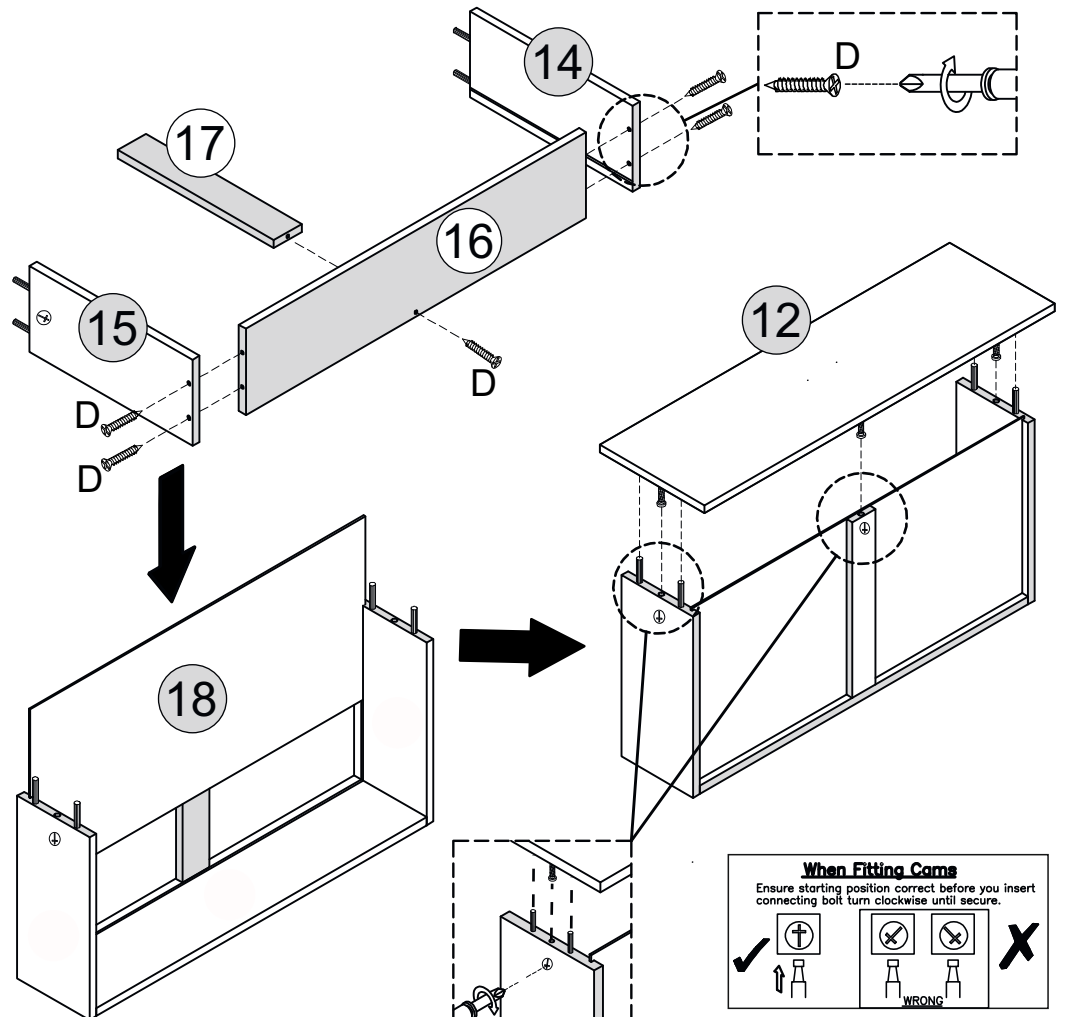
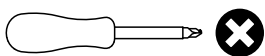
PARTS REQUIRED

- 12 - TOP DRAWER FRONT x1
- 14 - LEFT DRAWER SIDE x1
- 15 - RIGHT DRAWER SIDE x1
- 16 - DRAWER BACK x1
- 17 - DRAWER SUPPORT x1
- 18 - DRAWER BASE x1

HARDWARE REQUIRED

- D  05

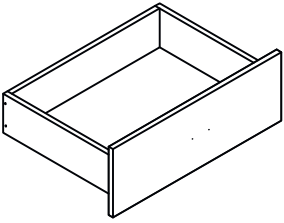
TOOLS REQUIRED



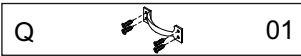
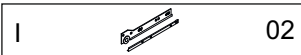
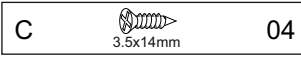
When Fitting Cam
Ensure starting position correct before you insert connecting bolt turn clockwise until secure.

STEP 11

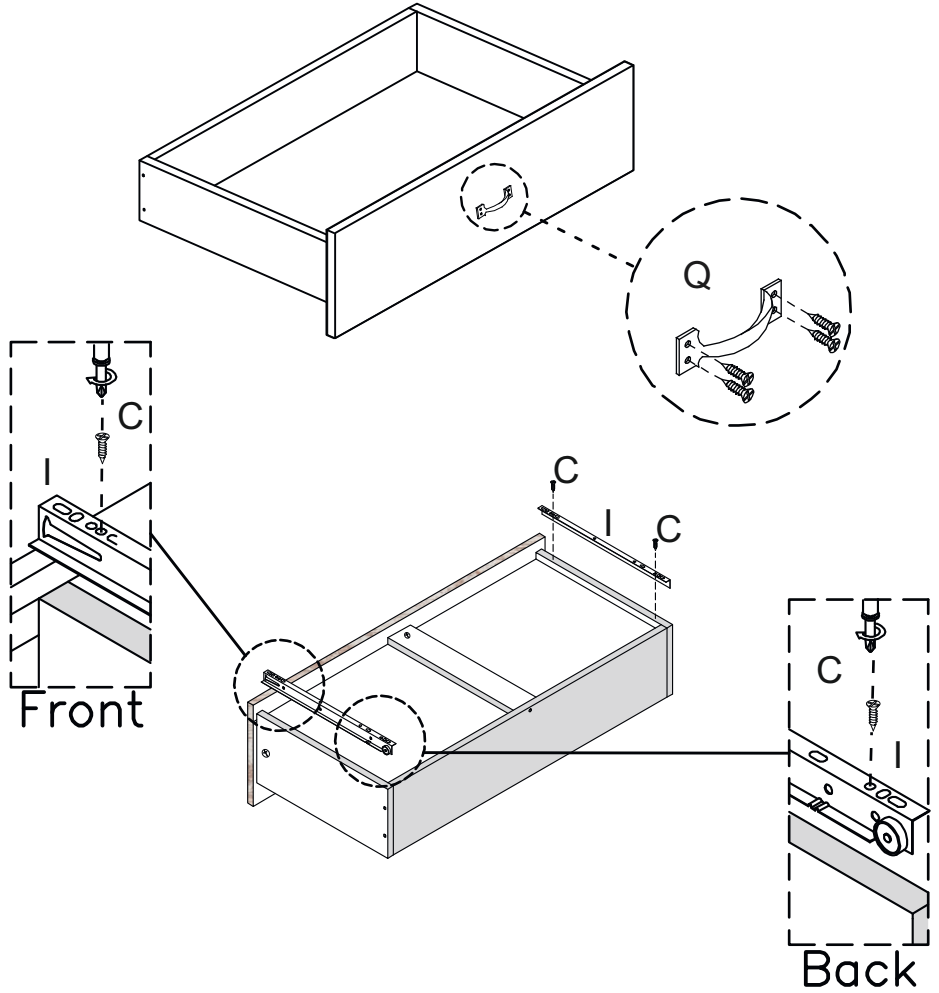
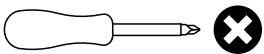
PARTS REQUIRED



HARDWARE REQUIRED



TOOLS REQUIRED



STEP 12

PARTS REQUIRED

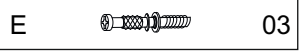
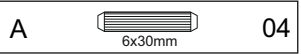
13 - BOTTOM DRAWER FRONT x1

14 - LEFT DRAWER SIDE x1

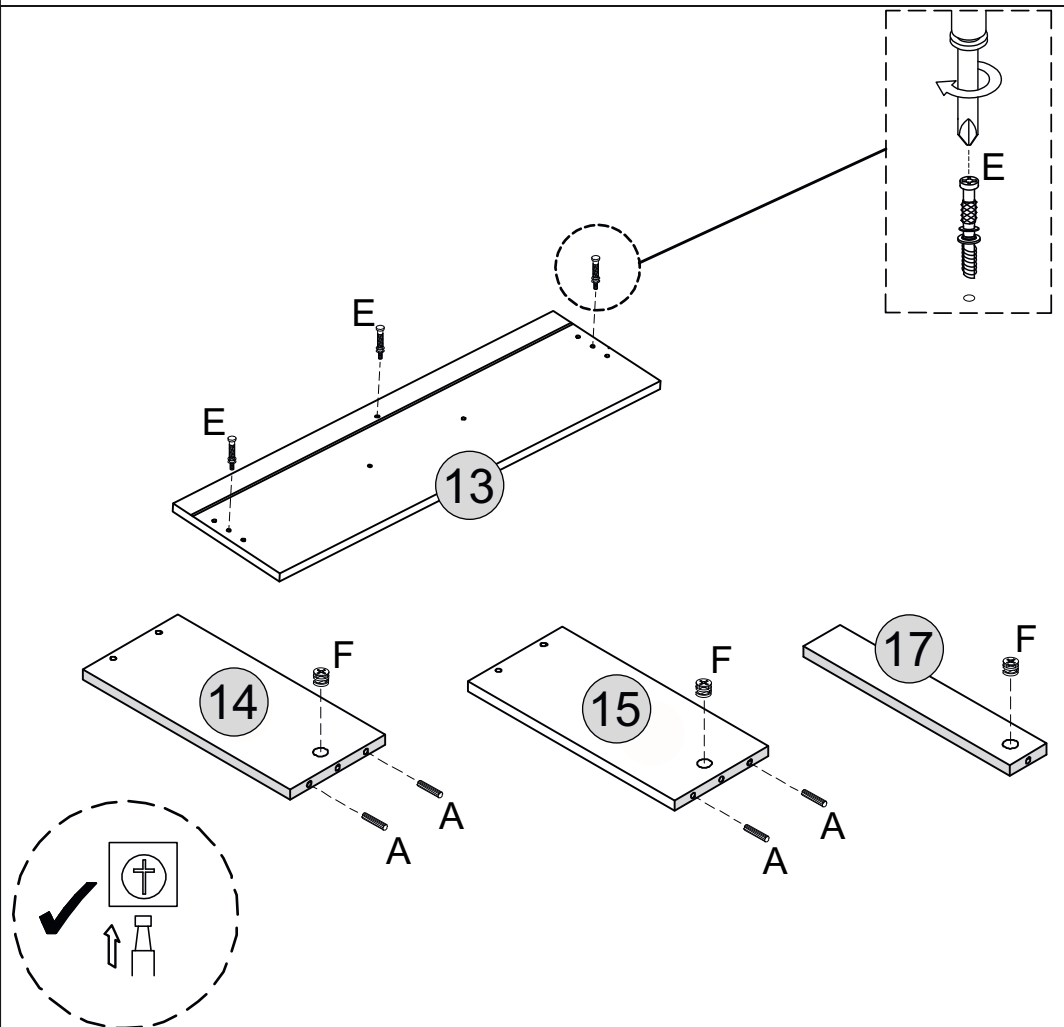
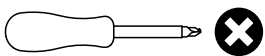
15 - RIGHT DRAWER SIDE x1

17 - DRAWER SUPPORT x1

HARDWARE REQUIRED



TOOLS REQUIRED




STEP 13

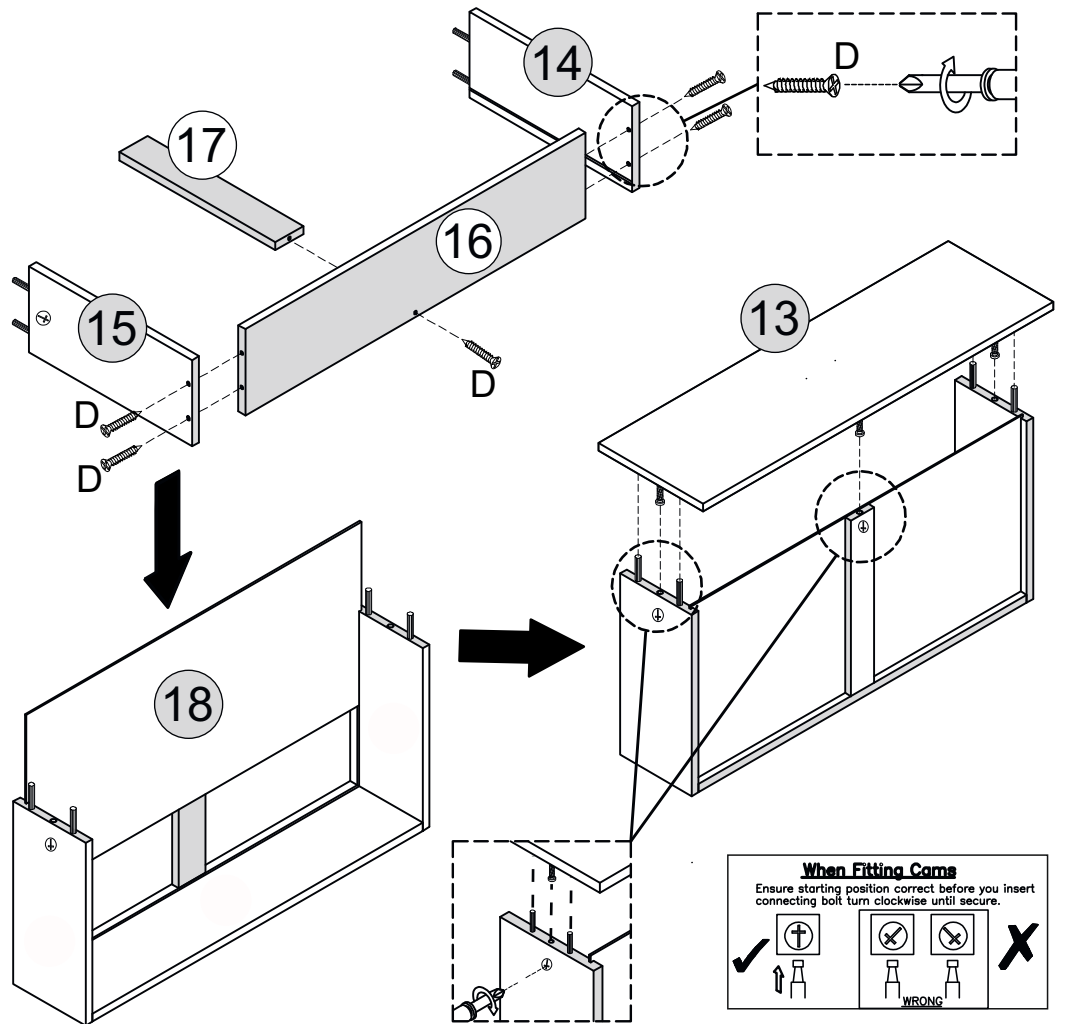
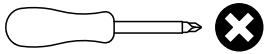
PARTS REQUIRED

- 13 - BOTTOM DRAWER FRONT x1
- 14 - LEFT DRAWER SIDE x1
- 15 - RIGHT DRAWER SIDE x1
- 16 - DRAWER BACK x1
- 17 - DRAWER SUPPORT x1
- 18 - DRAWER BASE x1

HARDWARE REQUIRED

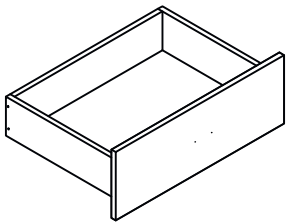
- D  05

TOOLS REQUIRED






STEP 14

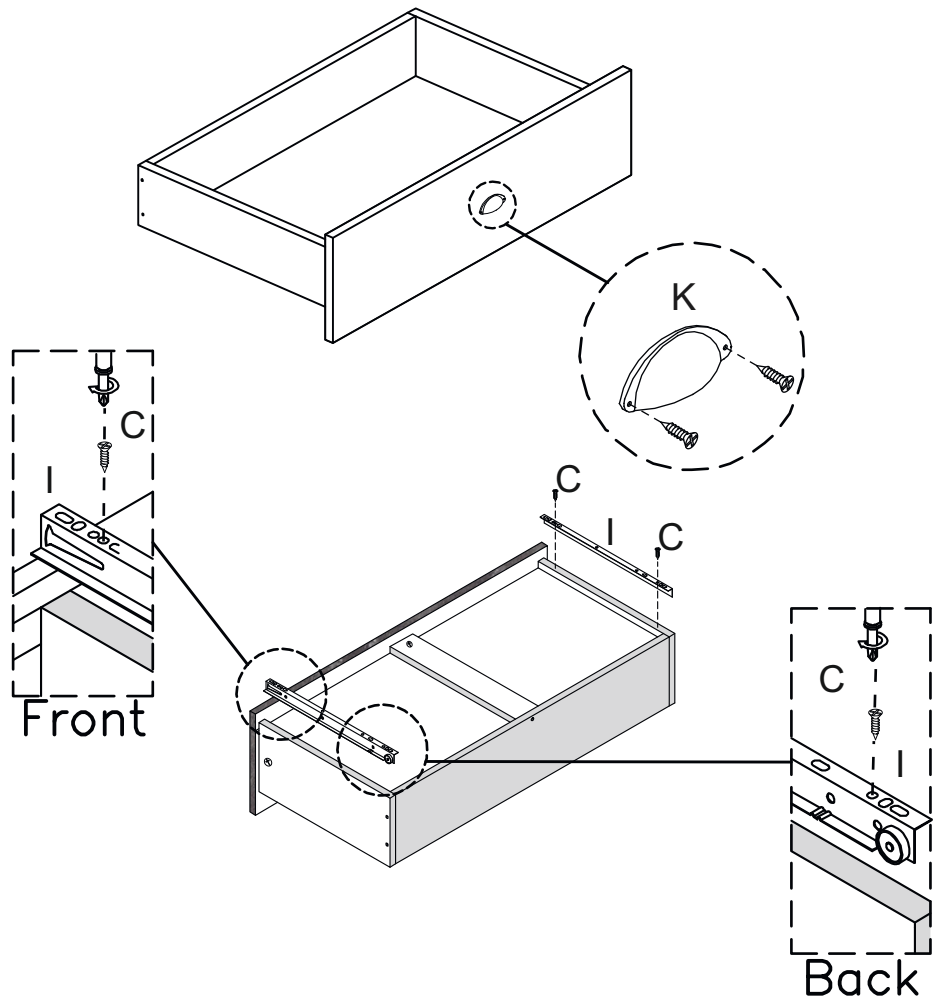
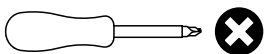
PARTS REQUIRED



HARDWARE REQUIRED

- C  04
- I  02
- K  01

TOOLS REQUIRED



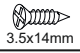
STEP 15

PARTS REQUIRED

10 - RIGHT DOOR x1

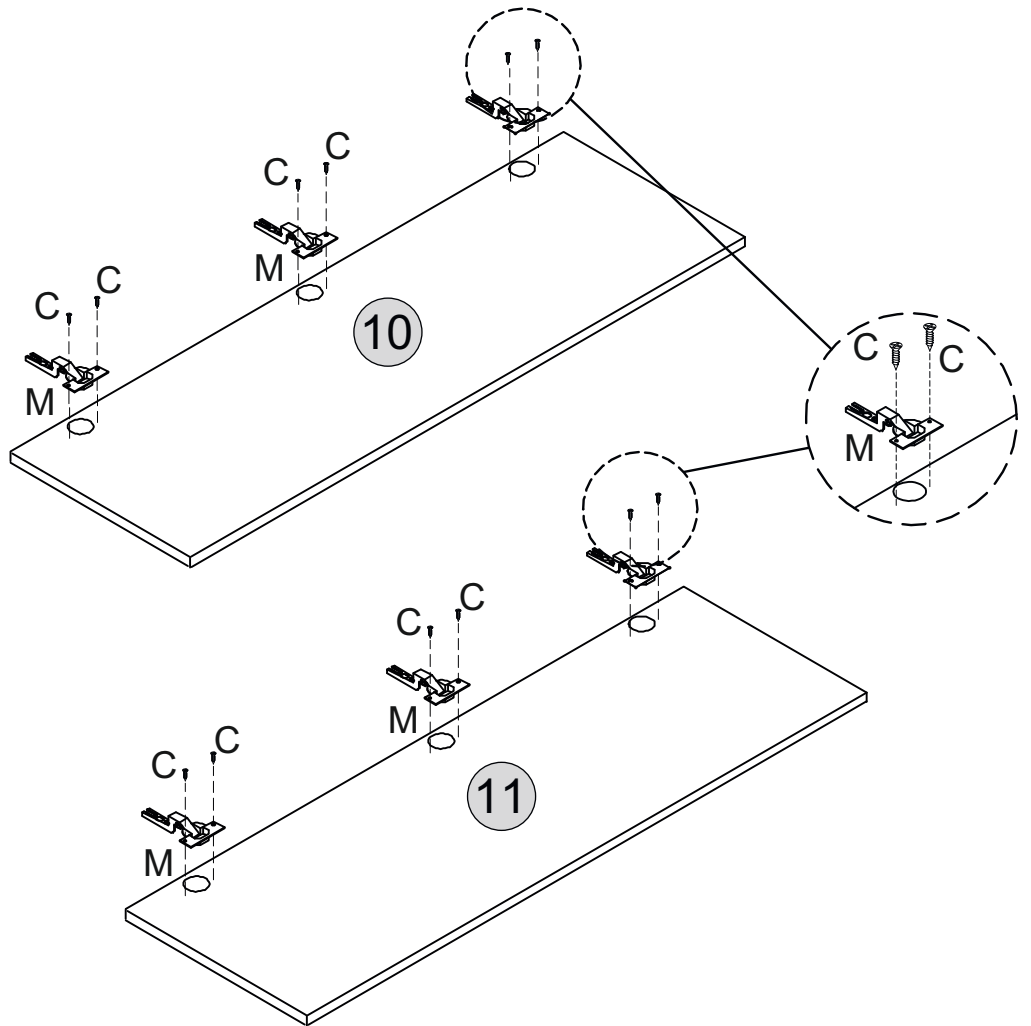
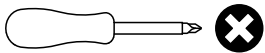
11 - LEFT DOOR x1

HARDWARE REQUIRED

C  12

M  06

TOOLS REQUIRED

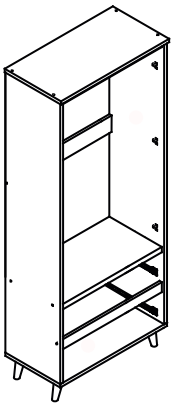


STEP 16

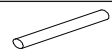
PARTS REQUIRED

10 - RIGHT DOOR x1

11 - LEFT DOOR x1

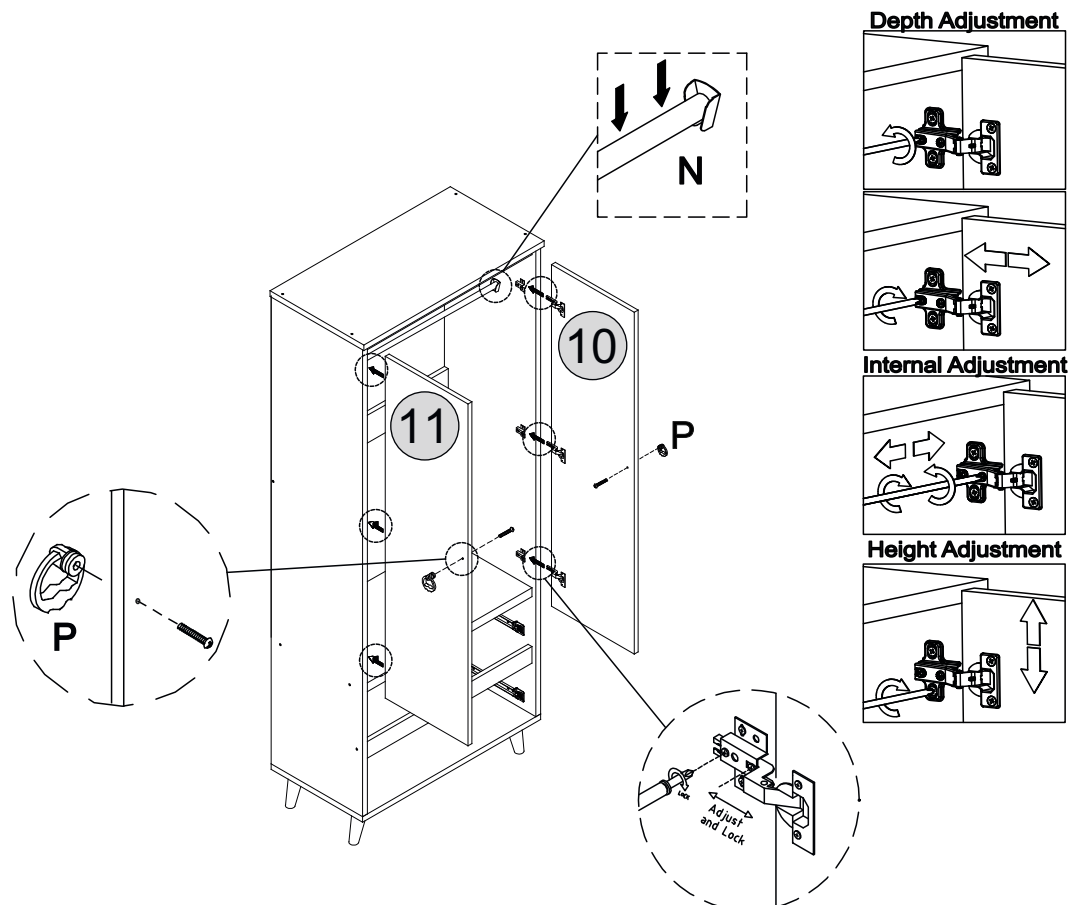
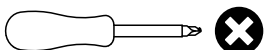


HARDWARE REQUIRED

N  01

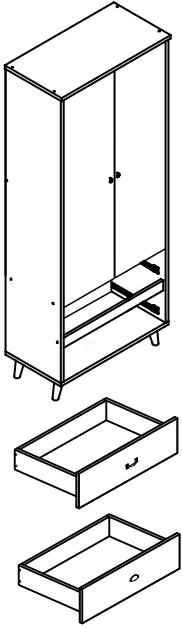
P  02

TOOLS REQUIRED



STEP 17

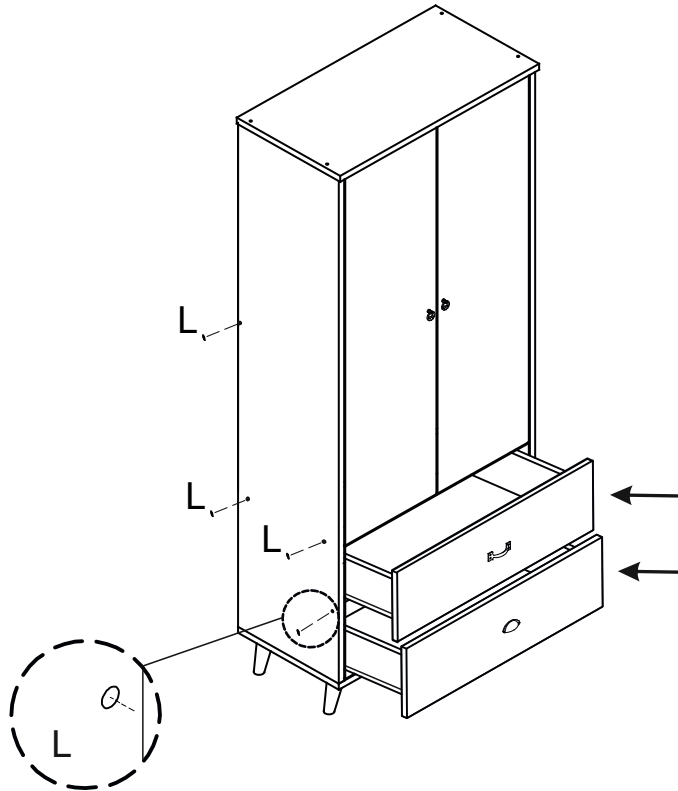
PARTS REQUIRED



HARDWARE REQUIRED

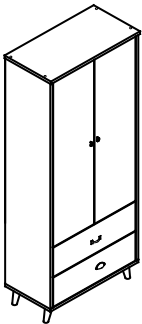


TOOLS REQUIRED



STEP 18

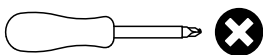
PARTS REQUIRED



HARDWARE REQUIRED



TOOLS REQUIRED



WARNING

Serious or fatal injuries can occur from furniture tipping over. To prevent the furniture from tipping over we recommend that it is permanently fixed to the wall.

Wall fixings are not supplied with this product as different wall materials require different types of fixing devices. Please make sure you use fixings suitable for the walls in your home.

