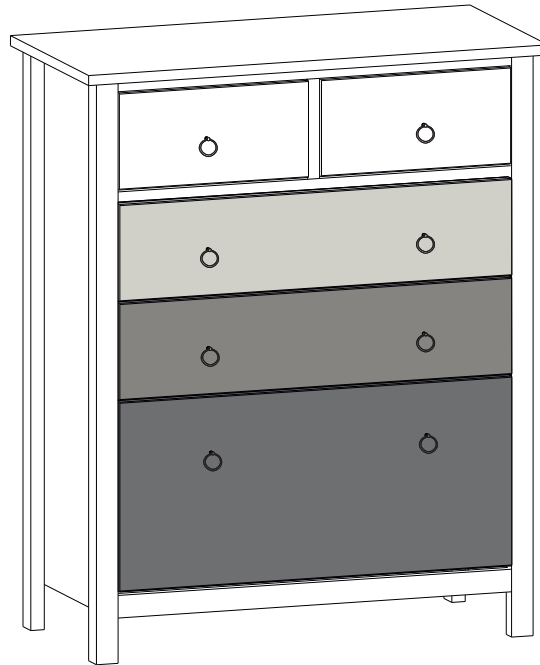


# VERMONT 3+2 DRAWER CHEST

## ASSEMBLY INSTRUCTIONS

### WHITE/GREY

55122



### **IMPORTANT**

### **FOR DOMESTIC USE ONLY**

**PLEASE READ BEFORE YOU CONTINUE FURTHER**

## **CARE AND MAINTENANCE**

After unpacking this product please keep the original packaging in case it needs to be returned for any reason.

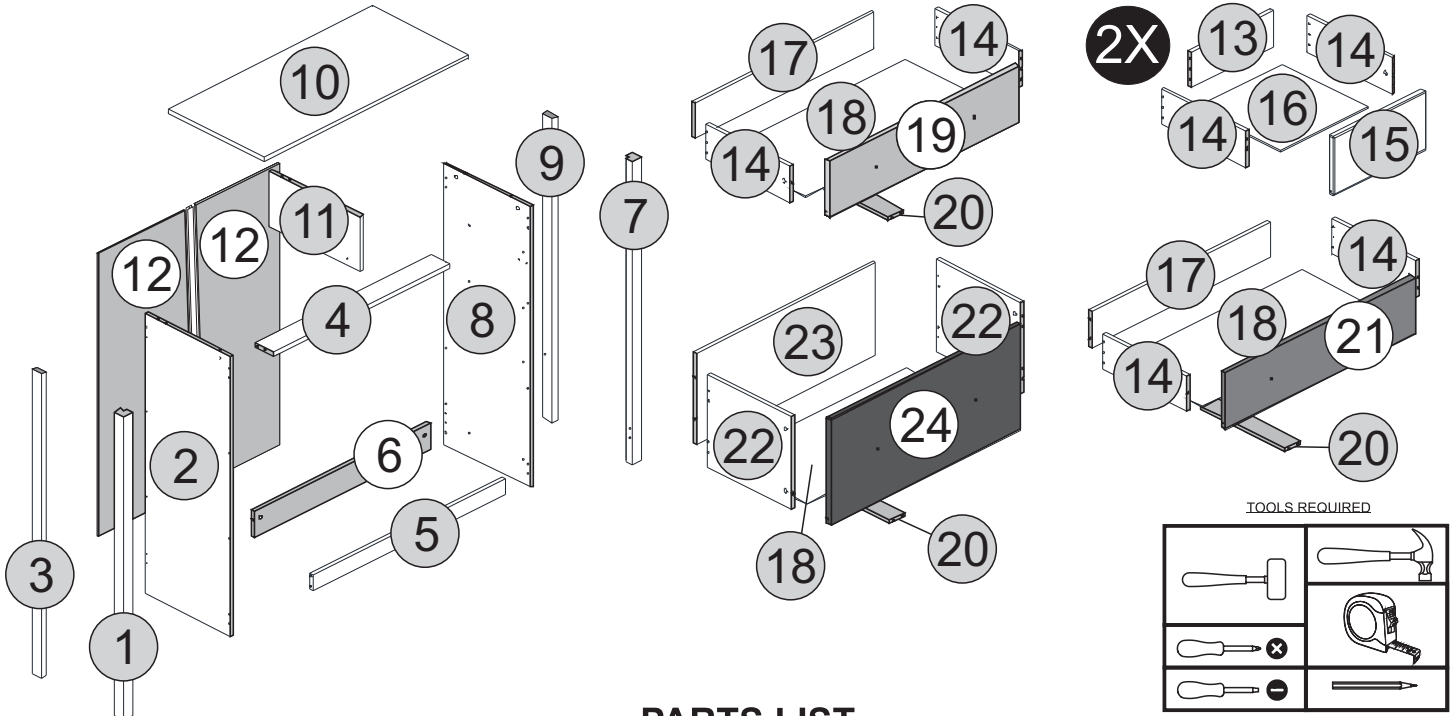
- Please ensure all fittings and parts are present before commencing with assembly.
- Never drag or push products as this could cause damage to the joints making it inferior.
- We strongly recommend that you keep children away from your work area.
- We recommend that you lay a blanket or sheet on the floor to avoid damage to both your floor and the product.
- Assemble this product as close to its final position as possible.
- Do not place this product next to a radiator or in direct sunlight.
- Do not drag or push items across your high gloss furniture as this may cause the surface to scratch
- Wood is a natural product and may expand if subjected to damp and may shrink or crack if subjected to heat. Therefore it is recommended that room temperature is maintained, with no sudden temperature fluctuations.
- Make sure any spillage is wiped off immediately.
- Do not place hot or chilled items directly on to the surface, use a place mat or marking will occur.
- For general cleaning use a soft cotton or micro fibre cloth, and do not use detergents of any kind.
- From time to time it may be necessary to tighten fittings, regular inspections should be carried out.
- Do not place on a wet or damp floor as staining may occur to your floor.



\* Use of power tools to assemble this product will invalidate any claim and could damage this product making it unsafe!!!  
\* Please assemble on a clean soft surface to avoid damage.



\* Please check contents and read the instructions before commencing assembly.  
\* Assemble this product following the enclosed instructions carefully.  
\* Please take care to avoid damaging parts during assembly.







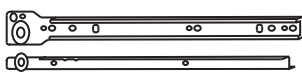
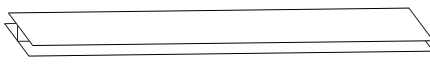
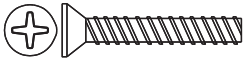
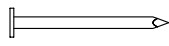



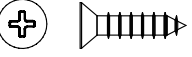

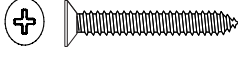




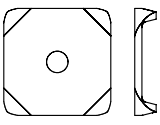
## PARTS LIST

### *Please Note:*

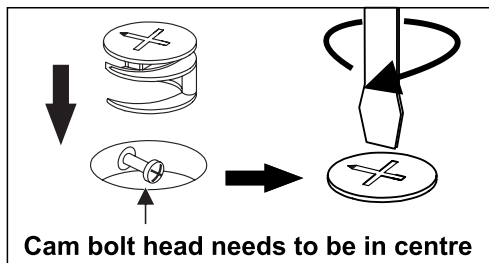
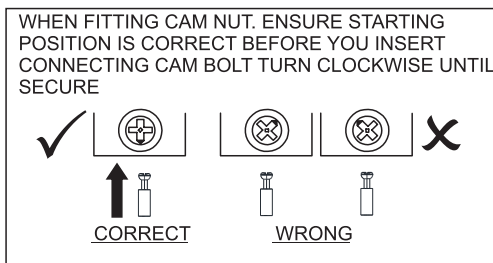
The below parts have all been stamped with the part number to help identify them during assembly.

Part Number	Part Code	Part Description	Quantity	Carton
1	S100-102-110-DV1-01	Front Left Upright	1	1/2
2	S100-102-110-DV1-02	Left Side Panel	1	1/2
3	S100-102-110-DV1-03	Left Rear Upright	1	1/2
4	S100-102-110-DV1-04	Top Crossbeam	1	2/2
5	S100-102-110-DV1-05	Front Crossbeam	1	1/2
6	S100-102-110-DV1-06	Back Crossbeam	1	2/2
7	S100-102-110-DV1-07	Right Front Upright	1	1/2
8	S100-102-110-DV1-08	Right Side Panel	1	1/2
9	S100-102-110-DV1-09	Rear Right Upright	1	1/2
10	S100-102-110-DV1-10	Top Panel	1	1/2
11	S100-102-110-DV1-11	Division Panel	1	2/2
12	S100-102-110-DV1-12	Back Panel	2	1/2
13	S100-102-110-DV1-13	Small Drawer Back	2	2/2
14	S100-102-110-DV1-14	Small Drawer Side	8	2/2
15	S100-102-110-DV1-15	Drawer Front (White)	2	1/2
16	S100-102-110-DV1-16	Small Drawer Bottom	2	2/2
17	S100-102-110-DV1-17	Medium Drawer Back	2	2/2
18	S100-102-110-DV1-18	Large Drawer Bottom	3	2/2
19	S100-102-110-DV1-19	Drawer Front (Ice)	1	1/2
20	S100-102-110-DV1-20	Drawer Crossbar	3	2/2
21	S100-102-110-DV1-21	Drawer Front (Light Grey)	1	1/2
22	S100-102-110-DV1-22	Large Drawer Side	2	2/2
23	S100-102-110-DV1-23	Large Drawer Back	1	2/2
24	S100-102-110-DV1-24	Drawer Front (Dark Grey)	1	1/2

### FITTINGS LIST

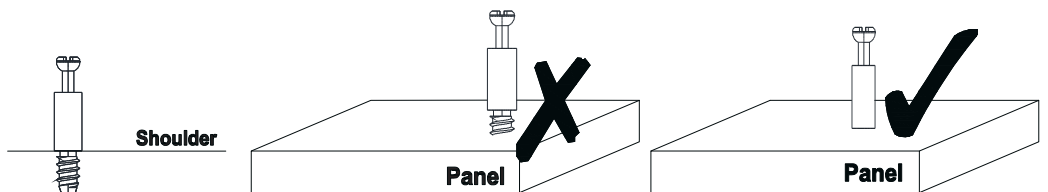
<b>A</b>  Glue (3x)	<b>B</b>  Dowel Ø6,0 x 30mm (67x) 2/+	<b>C</b>  Flat Head Screw Ø4,0 x 40mm (13x) 1/+	<b>D</b>  Handle(8x)
<b>E</b>  Slide (5x)	<b>F</b>  Plastic profile 657mm (1x)	<b>G</b>  CH PHS ZP 3/16X3/4 (8x)	
<b>H</b>  Nail 10 x 10 (69x) 5/+	<b>I</b>  Cam Nut (24x) 1/+	<b>J</b>  Cam Bolt (24x) 1/+	<b>K</b>  Screw Ø 6x8 (20x) 1/+
<b>M</b>  Flat Head Screw Ø3,5 x 14mm (20x) 2/+	<b>N</b>  Hole Plugs (12x) 2/+	<b>O</b>  Flat Head Screw Ø3,5 x 25mm (22x) 2/+	
<b>P</b>  Ø3,5x25 <b>01</b>  <b>Anti-tip strap 01</b>		 <b>Washer 02 (1X)</b>	
<b>Q</b>  Flat Head Screw Ø3,5 x 10mm (6x) 1/+	<b>R</b>  Back Panel Bracket (3x) 1/+		

### TIPS FOR FITTINGS CAM-LOCKS



#### CAMBOLT

Tighten until shoulder in flush with panel. Do not overtighten or undertighten (see example beside)


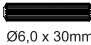


# STEP 1

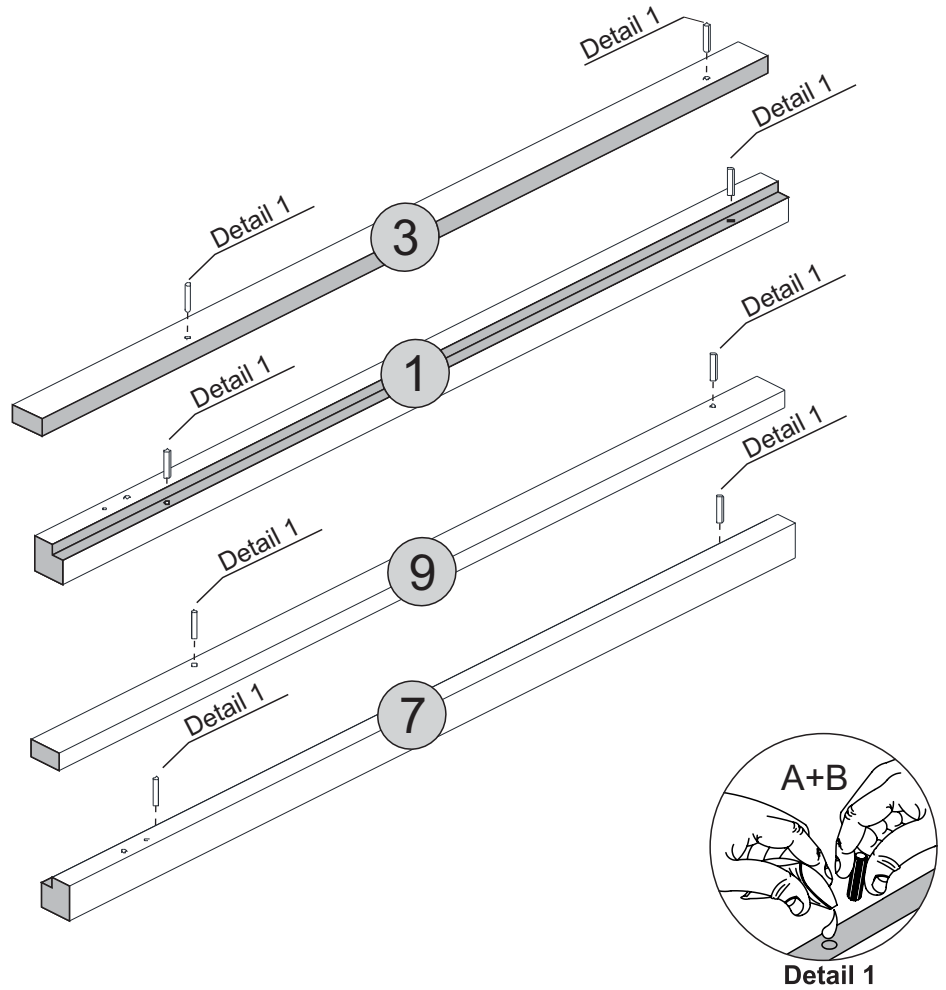
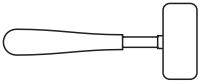
## PARTS REQUIRED

- 1 - FRONT LEFT UPRIGHT x1
- 3 - LEFT REAR UPRIGHT x1
- 7 - RIGHT FRONT UPRIGHT x1
- 9 - REAR RIGHT UPRIGHT x1

## HARDWARE REQUIRED

- A  01
- B  Ø6,0 x 30mm 08

## TOOLS REQUIRED


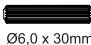


# STEP 2

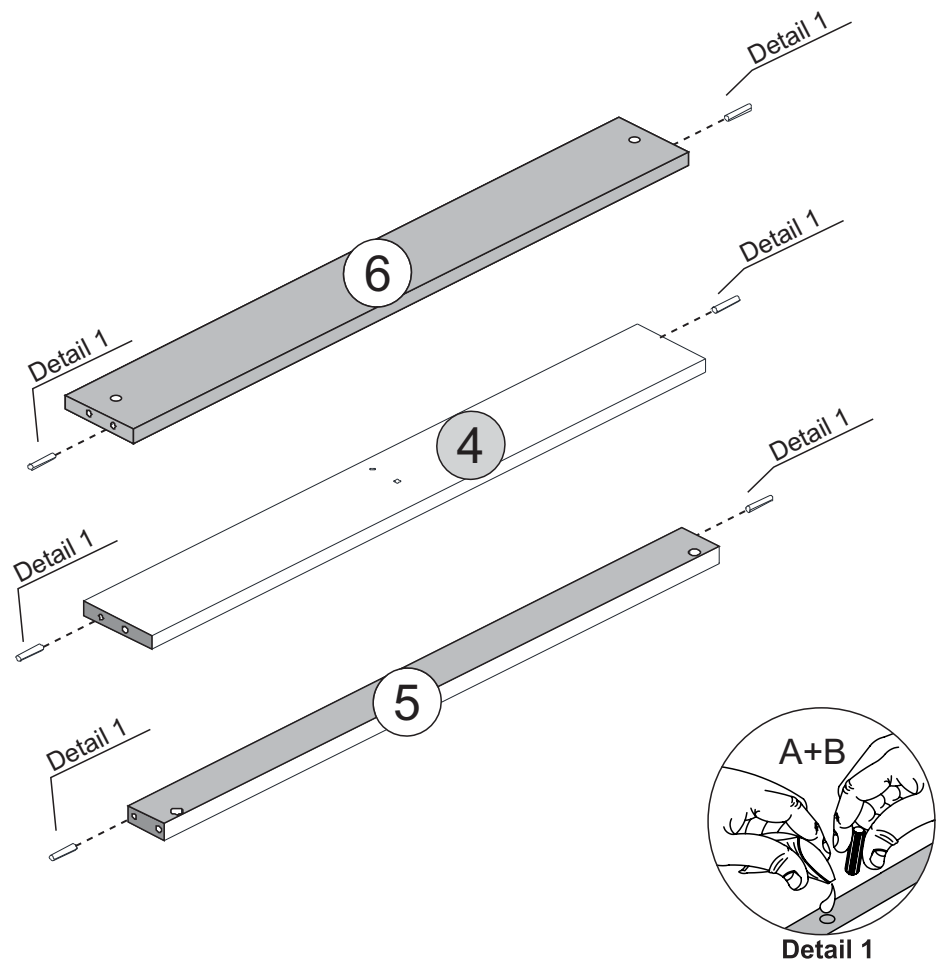
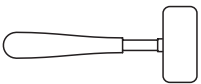
## PARTS REQUIRED

- 4 - TOP CROSSBEAM x1
- 5 - FRONT CROSSBEAM x1
- 6 - BACK CROSSBEAM x1

## HARDWARE REQUIRED

- A  01
- B  Ø6,0 x 30mm 06

## TOOLS REQUIRED




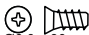


# STEP 3

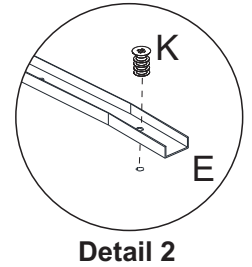
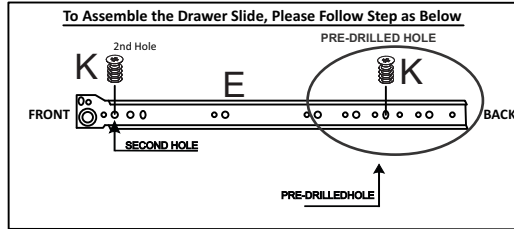
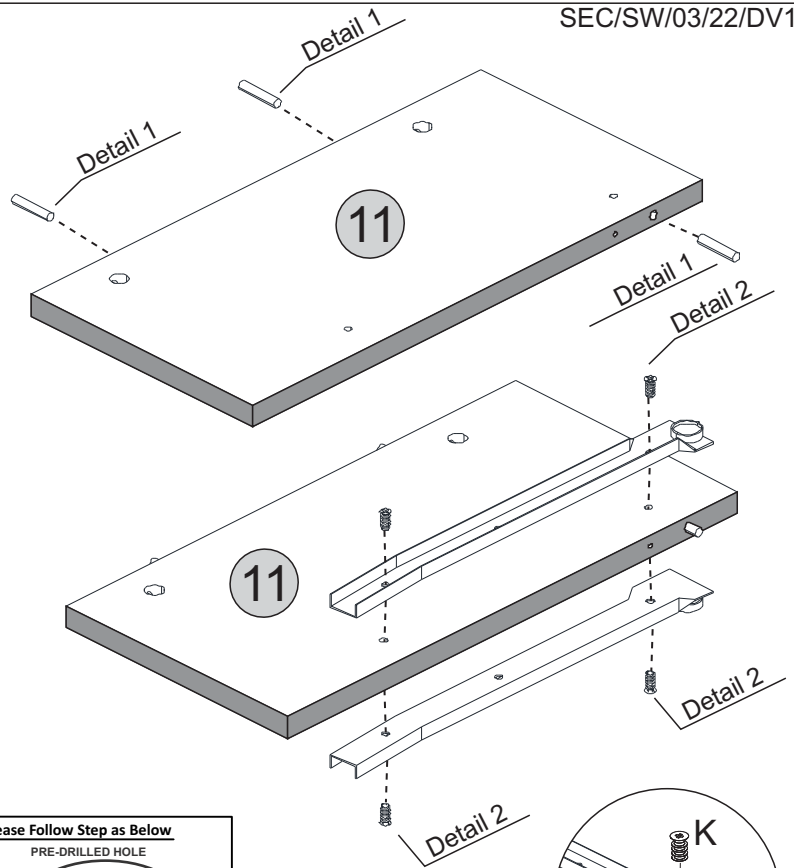
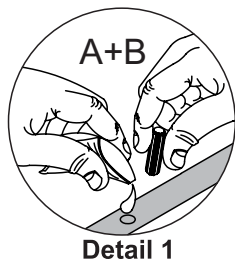
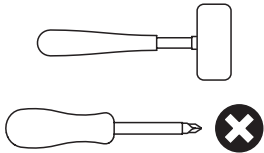
## PARTS REQUIRED

11 - DIVISION PANEL x1

## HARDWARE REQUIRED

- A  01
- B  Ø6,0 x 30mm 03
- E  01
- K  Ø6,0 x 30mm 04

## TOOLS REQUIRED



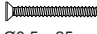
# STEP 4

## PARTS REQUIRED

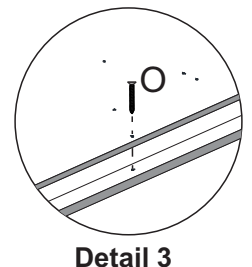
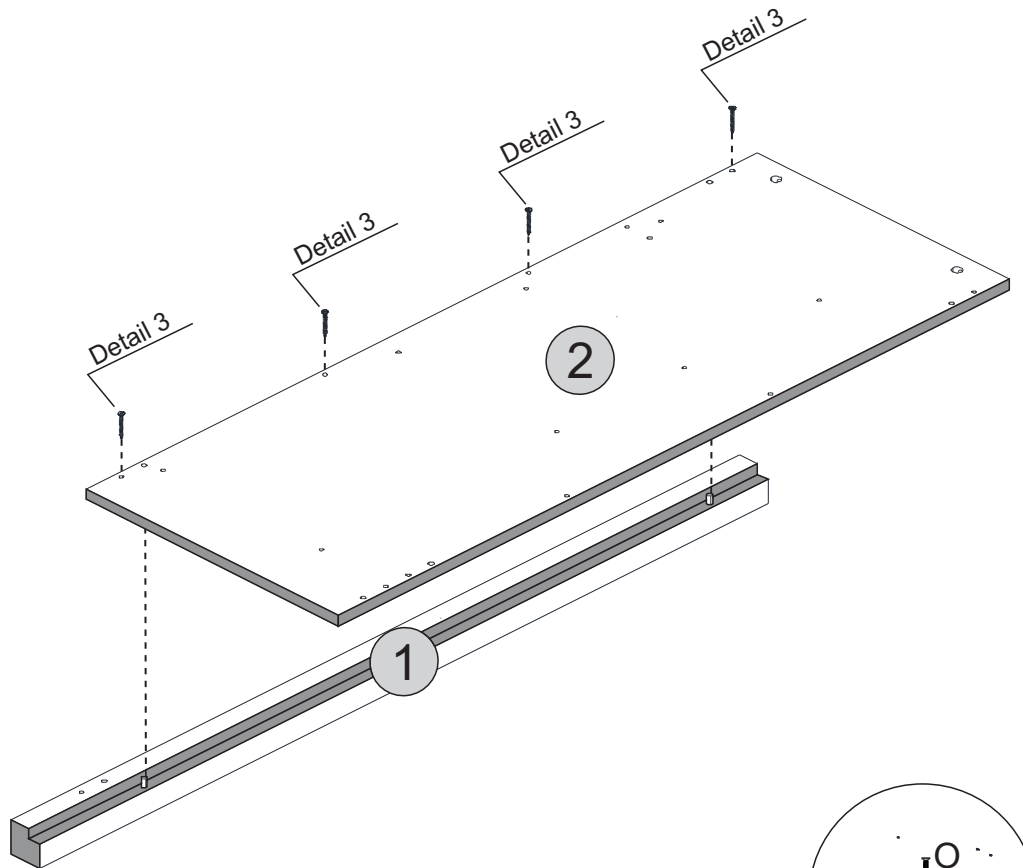
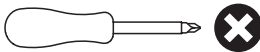
1 - FRONT LEFT UPRIGHT x1

2 - LEFT SIDE PANEL x1

## HARDWARE REQUIRED

- O  Ø3,5 x 25mm 04

## TOOLS REQUIRED



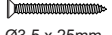
# STEP 5

## PARTS REQUIRED

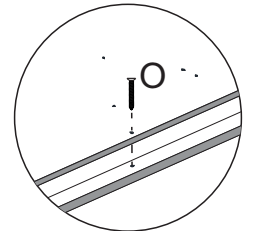
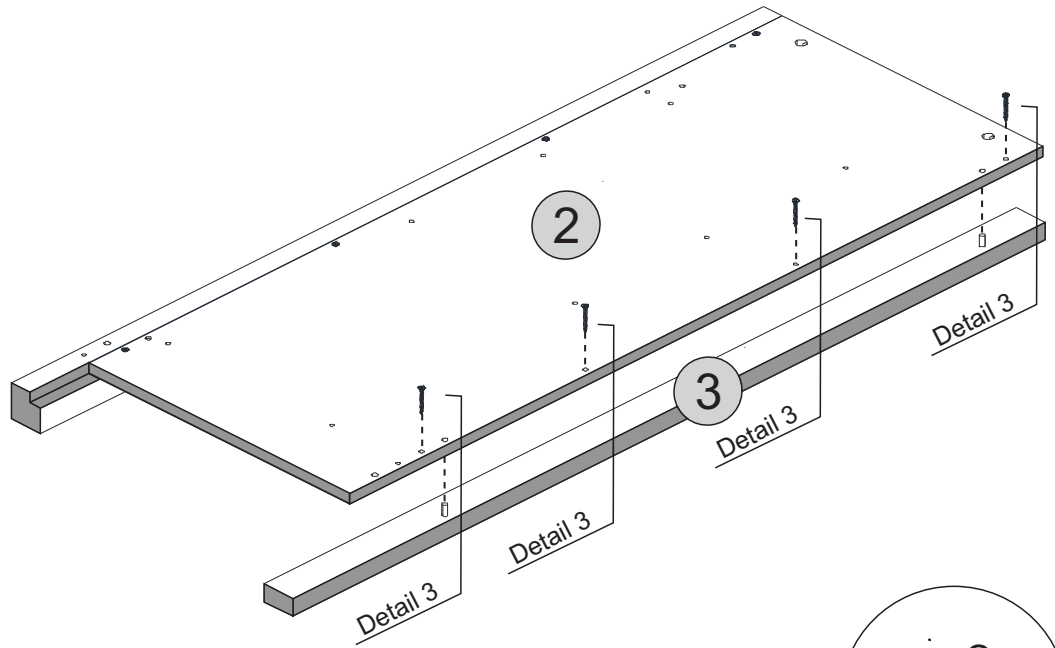
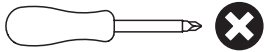
2 - LEFT SIDE PANEL x1

3 - LEFT REAR UPRIGHT x1

## HARDWARE REQUIRED

O  04  
Ø3,5 x 25mm

## TOOLS REQUIRED



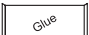
Detail 3

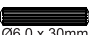
# STEP 6


## PARTS REQUIRED

2 - LEFT SIDE PANEL x1

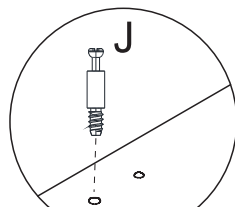
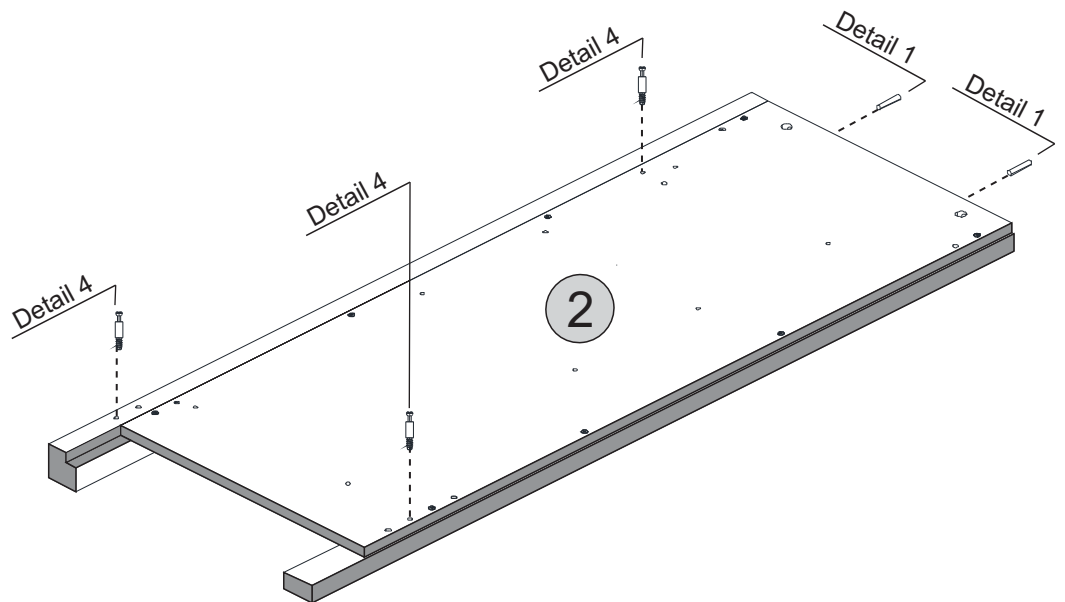
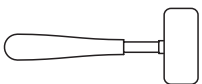
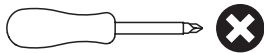
## HARDWARE REQUIRED

A  01  
Glue

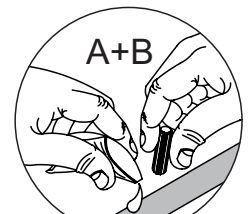
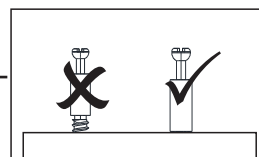
B  02  
Ø6,0 x 30mm

J  03

## TOOLS REQUIRED



Detail 4



Detail 1

# STEP 7

## PARTS REQUIRED

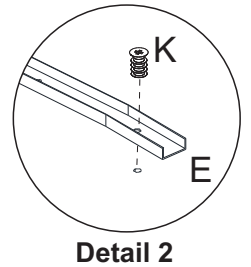
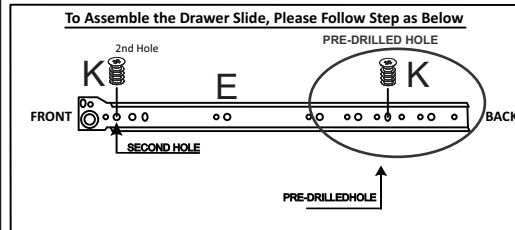
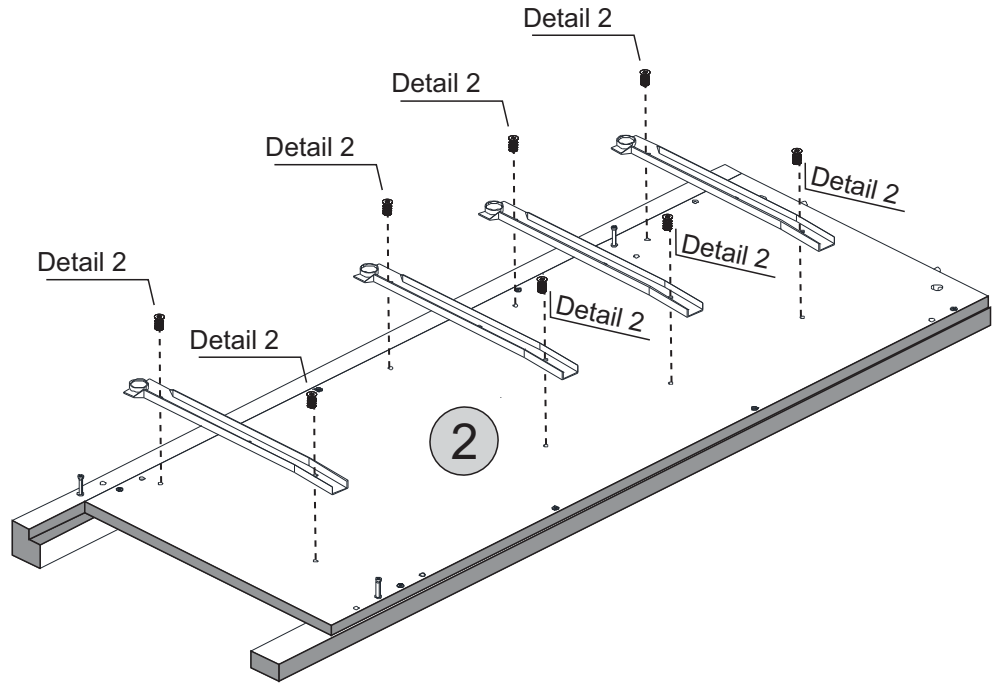
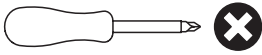
2 - LEFT SIDE PANEL x1

## HARDWARE REQUIRED

E  04

K  08  
Ø6,0 x 30mm

## TOOLS REQUIRED



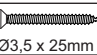
# STEP 8

## PARTS REQUIRED

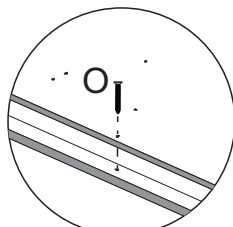
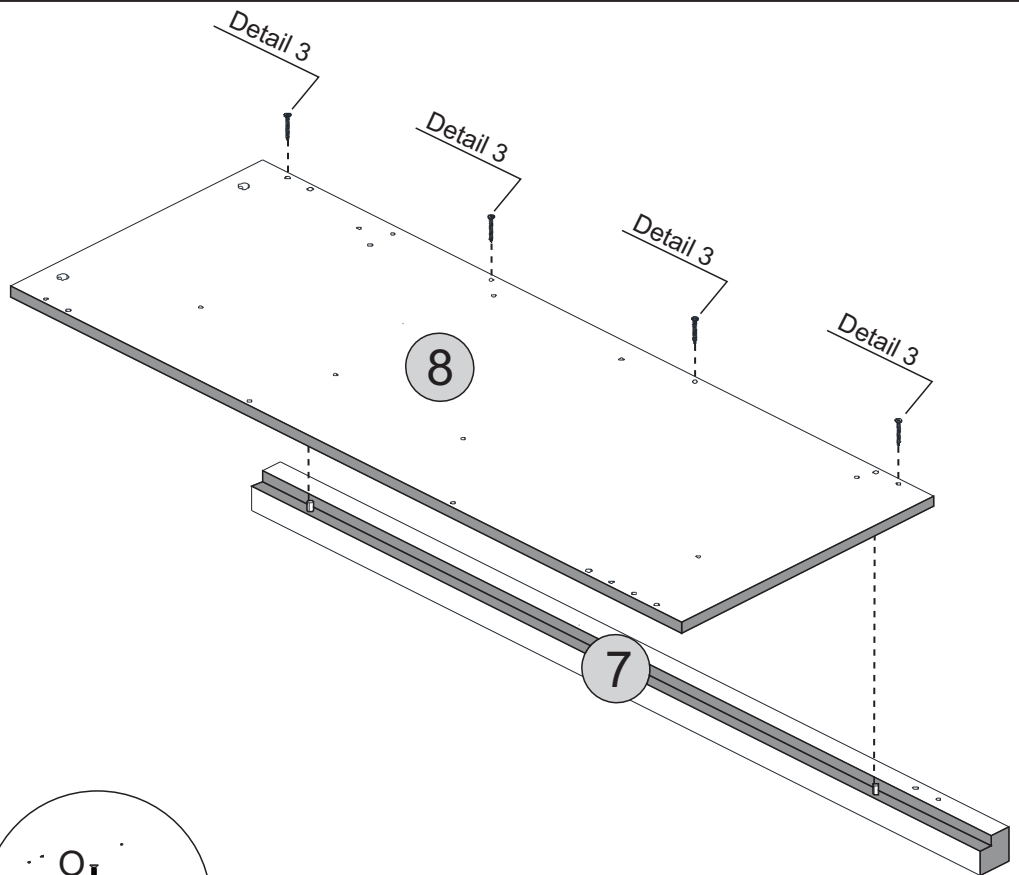
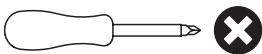
7 - RIGHT FRONT UPRIGHT x1

8 - RIGHT SIDE PANEL x1

## HARDWARE REQUIRED

O  04  
Ø3,5 x 25mm

## TOOLS REQUIRED



**Detail 3**

# STEP 9

## PARTS REQUIRED

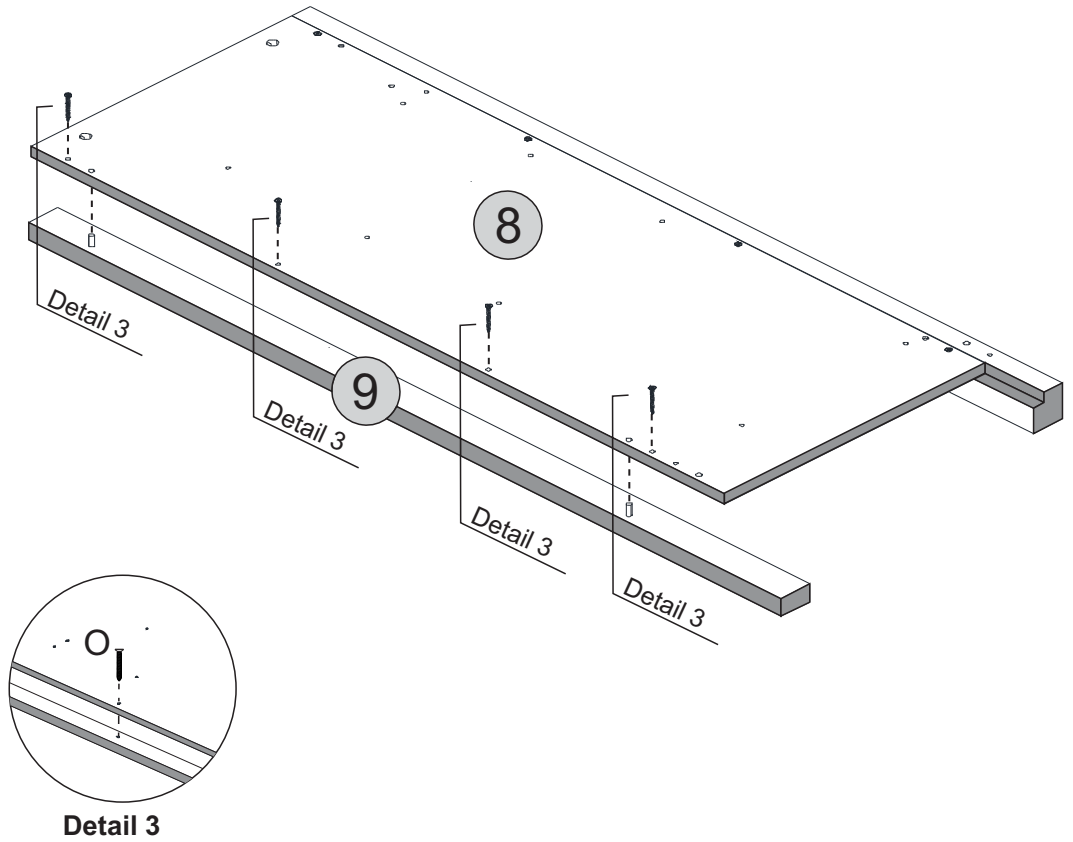
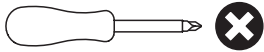
8 - RIGHT SIDE PANEL x1

9 - RIGHT REAR UPRIGHT x1

## HARDWARE REQUIRED

Ø3,5 x 25mm 04

## TOOLS REQUIRED



# STEP 10

## PARTS REQUIRED

8 - RIGHT SIDE PANEL x1

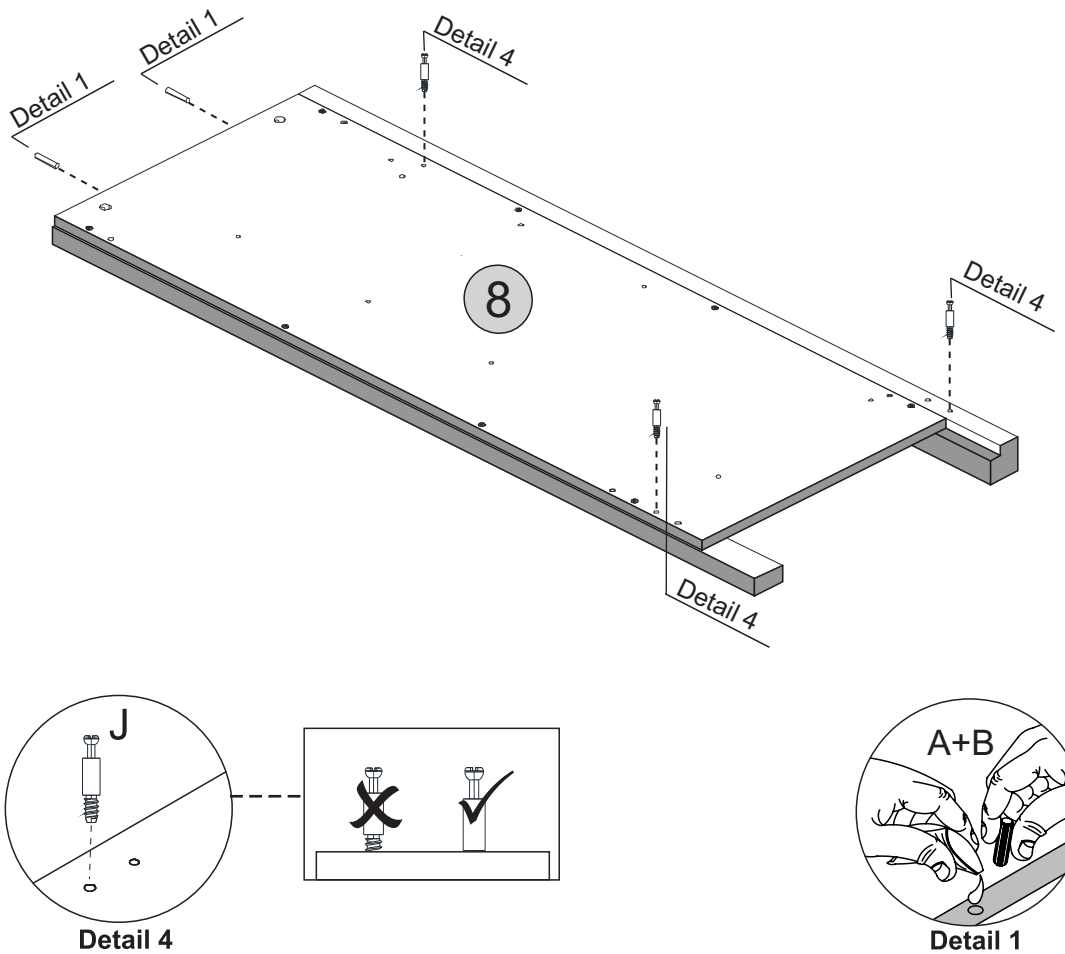
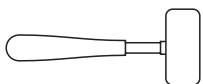
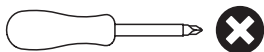
## HARDWARE REQUIRED

A Glue 01

B Ø6,0 x 30mm 02

J 03

## TOOLS REQUIRED





# STEP 11

## PARTS REQUIRED

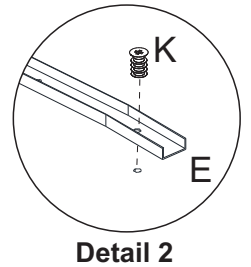
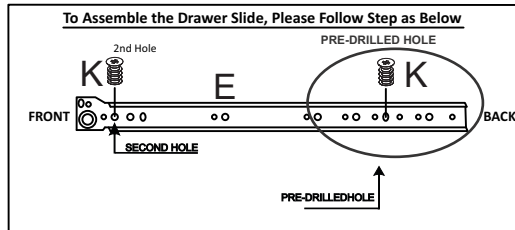
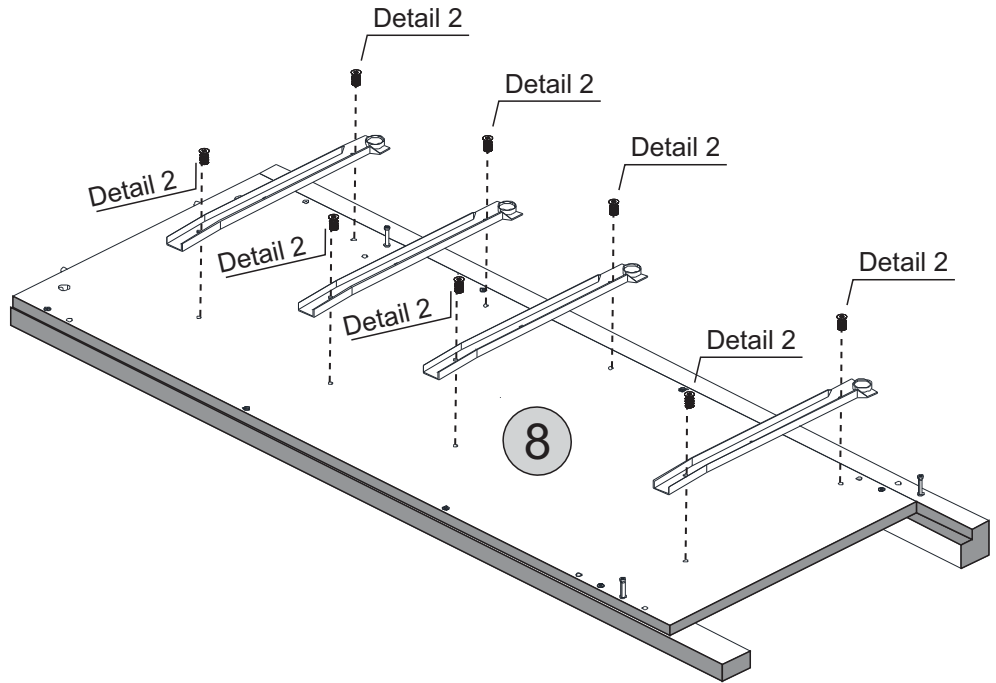
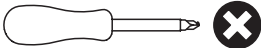
8 - RIGHT SIDE PANEL x1

## HARDWARE REQUIRED

E  04

K  08  
Ø6.0 x 30mm

## TOOLS REQUIRED



# STEP 12

## PARTS REQUIRED

2 - LEFT SIDE PANEL x1

4 - TOP CROSSBEAM x1

5 - FRONT CROSSBEAM x1

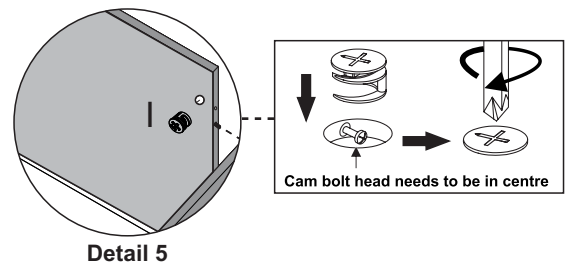
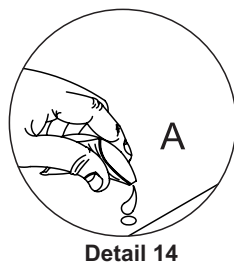
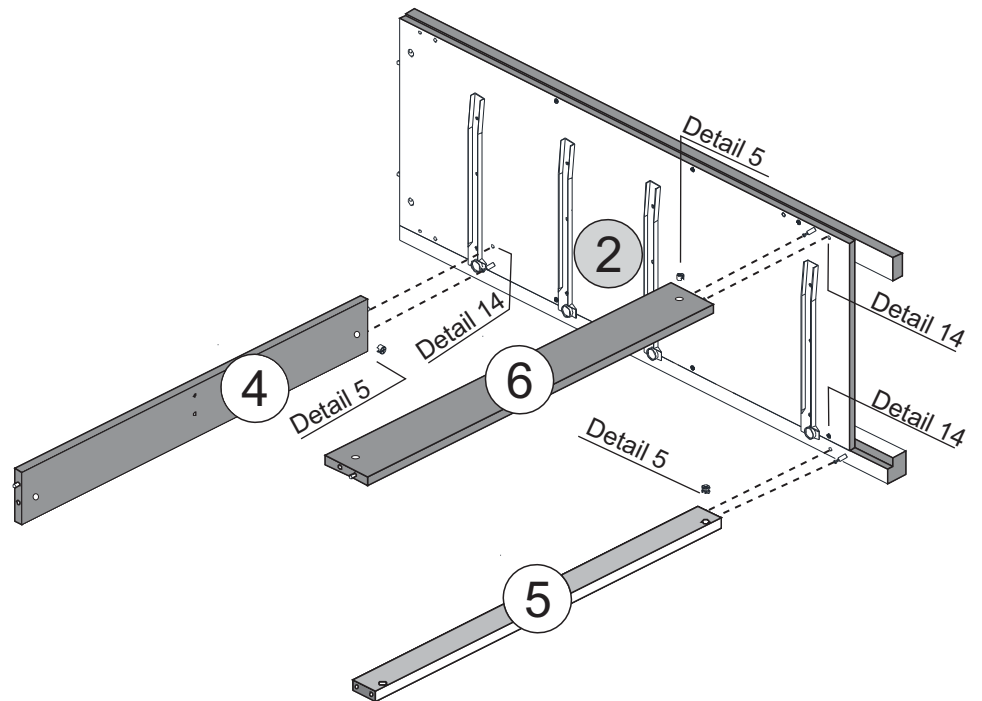
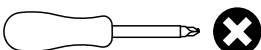
6 - BACK CROSSBEAM x1

## HARDWARE REQUIRED

A  01

I  03

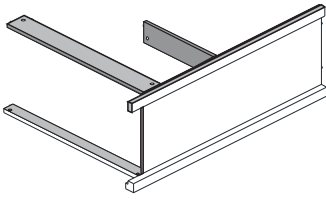
## TOOLS REQUIRED



# STEP 13

## PARTS REQUIRED

8 - RIGHT SIDE PANEL x1

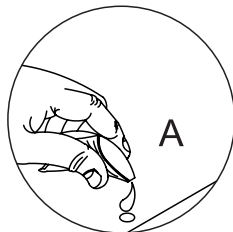
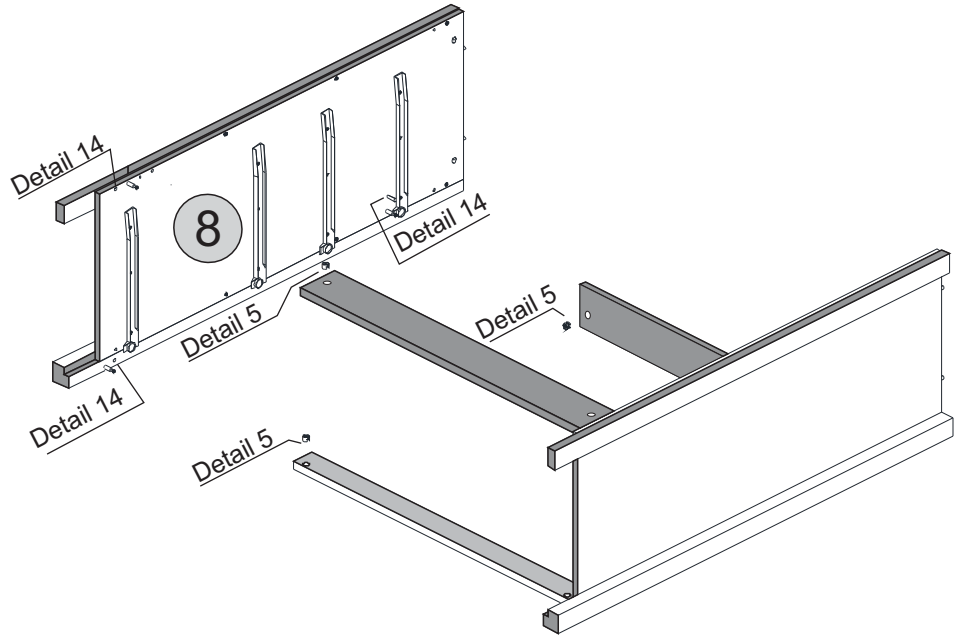
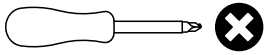


## HARDWARE REQUIRED

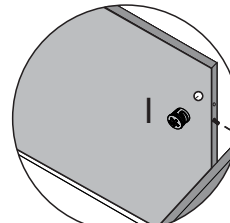
A  01

I  03

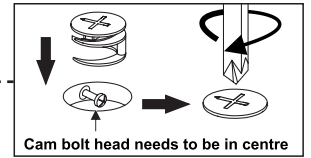
## TOOLS REQUIRED



Detail 14



Detail 5



Cam bolt head needs to be in centre

# STEP 14

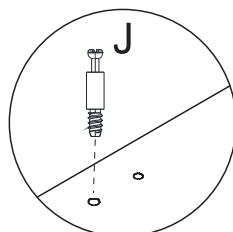
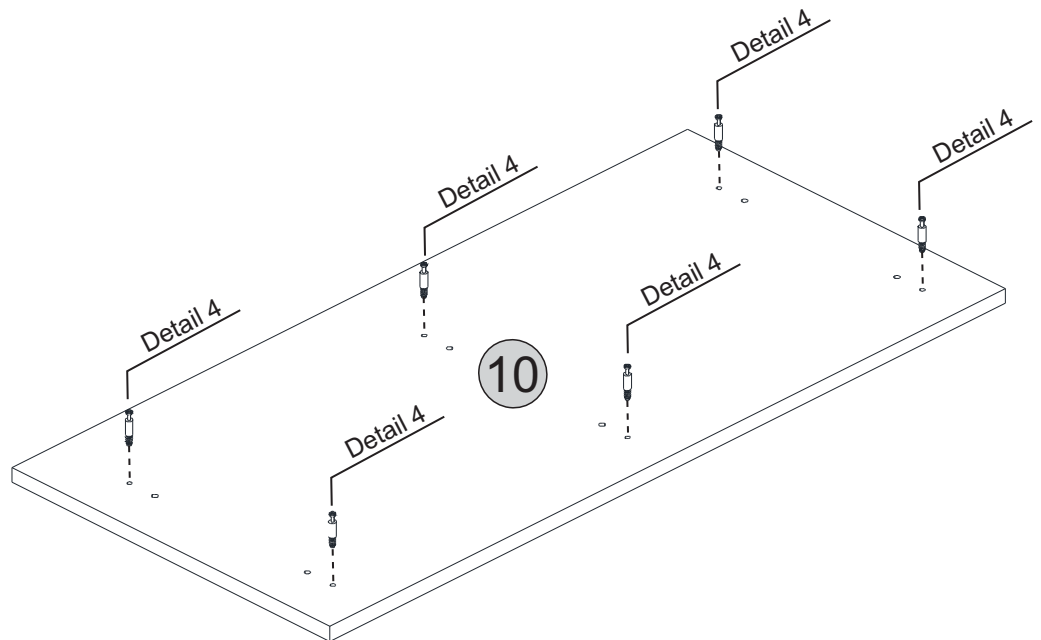
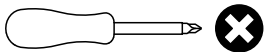
## PARTS REQUIRED

10 - TOP PANEL x1

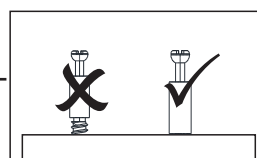
## HARDWARE REQUIRED

J  06

## TOOLS REQUIRED



Detail 4





# STEP 15

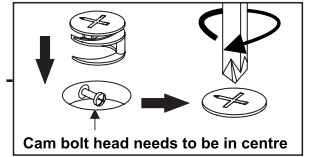
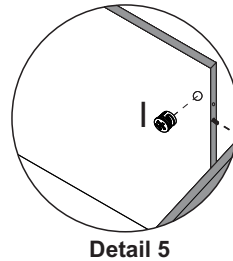
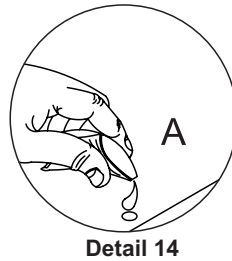
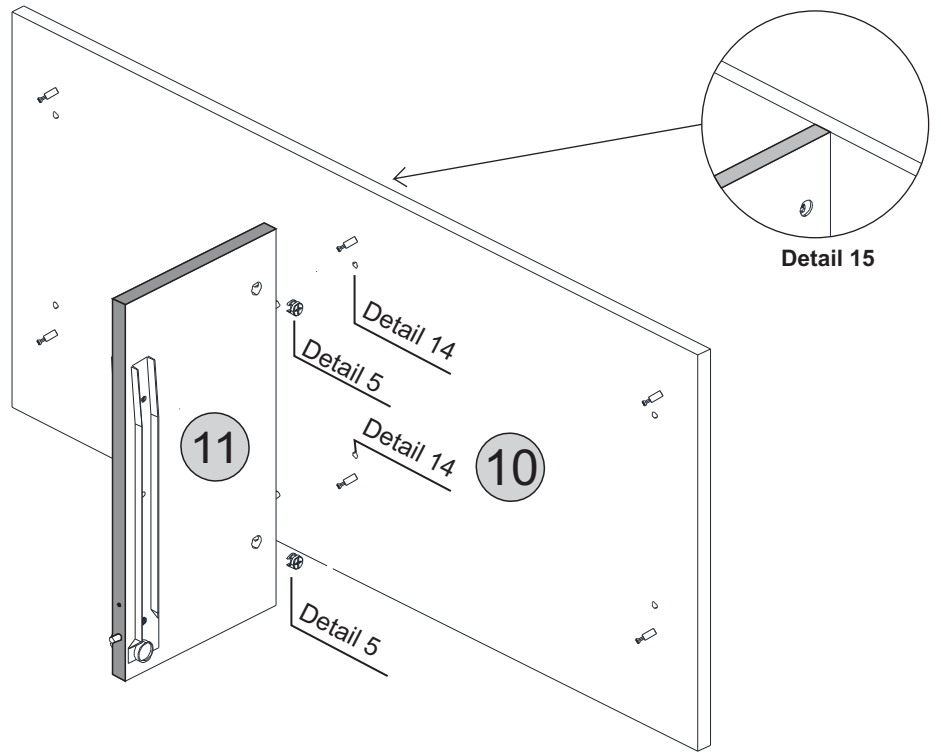
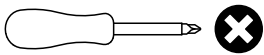
## PARTS REQUIRED

10 - TOP PANEL	x1
11 - DIVISION PANEL	x1

## HARDWARE REQUIRED

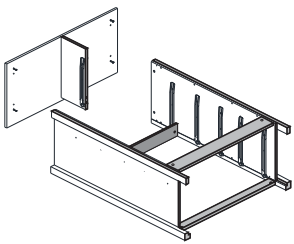
A		01
I		02

## TOOLS REQUIRED






# STEP 16

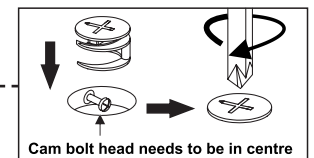
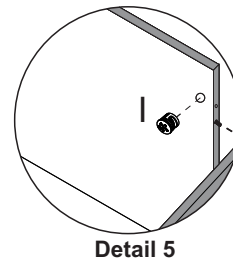
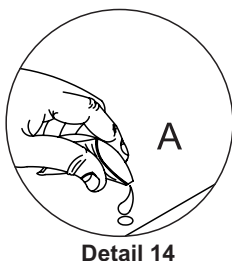
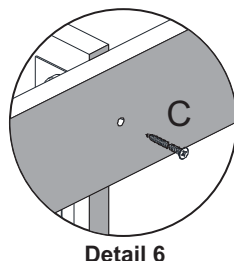
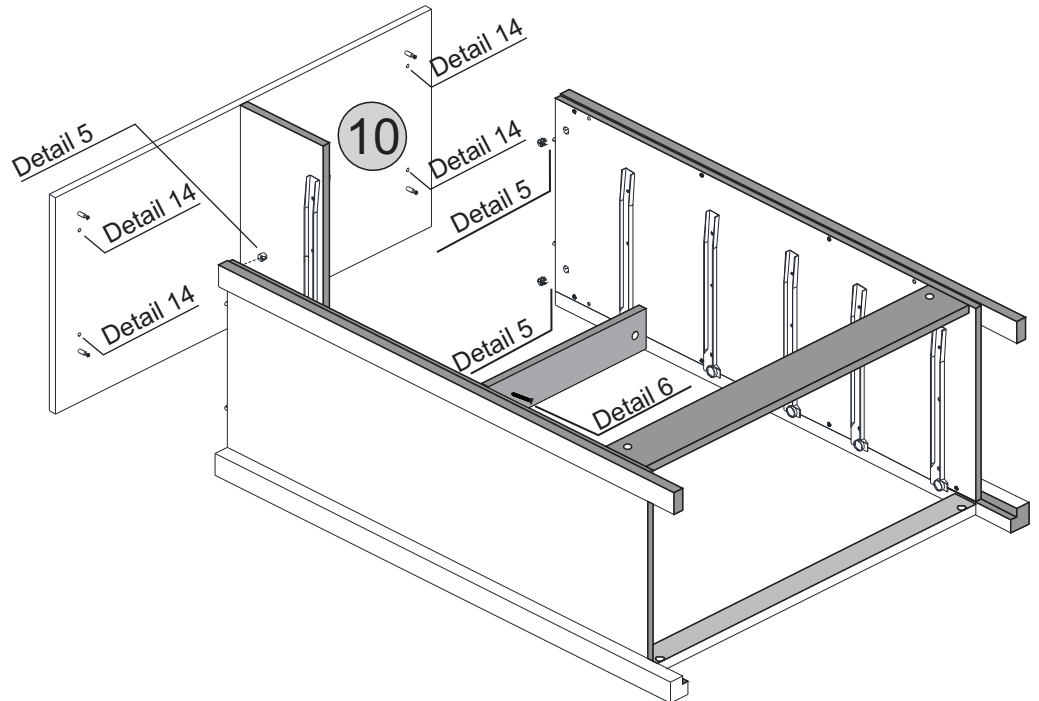
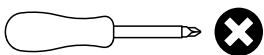
## PARTS REQUIRED



## HARDWARE REQUIRED

A		01
C		01
I		04

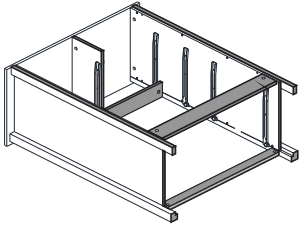
## TOOLS REQUIRED



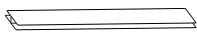
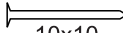

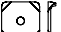
# STEP 17

## PARTS REQUIRED

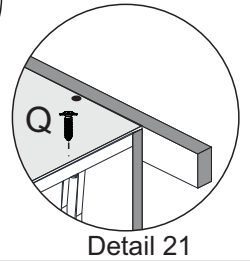
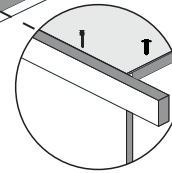
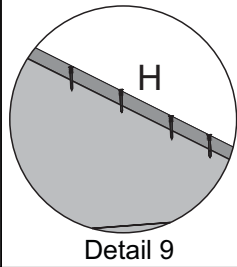
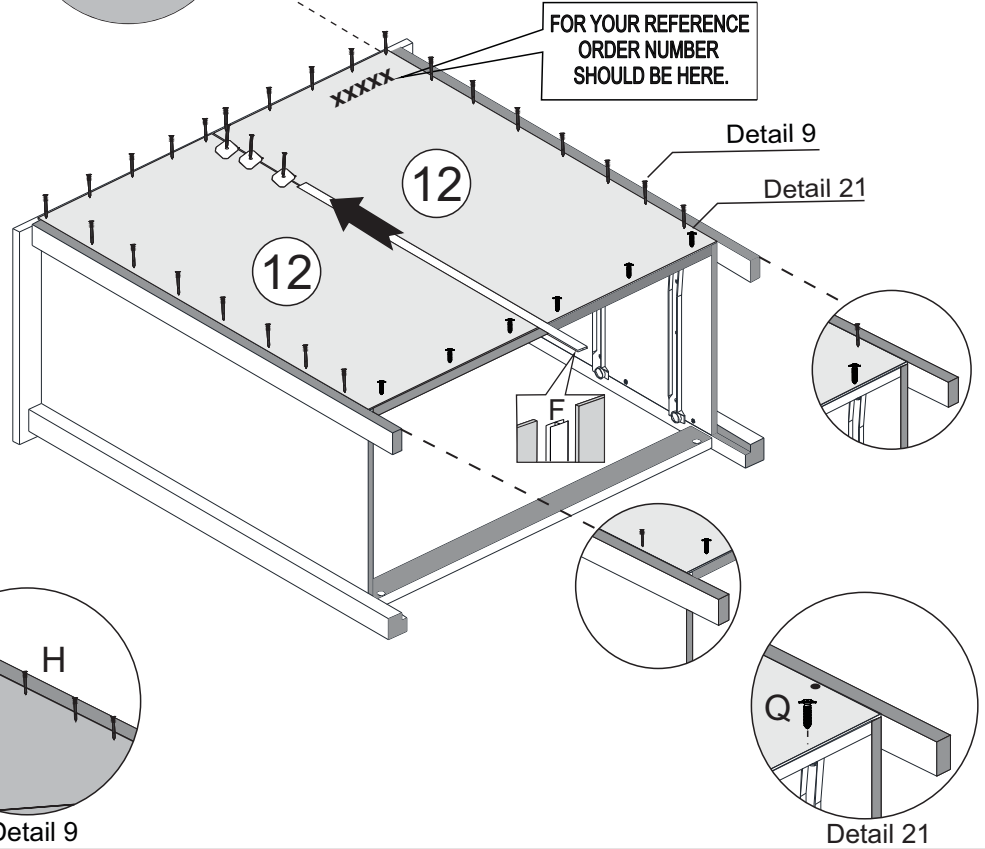
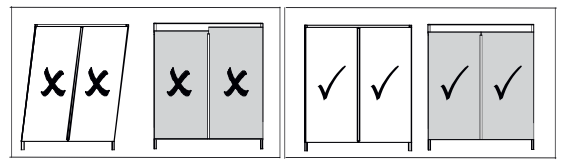
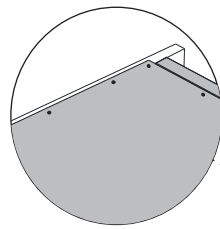
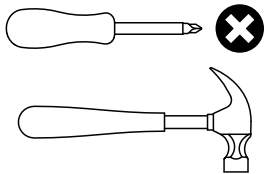
12 - BACK PANEL x1



## HARDWARE REQUIRED

- F  01
- H  27
- Q  06  
Ø3,5 x 10mm
- R  03

## TOOLS REQUIRED

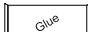



# STEP 18

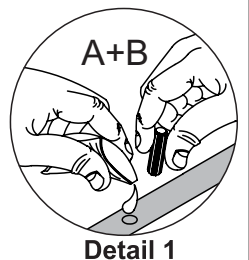
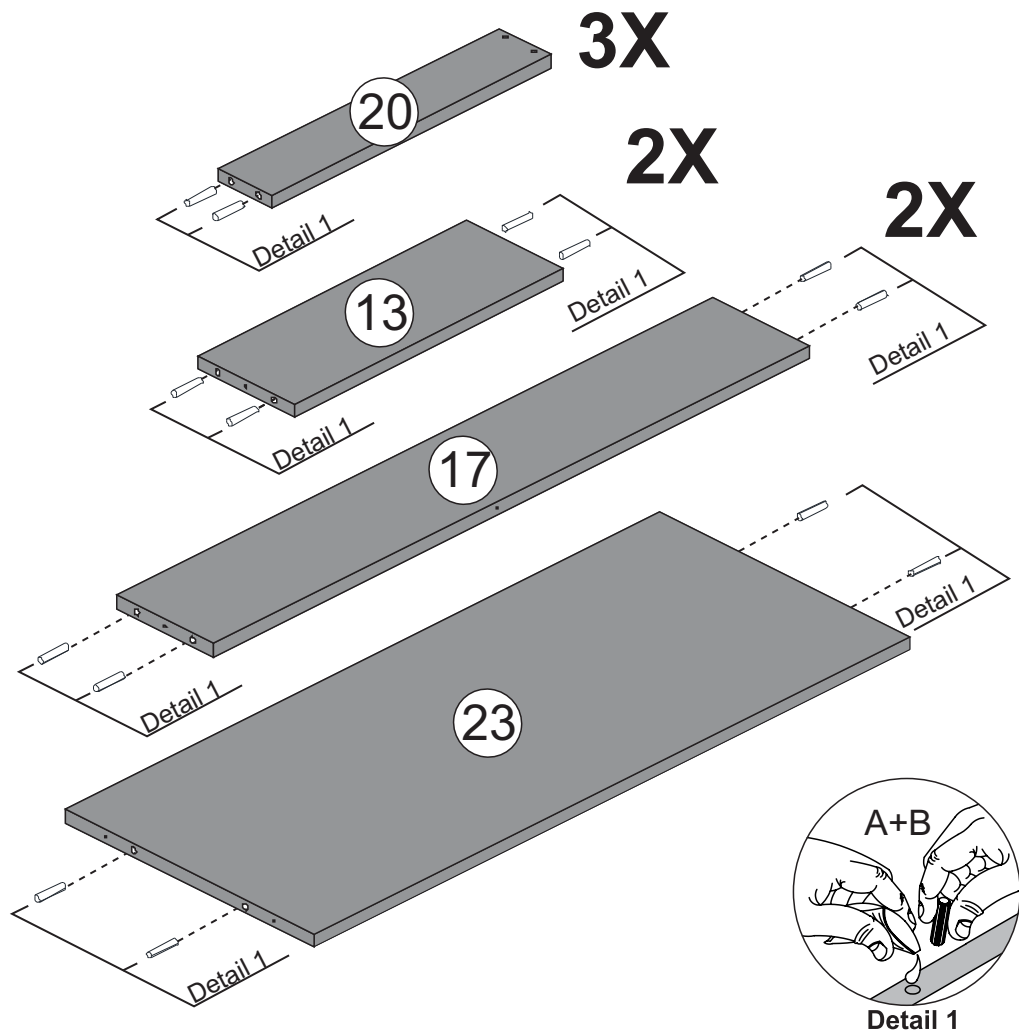
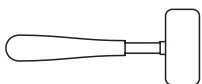
## PARTS REQUIRED

- 13 - SMALL DRAWER BACK x2
- 17 - MEDIUM DRAWER BACK x2
- 20 - DRAWER CROSSBAR x3
- 23 - LARGE DRAWER BACK x1

## HARDWARE REQUIRED

- A  01
- B  26  
Dowel Ø6,0 x 30mm (68x)

## TOOLS REQUIRED



# STEP 19

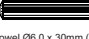
## PARTS REQUIRED

14 - SMALL DRAWER SIDE x8

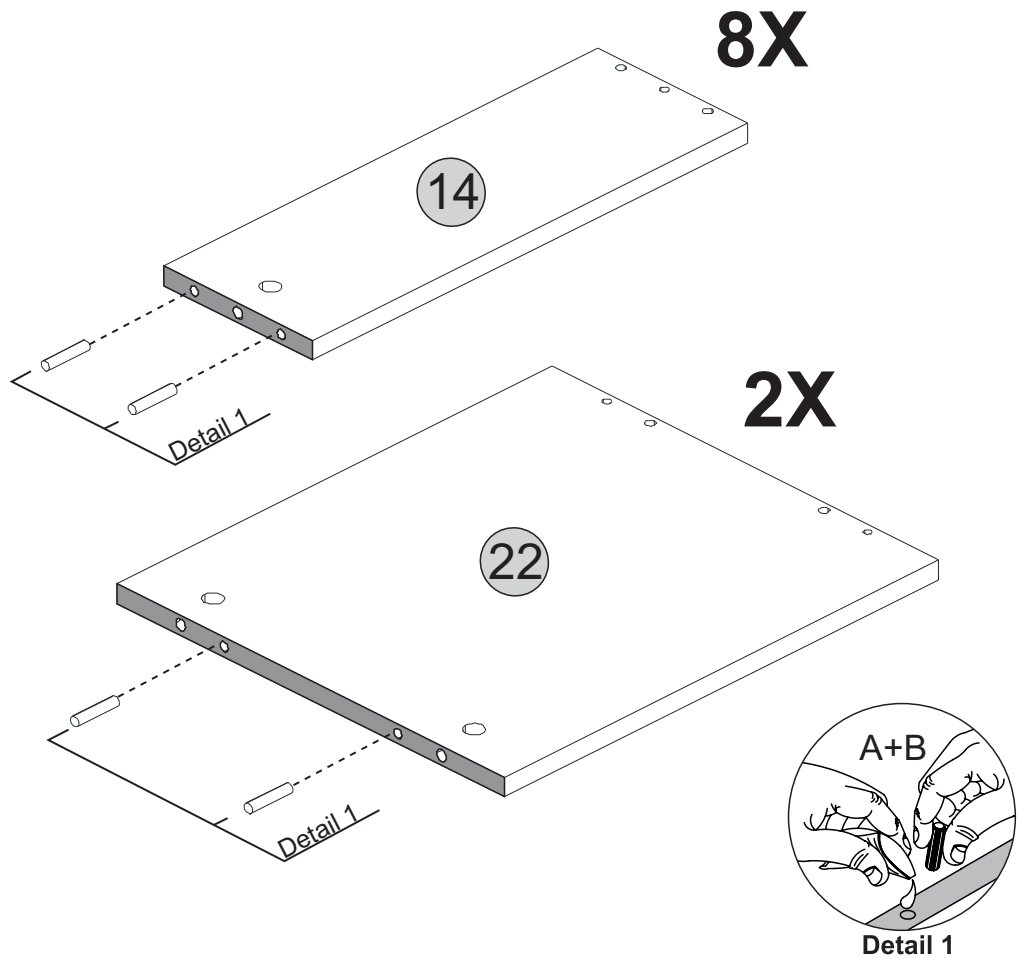
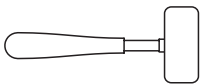
22 - LARGE DRAWER SIDE x2

## HARDWARE REQUIRED

A  01

B  20  
Dowel Ø6,0 x 30mm (68x)

## TOOLS REQUIRED



# STEP 20

## PARTS REQUIRED


15 - DRAWER FRONT (WHITE) x1

19 - DRAWER FRONT (ICE) x1

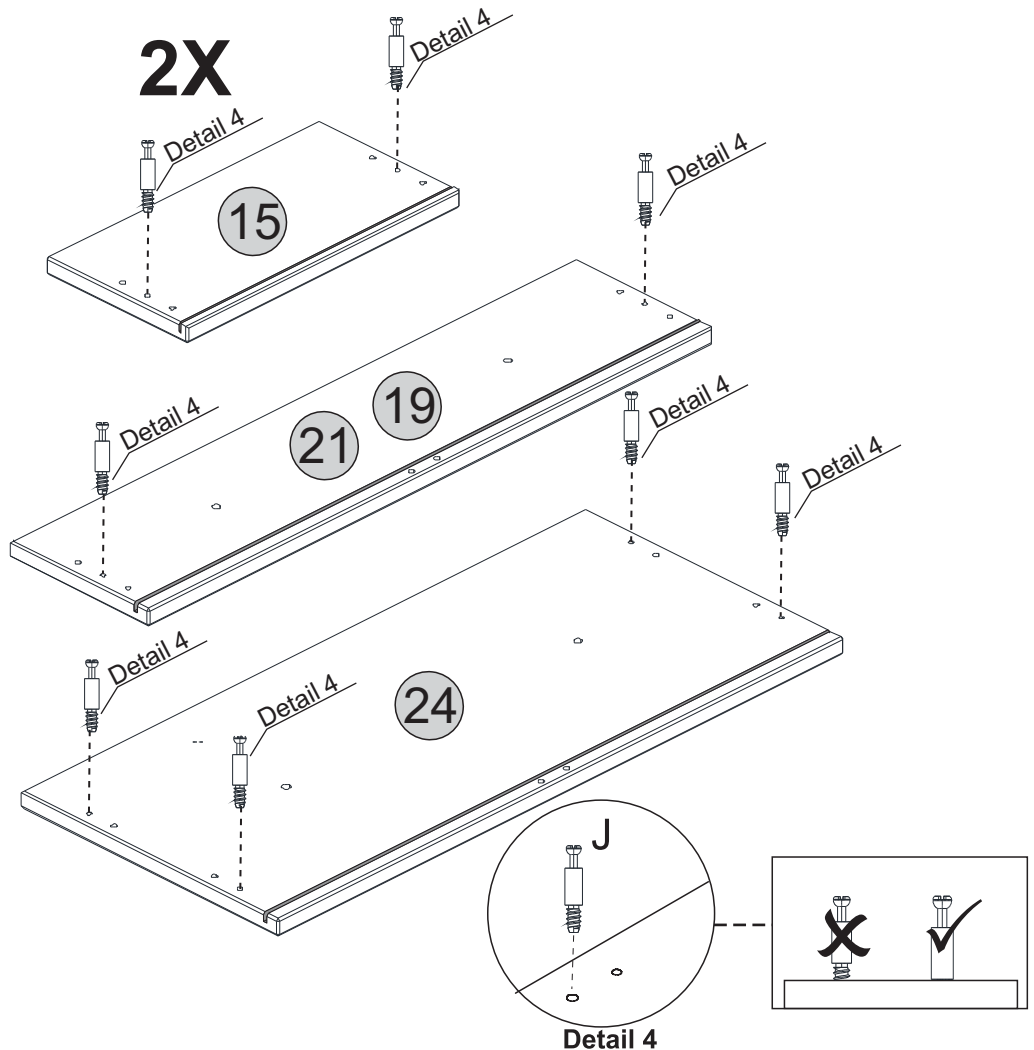
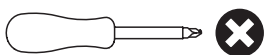
21 - DRAWER FRONT (LIGHT GREY) x1

24 - DRAWER FRONT (DARK GREY) x1

## HARDWARE REQUIRED

J  12

## TOOLS REQUIRED



# STEP 21

## PARTS REQUIRED

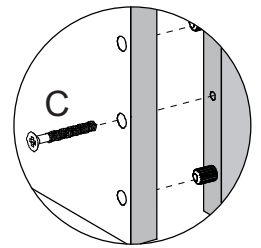
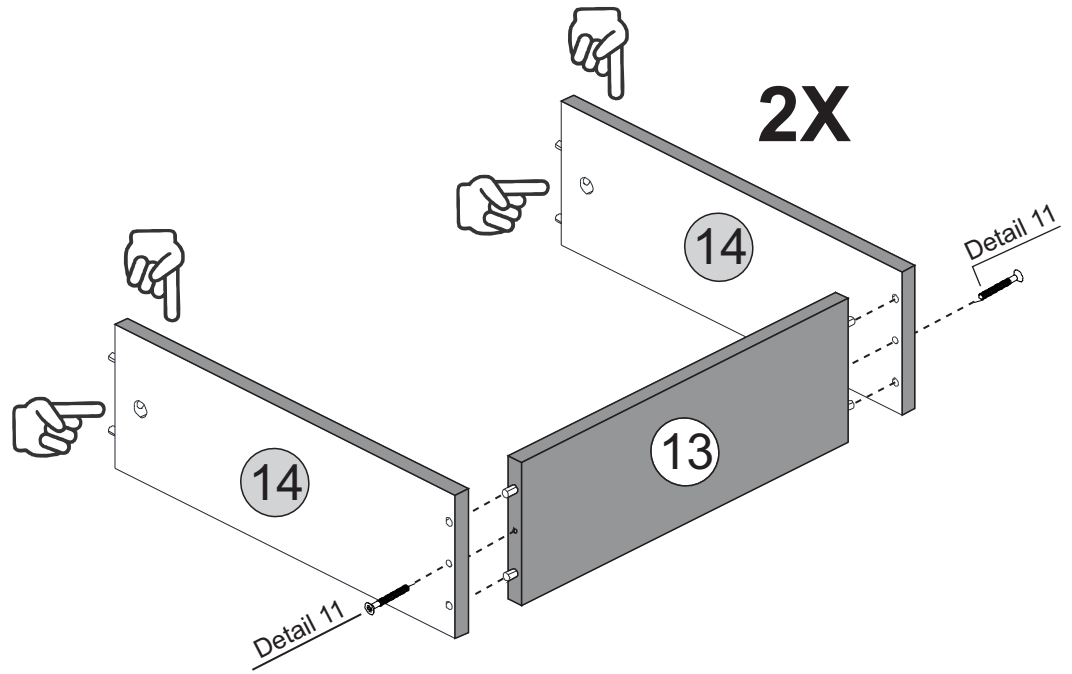
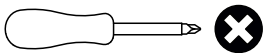
13 - SMALL DRAWER BACK x2

14 - SMALL DRAWER SIDE x4

## HARDWARE REQUIRED

C  04

## TOOLS REQUIRED



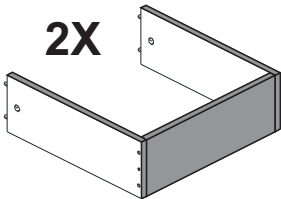
Detail 11

# STEP 22

## PARTS REQUIRED

15 - DRAWER FRONT (WHITE) x2

2X



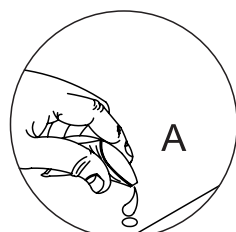
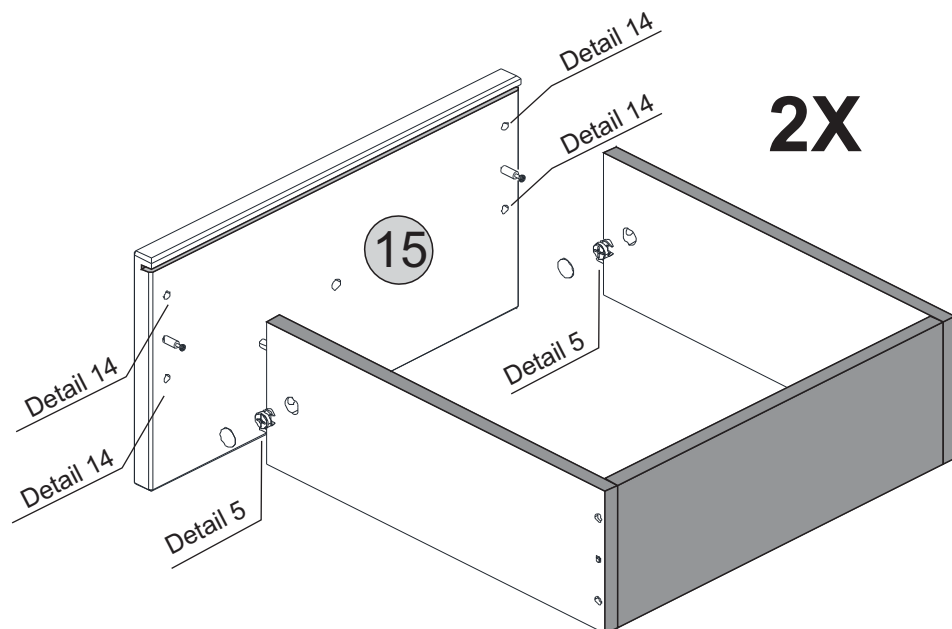
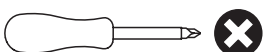
## HARDWARE REQUIRED

A  01

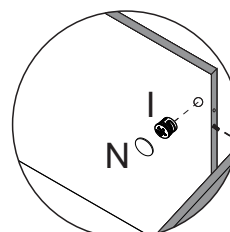
I  04

N  04

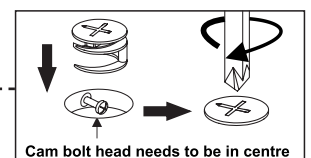
## TOOLS REQUIRED



Detail 14



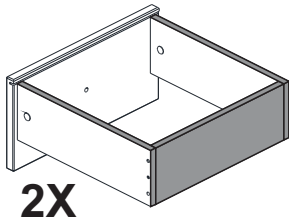
Detail 5



# STEP 23

**PARTS REQUIRED**

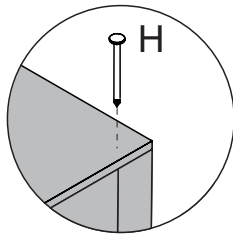
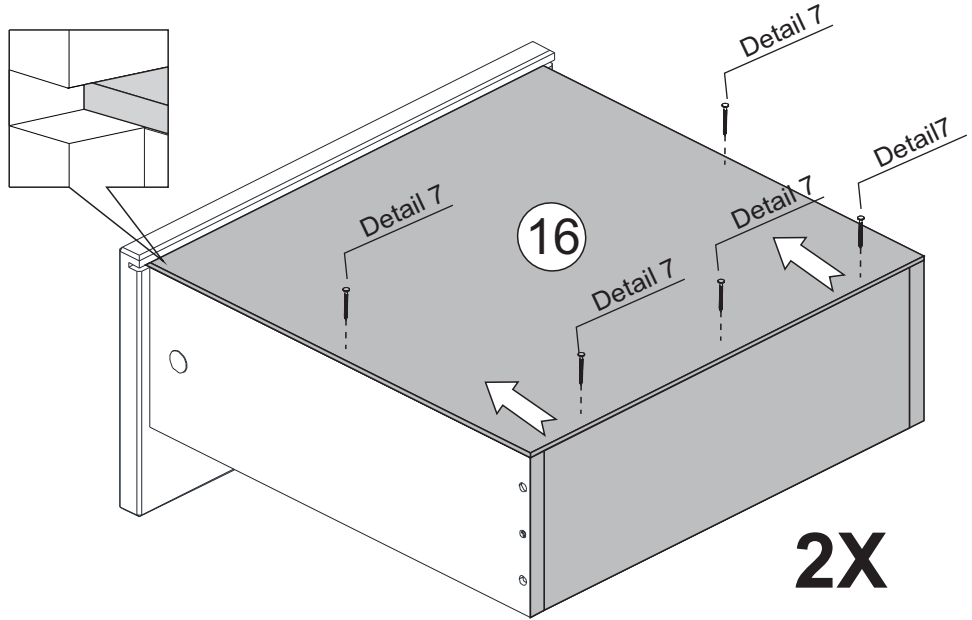
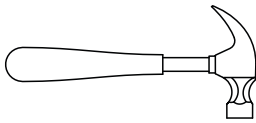
16 - SMALL DRAWER BOTTOM x2



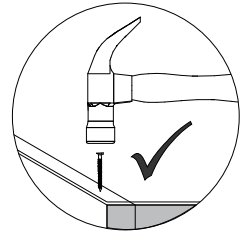
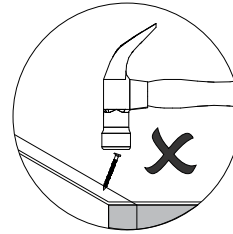
**HARDWARE REQUIRED**



**TOOLS REQUIRED**

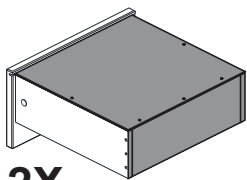


Detail 7



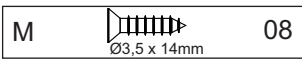
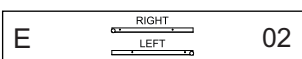
# STEP 24

**PARTS REQUIRED**

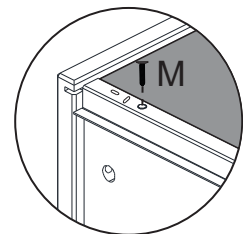
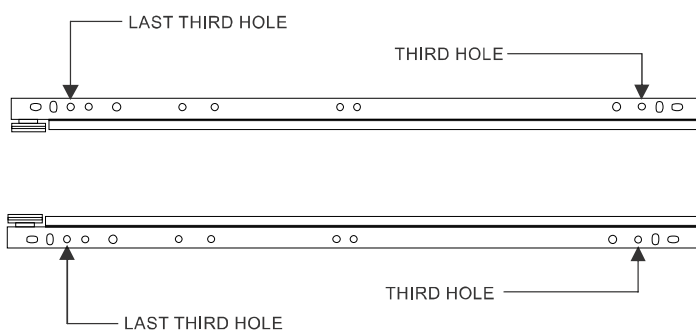
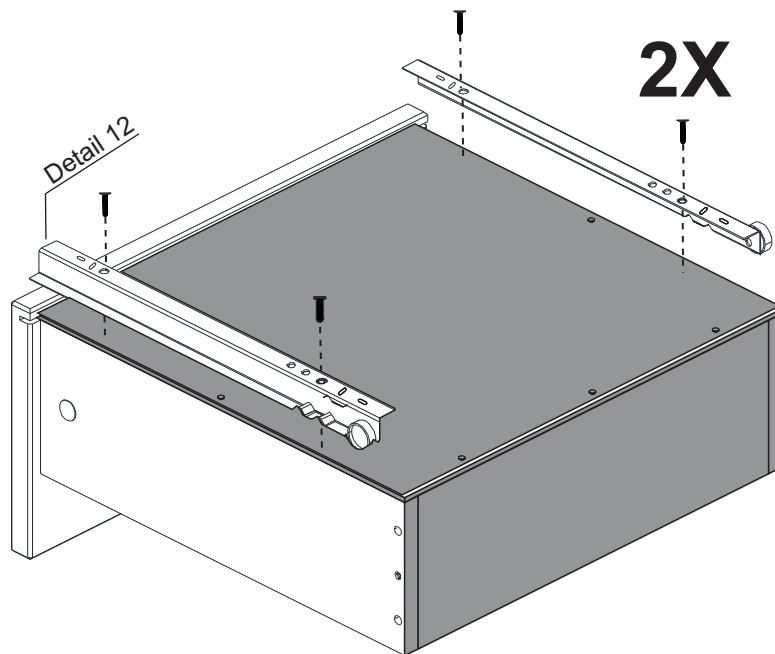
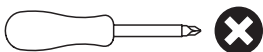


2X

**HARDWARE REQUIRED**



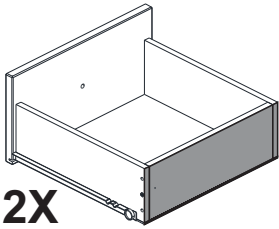
**TOOLS REQUIRED**



Detail 12

# STEP 25

**PARTS REQUIRED**

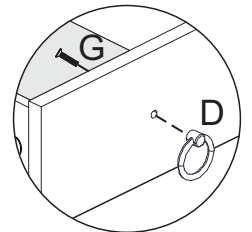
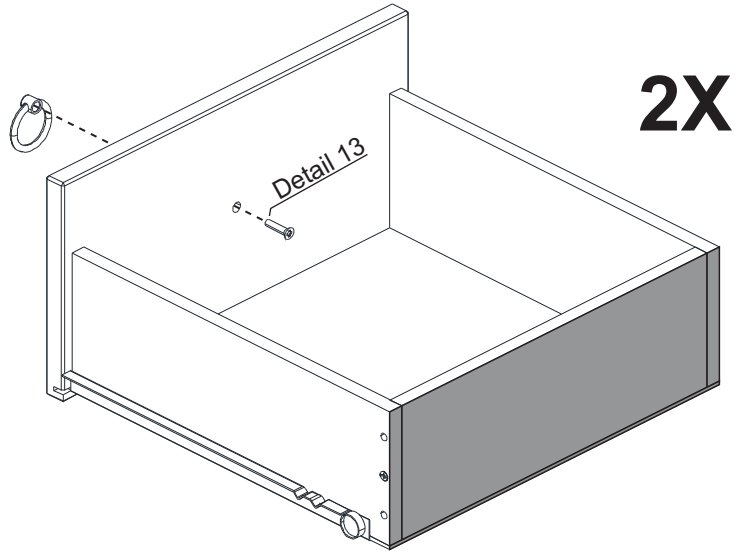
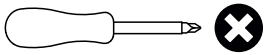


**HARDWARE REQUIRED**

D		02
---	--	----

G		02
---	--	----

**TOOLS REQUIRED**



Detail 13

# STEP 26

**PARTS REQUIRED**

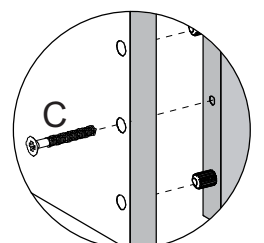
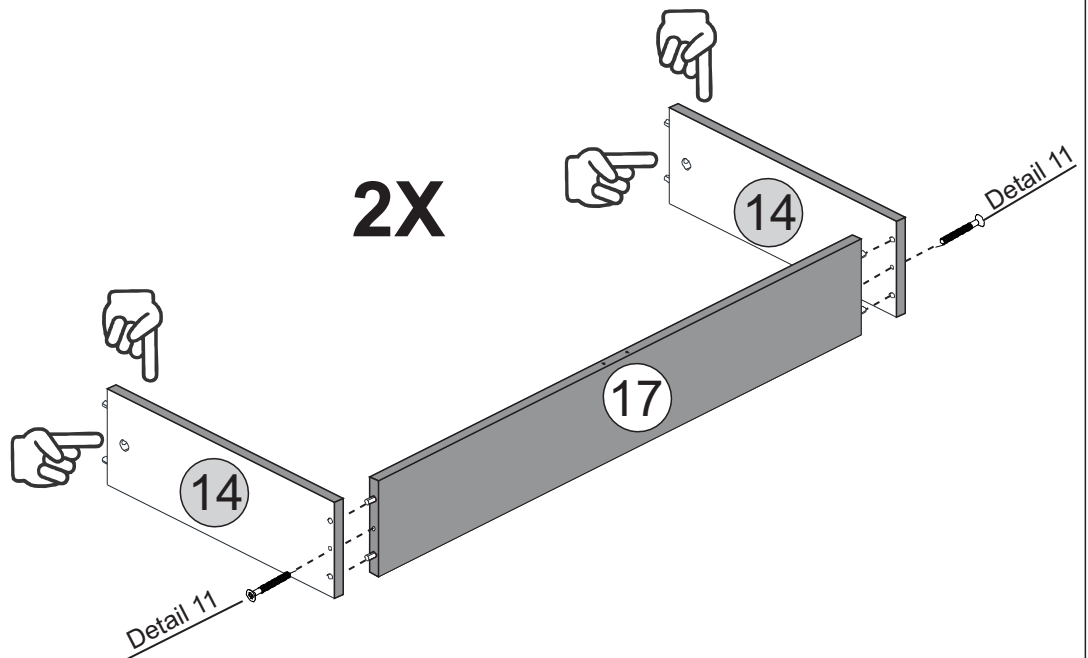
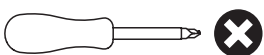
14 - SMALL DRAWER SIDE	x4
------------------------	----

17 - MEDIUM DRAWER BACK	x2
-------------------------	----

**HARDWARE REQUIRED**

C		04
---	--	----

**TOOLS REQUIRED**



Detail 11

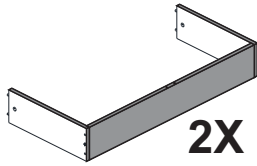


# STEP 27

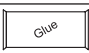
## PARTS REQUIRED

19 - DRAWER FRONT (ICE) x1

21 - DRAWER FRONT(LIGHT GREY)x1



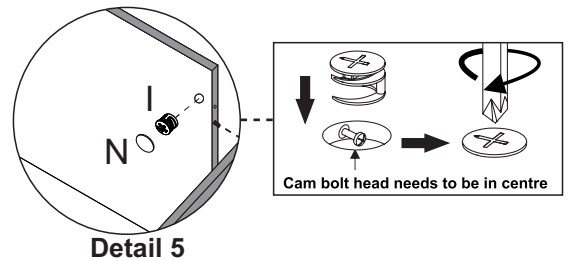
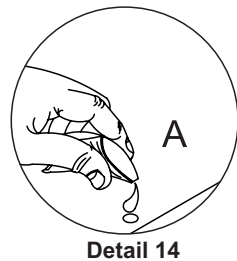
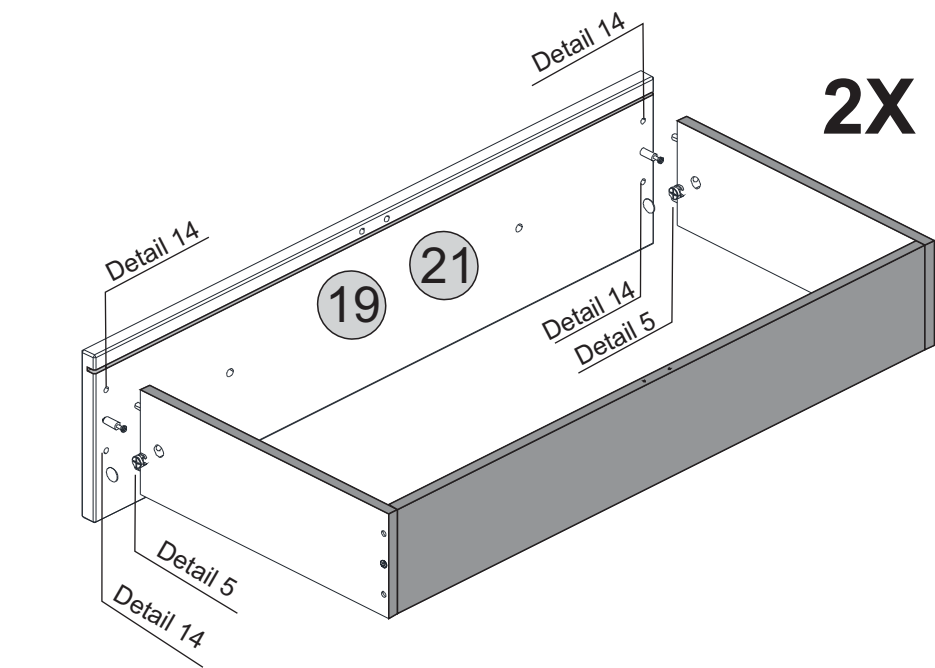
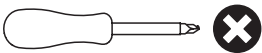
## HARDWARE REQUIRED

A  01

I  04

N  04

## TOOLS REQUIRED

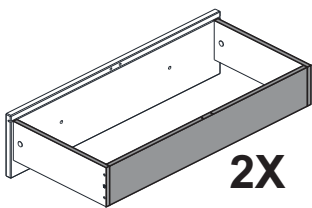


# STEP 28

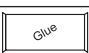
## PARTS REQUIRED

18 - LARGE DRAWER BOTTOM x2

20 - DRAWER CROSSBAR x2

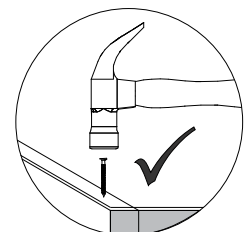
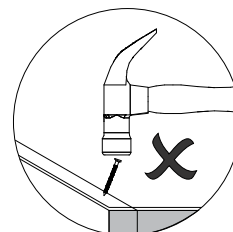
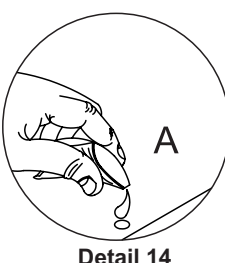
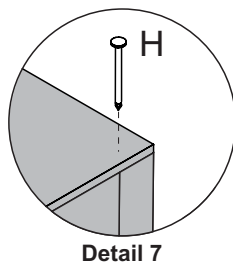
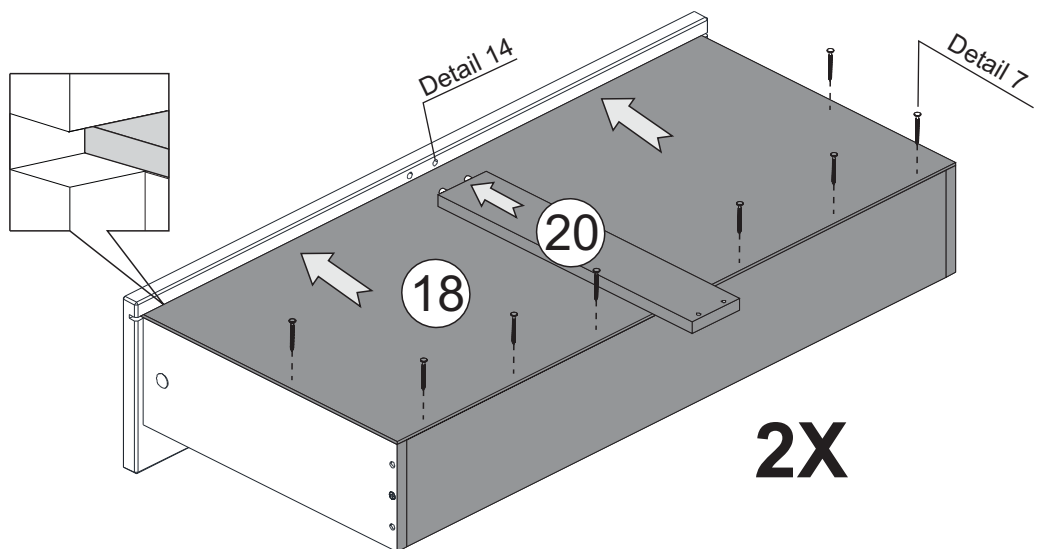
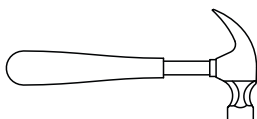


## HARDWARE REQUIRED

A  01

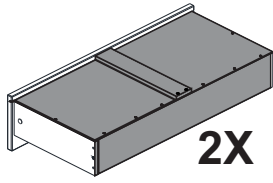
H  16

## TOOLS REQUIRED

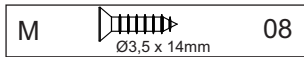
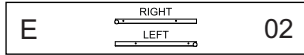


# STEP 29

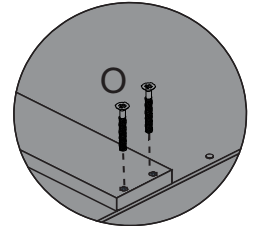
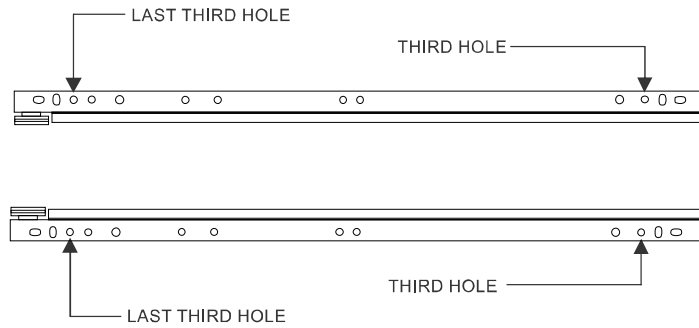
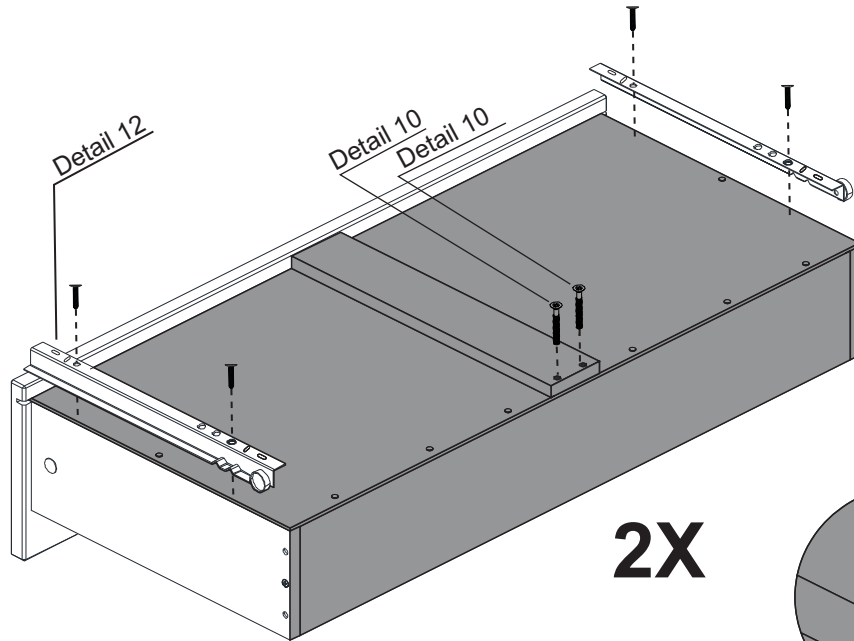
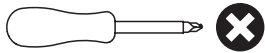
**PARTS REQUIRED**



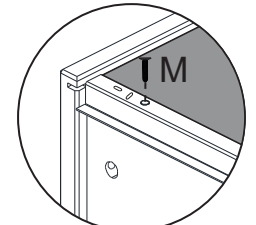
**HARDWARE REQUIRED**



**TOOLS REQUIRED**



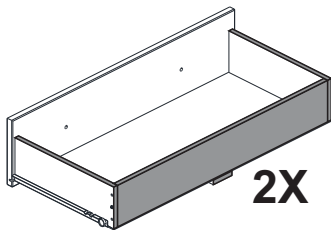
Detail 10



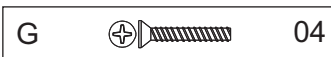
Detail 12

# STEP 30

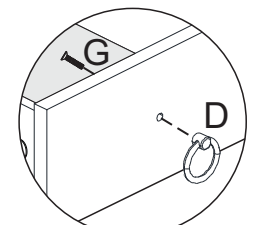
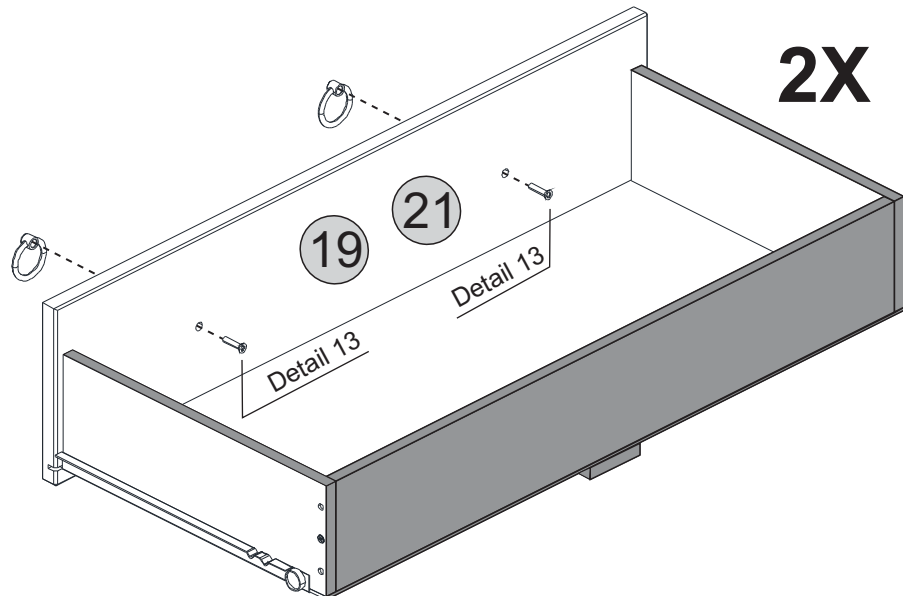
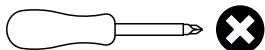
**PARTS REQUIRED**



**HARDWARE REQUIRED**



**TOOLS REQUIRED**



Detail 13

# STEP 31

## PARTS REQUIRED

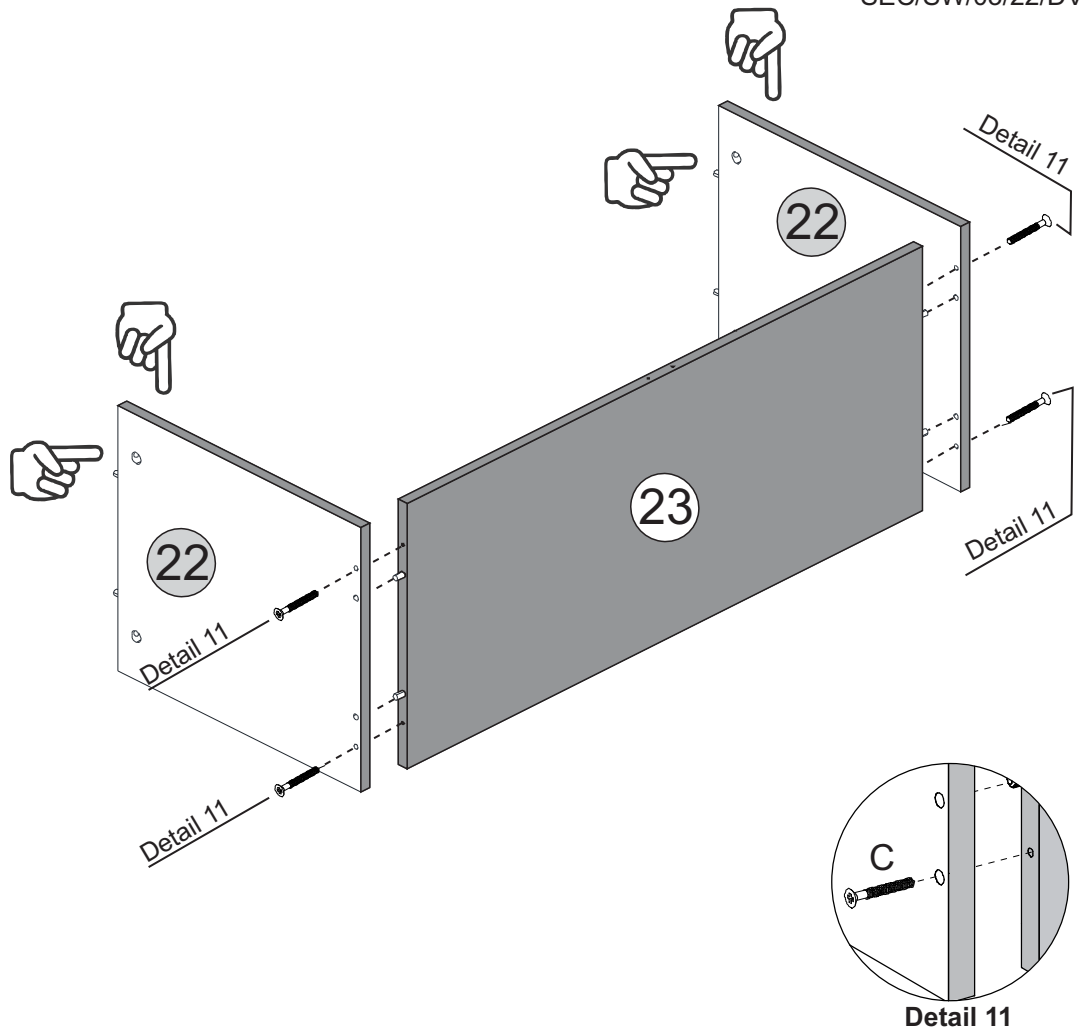
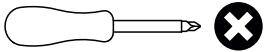
22 - LARGE DRAWER SIDE x2

23 - LARGE DRAWER BACK x1

## HARDWARE REQUIRED

C  04

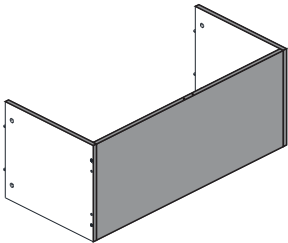
## TOOLS REQUIRED



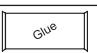
# STEP 32

## PARTS REQUIRED

24 - DRAWER FRONT(DARK GREY) x1



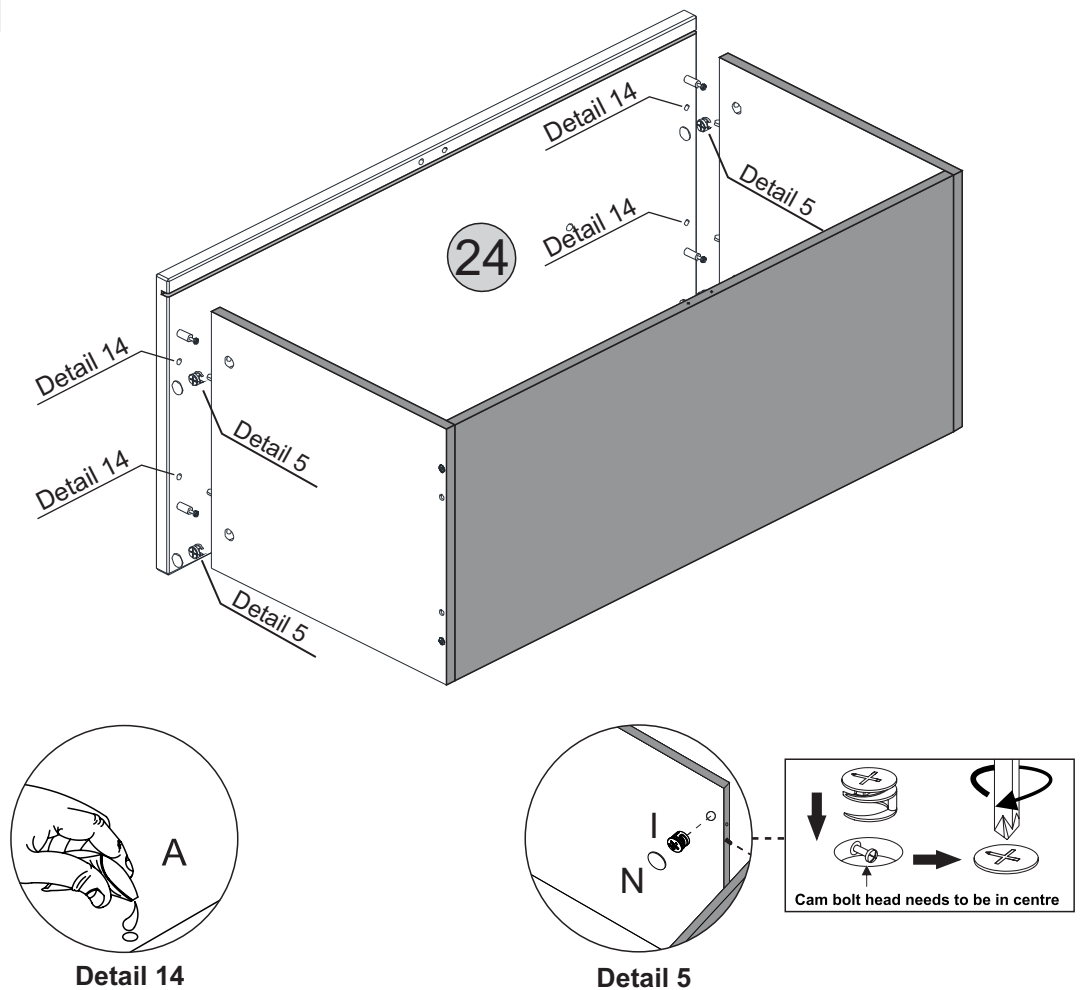
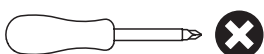
## HARDWARE REQUIRED

A  01

I  04

N  04

## TOOLS REQUIRED

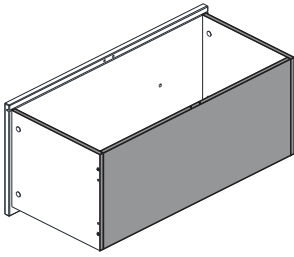


# STEP 33


## PARTS REQUIRED

18 - LARGE DRAWER BOTTOM x1

20 - DRAWER CROSSBAR x1

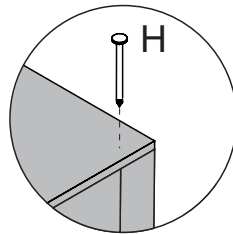
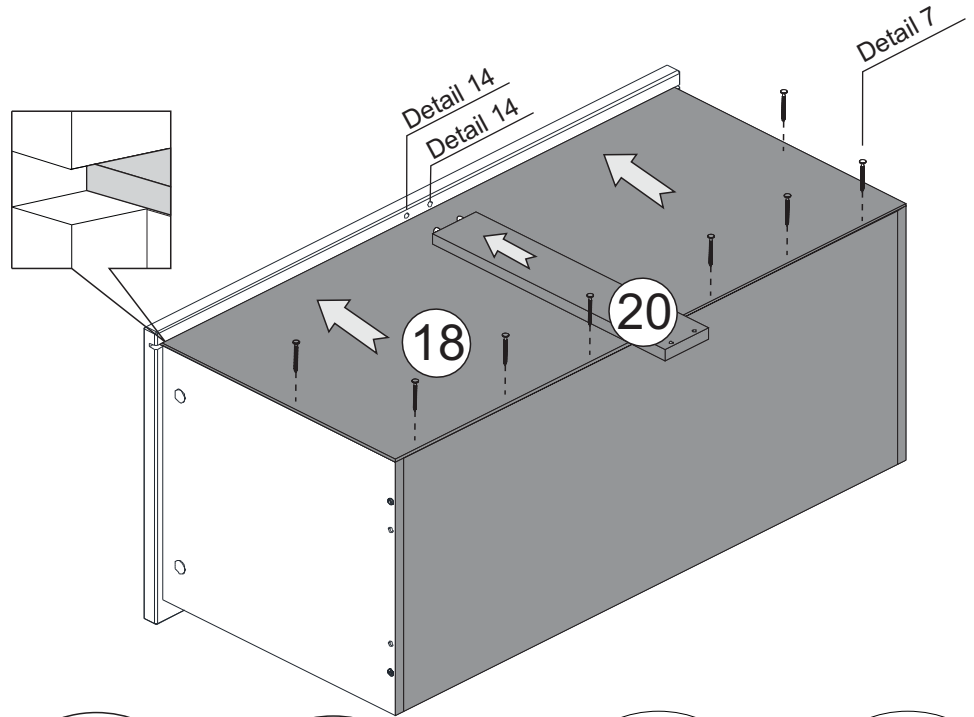
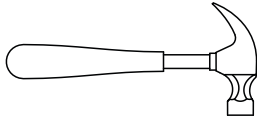


## HARDWARE REQUIRED

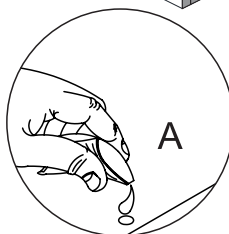
A  01

H  08

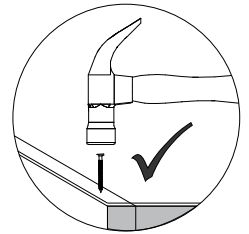
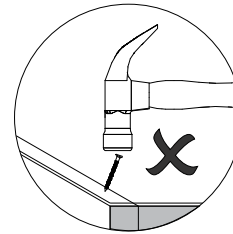
## TOOLS REQUIRED



Detail 7

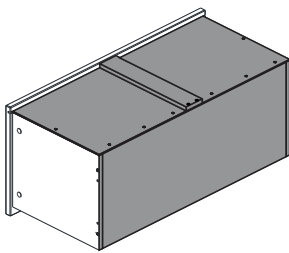


Detail 14



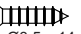
# STEP 34


## PARTS REQUIRED



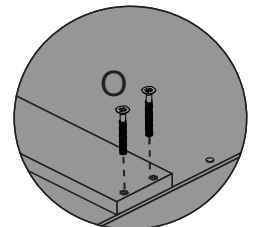
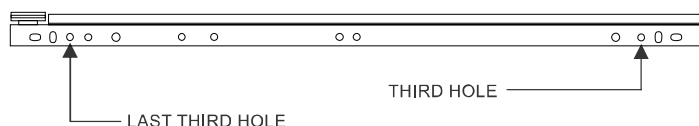
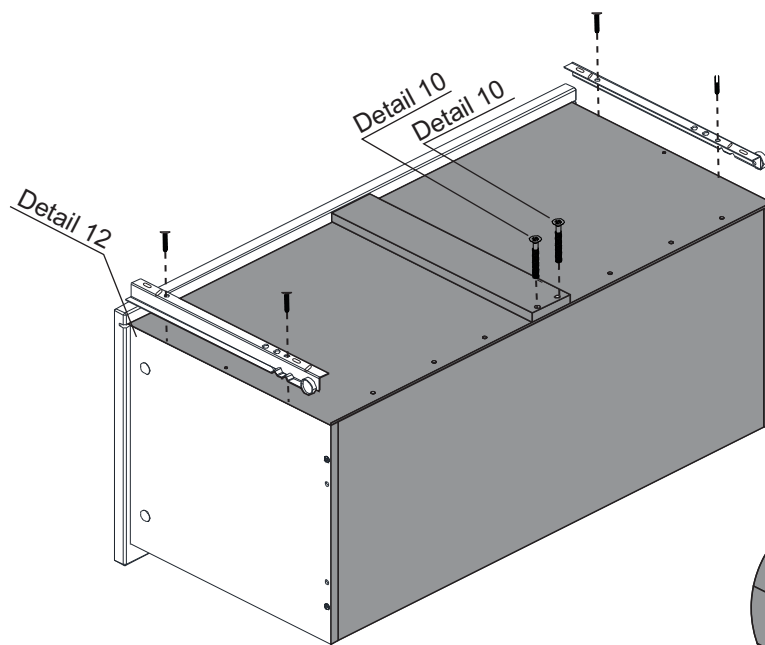
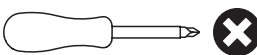
## HARDWARE REQUIRED

E  01

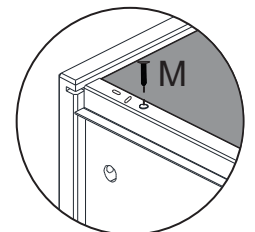
M  04  
Ø3,5 x 14mm

O  02

## TOOLS REQUIRED



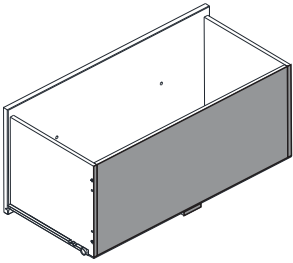
Detail 10



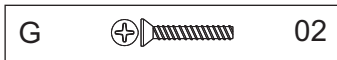
Detail 12

# STEP 35

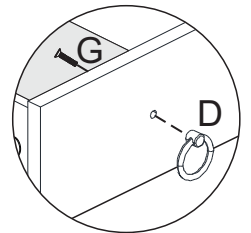
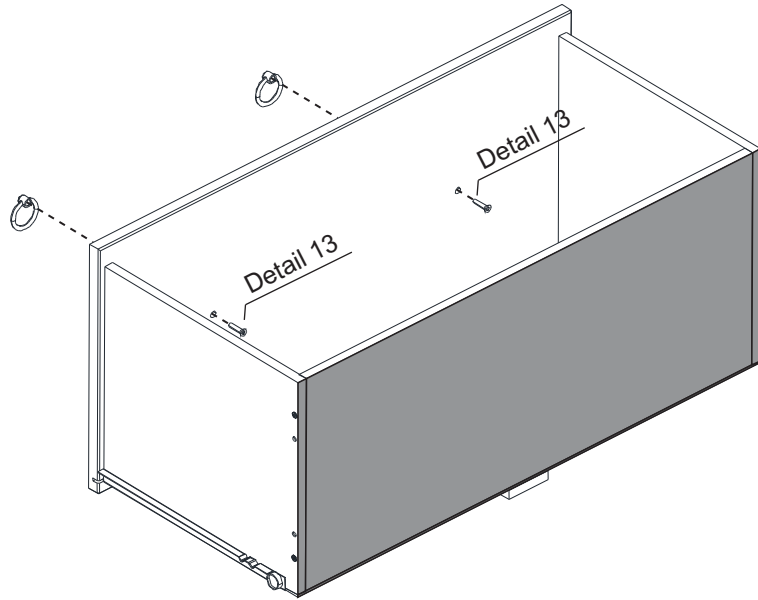
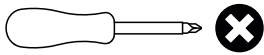
## PARTS REQUIRED



## HARDWARE REQUIRED



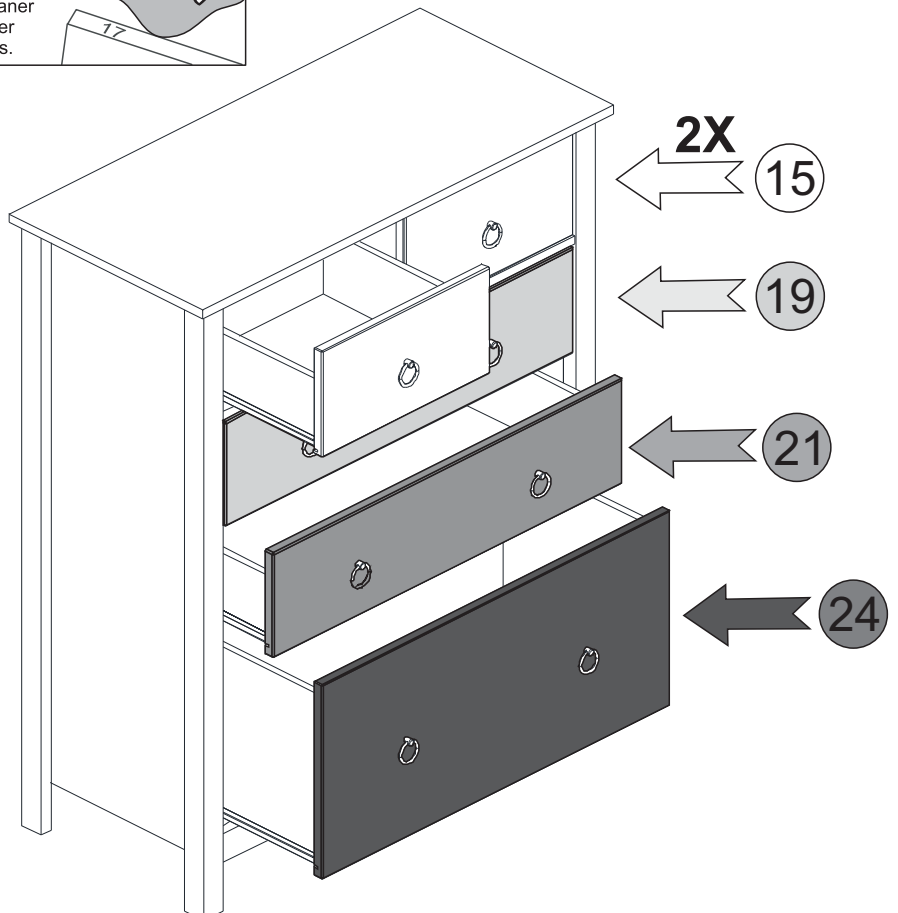
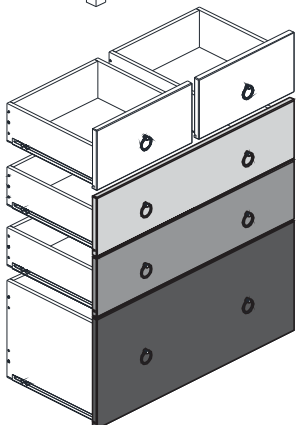
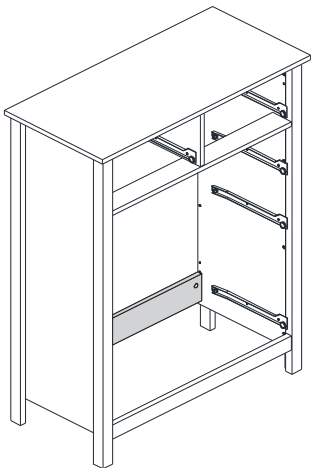
## TOOLS REQUIRED



Detail 13

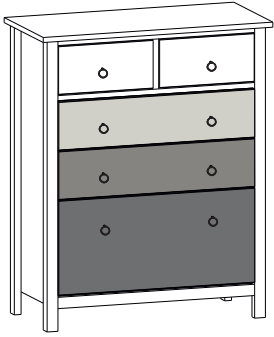
# STEP 36

**TIP**  
If desired, after assembly use an alcohol cleaner to erase the number printed on the parts.

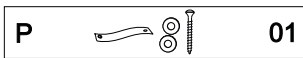


# STEP 37

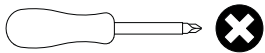
## PARTS REQUIRED



## HARDWARE REQUIRED



## TOOLS REQUIRED



## WARNING

**Serious or fatal injuries can occur from furniture tipping over. To prevent the furniture from tipping over we recommend that it is permanently fixed to the wall.**

Wall fixings are not supplied with this product as different wall materials require different types of fixing devices. Please make sure you use fixings suitable for the walls in your home.

