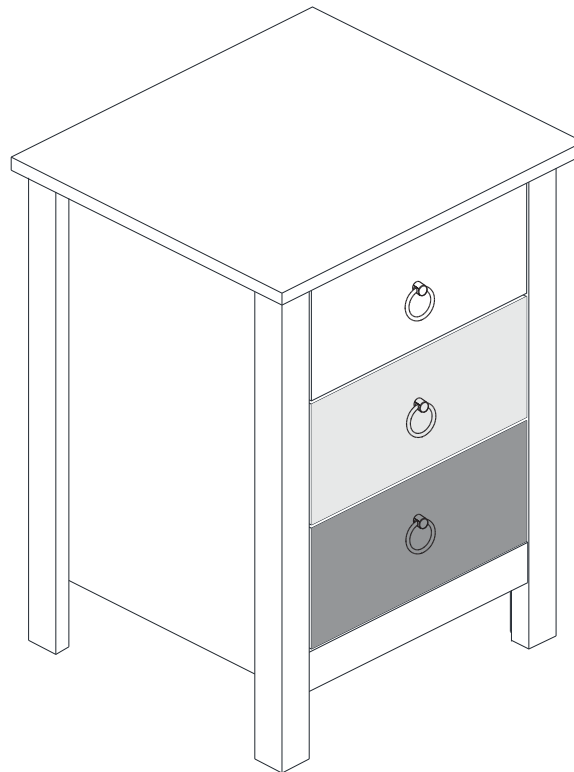


# VERMONT 3 DRAWER BEDSIDE ASSEMBLY INSTRUCTIONS WHITE/GREY

XXXXX



## IMPORTANT FOR DOMESTIC USE ONLY

PLEASE READ BEFORE YOU CONTINUE FURTHER

## CARE AND MAINTENANCE

After unpacking this product please keep the original packaging in case it needs to be returned for any reason.

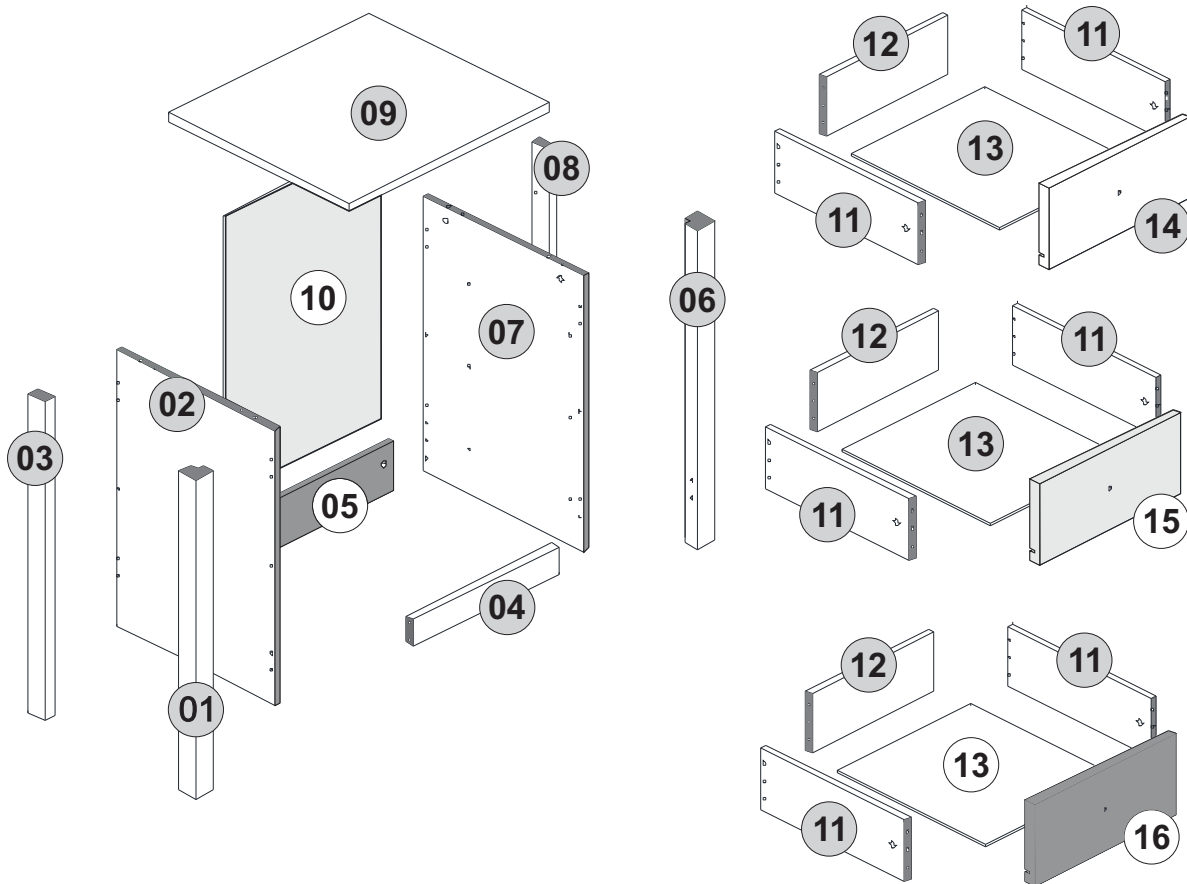
- Please ensure all fittings and parts are present before commencing with assembly.
- Never drag or push products as this could cause damage to the joints making it inferior.
- We strongly recommend that you keep children away from your work area.
- We recommend that you lay a blanket or sheet on the floor to avoid damage to both your floor and the product.
- Assemble this product as close to its final position as possible.
- Do not place this product next to a radiator or in direct sunlight.
- Do not drag or push items across your high gloss furniture as this may cause the surface to scratch
- Wood is a natural product and may expand if subjected to damp and may shrink or crack if subjected to heat. Therefore it is recommended that room temperature is maintained, with no sudden temperature fluctuations.
- Make sure any spillage is wiped off immediately.
- Do not place hot or chilled items directly on to the surface, use a place mat or marking will occur.
- For general cleaning use a soft cotton or micro fibre cloth, and do not use detergents of any kind.
- From time to time it may be necessary to tighten fittings, regular inspections should be carried out.
- Do not place on a wet or damp floor as staining may occur to your floor.



\* Use of power tools to assemble this product will invalidate any claim and could damage this product making it unsafe!!!  
\* Please assemble on a clean soft surface to avoid damage.



\* Please check contents and read the instructions before commencing assembly.  
\* Assemble this product following the enclosed instructions carefully.  
\* Please take care to avoid damaging parts during assembly.







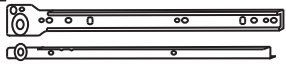

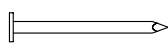






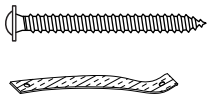

## PART LIST

### Please Note:

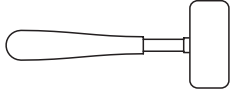
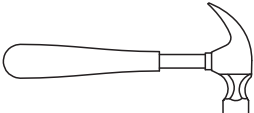
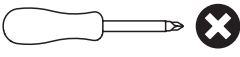
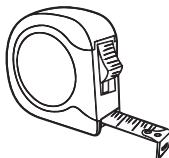
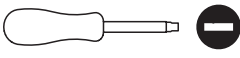

The below parts have all been stamped with the part number/color to help identify them during assembly.

Part Number	Part Code	Part Description	Quantity	Carton
1	S100-103-060-DV1-01	Front Left Upright	1	1/1
2	S100-103-060-DV1-02	Left Side Panel	1	1/1
3	S100-103-060-DV1-03	Left Rear Upright	1	1/1
4	S100-103-060-DV1-04	Crossbeam	1	1/1
5	S100-103-060-DV1-05	Back Baseboard	1	1/1
6	S100-103-060-DV1-06	Right front upright	1	1/1
7	S100-103-060-DV1-07	Right side panel	1	1/1
8	S100-103-060-DV1-08	Rear right upright	1	1/1
9	S100-103-060-DV1-09	Top Panel	1	1/1
10	S100-103-060-DV1-10	Back Panel	1	1/1
11	S100-103-060-DV1-11	Drawer Side	6	1/1
12	S100-103-060-DV1-12	Drawer Back Panel	3	1/1
13	S100-103-060-DV1-13	Drawer Botom	3	1/1
14	S100-103-060-DV1-14	Drawer Front (White)	1	1/1
15	S100-103-060-DV1-15	Drawer Front (Light Grey)	1	1/1
16	S100-103-060-DV1-16	Drawer Front (Dark Grey)	1	1/1

### FITTINGS LIST

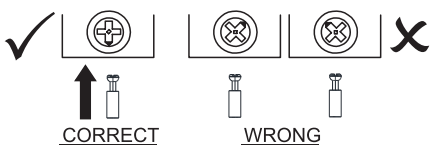
<p><b>A</b></p>  <p>Glue (2x)</p>	<p><b>B</b></p>  <p>2/+ Dowel Ø6,0 x 30mm (40x)</p>	<p><b>C</b></p>  <p>1/+ Flat Head Screw Ø4,0 x 40mm (6x)</p>	<p><b>D</b></p>  <p>Handle(3x)</p>
<p><b>E</b></p>  <p>Slide 300mm (3x)</p>	<p><b>G</b></p>  <p>CH PHS ZP 3/16X3/4 (3x)</p>	<p><b>H</b></p>  <p>5/+ Nail 10 x 10 (24x)</p>	<p><b>I</b></p>  <p>1/+ Cam Nut 12mm (14x)</p>
<p><b>J</b></p>  <p>1/+ Cam Bolt (14x)</p>	<p><b>K</b></p>  <p>1/+ Screw Ø6x8 (12x)</p>	<p><b>M</b></p>  <p>1/+ Flat Head Screw Ø3,5 x 14mm (12x)</p>	<p><b>N</b></p>  <p>2/+ Hole Plugs (6x)</p>
<p><b>O</b></p>  <p>1/+ Flat Head Screw Ø3,5 x 25mm (12x)</p>	<p><b>P</b></p>  <p>Ø3,5x25 01 Anti-tip strap 01 <b>(1X)</b></p>		<p><b>Q</b></p>  <p>Washer 02 1/+ Flat Head Screw Ø3,5 x 10mm (3x)</p>



### TOOLS REQUIRED

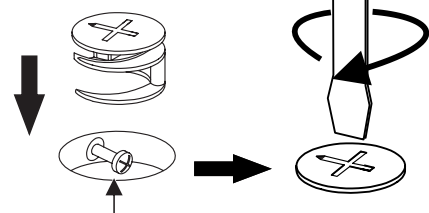
	
	
	

### TIPS FOR FITTINGS CAM-LOCKS

WHEN FITTING CAM NUT. ENSURE STARTING POSITION IS CORRECT BEFORE YOU INSERT CONNECTING CAM BOLT TURN CLOCKWISE UNTIL SECURE

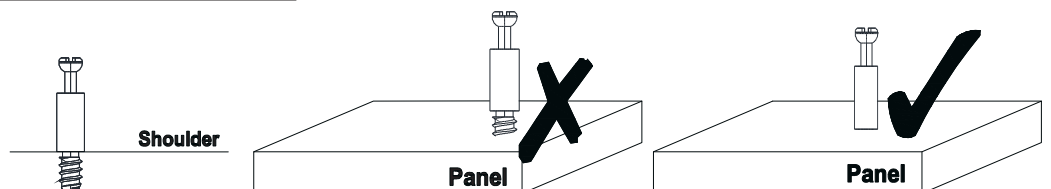


 CORRECT  
 WRONG



Cam bolt head needs to be in centre

**CAMBOLT**  
Tighten until shoulder in flush with panel. Do not overtighten or undertighten (see example beside)


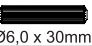


# STEP 1

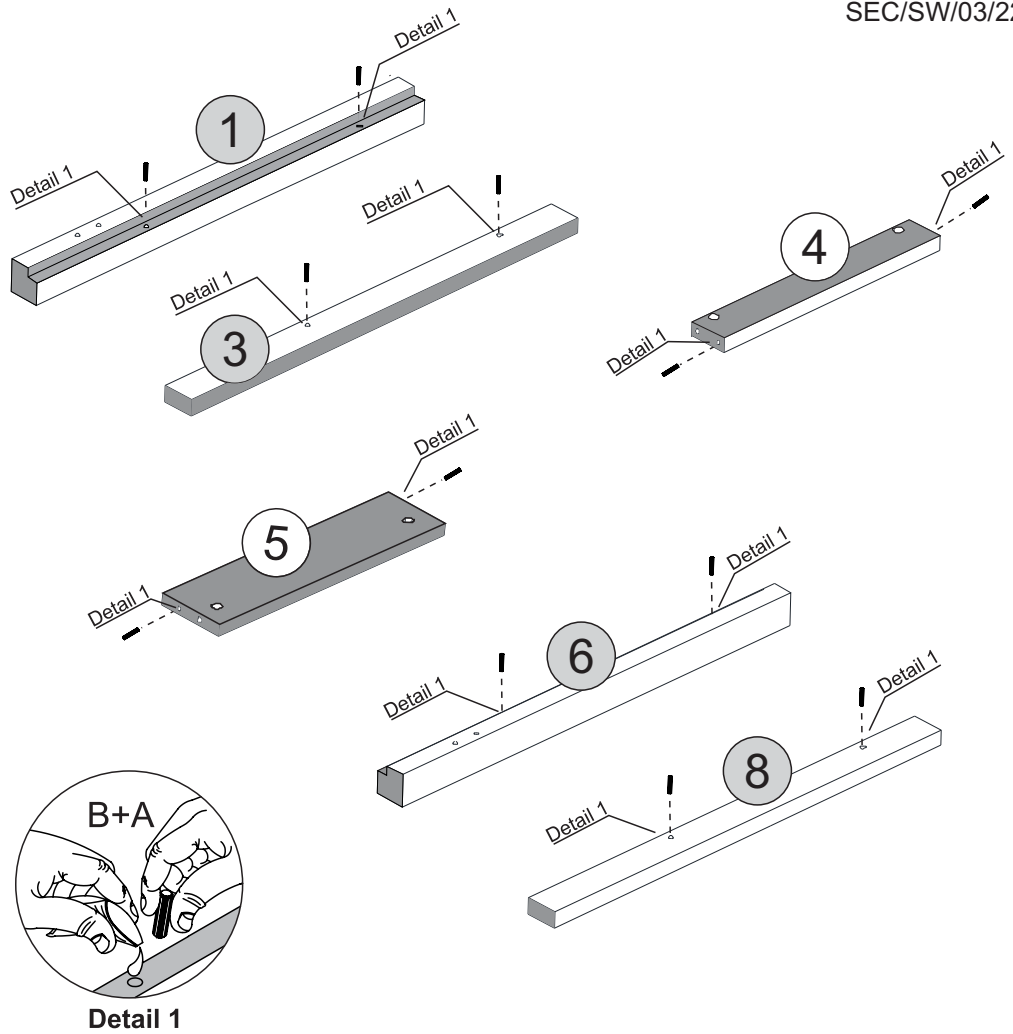
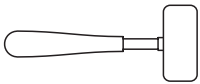
## PARTS REQUIRED

- 01-FRONT LEFT UPRIGHT x1
- 03-LEFT REAR UPRIGHT x1
- 04-CROSSBEAM x1
- 05-BACK BASEBOARD x1
- 06-RIGHT FRONT UPRIGHT x1
- 08-REAR RIGHT UPRIGHT x1

## HARDWARE REQUIRED

- A  01
- B  Ø6,0 x 30mm 12

## TOOLS REQUIRED




Detail 1

# STEP 2

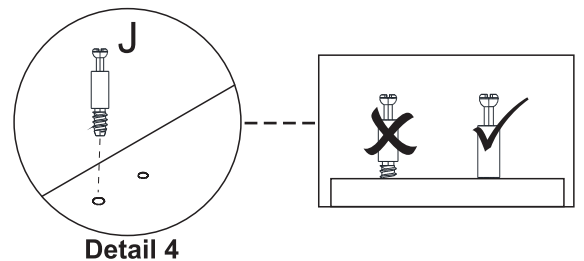
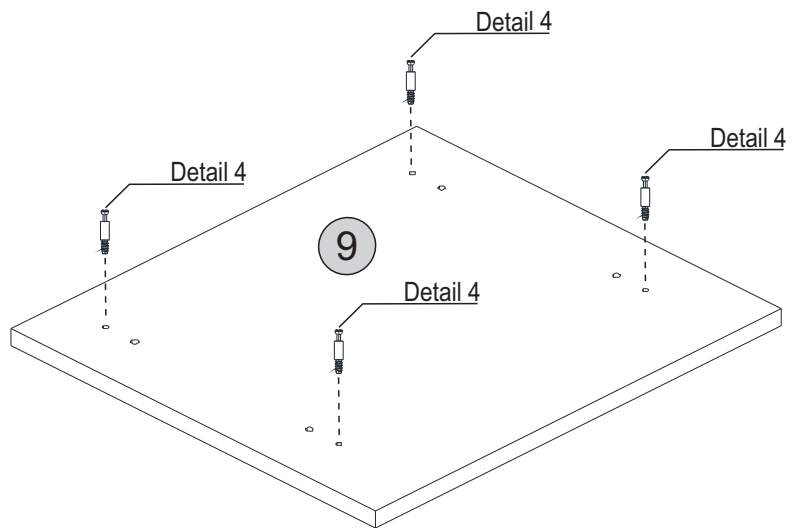
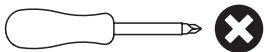
## PARTS REQUIRED

- 09 - TOP PANEL x1

## HARDWARE REQUIRED

- J  04

## TOOLS REQUIRED



Detail 4

# STEP 3

## PARTS REQUIRED

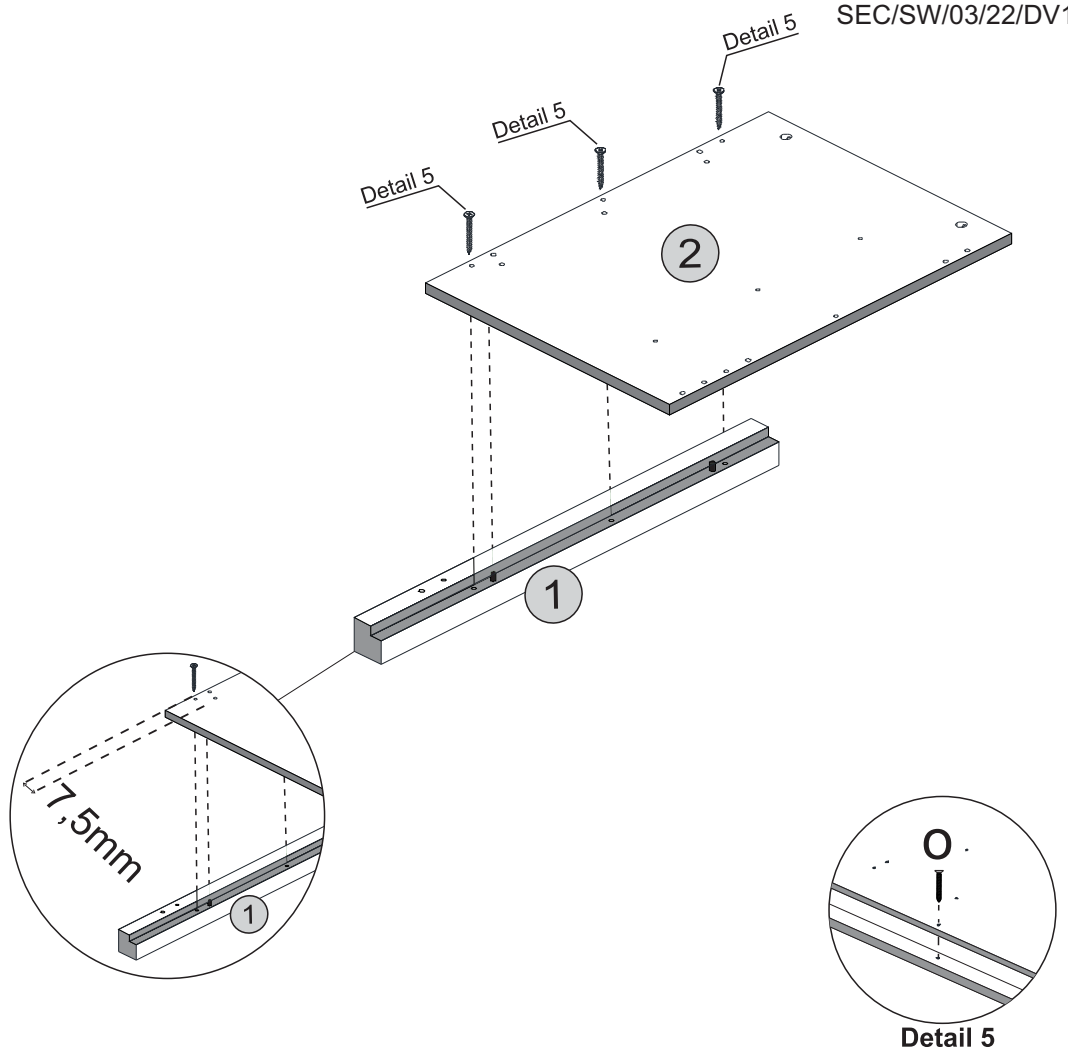
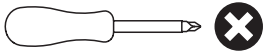
1 - FRONT LEFT UPRIGHT x1

2 - LEFT SIDE PANEL x1

## HARDWARE REQUIRED

Ø3,5 x 25mm 03

## TOOLS REQUIRED



# STEP 4

## PARTS REQUIRED

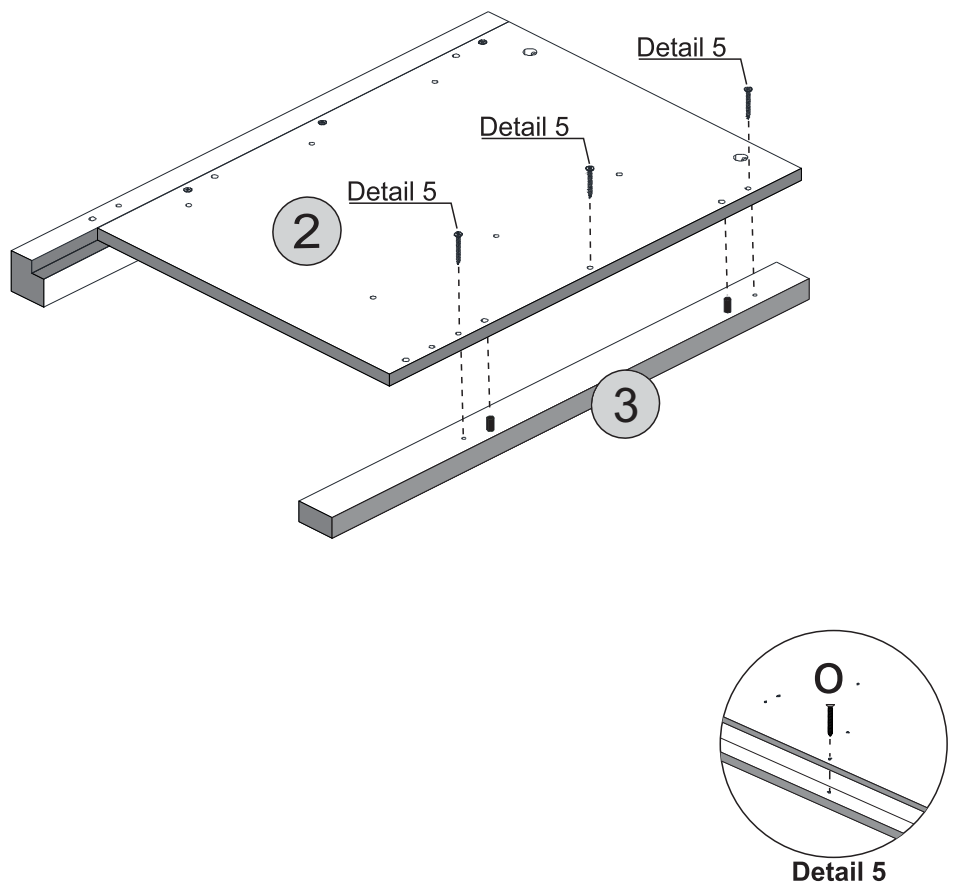
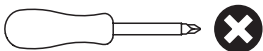
2 - LEFT SIDE PANEL x1

3 - LEFT REAR UPRIGHT x1

## HARDWARE REQUIRED

Ø3,5 x 25mm 03

## TOOLS REQUIRED






# STEP 5

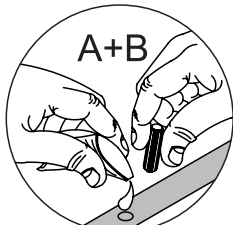
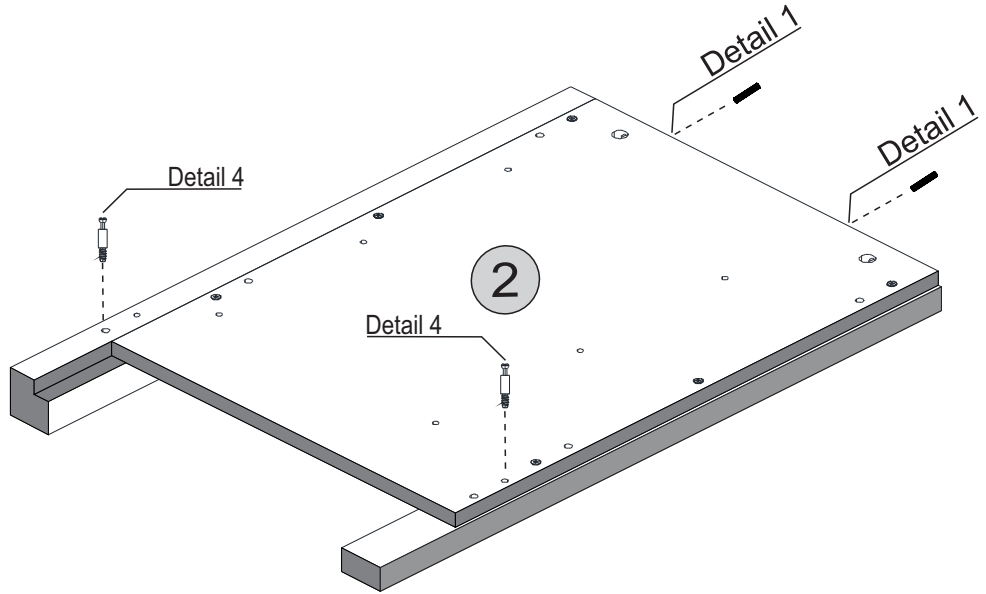
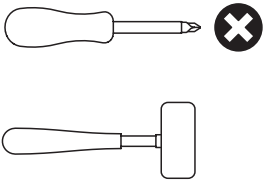
## PARTS REQUIRED

2 - LEFT SIDE PANEL x1

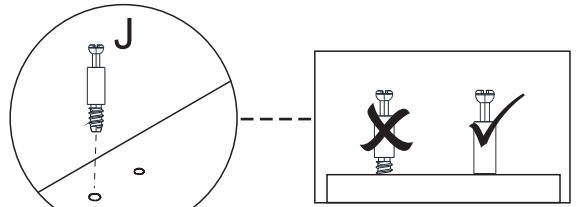
## HARDWARE REQUIRED

- A  01
- B  Ø6,0 x 30mm 02
- J  02

## TOOLS REQUIRED



Detail 1





Detail 4

# STEP 6

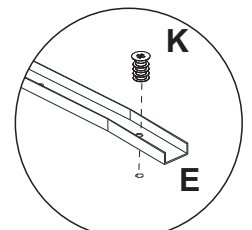
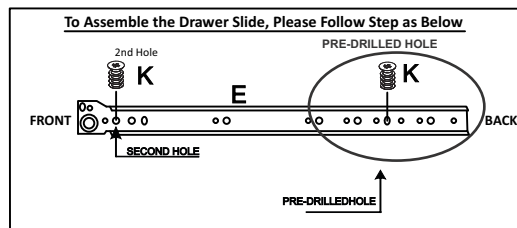
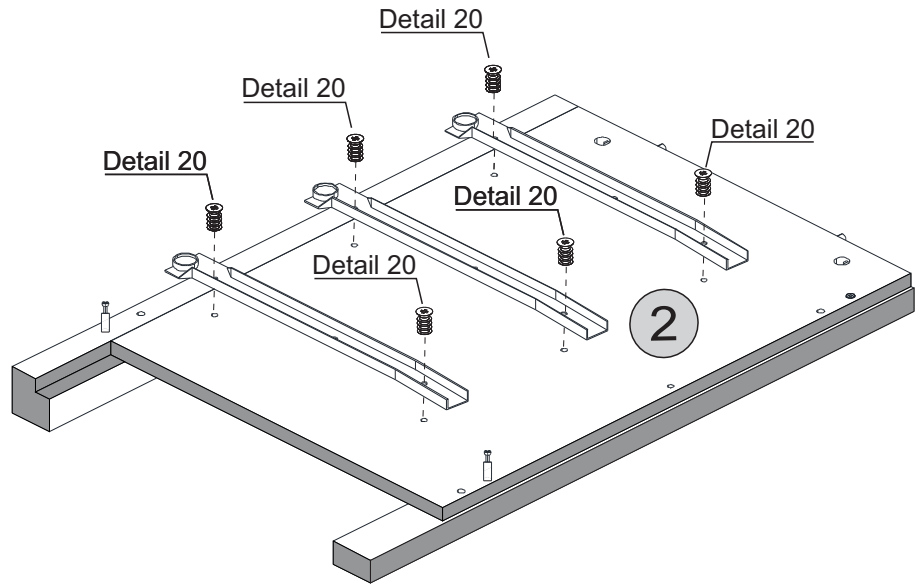
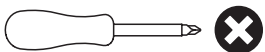
## PARTS REQUIRED

2 - LEFT SIDE PANEL x1

## HARDWARE REQUIRED

- K  Ø6 x 8 06
- E  03

## TOOLS REQUIRED



Detail 20

# STEP 7

## PARTS REQUIRED

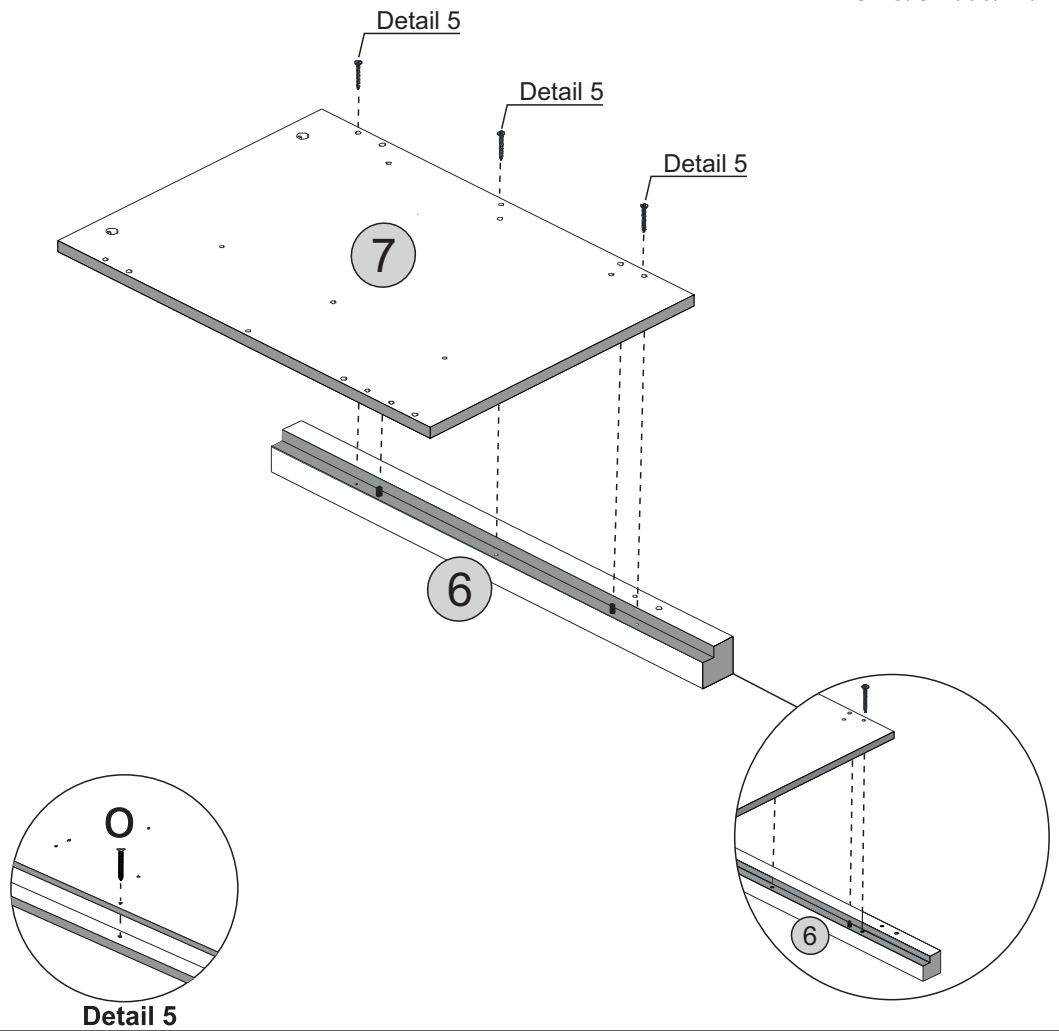
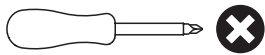
06- RIGH FRONT UPRIGHT x1

07- RIGH SIDE PANEL x1

## HARDWARE REQUIRED

Ø3,5 x 25mm 03

## TOOLS REQUIRED



# STEP 8

## PARTS REQUIRED

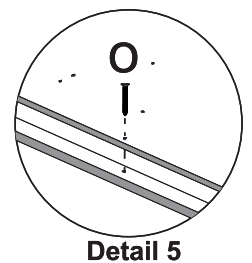
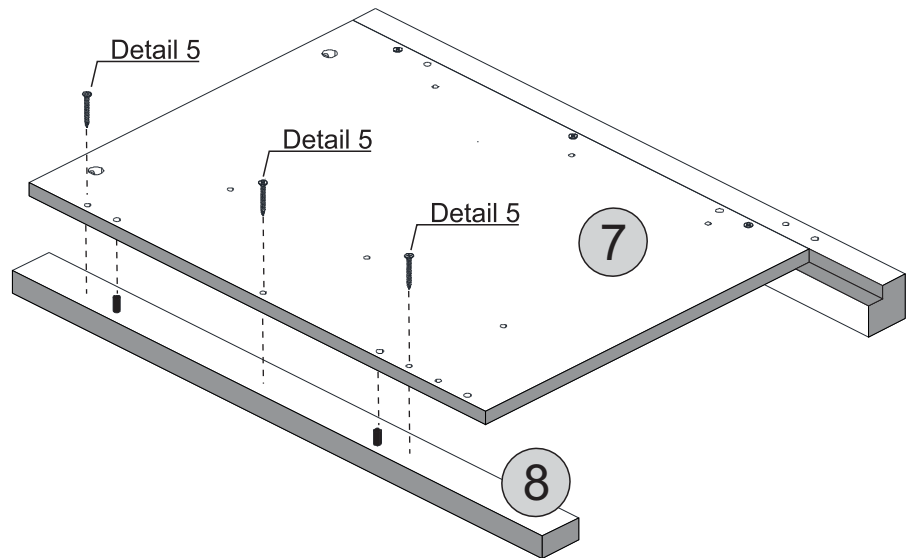
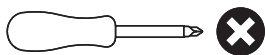
07- RIGH SIDE PANEL x1

08- REAR RIGH UPRIGHT x1

## HARDWARE REQUIRED

Ø3,5 x 25mm 03

## TOOLS REQUIRED



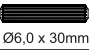
# STEP 9

## PARTS REQUIRED

07- RIGH SIDE PANEL x1

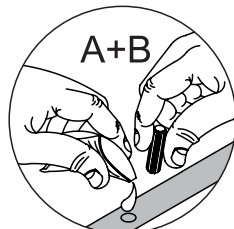
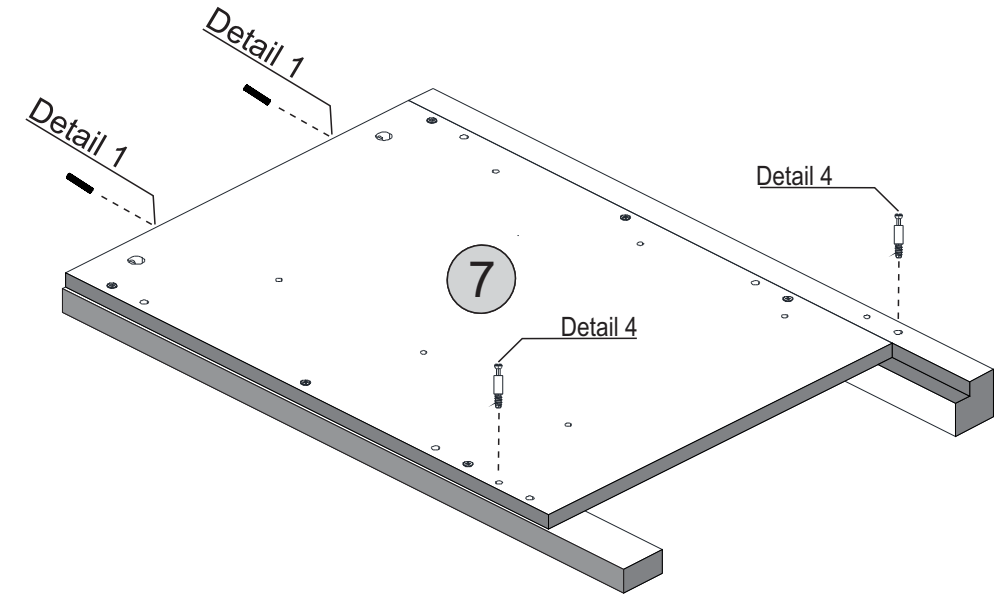
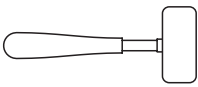
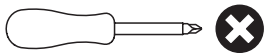
## HARDWARE REQUIRED

A  01

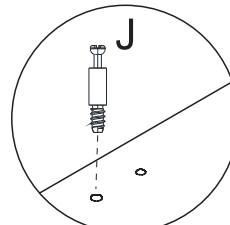
B  02  
Ø6,0 x 30mm

J  02

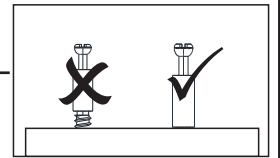
## TOOLS REQUIRED



Detail 1



Detail 4



# STEP 10

## PARTS REQUIRED

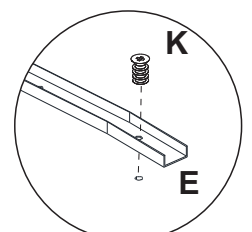
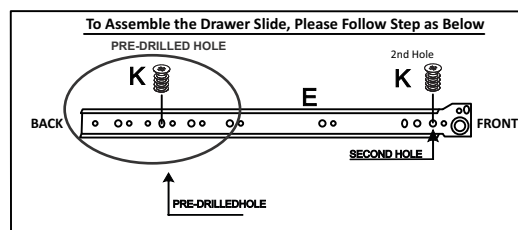
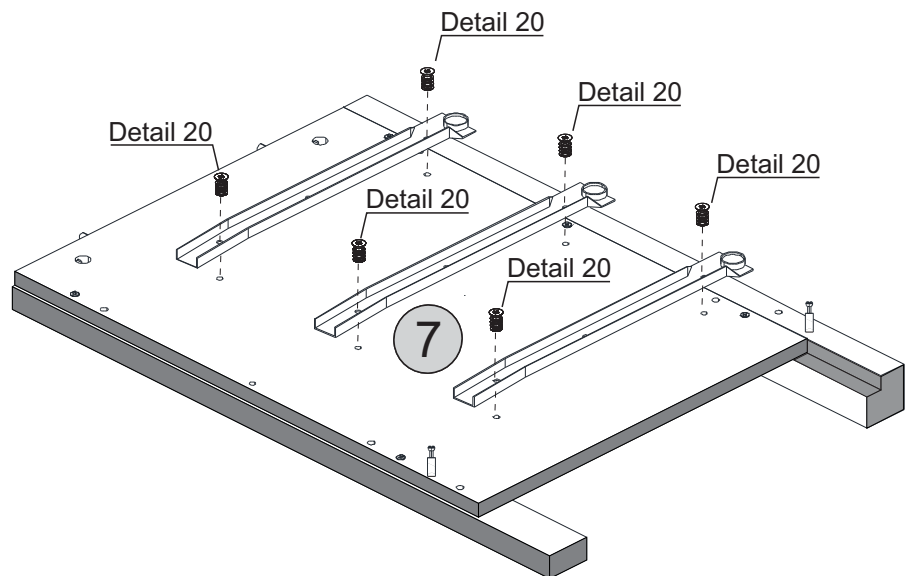
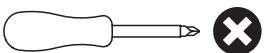
07- RIGH SIDE PANEL x1

## HARDWARE REQUIRED

K  06  
Ø 6 x 8

E  03

## TOOLS REQUIRED



Detail 20



# STEP 11

## PARTS REQUIRED

04- CROSSBEAM x1

05- BACK BASEBOARD x1

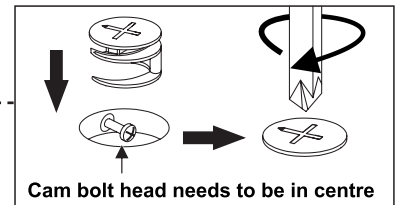
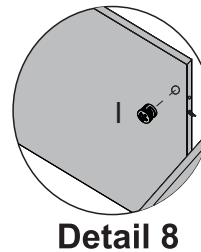
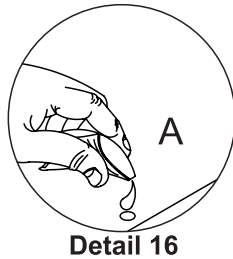
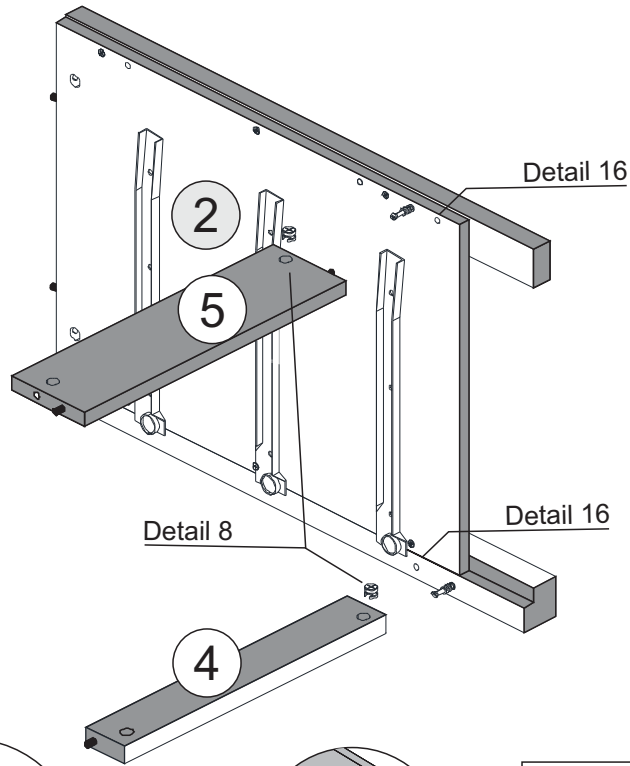
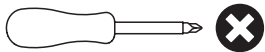
02- LEFT SIDE PANEL x1

## HARDWARE REQUIRED

A  01

I  02

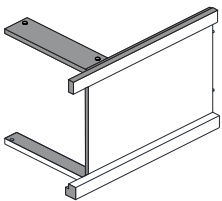
## TOOLS REQUIRED




# STEP 12

## PARTS REQUIRED

07- RIGH SIDE PANEL x1

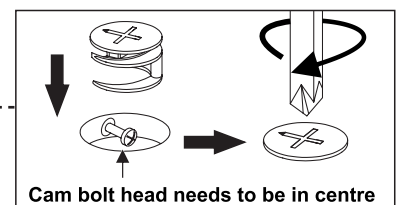
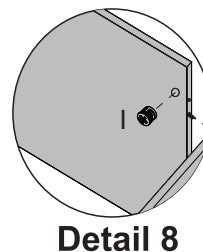
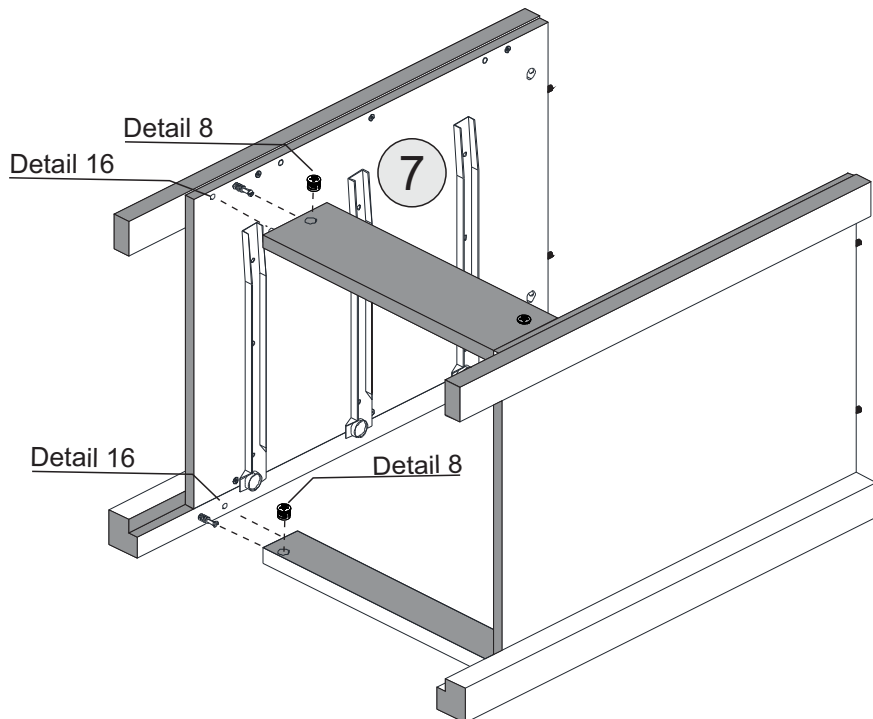
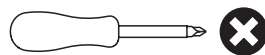


## HARDWARE REQUIRED

A  01

I  02

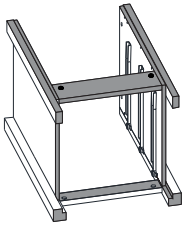
## TOOLS REQUIRED



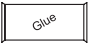
# STEP 13

## PARTS REQUIRED

09- TOP PANEL x1

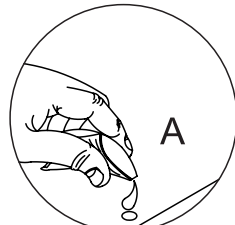
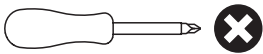


## HARDWARE REQUIRED

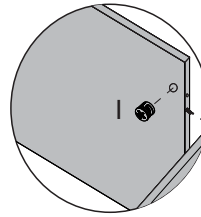
A  01

I  04

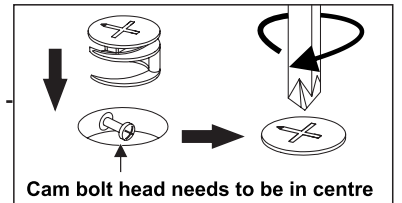
## TOOLS REQUIRED



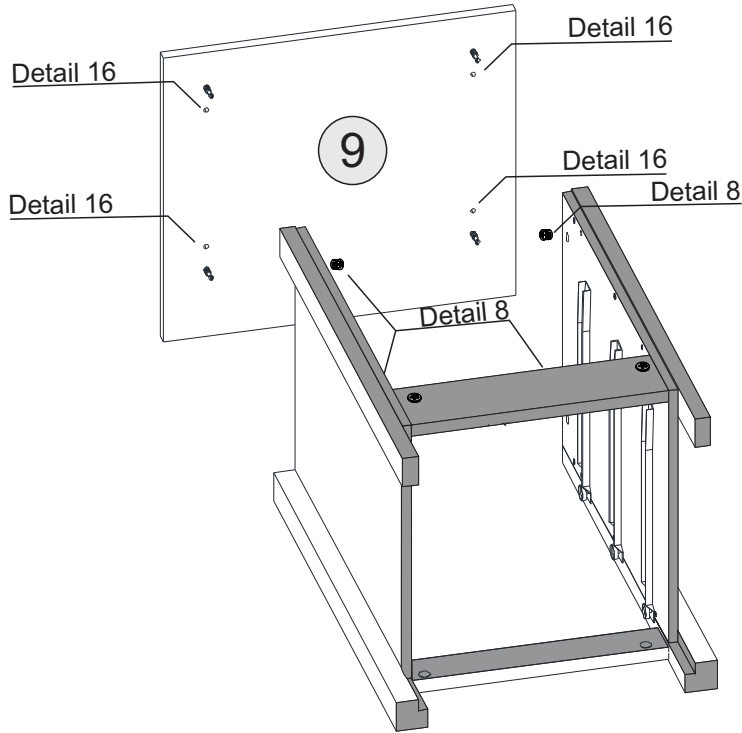
Detail 16



Detail 8



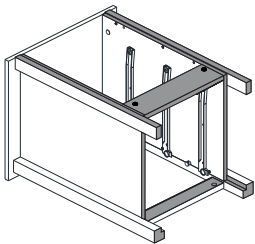
Cam bolt head needs to be in centre




# STEP 14

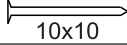
## PARTS REQUIRED

09- BACK PANEL x1

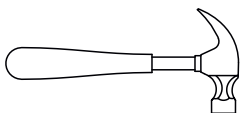
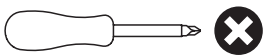


## HARDWARE REQUIRED

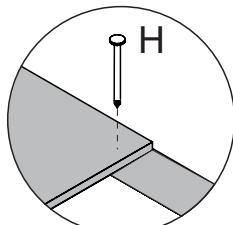
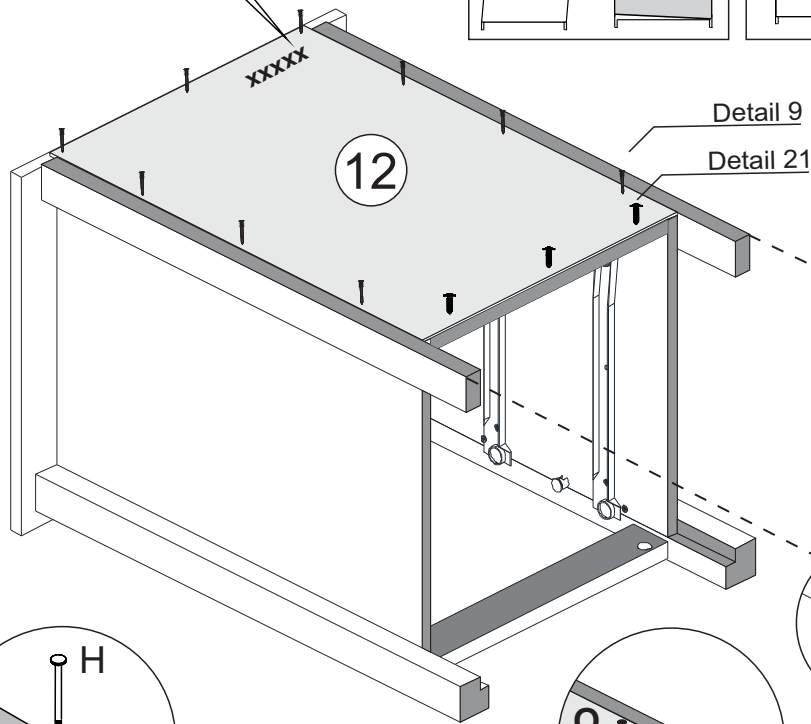
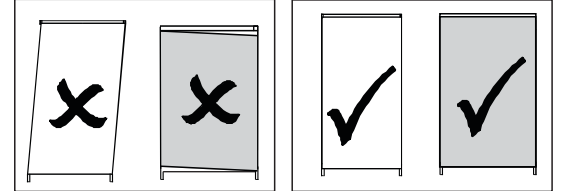
Q  03  
Ø3,5 x 10mm

H  09  
10x10

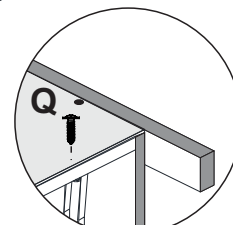
## TOOLS REQUIRED



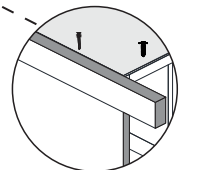
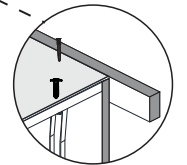
FOR YOUR REFERENCE  
ORDER NUMBER  
SHOULD BE HERE.



Detail 9



Detail 21



# STEP 15


## PARTS REQUIRED

11- DRAWER SIDE x6

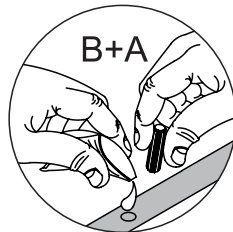
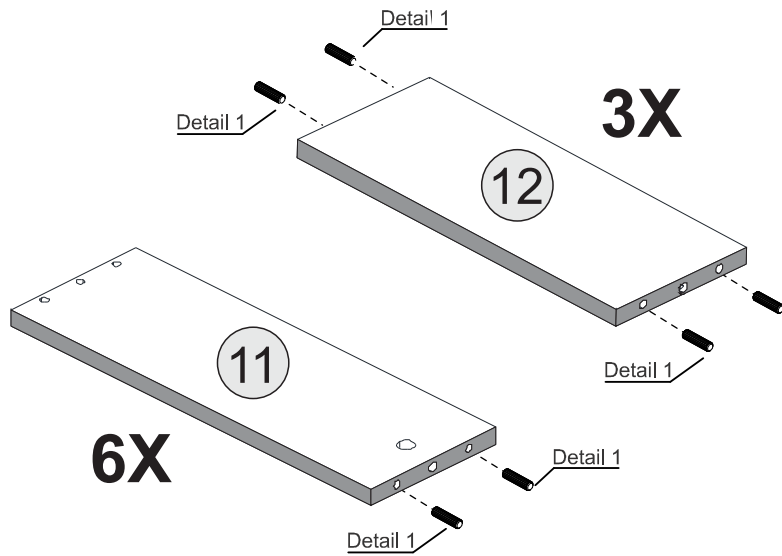
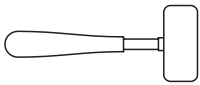
12- DRAWER BACK PANEL x3

## HARDWARE REQUIRED

A  01

B  Ø6,0 x 30mm 24

## TOOLS REQUIRED



Detail 1

# STEP 16


## PARTS REQUIRED

14- DRAWER FRONT (WHITE) x1

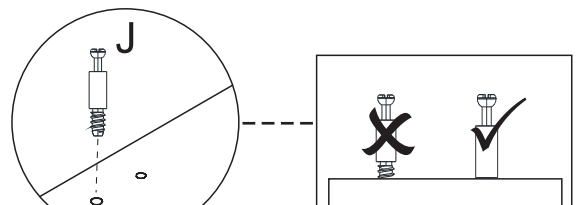
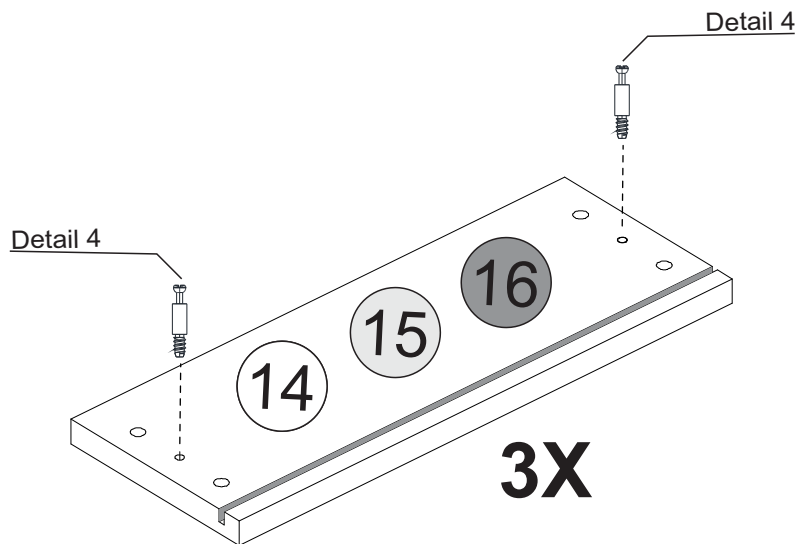
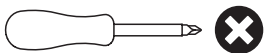
15- DRAWER FRONT (LIGHT GREY) x1

16- DRAWER FRONT (DARK GREY) x1

## HARDWARE REQUIRED

J  06

## TOOLS REQUIRED



Detail 4

# STEP 17

## PARTS REQUIRED

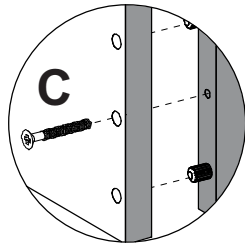
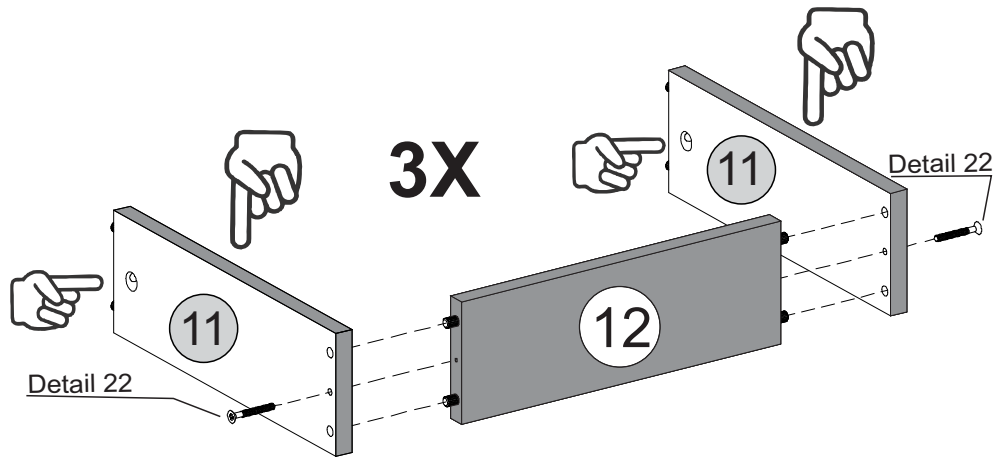
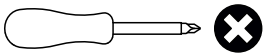
11- DRAWER SIDE x6

12- DRAWER BACK PANEL x3

## HARDWARE REQUIRED

C  06

## TOOLS REQUIRED



Detail 22

# STEP 18

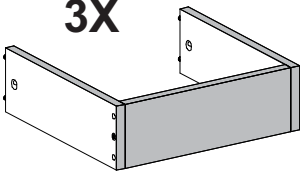
## PARTS REQUIRED

14- DRAWER FRONT (WHITE) x1


15- DRAWER FRONT (LIGHT GREY) x1

16- DRAWER FRONT (DARK GREY) x1

3X



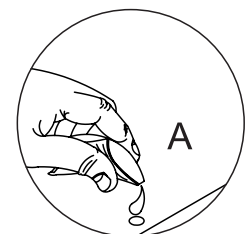
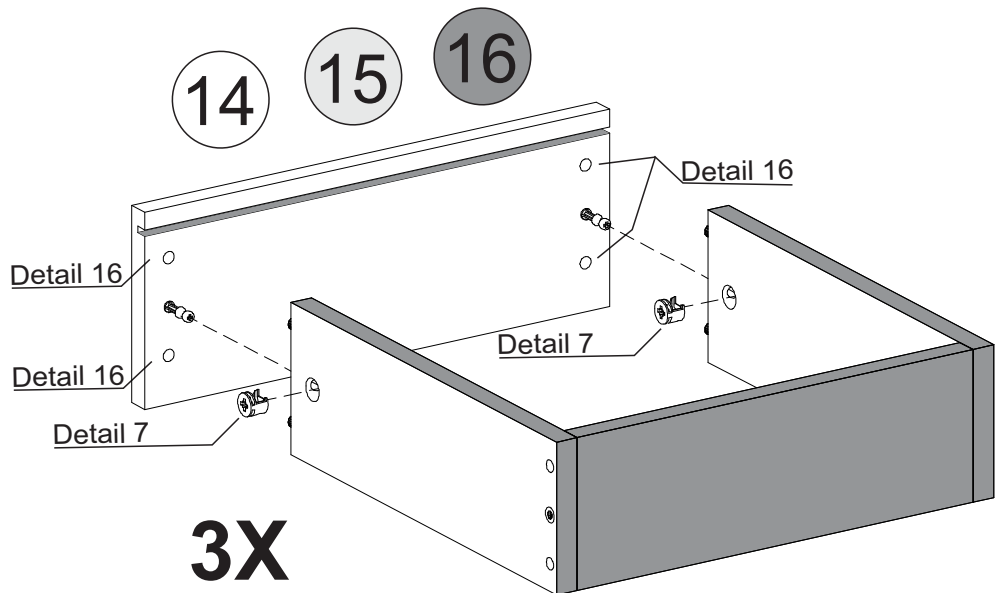
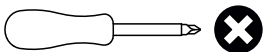
## HARDWARE REQUIRED

A  01

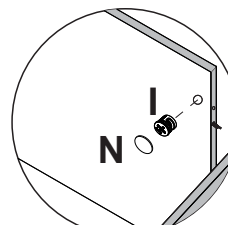
I  06

N  06

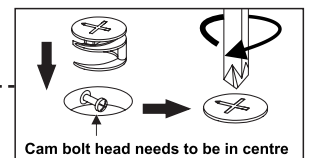
## TOOLS REQUIRED



Detail 16



Detail 7

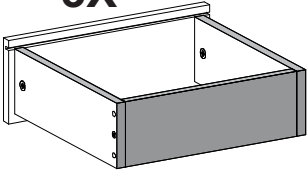


# STEP 19

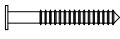
**PARTS REQUIRED**

13- DRAWER BOTTOM x3

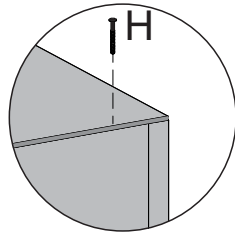
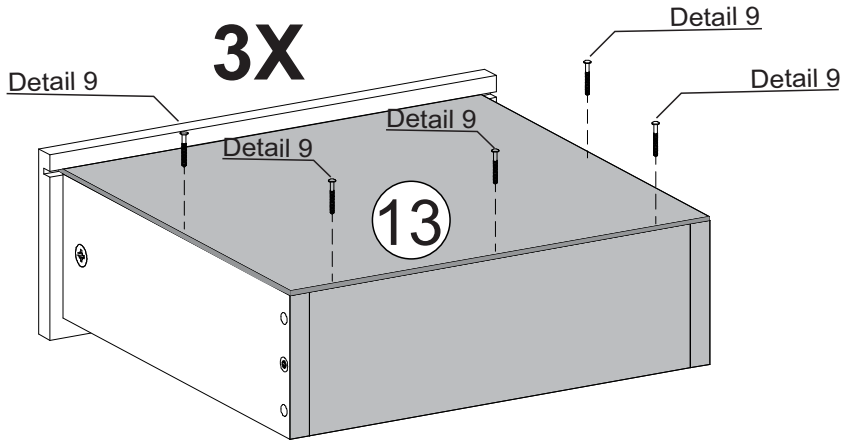
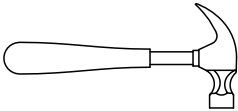
**3X**



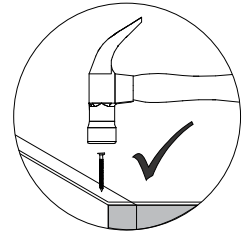
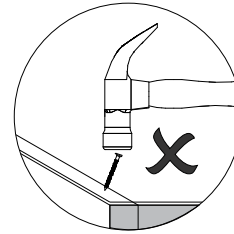
**HARDWARE REQUIRED**

H  15

**TOOLS REQUIRED**



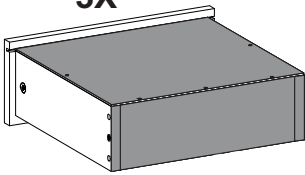
Detail 9



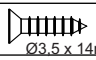
# STEP 20

**PARTS REQUIRED**

**3X**

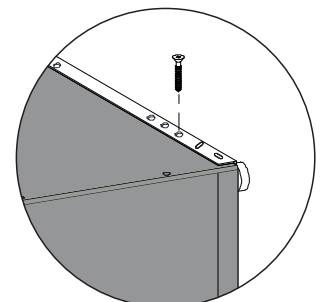
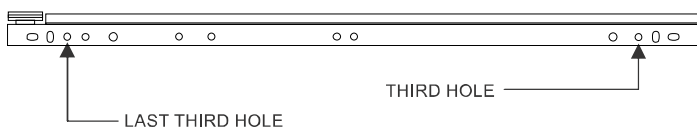
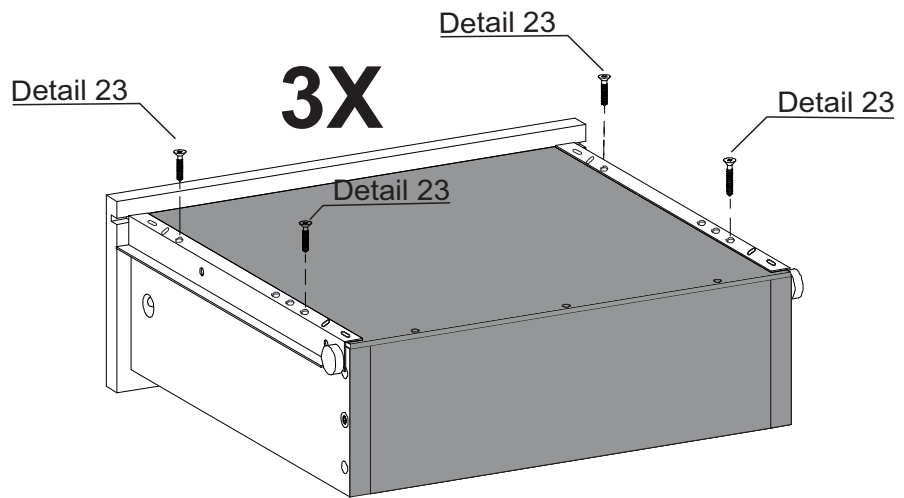
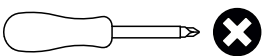


**HARDWARE REQUIRED**

M  12  
Ø3.5 x 14mm

E  03  
RIGHT  
LEFT

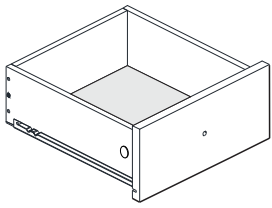
**TOOLS REQUIRED**



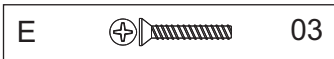
Detail 23

# STEP 21

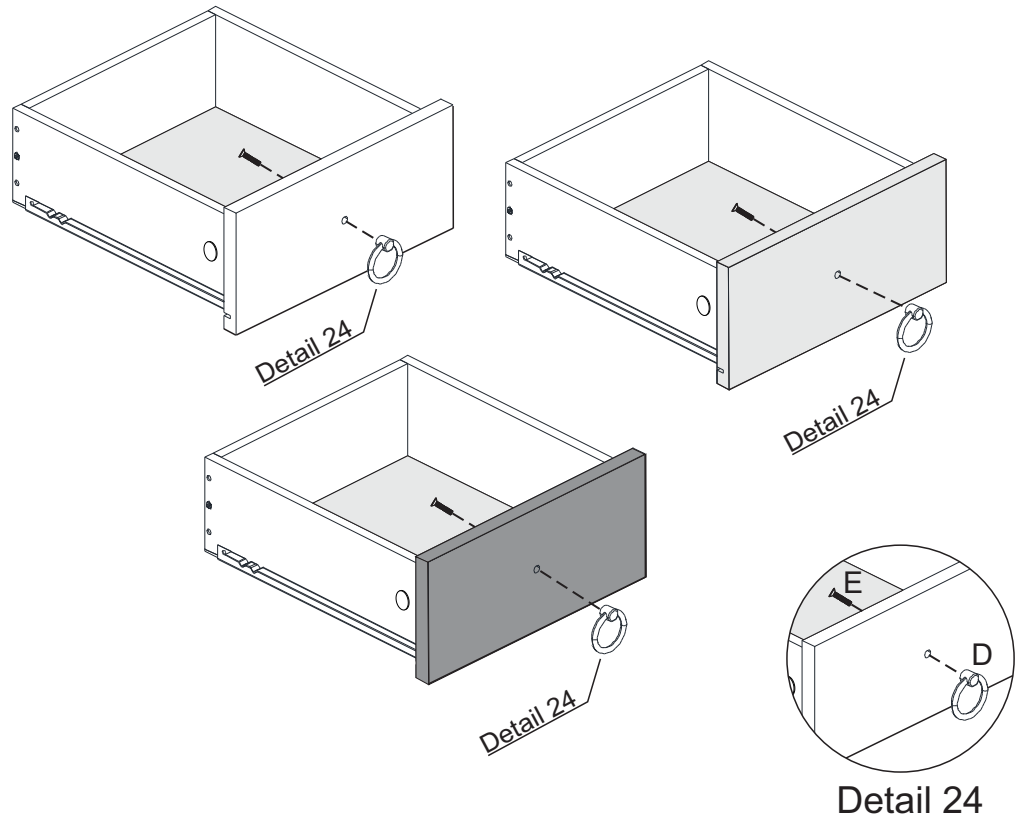
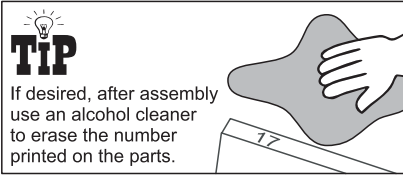
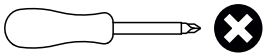
## PARTS REQUIRED



## HARDWARE REQUIRED

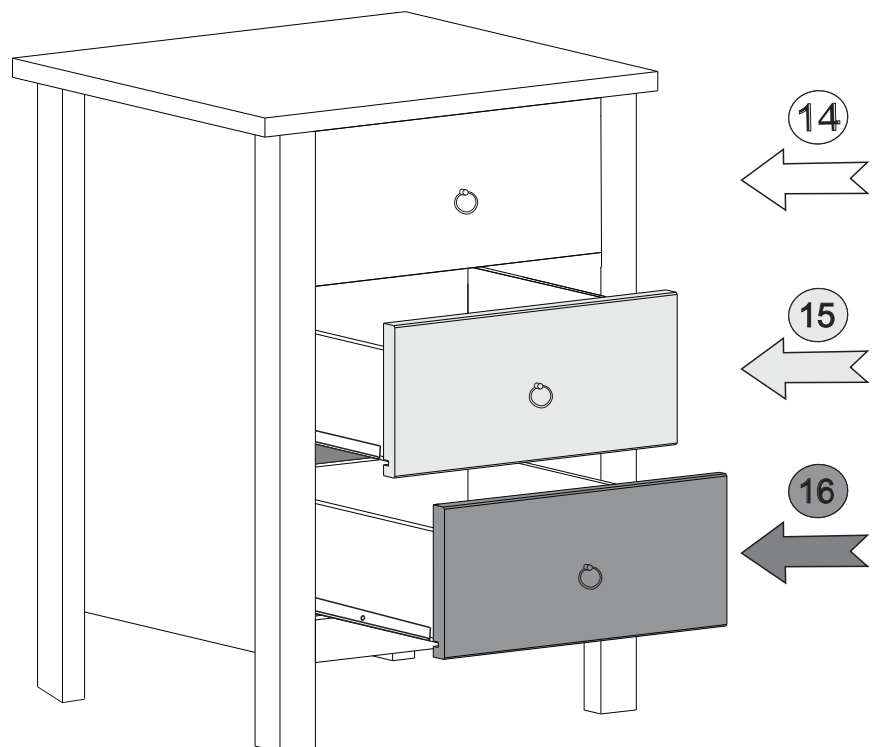
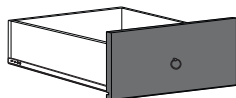
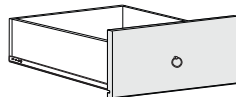
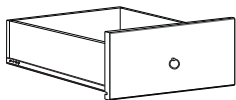
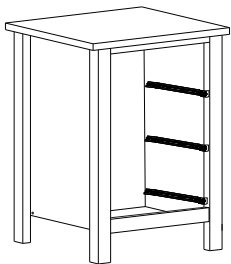


## TOOLS REQUIRED



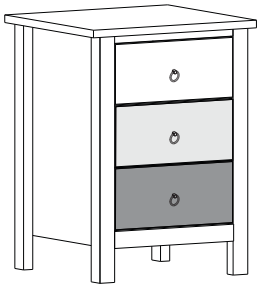
# STEP 22

## PARTS REQUIRED



# STEP 23

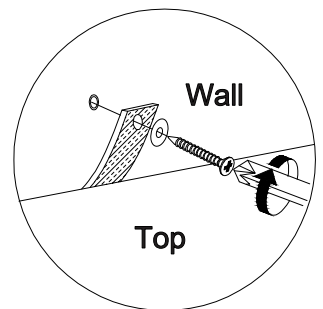
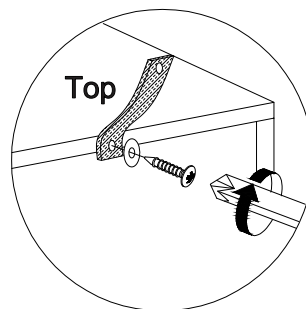
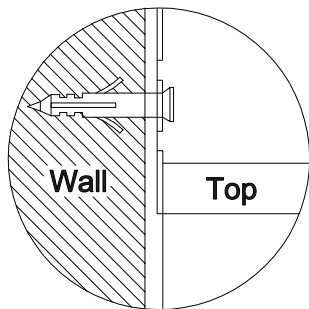
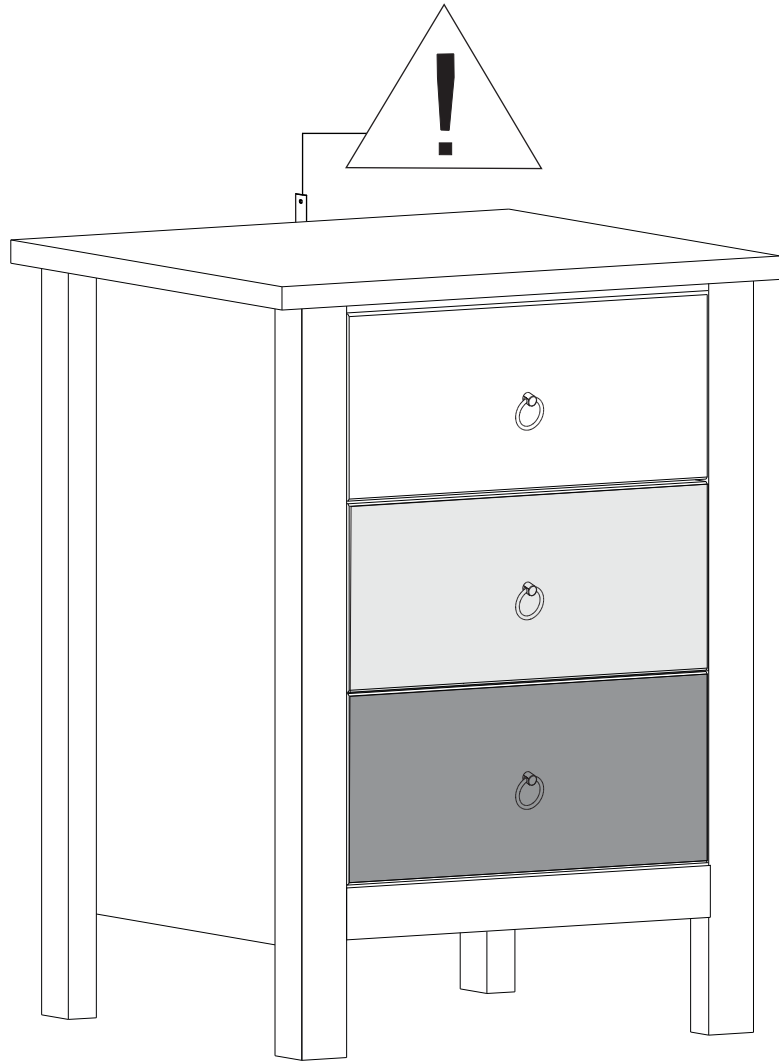
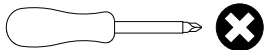
## PARTS REQUIRED



## HARDWARE REQUIRED

P  01

## TOOLS REQUIRED



## **WARNING**

**Serious or fatal injuries can occur from furniture tipping over. To prevent the furniture from tipping over we recommend that it is permanently fixed to the wall.**

Wall fixings are not supplied with this product as different wall materials require different types of fixing devices. Please make sure you use fixings suitable for the walls in your home.