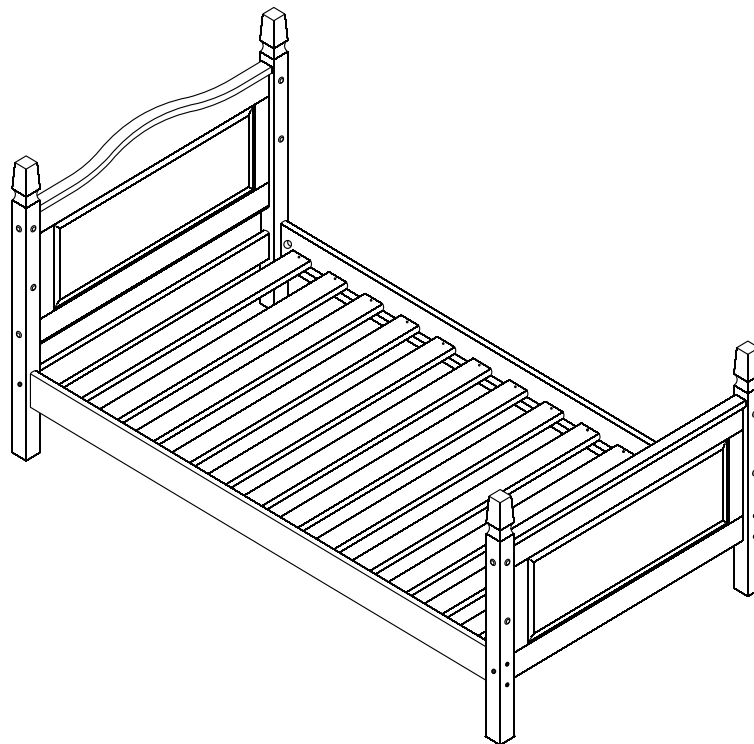
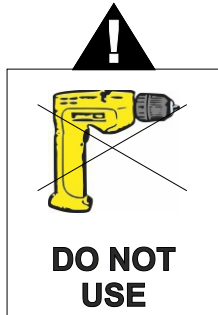


CORONA 3' HIGH END BED ASSEMBLY INSTRUCTIONS



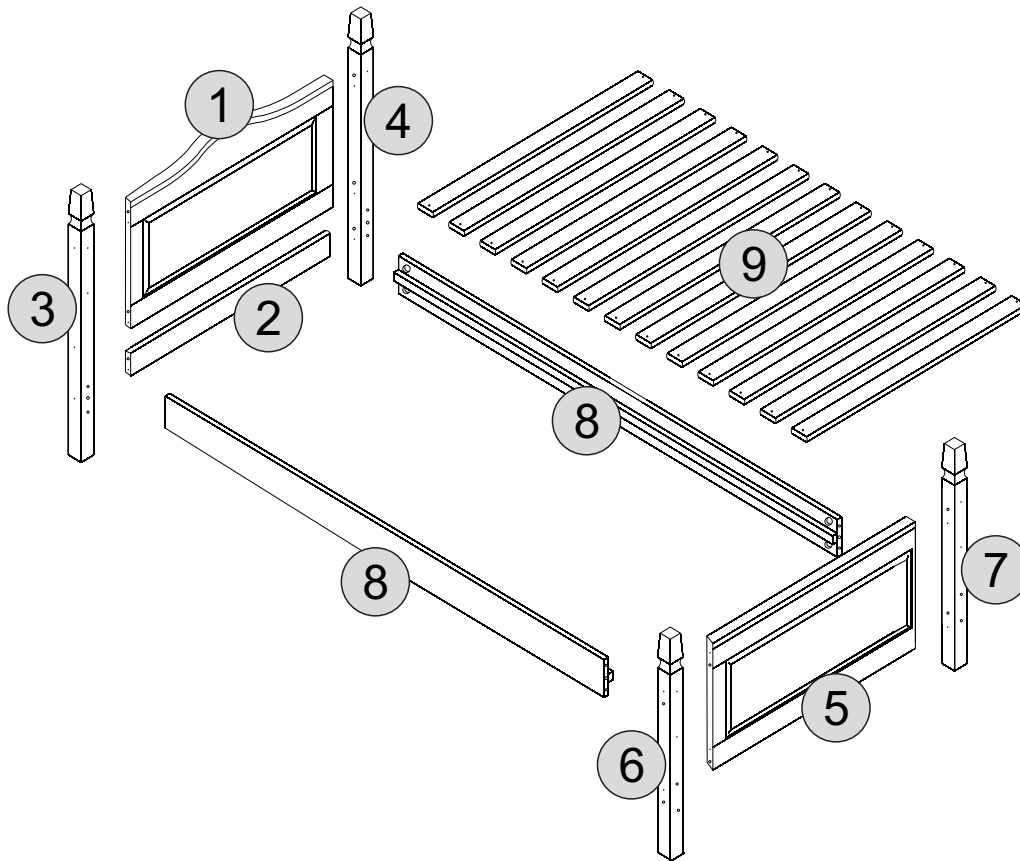
IMPORTANT

PLEASE READ BEFORE YOU CONTINUE FURTHER

CARE AND MAINTENANCE

After unpacking this product please keep the original packaging in case it needs to be returned for any reason.

- Please ensure all fittings and parts are present before commencing with assembly.
- We recommend that you lay a blanket or sheet on the floor to avoid damage to both your floor and the product.
- We strongly recommend that you keep children away from your work area.
- Assemble this product as close to its final position as possible.
- Never drag or push products as this could cause damage to the joints making it inferior.
- Do not place this product next to a radiator or in direct sunlight.
- Wood is a natural product and may expand if subjected to damp and may shrink or crack if subjected to heat. Therefore it is recommended that room temperature is maintained, with no sudden temperature fluctuations.
- Make sure any spillage is wiped off immediately.
- Do not place hot or chilled items directly on to the surface, use a place mat or marking will occur.
- For general cleaning use a duster, and do not use detergents of any kind. However, the surface will need to be retreated from time to time. This can be done by using block wax (unperfumed) and rubbing it over the whole item.
- From time to time it may be necessary to tighten fittings, regular inspections should be carried out.



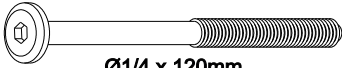
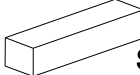

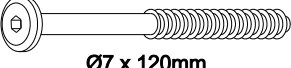
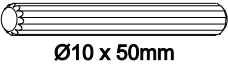

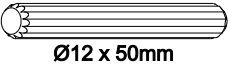
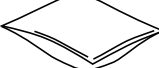


* Use of power tools to assemble this product will invalidate any claim and damage this product making it unsafe !!!
 * Please assemble on a clean soft surface to avoid damage.

* Please check contents and read the instructions before commencing assembly.
 * Assemble this product following the enclosed instructions carefully.
 * Please take care to avoid damaging panels during assembly.

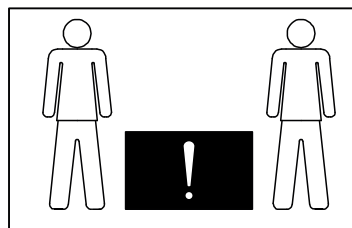
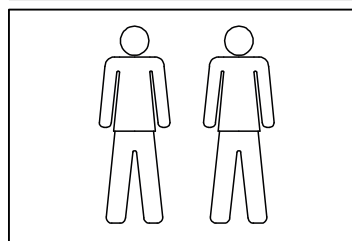
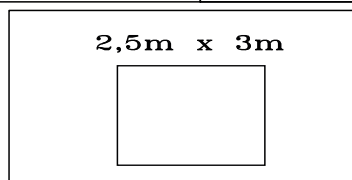
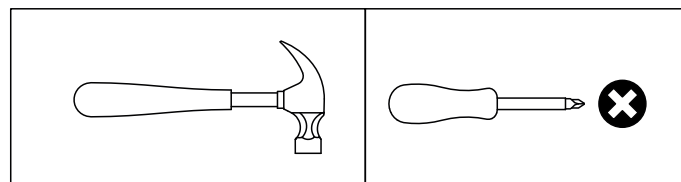
PARTS LIST

Part Number	Part Code	Part Description	Quantity	Carton
1	S200-201-009-LT1-01	Headboard Panel	1	1/4
2	S200-201-009-LT1-02	Crossbeam	1	3/4
3	S200-201-009-LT1-03	Left Headboard Post	1	2/4
4	S200-201-009-LT1-04	Right Headboard Post	1	2/4
5	S200-201-009-LT1-05	Footboard Panel	1	1/4
6	S200-201-009-LT1-06	Left Footboard Post	1	2/4
7	S200-201-009-LT1-07	Right Footboard Post	1	2/4
8	S200-201-009-LT1-08	Siderail	2	3/4
9	S200-201-009-LT1-09	Slats	13	4/4

FITTINGS

A	 $\varnothing 14 \times 120\text{mm}$	08	F	 SPACER	02
B	 $1/4$	08	G	 $\varnothing 7 \times 120\text{mm}$	10
C	 $\varnothing 10 \times 50\text{mm}$	12	H		08
D	 $\varnothing 12 \times 50\text{mm}$	04	J		01
E		01	K	 $\varnothing 3,5 \times 35\text{mm}$	26

TOOLS REQUIRED



STEP 1

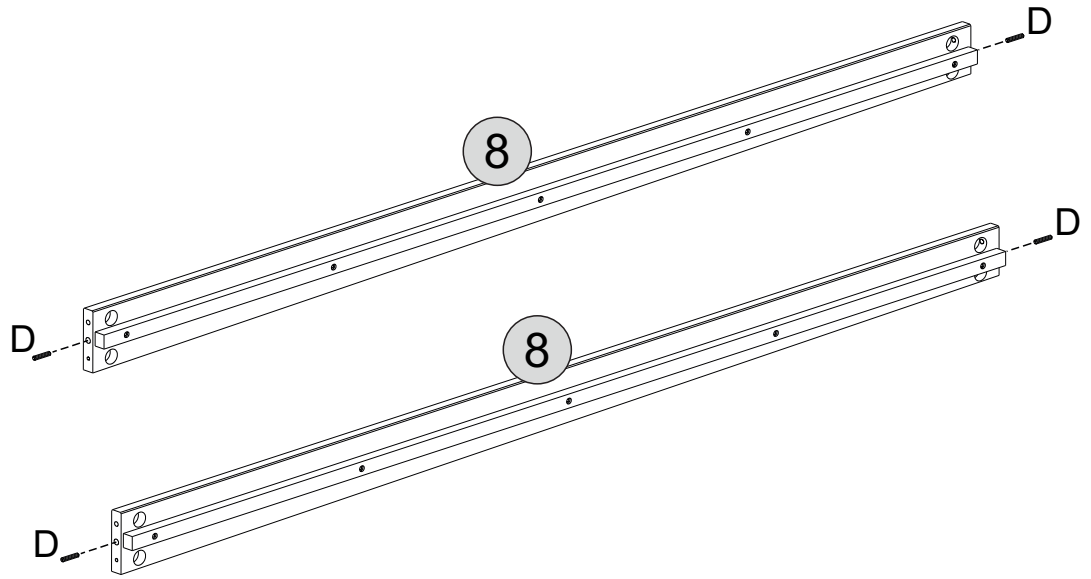
PARTS REQUIRED

8 - SIDERAIL x2

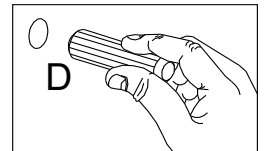
HARDWARE REQUIRED

D  04
Ø12 x 50mm

TOOLS REQUIRED



 Please assemble on a clean soft surface to avoid damage.



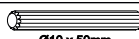
STEP 2

PARTS REQUIRED

1 - HEADBOARD PANEL x1

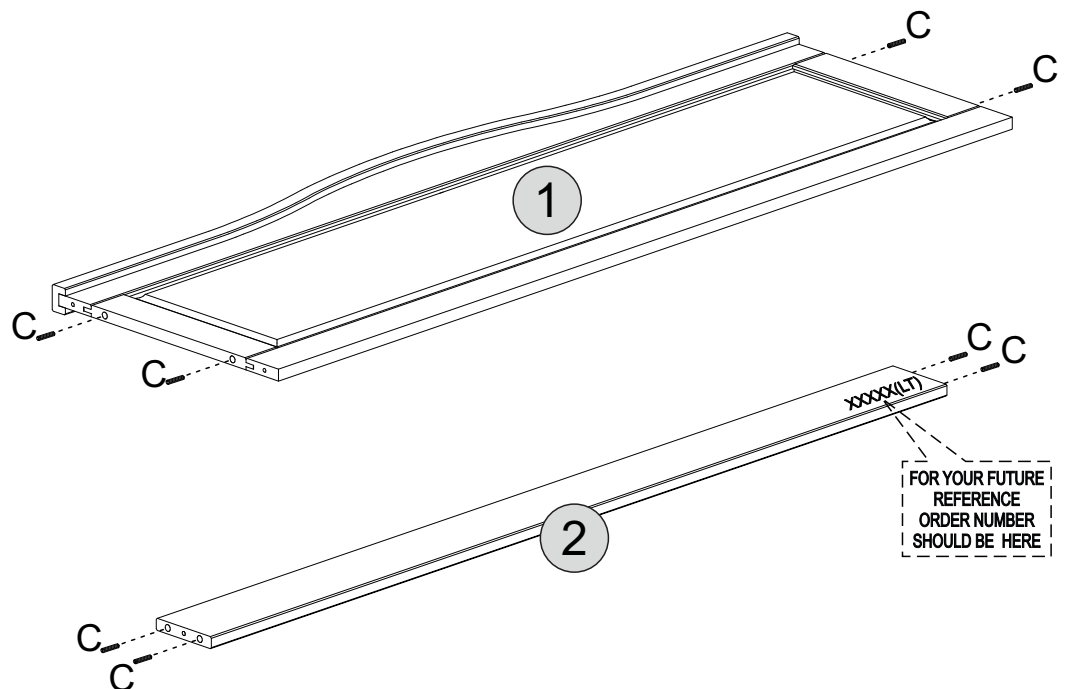
2 - CROSSBEAM x1

HARDWARE REQUIRED


C  08
Ø10 x 50mm

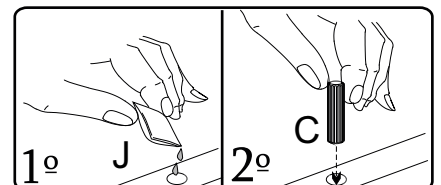
J  01

TOOLS REQUIRED



 Please assemble on a clean soft surface to avoid damage.

 Glue must be added to the dowel holes on parts 1 and 2.

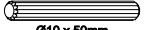


STEP 3

PARTS REQUIRED

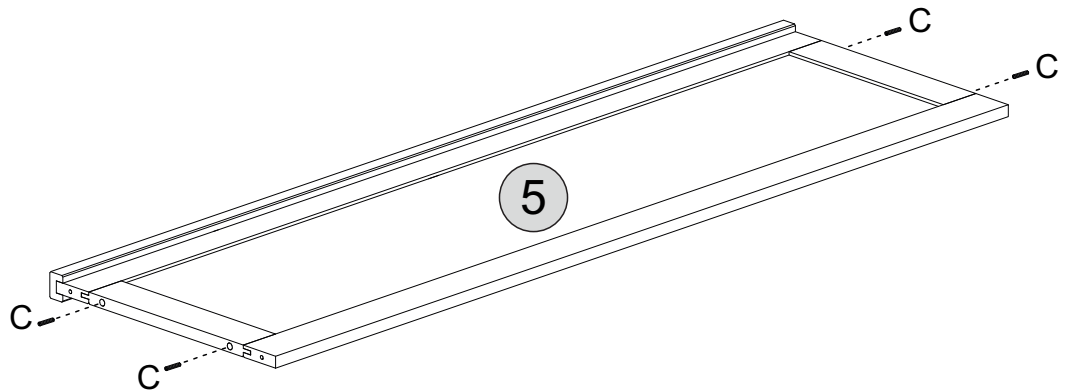
5 - FOOTBOARD PANEL x1

HARDWARE REQUIRED


C  04
Ø10 x 50mm

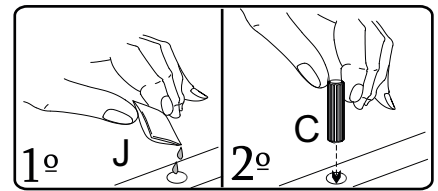
J  01

TOOLS REQUIRED




Please assemble on a clean soft surface to avoid damage.


Glue must be added to the dowel holes on part 5.



STEP 4

PARTS REQUIRED


1 - HEADBOARD PANEL x1

2 - CROSSBEAM x1

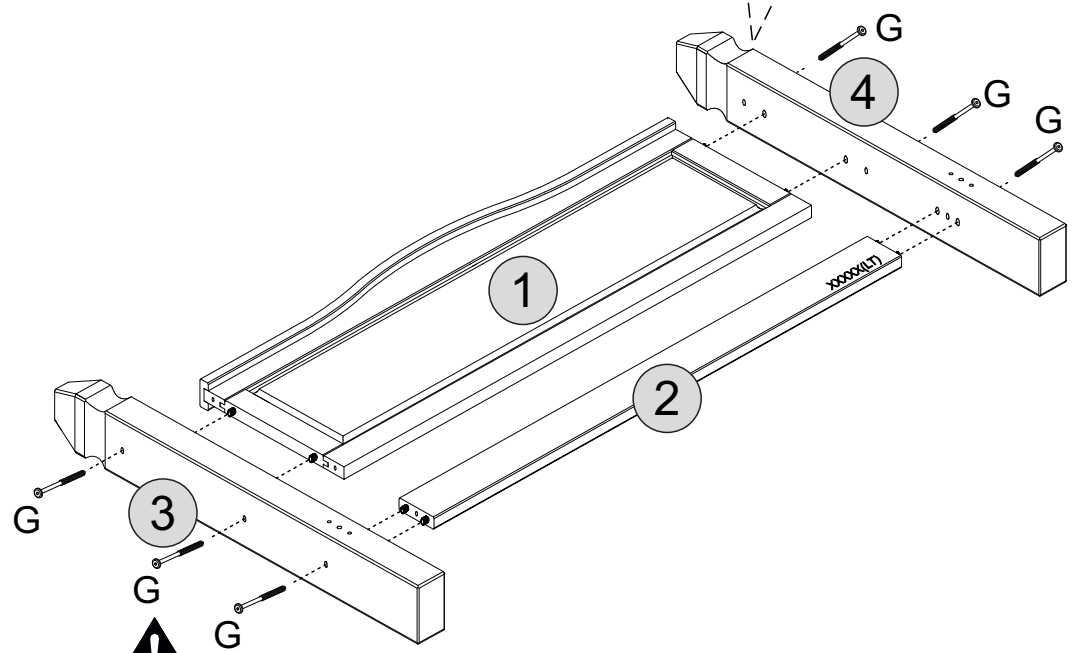
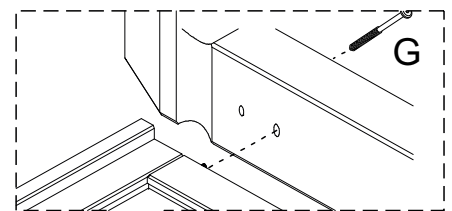
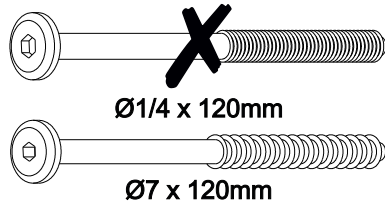
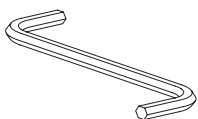
3 - LEFT HEADBOARD POST x1


4 - RIGHT HEADBOARD POST x1

HARDWARE REQUIRED

G  06
Ø7 x 120mm

TOOLS REQUIRED



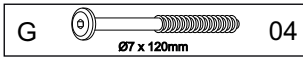

Please assemble on a clean soft surface to avoid damage.

STEP 5

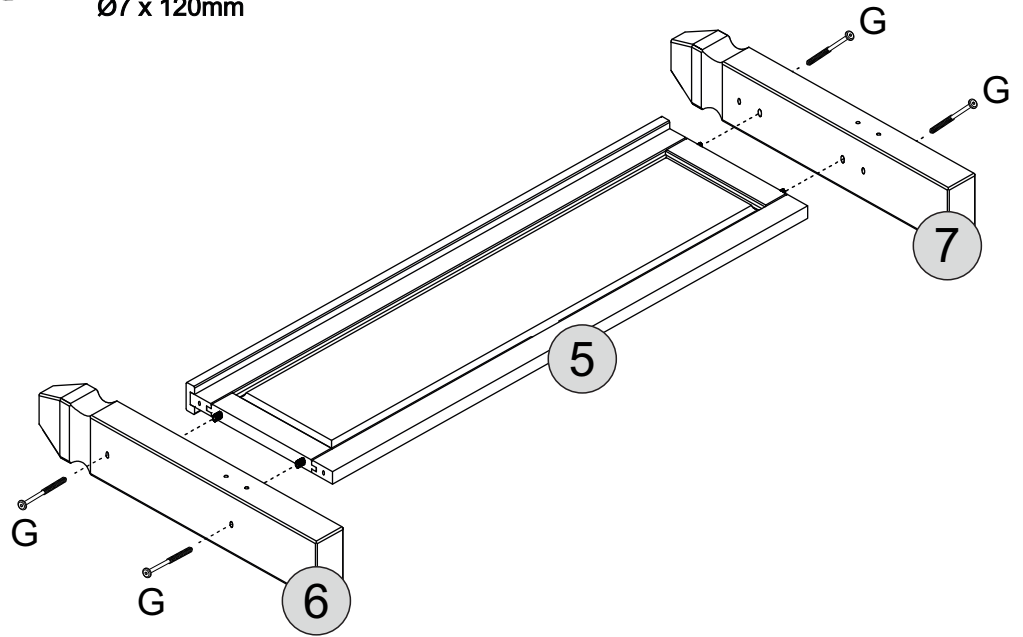
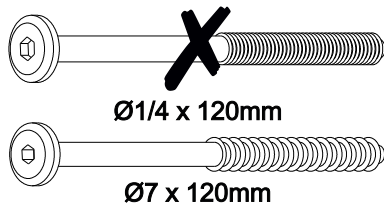
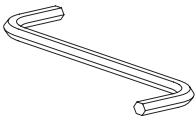
PARTS REQUIRED

- 5 - FOOTBOARD PANEL x1
- 6 - LEFT FOOTBOARD POST x1
- 7 - RIGHT FOOTBOARD POST x1

HARDWARE REQUIRED



TOOLS REQUIRED

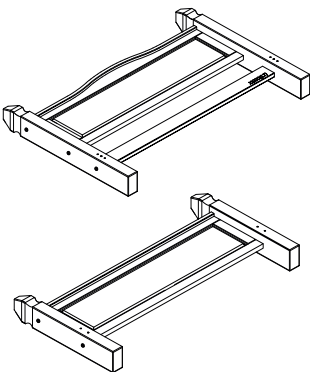


!
Please assemble on a clean soft surface to avoid damage.

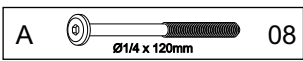
STEP 6

PARTS REQUIRED

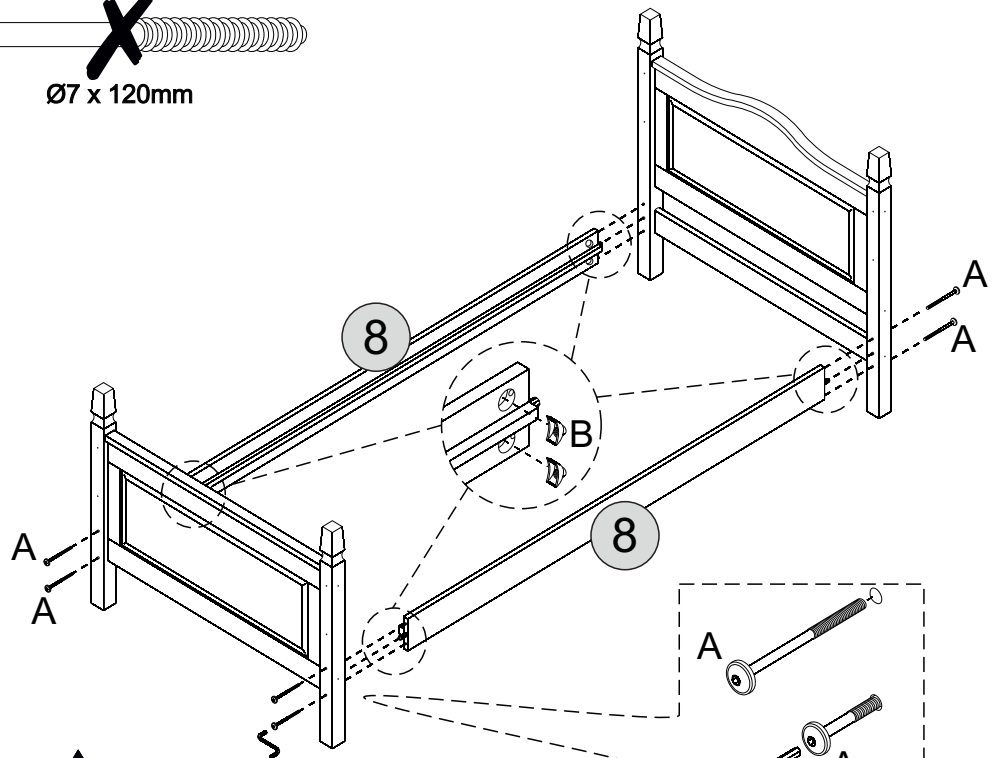
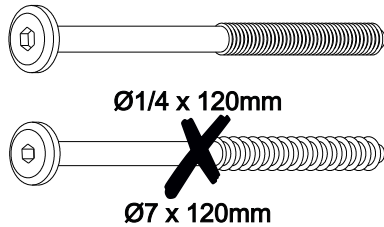
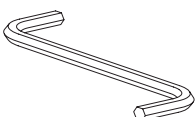
- 8 - SIDERAIL x2



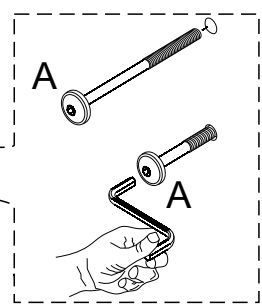
HARDWARE REQUIRED



TOOLS REQUIRED



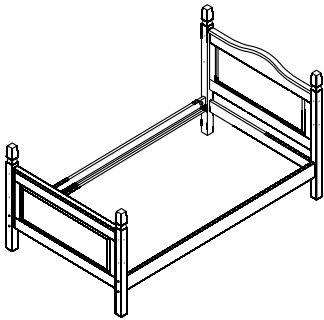
!
Please assemble on a clean soft surface to avoid damage.



STEP 7

PARTS REQUIRED

9 - SLATS x13

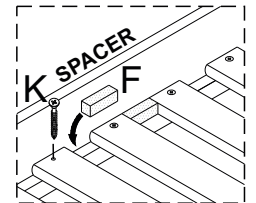
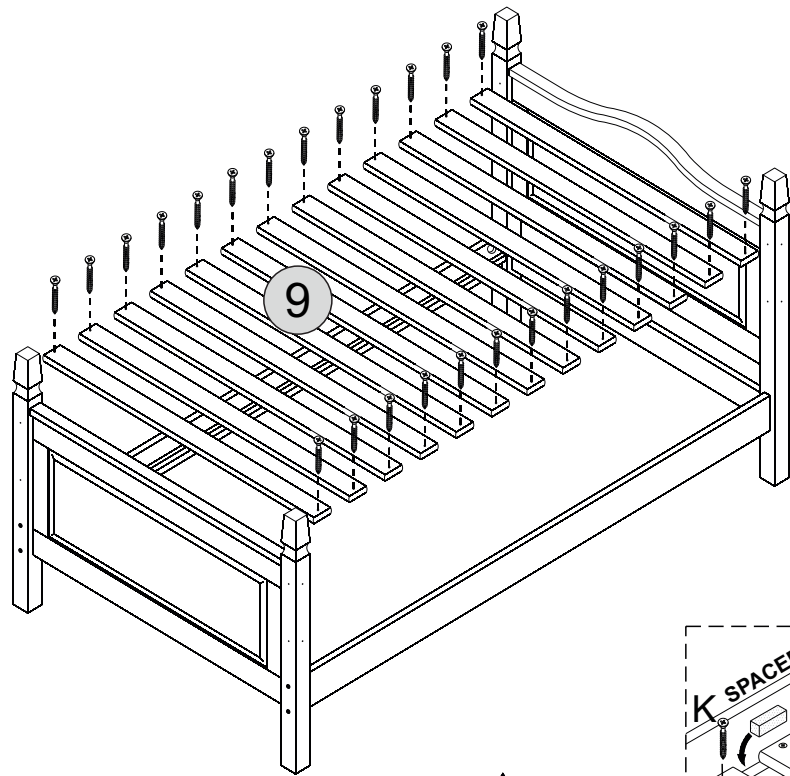
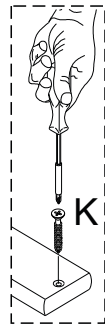
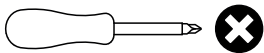


HARDWARE REQUIRED

F SPACER 02

K Ø3,5 x 35mm 26

TOOLS REQUIRED

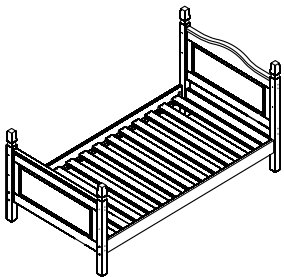


Please assemble on a clean soft surface to avoid damage.

Please fix the first slats adjacent to the headboard and footboard and work towards the middle of the bed using the spacer (f) as shown to ensure the correct spacing. Fix all the slats to one siderail first then push the second siderail tight against the slats and fix.

STEP 8

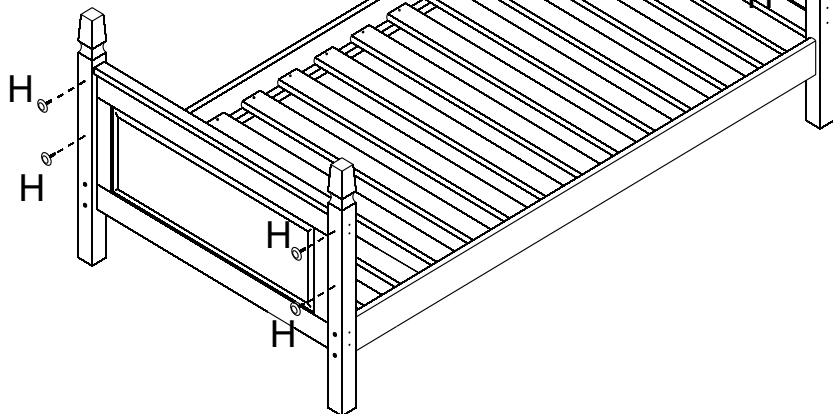
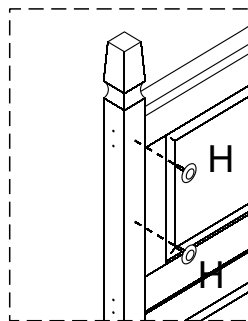
PARTS REQUIRED



HARDWARE REQUIRED

H 08

TOOLS REQUIRED



Please assemble on a clean soft surface to avoid damage.