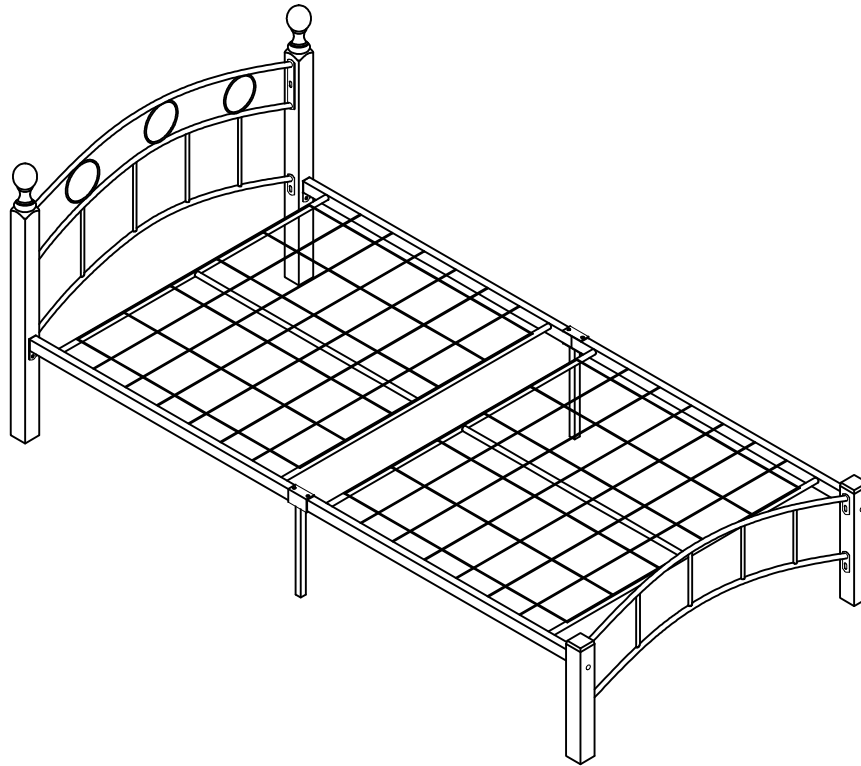


LUTON 3' BED

ASSEMBLY INSTRUCTION



FOR DOMESTIC USE ONLY

IMPORTANT

PLEASE READ BEFORE YOU CONTINUE FURTHER

THE PRODUCT YOU HAVE PURCHASED WILL GIVE YOU MANY YEARS OF SERVICE IF YOU FOLLOW THE GUIDELINES FOR ITS SAFE ASSEMBLY AND PERIODIC MAINTENANCE AND CLEANING.

DO NOT USE ANY TOOLS OTHER THAN THOSE SHOWN.

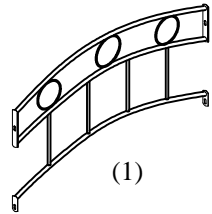
ANY SPANNERS OR ALLEN KEYS REQUIRED ARE INCLUDED WITH THE FITTINGS KIT.

DO NOT FOR ANY REASON USE A POWER TOOL TO ASSEMBLE THIS PRODUCT. ITS USE WILL INVALIDATE ANY CLAIM YOU MAY HAVE AND COULD MAKE THIS PRODUCT UNSAFE.

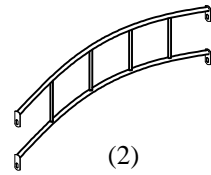
DEPENDING ON THE AMOUNT OF USE THIS PRODUCT RECEIVES IT MAY BE NECESSARY TO TIGHTEN UP THE FIXINGS FROM TIME TO TIME. THIS IS COMPLETELY NORMAL FOR ANY FLAT PACK FURNITURE. DO NOT OVER TIGHTEN FIXINGS.

PLEASE CLEANING YOU MAY A DAMP CLOTH (NOT WET) OR DRY DUSTER.

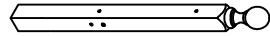
PART LIST



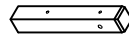
(1)



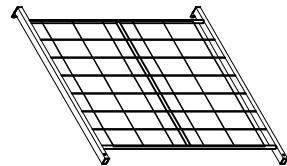
(2)



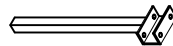
(3)



(4)






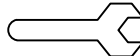



(5)



(6)

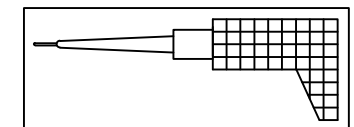
HARDWARE LIST

A		JCBB M6 X 60MM	4 PCS
B		JCBC M6 X 50MM	4 PCS
C		JCBC M6 X 20MM	12 PCS
D		4MM ALLEN KEY	1 PC
E		M6 HEX NUT	4 PCS
F		SPANNER	1 PC
G		PLASTIC STOPPER	2 PCS

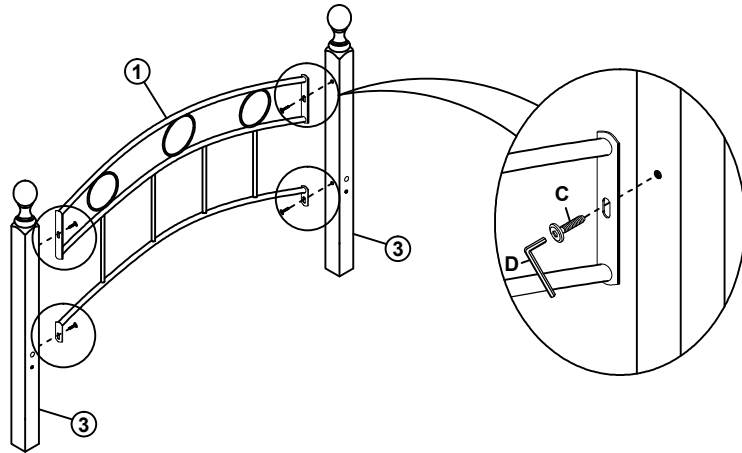
1	HEADBOARD	1 PC
2	FOOTBOARD	1 PC
3	HEADBOARD POST	2 PCS
4	FOOTBOARD POST	2 PCS
5	METAL BASE	2 PCS
6	SUPPORTER	2 PCS

PLEASE CHECK THAT YOU HAVE ALL THE PARTS LISTED BEFORE YOU START ASSEMBLING. IF YOU DO FIND THAT SOMETHING IS MISSING, DO NOT CONTINUE ASSEMBLY. PLEASE CONTACT YOUR SUPPLIER IMMEDIATELY.

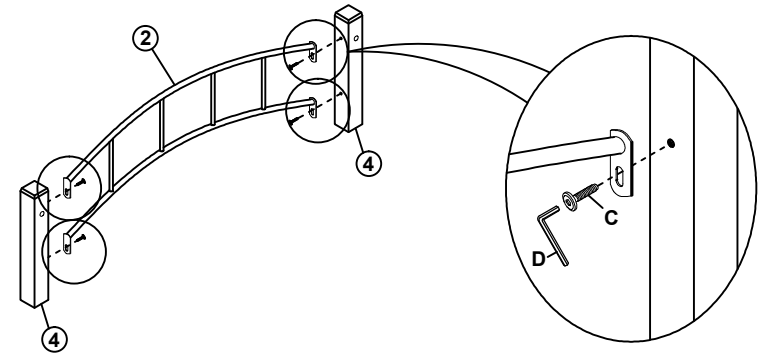
USE OF POWER TOOLS TO ASSEMBLE THIS PRODUCT WILL INVALIDATE ANY CLAIM AND MAY DAMAGE THIS PRODUCT MAKING IT UNSAFE



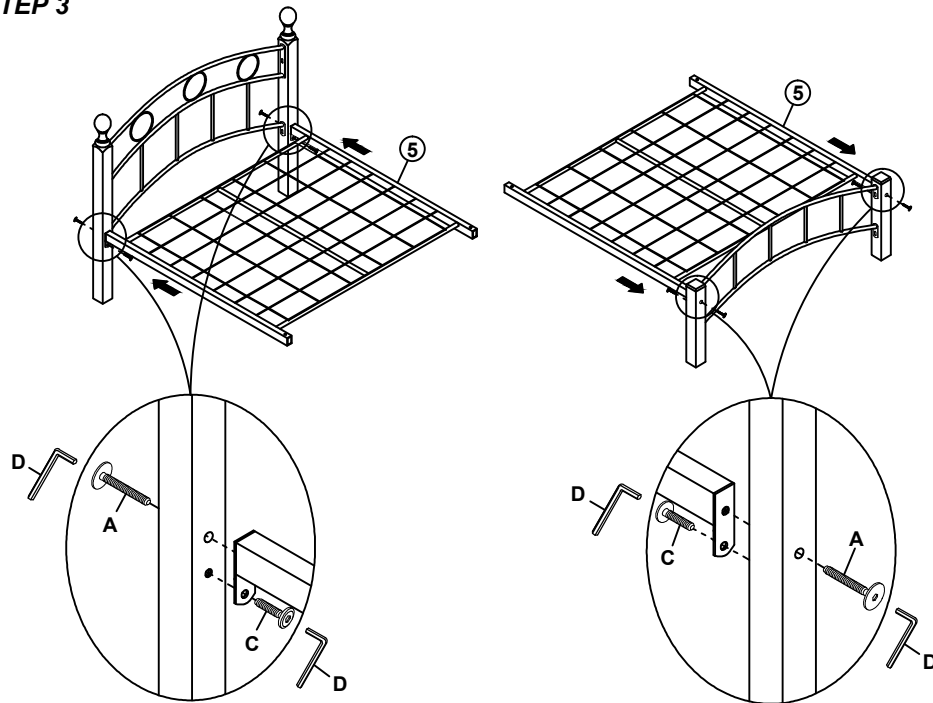
STEP 1



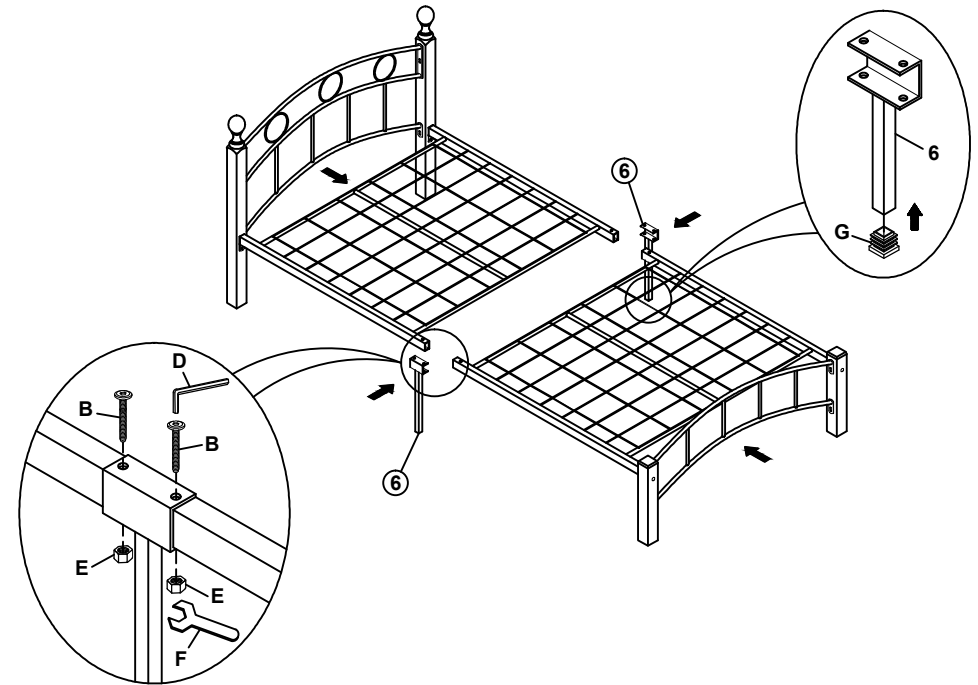
STEP 2



STEP 3



STEP 4



USE OF POWER TOOLS TO ASSEMBLE THIS PRODUCT WILL INVALIDATE ANY CLAIM AND MAY DAMAGE THIS PRODUCT MAKING IT UNSAFE

