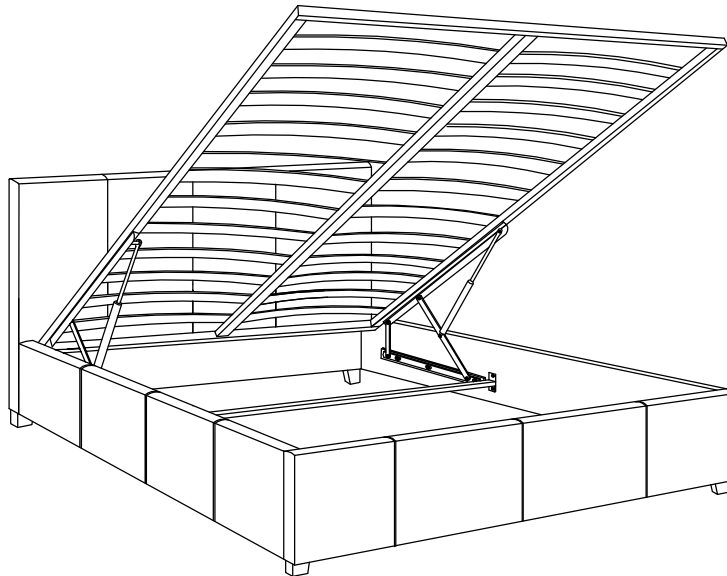


WAVERLEY 5` STORAGE BED ASSEMBLY INSTRUCTIONS



IMPORTANT

PLEASE READ BEFORE YOU CONTINUE FURTHER

THE PRODUCT YOU HAVE PURCHASED WILL GIVE YOU MANY YEARS OF SERVICE IF YOU FOLLOW THE GUIDELINES FOR ITS SAFE ASSEMBLY AND PERIODIC MAINTENANCE AND CLEANING.

ASSEMBLE ON A SOFT CLEAN SURFACE.

DO NOT USE ANY TOOLS OTHER THAN THOSE SHOWN.

ANY SPANNERS OR ALLEN KEYS REQUIRED ARE INCLUDED WITH THE FITTINGS KIT.

DO NOT FOR ANY REASON USE A POWER TOOL TO ASSEMBLE THIS PRODUCT. ITS USE WILL INVALIDATE ANY CLAIM YOU MAY HAVE AND COULD MAKE THIS PRODUCT UNSAFE.

DEPENDING ON THE AMOUNT OF USE THIS PRODUCT RECEIVES IT MAY BE NECESSARY TO TIGHTEN UP THE FIXINGS FROM TIME TO TIME. THIS IS COMPLETELY NORMAL FOR ANY FLAT PACK FURNITURE.

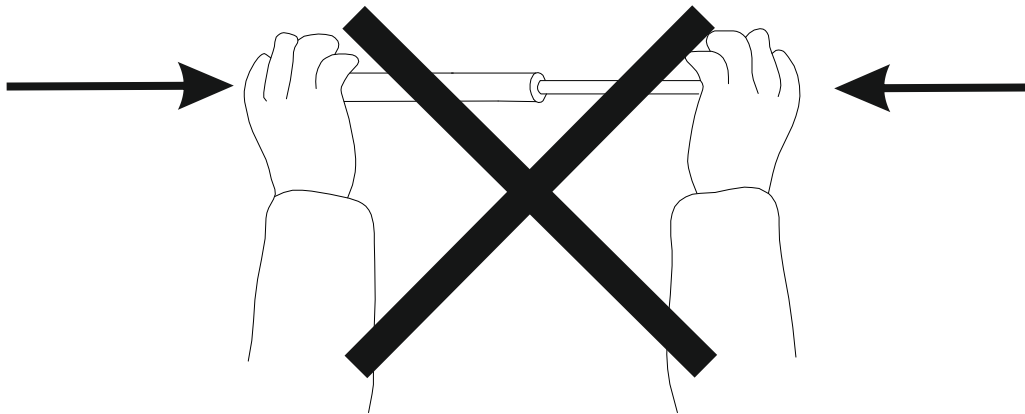
DO NOT OVERTIGHTEN FIXINGS.

FOR CLEANING YOU MAY USE A DAMP CLOTH (NOT WET).

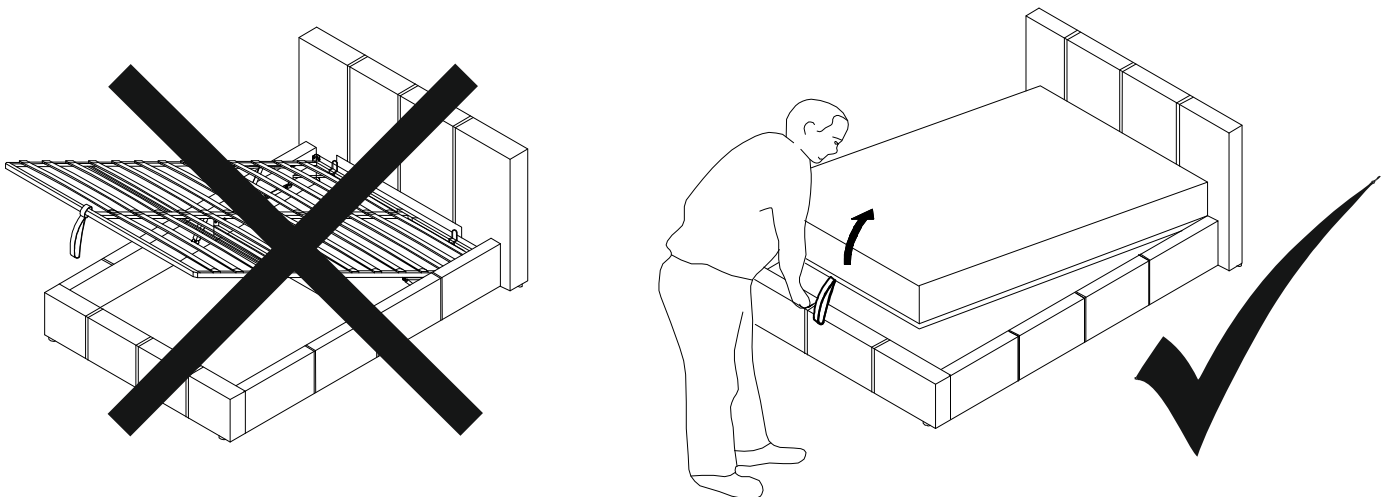
THIS PRODUCT MAY STAIN OR MARK IF ALLOWED TO COME INTO CONTACT WITH WET OR DAMP OBJECTS AS MATERIALS USED HAVE NOT BEEN SCOTCH GUARDED.

Important information!

The gas lifts used in the construction of this product are extremely strong and cannot be operated by hand when not fitted to the ottoman hinges. All gas lifts are tested in the factory for correct pressure and operation before use.



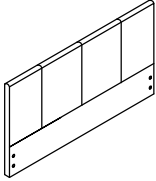
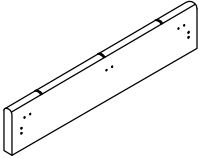
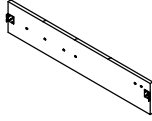
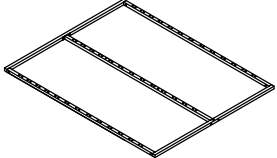
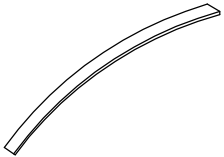

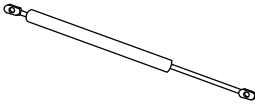
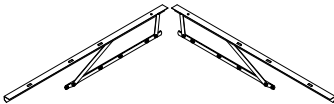
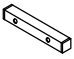
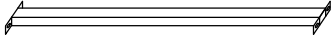
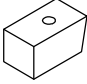
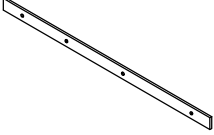
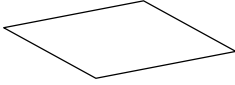
You must ensure the **MATTRESS** is on the bed frame before lifting the mechanism.
FAILURE TO DO SO MAY RESULT IN INJURY.




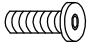


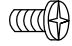





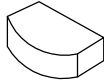
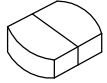
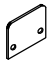





Initially it might appear that the gas lifts are very stiff when opening and closing the ottoman frame, **THIS IS NORMAL.**

After operating the ottoman a few times, the movement of the gas lifts and the opening and closing of the ottoman will become easier.








Parts List

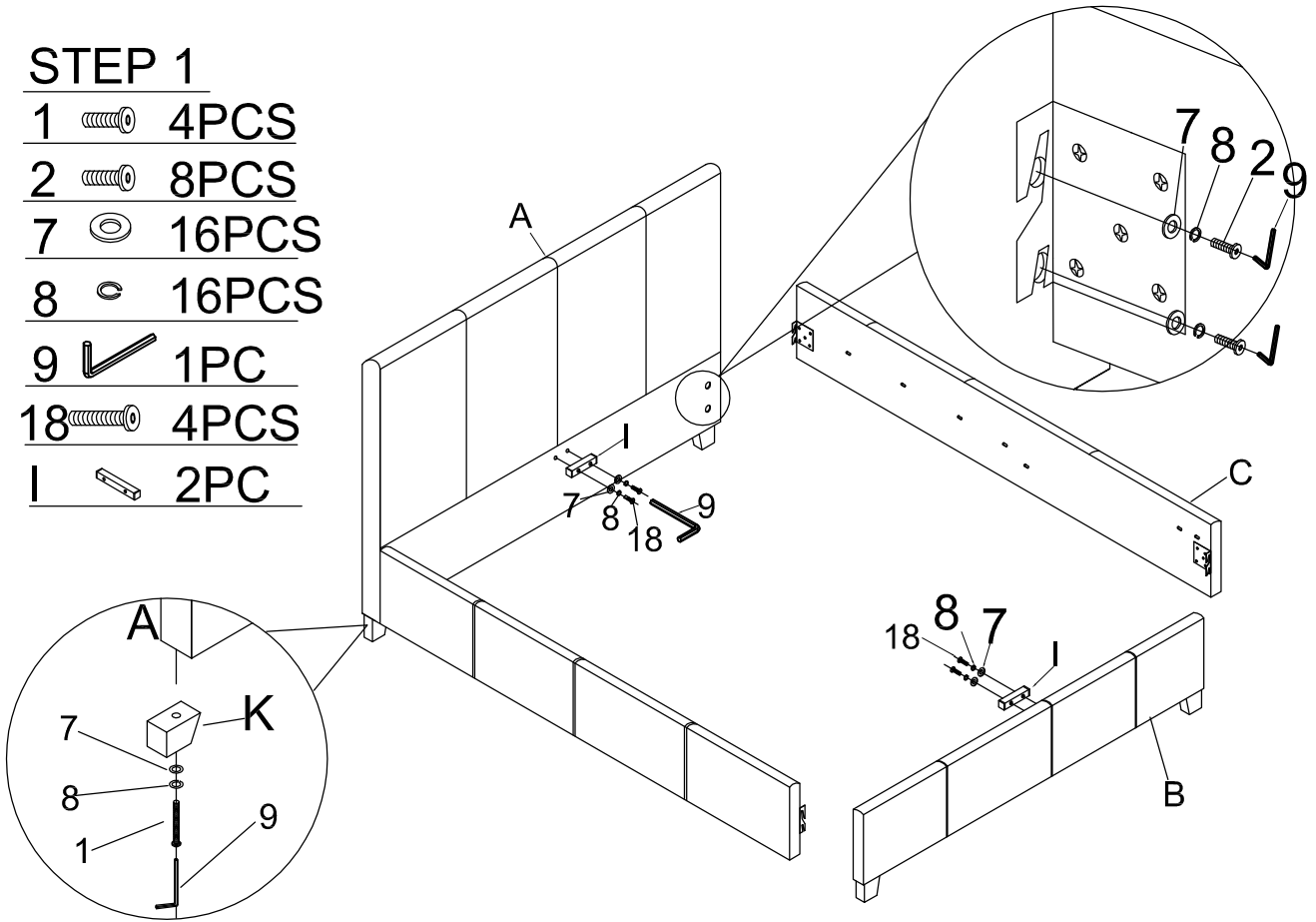
A:HEADBOARD 1PC 	B:FOOTBOARD 1PC 	C:SIDE RAIL 2PCS LEFT AND RIGHT 	D: FRAME KD 1SETS 
E:SLAT 24PCS 	F:CORNER BRACKET 2PCS 	G:GAS LIFT 2PCS 	H:HINGES LEFT AND RIGHT 2PCS 
I:SUPPORT BLOCK 2PCS 	J : CROSS BAR 1PC 	K : LEG 4PCS 	L : SIDEBAR 2PCS 
M : NON-WOVEN BED BASE 1PC 			

Hardware List

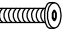






1:BOLT 16PCS  M8X45mm	2:BOLT 8PCS  M8X30mm	3:BOLT 8PCS  M6X40mm	4:BOLT 12PCS  M6X20mm	5:FLANGE NUT 4PCS  M6X10mm	6:NUT 12PCS 
7:FLAT WASHER 28PCS  M8	8:SPRING WASHER 28PCS  M8	9:ALLEN KEY 1PC  M8	10:SPANNER 1PC 	11:SLAT CAP 24PCS 	12:DOUBLE PLASTIC CAP 12PCS 
13:METAL PLATE 1PC 	14:ALLEN KEY 1PC  M6	15:FLAT WASHER 20PCS  M6	16:SPRING WASHER 20PCS  M6	17 1PC 	18:BOLT 4PCS  M8X55mm

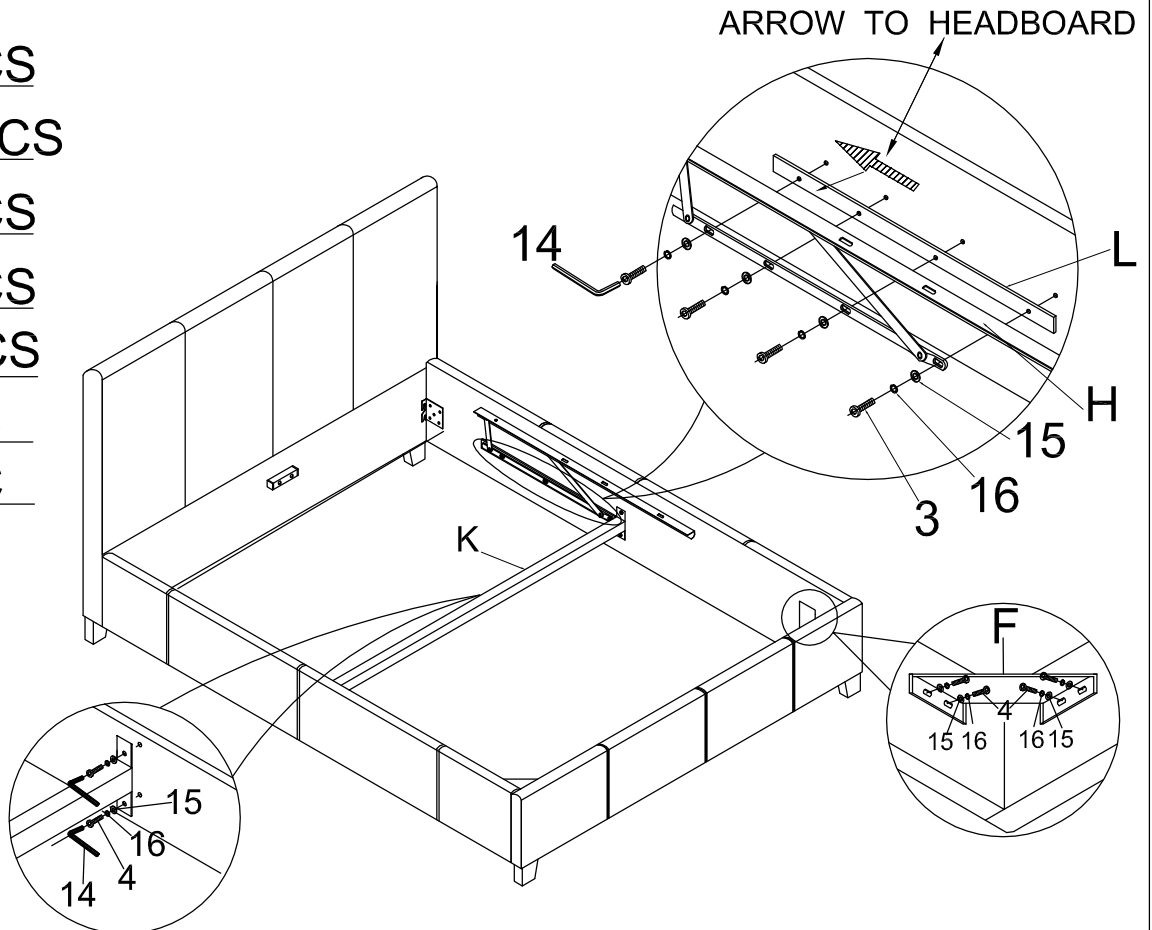
STEP 1

- 1  4PCS
- 2  8PCS
- 7  16PCS
- 8  16PCS
- 9  1PC
- 18  4PCS
- I  2PC

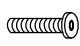









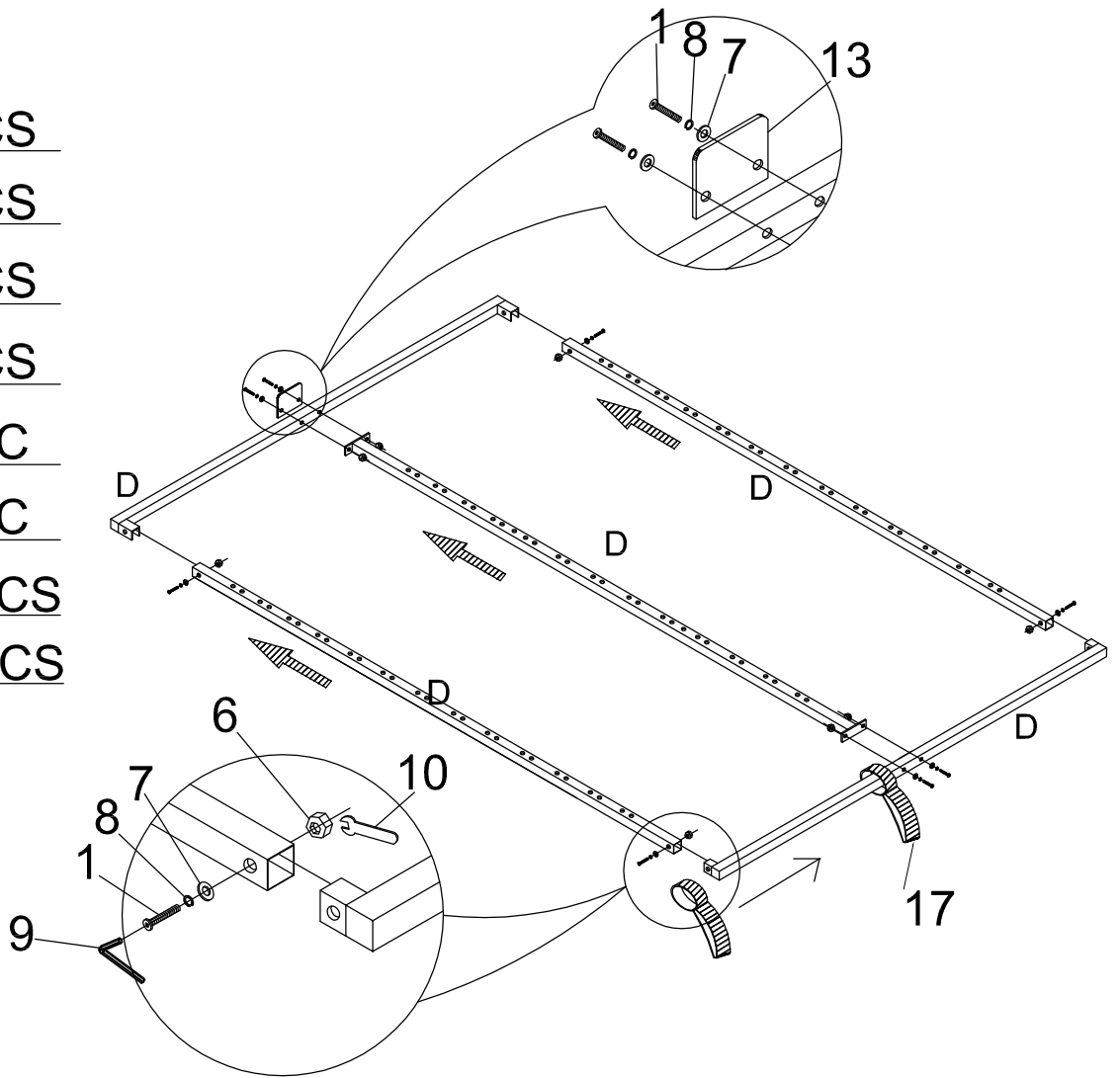
STEP 2

- 3  8PCS
- 4  12PCS
- 15  20PCS
- 16  20PCS
- F  2PCS
- 14  1PC
- 9  1PC









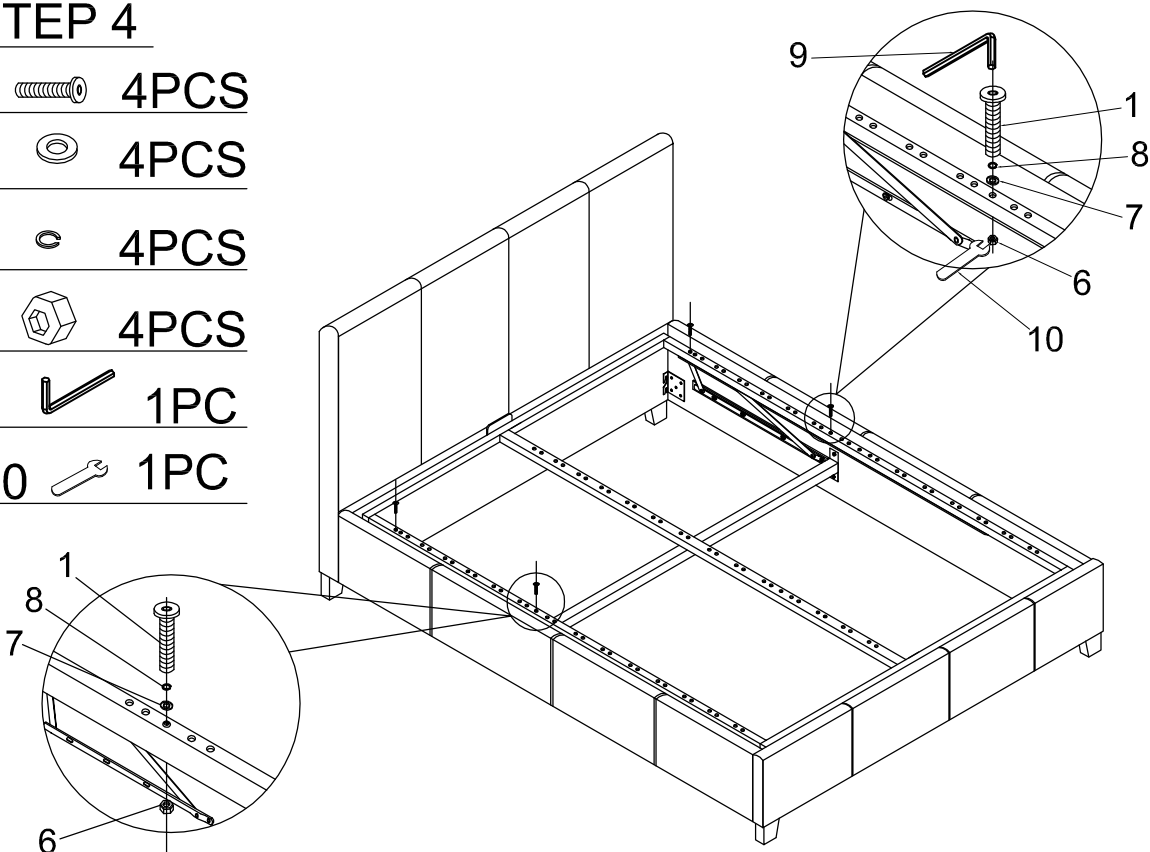
STEP 3



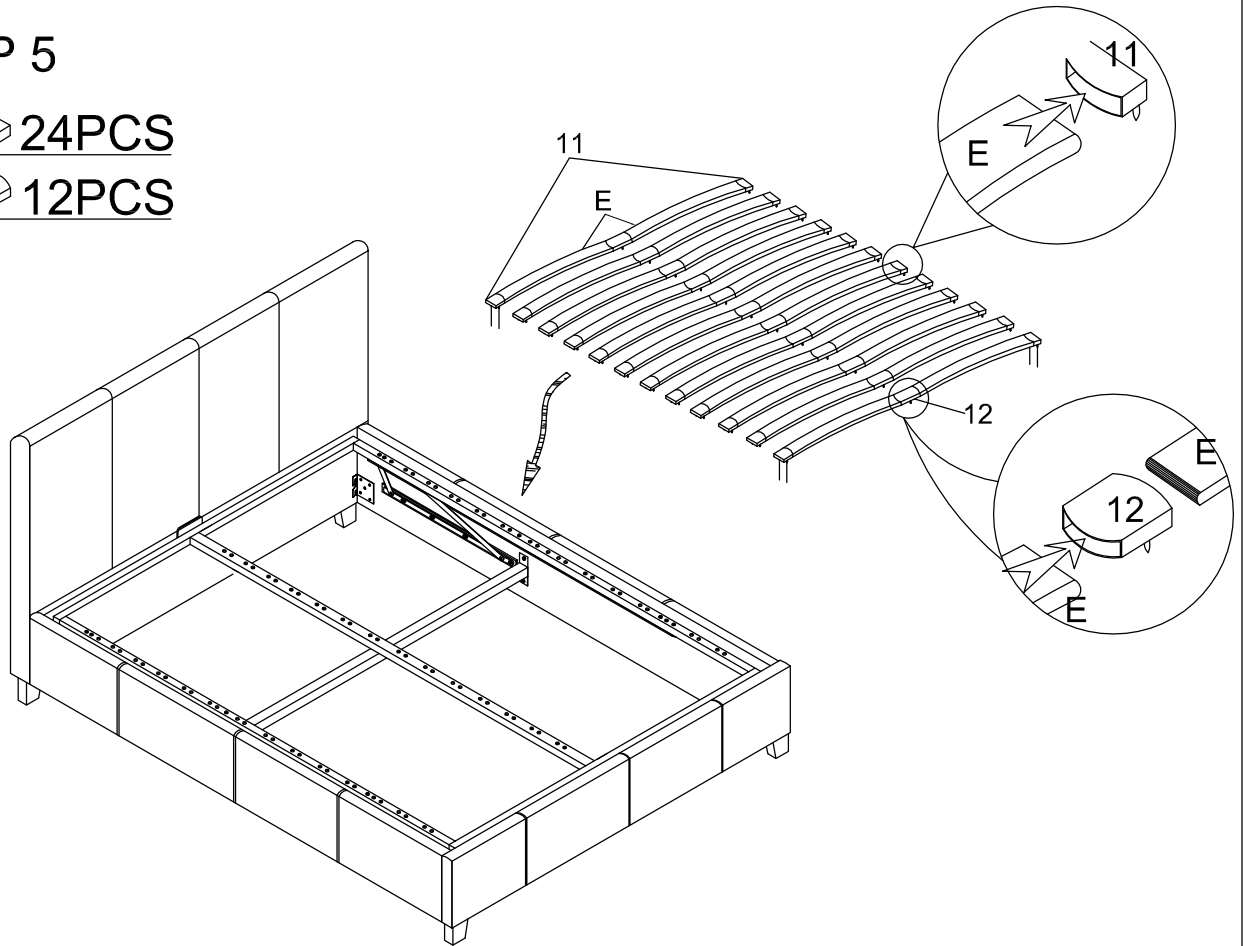
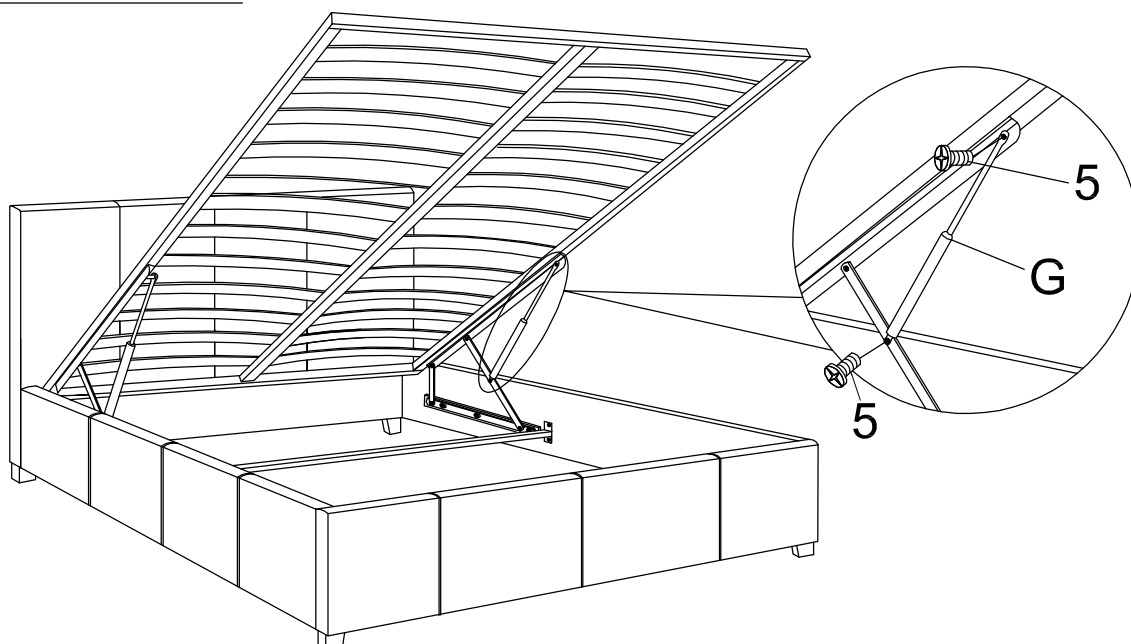
- 1  8PCS
- 7  8PCS
- 8  8PCS
- 6  8PCS
- 9  1PC
- 10  1PC
- 13  1PCS
- 17  1PCS



STEP 4

- 1  4PCS
- 7  4PCS
- 8  4PCS
- 6  4PCS
- 9  1PC
- 10  1PC



STEP 5**11**  **24PCS****12**  **12PCS****STEP 6****5**  **4PCS**

STEP 7

M  1PC

