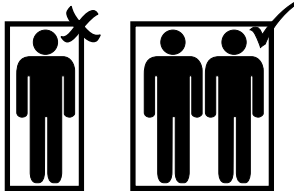


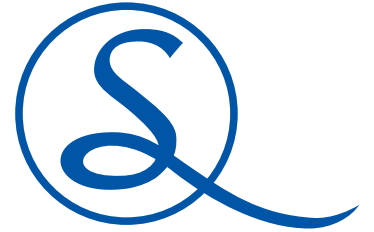
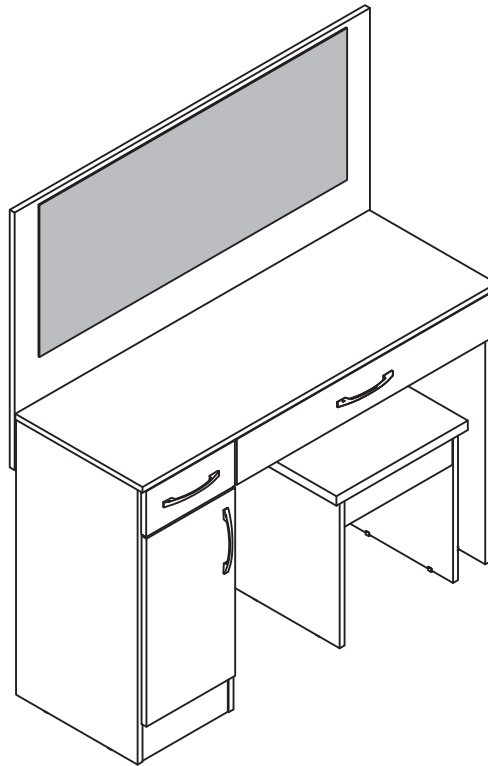
# NEVADA VANITY DRESSING TABLE SET

## ASSEMBLY INSTRUCTIONS

### BLACK WOOD GRAIN

\* You should assemble this product with two people



## IMPORTANT

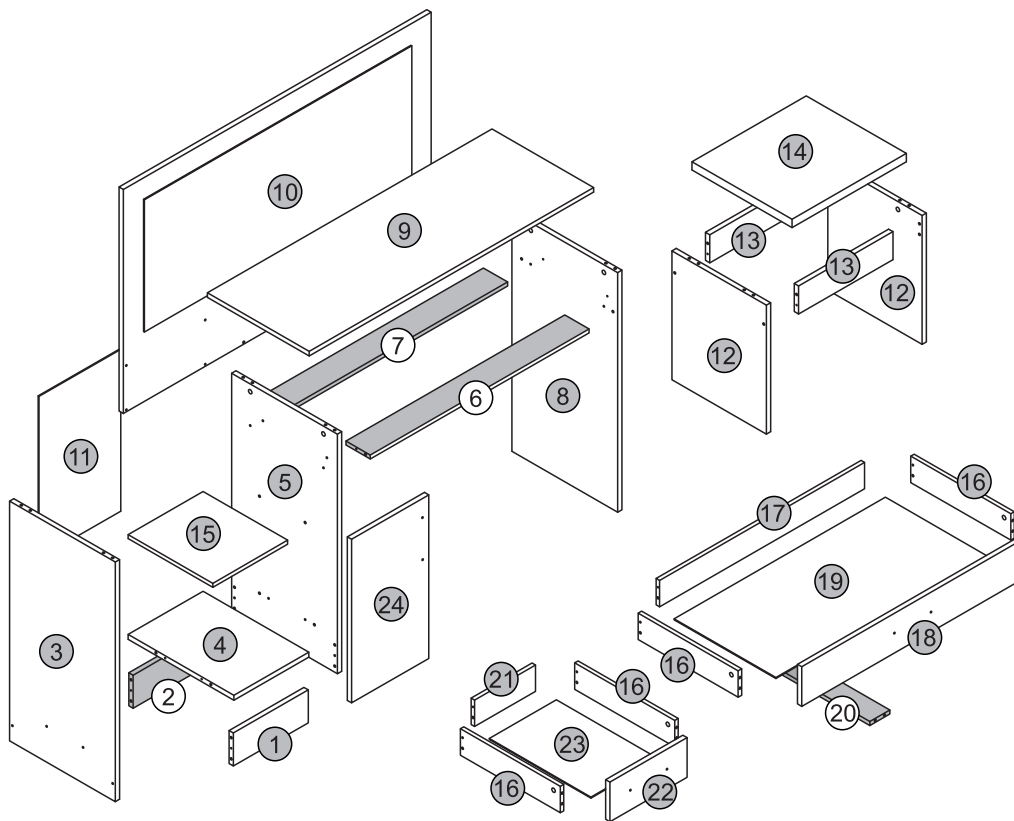
### FOR DOMESTIC USE ONLY

PLEASE READ BEFORE YOU CONTINUE FURTHER

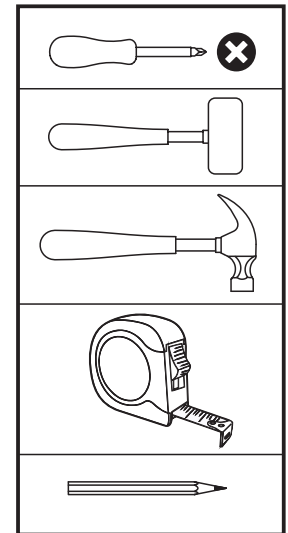
# CARE AND MAINTENANCE

After unpacking this product please keep the original packaging in case it needs to be returned for any reason.

- Please ensure all fittings and parts are present before commencing with assembly.
- Never drag or push products as this could cause damage to the joints making it inferior.
- We strongly recommend that you keep children away from your work area.
- We recommend that you lay a blanket or sheet on the floor to avoid damage to both your floor and the product.
- Assemble this product as close to its final position as possible.
- Do not place this product next to a radiator or in direct sunlight.
- Do not drag or push items across your high gloss furniture as this may cause the surface to scratch
- Wood is a natural product and may expand if subjected to damp and may shrink or crack if subjected to heat. Therefore it is recommended that room temperature is maintained, with no sudden temperature fluctuations.
- Make sure any spillage is wiped off immediately.
- Do not place hot or chilled items directly on to the surface, use a place mat or marking will occur.
- For general cleaning use a soft cotton or micro fibre cloth, and do not use detergents of any kind.
- From time to time it may be necessary to tighten fittings, regular inspections should be carried out.
- Do not place on a wet or damp floor as staining may occur to your floor.



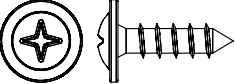
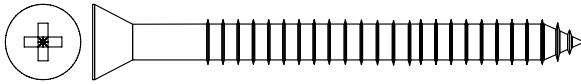

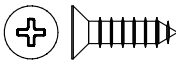
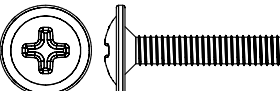

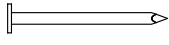

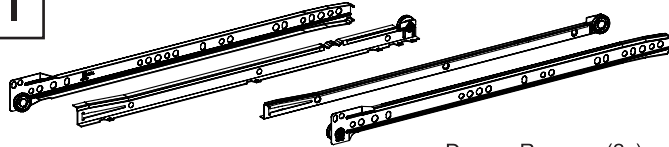
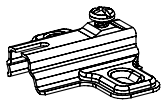
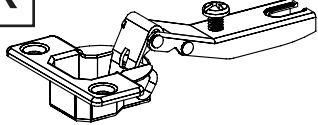
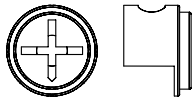
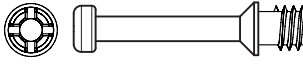

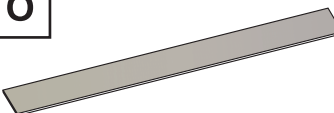
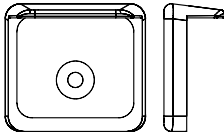


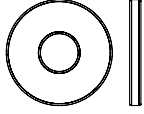
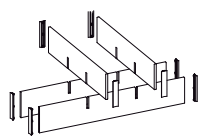
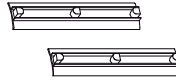
## TOOLS REQUIRED

**PARTS LIST***Please Note:*

The below parts have all been stamped with the part number to help identify them during assembly

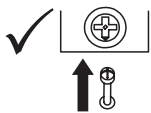
Part Number	Part Code	Part Description	Quantity	Carton
1	S100-107-022-DM1-01	Front Baseboard	1	1/2
2	S100-107-022-DM1-02	Back Baseboard	1	1/2
3	S100-107-022-DM1-03	Left Side Panel	1	1/2
4	S100-107-022-DM1-04	Base Panel	1	1/2
5	S100-107-022-DM1-05	Left Division Panel	1	1/2
6	S100-107-022-DM1-06	Front Crossbar	1	1/2
7	S100-107-022-DM1-07	Back Crossbar	1	1/2
8	S100-107-022-DM1-08	Right Side Panel	1	1/2
9	S100-107-022-DM1-09	Top Panel	1	1/2
10	S100-107-022-DM1-10	Mirror Panel	1	2/2
11	S100-107-022-DM1-11	Back Panel	1	1/2
12	S100-107-022-DM1-12	Stool Side Panel	2	1/2
13	S100-107-022-DM1-13	Stool Crosspiece	2	1/2
14	S100-107-022-DM1-14	Stool Seat	1	1/2
15	S100-107-022-DM1-15	Shelf	1	1/2
16	S100-107-022-DM1-16	Drawer Side	4	1/2
17	S100-107-022-DM1-17	Large Drawer Back Panel	1	1/2
18	S100-107-022-DM1-18	Large Drawer Front	1	1/2
19	S100-107-022-DM1-19	Large Drawer Bottom	1	1/2
20	S100-107-022-DM1-20	Drawer Bottom Support Bar	1	1/2
21	S100-107-022-DM1-21	Small Drawer Back Panel	1	1/2
22	S100-107-022-DM1-22	Small Drawer Front	1	1/2
23	S100-107-022-DM1-23	Small Drawer Bottom	1	1/2
24	S100-107-022-DM1-24	Door	1	1/2

# FITTINGS LIST

<p><b>A</b></p>  <p>Flan Head Screw Ø4,0 x 14mm (2x)</p> <p>1/+</p>	<p><b>B</b></p>  <p>Flat Head Screw Ø4,0 x 50mm (4x)</p> <p>1/+</p>	<p><b>C</b></p>  <p>Flat Head Screw Ø3,5 x 40mm (28x)</p> <p>2/+</p>	
<p><b>D</b></p>  <p>Flat Head Screw Ø4,0 x 14mm (20x)</p> <p>2/+</p>	<p><b>E</b></p>  <p>Flan Head Screw Ø4,0 x 20mm (6x)</p> <p>1/+</p>	<p><b>F</b></p>  <p>Flat Head Screw Ø6,0 x 8mm (8x)</p> <p>1/+</p>	<p><b>G</b></p>  <p>Nail 10 x 10 (40x)</p> <p>4/+</p>
<p><b>H</b></p>  <p>Glue (2x)</p>	<p><b>I</b></p>  <p>Drawer Runners (2x)</p>	<p><b>J</b></p>  <p>Hinge Plate (2x)</p>	
<p><b>K</b></p>  <p>Hinge (2x)</p>	<p><b>L</b></p>  <p>Cam Nut 12mm (14x)</p> <p>2/+</p>	<p><b>M</b></p>  <p>Cam Bolt (14x)</p> <p>2/+</p>	<p><b>N</b></p>  <p>Dowel Ø6,0 x 30mm (46x)</p> <p>2/+</p>
<p><b>O</b></p>  <p>Strap 200mm (2x)</p>	<p><b>P</b></p>  <p>Plastic Foot (10x)</p> <p>2/+</p>	<p><b>Q</b></p>  <p>Handle (3x)</p>	<p><b>R</b></p>  <p>Hole Plugs (24x)</p> <p>2/+</p>
<p><b>S</b></p>  <p>Washer (4x)</p> <p>1/+</p>	<p><b>T</b></p>  <p>Drawer Divider Kit (1x)</p>	<p><b>U</b></p>  <p>Drawer Divider Finish (12x)</p> <p>2/+</p>	

## TIPS FOR FITTINGS CAM-LOCKS

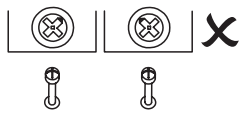
WHEN FITTING CAM NUT. ENSURE STARTING POSITION IS CORRECT BEFORE YOU INSERT CONNECTING CAM BOLT TURN CLOCKWISE UNTIL SECURE



✓

↑

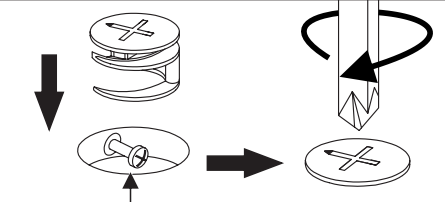
CORRECT



✗

↑

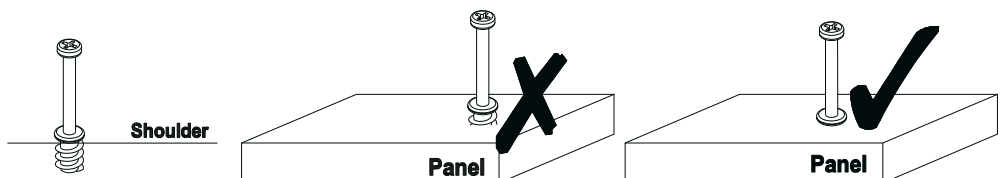
WRONG



**Cam bolt head needs to be in centre**

### CAMBOLT

Tighten until shoulder is flush with panel. Do not overtighten or undertighten (see example beside)

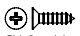


# STEP 1

## PARTS REQUIRED

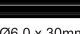
3 - LEFT SIDE PANEL x1

## HARDWARE REQUIRED

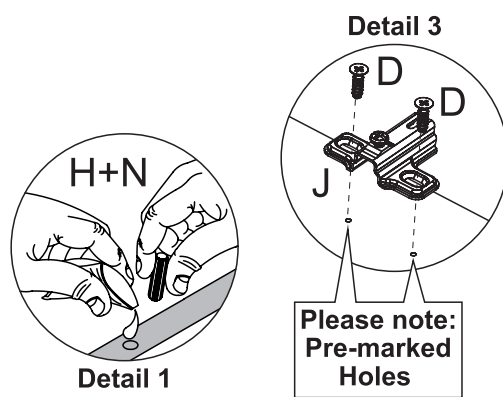
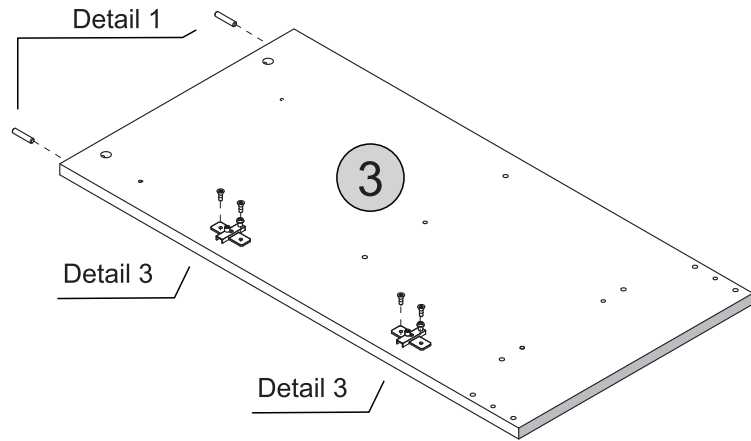
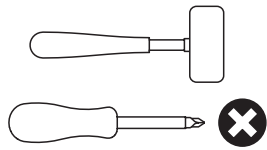
D  04  
Ø4.0 x 14mm

H  01

J  02

N  02  
Ø6.0 x 30mm

## TOOLS REQUIRED




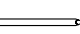
# STEP 2

## PARTS REQUIRED

3 - LEFT SIDE PANEL x1

## HARDWARE REQUIRED

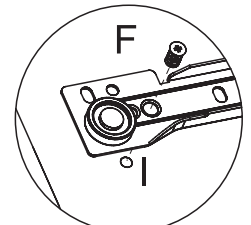
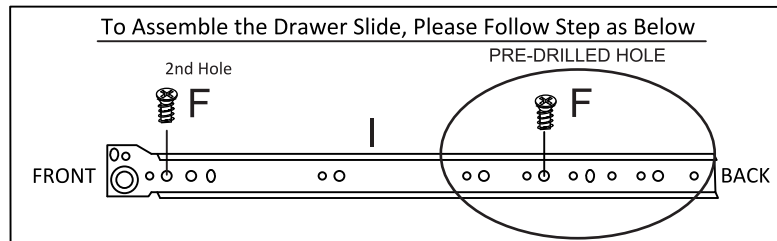
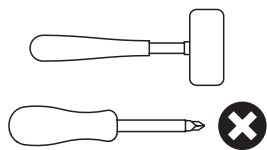
F  02  
Ø6.0 x 8mm

G  02

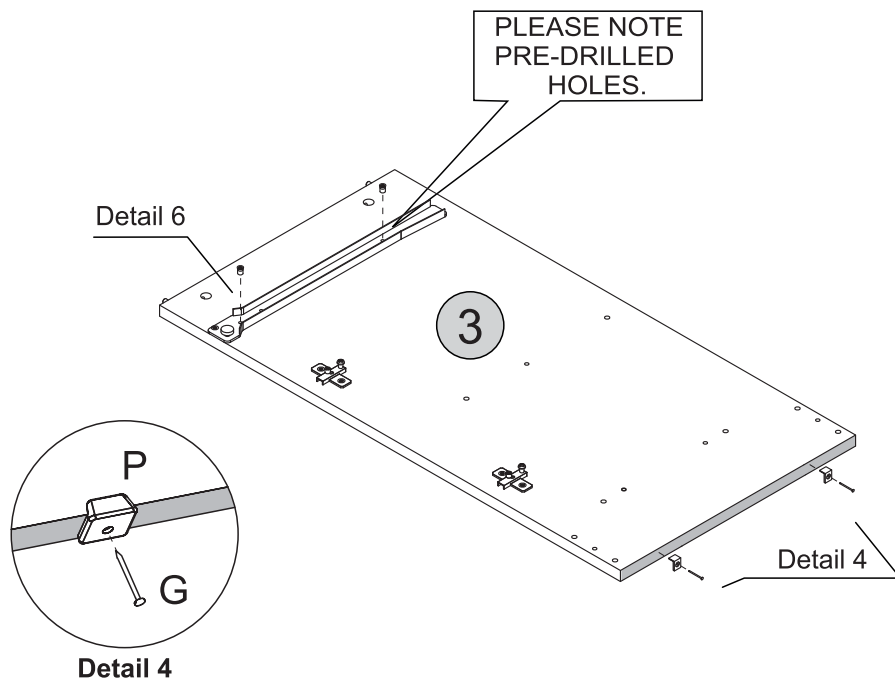
I  Left 01

P  02

## TOOLS REQUIRED



Detail 6




# STEP 3

## PARTS REQUIRED


5 - LEFT DIVISION PANEL x1

## HARDWARE REQUIRED

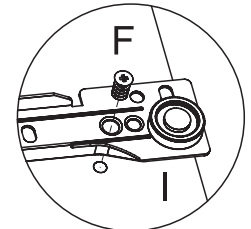
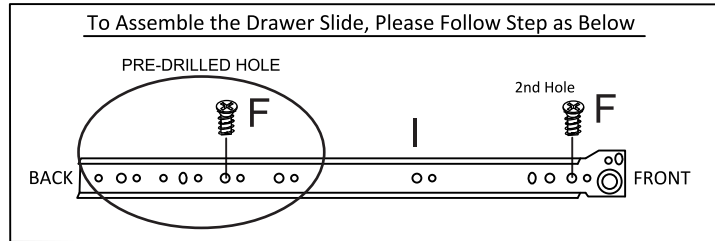
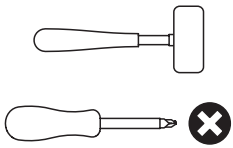
F  02  
Ø6,0 x 8mm

H  01

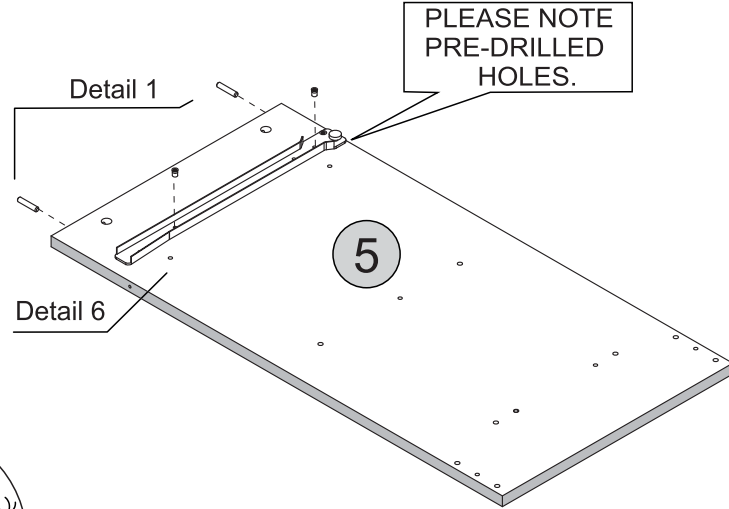
I  Right 01

N  02  
Ø6,0 x 30mm

## TOOLS REQUIRED



Detail 6



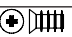
Detail 1

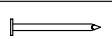
# STEP 4

## PARTS REQUIRED

5 - LEFT DIVISION PANEL x1

## HARDWARE REQUIRED

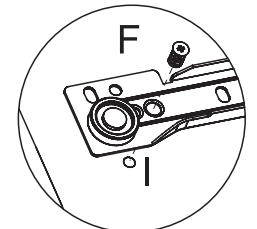
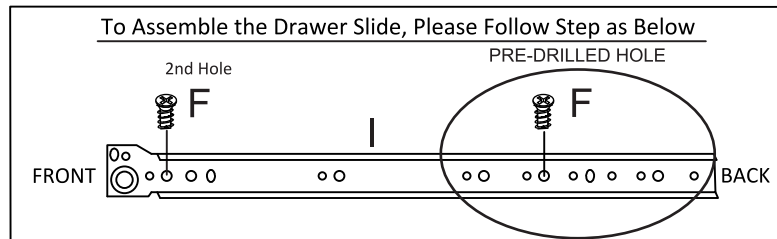
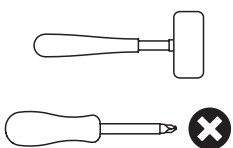
F  02  
Ø6,0 x 8mm

G  02

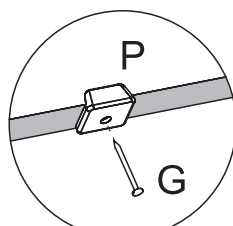
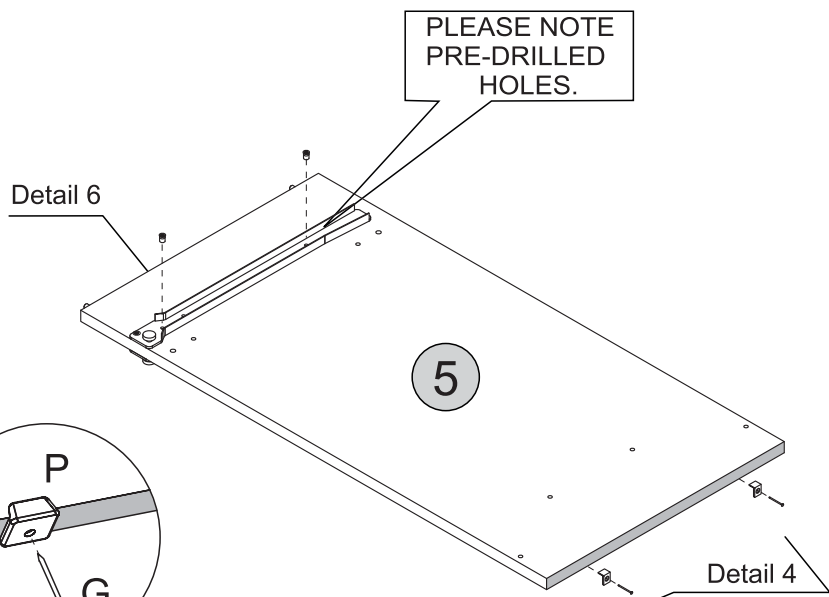
I  Left 01

P  02

## TOOLS REQUIRED



Detail 6




Detail 4

# STEP 5

## PARTS REQUIRED

8 - RIGHT SIDE PANEL x1


## HARDWARE REQUIRED

F  02  
Ø6,0 x 8mm

G  02

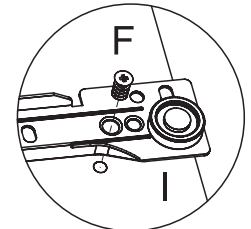
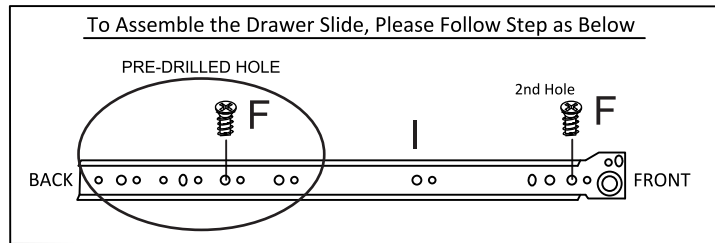
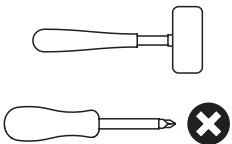
H  01

I  Right 01

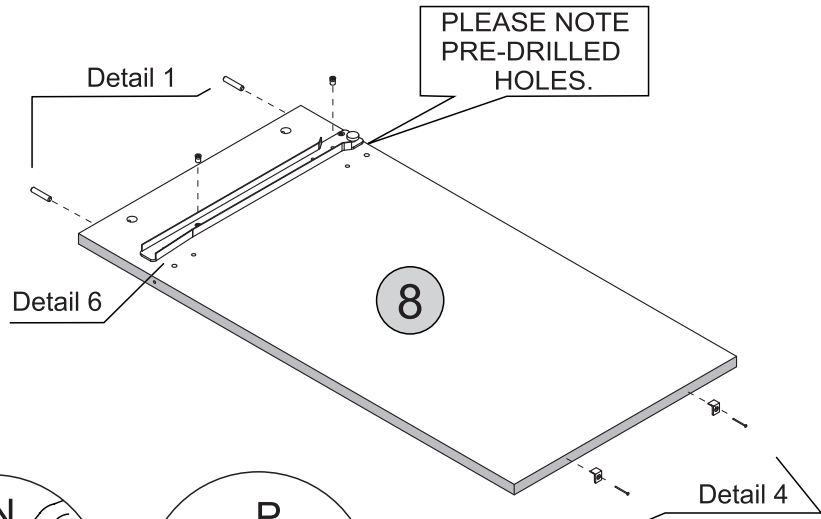
N  02  
Ø6,0 x 30mm

P  02

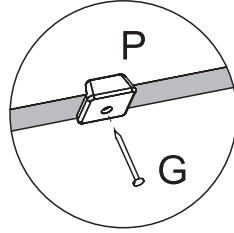
## TOOLS REQUIRED



Detail 6



Detail 1



Detail 4

# STEP 6

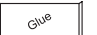
## PARTS REQUIRED


1 - FRONT BASEBOARD x1

2 - BACK BASEBOARD x1

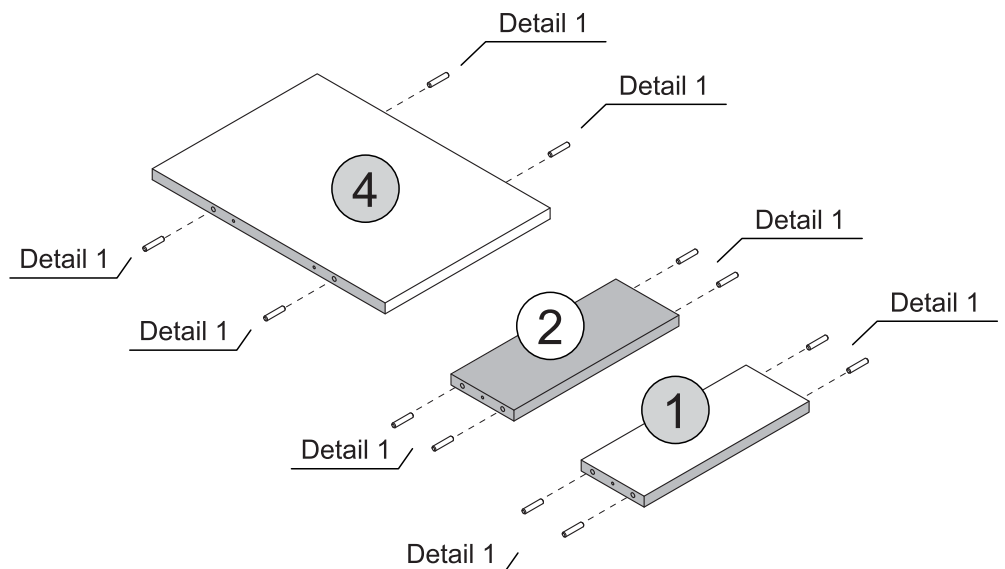
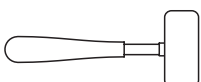
4 - BASE PANEL x1

## HARDWARE REQUIRED

H  01

N  12  
Ø6,0 x 30mm

## TOOLS REQUIRED



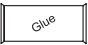
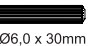
Detail 1

# STEP 7

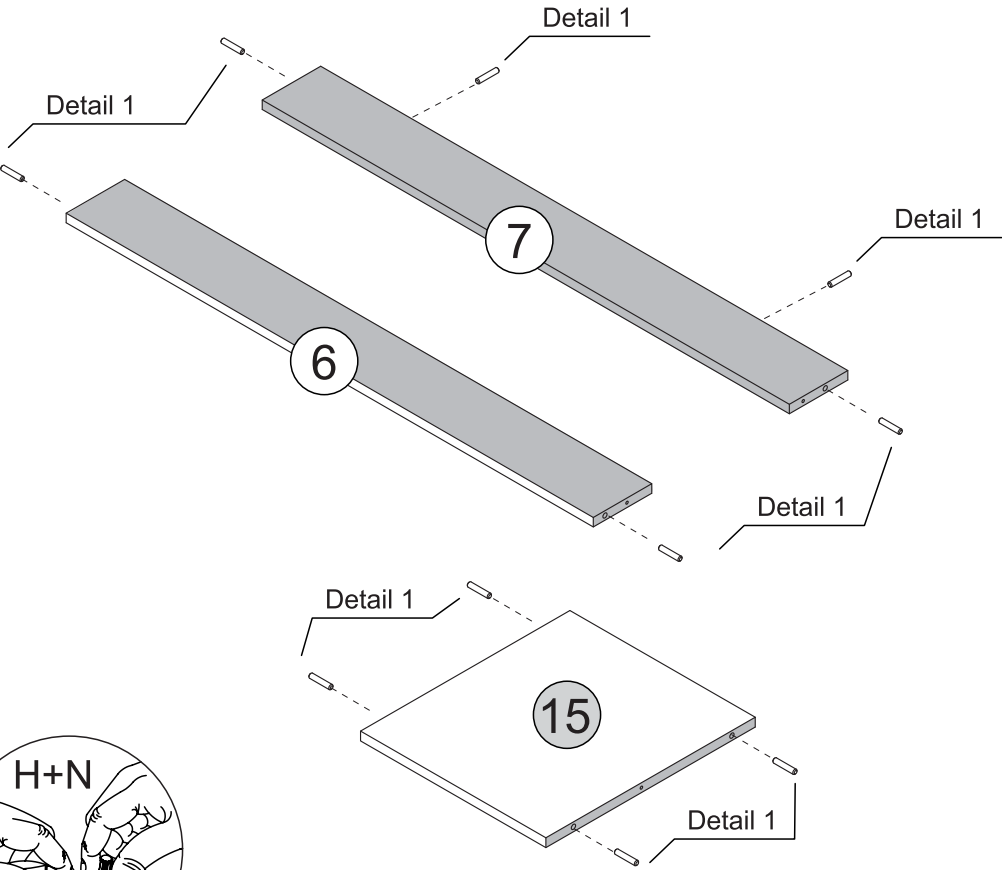
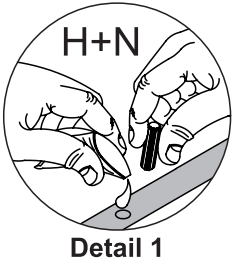
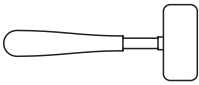
### PARTS REQUIRED

- 6 - FRONT CROSSBAR x1
- 7 - BACK CROSSBAR x1
- 15 - SHELF x1

### HARDWARE REQUIRED

- H  01
- N  Ø6,0 x 30mm 10

### TOOLS REQUIRED



# STEP 8

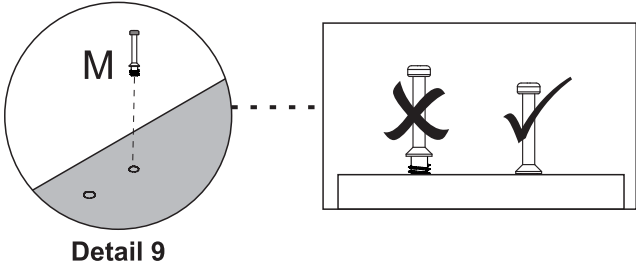
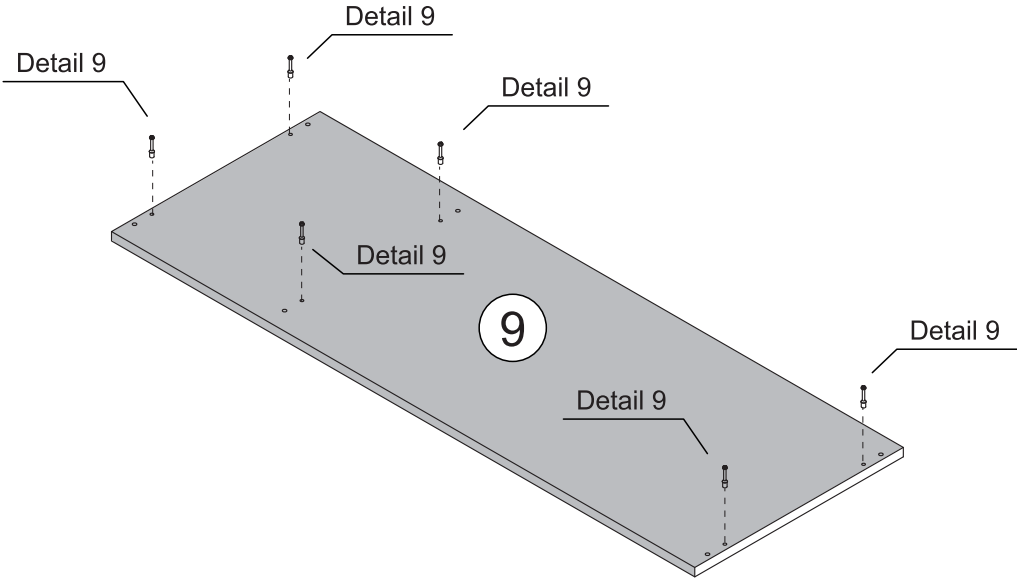
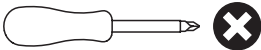
### PARTS REQUIRED

- 9 - TOP PANEL x1

### HARDWARE REQUIRED

- M  06

### TOOLS REQUIRED


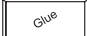


# STEP 9

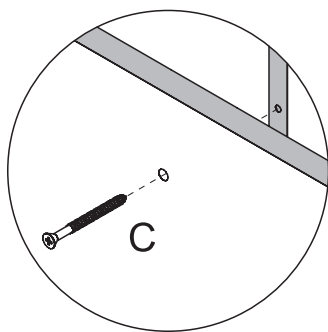
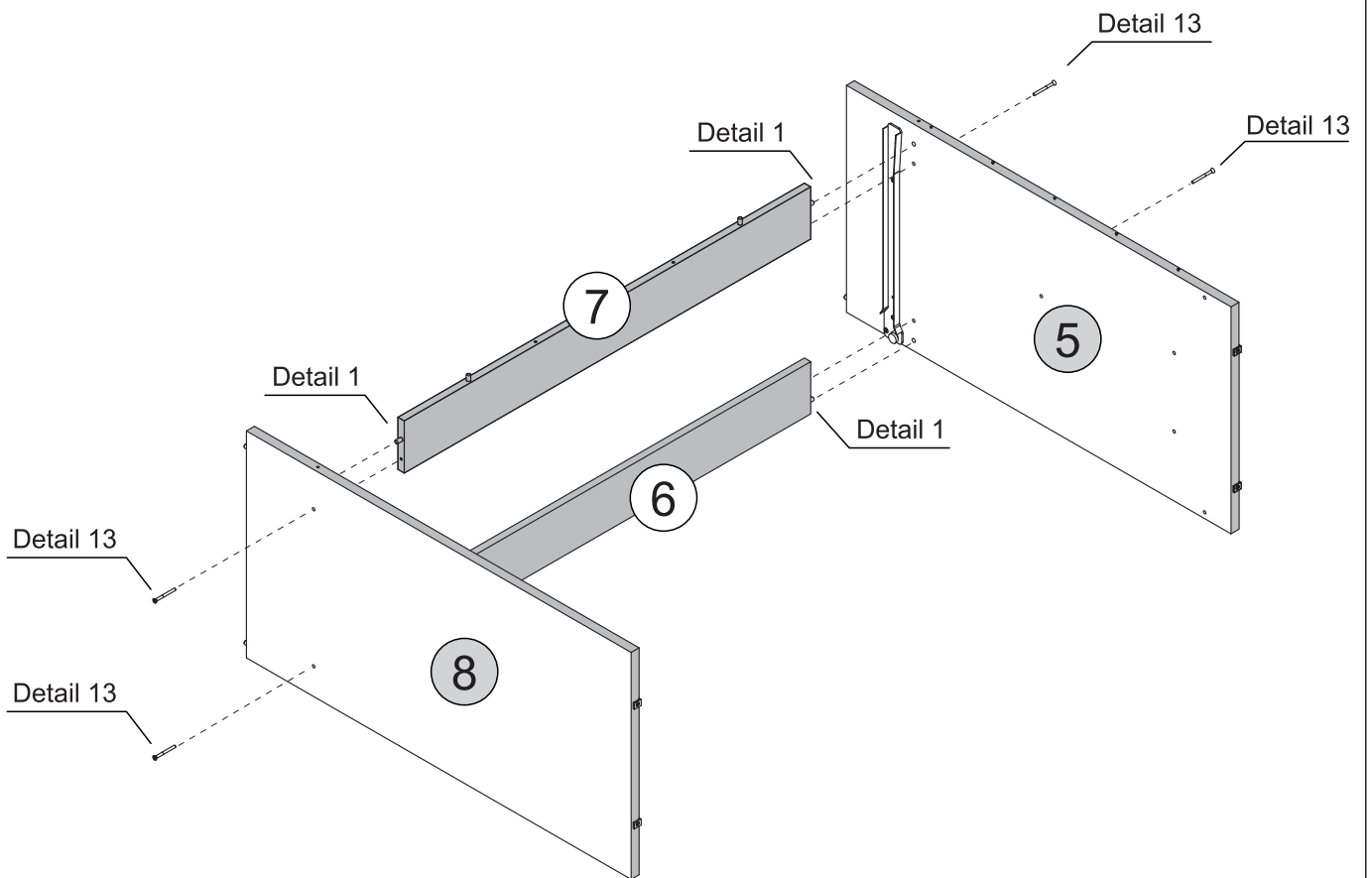
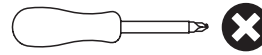
## PARTS REQUIRED

5 - LEFT DIVISION PANEL	x1
6 - FRONT CROSSBAR	x1
7 - BACK CROSSBAR	x1
8 - RIGHT SIDE PANEL	x1

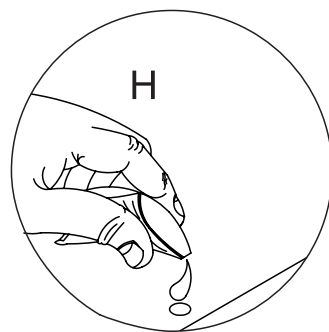
## HARDWARE REQUIRED

C	 Ø3,5 x 40mm	04
H	 Glue	01

## TOOLS REQUIRED



Detail 13



Detail 1



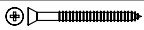
# STEP 10

## PARTS REQUIRED

4 - BASE PANEL x1

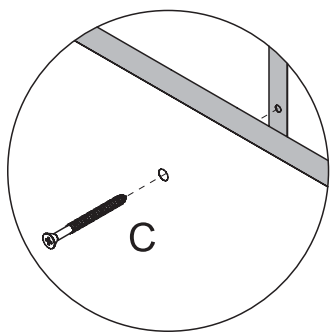
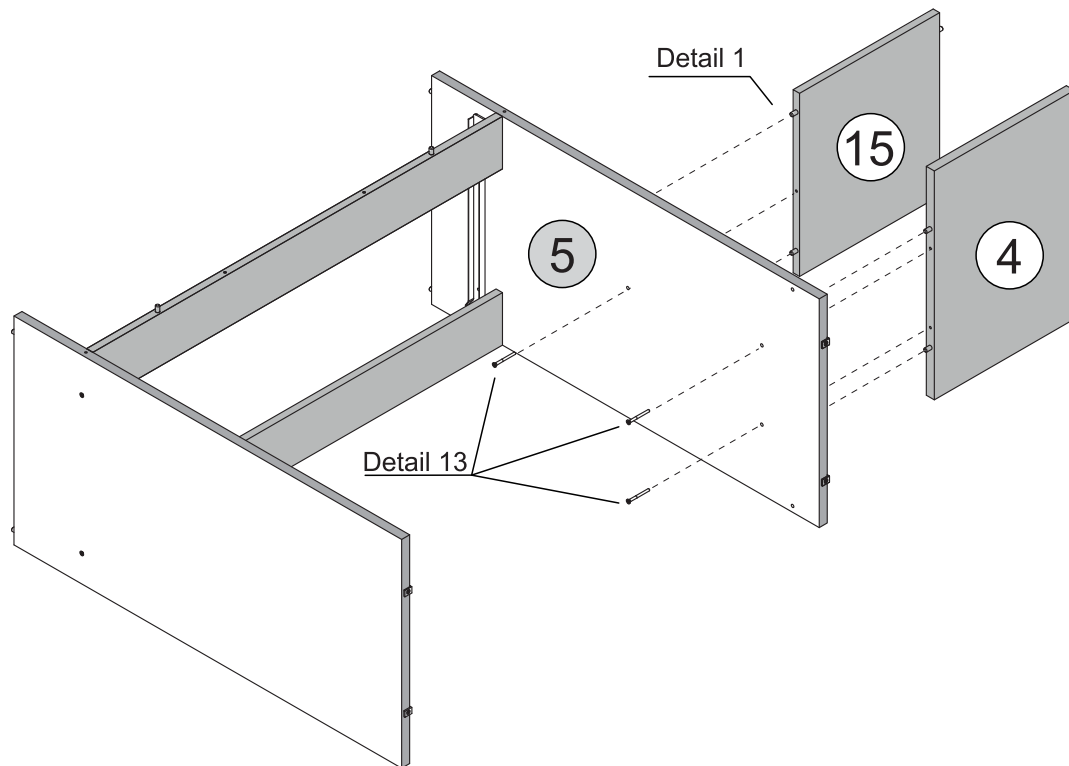
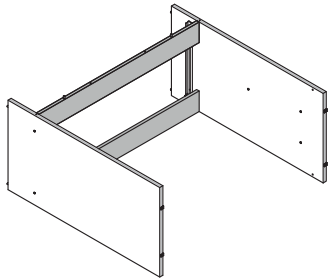
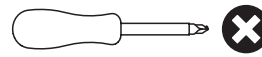
15 - SHELF x1

## HARDWARE REQUIRED

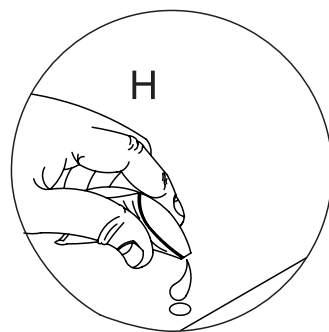
C  03  
Ø3,5 x 40mm

H  01

## TOOLS REQUIRED



Detail 13




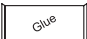
Detail 1

# STEP 11

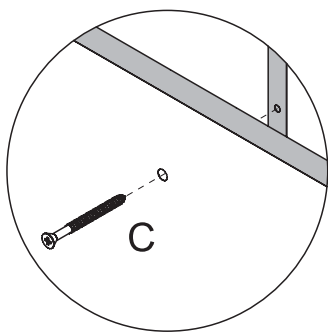
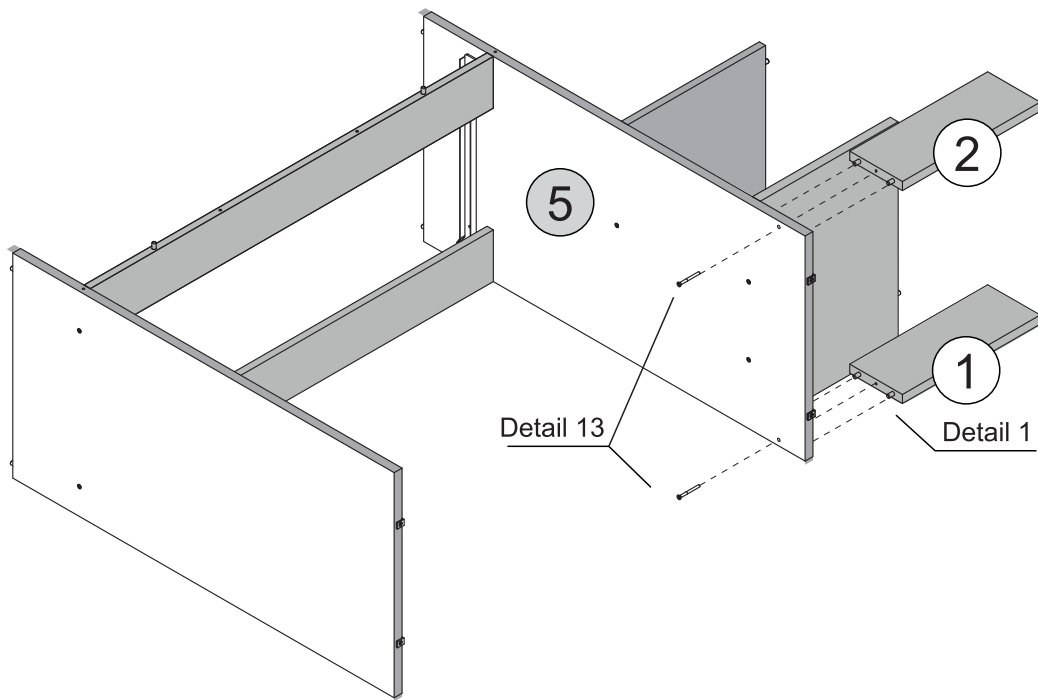
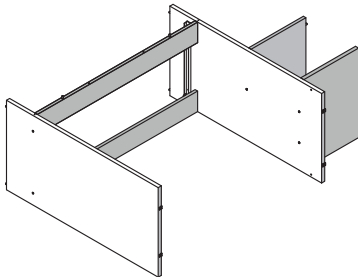
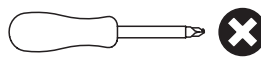
### PARTS REQUIRED

- 1 - FRONT BASEBOARD x1
- 2 - BACK BASEBOARD x1

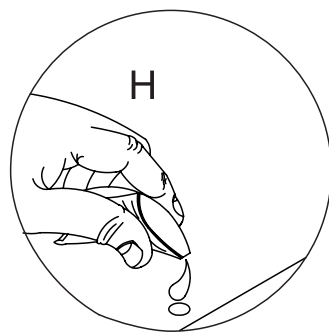
### HARDWARE REQUIRED

- C  Ø3,5 x 40mm 02
- H  01

### TOOLS REQUIRED



Detail 13

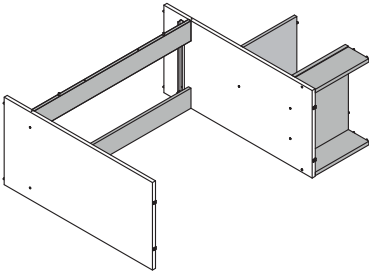


Detail 1


# STEP 12

**PARTS REQUIRED**

3 - LEFT SIDE PANEL x1

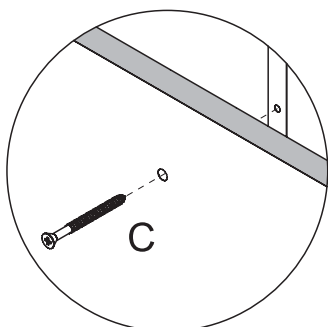
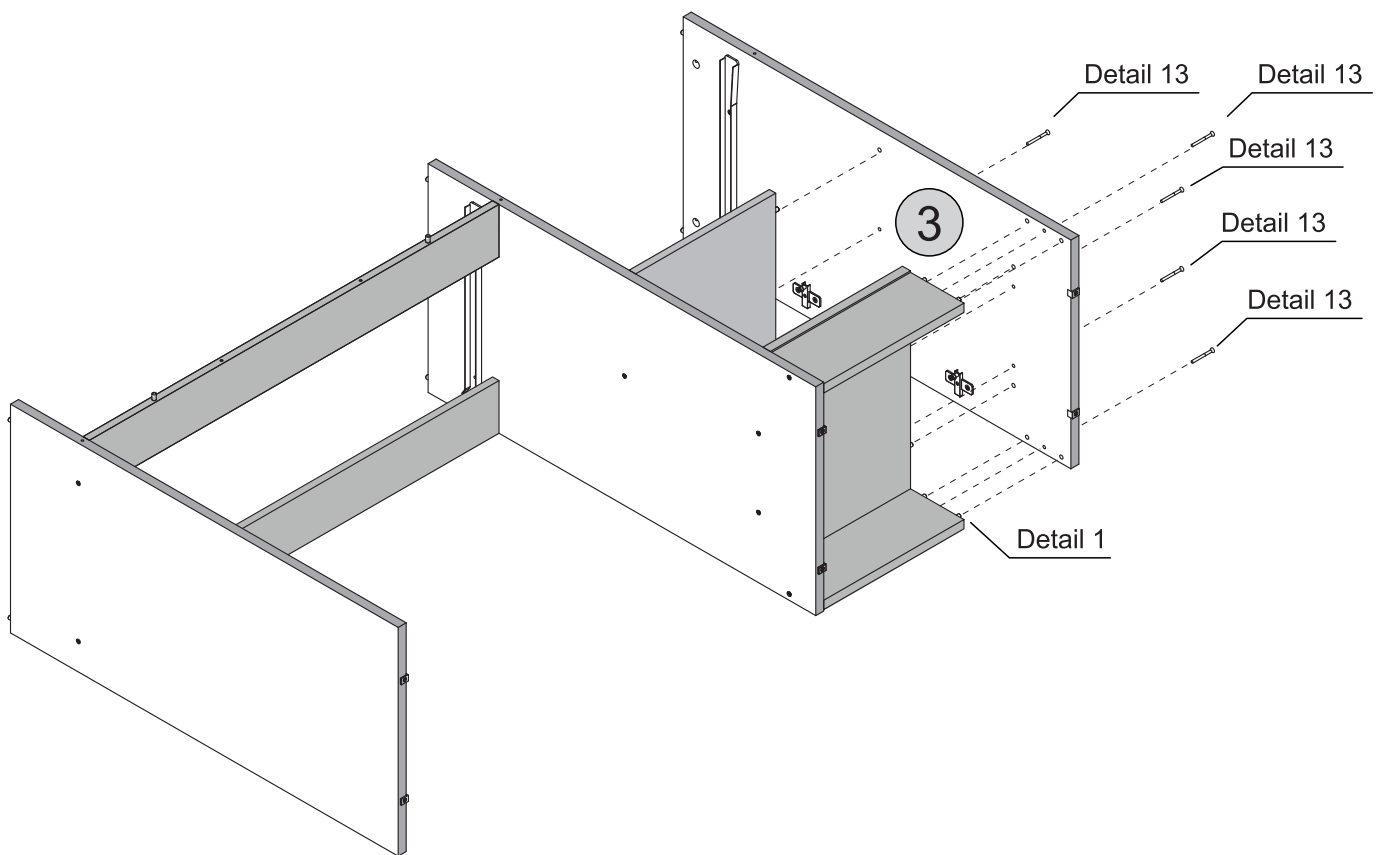
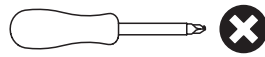


**HARDWARE REQUIRED**

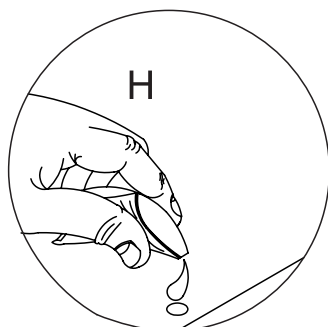
C  05  
Ø3,5 x 40mm

H  01

**TOOLS REQUIRED**



Detail 13

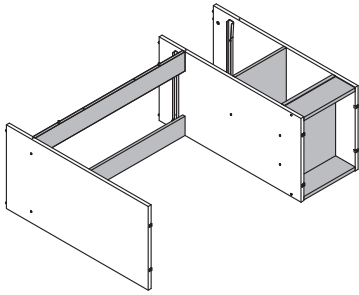


Detail 1

# STEP 13

**PARTS REQUIRED**

9 -TOP PANEL x1

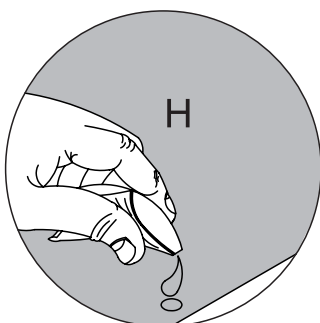
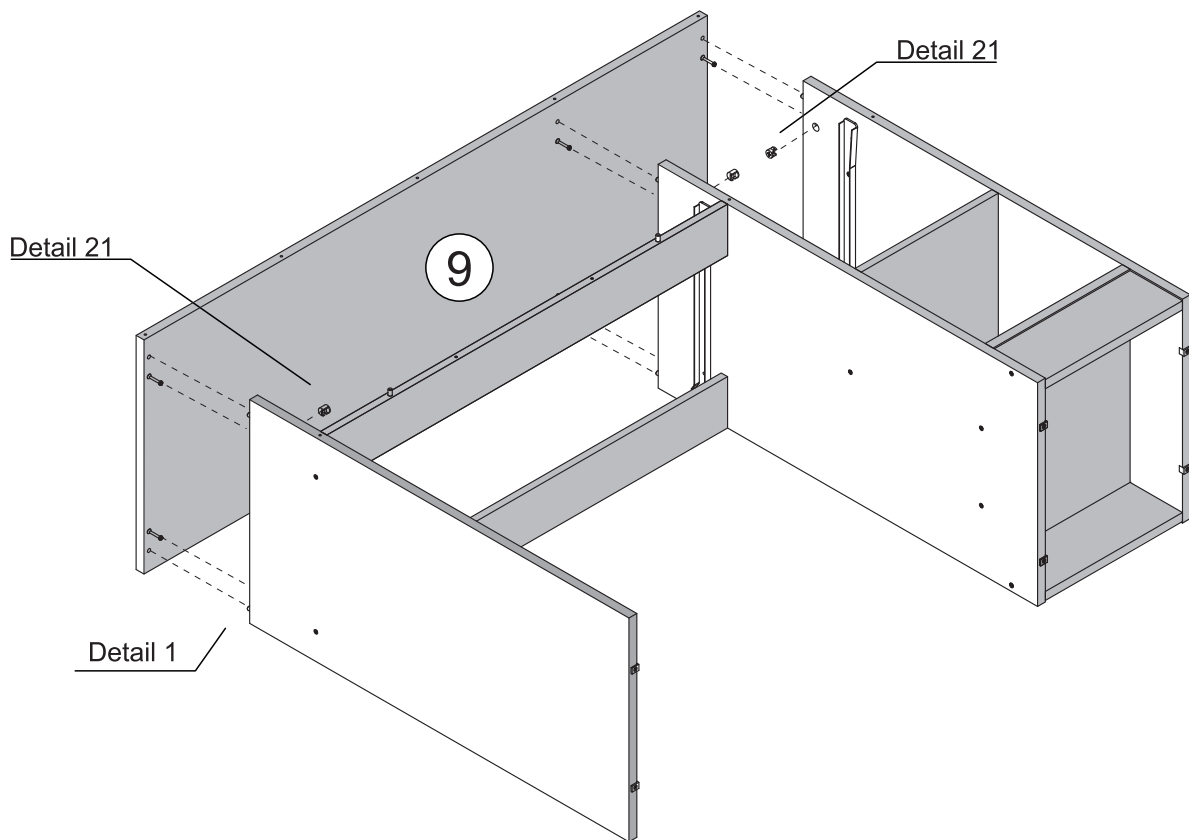
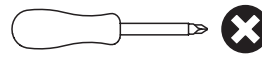


**HARDWARE REQUIRED**

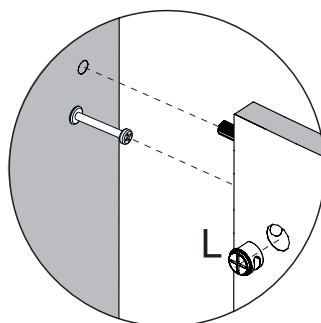
H  01

L  06

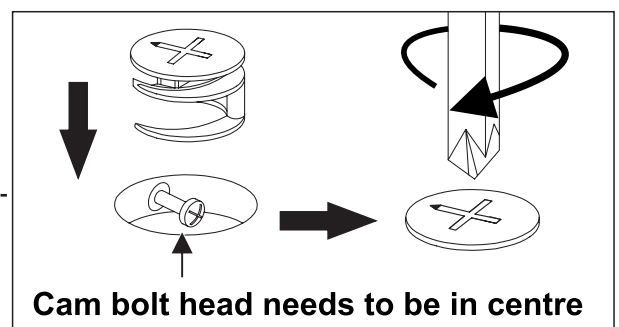
**TOOLS REQUIRED**



Detail 1



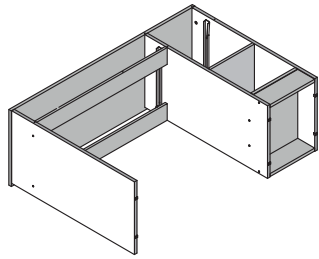
Detail 21



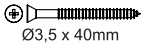
# STEP 14

**PARTS REQUIRED**

10 - MIRROR PANEL x1

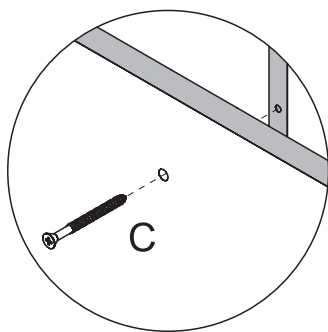
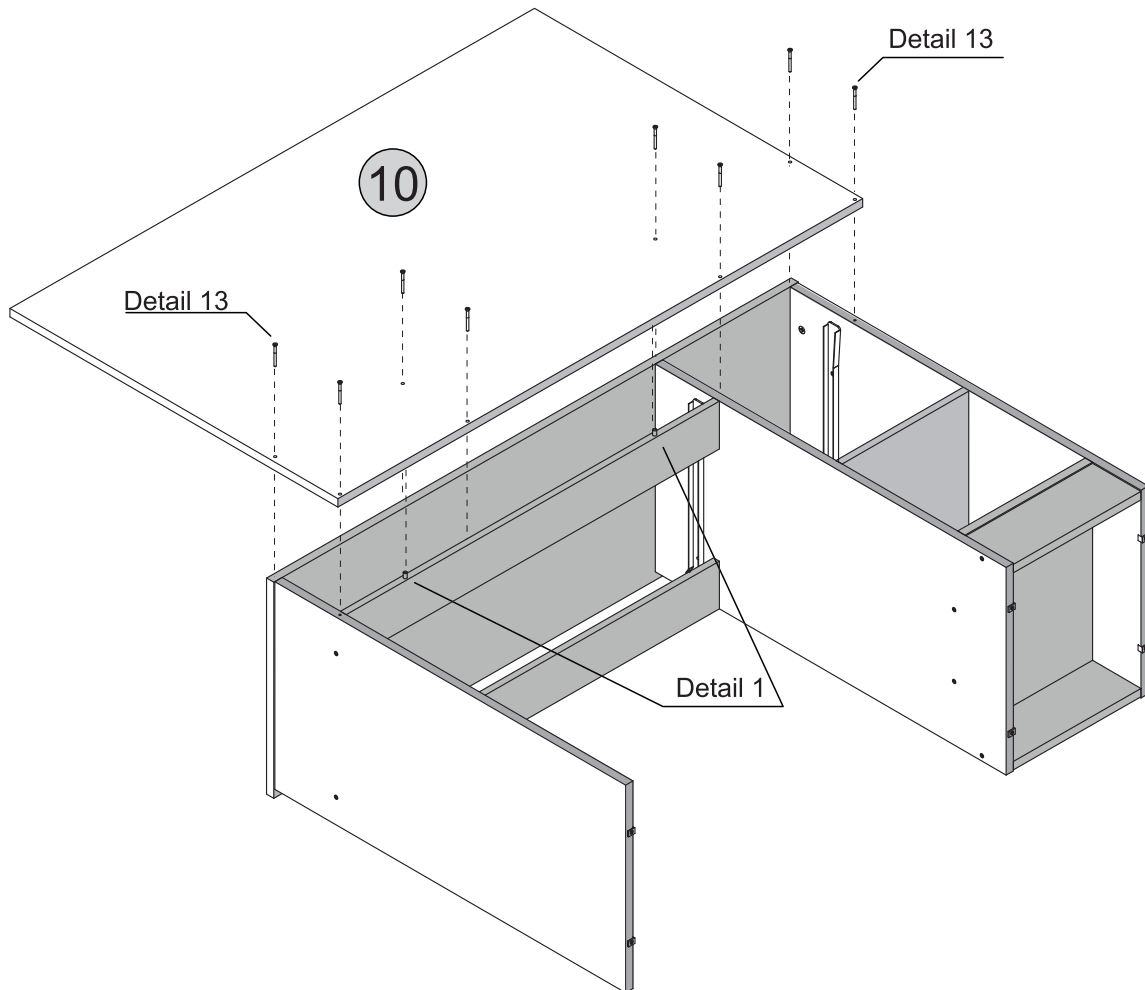
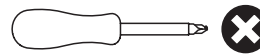


**HARDWARE REQUIRED**

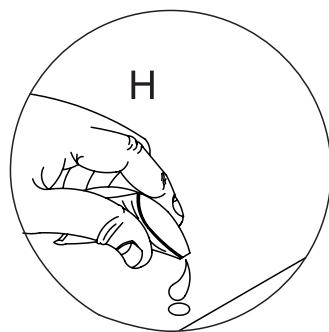
C  08  
Ø3,5 x 40mm

H  01  
Glue

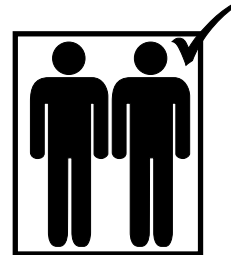
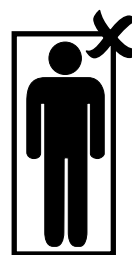
**TOOLS REQUIRED**



Detail 13



Detail 1



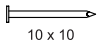
\* You should assemble this product with two people

# STEP 15

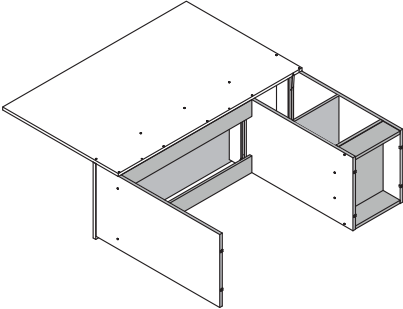
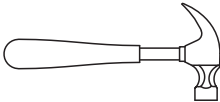
**PARTS REQUIRED**

11 - BACK PANEL x1

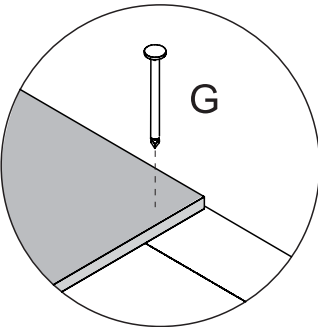
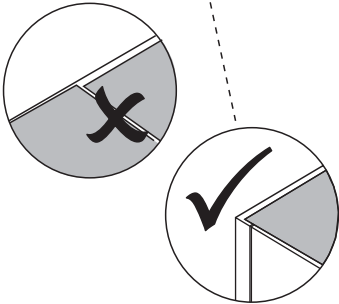
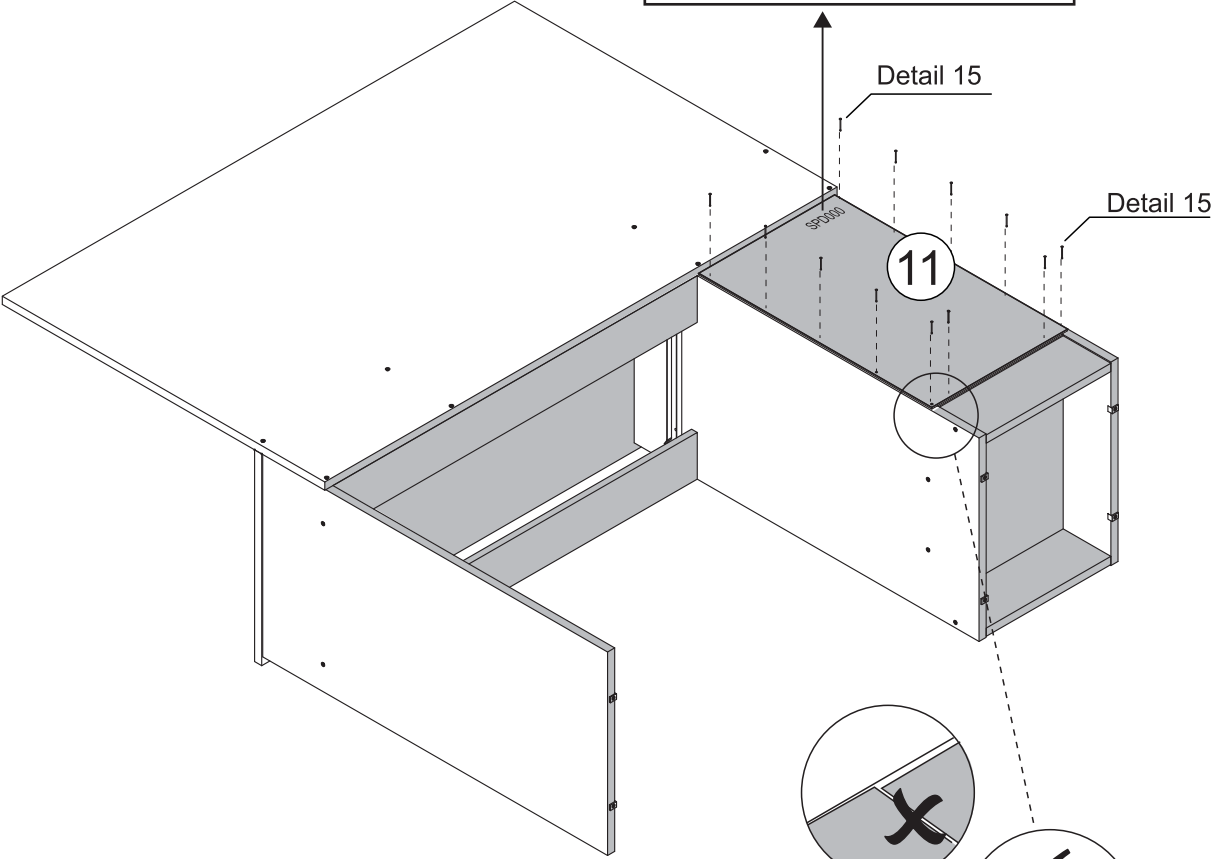
**HARDWARE REQUIRED**

G  12

**TOOLS REQUIRED**



\* For your future reference Order Number should be here.



Detail 15

# STEP 16

## PARTS REQUIRED


16 - DRAWER SIDE x2

17 - LARGE DRAWER BACK PANEL x1

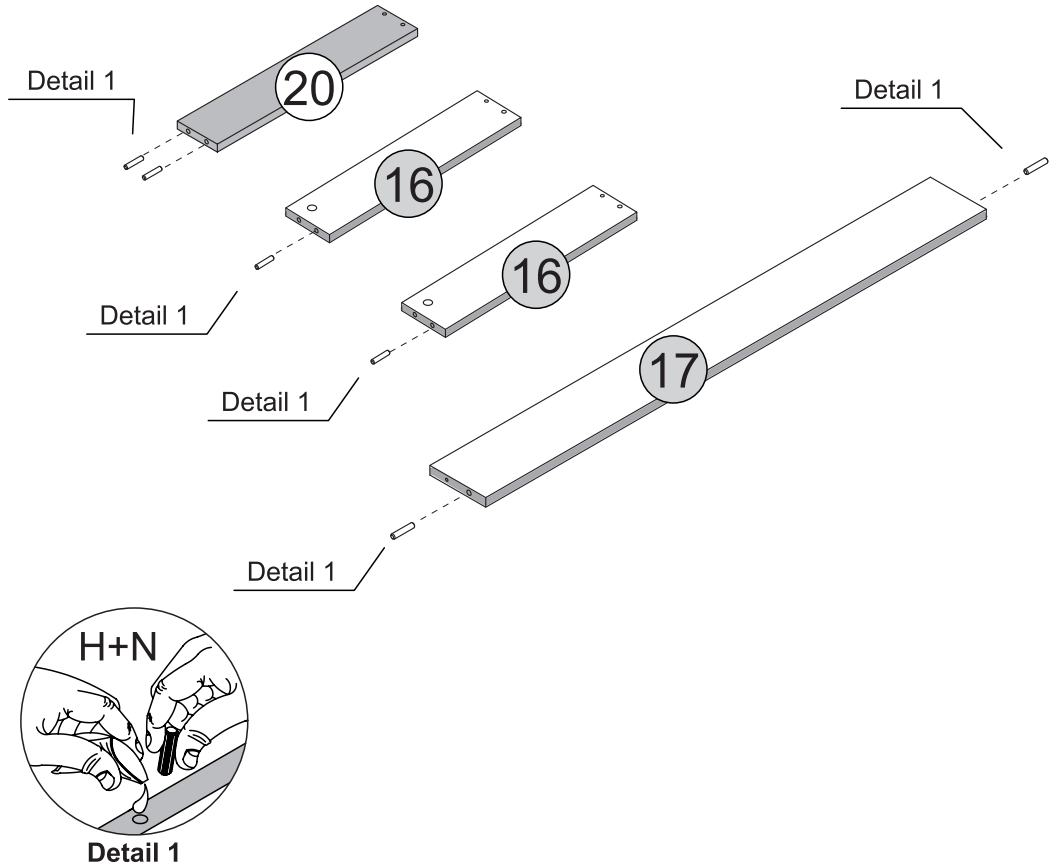
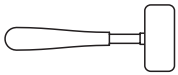
20 - DRAWER BOTTOM SUPPORT BAR x1

## HARDWARE REQUIRED

H  01

N  Ø6,0 x 30mm 06

## TOOLS REQUIRED

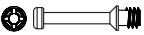


# STEP 17

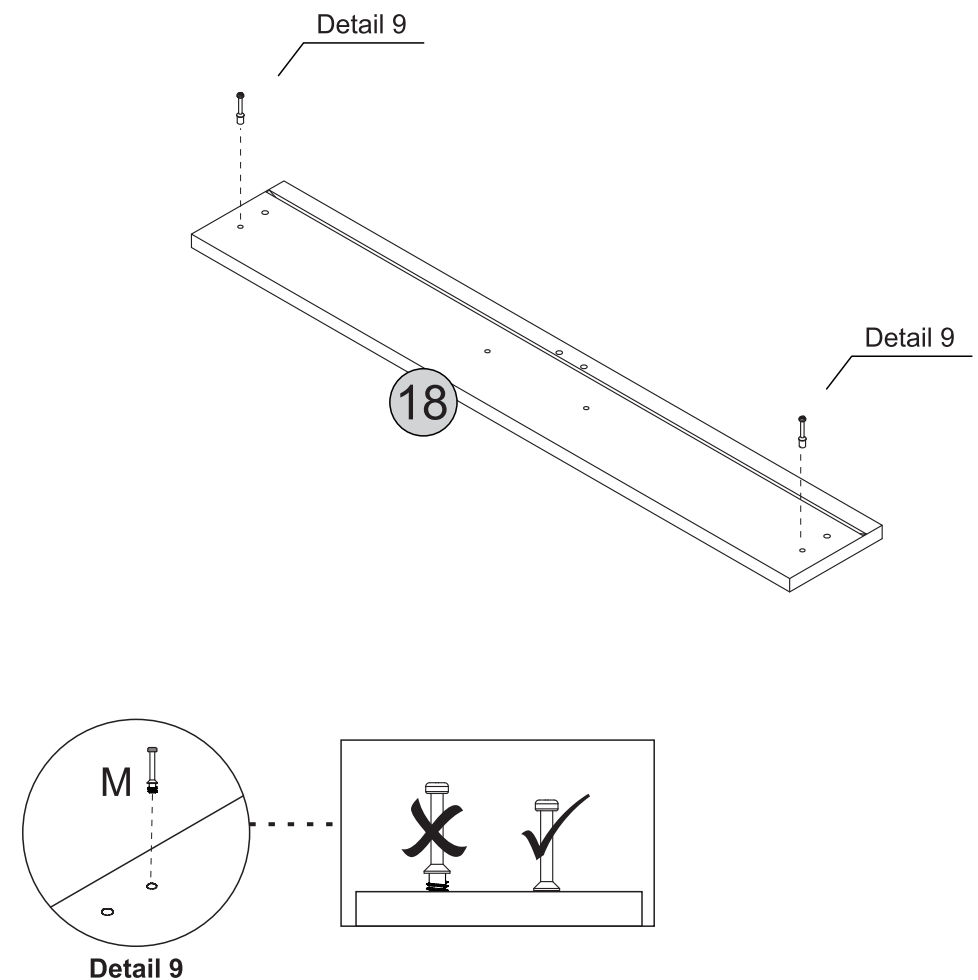
## PARTS REQUIRED

18 - LARGE DRAWER FRONT x1

## HARDWARE REQUIRED

M  02

## TOOLS REQUIRED




# STEP 18

## PARTS REQUIRED

16 - DRAWER SIDE x2

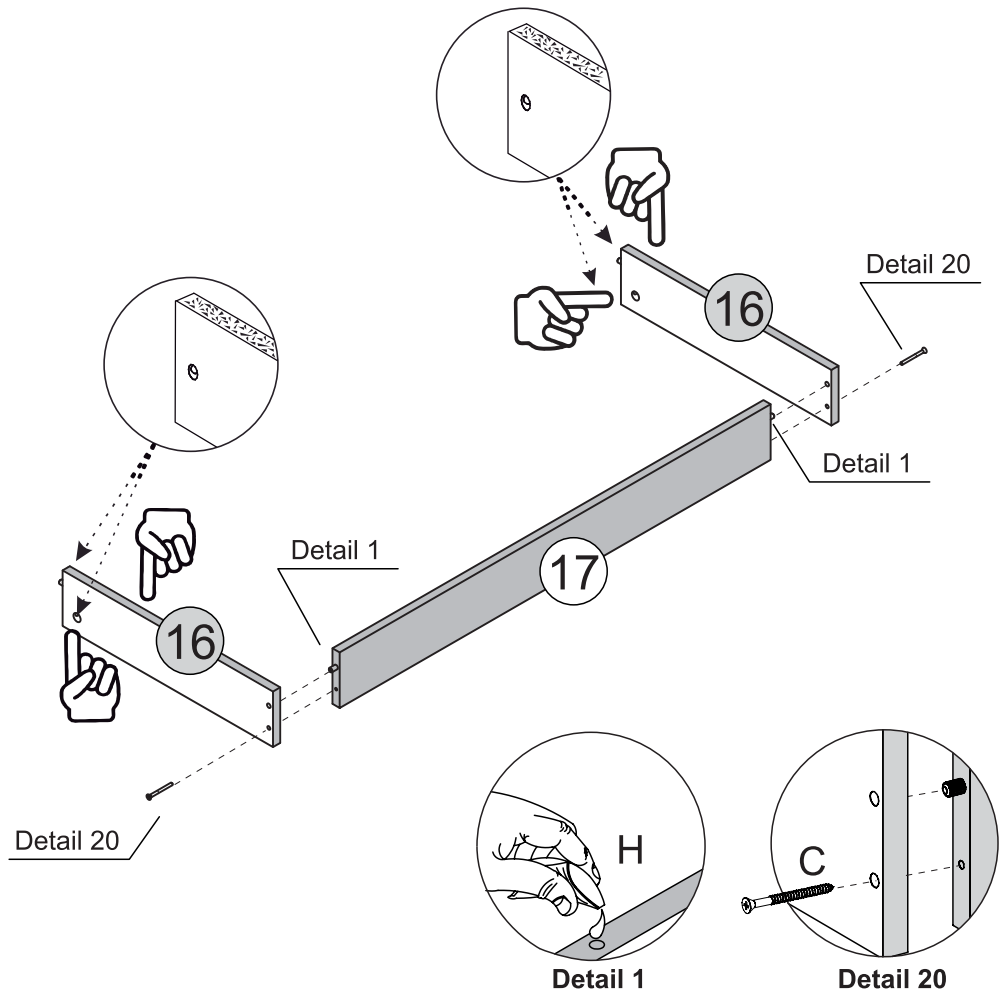
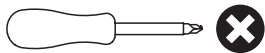
17 - LARGE DRAWER BOTTOM PANEL x1

## HARDWARE REQUIRED

C  02  
Ø3,5 x 40mm

H  01

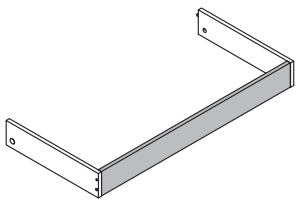
## TOOLS REQUIRED




# STEP 19

## PARTS REQUIRED

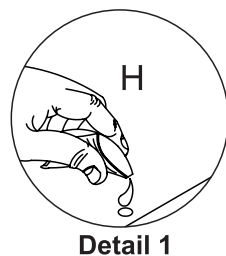
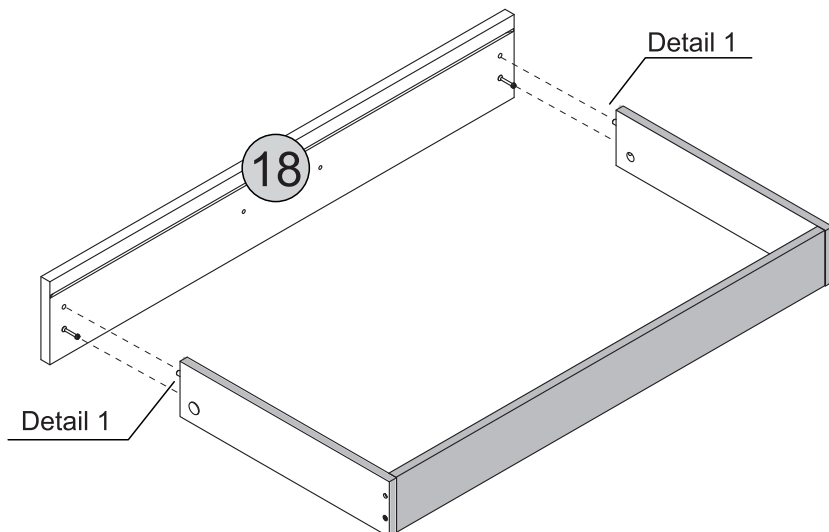
18 - LARGE DRAWER FRONT x1



## HARDWARE REQUIRED

H  01

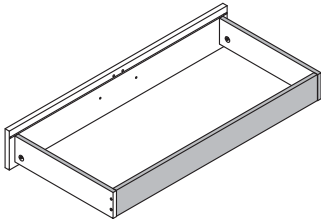
## TOOLS REQUIRED





# STEP 20

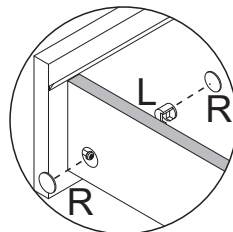
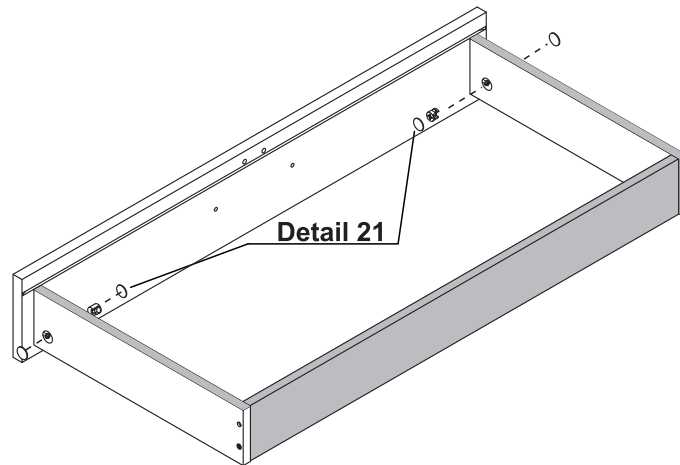
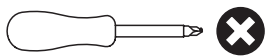
**PARTS REQUIRED**



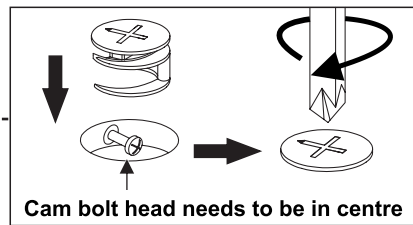
**HARDWARE REQUIRED**



**TOOLS REQUIRED**



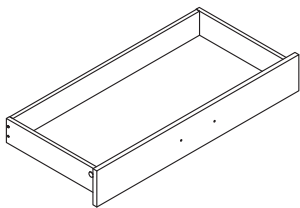
Detail 21



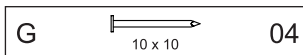
# STEP 21

**PARTS REQUIRED**

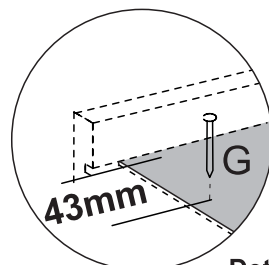
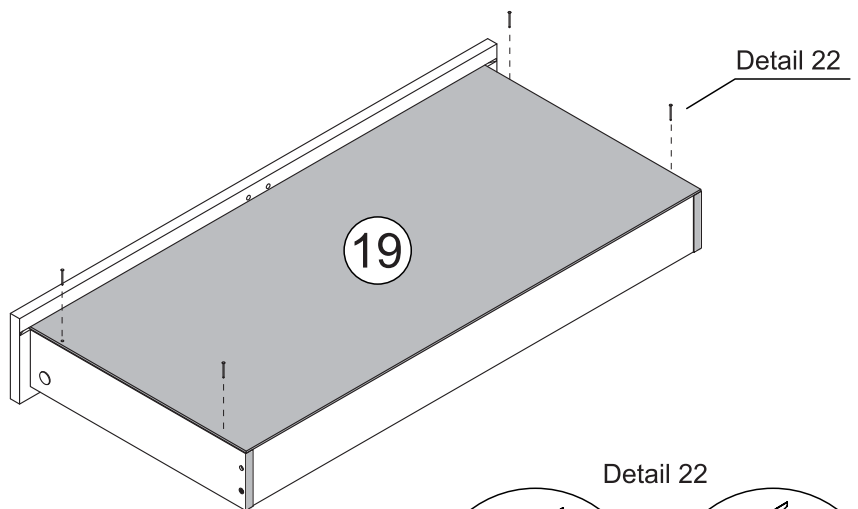
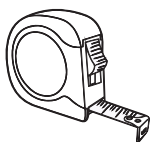
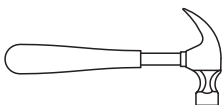
19 - LARGE DRAWER BOTTOM x1



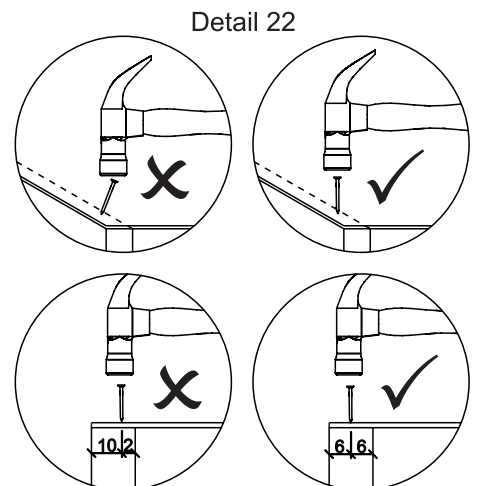
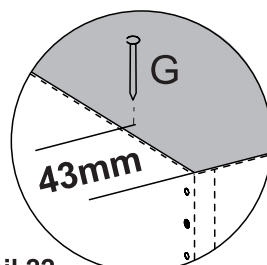
**HARDWARE REQUIRED**



**TOOLS REQUIRED**



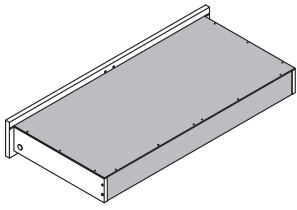
Detail 22



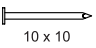
# STEP 22

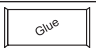
## PARTS REQUIRED

20 - DRAWER BOTTOM SUPPORT BAR x1

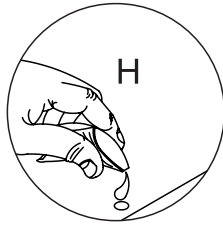
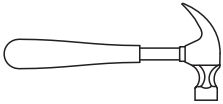


## HARDWARE REQUIRED

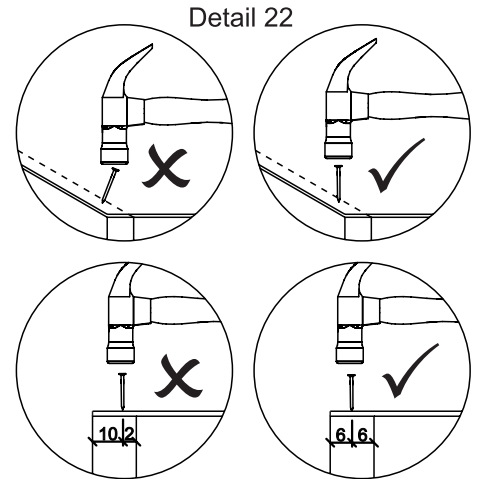
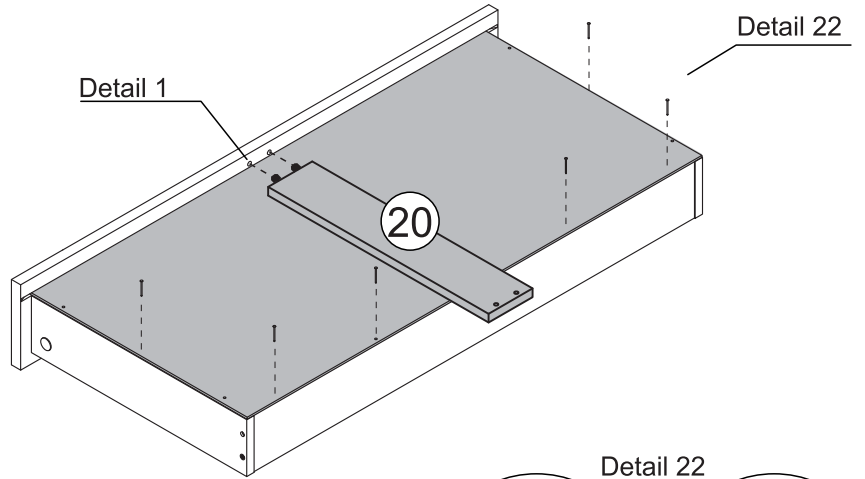
G  06

H  01

## TOOLS REQUIRED

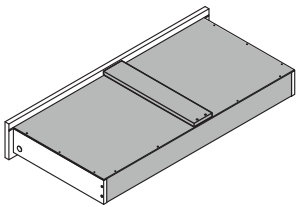


Detail 1

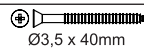


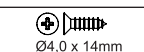
# STEP 23

## PARTS REQUIRED



## HARDWARE REQUIRED

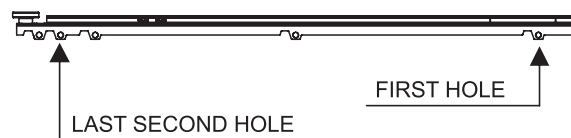
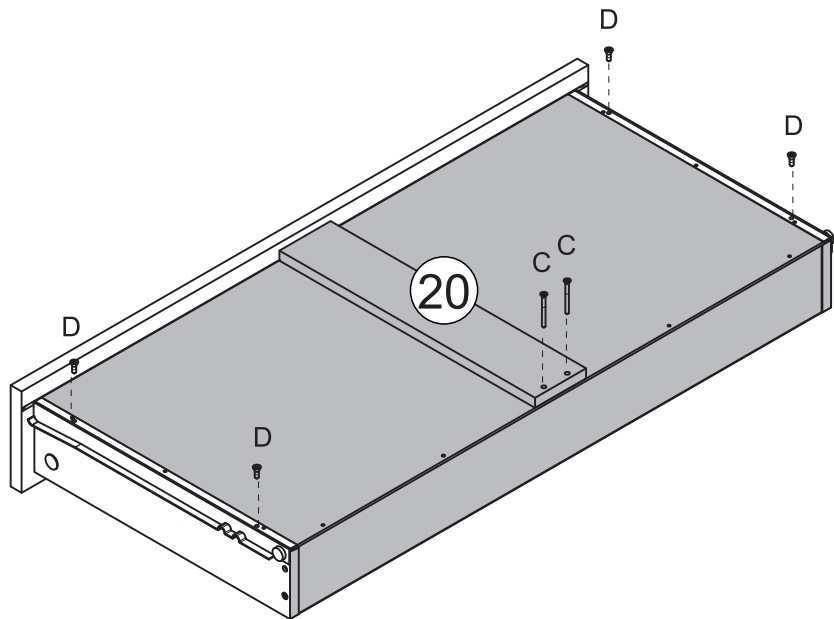
C  02

D  04

I  01

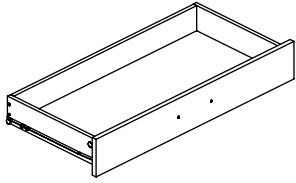
I  01

## TOOLS REQUIRED



# STEP 24

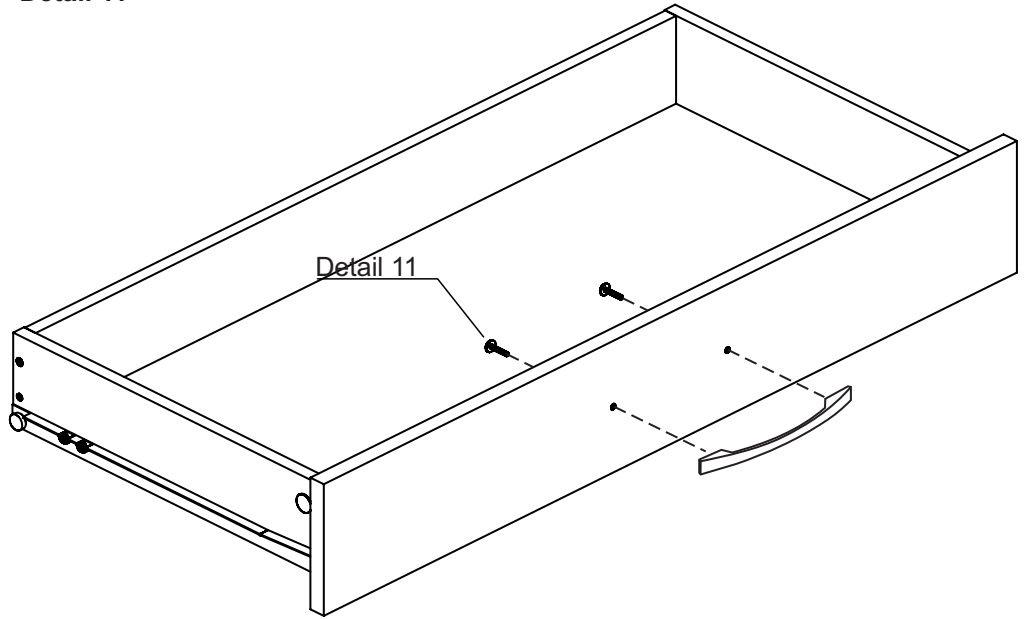
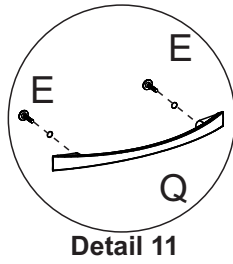
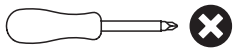
PARTS REQUIRED



HARDWARE REQUIRED



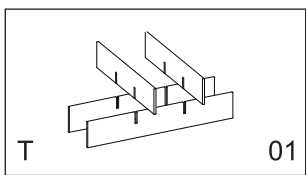
TOOLS REQUIRED



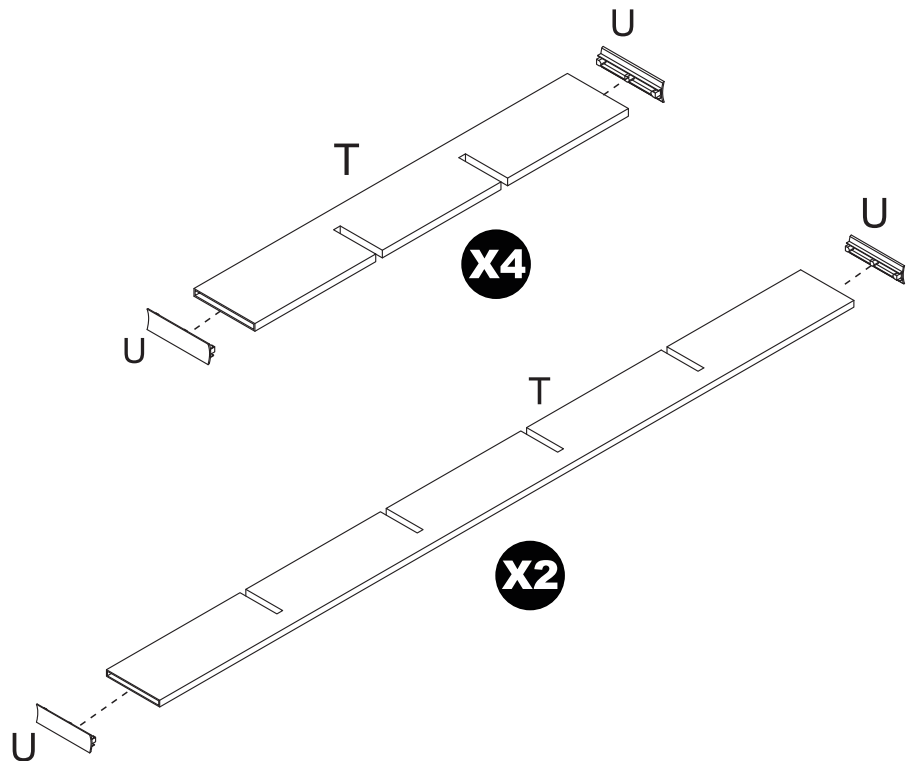
# STEP 25

PARTS REQUIRED

HARDWARE REQUIRED



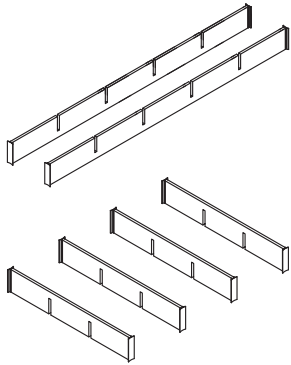
TOOLS REQUIRED



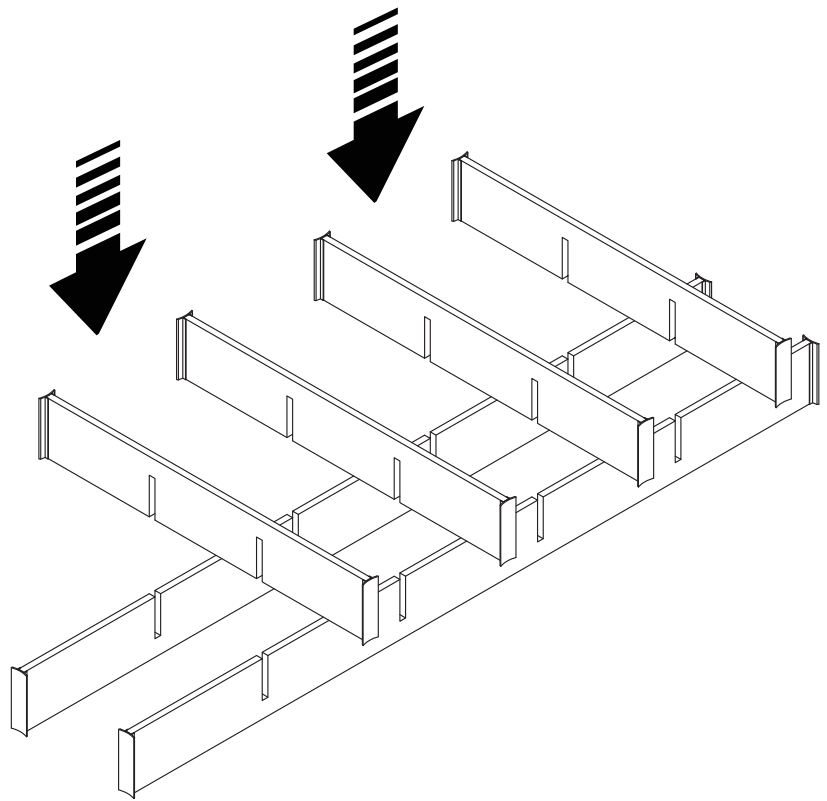
# STEP 26

PARTS REQUIRED

HARDWARE REQUIRED

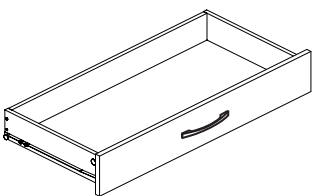


TOOLS REQUIRED

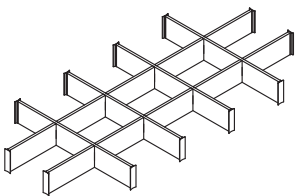


# STEP 27

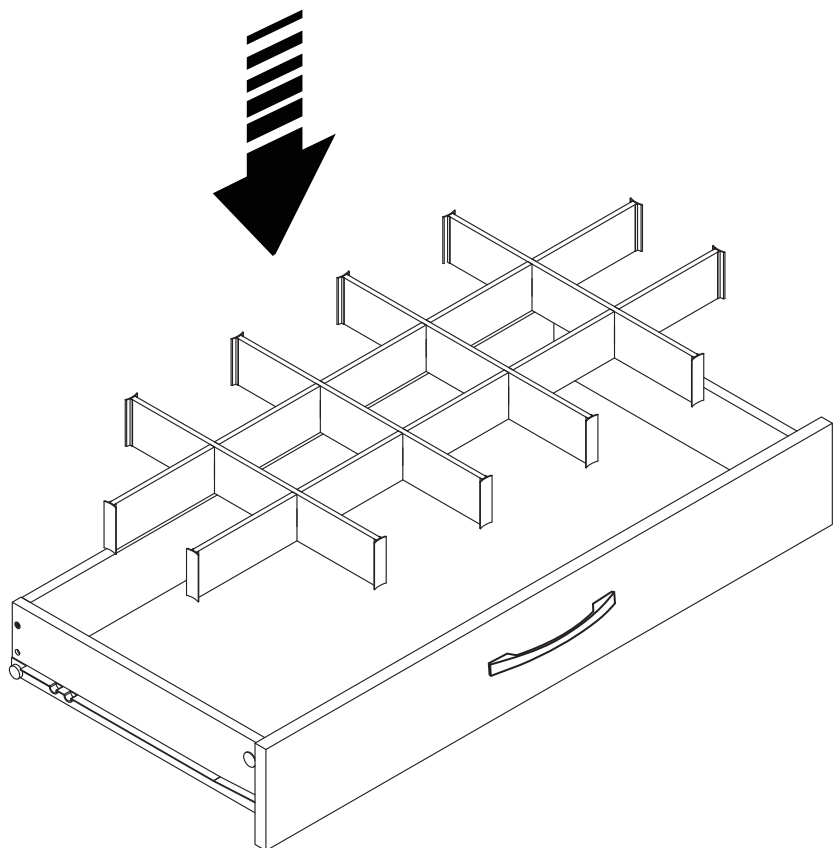
PARTS REQUIRED



HARDWARE REQUIRED



TOOLS REQUIRED


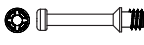
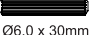


# STEP 28

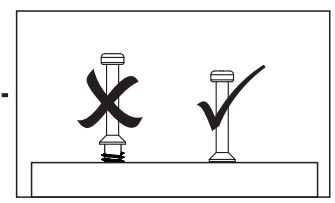
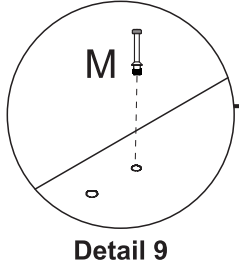
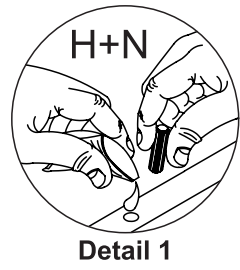
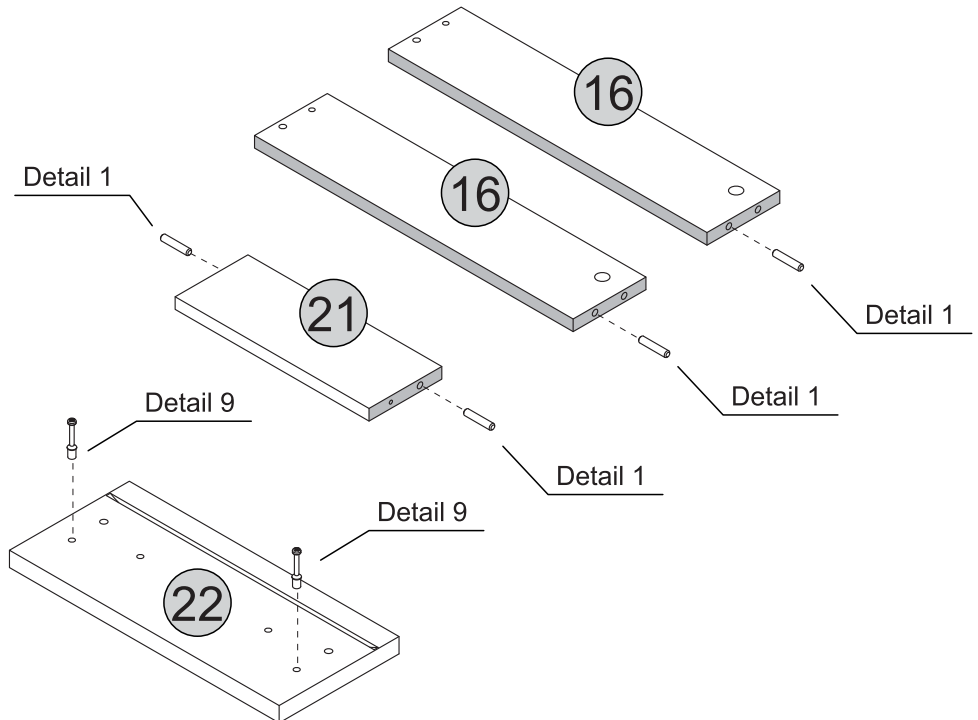
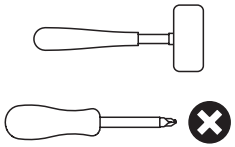
## PARTS REQUIRED

- 16 - DRAWER SIDE x2
- 21 - SMALL DRAWER BOTTOM PANEL x1
- 22 - SMALL DRAWER FRONT x1

## HARDWARE REQUIRED

- H  01
- M  02
- N  Ø6,0 x 30mm 04

## TOOLS REQUIRED

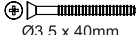



# STEP 29

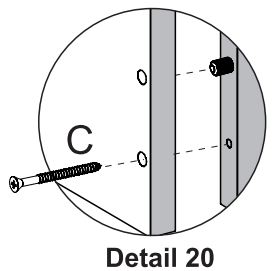
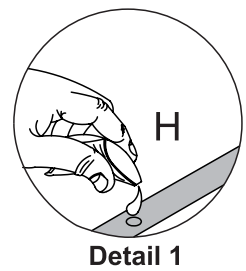
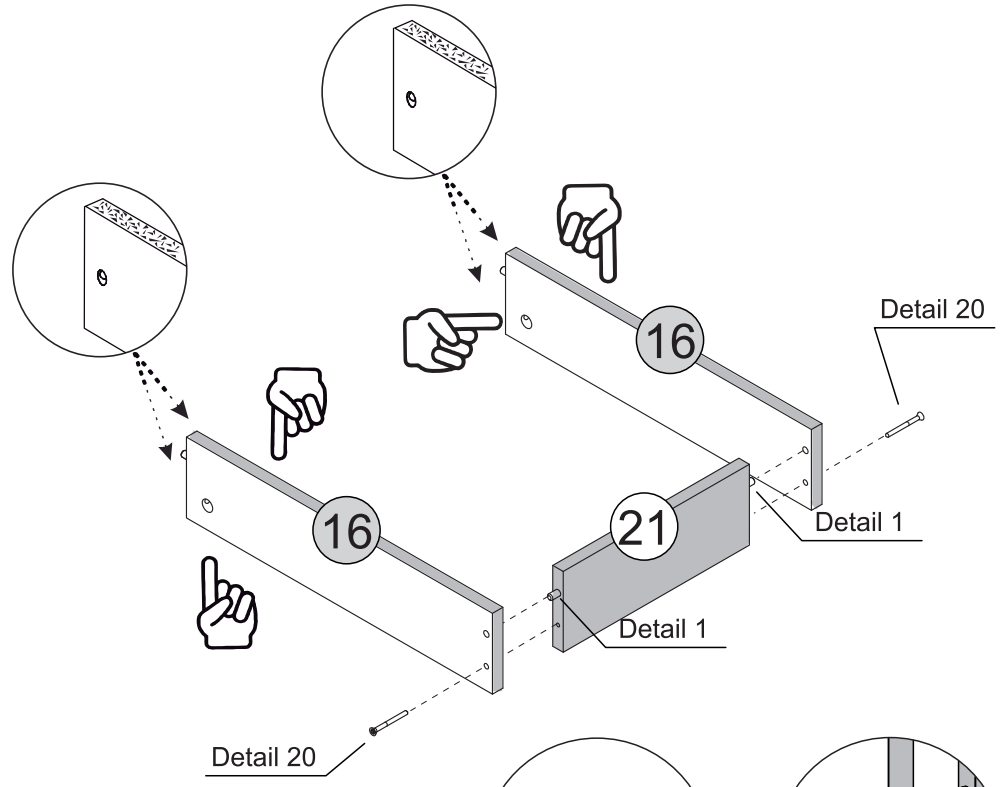
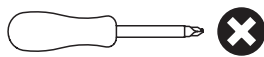
## PARTS REQUIRED

- 16 - DRAWER SIDE x2
- 21 - SMALL DRAWER BACK PANEL x1

## HARDWARE REQUIRED

- C  Ø3,5 x 40mm 02
- H  01

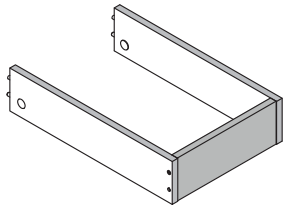
## TOOLS REQUIRED



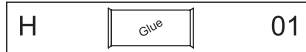
# STEP 30

**PARTS REQUIRED**

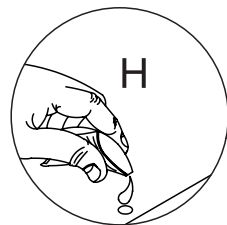
22 - SMALL DRAWER FRONT x1



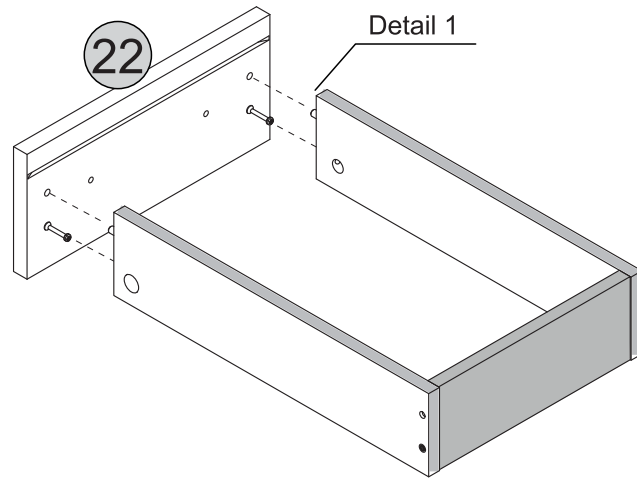
**HARDWARE REQUIRED**



**TOOLS REQUIRED**

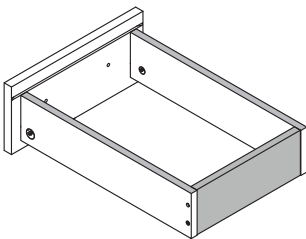


Detail 1



# STEP 31

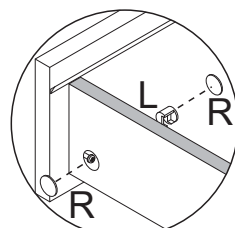
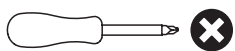
**PARTS REQUIRED**



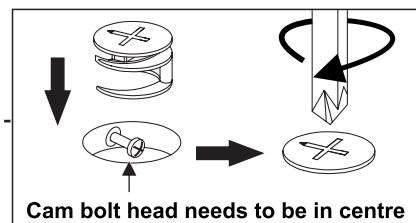
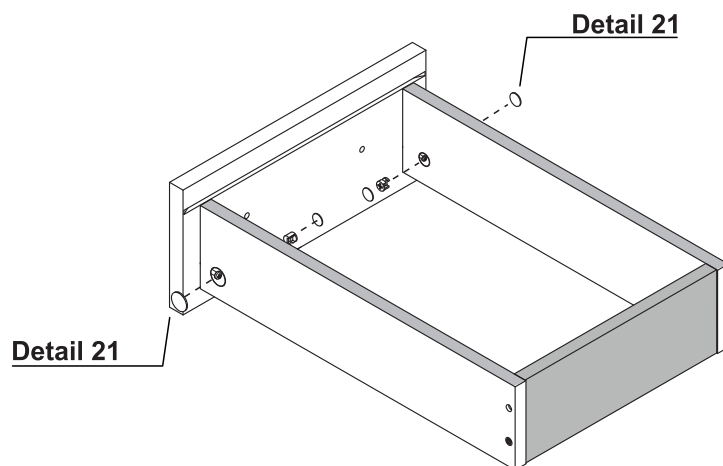
**HARDWARE REQUIRED**



**TOOLS REQUIRED**



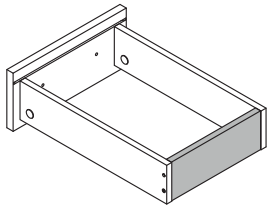
Detail 21



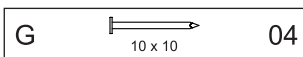
# STEP 32

## PARTS REQUIRED

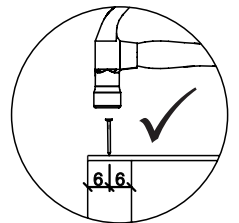
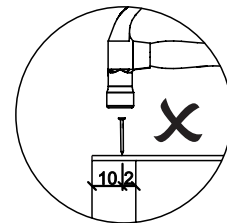
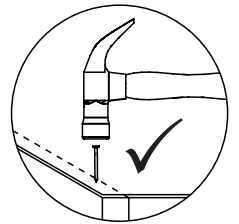
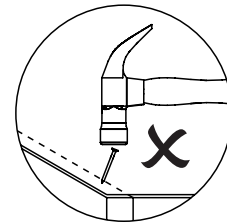
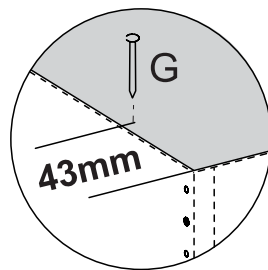
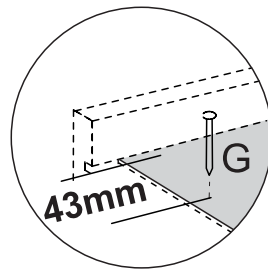
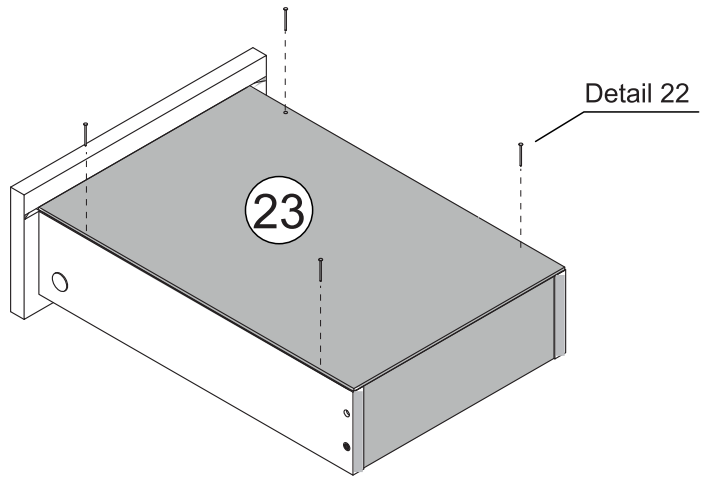
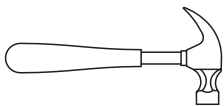
23 - SMALL DRAWER BOTTOM x1



## HARDWARE REQUIRED



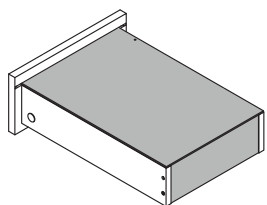
## TOOLS REQUIRED



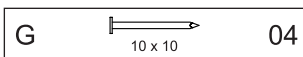
Detail 22

# STEP 33

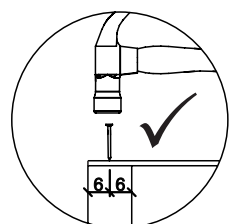
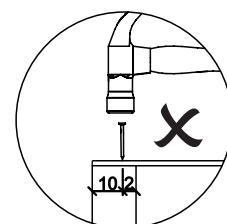
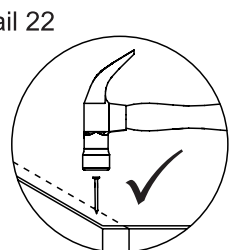
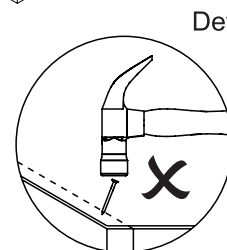
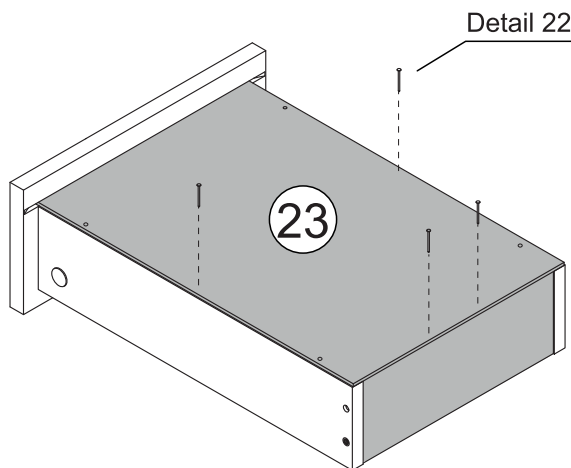
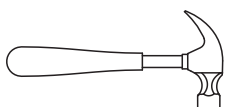
## PARTS REQUIRED



## HARDWARE REQUIRED



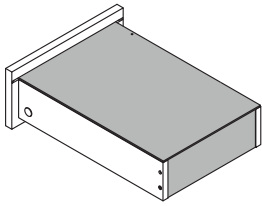
## TOOLS REQUIRED



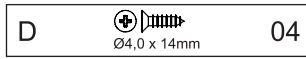
Detail 22

# STEP 34

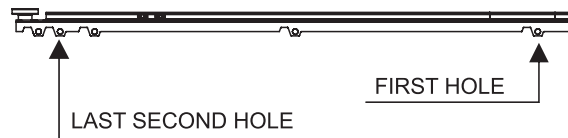
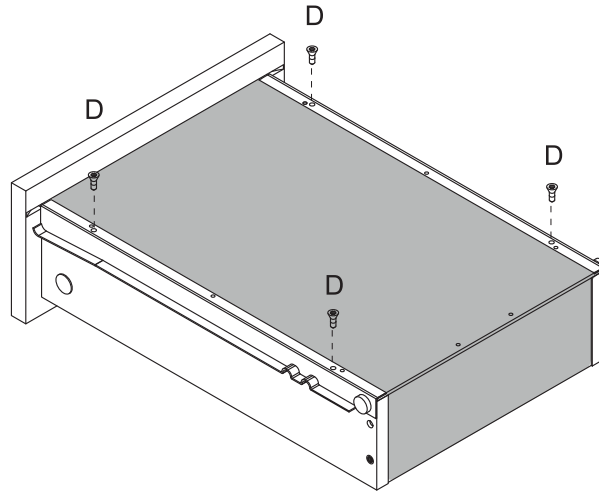
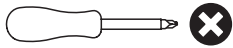
## PARTS REQUIRED



## HARDWARE REQUIRED



## TOOLS REQUIRED



# STEP 35

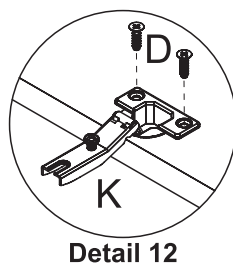
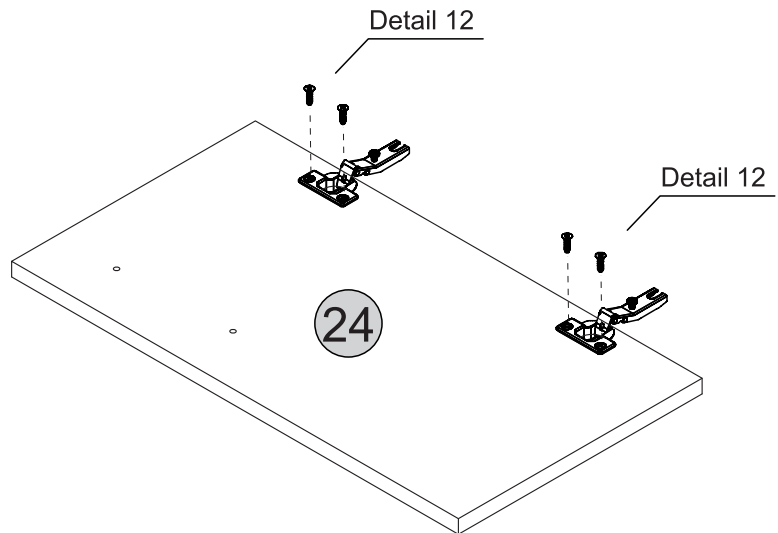
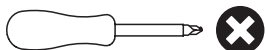
## PARTS REQUIRED



## HARDWARE REQUIRED



## TOOLS REQUIRED

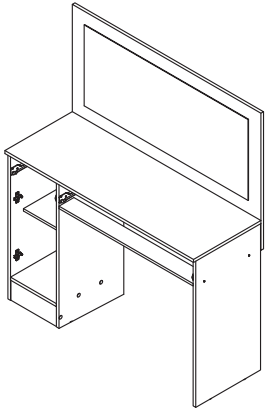




# STEP 36

## PARTS REQUIRED

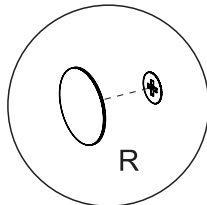
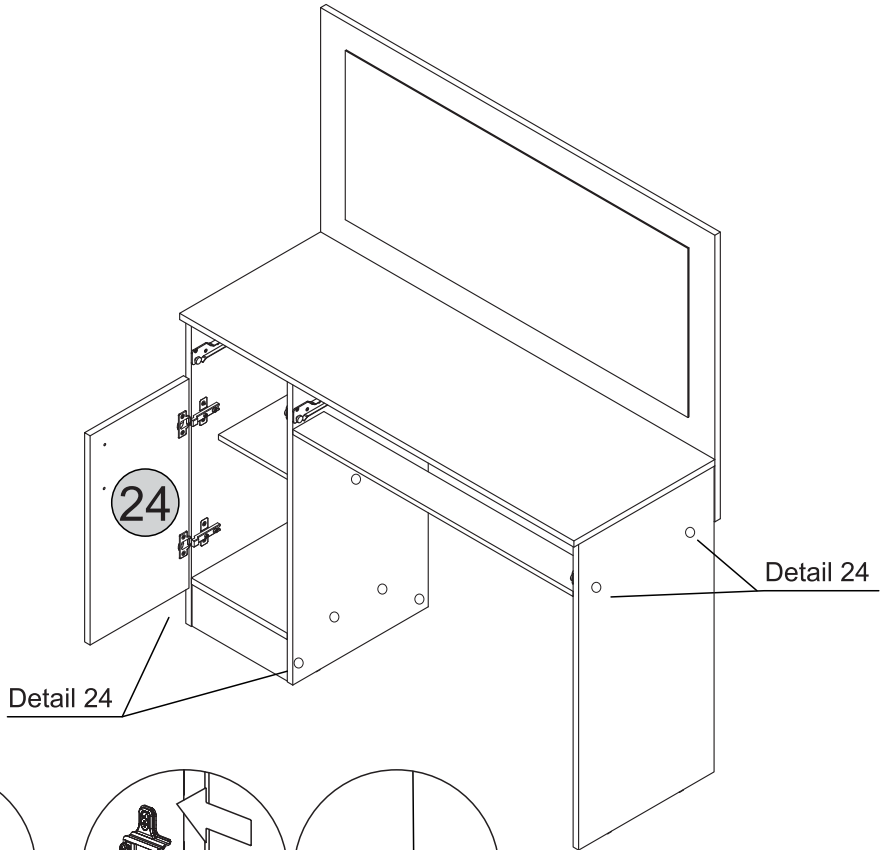
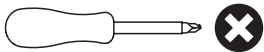
24 - DOOR x1



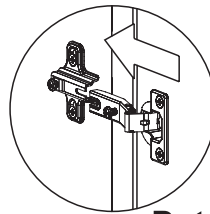
## HARDWARE REQUIRED

R  12

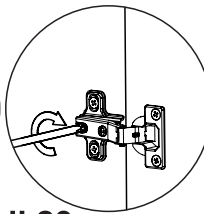
## TOOLS REQUIRED



Detail 24



Detail 23




# STEP 37


## PARTS REQUIRED

12 - STOOL SIDE PANEL x2

## HARDWARE REQUIRED

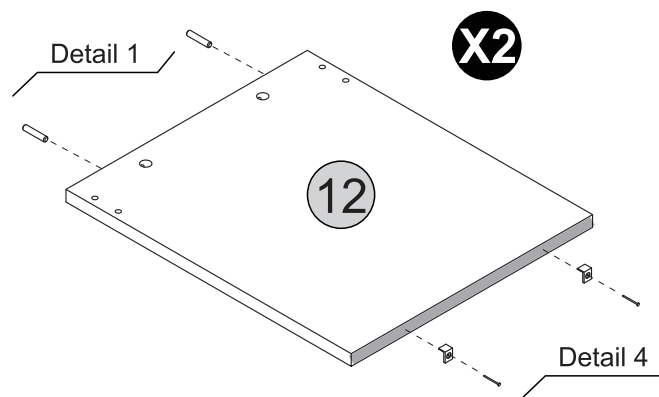
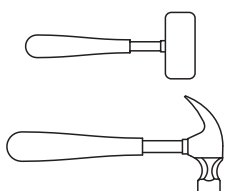
G  04

H  01

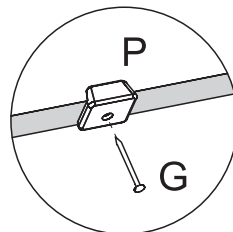
N  Ø6,0 x 30mm 04

P  04

## TOOLS REQUIRED



Detail 1



Detail 4

# STEP 38

## PARTS REQUIRED


13 - STOOL CROSSPIECE x2

14 - STOOL SEAT x1

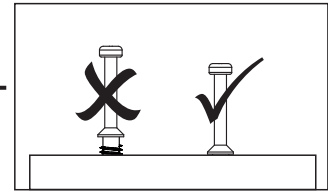
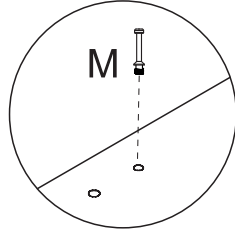
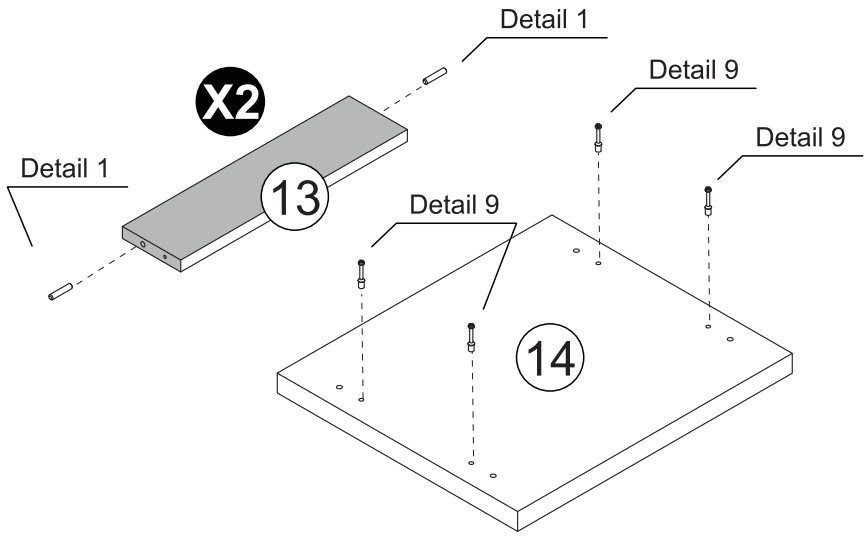
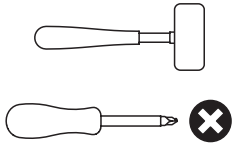
## HARDWARE REQUIRED

H  01

M  04

N  04  
Ø6,0 x 30mm

## TOOLS REQUIRED



Detail 1

Detail 9

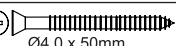
# STEP 39

## PARTS REQUIRED

12 - STOOL SIDE PANEL x2

13 - STOOL CROSSPIECE x2

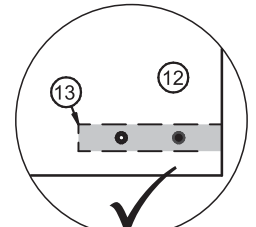
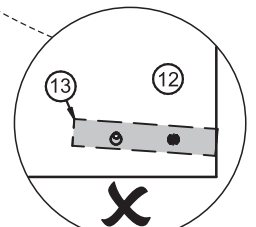
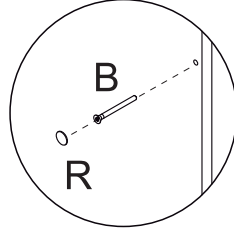
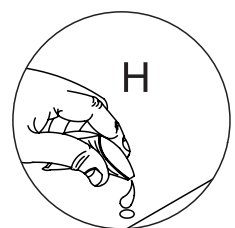
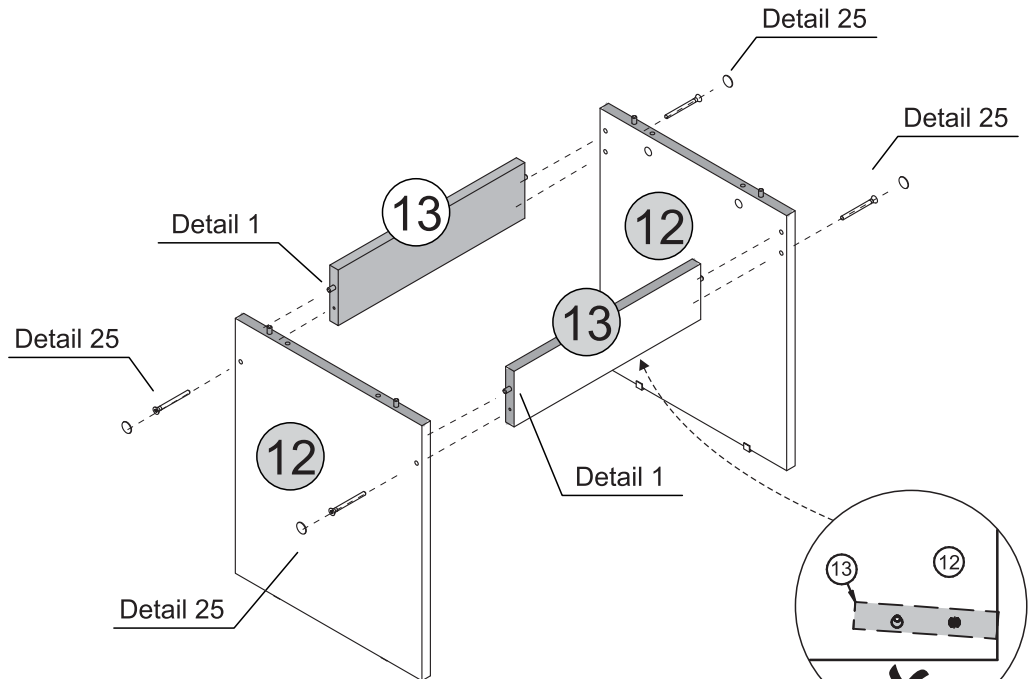
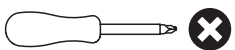
## HARDWARE REQUIRED

B  04  
Ø4,0 x 50mm

H  01

R  04

## TOOLS REQUIRED



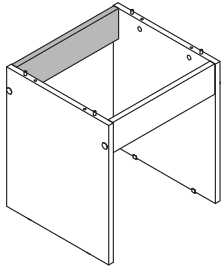
Detail 1

Detail 25

# STEP 40


## PARTS REQUIRED

14 - STOOL SEAT x1

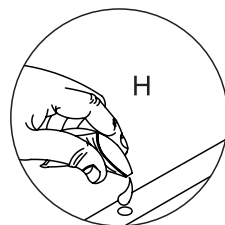
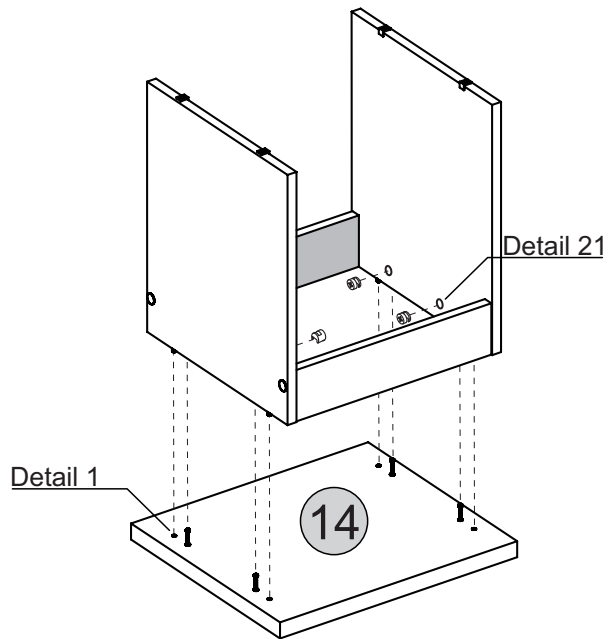
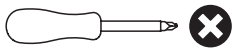


## HARDWARE REQUIRED

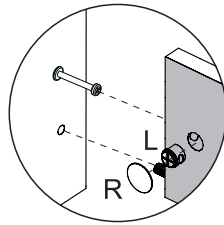
H  01

L  04

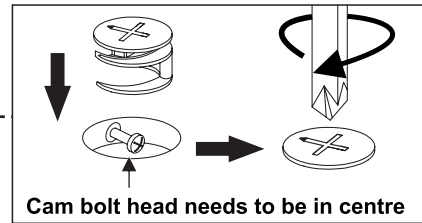
## TOOLS REQUIRED



Detail 1



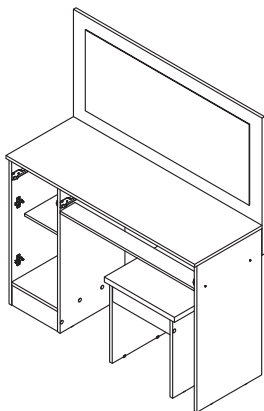
Detail 21




Cam bolt head needs to be in centre

# STEP 41

## PARTS REQUIRED

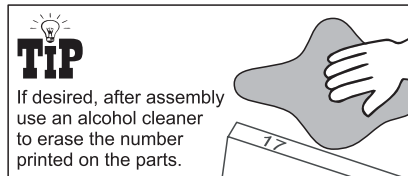
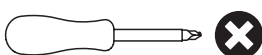


## HARDWARE REQUIRED

E  04  
Ø4,0 x 20mm

Q  02

## TOOLS REQUIRED



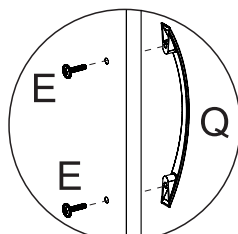
**TIP**

If desired, after assembly use an alcohol cleaner to erase the number printed on the parts.

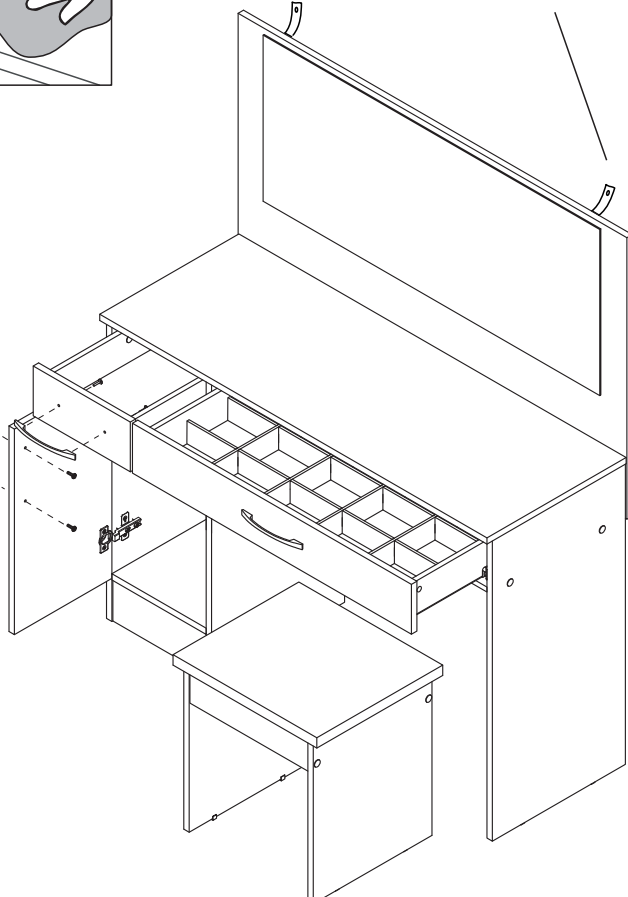


See the last page

Detail 25

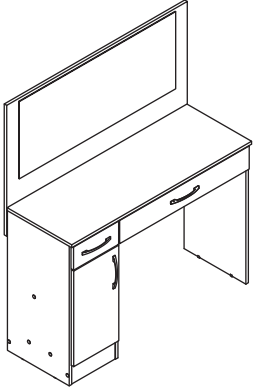


Detail 25

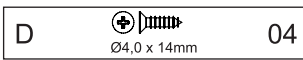


# STEP 42

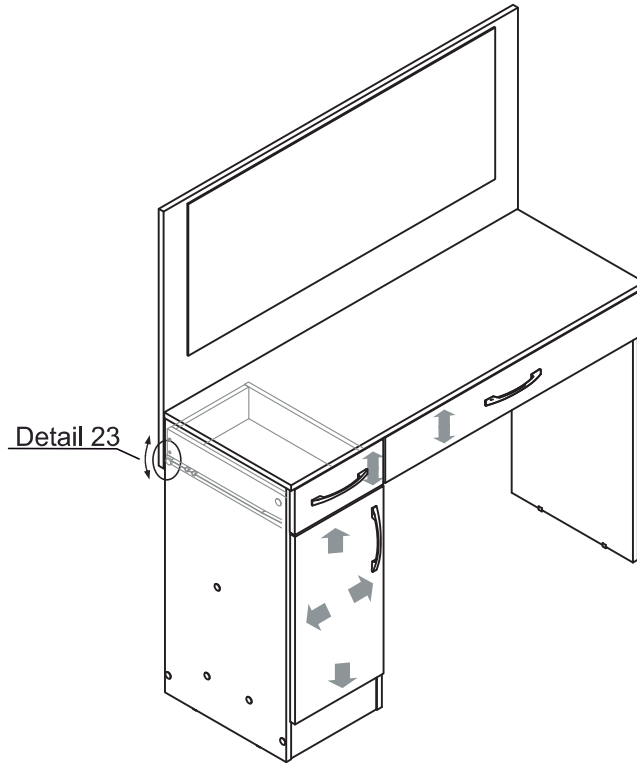
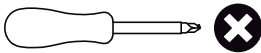
**PARTS REQUIRED**



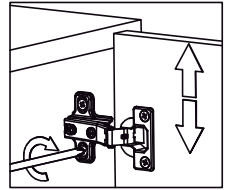
**HARDWARE REQUIRED**



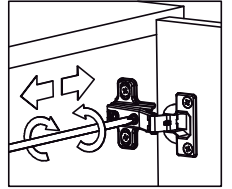
**TOOLS REQUIRED**



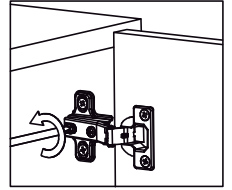
**Height Adjustment**



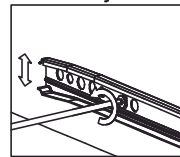
**Internal Adjustment**



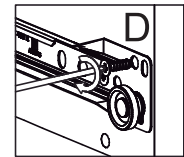
**Depth Adjustment**



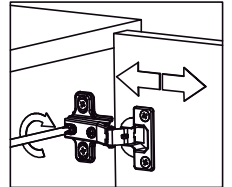
**Drawer Adjustment**



**Drawer Lock**



Detail 23

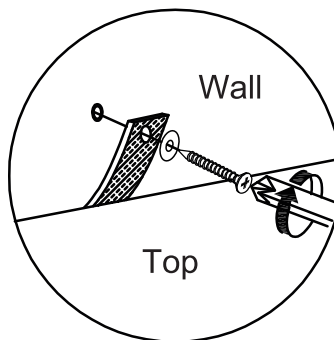
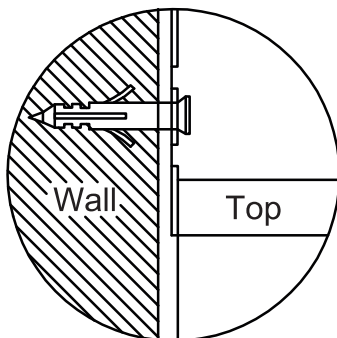
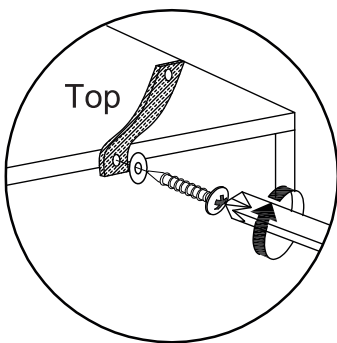


## WARNING

**Serious or fatal injuries can occur from furniture tipping over. To prevent the furniture from tipping over we recommend that it is permanently fixed to the wall.**

Wall fixings are not supplied with this product as different wall materials require different types of fixing devices.

Please make sure you use fixings suitable for the walls in your home.



	<b>A</b> Flan Head Screw Ø4,0 x 14mm (2x)
	<b>S</b> Washer (4x)
	<b>O</b> Strap (2x)