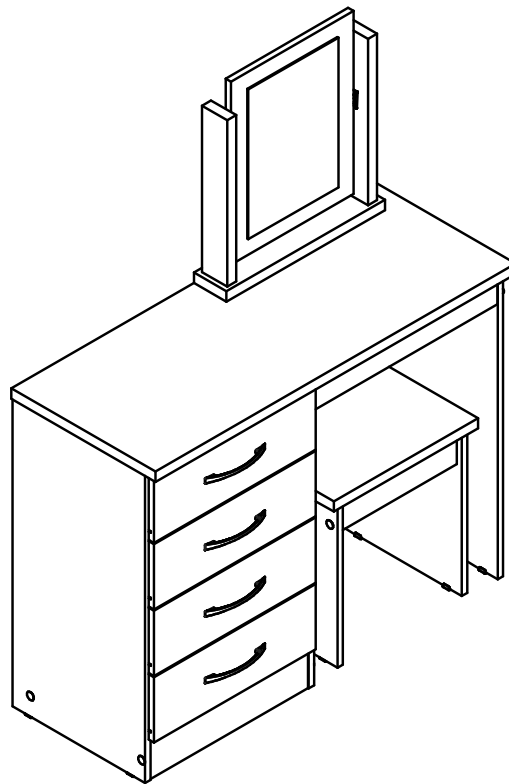


# NEVADA DRESSING TABLE SET ASSEMBLY INSTRUCTIONS BLACK WOOD GRAIN



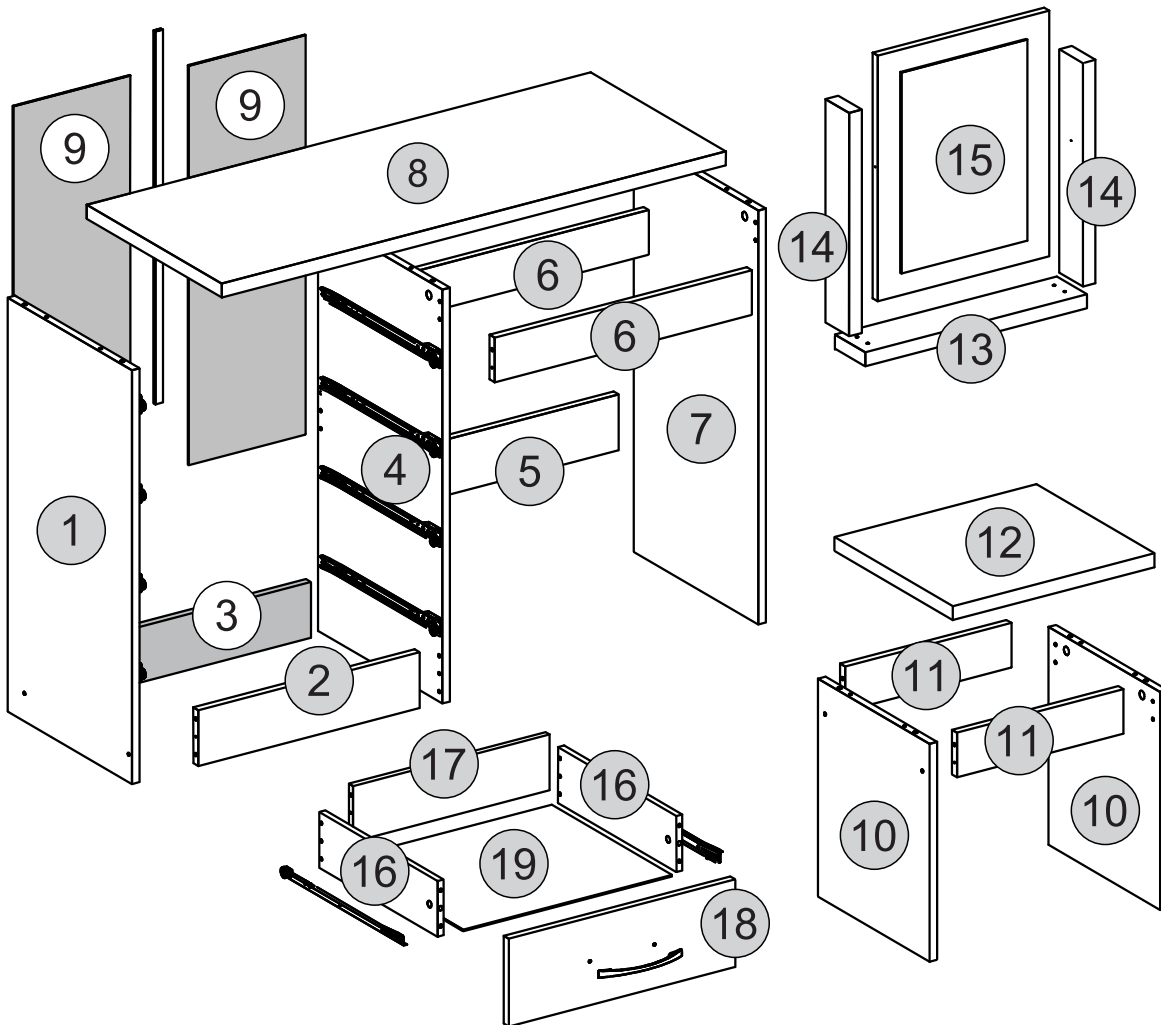
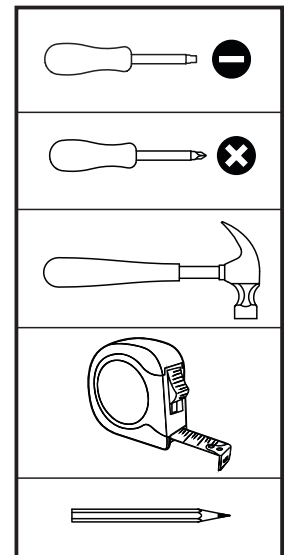
## IMPORTANT FOR DOMESTIC USE ONLY

PLEASE READ BEFORE YOU CONTINUE FURTHER

## CARE AND MAINTENANCE

- After unpacking this product please keep the original packaging in case it needs to be returned for any reason.
- Please ensure all fittings and parts are present before commencing with assembly.
  - Never drag or push products as this could cause damage to the joints making it inferior.
  - We strongly recommend that you keep children away from your work area.
  - We recommend that you lay a blanket or sheet on the floor to avoid damage to both your floor and the product.
  - Assemble this product as close to its final position as possible.
  - Do not place this product next to a radiator or in direct sunlight.
  - Do not drag or push items across your high gloss furniture as this may cause the surface to scratch
  - Wood is a natural product and may expand if subjected to damp and may shrink or crack if subjected to heat. Therefore it is recommended that room temperature is maintained, with no sudden temperature fluctuations.
  - Make sure any spillage is wiped off immediately.
  - Do not place hot or chilled items directly on to the surface, use a place mat or marking will occur.
  - For general cleaning use a soft cotton or micro fibre cloth, and do not use detergents of any kind.
  - From time to time it may be necessary to tighten fittings, regular inspections should be carried out.
  - Do not place on a wet or damp floor as staining may occur to your floor.

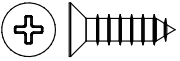
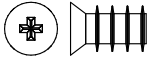
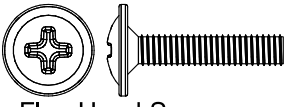
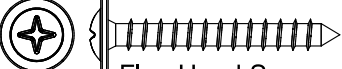
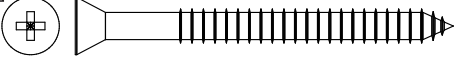
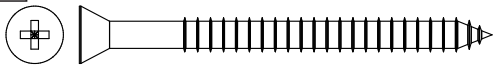

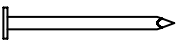
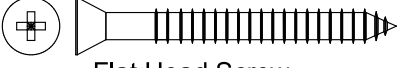
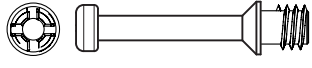
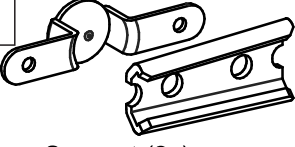
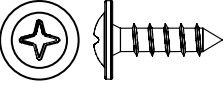
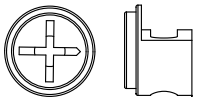
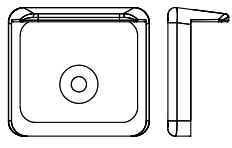



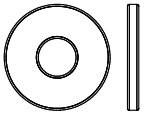

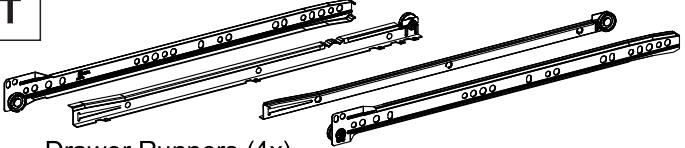
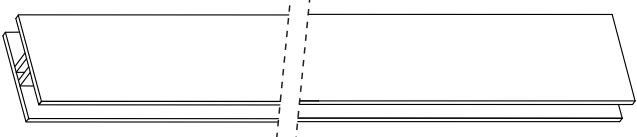
## TOOLS REQUIRED

***Please Note:***

The below parts have all been stamped with the part number to help identify them during assembly.

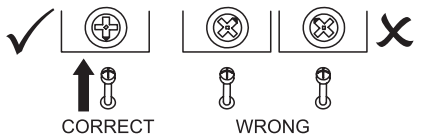
<b>Part Number</b>	<b>Part Code</b>	<b>Part Description</b>	<b>Quantity</b>	<b>Carton</b>
1	S100-105-020-DM1-01	Left Chest Side Panel	1	1/2
2	S100-105-020-DM1-02	Front Baseboard	1	1/2
3	S100-105-020-DM1-03	Back Baseboard	1	1/2
4	S100-105-020-DM1-04	Right Chest Side Panel	1	1/2
5	S100-105-020-DM1-05	Back Crossbar	1	1/2
6	S100-105-020-DM1-06	Upper Crossbar	2	1/2
7	S100-105-020-DM1-07	Right Table Side Panel	1	1/2
8	S100-105-020-DM1-08	Top Panel	1	2/2
9	S100-105-020-DM1-09	Back Panel	2	1/2
10	S100-105-020-DM1-10	Stool Side Panel	2	2/2
11	S100-105-020-DM1-11	Stool Crosspiece	2	2/2
12	S100-105-020-DM1-12	Stool Seat	1	2/2
13	S100-105-020-DM1-13	Mirror Base Panel	1	1/2
14	S100-105-020-DM1-14	Mirror Side Panel	2	2/2
15	S100-105-020-DM1-15	Mirror Panel	1	2/2
16	S100-105-020-DM1-16	Drawer Side	8	2/2
17	S100-105-020-DM1-17	Drawer Back	4	2/2
18	S100-105-020-DM1-18	Drawer Front	4	1/2
19	S100-105-020-DM1-19	Drawer Bottom	4	2/2

# FITTINGS LIST

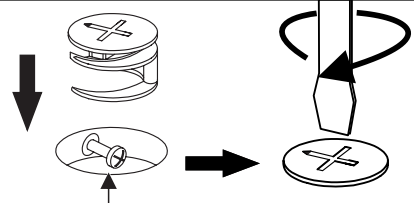
<p><b>A</b></p>  <p>Black Flat Head Screw Ø4,0 x 14mm (32x)</p> <p>+/2</p>	<p><b>B</b></p>  <p>Flat Head Screw Ø6,0 x 8mm (16x)</p> <p>+/2</p>	<p><b>C</b></p>  <p>Flan Head Screw Ø4,0 x 20mm (8x)</p> <p>+/1</p>	<p><b>D</b></p>  <p>Flan Head Screw Ø3,5 x 30mm (2x)</p> <p>+/1</p>
<p><b>E</b></p>  <p>Flat Head Screw Ø4,0 x 50mm (4x)</p> <p>+/1</p>	<p><b>F</b></p>  <p>Flat Head Screw Ø5,0x60mm (4x)</p> <p>+/1</p>	<p><b>G</b></p>  <p>+/2 Dowel Ø6,0 x 30mm (62x)</p>	
<p><b>H</b></p>  <p>Nail 10 x 10 (65x)</p> <p>+/5</p>	<p><b>I</b></p>  <p>Flat Head Screw Ø 4,0 x 45mm (18x)</p> <p>+/2</p>	<p><b>J</b></p>  <p>Cam Bolt (18x)</p> <p>+/2</p>	<p><b>K</b></p>  <p>Mirror Support (2x)</p>
<p><b>L</b></p>  <p>Flan Head Screw Ø3,5 x 12mm (4x)</p> <p>+/1</p>	<p><b>M</b></p>  <p>Cam Nut Ø12mm (18x)</p> <p>+/2</p>	<p><b>N</b></p>  <p>Plastic Foot (10x)</p> <p>+/2</p>	<p><b>O</b></p>  <p>Hole Plugs (28x)</p> <p>+/2</p>
<p><b>P</b></p>  <p>Glue (3x)</p>	<p><b>Q</b></p>  <p>Strap (2x)</p>	<p><b>R</b></p>  <p>Washer (4x)</p> <p>+/1</p>	<p><b>S</b></p>  <p>Handle (4x)</p>
<p><b>T</b></p>  <p>Drawer Runners (4x)</p>		<p><b>U</b></p>  <p>Back Panel Strip (1x)</p>	

## TIPS FOR FITTINGS CAM-LOCKS

WHEN FITTING CAM NUT. ENSURE STARTING POSITION IS CORRECT BEFORE YOU INSERT CONNECTING CAM BOLT TURN CLOCKWISE UNTIL SECURE



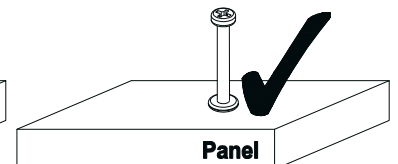
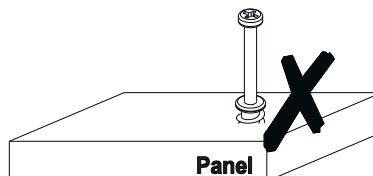
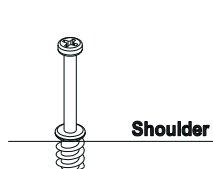
**CORRECT**      **WRONG**



**Cam bolt head needs to be in centre**

### CAMBOLT

Tighten until shoulder in flush with panel. Do not overtighten or undertighten (see example beside)



# STEP 1

## PARTS REQUIRED

2 - FRONT BASEBOARD x1


3 - BACK BASEBOARD x1

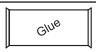
5 - BACK CROSSBAR x1

6 - UPPER CROSSBAR x2

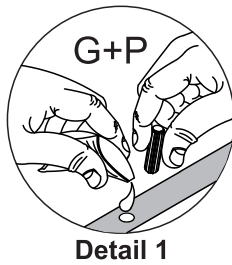
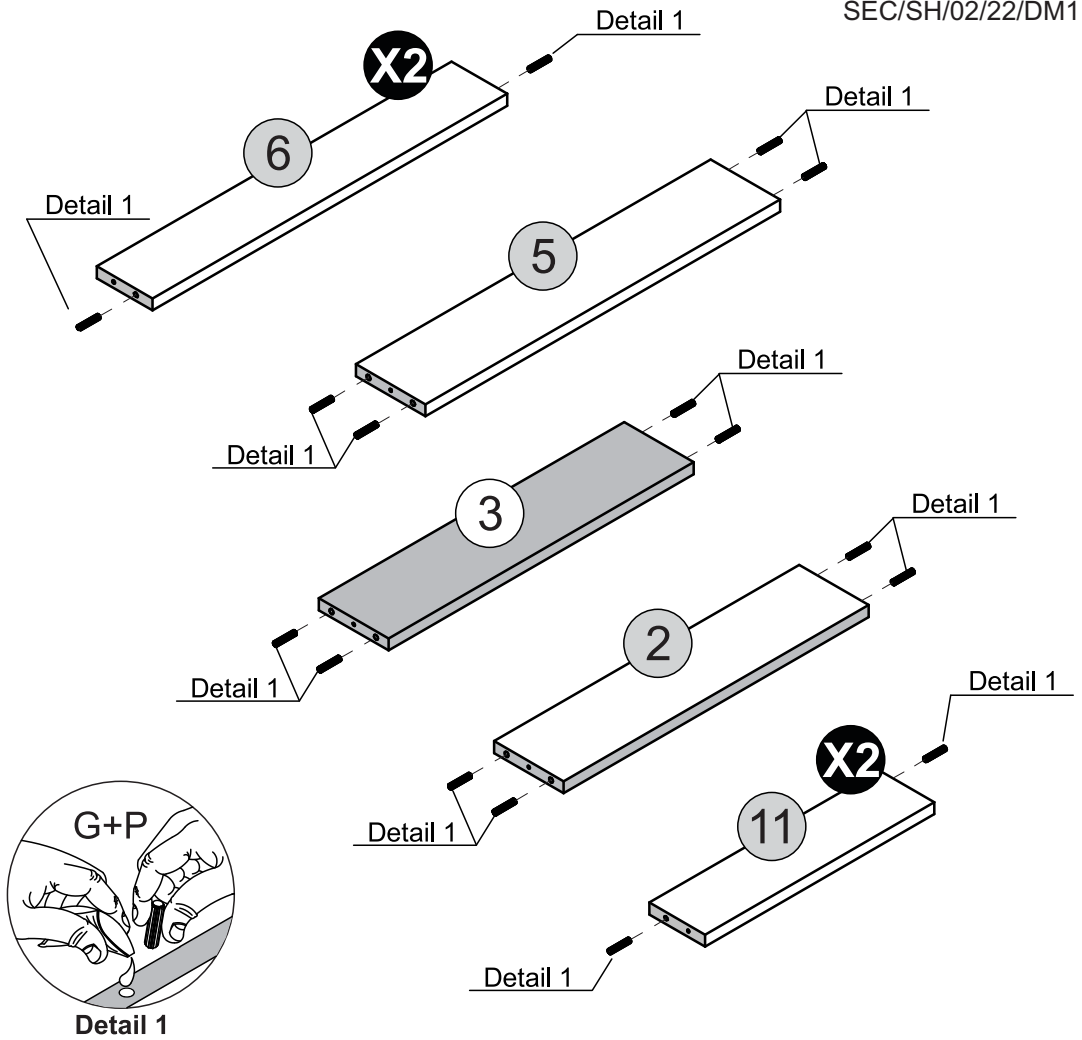
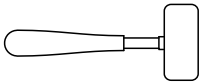
11 - STOOL CROSSPIECE x2

## HARDWARE REQUIRED

G  20  
Ø6.0 x 30mm

P  01  
Glue

## TOOLS REQUIRED



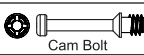
# STEP 2

## PARTS REQUIRED

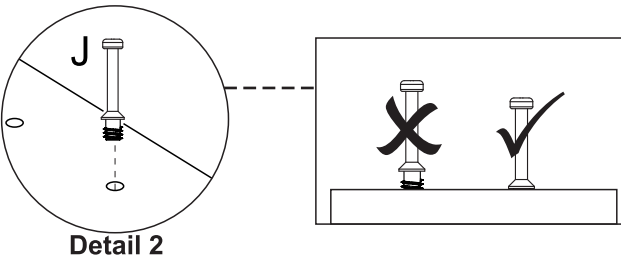
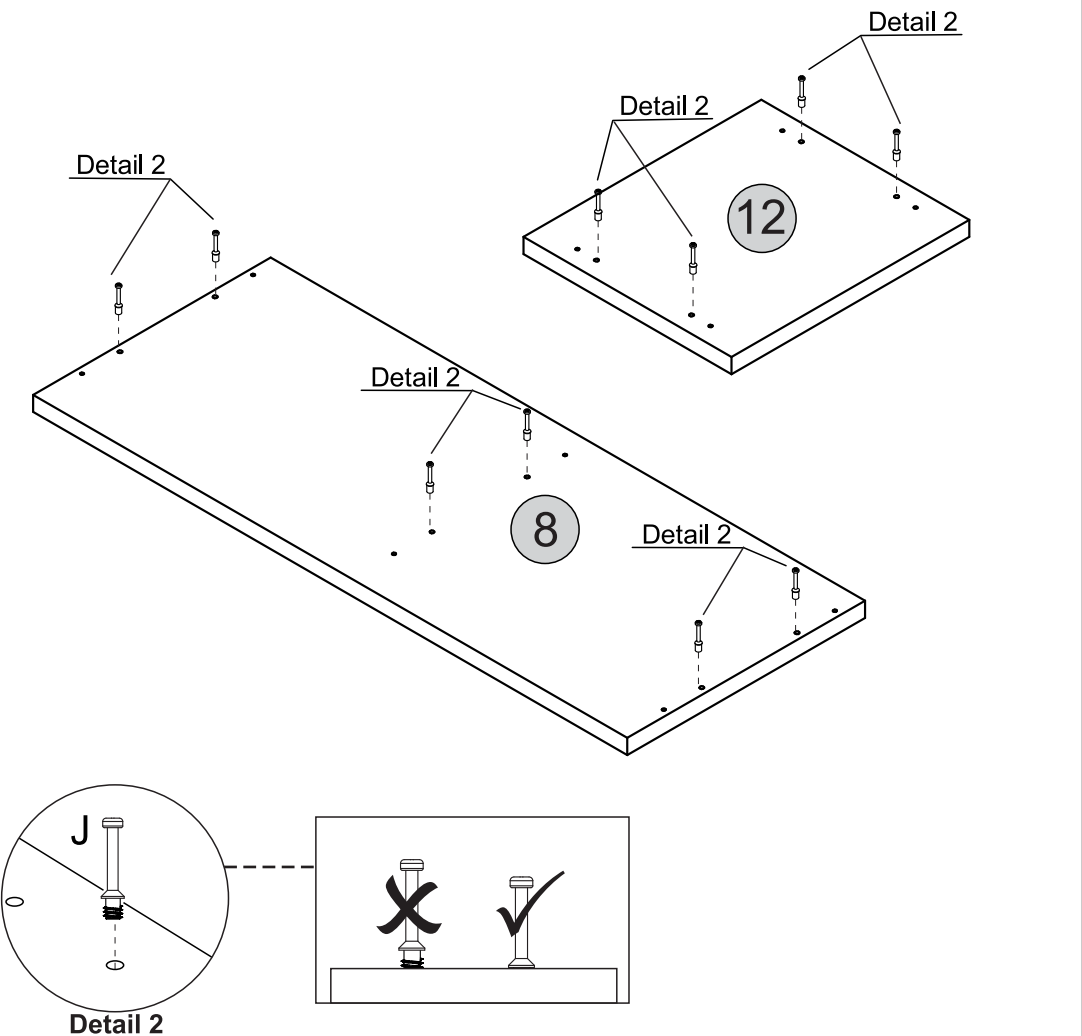
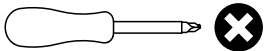
8 - TOP PANEL x1

12 - STOOL SEAT x1

## HARDWARE REQUIRED

J  10  
Cam Bolt

## TOOLS REQUIRED

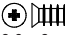
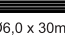
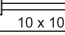


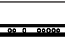


# STEP 3

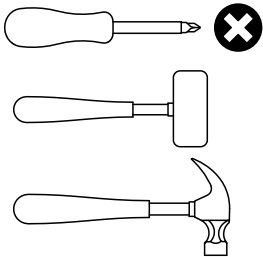
## PARTS REQUIRED

4 - RIGHT CHEST SIDE PANEL x1

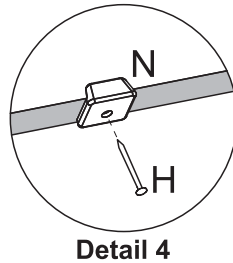
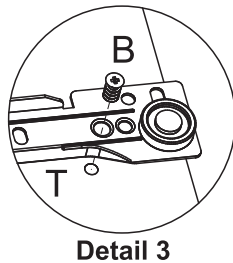
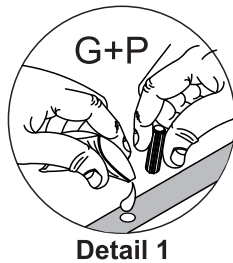
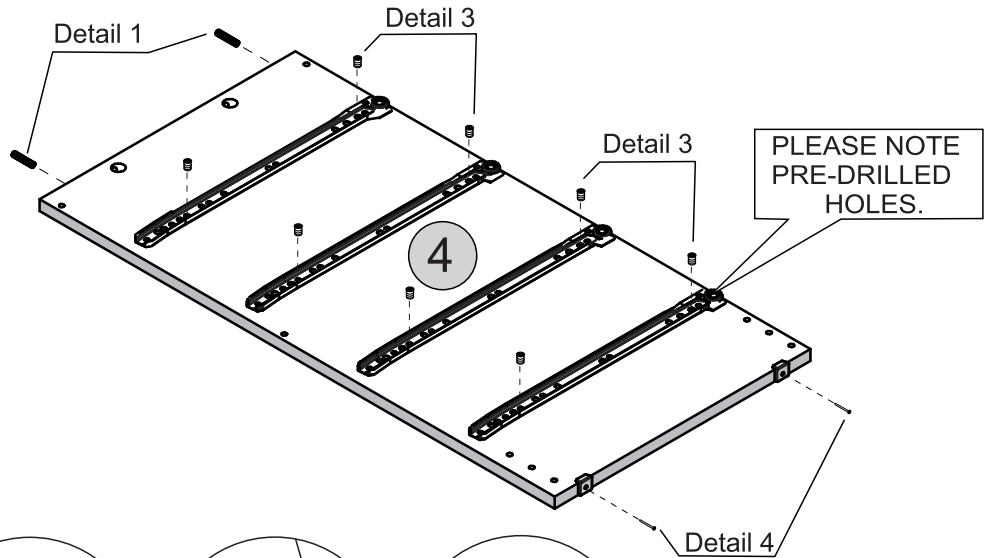
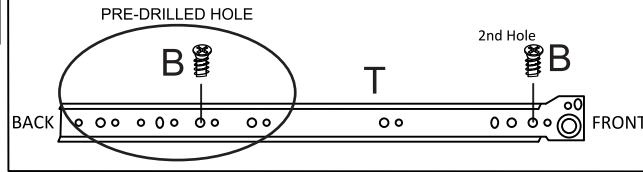
## HARDWARE REQUIRED

B	 Ø6,0 x 8mm	08
G	 Ø6,0 x 30mm	02
H	 10 x 10	02
N		02
P	 Glue	01
T	 Right	04

## TOOLS REQUIRED



To Assemble the Drawer Slide, Please Follow Step as Below


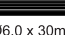
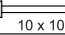

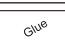
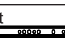


# STEP 4

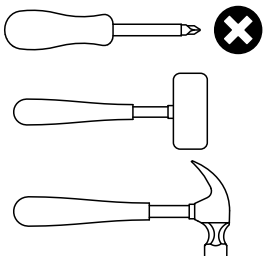
## PARTS REQUIRED

1 - LEFT CHEST SIDE PANEL x1

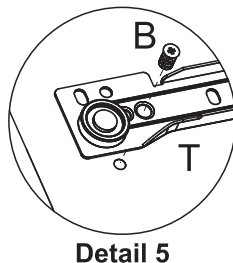
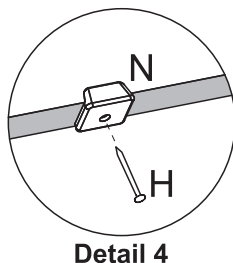
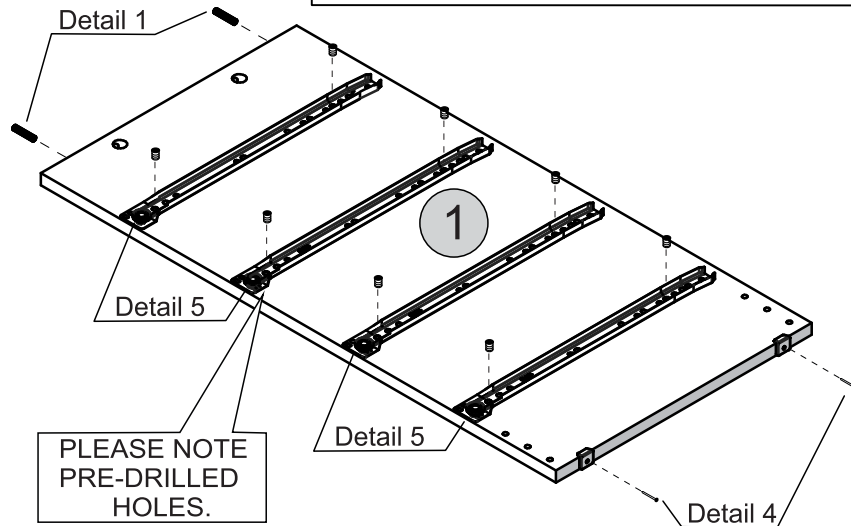
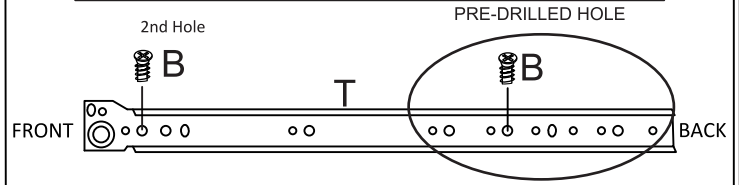
## HARDWARE REQUIRED

B	 Ø6,0 x 8mm	08
G	 Ø6,0 x 30mm	02
H	 10 x 10	02
N		02
P	 Glue	01
T	 Left	04

## TOOLS REQUIRED



To Assemble the Drawer Slide, Please Follow Step as Below




# STEP 5

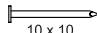
## PARTS REQUIRED

7 - RIGHT TABLE SIDE PANEL x1

10 - STOOL SIDE PANEL x2

## HARDWARE REQUIRED

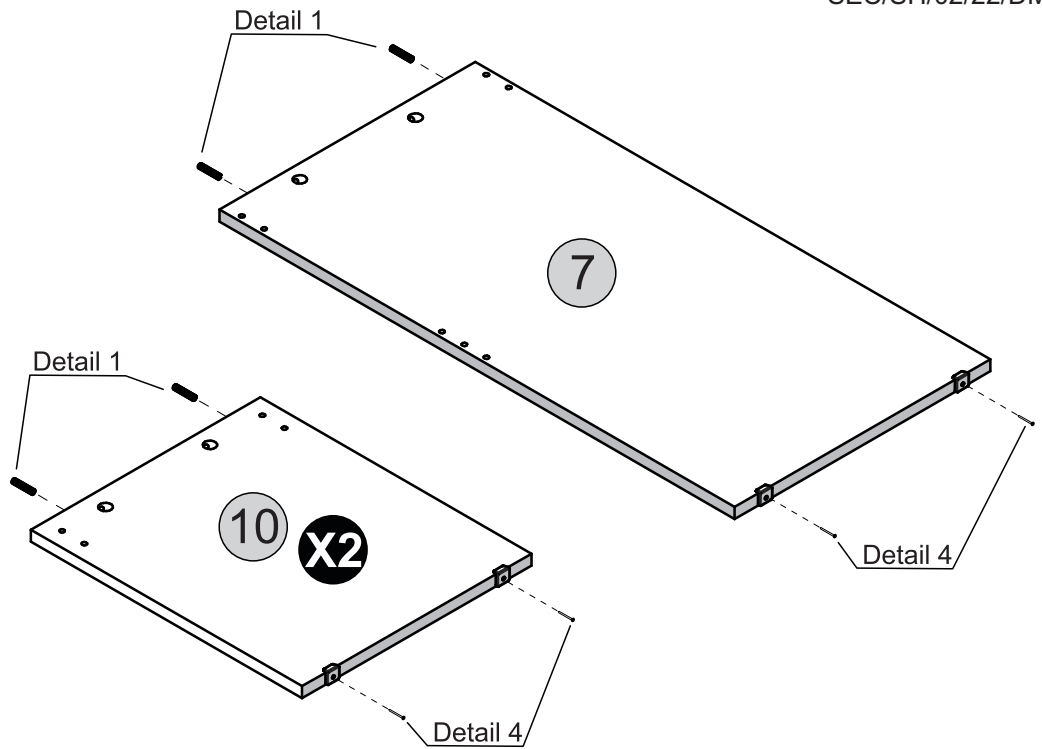
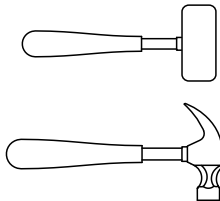
G  06  
Ø6,0 x 30mm

H  06  
10 x 10

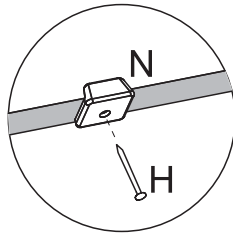
N  06

P  01  
Glue

## TOOLS REQUIRED



Detail 1



Detail 4

# STEP 6

## PARTS REQUIRED

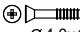
1 - LEFT CHEST SIDE PANEL x1


2 - FRONT BASEBOARD x1

3 - BACK BASEBOARD x1

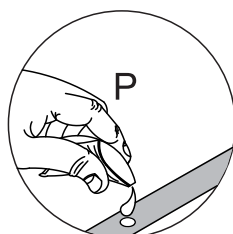
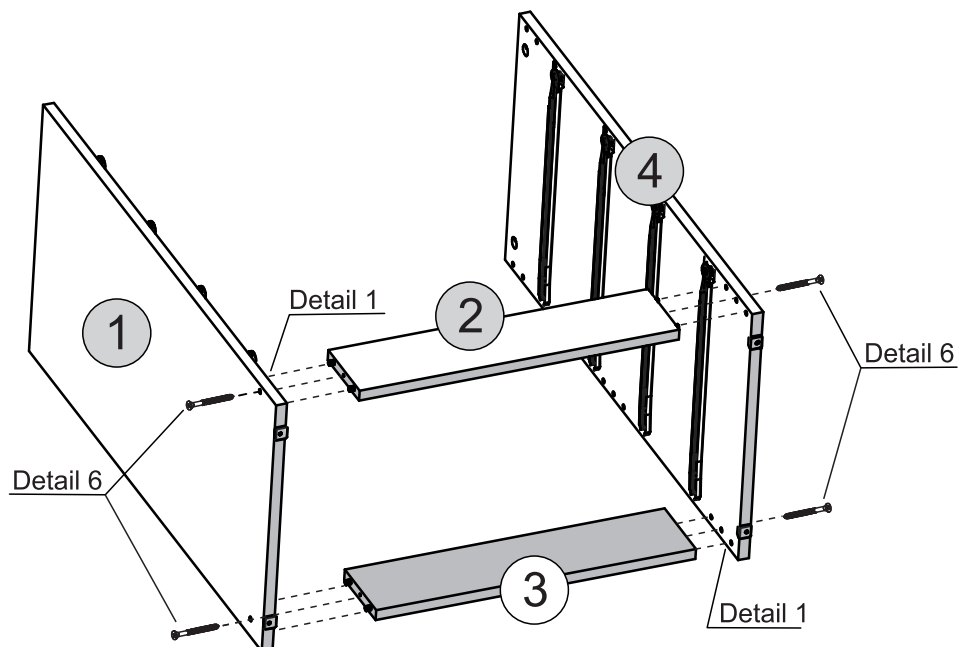
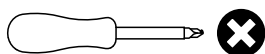
4 - RIGHT CHEST SIDE PANEL x1

## HARDWARE REQUIRED

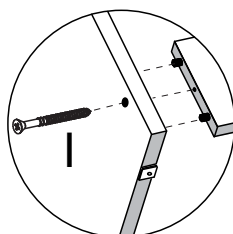
I  04  
Ø4,0x45mm

P  01  
Glue

## TOOLS REQUIRED



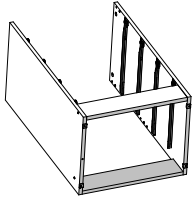
Detail 1



Detail 6



# STEP 7

## PARTS REQUIRED

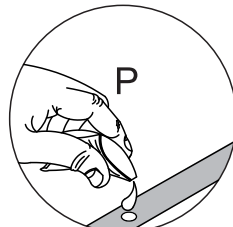
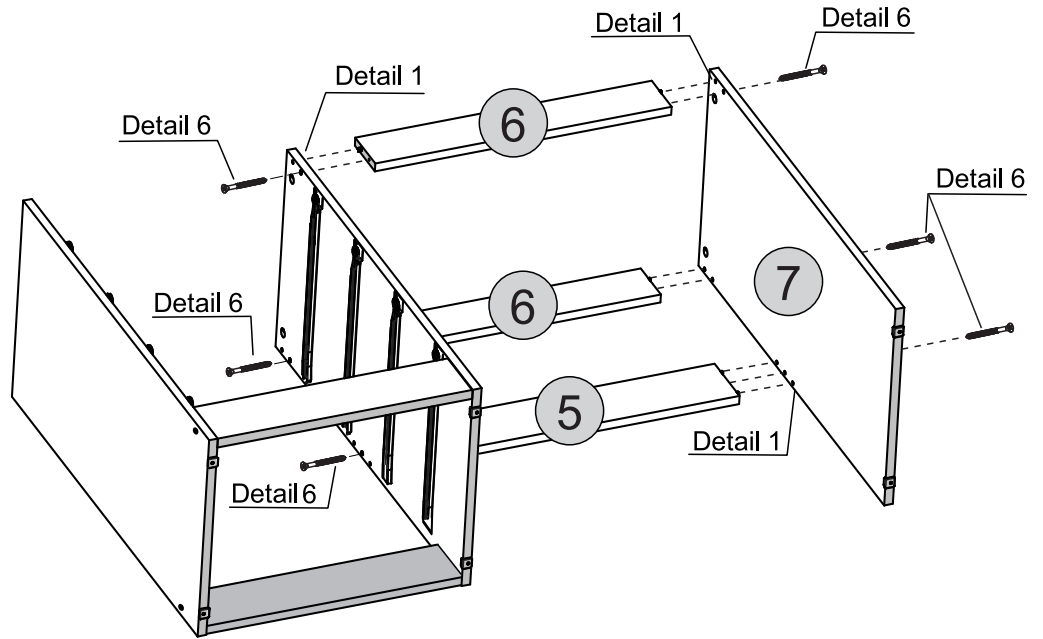
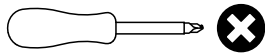


- 5 - BACK CROSSBAR x1
- 6 - UPPER CROSSBAR x2
- 7 - RIGHT TABLE SIDE PANEL x1

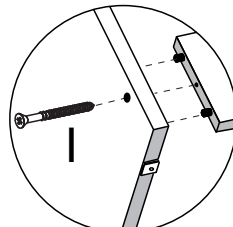
## HARDWARE REQUIRED

- I  06  
Ø 4,0x45mm
- P  01

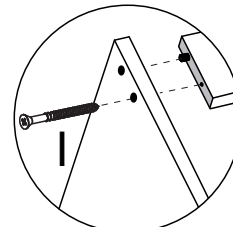
## TOOLS REQUIRED



Detail 1



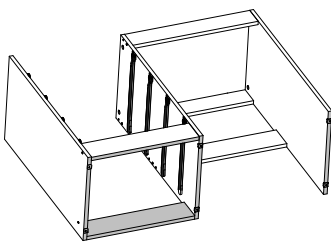
Detail 6



Detail 6



# STEP 8

## PARTS REQUIRED

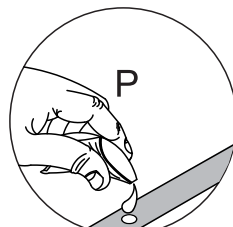
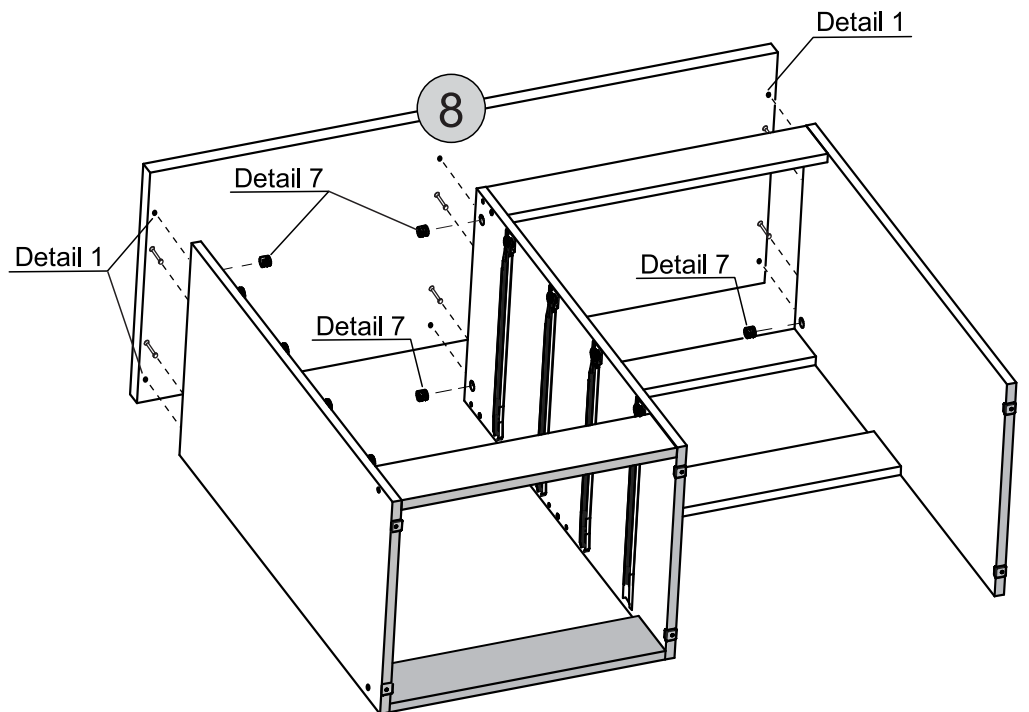
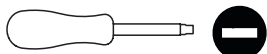


- 8 - TOP PANEL x1

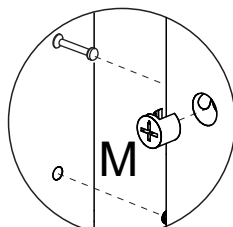
## HARDWARE REQUIRED

- M  06
- P  01

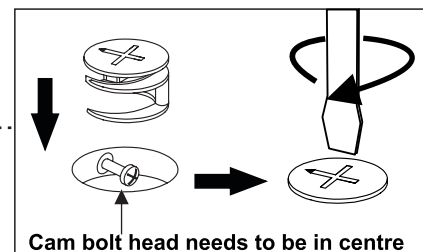
## TOOLS REQUIRED



Detail 1



Detail 7

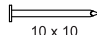


# STEP 9

## PARTS REQUIRED

9 - BACK PANEL x2

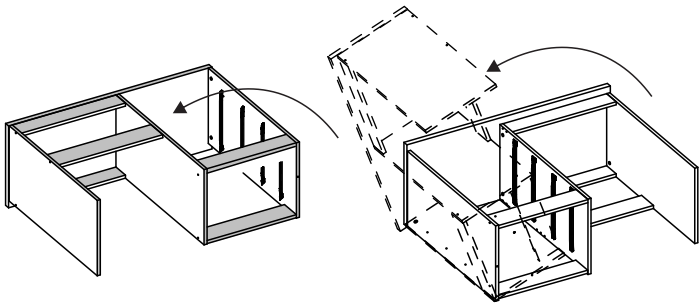
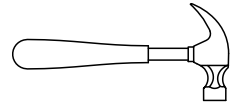
## HARDWARE REQUIRED

H  23

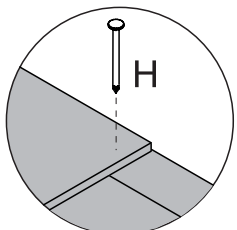
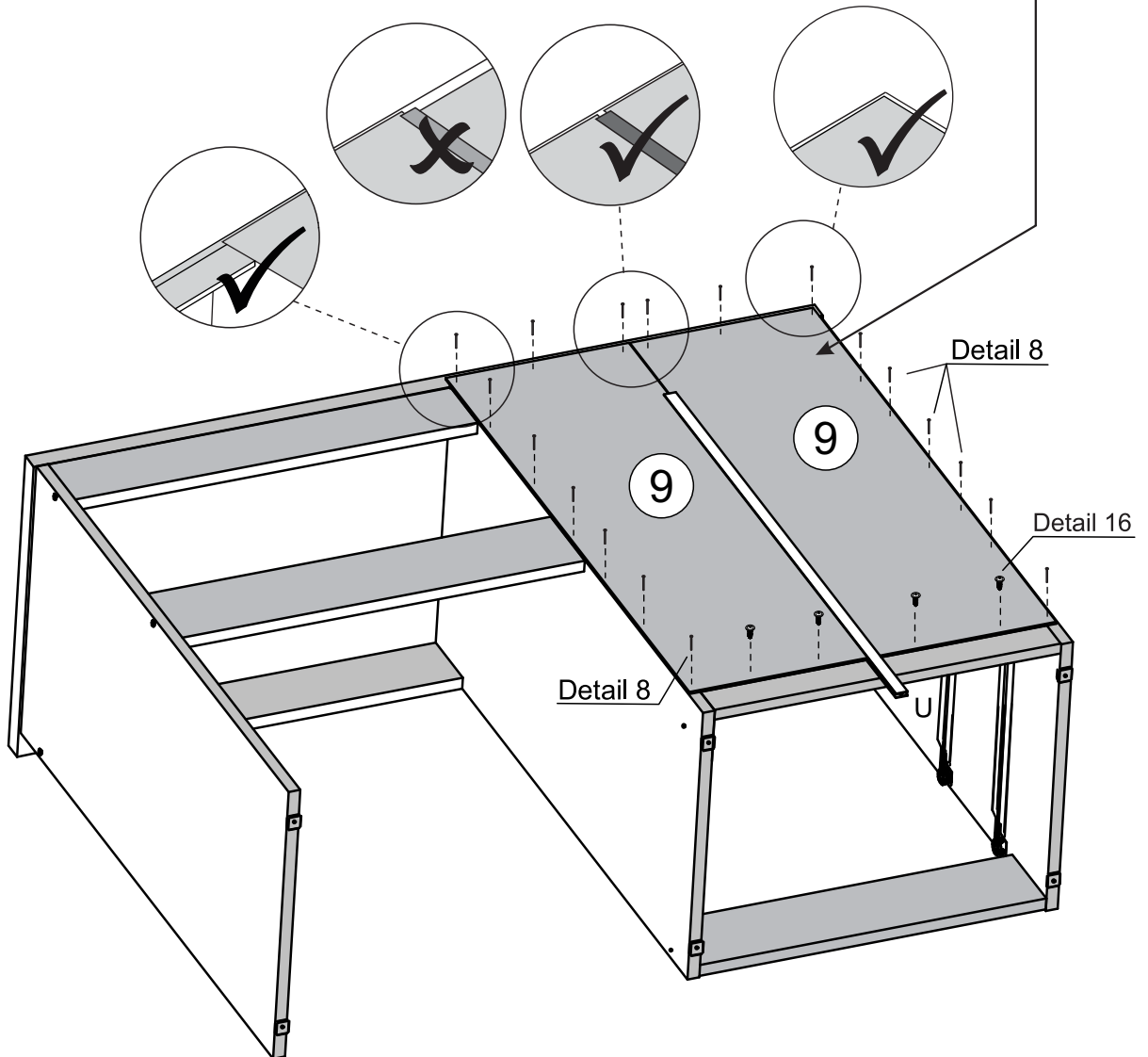
U  01

L  04

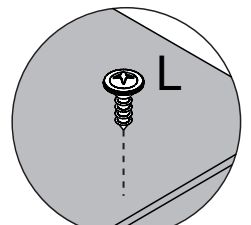
## TOOLS REQUIRED



\* For your future reference  
Order Number should be here



Detail 8



Detail 16


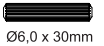
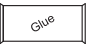


# STEP 10

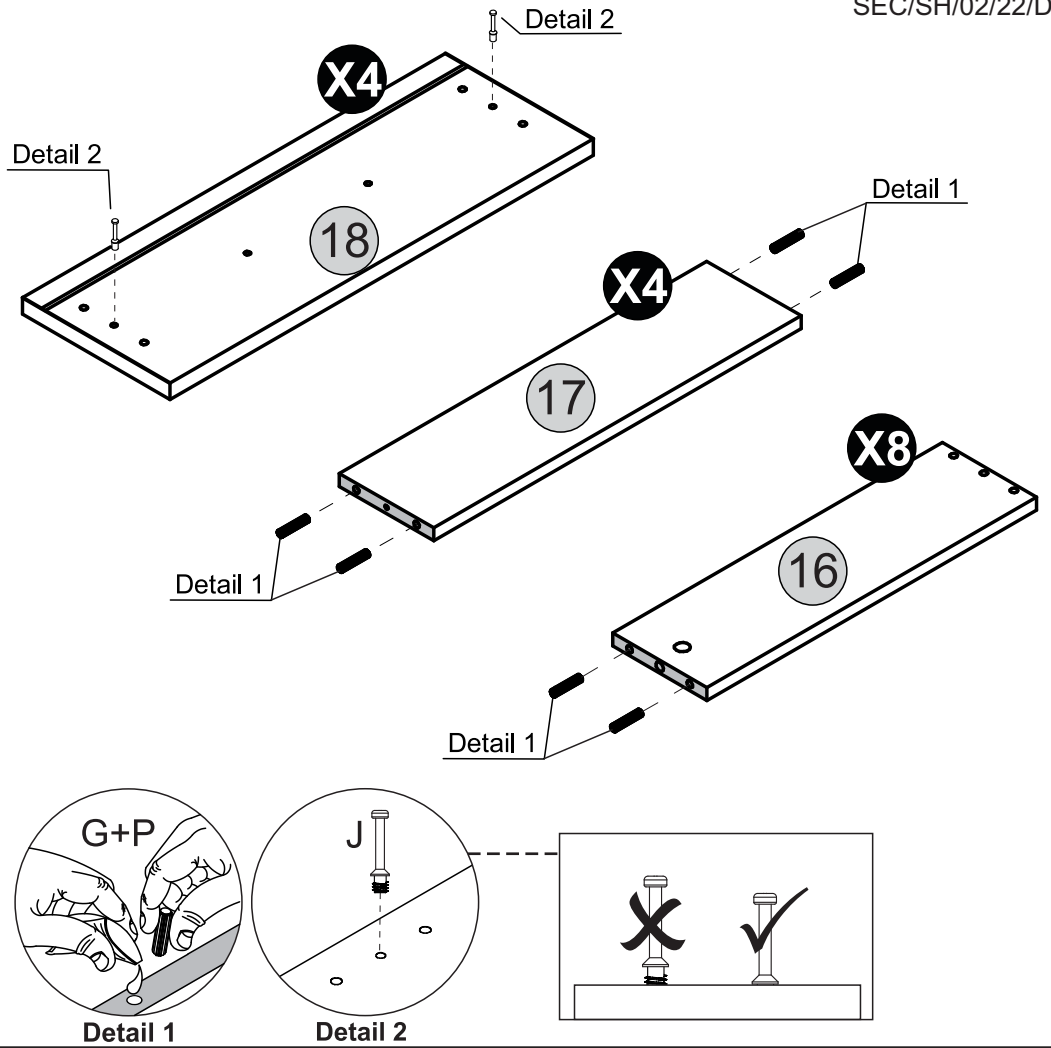
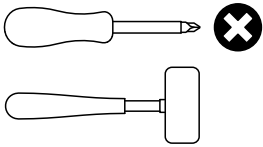
## PARTS REQUIRED

16 - DRAWER SIDE	x8
17 - DRAWER BACK	x4
18 - DRAWER FRONT	x4

## HARDWARE REQUIRED

J		08
G		32
P		01

## TOOLS REQUIRED

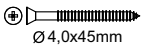
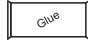


# STEP 11

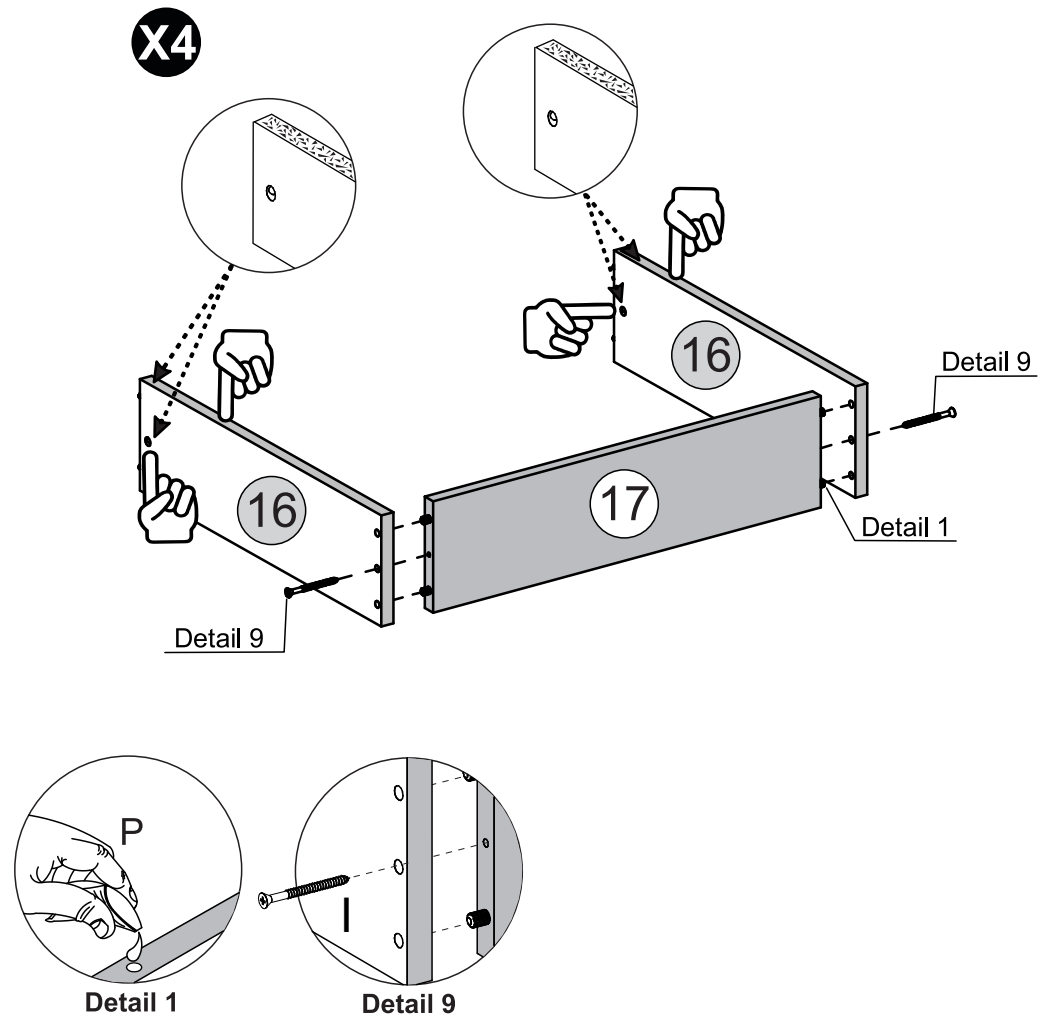
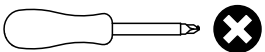
## PARTS REQUIRED

16 - DRAWER SIDE	x8
17 - DRAWER BACK	x4

## HARDWARE REQUIRED

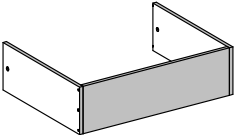
I		08
P		01

## TOOLS REQUIRED



# STEP 12

PARTS REQUIRED



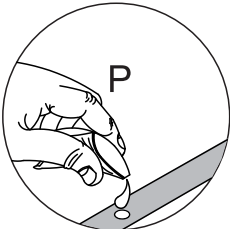
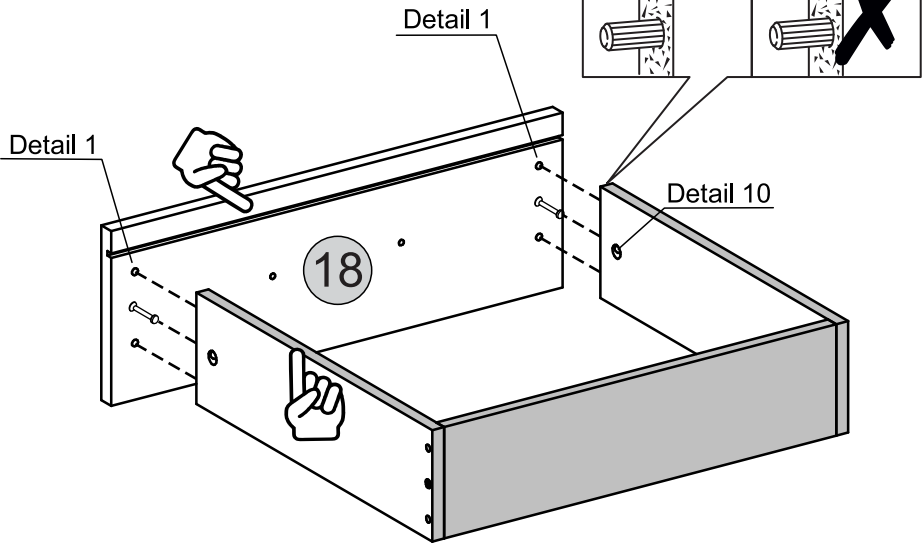
18 - DRAWER FRONT x4

HARDWARE REQUIRED



TOOLS REQUIRED

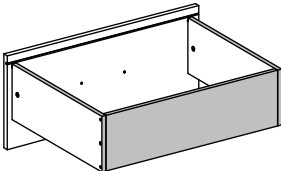
X4



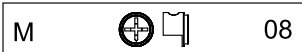
Detail 1

# STEP 13

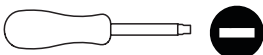
PARTS REQUIRED



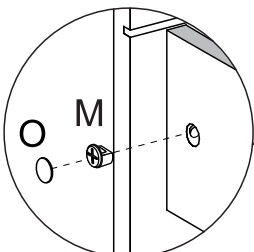
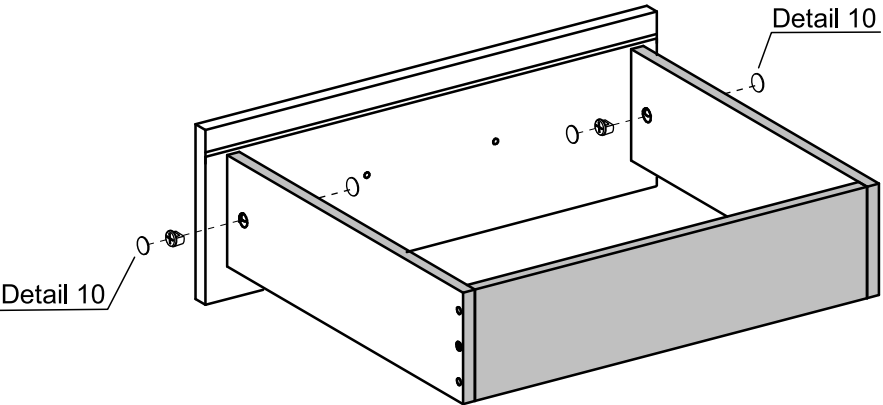
HARDWARE REQUIRED



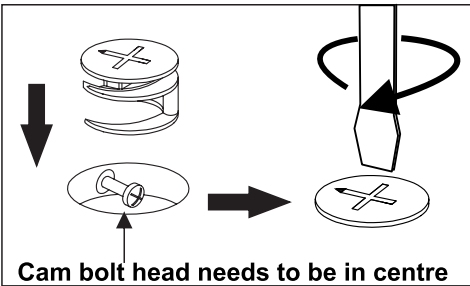
TOOLS REQUIRED



X4

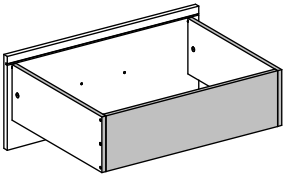


Detail 10



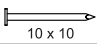
# STEP 14

### PARTS REQUIRED

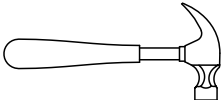


19 - DRAWER BOTTOM x4

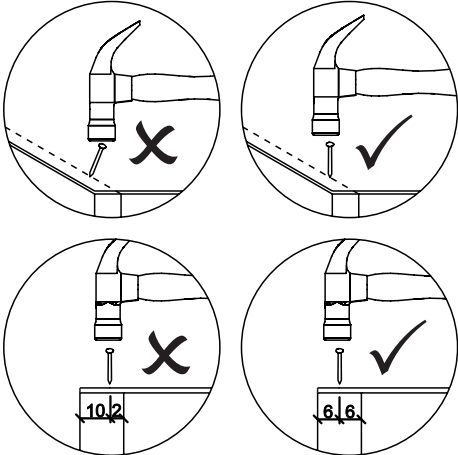
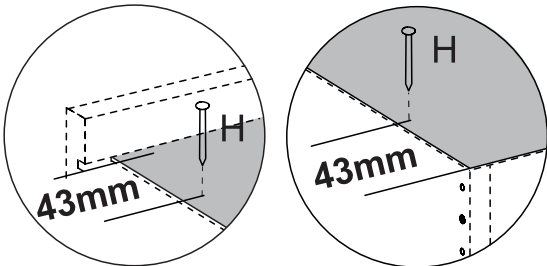
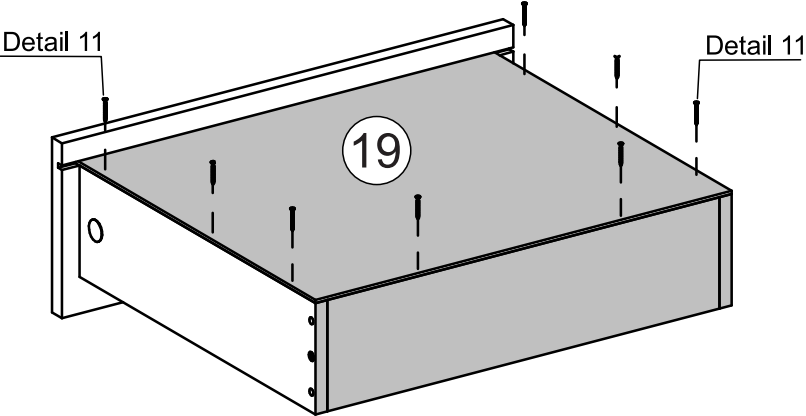
### HARDWARE REQUIRED

H  32  
10 x 10

### TOOLS REQUIRED

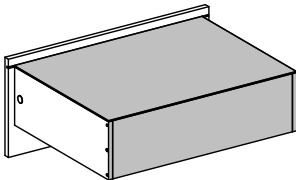


**X4**




# STEP 15

### PARTS REQUIRED



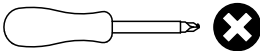
### HARDWARE REQUIRED

A  16  
Ø4,0 x 14mm

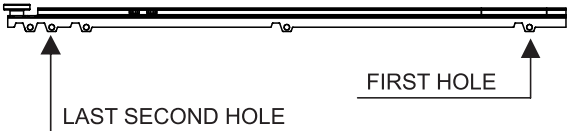
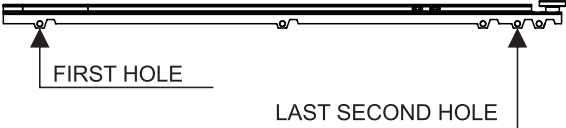
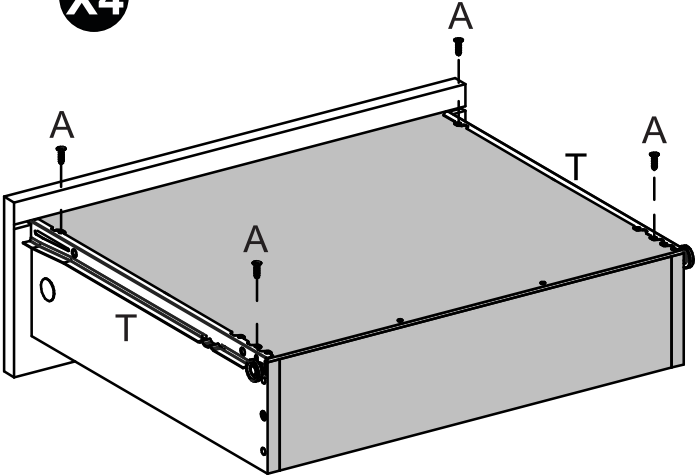
T  04  
LEFT

T  04  
RIGHT

### TOOLS REQUIRED

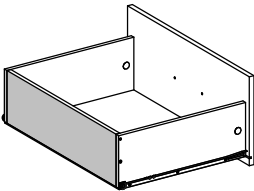


**X4**



# STEP 16

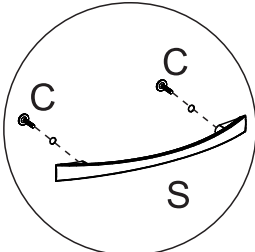
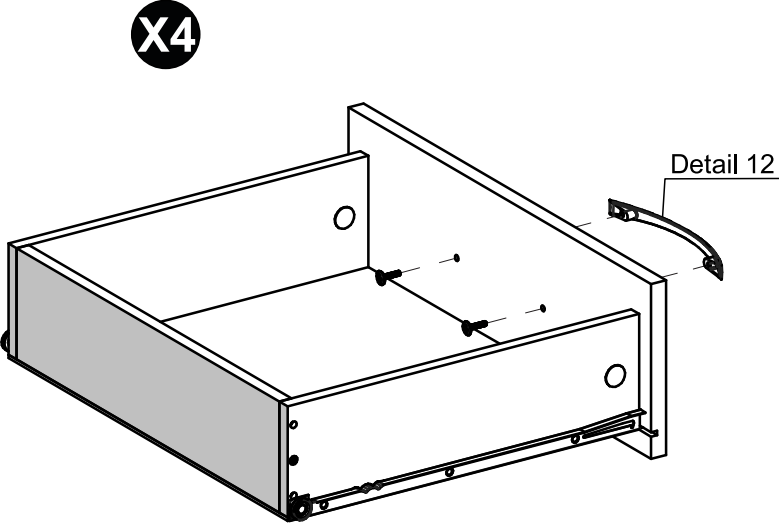
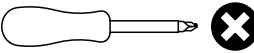
### PARTS REQUIRED



### HARDWARE REQUIRED



### TOOLS REQUIRED



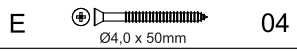
Detail 12

# STEP 17

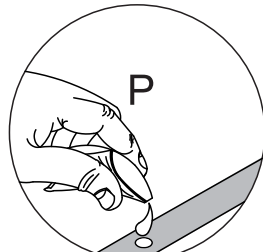
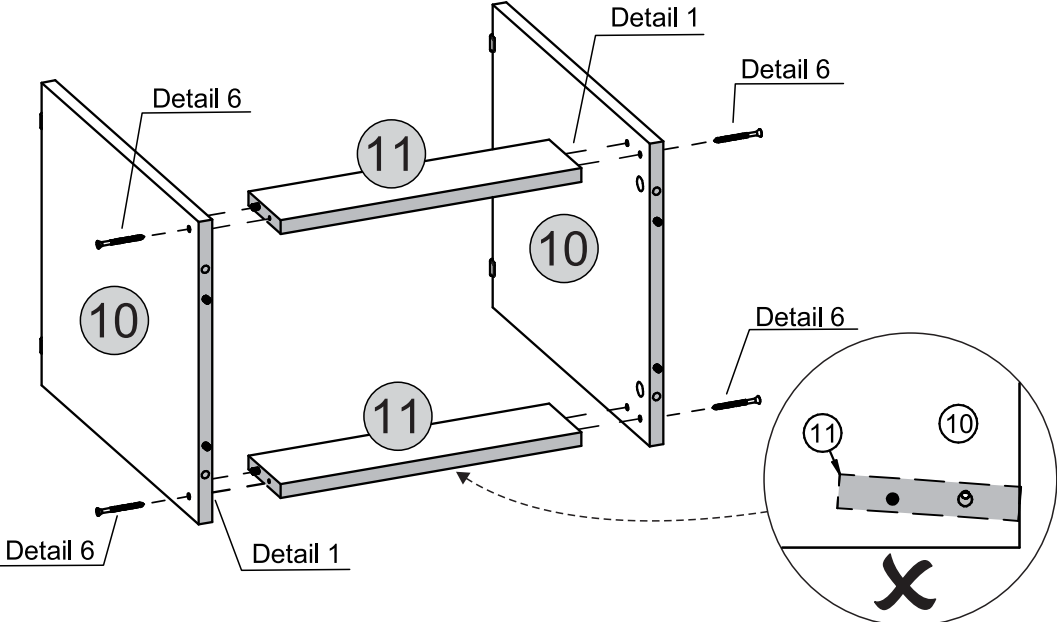
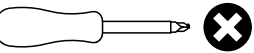
### PARTS REQUIRED



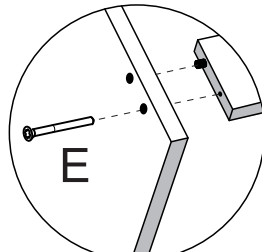
### HARDWARE REQUIRED



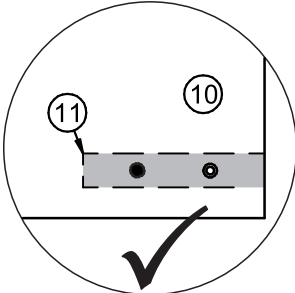
### TOOLS REQUIRED



Detail 1

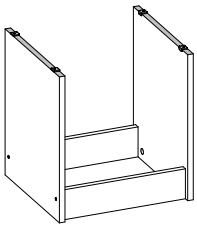


Detail 6



# STEP 18

**PARTS REQUIRED**



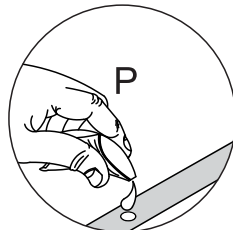
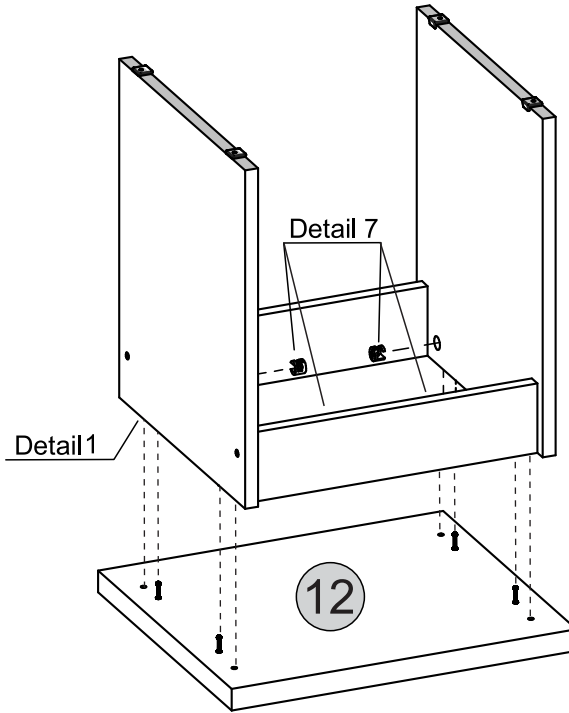
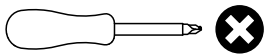
12 - STOOL SEAT x1

**HARDWARE REQUIRED**

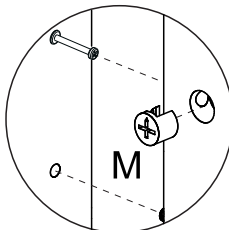
M 04

P 01

**TOOLS REQUIRED**



Detail 1



Detail 7

# STEP 19

**PARTS REQUIRED**

13 - MIRROR BASE PANEL x1

14 - MIRROR SIDE PANEL x2

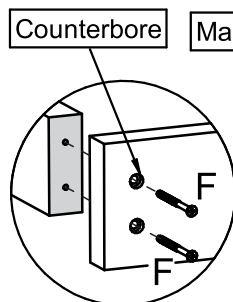
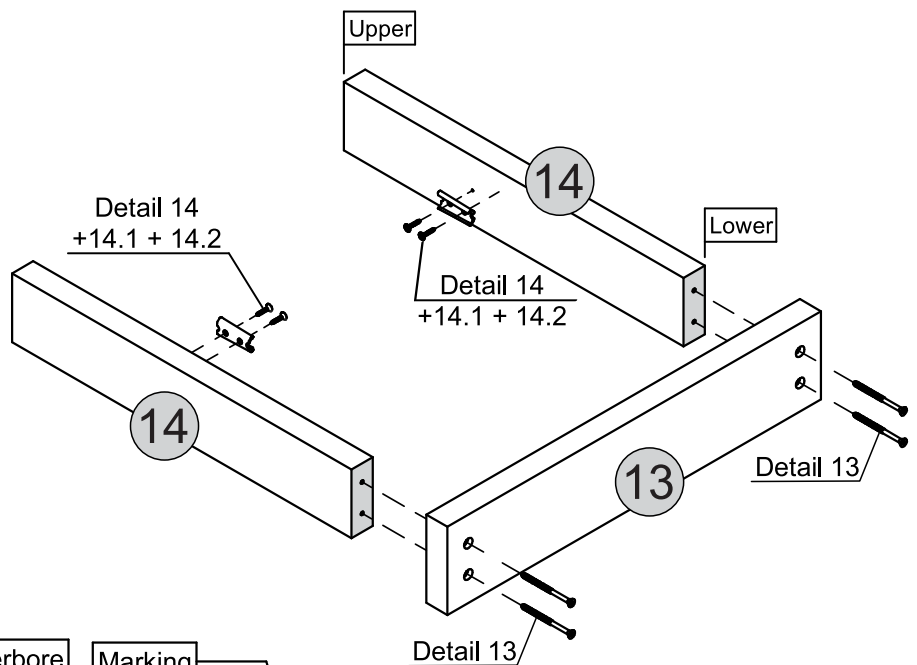
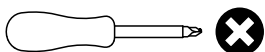
**HARDWARE REQUIRED**

F Ø5,0x60mm 04

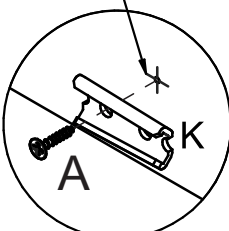
A Ø4,0 x 14mm 04

K 02

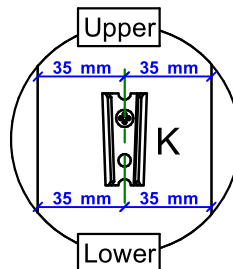
**TOOLS REQUIRED**



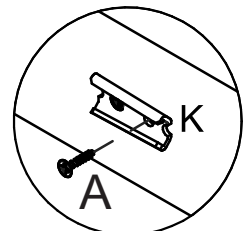
Detail 13



Detail 14



Detail 14.1



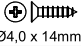
Detail 14.2


# STEP 20

## PARTS REQUIRED

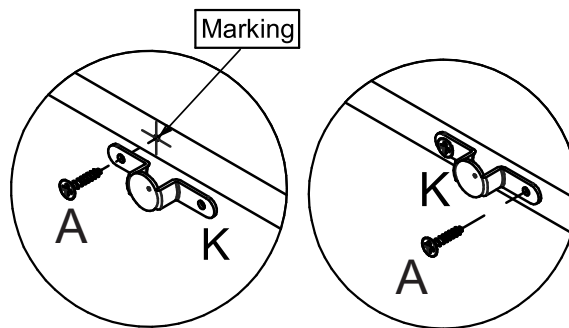
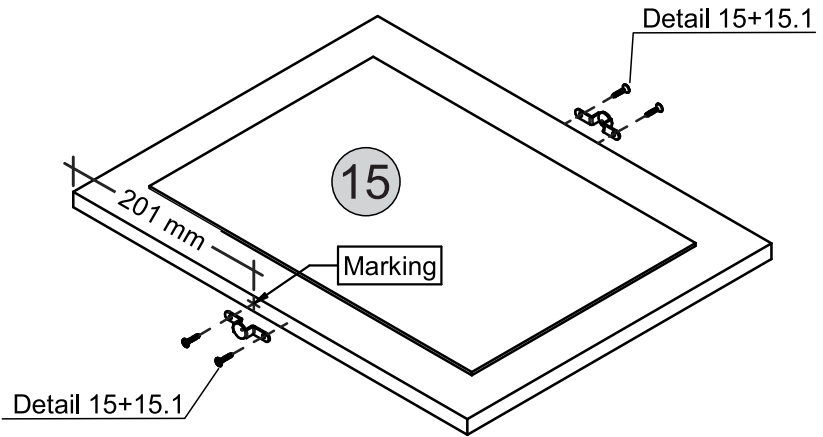
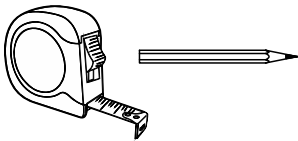
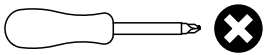
15 - MIRROR PANEL x1

## HARDWARE REQUIRED

A  04  
Ø4,0 x 14mm

K  02

## TOOLS REQUIRED

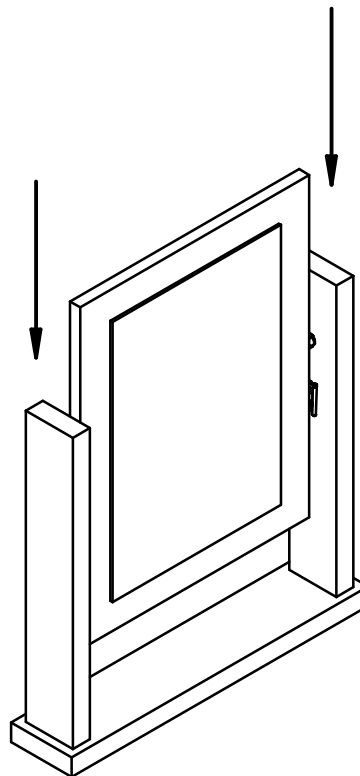
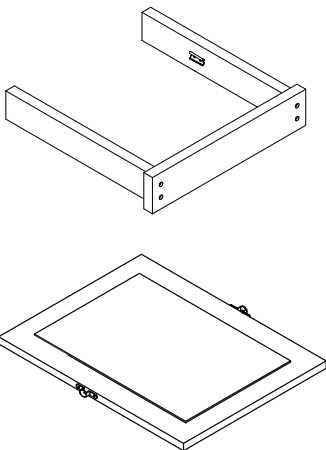


Detail 15

Detail 15.1

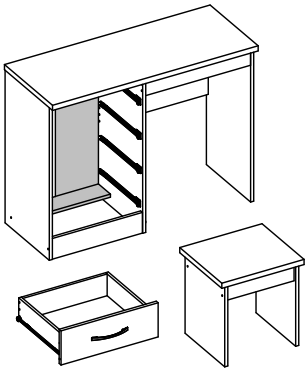
# STEP 21

## PARTS REQUIRED



# STEP 22

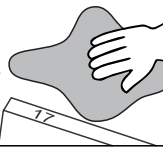
## PARTS REQUIRED



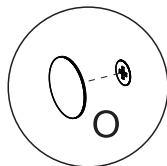
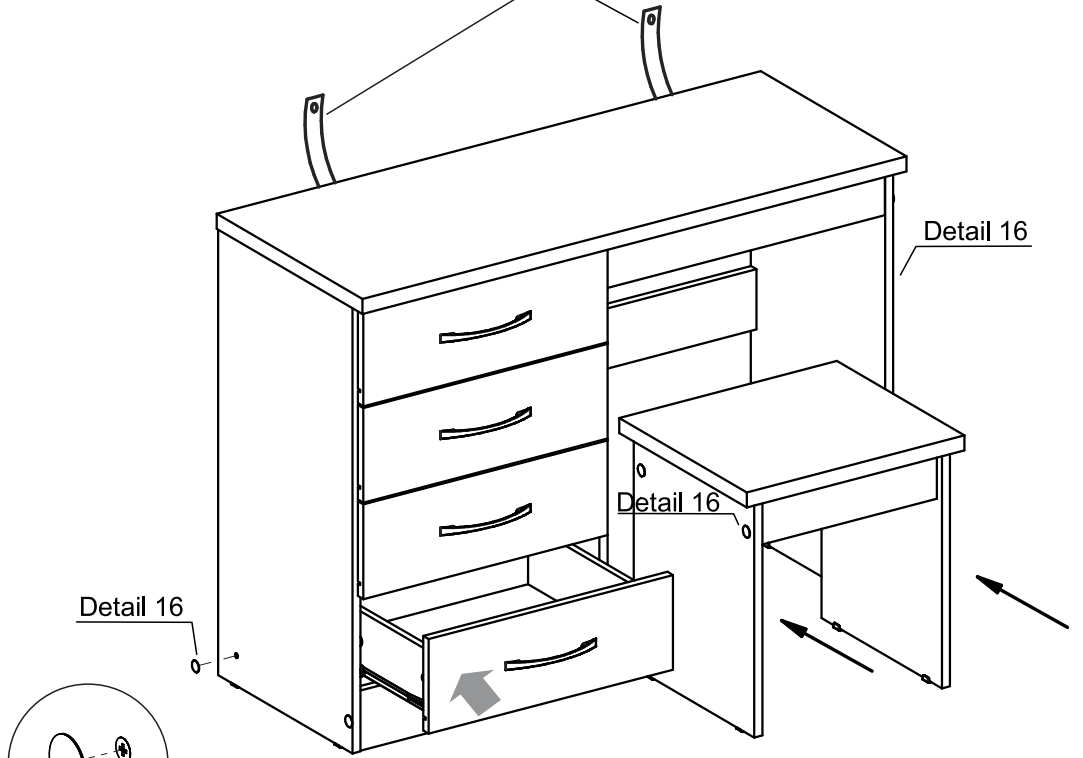
## HARDWARE REQUIRED



**TIP**  
If desired, after assembly use an alcohol cleaner to erase the number printed on the parts.

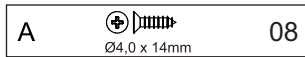
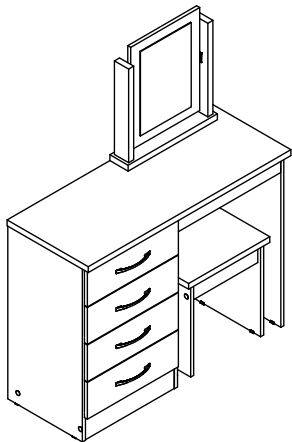


 See the last page

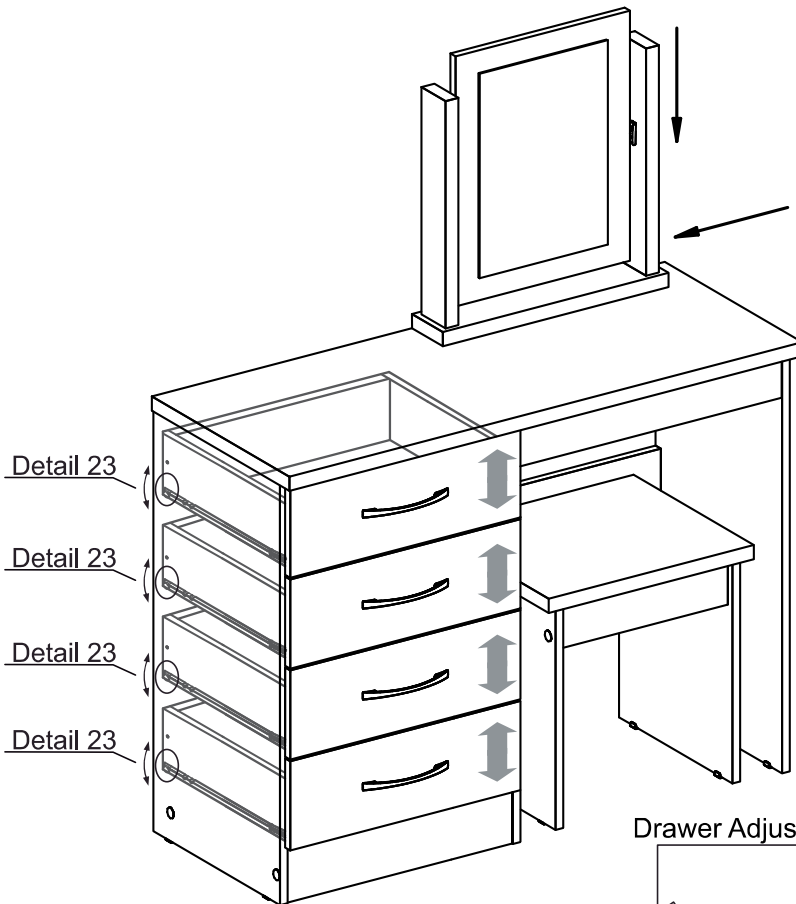


Detail 16

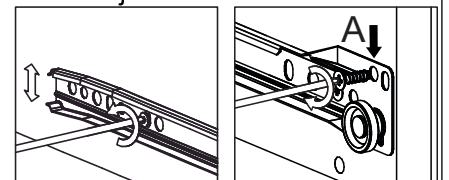
# STEP 23



## TOOLS REQUIRED



Drawer Adjustment    Drawer Lock



Detail 23

## WARNING

**Serious or fatal injuries can occur from furniture tipping over. To prevent the furniture from tipping over we recommend that it is permanently fixed to the wall.**

Wall fixings are not supplied with this product as different wall materials require different types of fixing devices.

Please make sure you use fixings suitable for the walls in your home.

