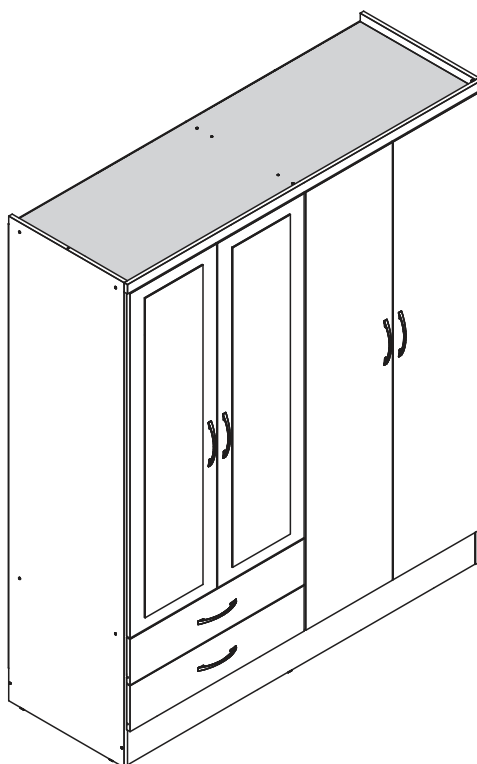


BLACK WOOD GRAIN NEVADA 4 DOOR 2 DRAWER WARDROBE ASSEMBLY INSTRUCTIONS



IMPORTANT FOR DOMESTIC USE ONLY

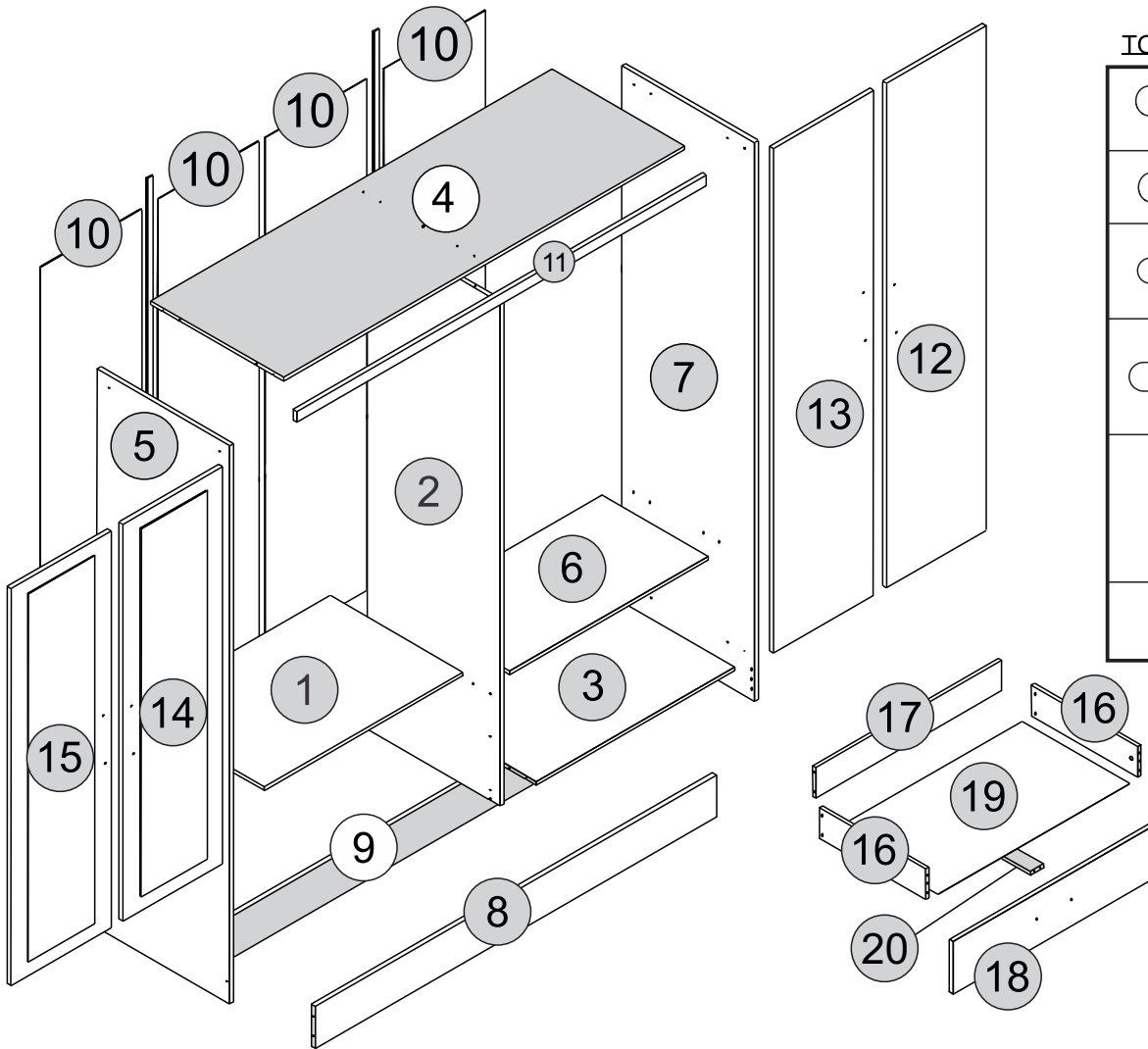
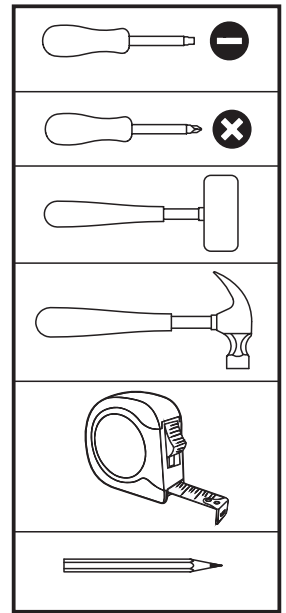
PLEASE READ BEFORE YOU CONTINUE FURTHER

CARE AND MAINTENANCE

After unpacking this product please keep the original packaging in case it needs to be returned for any reason.

- Please ensure all fittings and parts are present before commencing with assembly.
- Never drag or push products as this could cause damage to the joints making it inferior.
- We strongly recommend that you keep children away from your work area.
- We recommend that you lay a blanket or sheet on the floor to avoid damage to both your floor and the product.
- Assemble this product as close to its final position as possible.
- Do not place this product next to a radiator or in direct sunlight.
- Do not drag or push items across your high gloss furniture as this may cause the surface to scratch
- Wood is a natural product and may expand if subjected to damp and may shrink or crack if subjected to heat. Therefore it is recommended that room temperature is maintained, with no sudden temperature fluctuations.
- Make sure any spillage is wiped off immediately.
- Do not place hot or chilled items directly on to the surface, use a place mat or marking will occur.
- For general cleaning use a soft cotton or micro fibre cloth, and do not use detergents of any kind.
- From time to time it may be necessary to tighten fittings, regular inspections should be carried out.
- Do not place on a wet or damp floor as staining may occur to your floor.


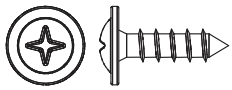
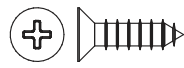
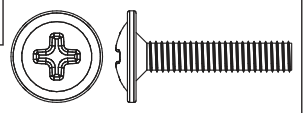


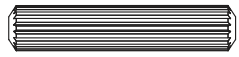
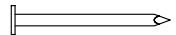
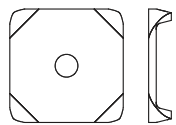
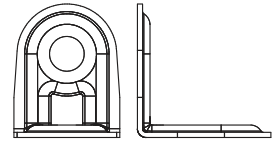
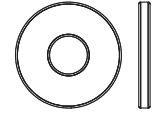
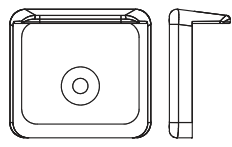
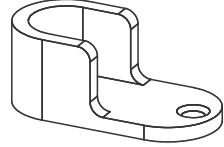

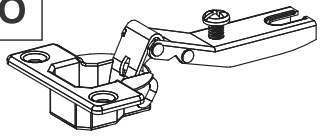
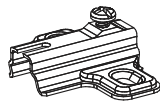
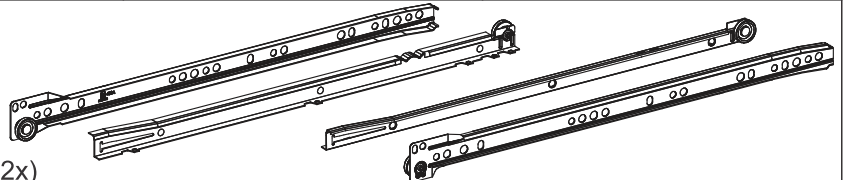
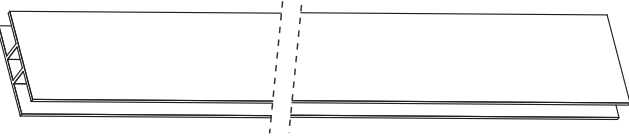




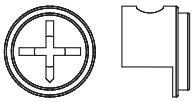
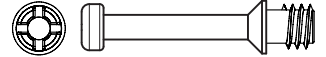
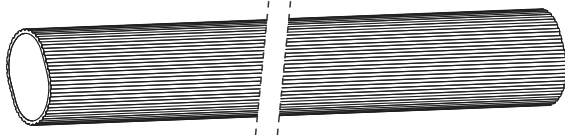
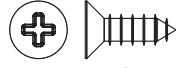
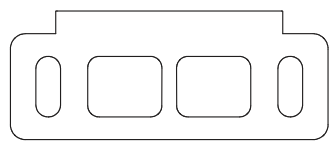
TOOLS REQUIRED



Please Note:
The below parts have all been stamped with the part number to help identify them during assembly.


Part Number	Part Code	Part Description	Quantity	Carton
1	S100-101-130-DM1-01	Drawer Top	1	1/3
2	S100-101-130-DM1-02	Division Panel	1	2/3
3	S100-101-130-DM1-03	Base Panel	1	1/3
4	S100-101-130-DM1-04	Top Panel	1	2/3
5	S100-101-130-DM1-05	Left Side Panel	1	1/3
6	S100-101-130-DM1-06	Shelf	1	1/3
7	S100-101-130-DM1-07	Right Side Panel	1	1/3
8	S100-101-130-DM1-08	Front Baseboard	1	2/3
9	S100-101-130-DM1-09	Back Baseboard	1	2/3
10	S100-101-130-DM1-10	Back Panel	4	2/3
11	S100-101-130-DM1-11	Frame	1	2/3
12	S100-101-130-DM1-12	Right Large Door	1	3/3
13	S100-101-130-DM1-13	Left Large Door	1	3/3
14	S100-101-130-DM1-14	Right Small Door	1	3/3
15	S100-101-130-DM1-15	Left Small Door	1	3/3
16	S100-101-130-DM1-16	Drawer Side	4	1/3
17	S100-101-130-DM1-17	Drawer Back Panel	2	1/3
18	S100-101-130-DM1-18	Drawer Front	2	2/3
19	S100-101-130-DM1-19	Drawer Bottom	2	2/3
20	S100-101-130-DM1-20	Drawer Bottom Support Bar	2	2/3

FITTINGS LIST


<p>A</p>  <p>Flat Head Screw Ø6,0 x 8mm (8x)</p> <p>+1+</p>	<p>B</p>  <p>Flan Head Screw Ø3,5 x 12mm (20x)</p> <p>+1/2</p>	<p>C</p>  <p>Flat Head Screw Ø4,0 x 14mm (68x)</p> <p>+1/2</p>	<p>D</p>  <p>Flan Head Screw Ø4,0 x 20mm (12x)</p> <p>+1/2</p>
<p>E</p>  <p>Flat Head Screw Ø3,5 x 25mm (2x)</p> <p>+1/1</p>	<p>F</p>  <p>Flat Head Screw Ø4,0 x 45mm (28x)</p> <p>+1/2</p>	<p>G</p>  <p>+1/2 Dowel Ø6,0 x 30mm (46x)</p>	
<p>H</p>  <p>Nail 10 x 10 (100X)</p> <p>+5</p>	<p>I</p>  <p>Back Panel Bracket (14x)</p> <p>+1/2</p>	<p>J</p>  <p>'L' Metallic Support (6x)</p> <p>+1</p>	<p>K</p>  <p>Washer (4x)</p> <p>+1</p>
<p>L</p>  <p>Plastic Foot (6x)</p> <p>+1</p>	<p>M</p>  <p>Hanging Rail Support (4x)</p>	<p>N</p>  <p>Flan Head Screw Ø3,5 x 30mm (2x)</p> <p>+1</p>	<p>O</p>  <p>Hinge (12x)</p>
<p>P</p>  <p>Hinge Plate (12x)</p>	<p>Q</p>  <p>Drawer Runners (2x)</p>		
<p>R</p>  <p>Back Panel Strip (2x)</p>	<p>S</p>  <p>Strap (2x)</p>	<p>T</p>  <p>Handle (6x)</p>	
<p>U</p>  <p>Hole Plugs (28x)</p> <p>+1/2</p>	<p>V</p>  <p>Glue (2x)</p>	<p>W</p>  <p>Cam Nut (4x)</p> <p>+1</p>	<p>X</p>  <p>Cam Bolt (4x)</p> <p>+1</p>
<p>Y</p>  <p>Hanging Rail (2x)</p>	<p>Z</p>  <p>Flat Head Screw Ø4,0 x 12mm (12x)</p> <p>+1/2</p>	<p>A1</p>  <p>Door Support (4x)</p>	

TIPS FOR FITTINGS CAM-LOCKS

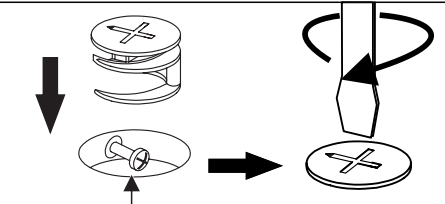
WHEN FITTING CAM NUT, ENSURE STARTING POSITION IS CORRECT BEFORE YOU INSERT CONNECTING CAM BOLT TURN CLOCKWISE UNTIL SECURE



↑
CORRECT



↓
WRONG



↓

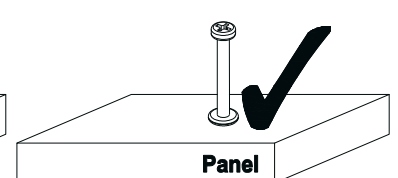
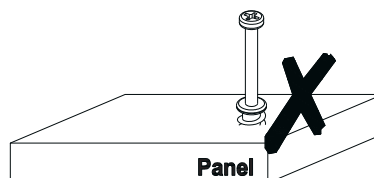
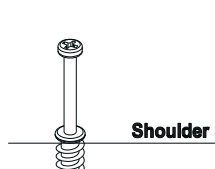
↑

→

Cam bolt head needs to be in centre

CAMBOLT

Tighten until shoulder in flush with panel. Do not overtighten or undertighten (see example beside)

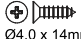


STEP 1

PARTS REQUIRED

5 - LEFT SIDE PANEL x1

HARDWARE REQUIRED

C  08
Ø4,0 x 14mm

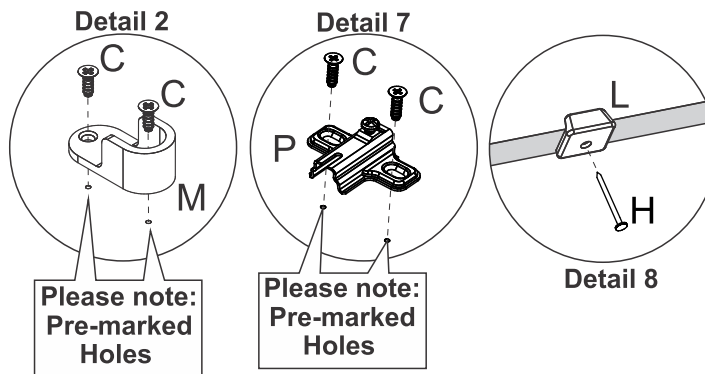
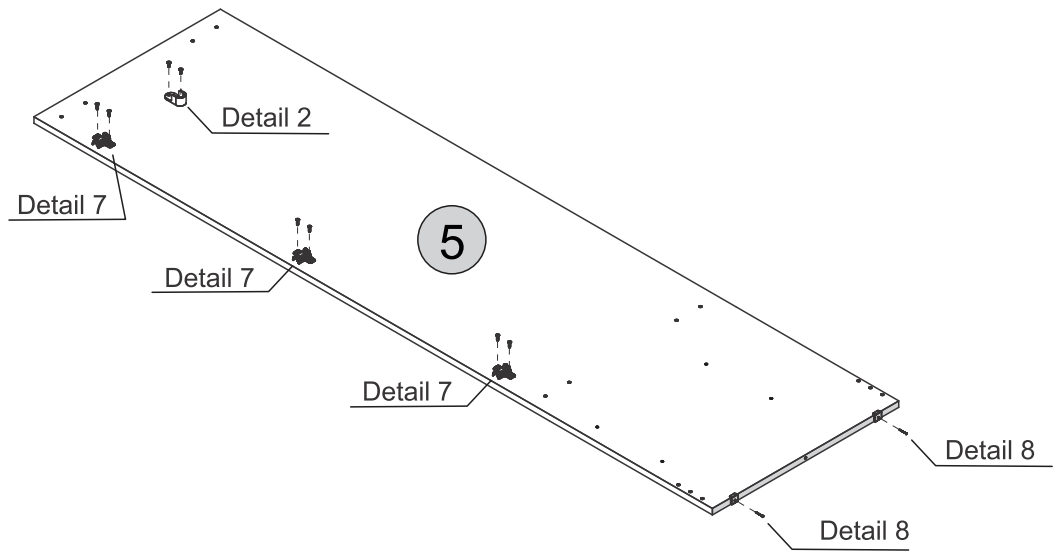
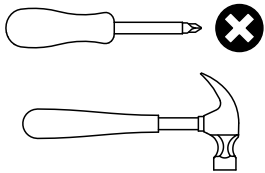
H  02

L  02

M  01

P  03

TOOLS REQUIRED



Please note:
Pre-marked
Holes

Please note:
Pre-marked
Holes

Detail 8


STEP 2

PARTS REQUIRED

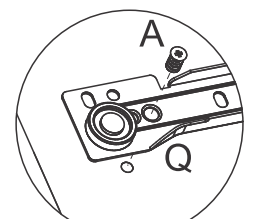
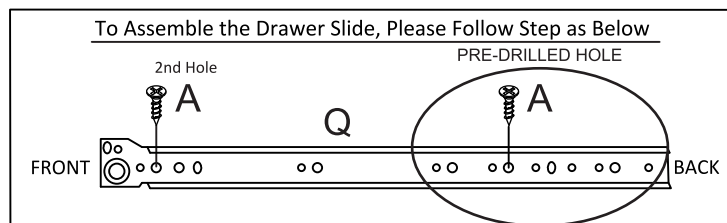
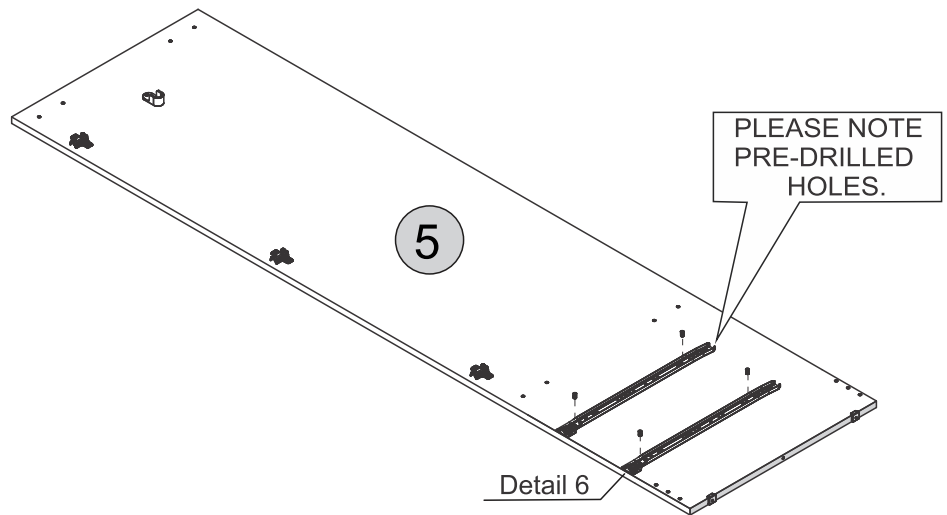
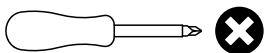
5 - LEFT SIDE PANEL x1

HARDWARE REQUIRED

A  04
Ø6,0 x 8mm

Q  02

TOOLS REQUIRED




Detail 6


STEP 3

PARTS REQUIRED

2 - DIVISION PANEL x1


HARDWARE REQUIRED

C  08
Ø4,0 x 14mm

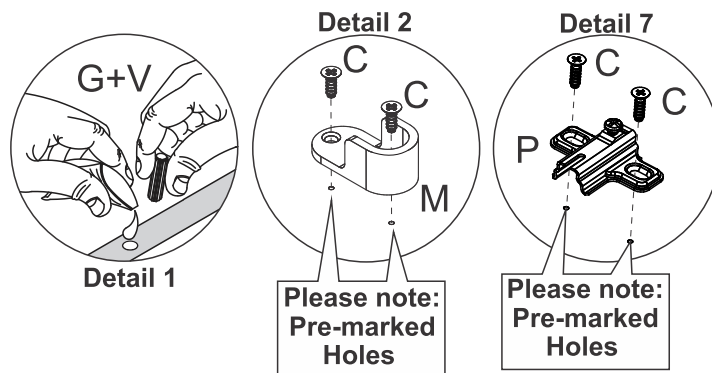
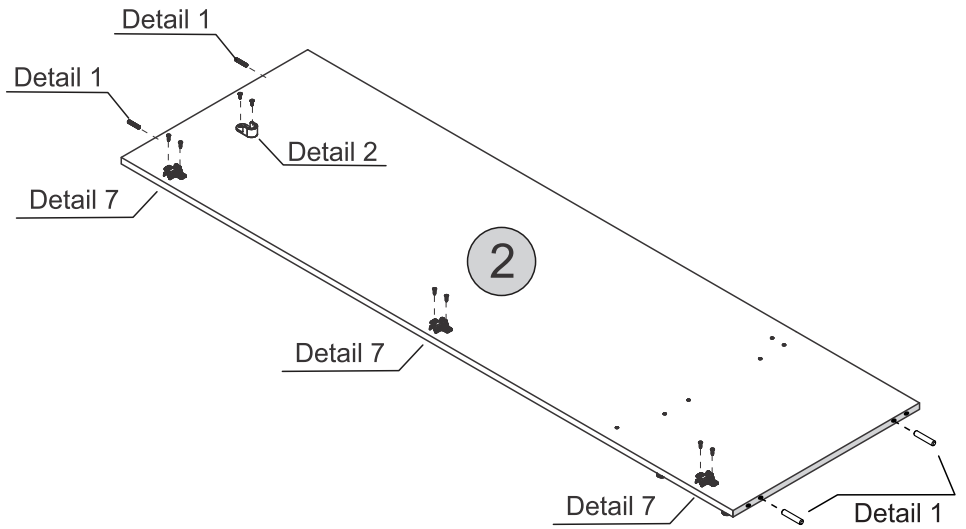
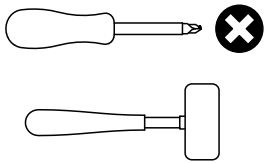
G  04
Ø6,0 x 30mm

M  01

P  03

V  01
Glue

TOOLS REQUIRED




STEP 4

PARTS REQUIRED

2 - DIVISION PANEL x1

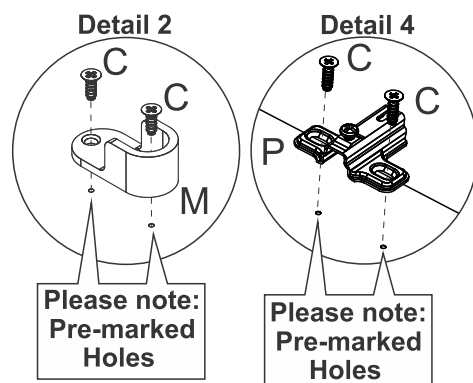
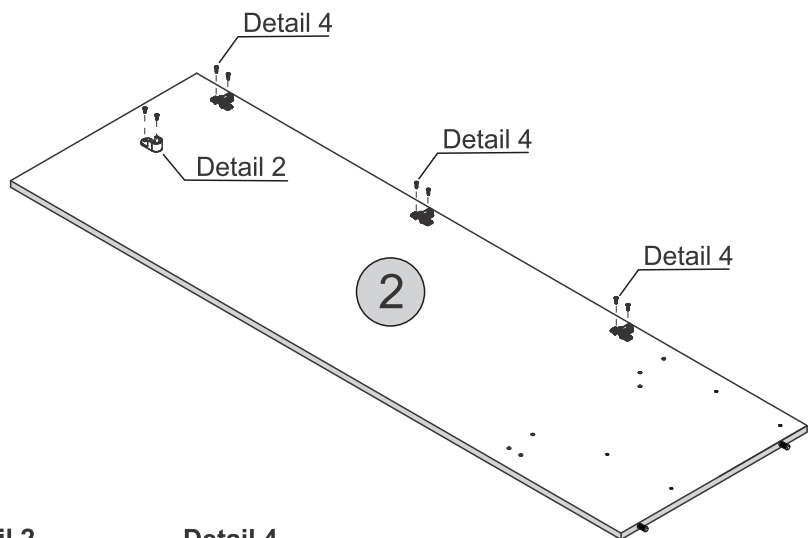
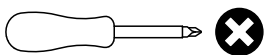
HARDWARE REQUIRED

C  08
Ø4,0 x 14mm

M  01

P  03

TOOLS REQUIRED




STEP 5

PARTS REQUIRED

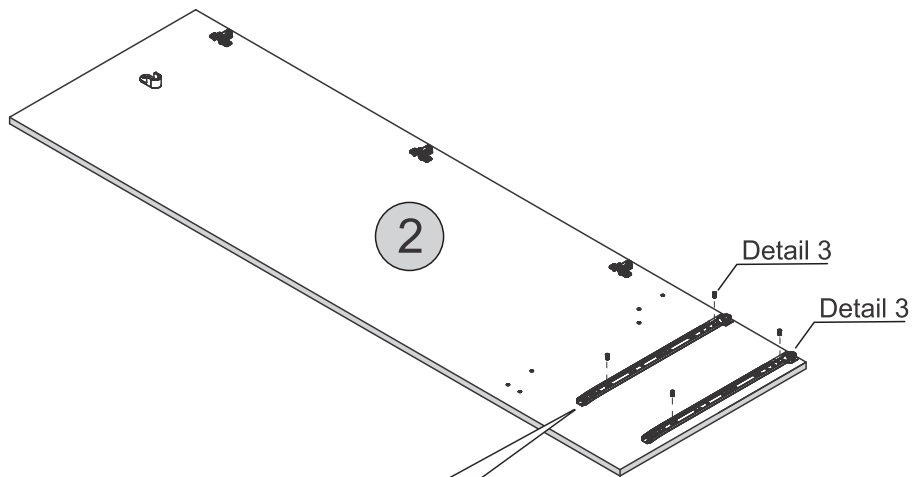
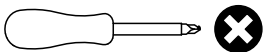
2 - DIVISION PANEL x1

HARDWARE REQUIRED

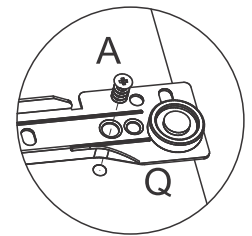
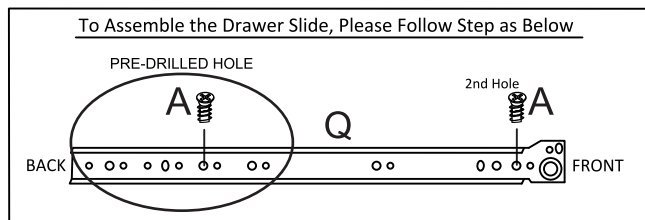
A  04
Ø6,0 x 8mm

Q  02
Right

TOOLS REQUIRED



PLEASE NOTE
PRE-DRILLED
HOLES.




Detail 3

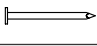
STEP 6

PARTS REQUIRED


7 - RIGHT SIDE PANEL x1


HARDWARE REQUIRED

C  08
Ø4,0 x 14mm

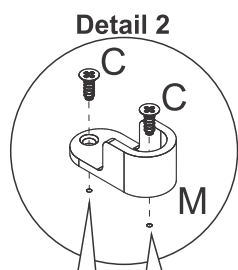
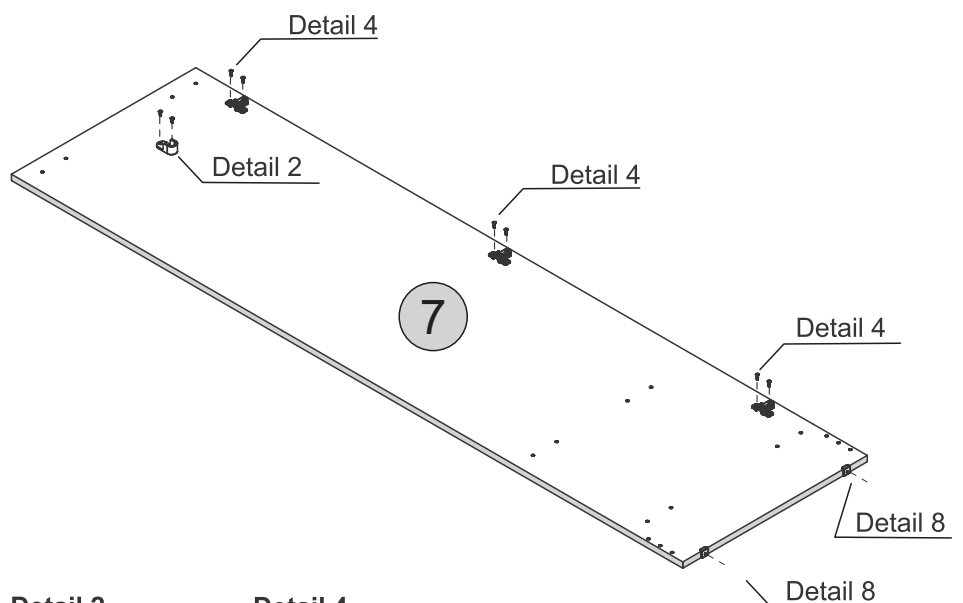
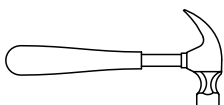
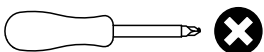
H  02

L  02

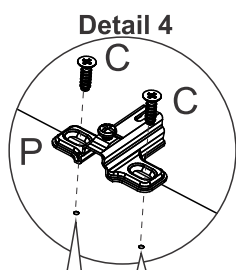
M  01

P  03

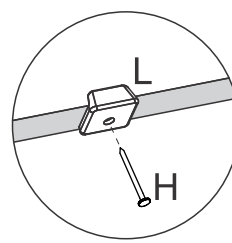
TOOLS REQUIRED



Please note:
Pre-marked
Holes



Please note:
Pre-marked
Holes



Detail 8

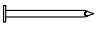
STEP 7

PARTS REQUIRED


8 - FRONT BASEBOARD x1

9 - BACK BASEBOARD x1

HARDWARE REQUIRED

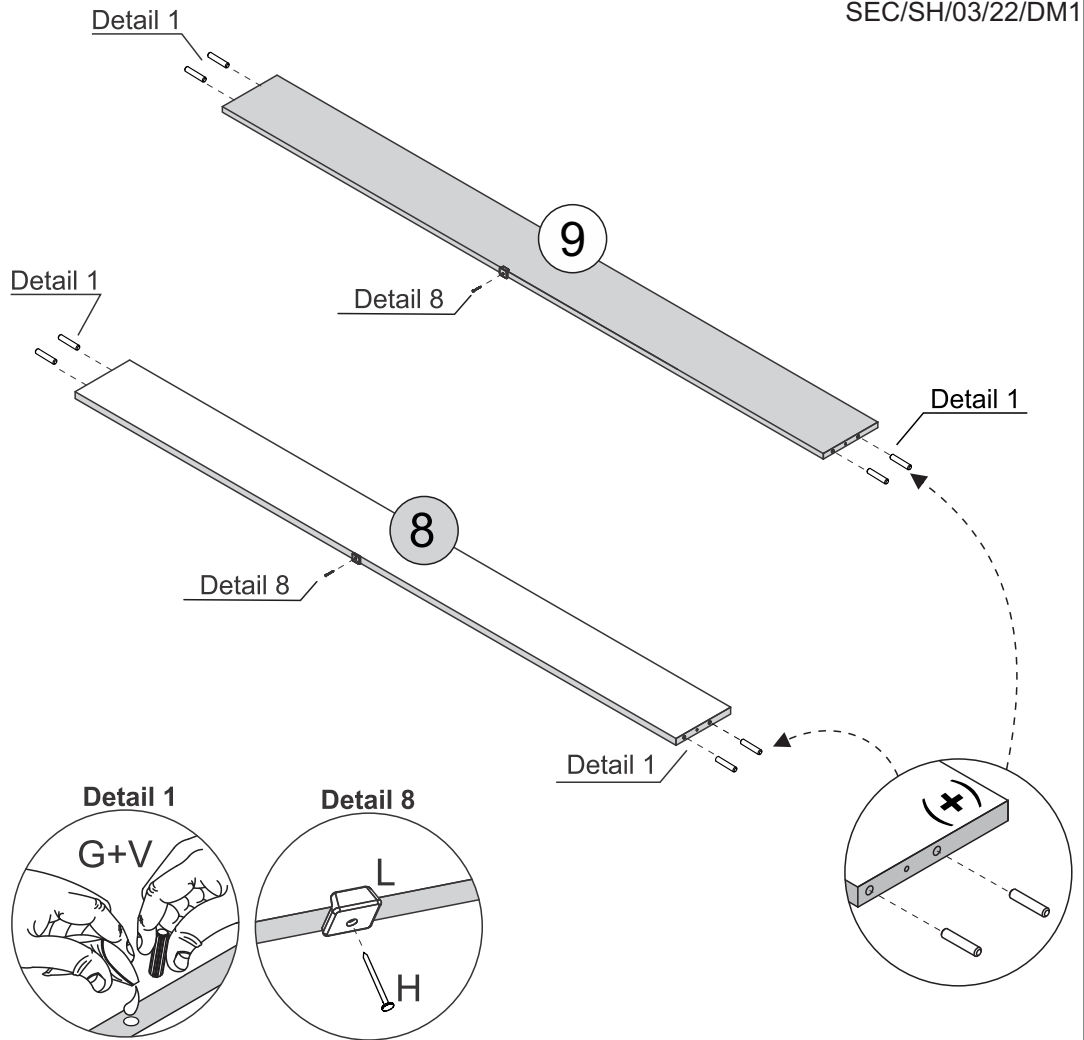
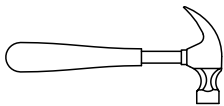
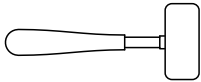
H  02

L  02

G  Ø6,0 x 30mm 08

V  01

TOOLS REQUIRED



STEP 8

PARTS REQUIRED

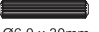
1 - DRAWER TOP x1

3 - BASE PANEL x1

6 - SHELF x1

HARDWARE REQUIRED

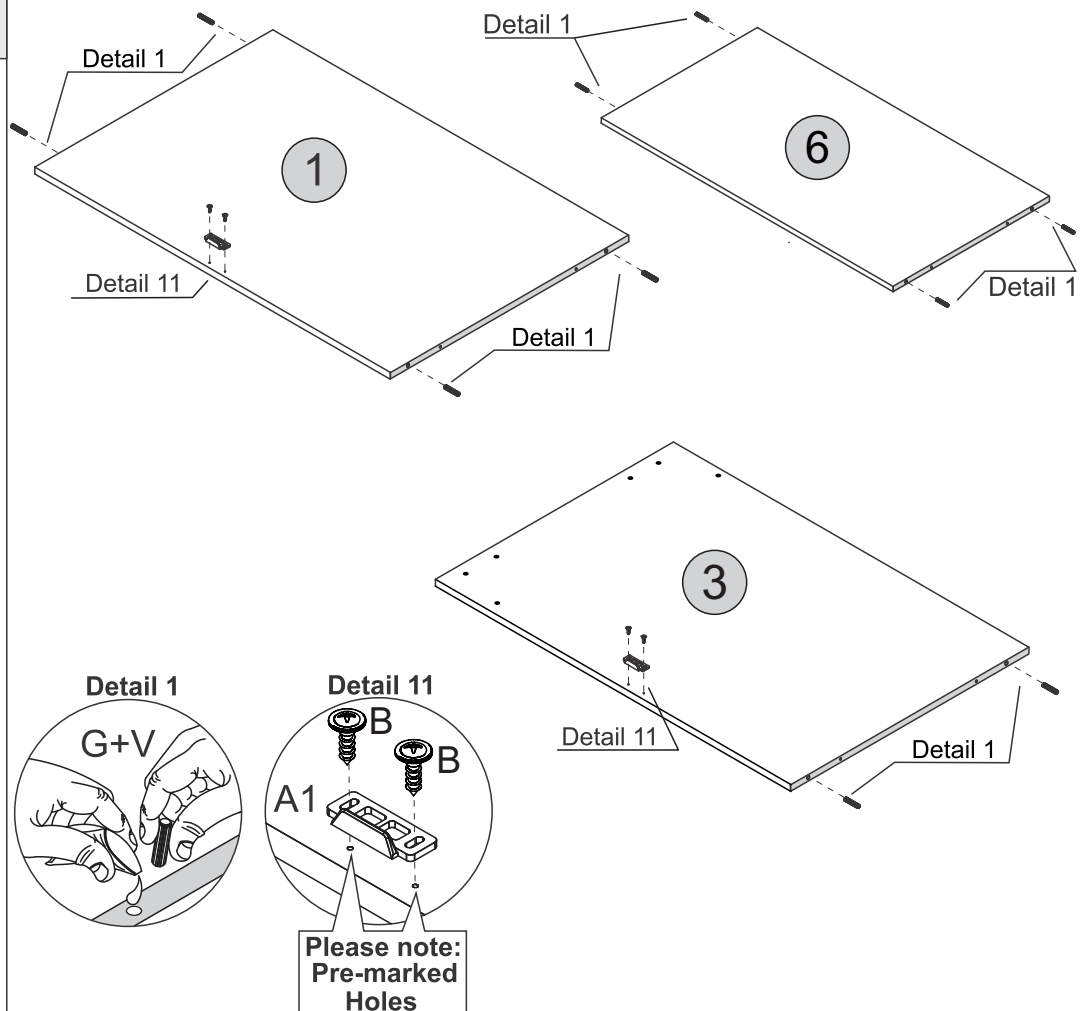
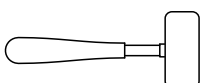
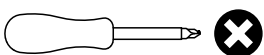
B  Ø3,5 x 12mm 04

G  Ø6,0 x 30mm 10

V  01

A1  02

TOOLS REQUIRED



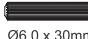
STEP 9

PARTS REQUIRED

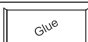
4 - TOP PANEL x1

HARDWARE REQUIRED

B  04
Ø3,5 x 12mm

G  04
Ø6,0 x 30mm

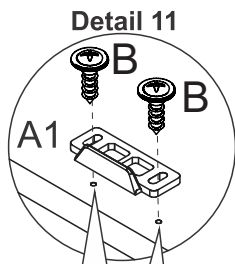
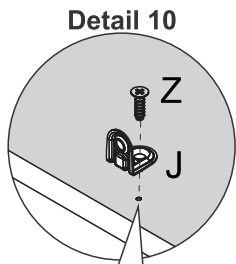
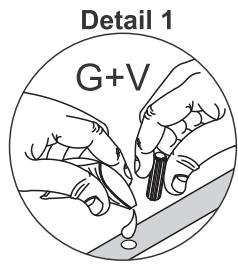
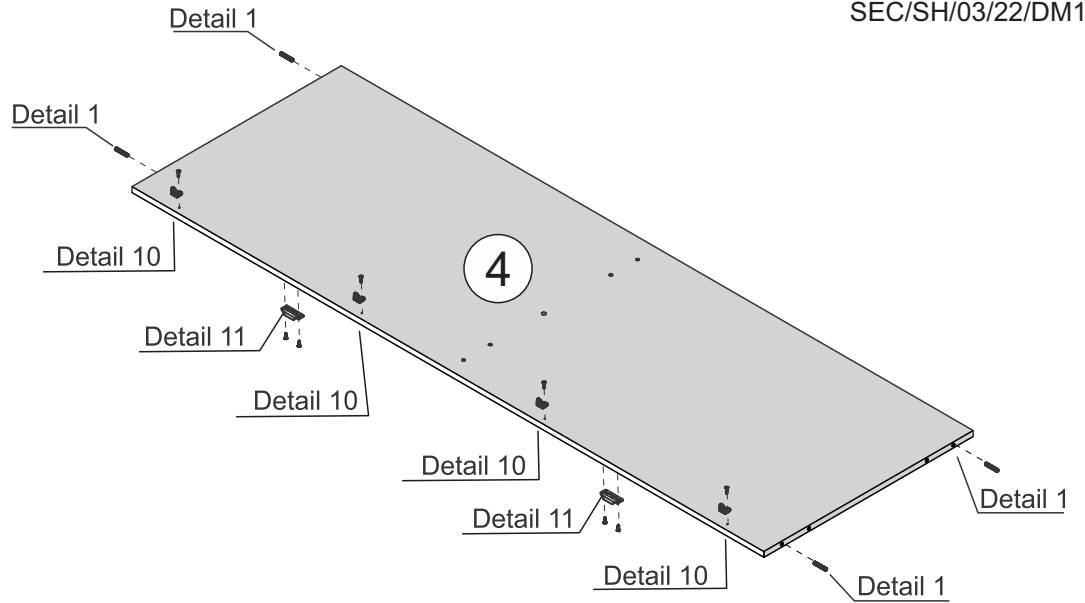
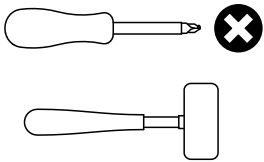
J  04

V  01
Glue

Z  04
Ø4,0 x 12mm

A1  02

TOOLS REQUIRED



Please note:
Pre-marked
Holes

Please note:
Pre-marked
Holes

STEP 10

PARTS REQUIRED

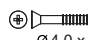
1 - DRAWER TOP x1

2 - DIVISION PANEL x1

3 - BASE PANEL x1

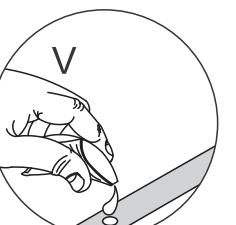
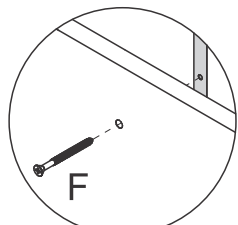
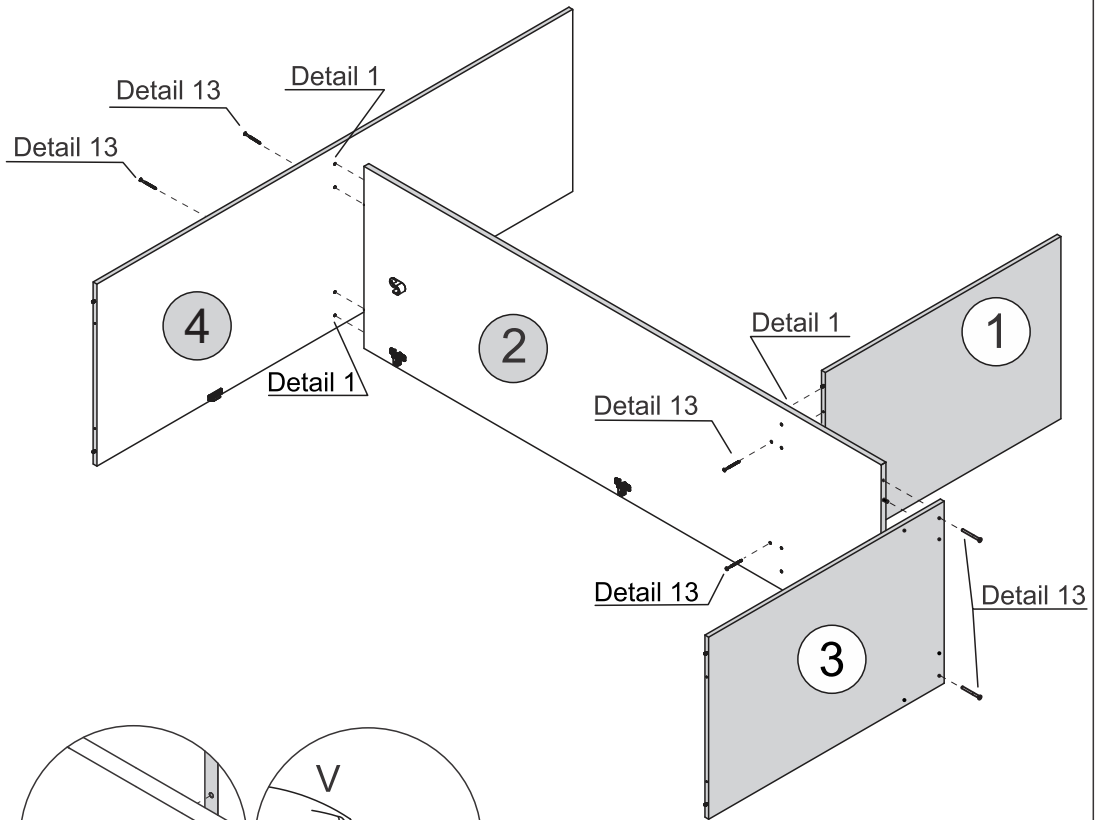
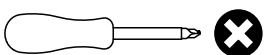
4 - TOP PANEL x1

HARDWARE REQUIRED

F  06
Ø4,0 x 45mm

V  01
Glue

TOOLS REQUIRED



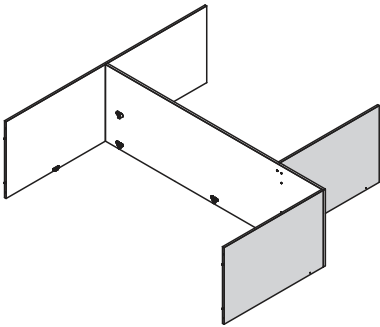
Detail 13

Detail 1



STEP 11

PARTS REQUIRED

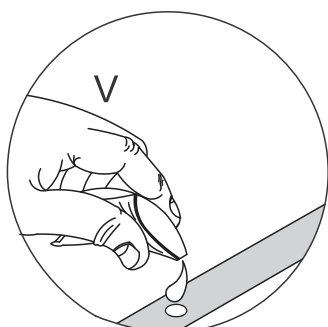
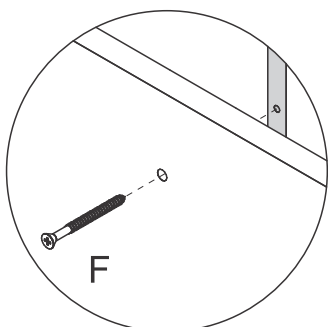
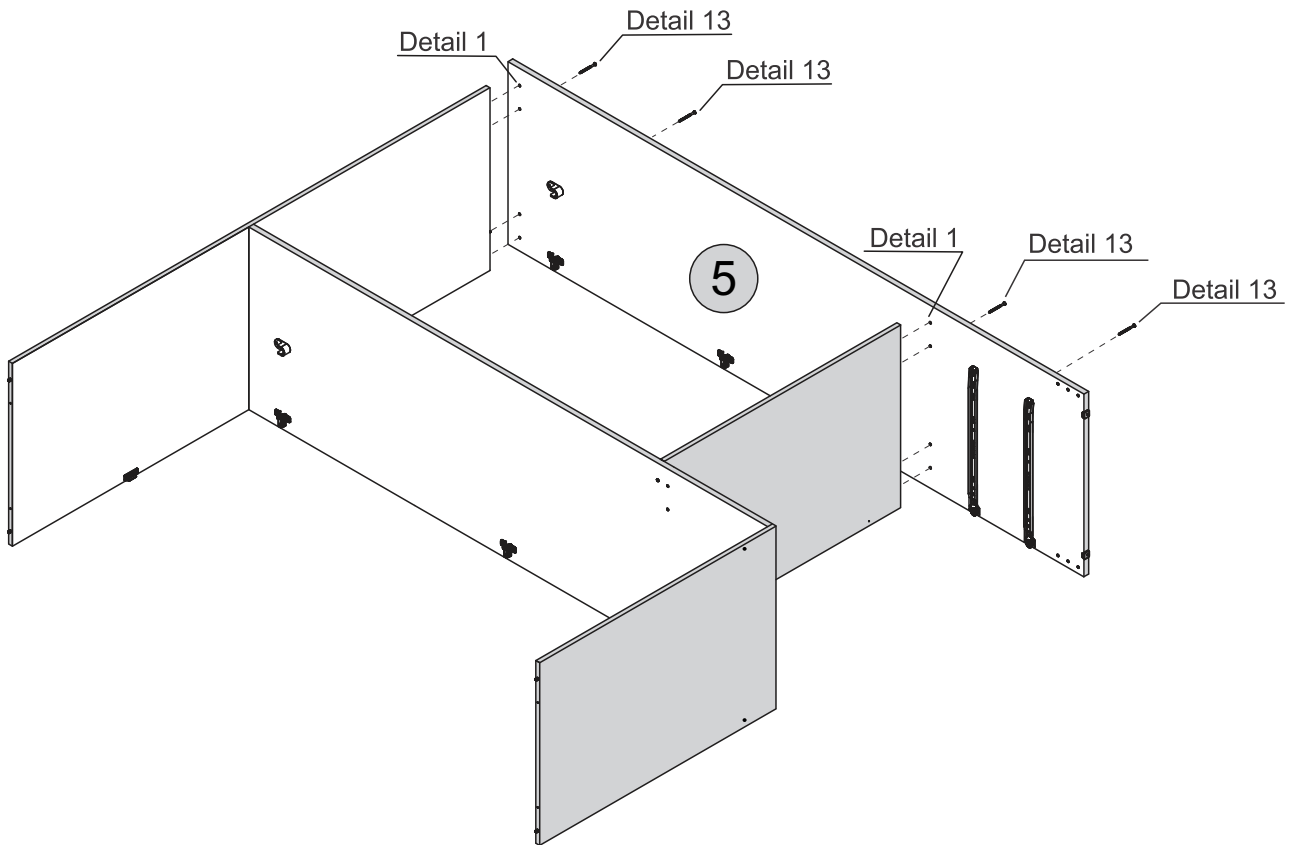
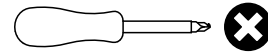
5 - LEFT SIDE PANEL x1



HARDWARE REQUIRED

F	 Ø4,0 x 45mm	04
V	 Glue	01

TOOLS REQUIRED





STEP 12

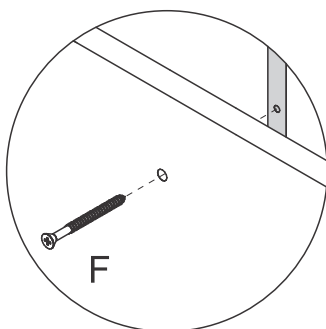
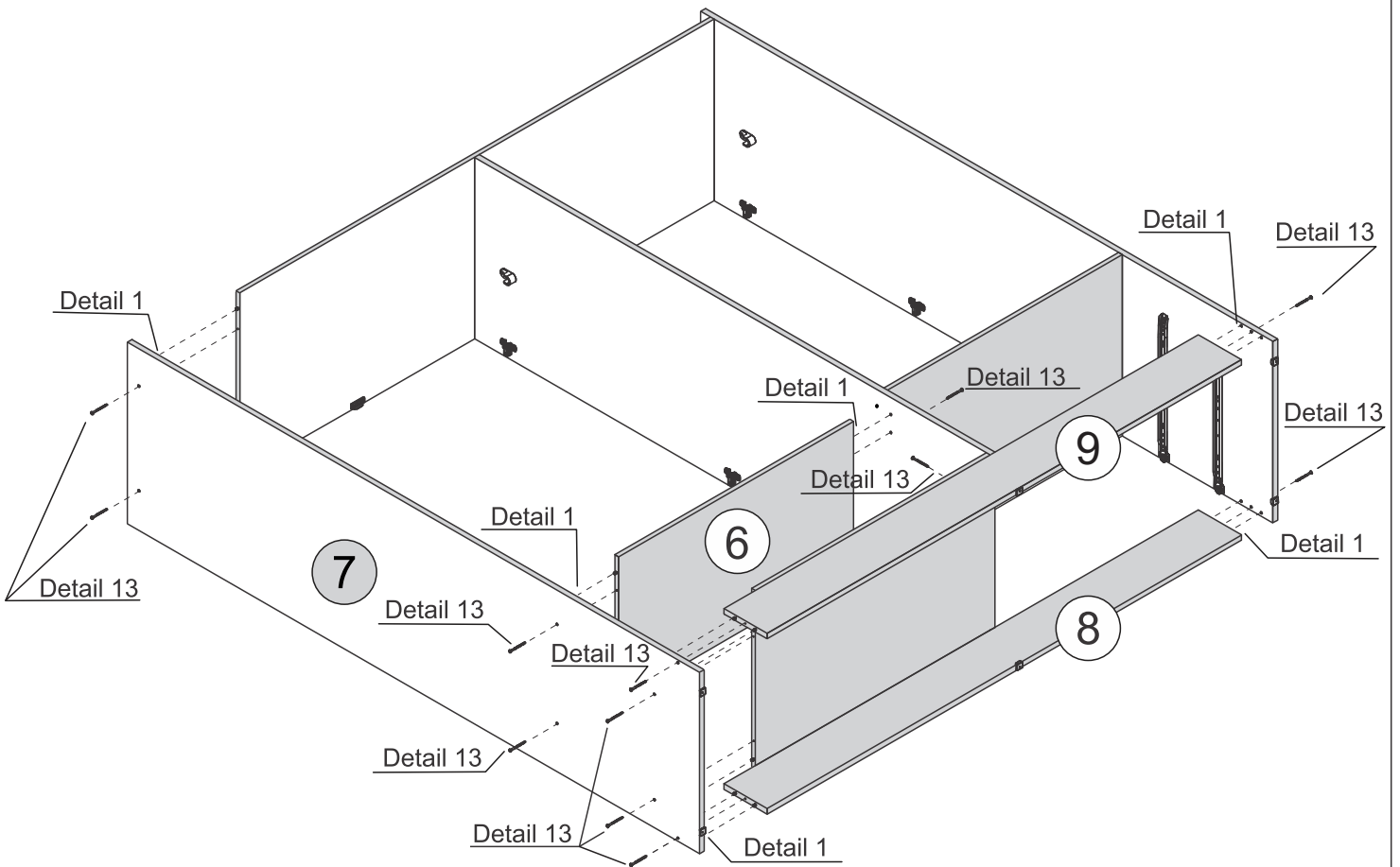
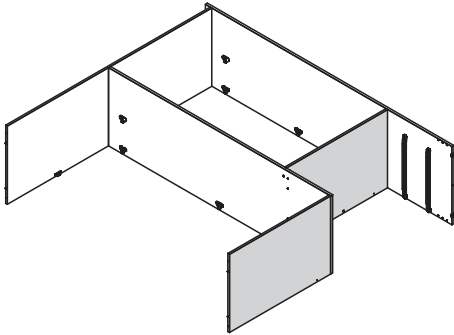
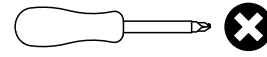
PARTS REQUIRED

6 - SHELF	x1
7 - RIGHT SIDE PANEL	x1
8 - FRONT BASEBOARD	x1
9 - BACK BASEBOARD	x1

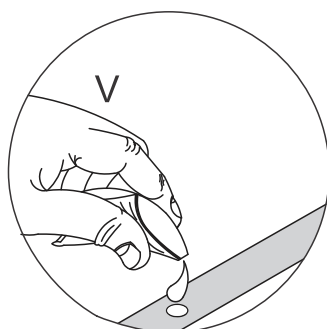
HARDWARE REQUIRED

F		Ø 4,0 x 45mm	14
V		Glue	01

TOOLS REQUIRED



Detail 13

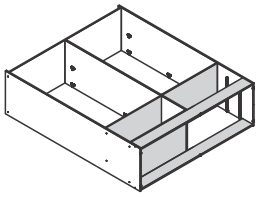


Detail 1

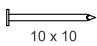
STEP 13


PARTS REQUIRED

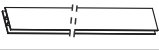
10 - BACK PANEL x4



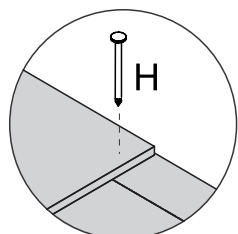
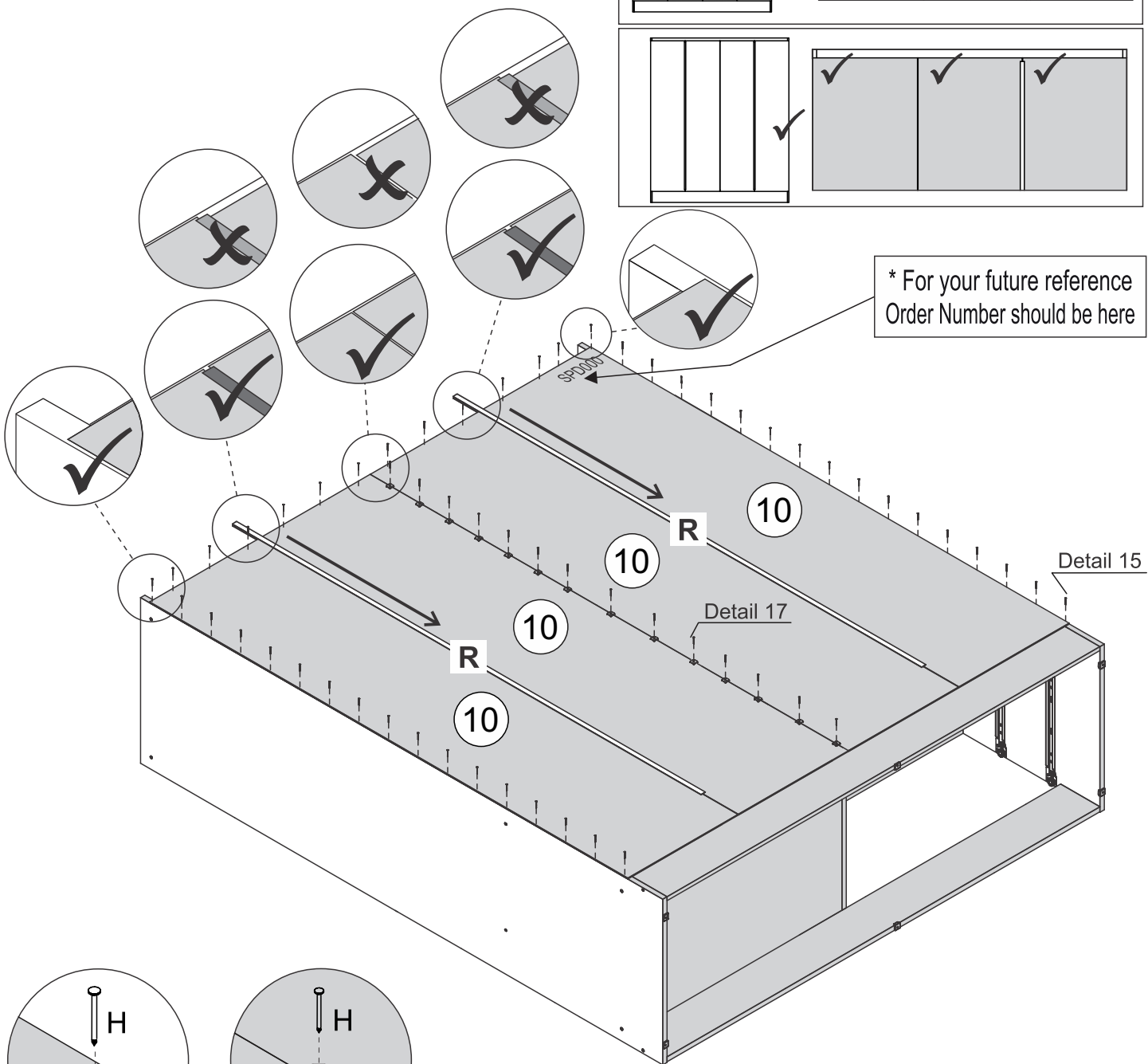
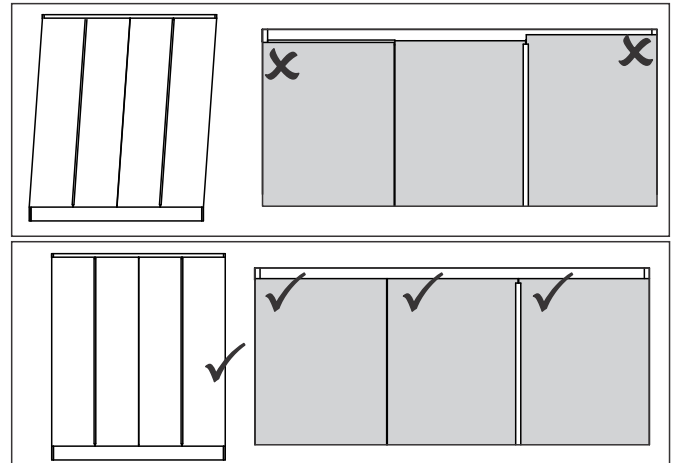
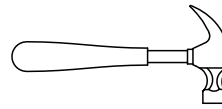
HARDWARE REQUIRED

H  62

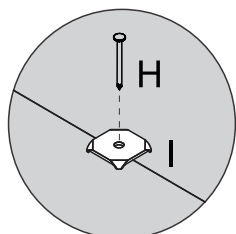
I  14

R  02

TOOLS REQUIRED



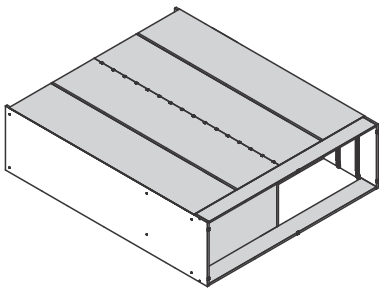
Detail 15



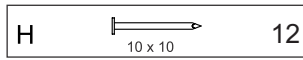
Detail 17

STEP 14

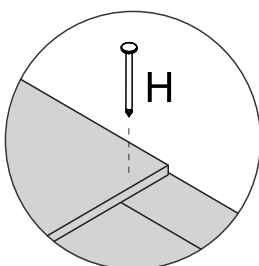
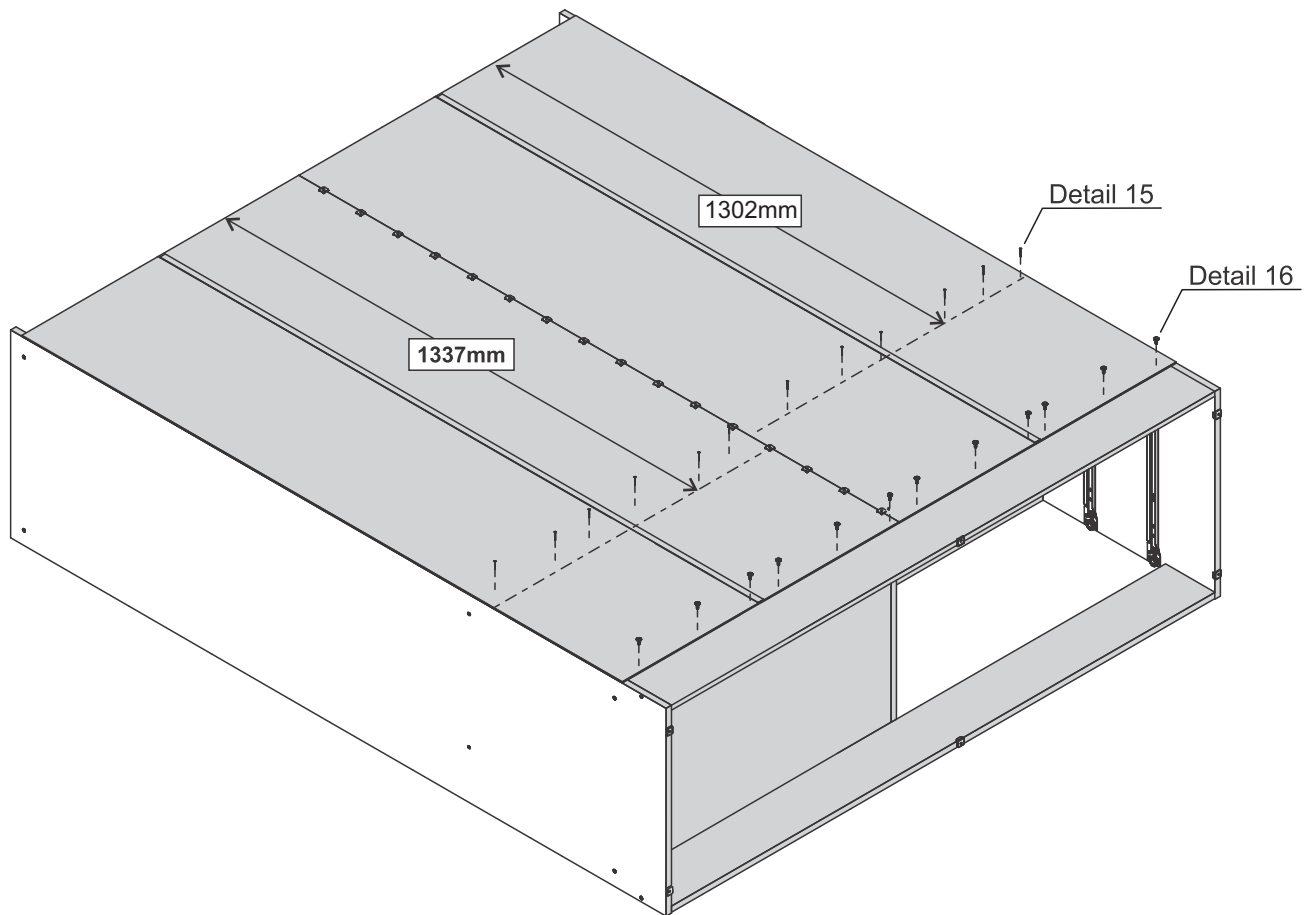
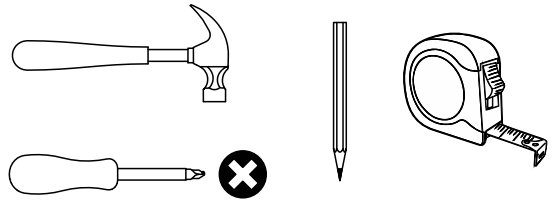
PARTS REQUIRED



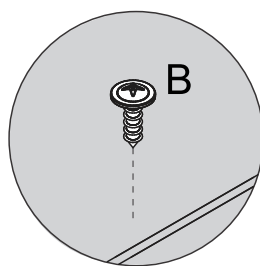
HARDWARE REQUIRED



TOOLS REQUIRED



Detail 15

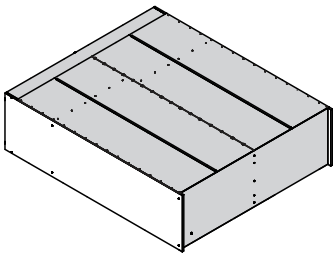


Detail 16


STEP 15

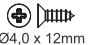
PARTS REQUIRED

11 - FRAME x1

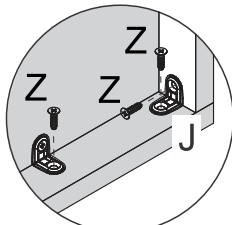
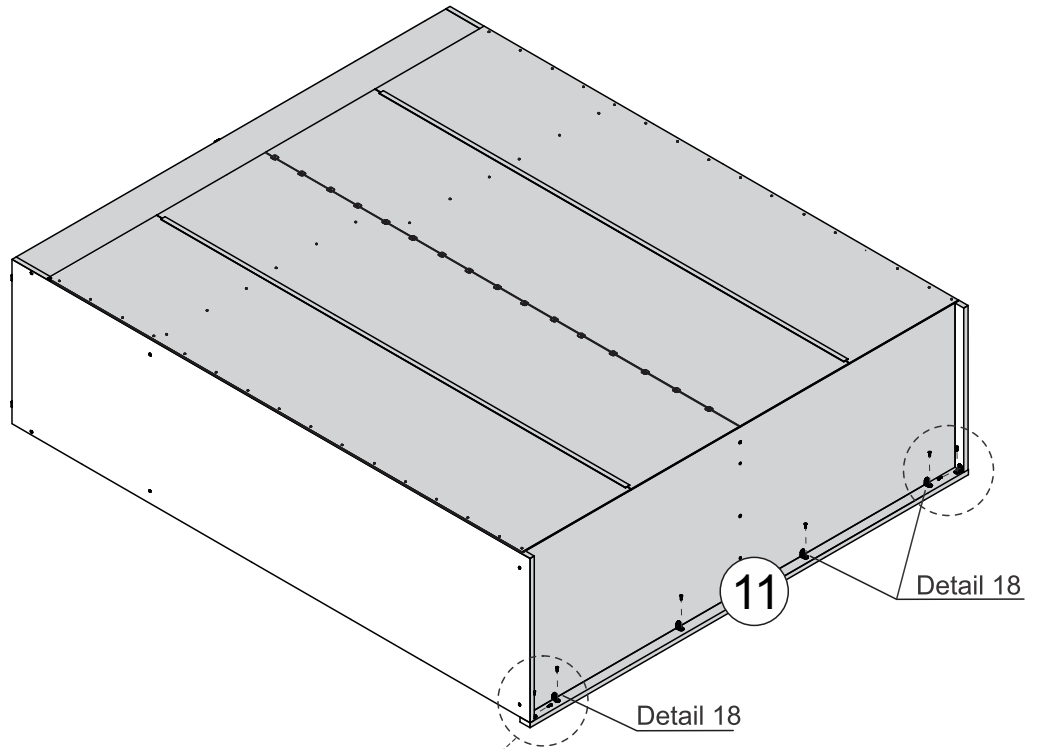
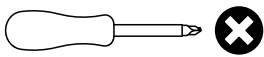


HARDWARE REQUIRED

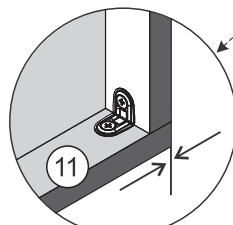
J  02

Z  08
Ø4.0 x 12mm

TOOLS REQUIRED



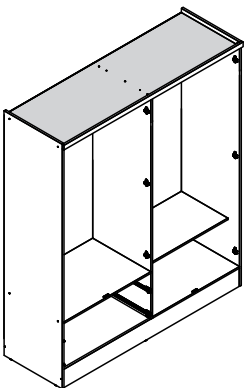
Detail 18



Align corners

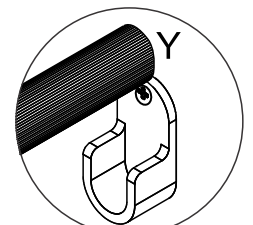
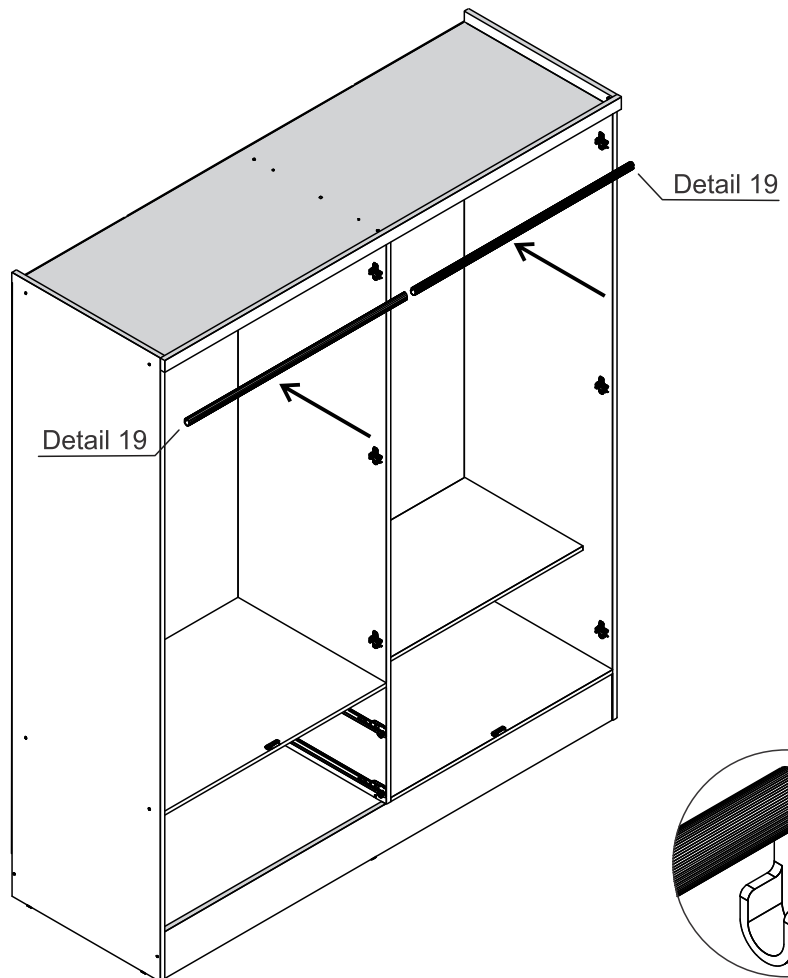
STEP 16

PARTS REQUIRED



HARDWARE REQUIRED

Y  02



Detail 19

STEP 17

PARTS REQUIRED


16 - DRAWER SIDE x4


17 - DRAWER BACK PANEL x2

18 - DRAWER FRONT x2

20 - DRAWER BOTTOM SUPPORT BAR x2

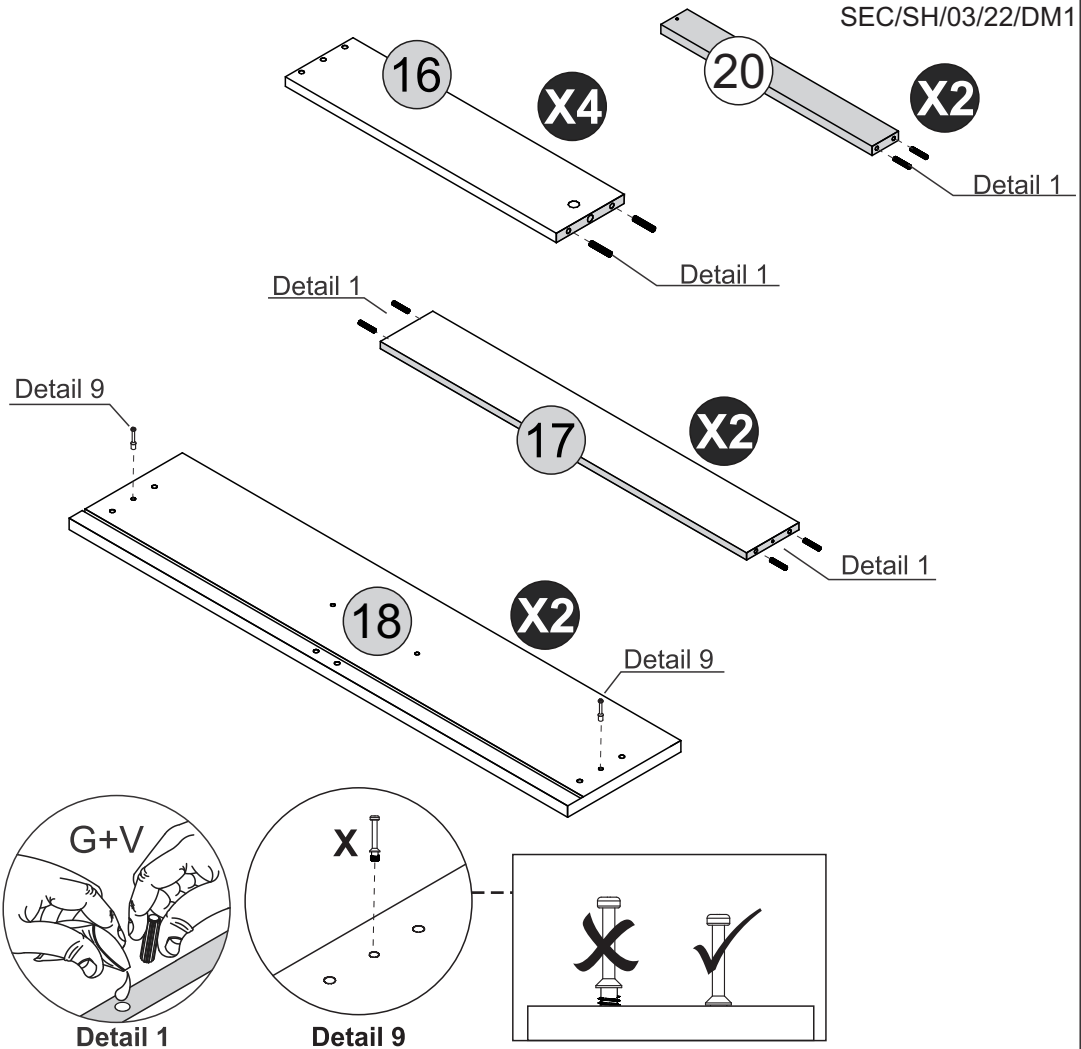
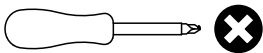
HARDWARE REQUIRED

G  20
Ø6,0 x 30mm

V  01

X  04

TOOLS REQUIRED



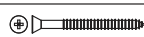
STEP 18

PARTS REQUIRED

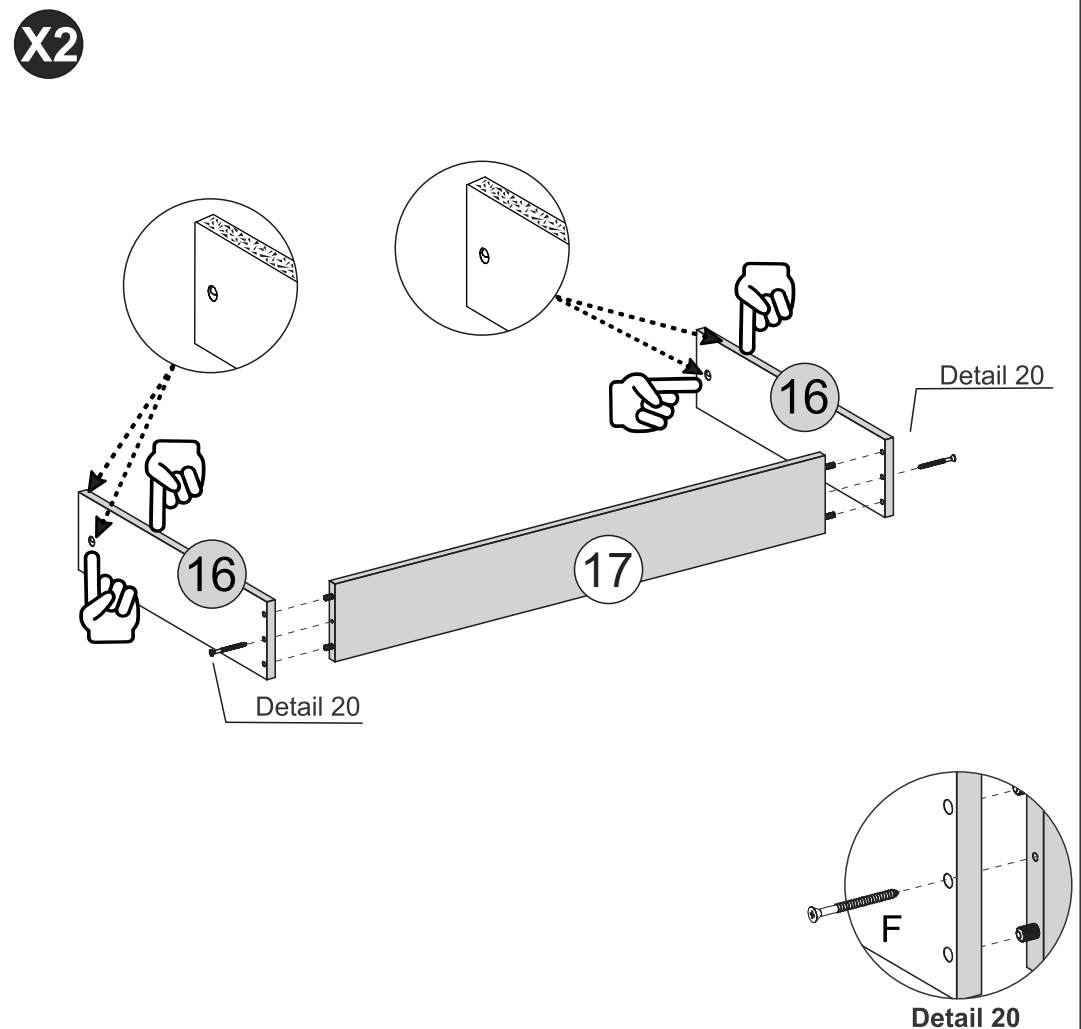
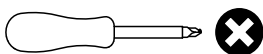
16 - DRAWER SIDE x4

17 - DRAWER BACK PANEL x2

HARDWARE REQUIRED

F  04
Ø4,0 x 45mm

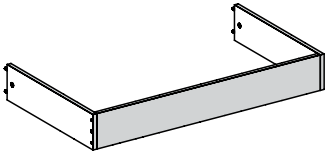
TOOLS REQUIRED




STEP 19

PARTS REQUIRED

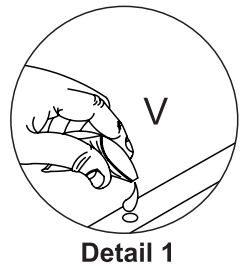
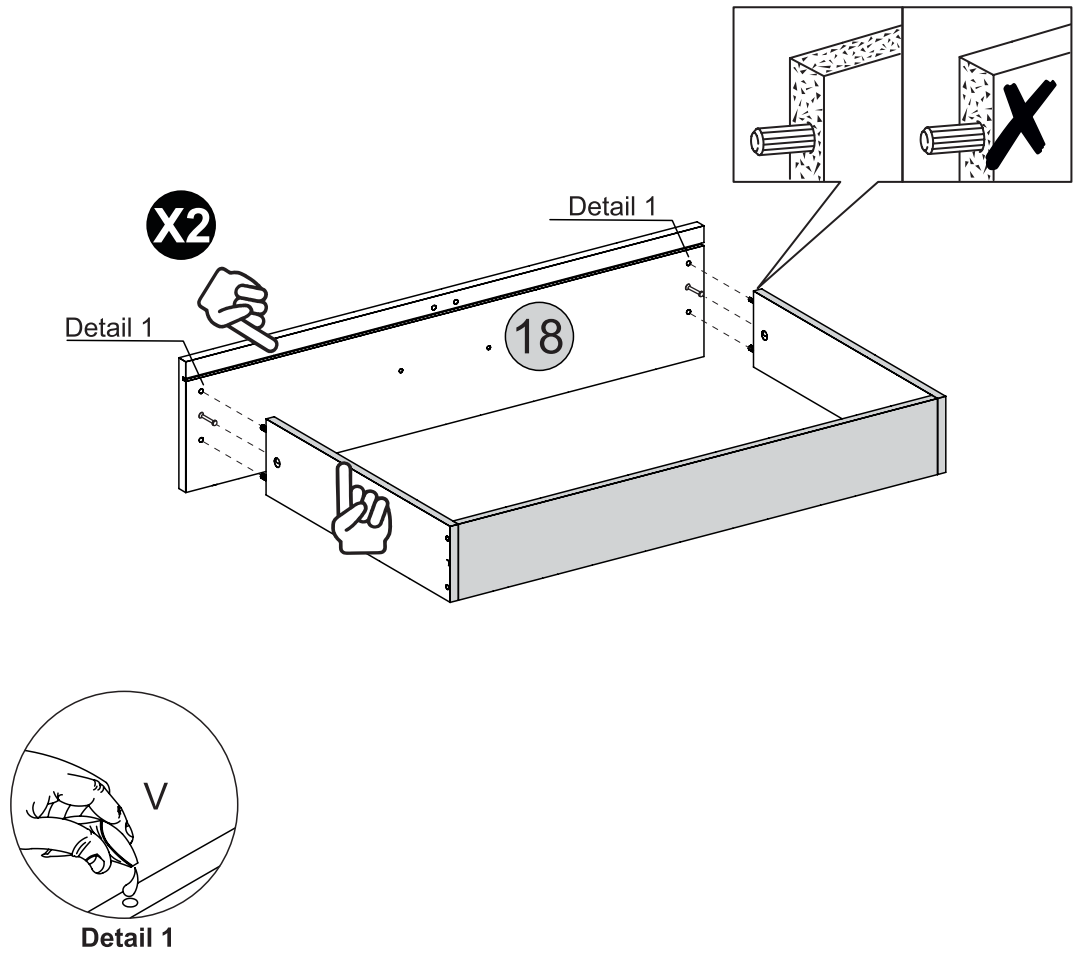
18 - DRAWER FRONT x2



HARDWARE REQUIRED

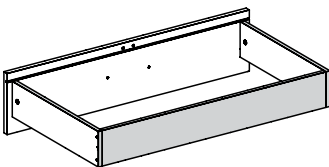
V  01

TOOLS REQUIRED




STEP 20

PARTS REQUIRED

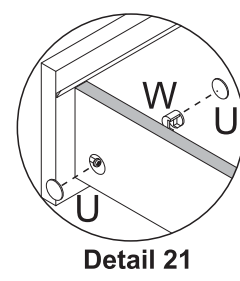
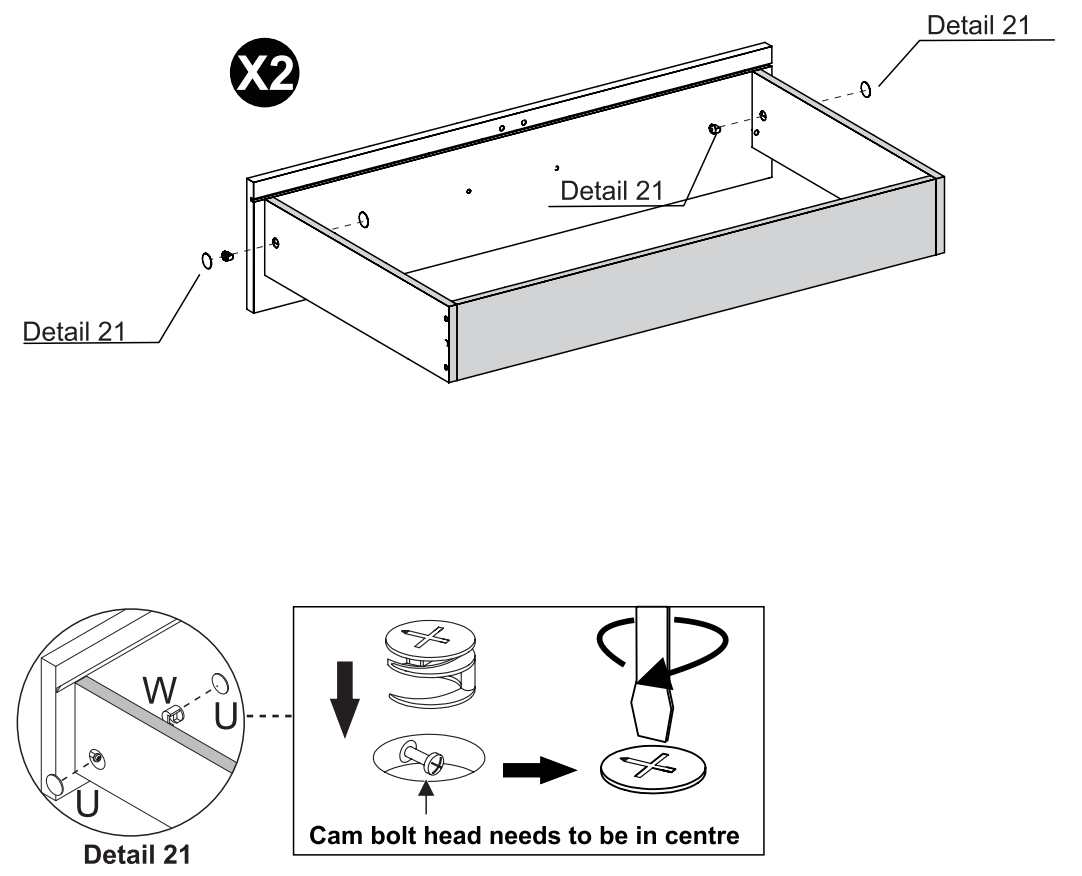
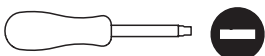


HARDWARE REQUIRED

U  08

W  04

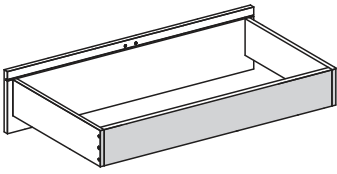
TOOLS REQUIRED



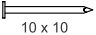
STEP 21

PARTS REQUIRED

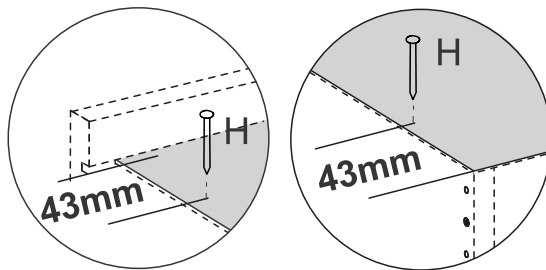
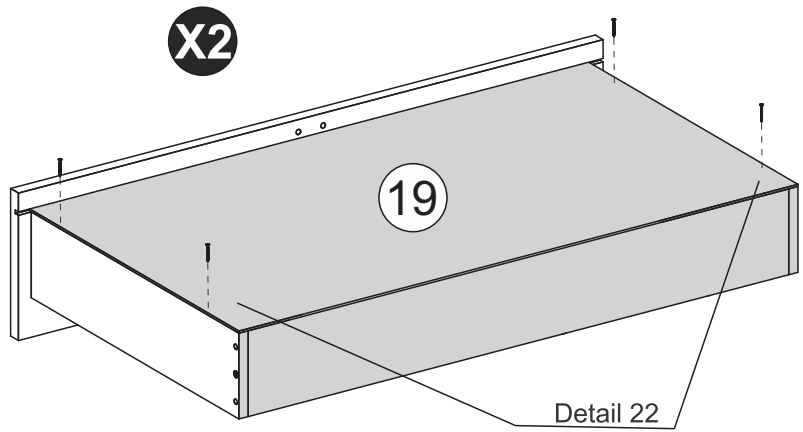
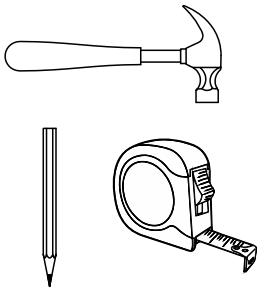
19 - DRAWER BOTTOM x2



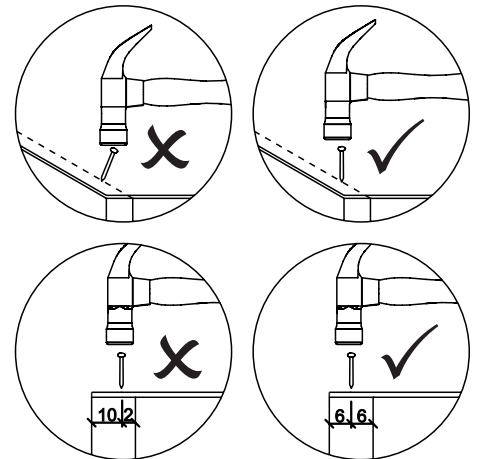
HARDWARE REQUIRED

H  08

TOOLS REQUIRED



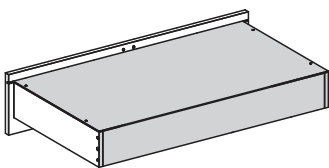
Detail 22



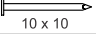
STEP 22

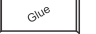
PARTS REQUIRED

20 - DRAWER BOTTOM SUPPORT BAR x2

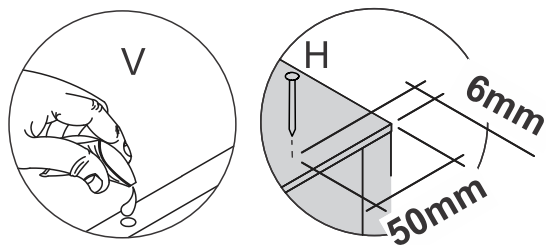
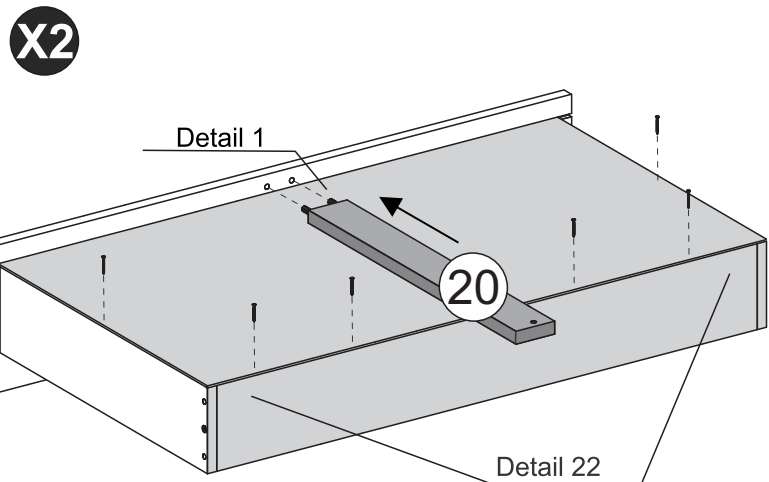
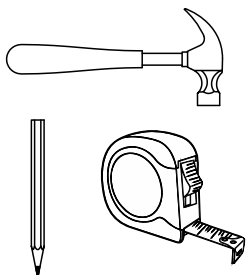


HARDWARE REQUIRED

H  12

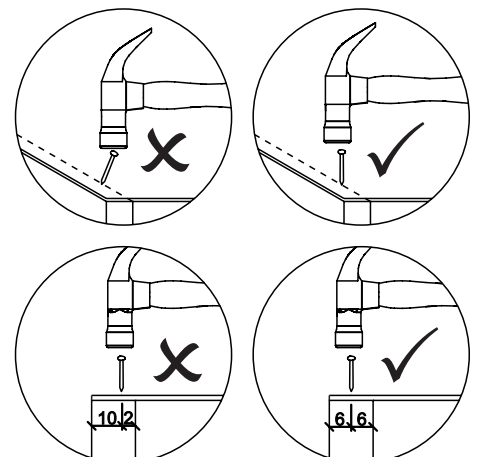
V  01

TOOLS REQUIRED



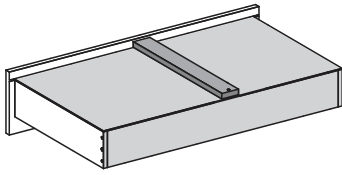
Detail 1

Detail 22

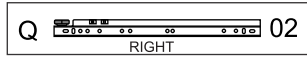
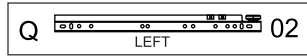
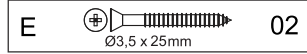
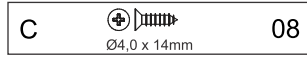


STEP 23

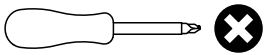
PARTS REQUIRED



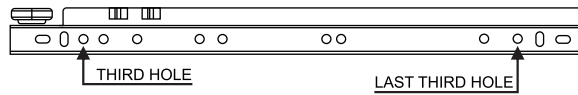
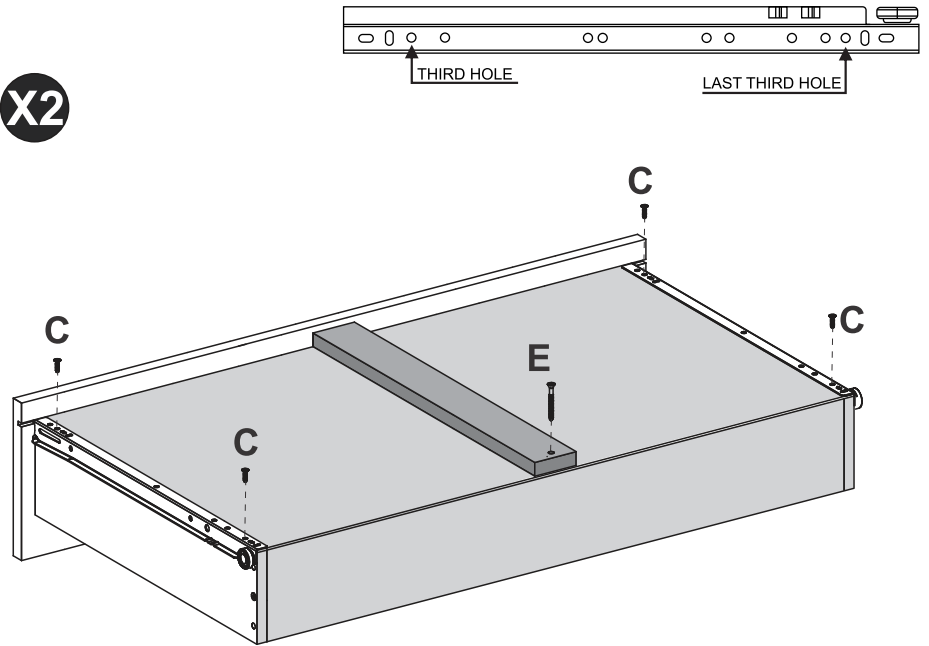
HARDWARE REQUIRED



TOOLS REQUIRED



X2



STEP 24

PARTS REQUIRED

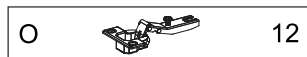
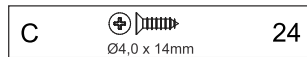
12 - RIGHT LARGE DOOR x1

13 - LEFT LARGE DOOR x1

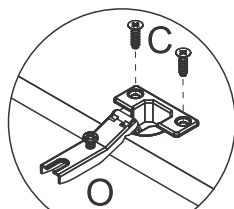
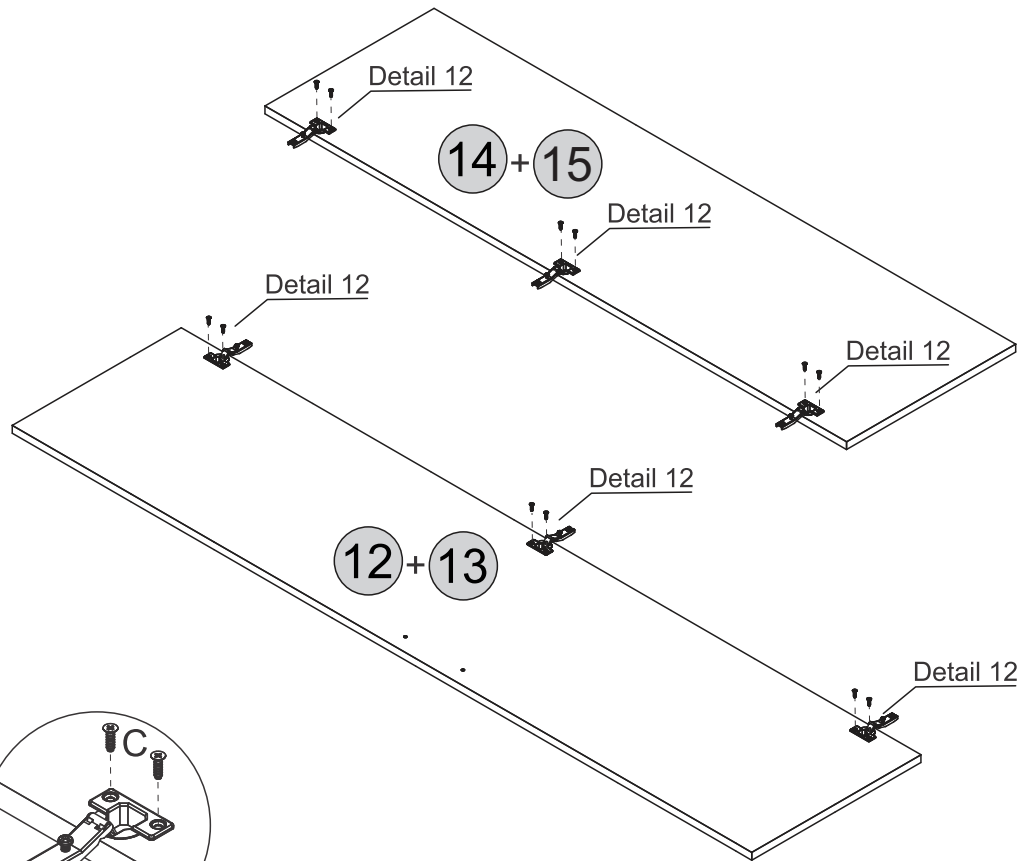
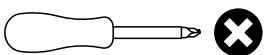
14 - RIGHT SMALL DOOR x1

15 - LEFT SMALL DOOR x1

HARDWARE REQUIRED



TOOLS REQUIRED

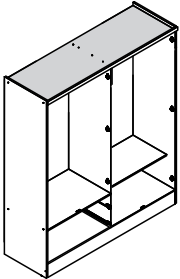


Detail 12


STEP 25

PARTS REQUIRED

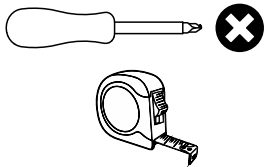
- 12 - RIGHT LARGE DOOR x1
- 13 - LEFT LARGE DOOR x1
- 14 - RIGHT SMALL DOOR x1
- 15 - LEFT SMALL DOOR x1



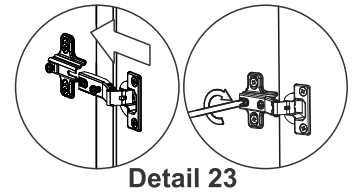
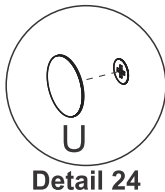
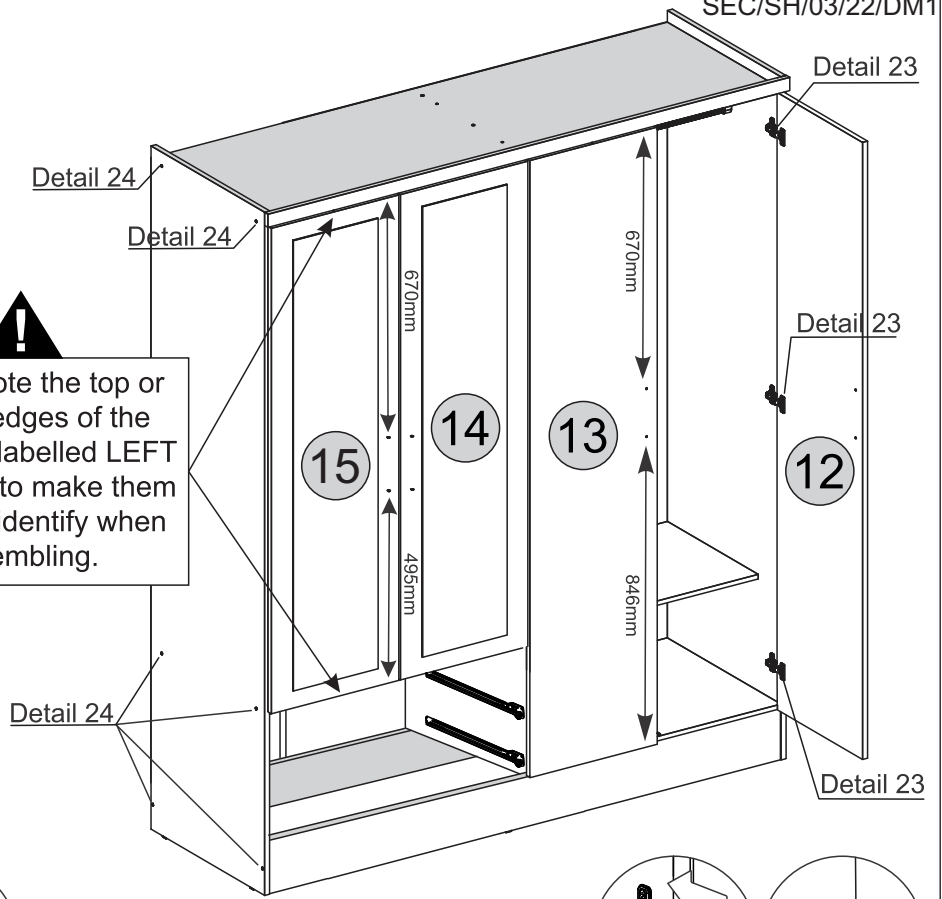
HARDWARE REQUIRED

- U  20

TOOLS REQUIRED

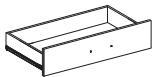
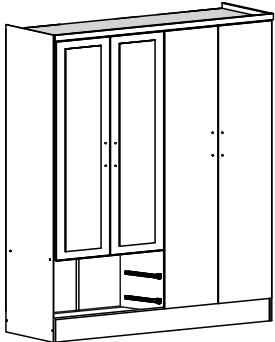


!
Please note the top or bottom edges of the doors are labelled LEFT or RIGHT to make them easier to identify when assembling.





STEP 26

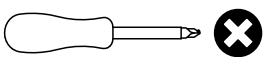
PARTS REQUIRED



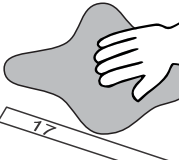
HARDWARE REQUIRED

- D  12
Ø4,0 x 20mm
- T  06

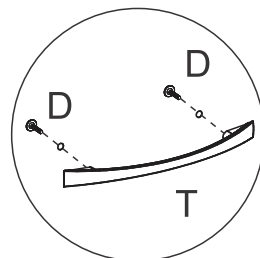
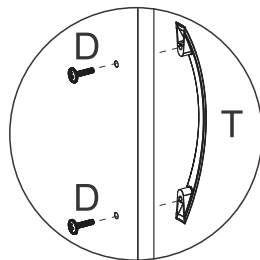
TOOLS REQUIRED



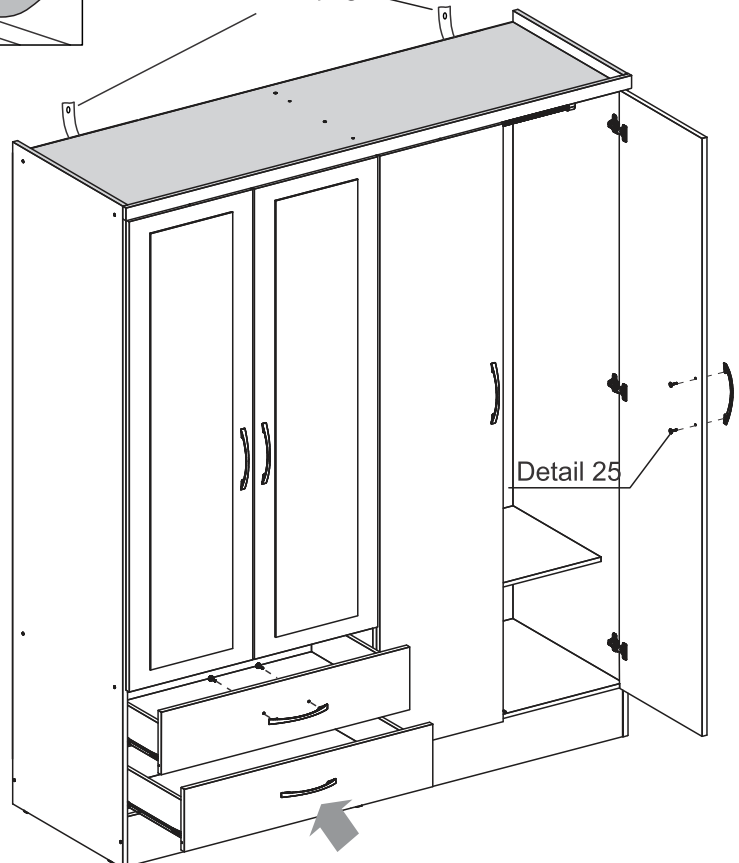
TIP
If desired, after assembly use an alcohol cleaner to erase the number printed on the parts.



!
See the last page

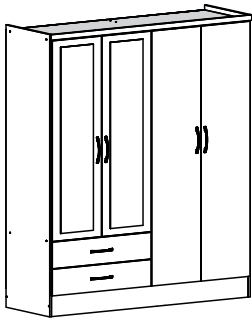


Detail 25

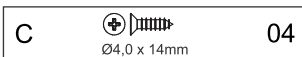


STEP 27

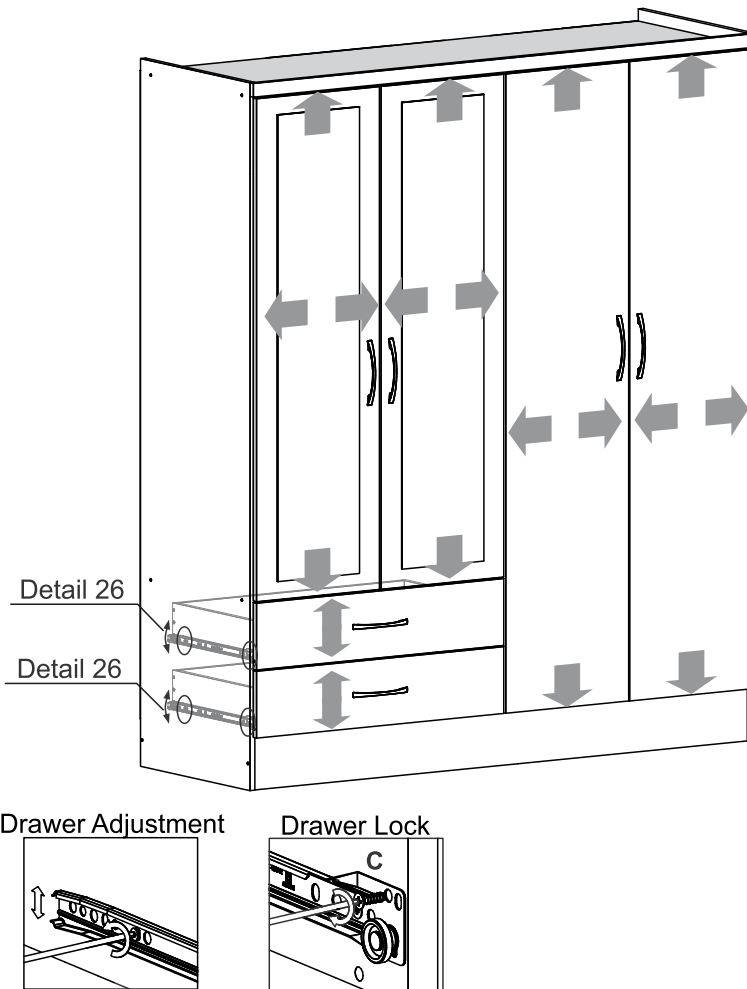
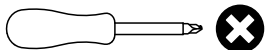
PARTS REQUIRED



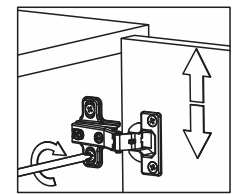
HARDWARE REQUIRED



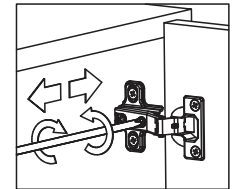
TOOLS REQUIRED



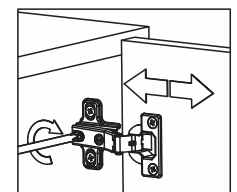
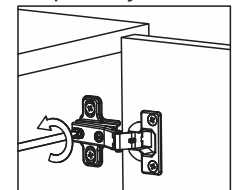
Height Adjustment



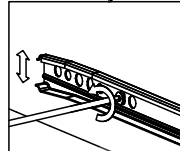
Internal Adjustment



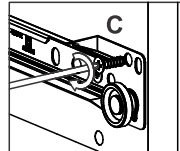
Depth Adjustment



Drawer Adjustment



Drawer Lock



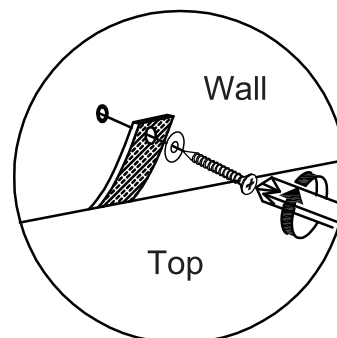
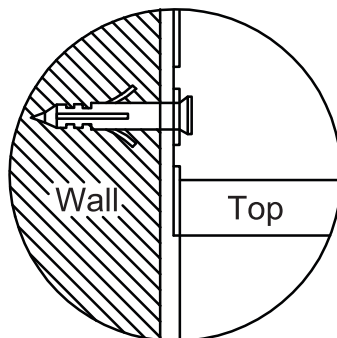
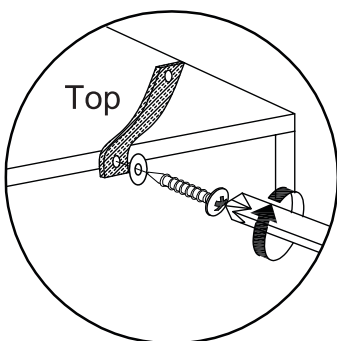
Detail 26

WARNING

Serious or fatal injuries can occur from furniture tipping over. To prevent the furniture from tipping over we recommend that it is permanently fixed to the wall.

Wall fixings are not supplied with this product as different wall materials require different types of fixing devices.

Please make sure you use fixings suitable for the walls in your home.



N	Flan Head Screw Ø3,5 x 30mm (2x)
K	 Washer (4x)
S	 Strap (2x)