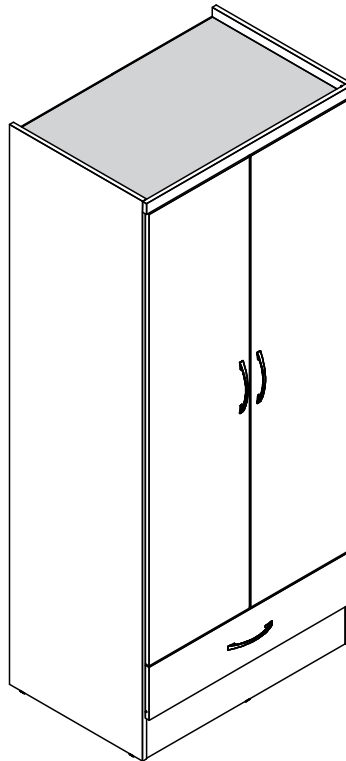


NEVADA 2 DOOR 1 DRAWER WARDROBE BLACK WOOD GRAIN ASSEMBLY INSTRUCTIONS

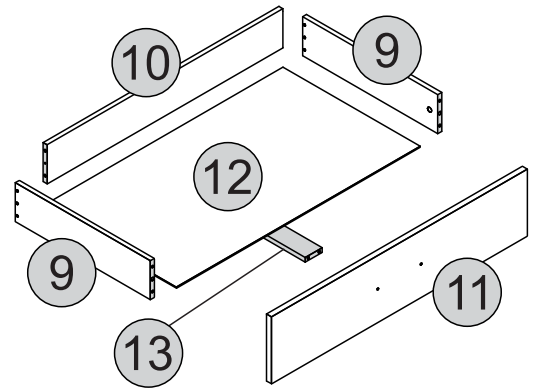
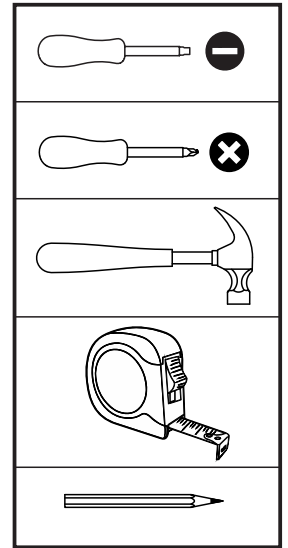
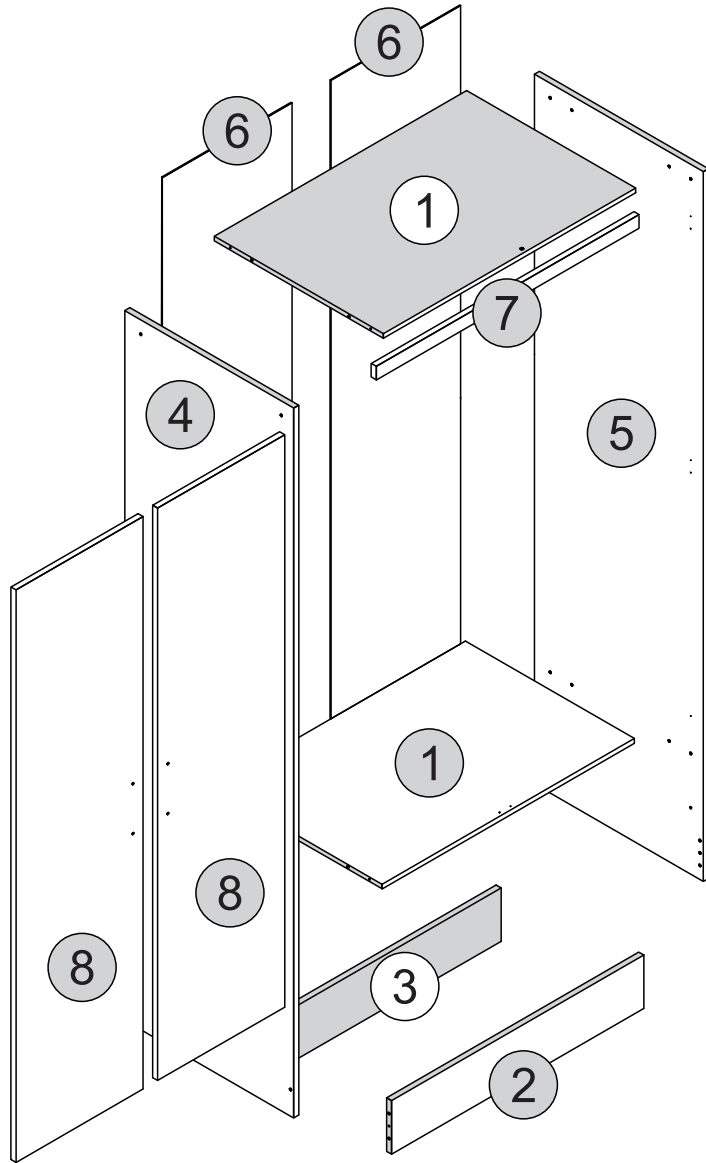


IMPORTANT FOR DOMESTIC USE ONLY

PLEASE READ BEFORE YOU CONTINUE FURTHER

CARE AND MAINTENANCE

- After unpacking this product please keep the original packaging in case it needs to be returned for any reason.
- Please ensure all fittings and parts are present before commencing with assembly.
 - Never drag or push products as this could cause damage to the joints making it inferior.
 - We strongly recommend that you keep children away from your work area.
 - We recommend that you lay a blanket or sheet on the floor to avoid damage to both your floor and the product.
 - Assemble this product as close to its final position as possible.
 - Do not place this product next to a radiator or in direct sunlight.
 - Do not drag or push items across your high gloss furniture as this may cause the surface to scratch
 - Wood is a natural product and may expand if subjected to damp and may shrink or crack if subjected to heat. Therefore it is recommended that room temperature is maintained, with no sudden temperature fluctuations.
 - Make sure any spillage is wiped off immediately.
 - Do not place hot or chilled items directly on to the surface, use a place mat or marking will occur.
 - For general cleaning use a soft cotton or micro fibre cloth, and do not use detergents of any kind.
 - From time to time it may be necessary to tighten fittings, regular inspections should be carried out.
 - Do not place on a wet or damp floor as staining may occur to your floor.



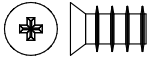
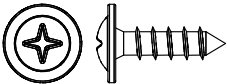
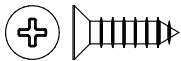
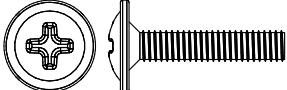

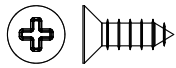

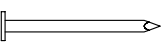

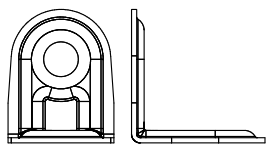
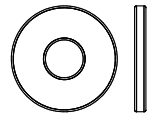
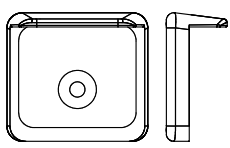
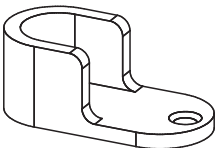
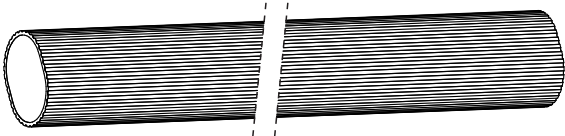
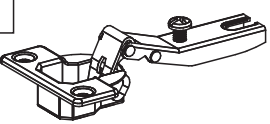

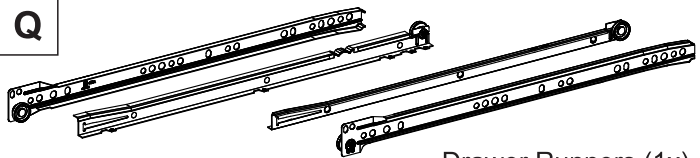
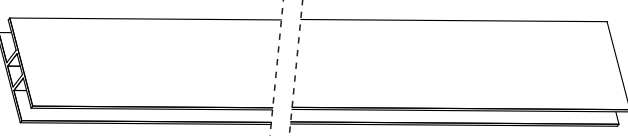




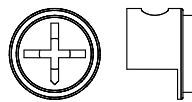
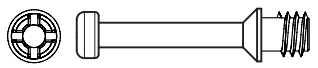
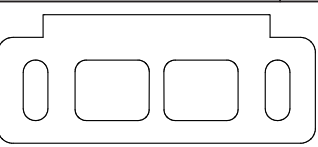
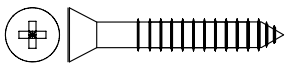
PARTS LIST

Please Note:
The below parts have all been stamped with the part number to help identify them during assembly.

Part Number	Part Code	Part Description	Quantity	Carton
01	S100-101-128-DM1-01	Base-Top Panel	2	1/2
02	S100-101-128-DM1-02	Front Baseboard	1	2/2
03	S100-101-128-DM1-03	Back Baseboard	1	2/2
04	S100-101-128-DM1-04	Left Side Panel	1	1/2
05	S100-101-128-DM1-05	Right Side Panel	1	1/2
06	S100-101-128-DM1-06	Back Panel	2	1/2
07	S100-101-128-DM1-07	Frame	1	2/2
08	S100-101-128-DM1-08	Door	2	2/2
09	S100-101-128-DM1-09	Drawer Side	2	1/2
10	S100-101-128-DM1-10	Drawer Back Panel	1	2/2
11	S100-101-128-DM1-11	Drawer Front	1	2/2
12	S100-101-128-DM1-12	Drawer Bottom	1	1/2
13	S100-101-128-DM1-13	Drawer Bottom Support Bar	1	2/2


FITTINGS LIST

SEC/SW/03/21/DM1

<p>A</p>  <p>Flat Head Screw Ø6,0 x 8mm (4x)</p> <p>1/+</p>	<p>B</p>  <p>Flan Head Screw Ø3,5 x 12mm (10x)</p> <p>1/+</p>	<p>C</p>  <p>Flat Head Screw Ø4,0 x 14mm (34x)</p> <p>2/+</p>	<p>D</p>  <p>Flan Head Screw Ø4,0 x 20mm (6x)</p> <p>1/+</p>
<p>E</p>  <p>Flat Head Screw Ø4,0 x 45mm (14x)</p> <p>2/+</p>		<p>F</p>  <p>Flat Head Screw Ø4,0 x 12mm (8x)</p> <p>1/+</p>	<p>G</p>  <p>Dowel Ø6,0 x 30mm (26x)</p> <p>2/+</p>
<p>H</p>  <p>Nail 10 x 10 (65x)</p> <p>5/+</p>	<p>I</p>  <p>Flan Head Screw Ø3,5 x 30mm (2x)</p> <p>1/+</p>	<p>J</p>  <p>'L' Metallic Support (4x)</p> <p>1/+</p>	<p>K</p>  <p>Washer (4x)</p> <p>1/+</p>
<p>L</p>  <p>Plastic Foot (6x)</p> <p>1/+</p>	<p>M</p>  <p>Hanging Rail Support (2x)</p>	<p>N</p>  <p>Hanging Rail (1x)</p>	
<p>O</p>  <p>Hinge (6x)</p>	<p>P</p>  <p>Hinge Plate (6x)</p>	<p>Q</p>  <p>Drawer Runners (1x)</p>	
<p>R</p>  <p>Back Panel Strip (1x)</p>		<p>S</p>  <p>Strap (2x)</p>	<p>T</p>  <p>Handle (3x)</p>
<p>U</p>  <p>Hole Plugs (16x)</p> <p>2/+</p>	<p>V</p>  <p>Glue (2x)</p>	<p>W</p>  <p>Cam Nut (2x)</p> <p>1/+</p>	<p>X</p>  <p>Cam Bolt (2x)</p> <p>1/+</p>
<p>Y</p>  <p>Door Support (2x)</p>	<p>Z</p>  <p>Flat Head Screw Ø3,5 x 25mm (1x)</p> <p>1/+</p>		

TIPS FOR FITTINGS CAM-LOCKS


WHEN FITTING CAM NUT, ENSURE STARTING POSITION IS CORRECT BEFORE YOU INSERT CONNECTING CAM BOLT TURN CLOCKWISE UNTIL SECURE



✓

↑

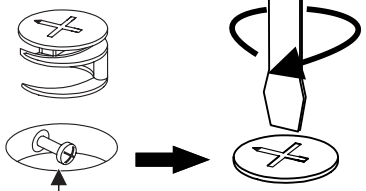
CORRECT



✗

↑

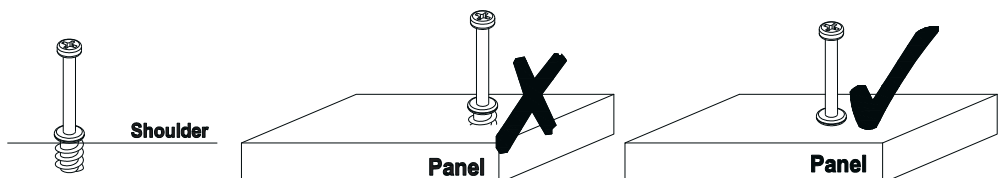
WRONG



Cam bolt head needs to be in centre

CAMBOLT

Tighten until shoulder is flush with panel. Do not overtighten or undertighten (see example beside)




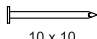
STEP 1

PARTS REQUIRED

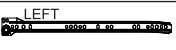
4 - LEFT SIDE PANEL x1

HARDWARE REQUIRED

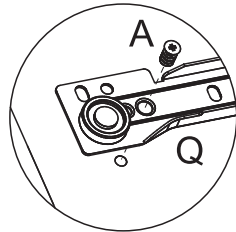
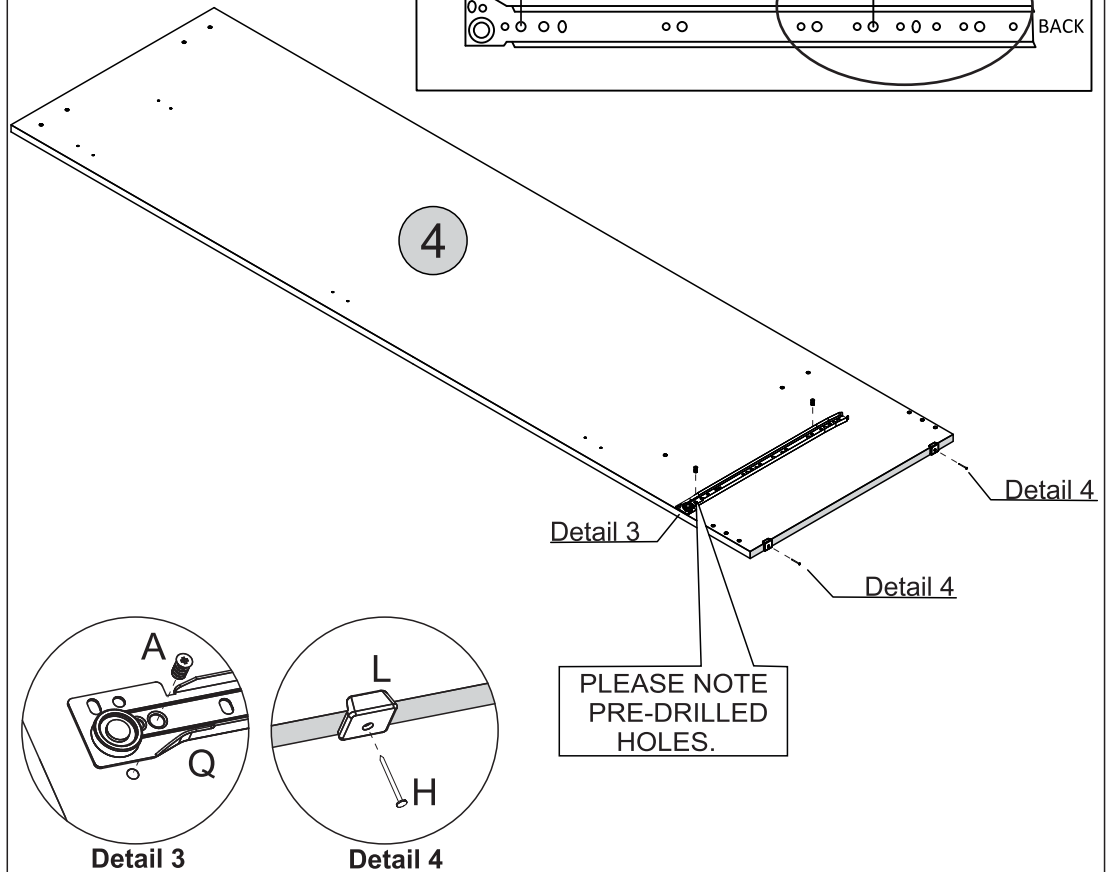
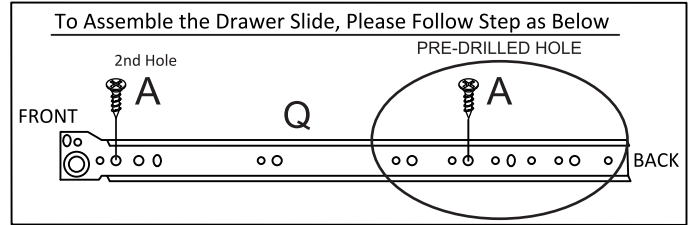
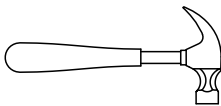
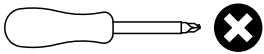
A  02
Ø6,0 x 8mm

H  02
10 x 10

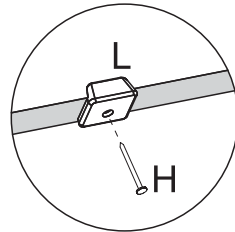
L  02

Q  01

TOOLS REQUIRED



Detail 3




Detail 4

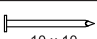
STEP 2

PARTS REQUIRED

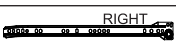
5 - RIGHT SIDE PANEL x1

HARDWARE REQUIRED

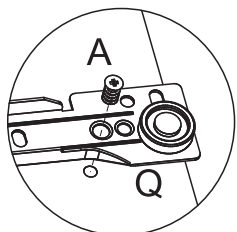
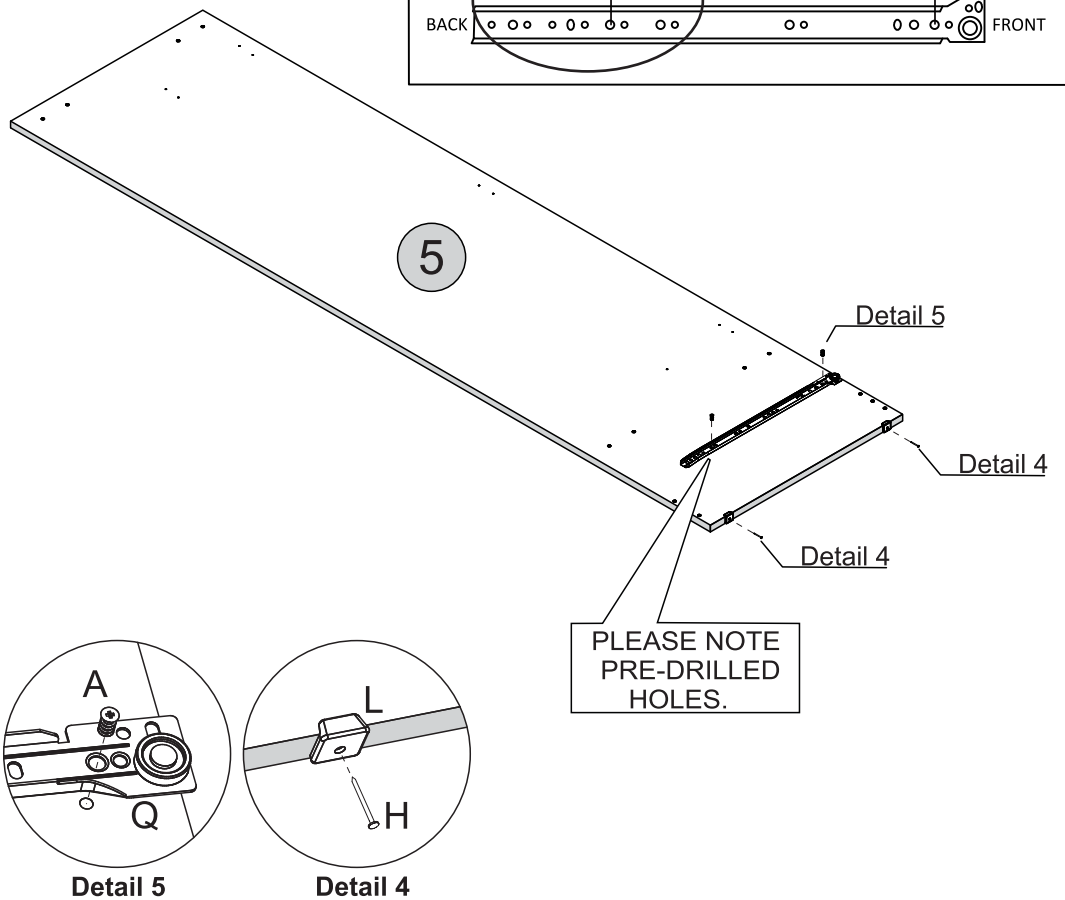
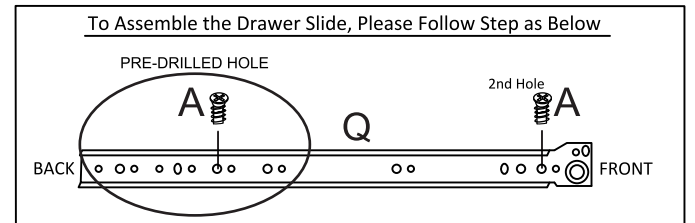
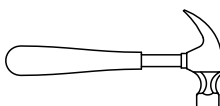
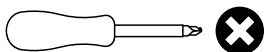
A  02
Ø6,0 x 8mm

H  02
10 x 10

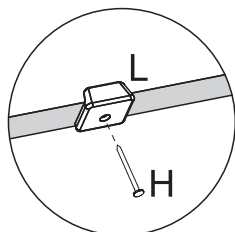
L  02

Q  01

TOOLS REQUIRED



Detail 5



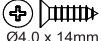
Detail 4

STEP 3

PARTS REQUIRED

4 - LEFT SIDE PANEL x1

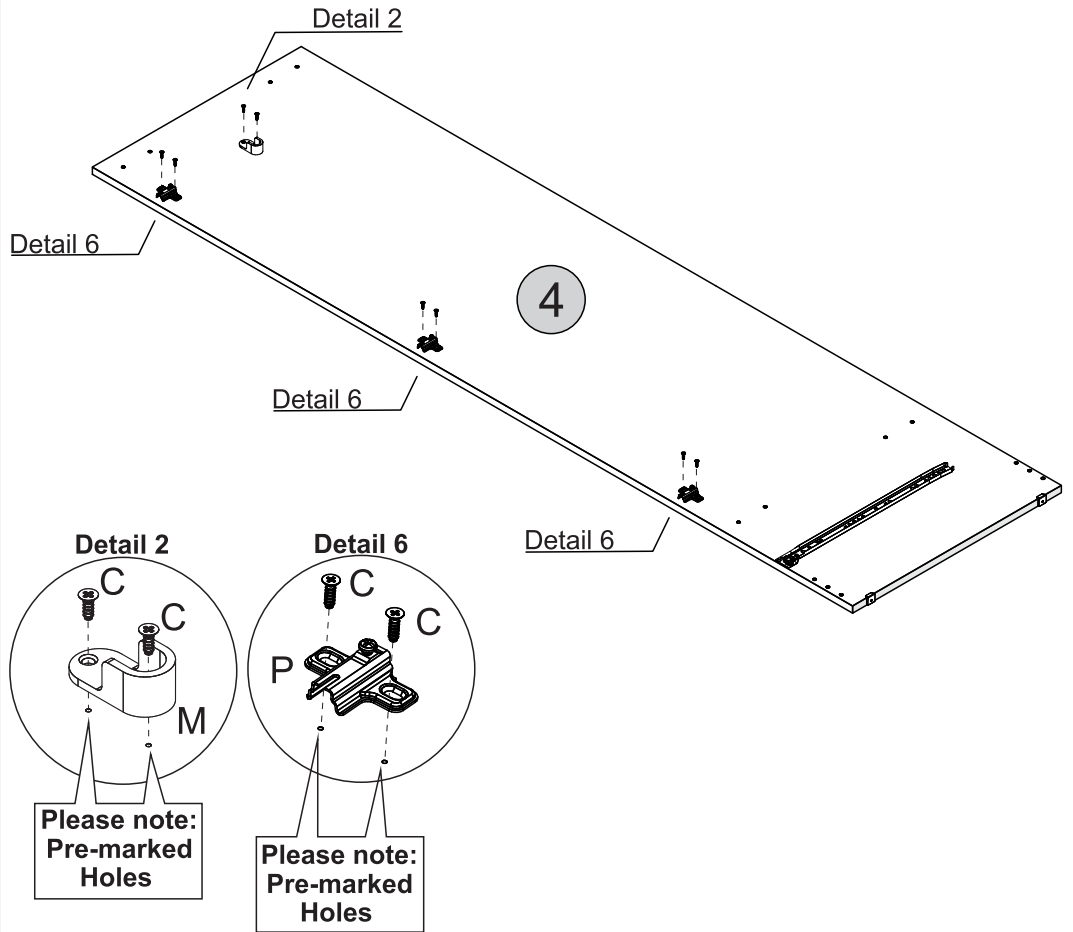
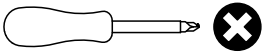
HARDWARE REQUIRED

C  08
Ø4,0 x 14mm

M  01

P  03

TOOLS REQUIRED

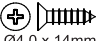


STEP 4

PARTS REQUIRED

5 - RIGHT SIDE PANEL x1

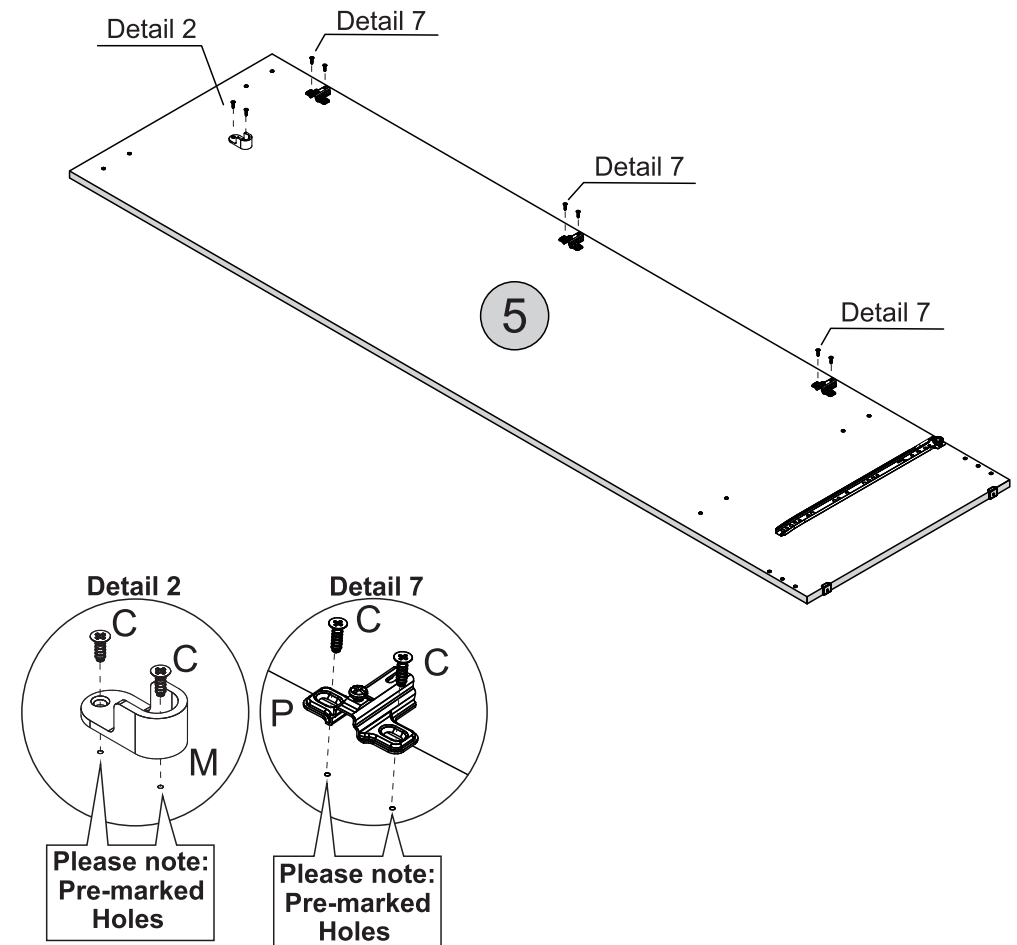
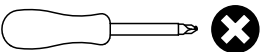
HARDWARE REQUIRED

C  08
Ø4,0 x 14mm

M  01

P  03

TOOLS REQUIRED




STEP 5

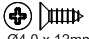
PARTS REQUIRED

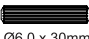
1A - TOP PANEL x1

1B - BASE PANEL x1


HARDWARE REQUIRED

B  04
Ø3,5 x 12mm

F  02
Ø4,0 x 12mm

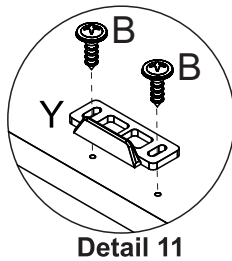
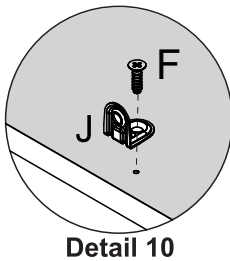
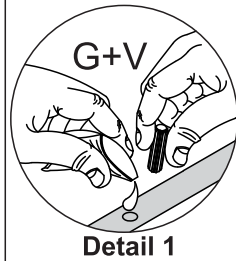
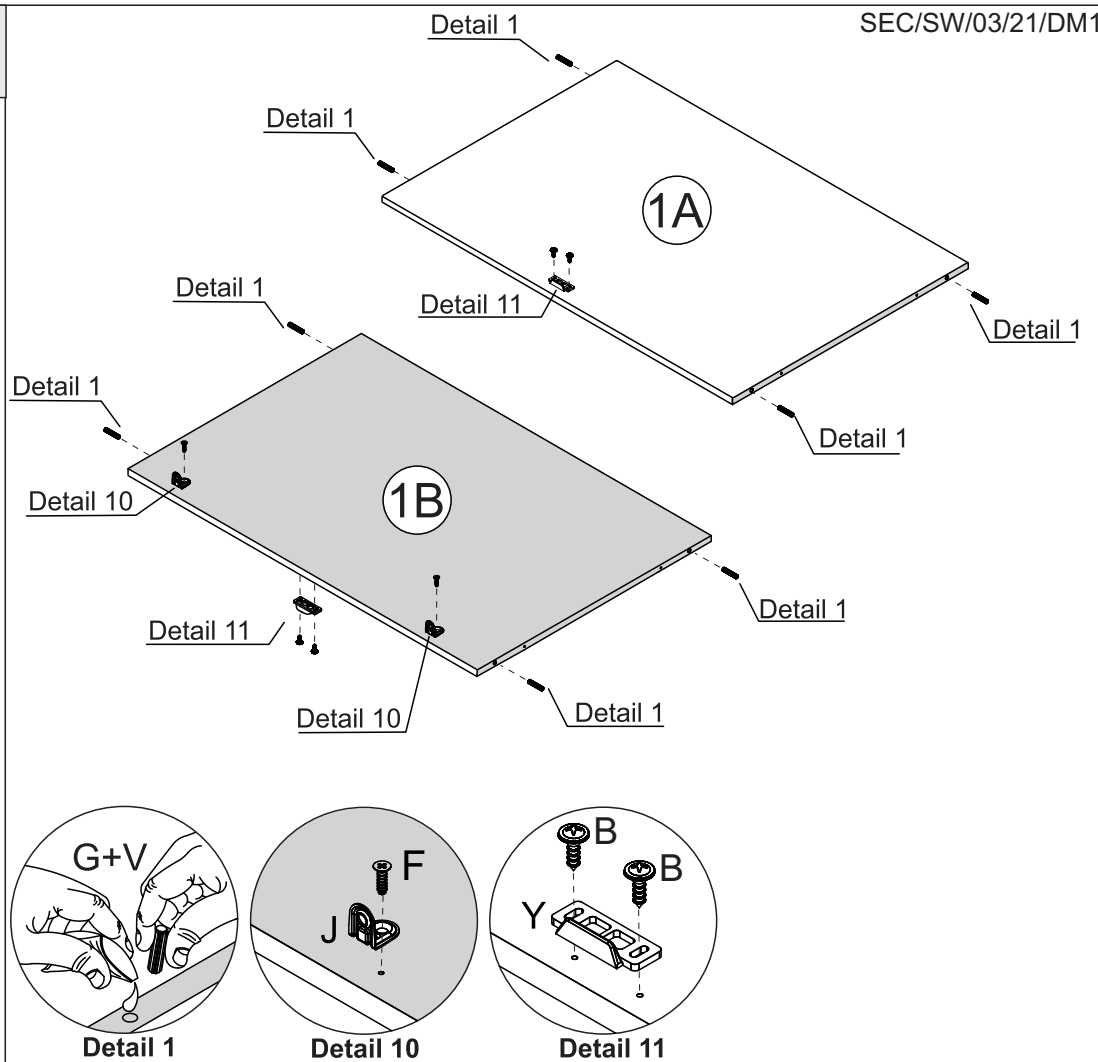
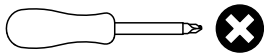
G  08
Ø6,0 x 30mm

J  02

V  01

Y  02

TOOLS REQUIRED



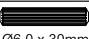
STEP 6

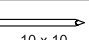
PARTS REQUIRED

2 - FRONT BASEBOARD x1


3 - BACK BASEBOARD x1

HARDWARE REQUIRED

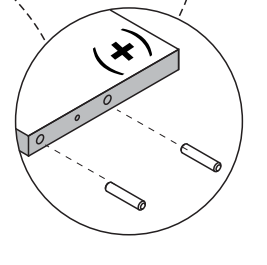
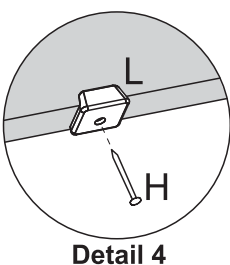
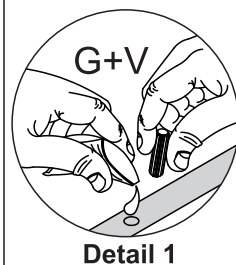
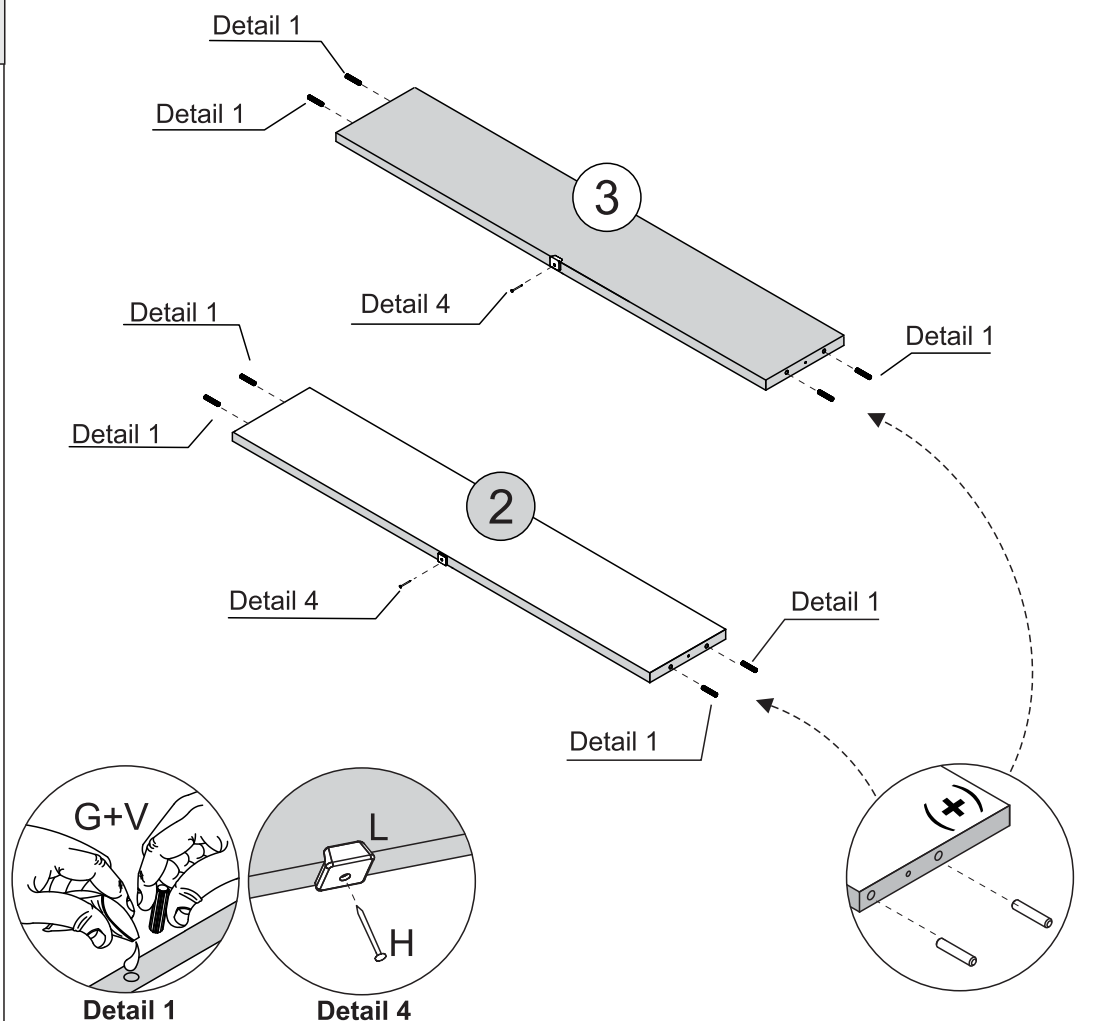
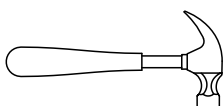
G  08
Ø6,0 x 30mm

H  02
10 x 10

L  02

V  01

TOOLS REQUIRED

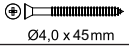
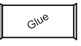


STEP 7

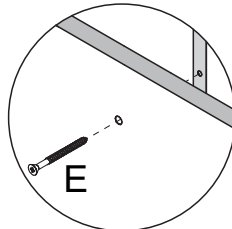
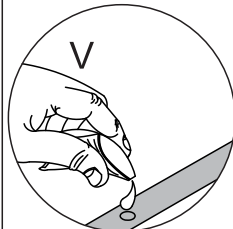
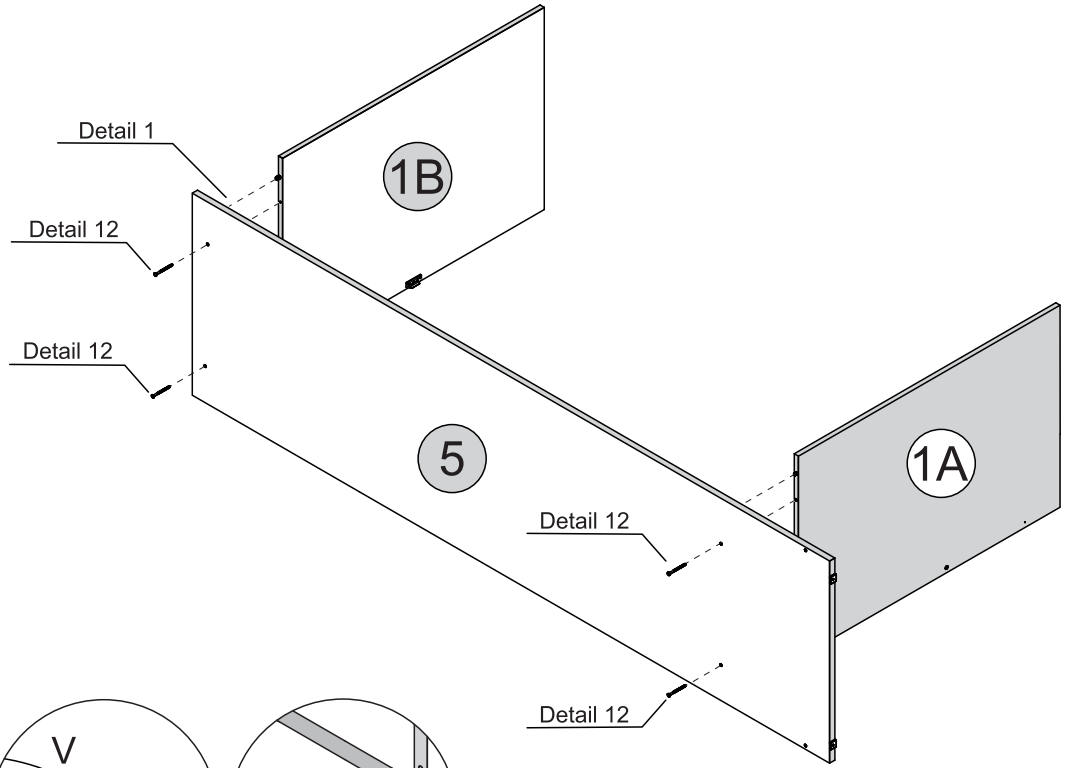
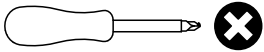
PARTS REQUIRED

- 1A - BASE PANEL x1
- 1B - TOP PANEL x1
- 5 - RIGHT SIDE PANEL x1

HARDWARE REQUIRED

- E  04
Ø4,0 x 45mm
- V  01

TOOLS REQUIRED



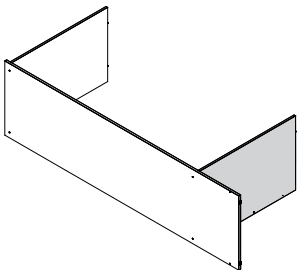
Detail 1

Detail 12

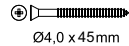
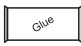
STEP 8

PARTS REQUIRED

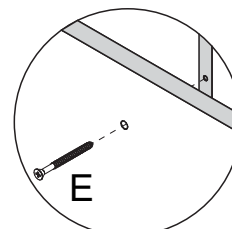
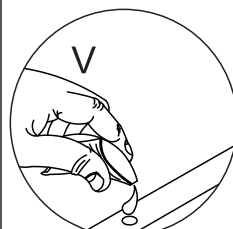
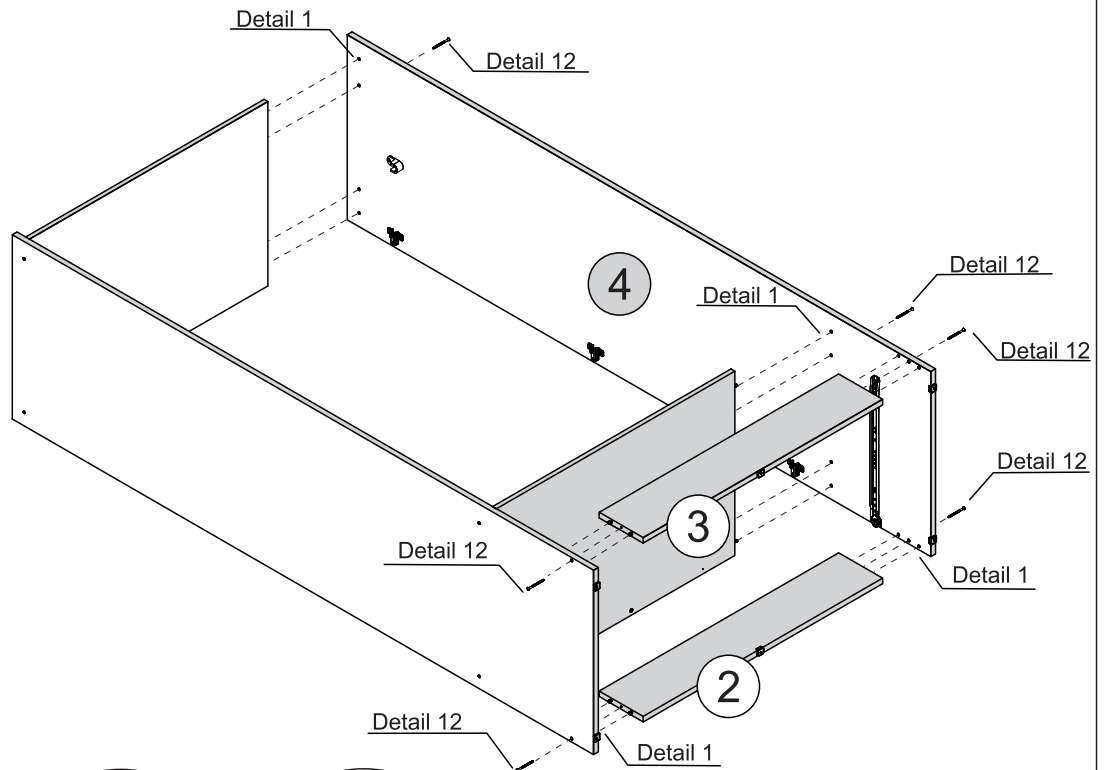
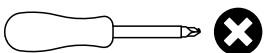
- 2 - FRONT BASEBOARD x1
- 3 - BACK BASEBOARD x1
- 4 - LEFT SIDE PANEL x1



HARDWARE REQUIRED

- E  08
Ø4,0 x 45mm
- V  01

TOOLS REQUIRED



Detail 1

Detail 12

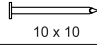
STEP 9

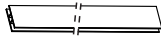
PARTS REQUIRED

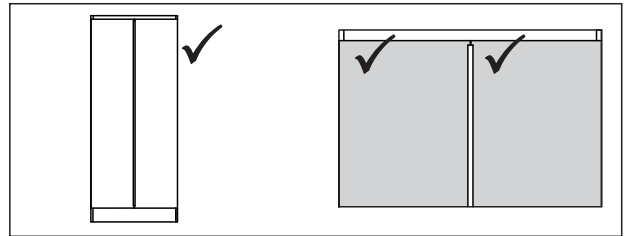
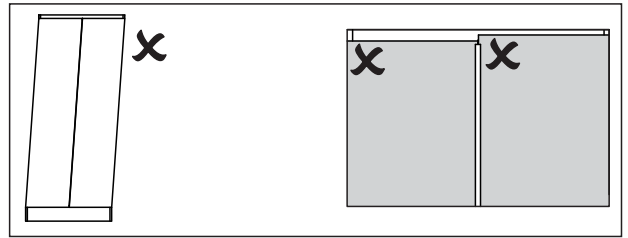
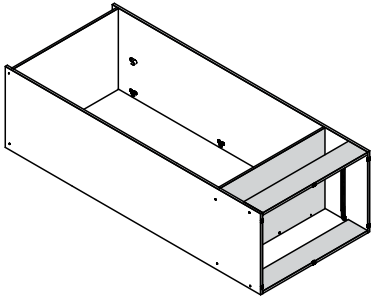
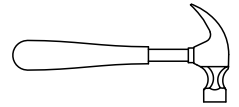
HARDWARE REQUIRED

TOOLS REQUIRED

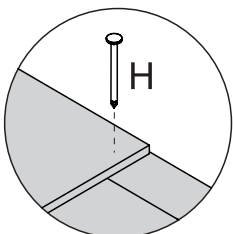
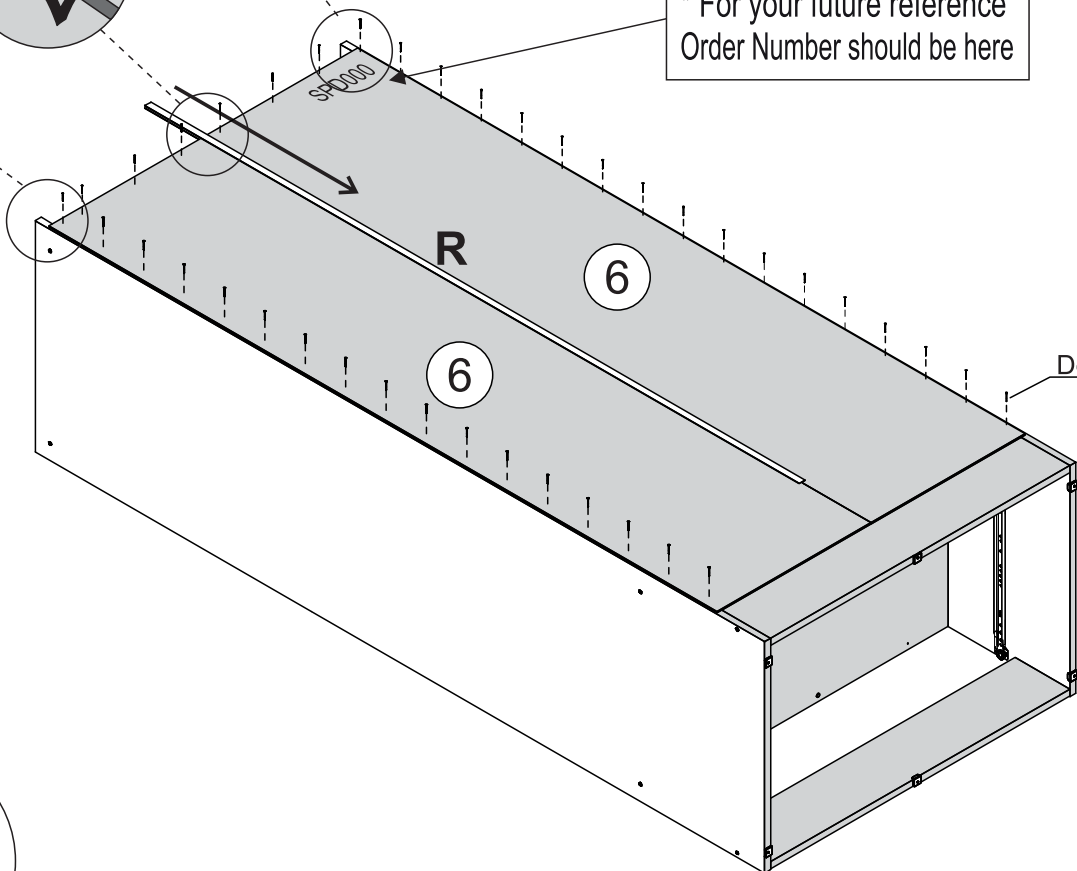
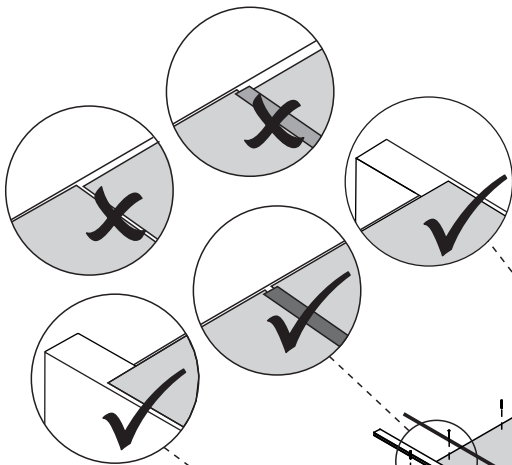
6 - BACK PANEL x2

H  40

R  01



* For your future reference
Order Number should be here

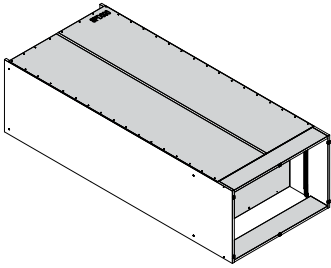


Detail 13

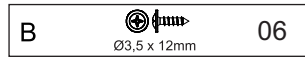
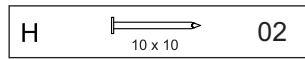
STEP 10

SEC/SW/03/21/DM1

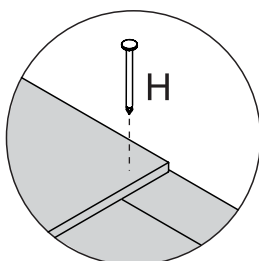
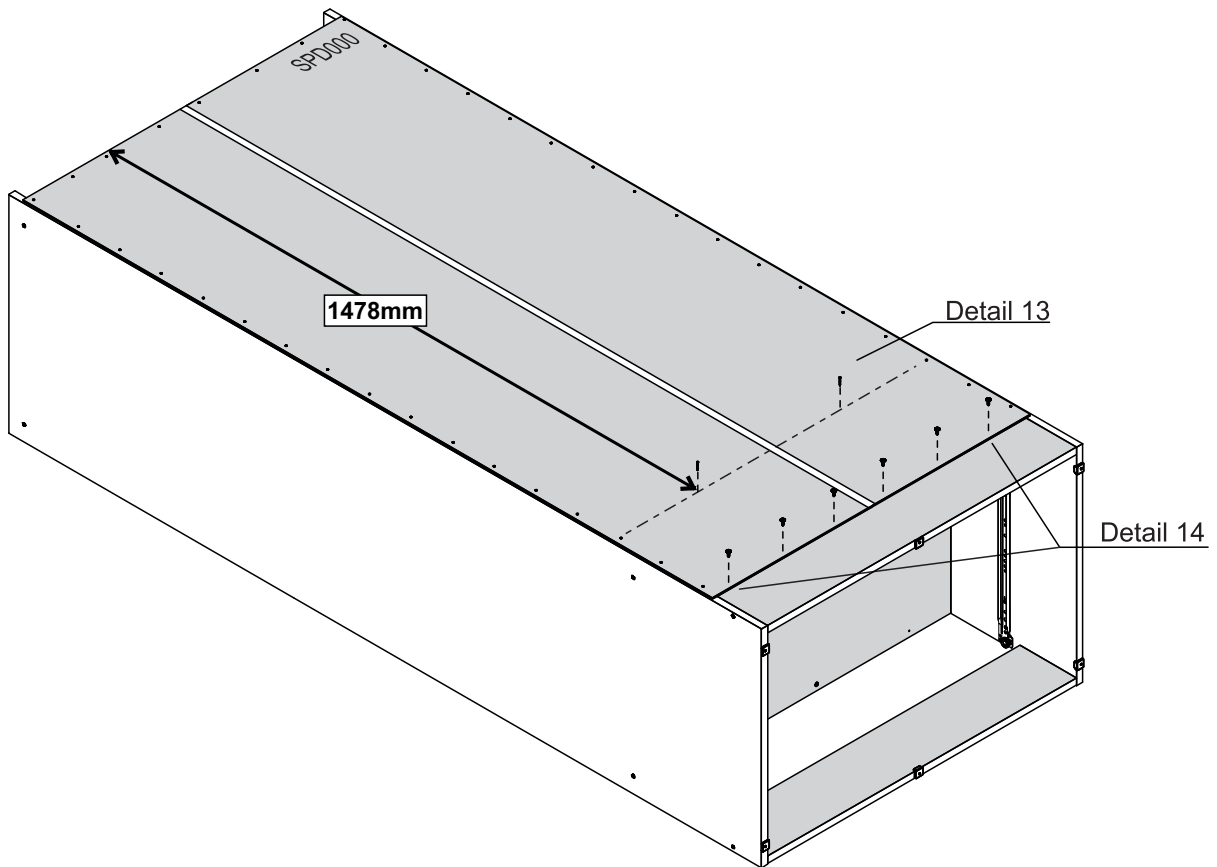
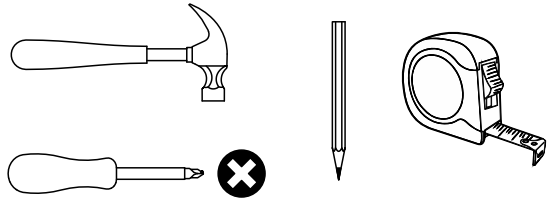
PARTS REQUIRED



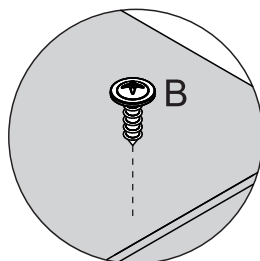
HARDWARE REQUIRED



TOOLS REQUIRED



Detail 13

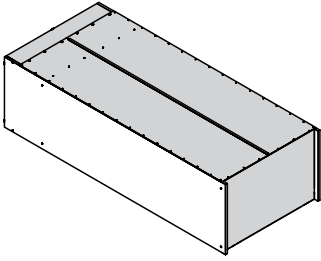


Detail 14

STEP 11

PARTS REQUIRED

7 - FRAME x1

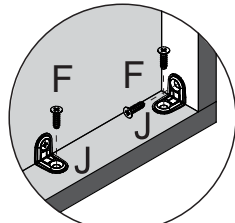
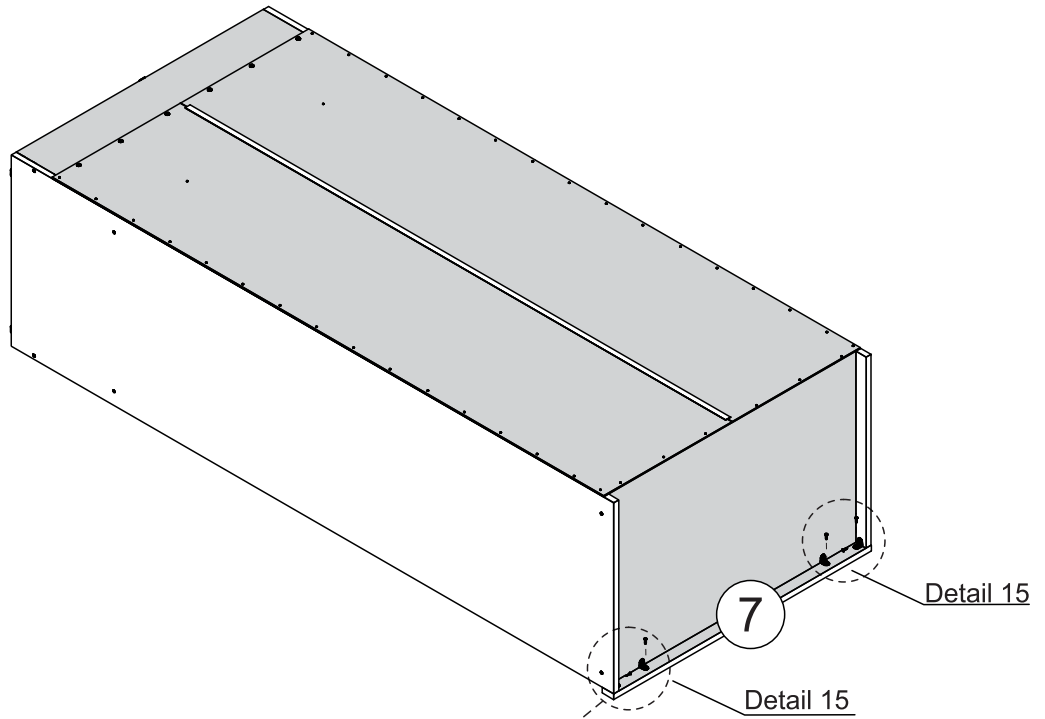
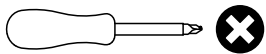


HARDWARE REQUIRED

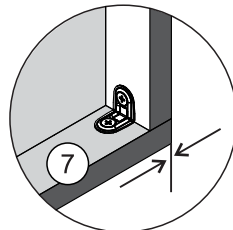
J  02

F  06
Ø4,0 x 12mm

TOOLS REQUIRED



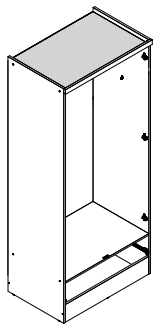
Detail 15



Align corners

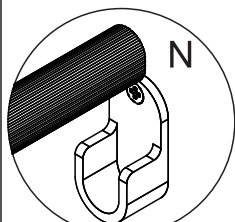
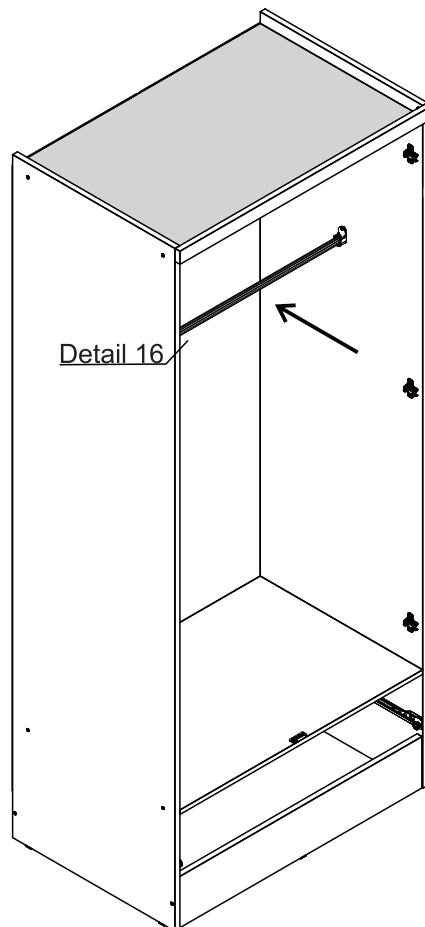
STEP 12

PARTS REQUIRED



HARDWARE REQUIRED

N  01




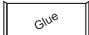

Detail 16

STEP 13

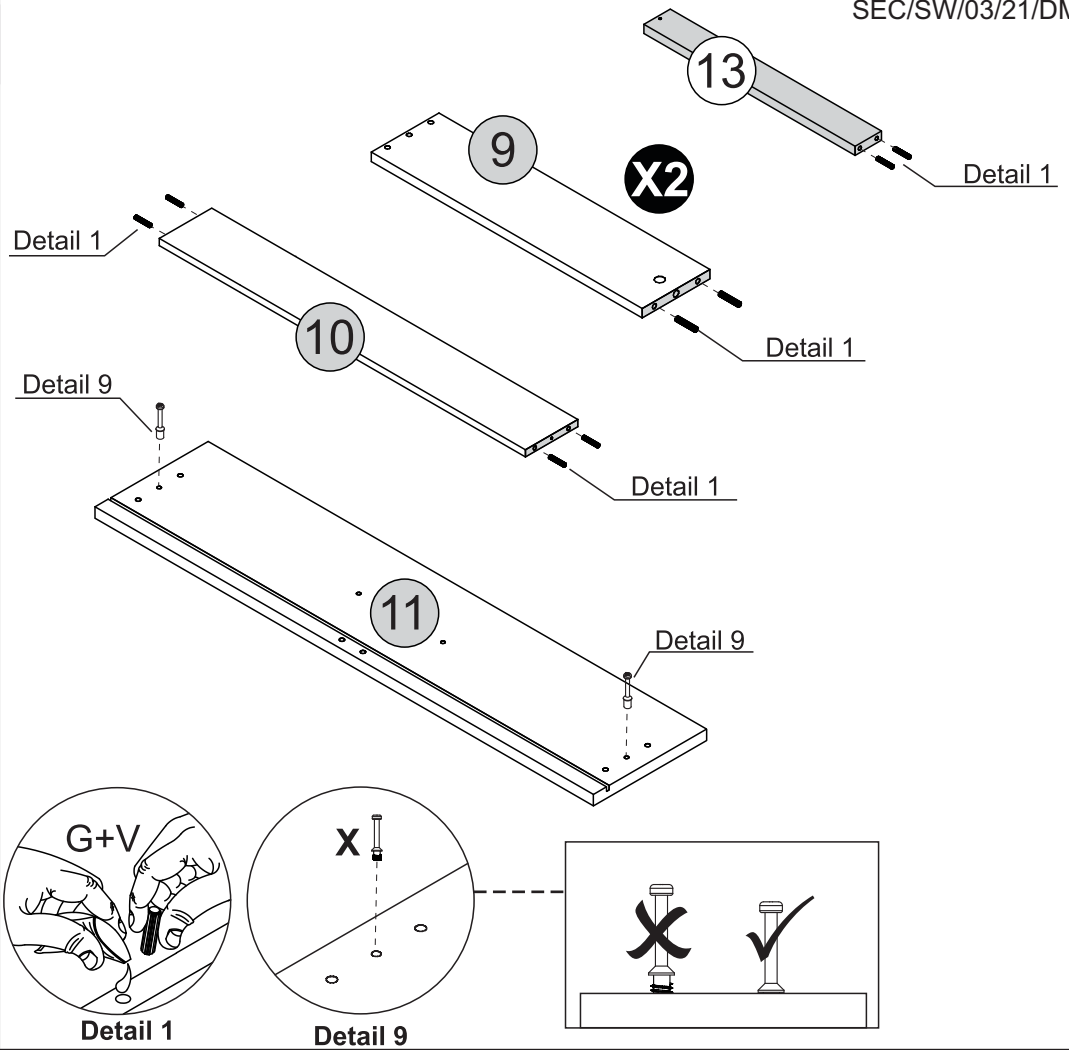
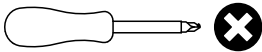
PARTS REQUIRED

- 9 - DRAWER SIDE x2
- 10 - DRAWER BACK PANEL x1
- 11 - DRAWER FRONT x1
- 13 - DRAWER BOTTOM SUPPORT BAR x1

HARDWARE REQUIRED

- G  10
Ø6,0 x 30mm
- V  01
Glue
- X  02

TOOLS REQUIRED




STEP 14

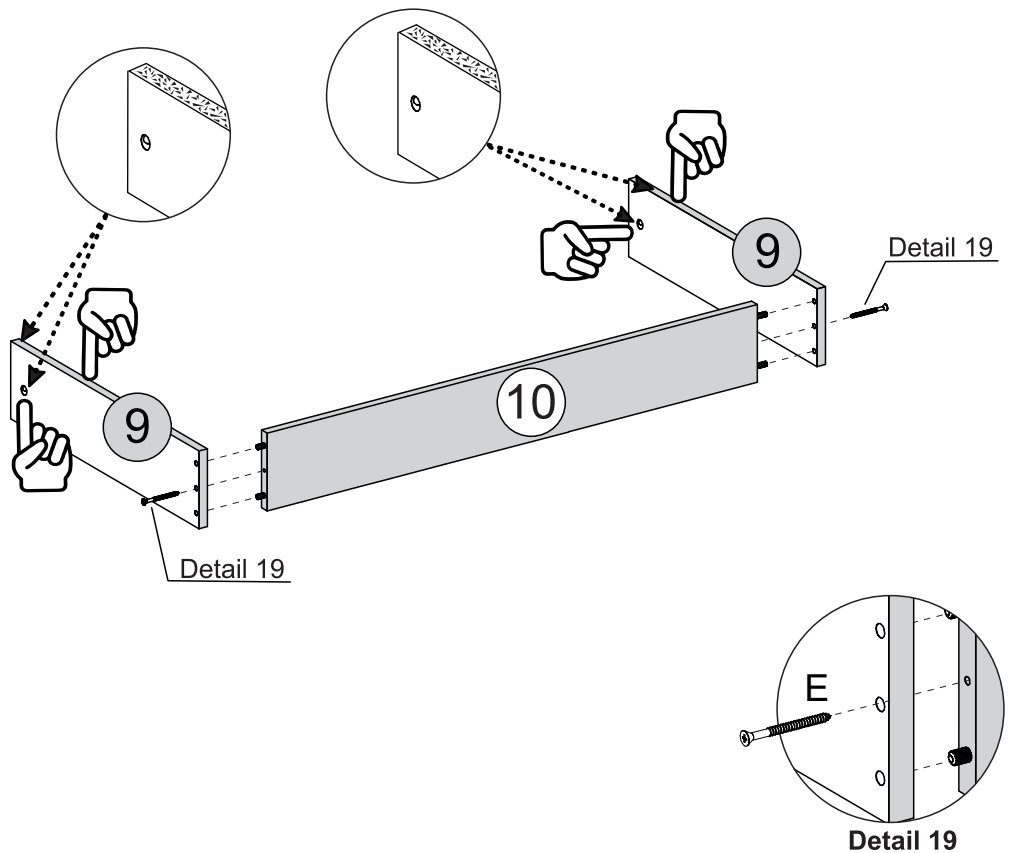
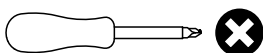
PARTS REQUIRED

- 9 - DRAWER SIDE x2
- 10 - DRAWER BACK PANEL x1

HARDWARE REQUIRED

- E  02
Ø4,0 x 45mm

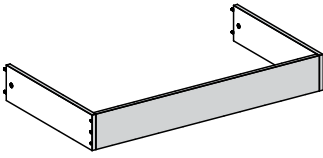
TOOLS REQUIRED



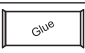
STEP 15

PARTS REQUIRED

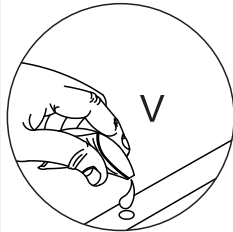
11 - DRAWER FRONT x1



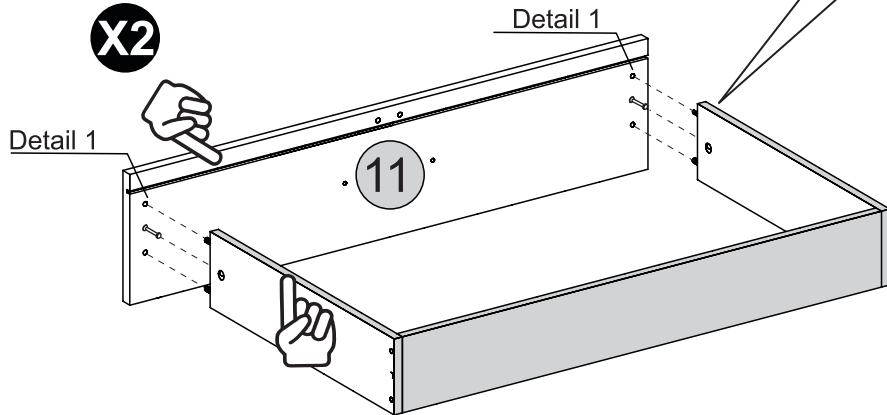
HARDWARE REQUIRED

V  01

TOOLS REQUIRED

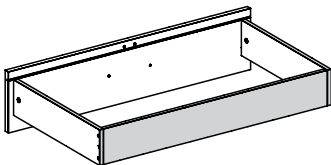


Detail 1



STEP 16

PARTS REQUIRED

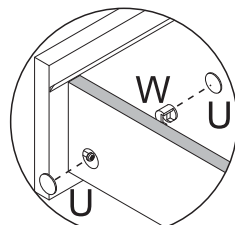
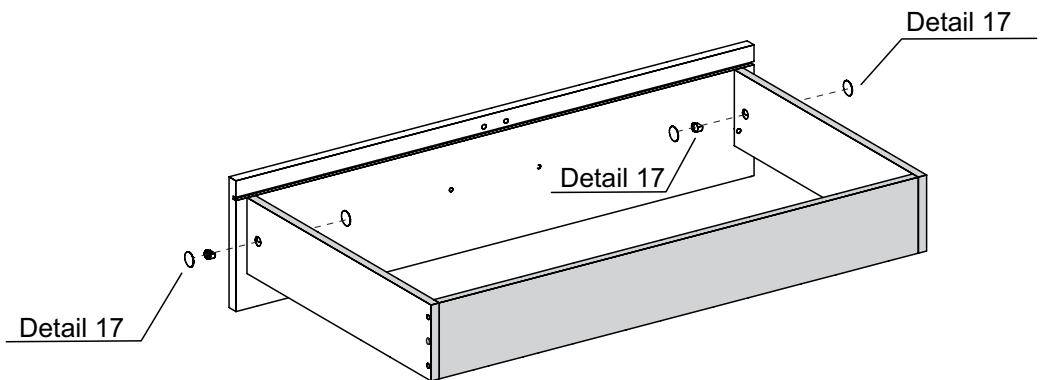
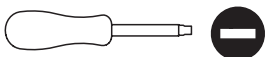


HARDWARE REQUIRED

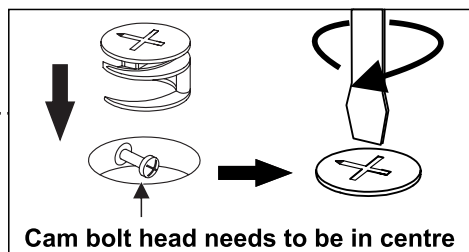
U  04

W  02

TOOLS REQUIRED



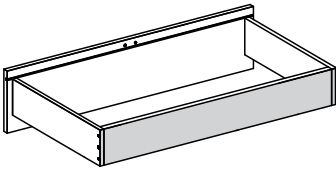
Detail 17



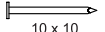
STEP 17

PARTS REQUIRED

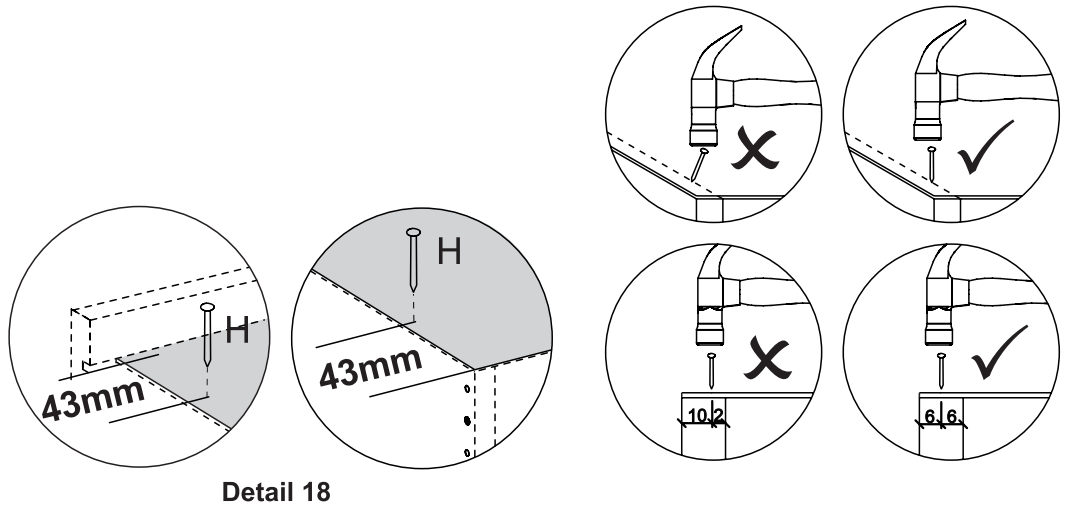
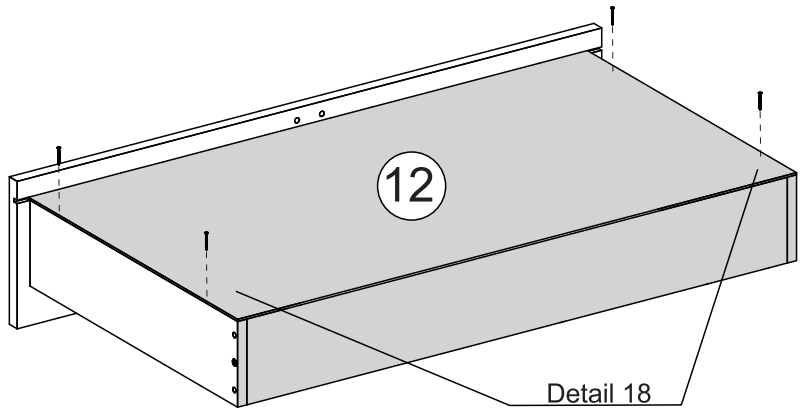
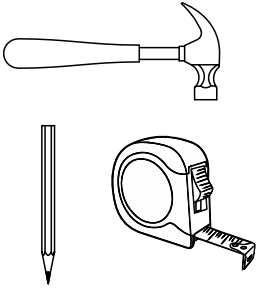
12 - DRAWER BOTTOM x1



HARDWARE REQUIRED

H  04

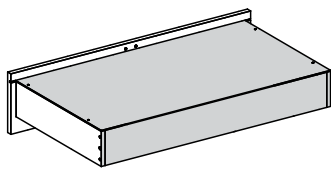
TOOLS REQUIRED



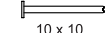
STEP 18

PARTS REQUIRED

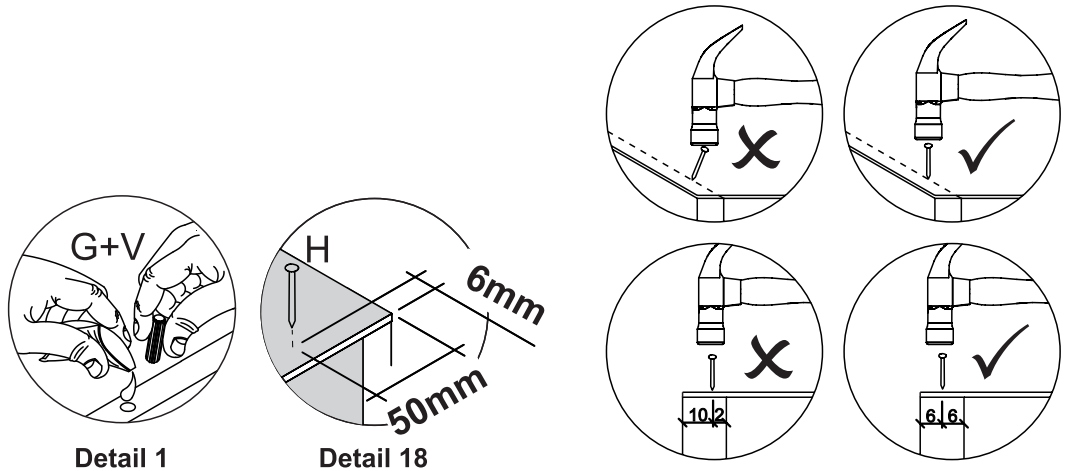
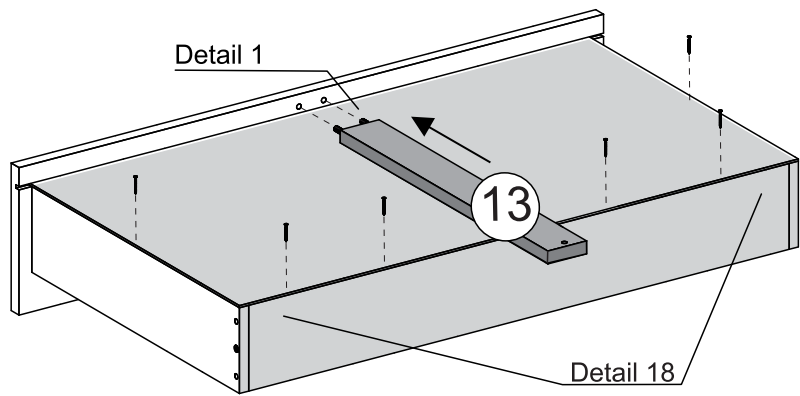
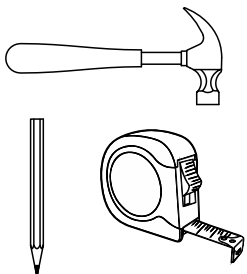
13 - DRAWER BOTTOM SUPPORT BAR x1



HARDWARE REQUIRED

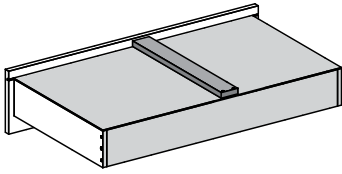
H  06

TOOLS REQUIRED

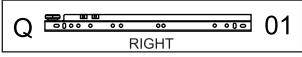
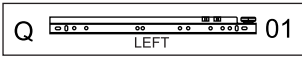
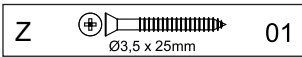
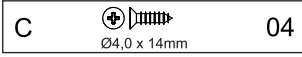


STEP 19

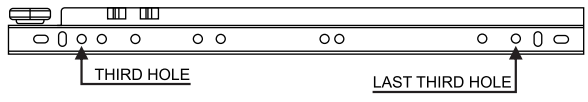
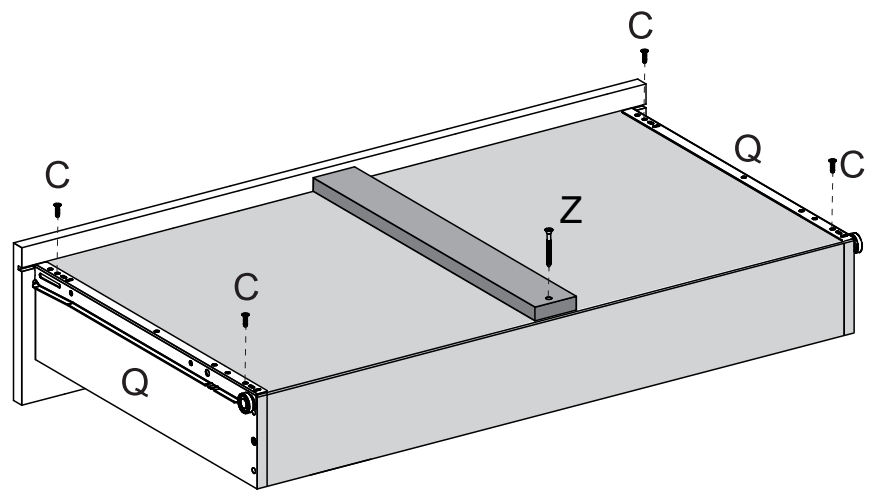
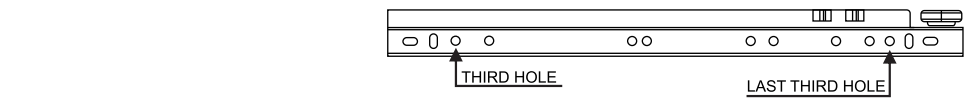
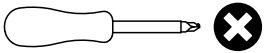
PARTS REQUIRED



HARDWARE REQUIRED



TOOLS REQUIRED

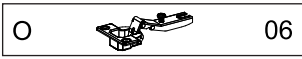
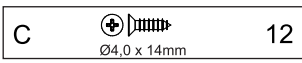


STEP 20

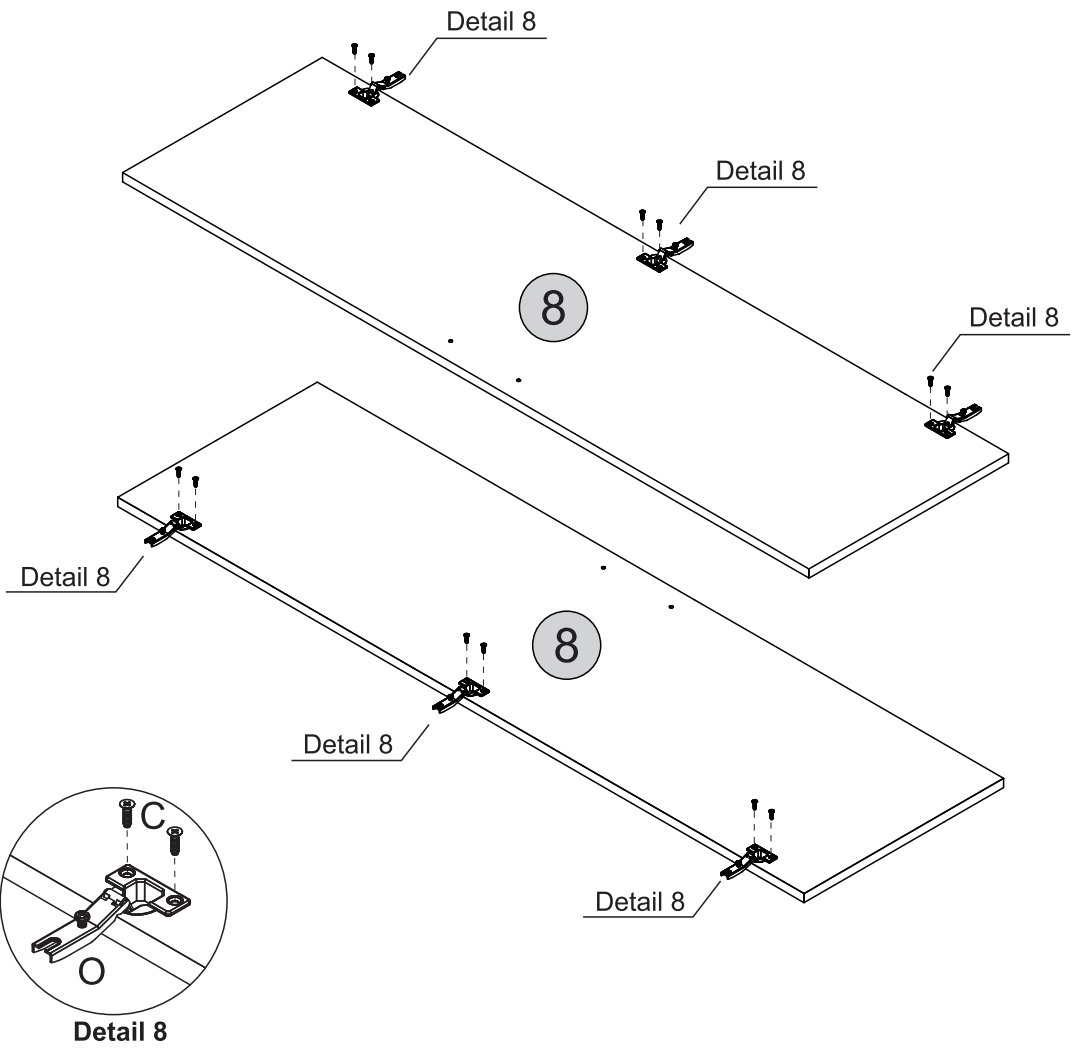
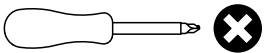
PARTS REQUIRED



HARDWARE REQUIRED



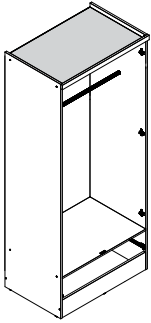
TOOLS REQUIRED



STEP 21

PARTS REQUIRED

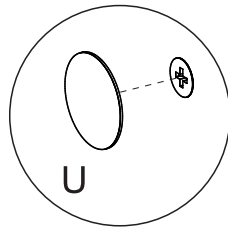
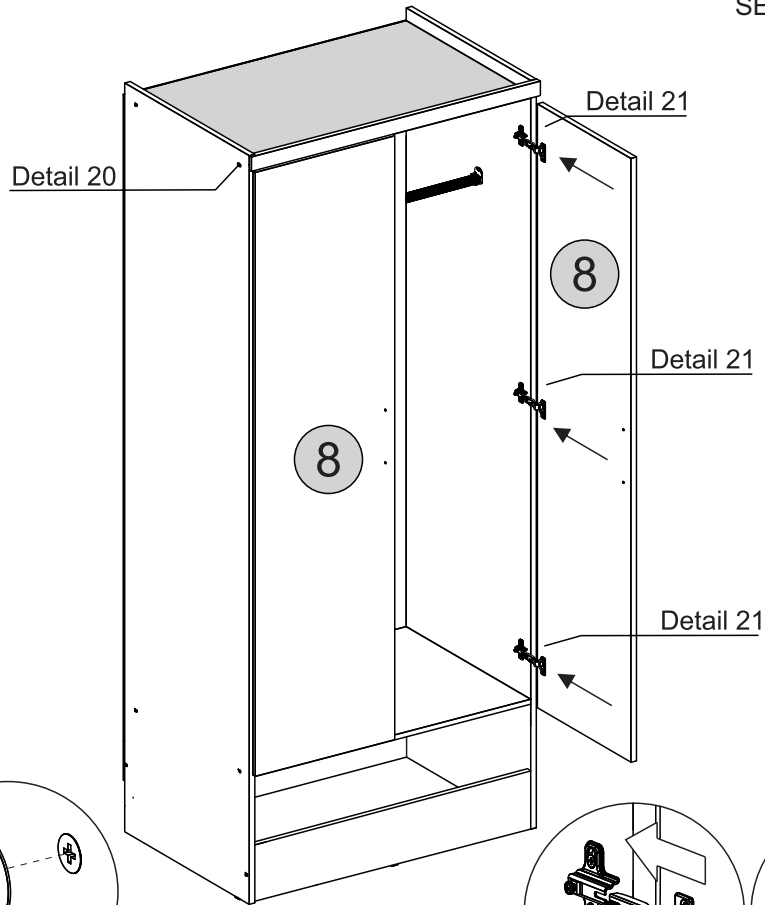
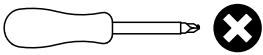
8 - DOOR x2



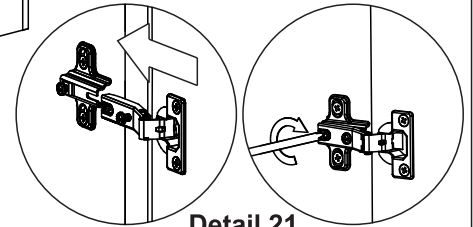
HARDWARE REQUIRED

U  12

TOOLS REQUIRED



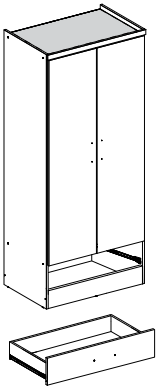
Detail 20




Detail 21

STEP 22

PARTS REQUIRED

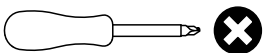


HARDWARE REQUIRED

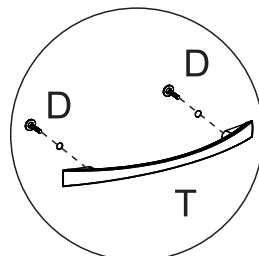
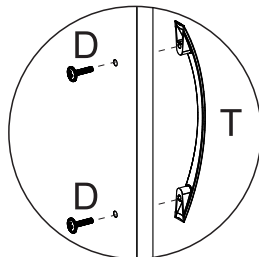
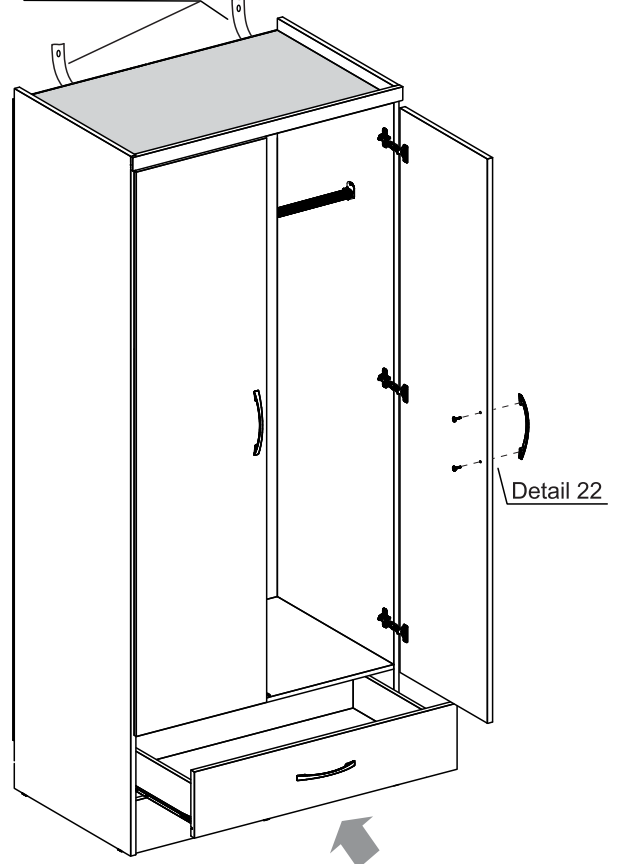
D  06
Ø4.0 x 20mm

T  03

TOOLS REQUIRED



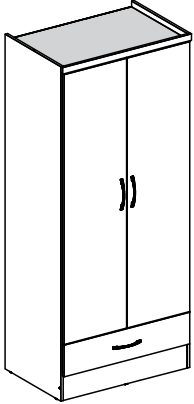

See the last page



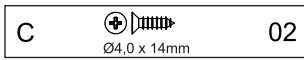
Detail 22

STEP 23

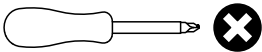
PARTS REQUIRED



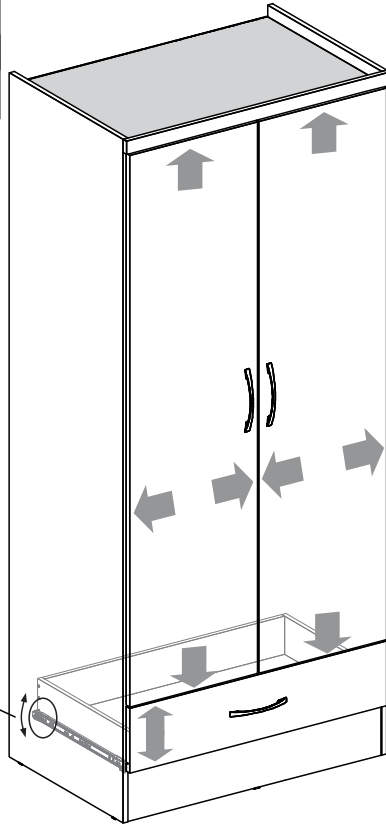
HARDWARE REQUIRED



TOOLS REQUIRED



TIP
If desired, after assembly use an alcohol cleaner to erase the number printed on the parts.

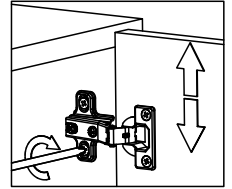


Detail 23

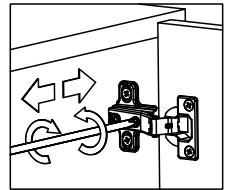
Drawer Adjustment **Drawer Lock**

Detail 23

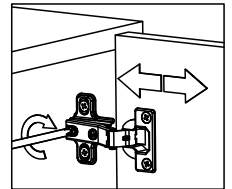
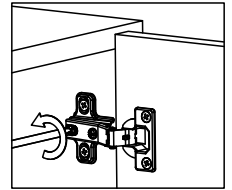
Height Adjustment



Internal Adjustment



Depth Adjustment

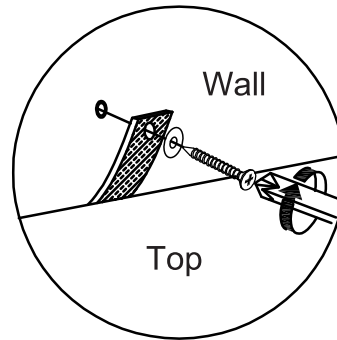
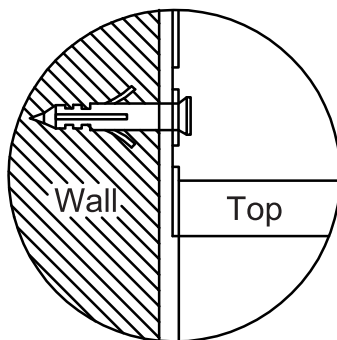
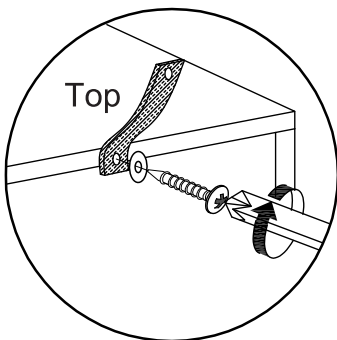


WARNING

Serious or fatal injuries can occur from furniture tipping over. To prevent the furniture from tipping over we recommend that it is permanently fixed to the wall.

Wall fixings are not supplied with this product as different wall materials require different types of fixing devices.

Please make sure you use fixings suitable for the walls in your home.



I Flan Head Screw
Ø3,5 x 30mm (2x)

K Washer (4x)

S Strap (2x)