

Birlea

Suppliers of inspiration

Assembly Instructions

Thank you for
purchasing a
Birlea product.

For a chance to win a *Love 2 Shop* voucher simply post a picture of your new product on your preferred social channels tagging Birlea Furniture and using the hashtag **#ShareYourStyle** and **#Birlea**. One winner will be selected at random each month.

To view our full terms and conditions please visit our website. www.birlea.com

Are you happy with your purchase?

Yes: That's great, we would love to hear more from you. Please leave us a review on our social media channels or Trustpilot. Your feedback will be greatly appreciated.

No: If for any reason there is something missing, indifferent or incorrect with your order, please contact the retailer you purchased the item from. We will work with the retailer to resolve your issue as quickly as possible.



www.birlea.com

ASSEMBLY INSTRUCTIONS
HAMPSTEAD DRAWER CHEST OAK

IMPORTANT : READ THESE INSTRUCTIONS CAREFULLY BEFORE ATTEMPTING TO ASSEMBLE OR USE YOUR HAMPSTEAD DRAWER CHEST OAK.

PLEASE KEEP THESE INSTRUCTIONS FOR FUTURE REFERENCE.

ASSEMBLY:

Assembly should be carried out with this item laying flat, not standing upright.

Assemble on a soft, clean surface to prevent damages.

To erase the numbers printed on the pieces, use the rubber inside the accessories pack.

HEALTH & SAFETY:

DO NOT use this product if any parts are missing, damaged or worn.

DO NOT use this product unless all fixings are secured.

Always use on a level, even surface.

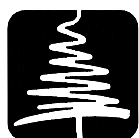
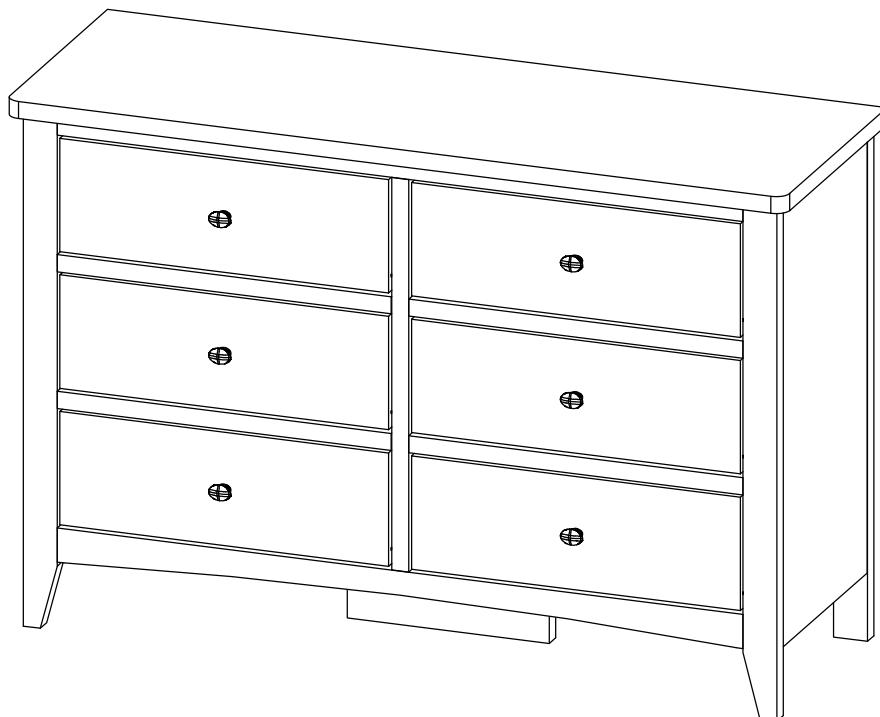
CARE & MAINTENANCE:

Periodically check all screws & fixings to ensure they are secure.

DO NOT push this product as this will cause damage.

Always lift this product with two people to repositions.

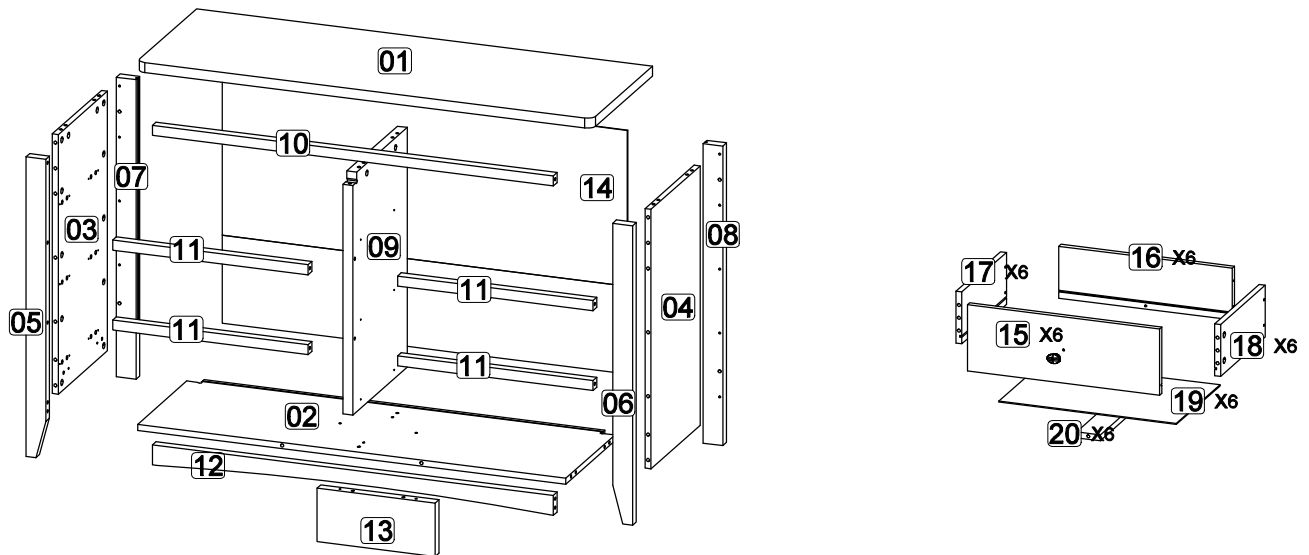
Keep any sharp objects away from this product.



Birlea





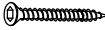










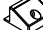


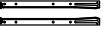

Suppliers of inspiration

www.birlea.com

**Parts List**

Part	Description	Box	Qty
01	Top panel	1	1
02	Bottom panel	2	1
03	Side panel (Left)	2	1
04	Side panel (Right)	2	1
05	Front leg (Left)	1	1
06	Front leg (Right)	1	1
07	Back leg (Left)	1	1
08	Back leg (Right)	1	1
09	Center panel	2	1
10	Front bar 1	1	1
11	Front bar 2	1	4
12	Leg panel	1	1
13	Center leg panel	1	1
14	Back panel	1	1
15	Drawer front	2	6
16	Drawer back	1	6
17	Drawer side (Left)	1	6
18	Drawer side (Right)	1	6
19	Bottom drawer	2	6
20	Drawer bone	2	6

Hardware List (BOX 2)

Part	Description	Qty
A1	Cam lock 	68
A2	Minifix screw 	68
A3	Plastic cap 	68
B	M8 x 30mm Wood Dowel 	49
C	M6 x 50mm CSK Cap Wood screw 	4
D	Allen key M4 	1
E	M3.5 x 16mm C.B Screw 	96
F	M4 x 20mm C.B Screw 	24
G	M4 x 38mm C.B Screw 	24
H	PVC nail leg 5/8 	6
I	Handle screw M4 x 22mm 	6
J	Knob 5166028 SS 	6
K	S125 - Double hole fitting 	8
L	One hole L bracket (2mm) 	6
M	PVC Block 	12
N1	Stud 192 	8
N2	Stud 192 screw 	8
O1	12" Drawer slide (Left / Right) 	12
O2	12" Drawer slide (Left / Right) 	12
P	8" x 1" PP tape 	2

**** You will need a small mallet and a screwdriver for assembly.**

**** Some screws and wooden dowel may remain.**

**** Note : To secure the item to the wall we recommend you use wall plugs and screw.**

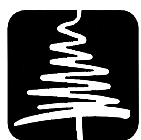
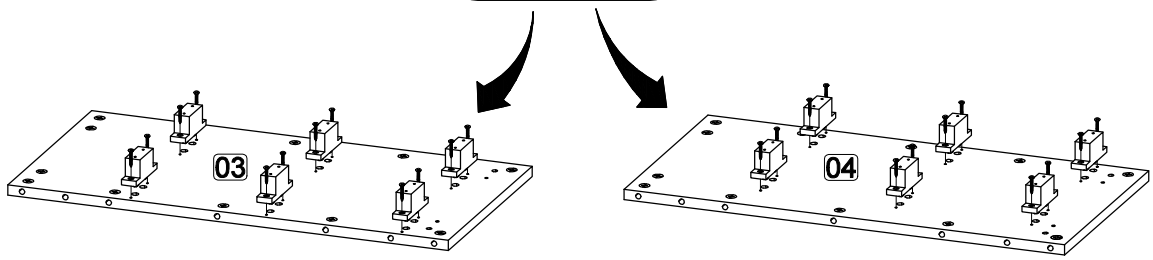
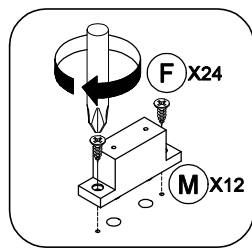
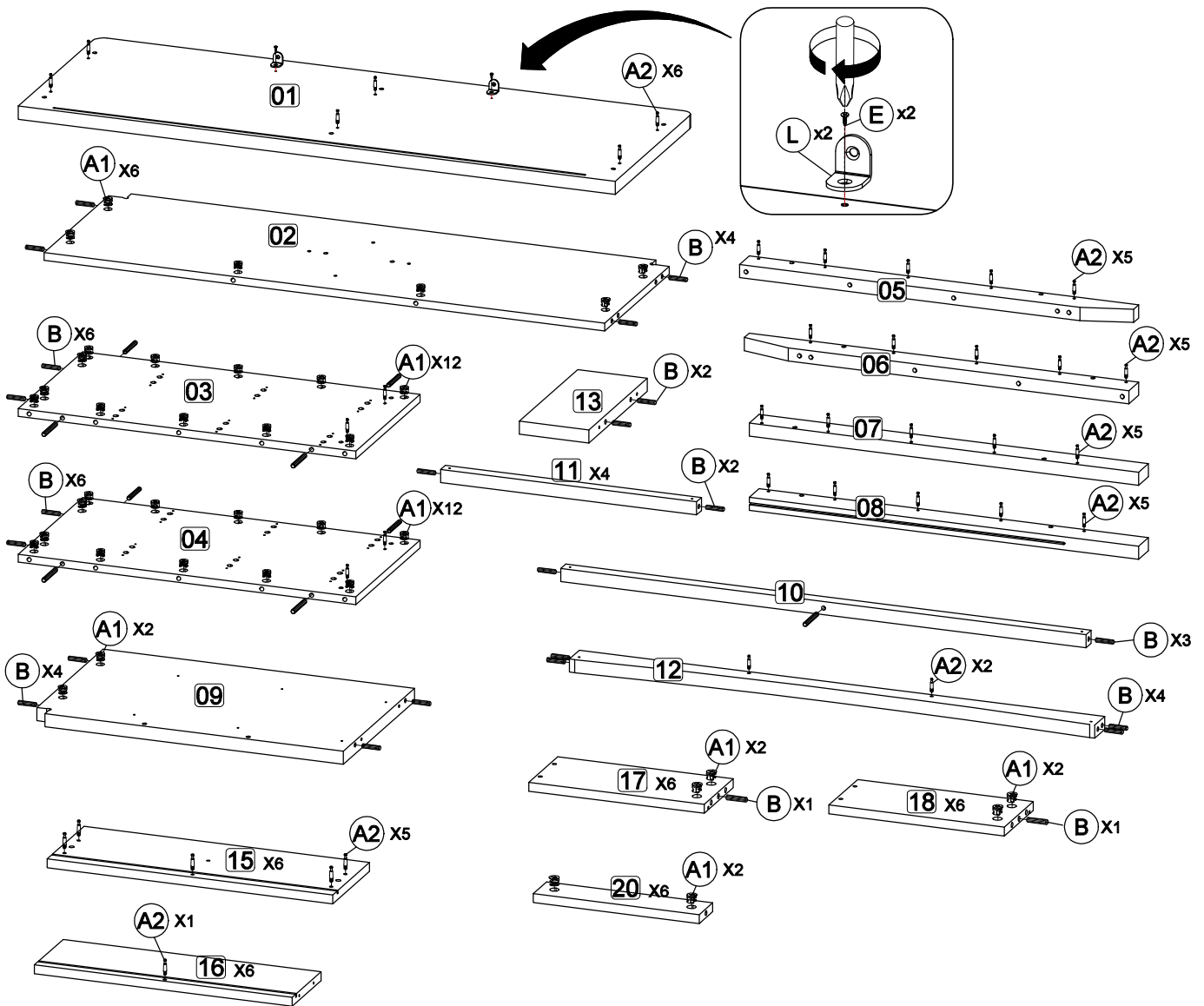
These are not provided in the fixing kit.



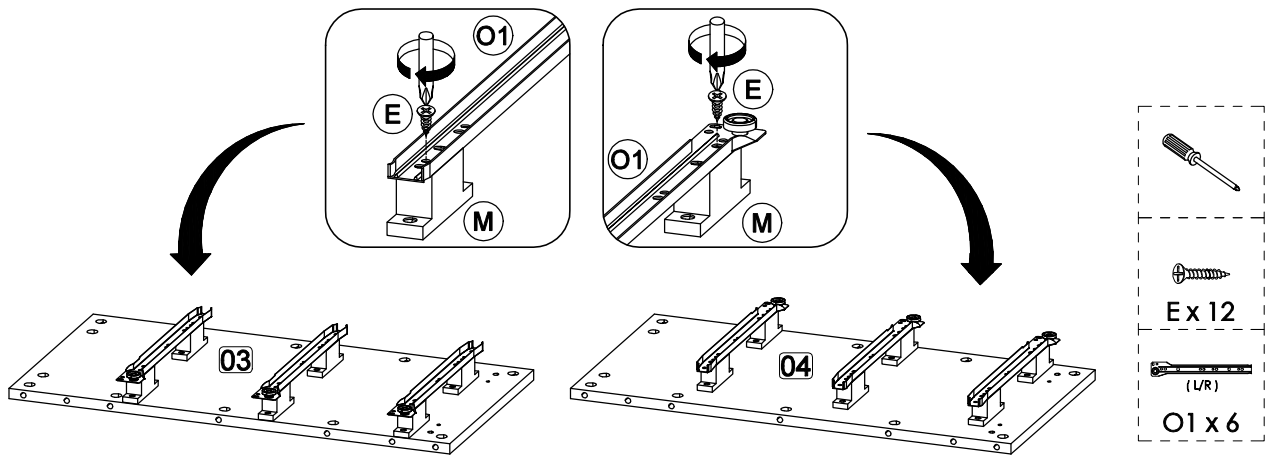
Birlea

Suppliers of inspiration

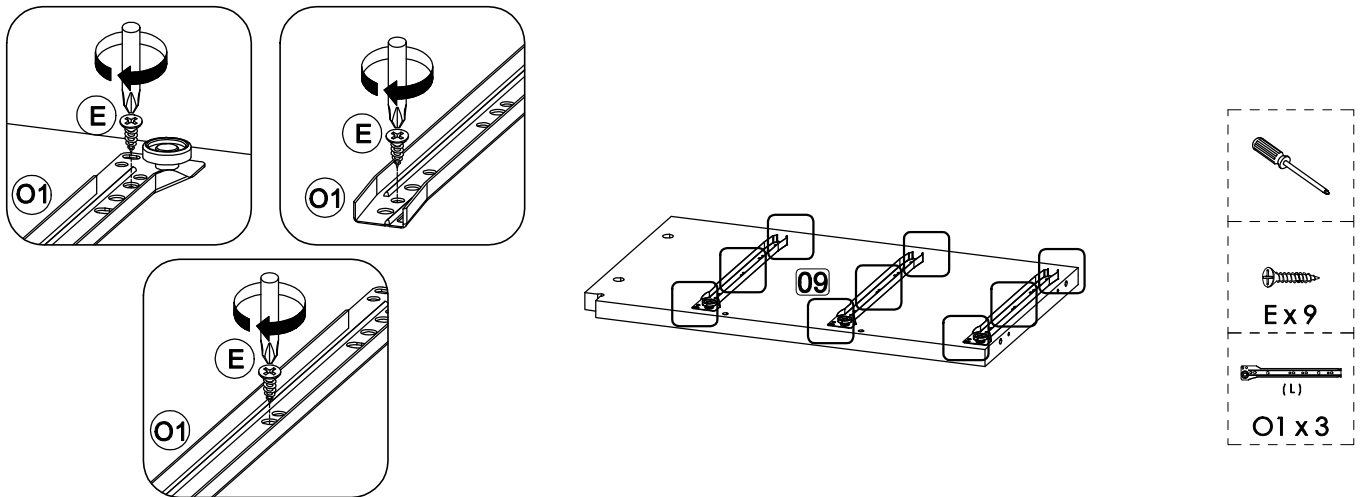
Step 1: Prepare these parts for assembly using hardware parts A1, A2, B, E, L and M.
DO NOT use any power tools as this may damage the frame and will invalidate any claim.



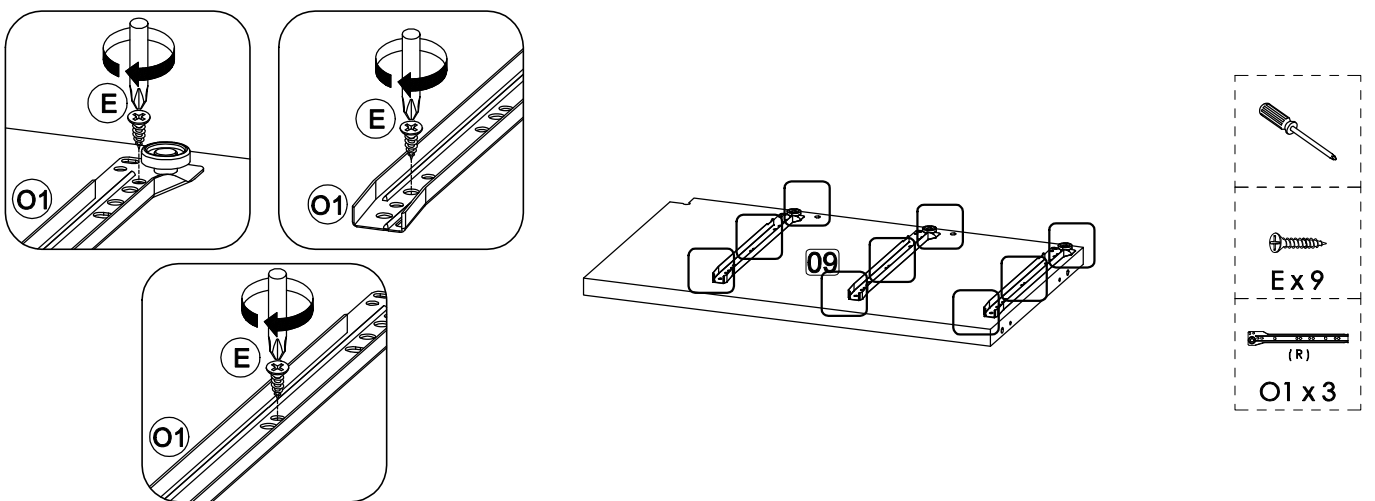
Step 2: Fix hardware O1 onto hardware M by using hardware E.
DO NOT use any power tools as this may damage the frame and will invalidate any claim.



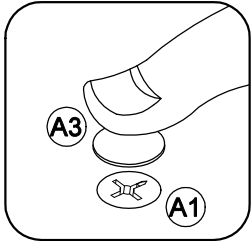
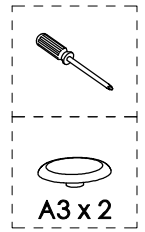
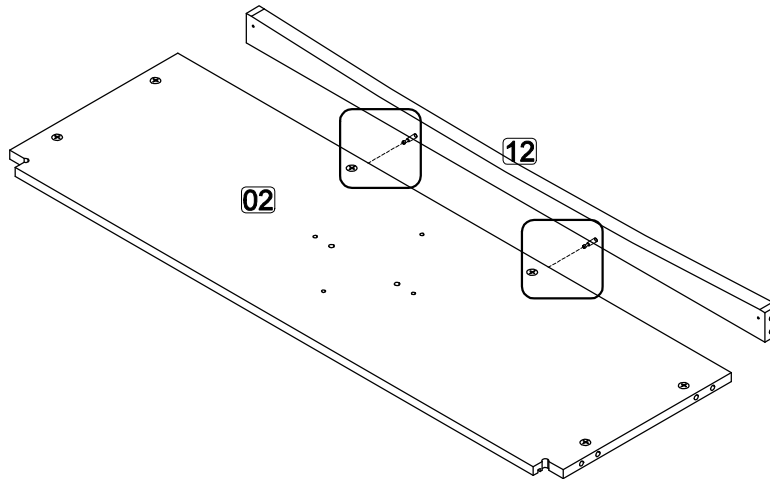
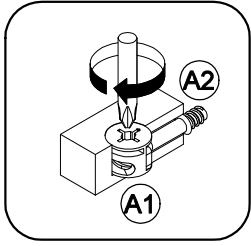
Step 3: Fix hardware O1 onto center panel (9) by using hardware E.
DO NOT use any power tools as this may damage the frame and will invalidate any claim.



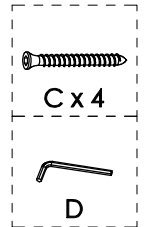
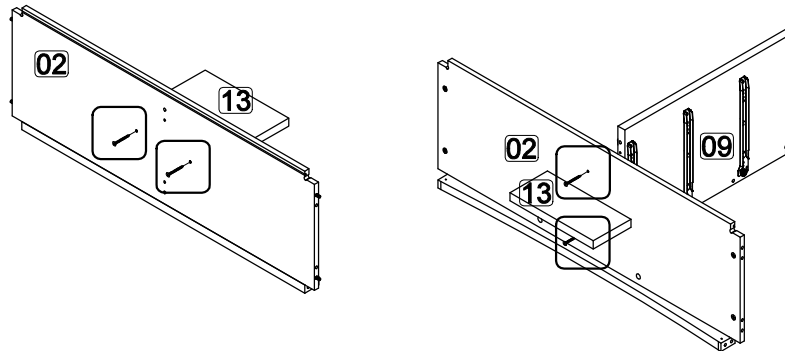
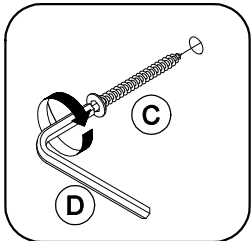
Step 4: Fix hardware O1 onto center panel (9) by using hardware E.
DO NOT use any power tools as this may damage the frame and will invalidate any claim.



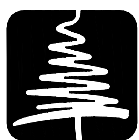
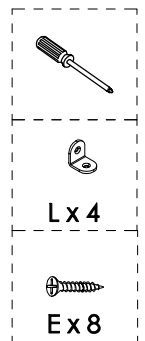
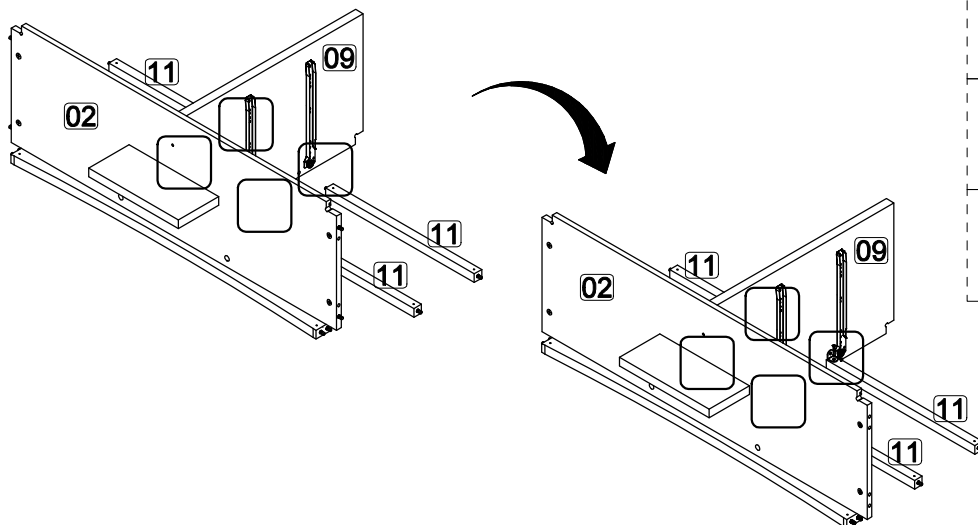
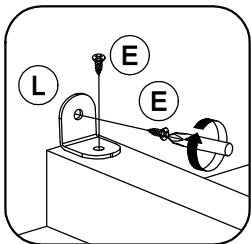
**Step 5: Attach bottom panel (2) to leg panel (12) using hardware A1 and A2 with a screwdriver (not provided).
DO NOT use any power tools as this may damage the frame and will invalidate any claim.**



**Step 6: Attach bottom panel (2) to center leg panel (13) then to center panel (9) using hardware C and D.
DO NOT use any power tools as this may damage the frame and will invalidate any claim.**



**Step 7: Attach front bar (11) to center panel (9) then fix hardware L to front bar (11) and center panel (9) with hardware E and screwdriver (not provided).
DO NOT use any power tools as this may damage the frame and will invalidate any claim.**

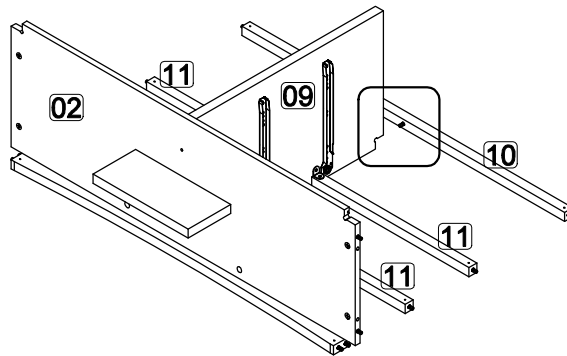


Birlea

Suppliers of inspiration

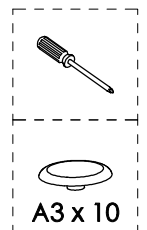
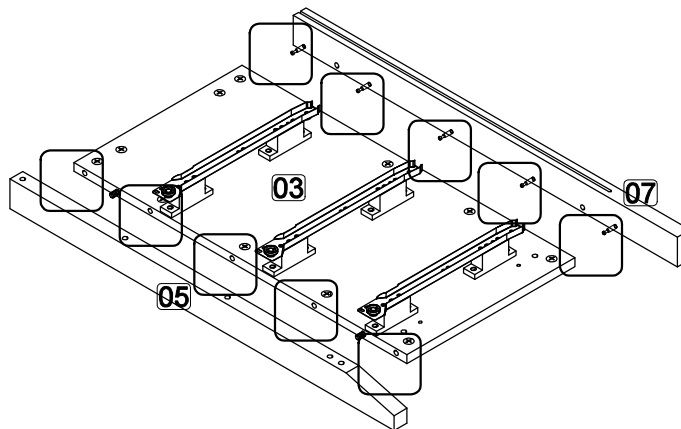
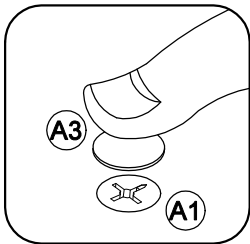
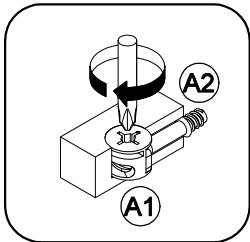
Step 8: Assemble front bar (10) to center panel (9).

DO NOT use any power tools as this may damage the frame and will invalidate any claim.



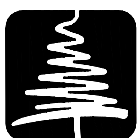
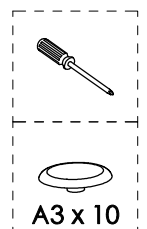
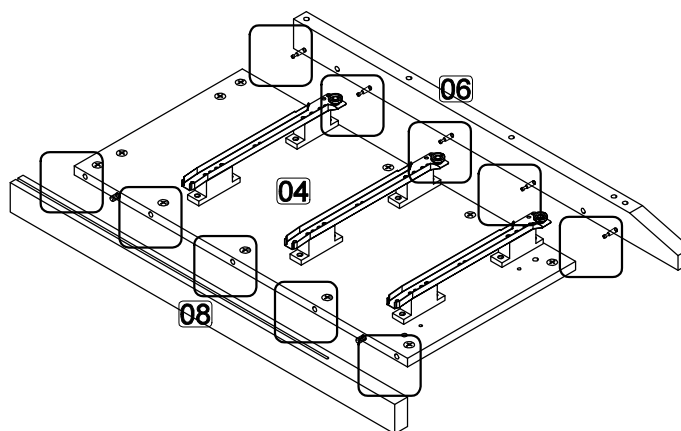
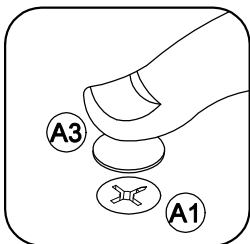
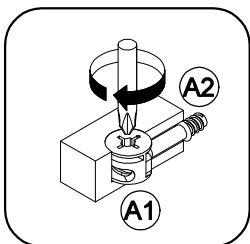
Step 9: Attach front leg (5) and back leg (7) to side panel (3) using hardware A1 and A2 with a screwdriver (not provided).

DO NOT use any power tools as this may damage the frame and will invalidate any claim.



Step 10: Attach front leg (6) and back leg (8) to side panel (4) using hardware A1 and A2 with a screwdriver (not provided).

DO NOT use any power tools as this may damage the frame and will invalidate any claim.

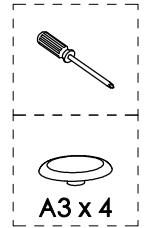
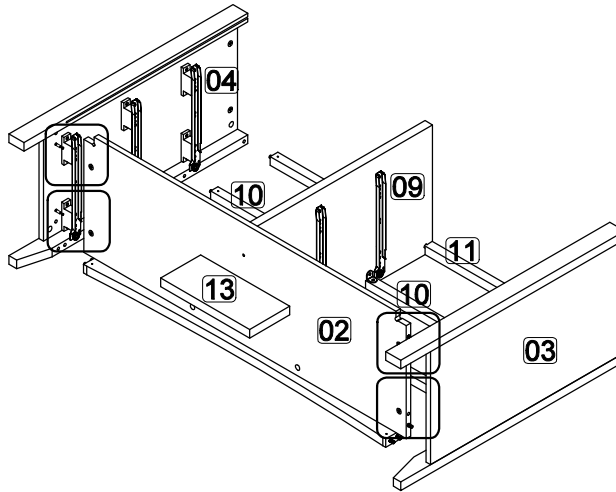
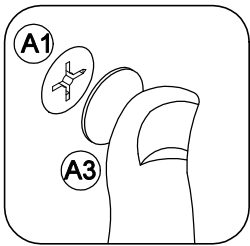
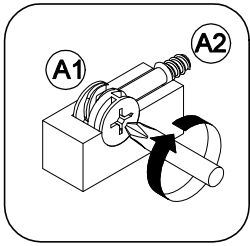


Birlea

Suppliers of inspiration

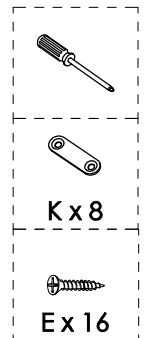
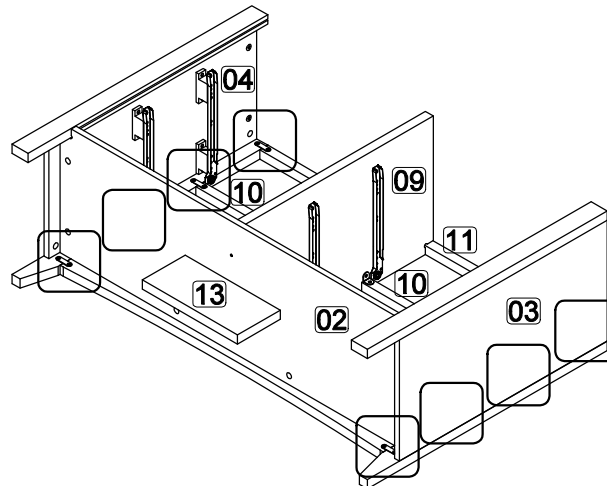
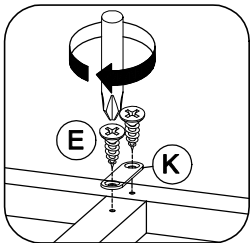
Step 11: Attach side panel (3) and side panel (4) to bottom panel (2), front bar (10) and front bar (11) using hardware A1 and A2 with a screwdriver (not provided).

DO NOT use any power tools as this may damage the frame and will invalidate any claim.



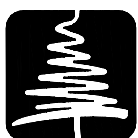
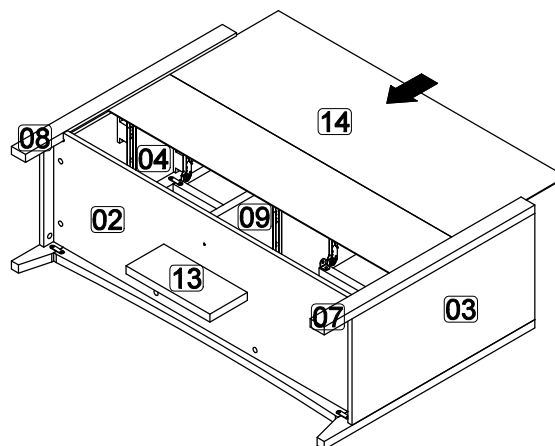
Step 12: Fix hardware K to center panel (9), front bar (10) and front bar (11) with hardware E and screwdriver (not provided).

DO NOT use any power tools as this may damage the frame and will invalidate any claim.



Step 13: Assemble the back panel (14) along the slot at back leg (7) & (8).

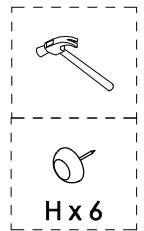
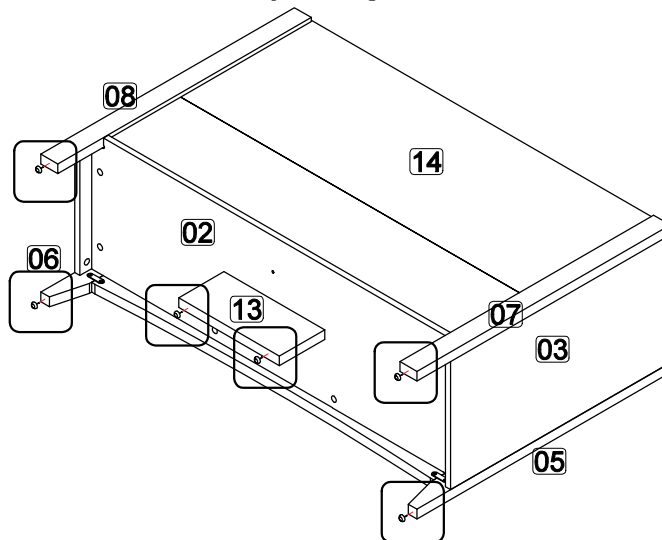
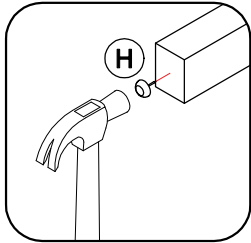
DO NOT use any power tools as this may damage the frame and will invalidate any claim.



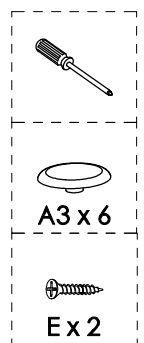
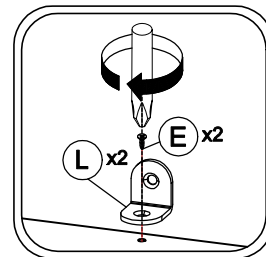
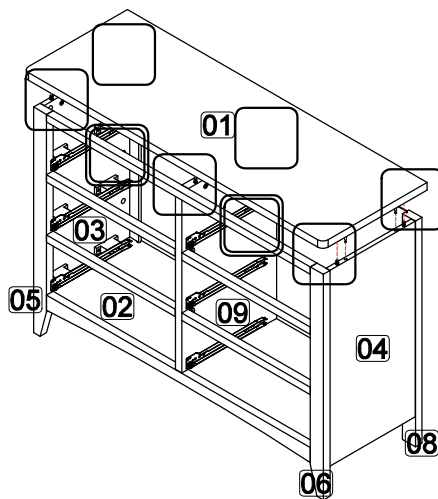
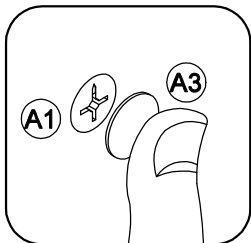
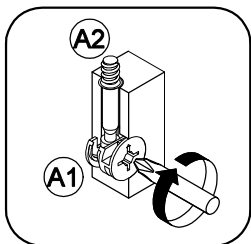
Birlea

Suppliers of inspiration

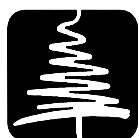
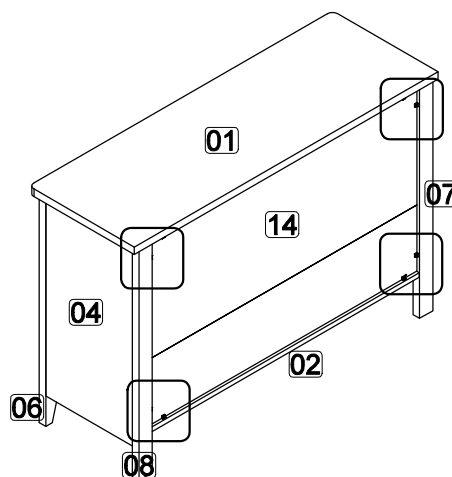
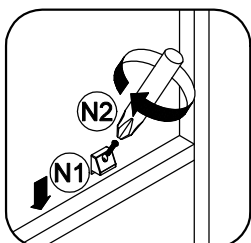
Step 14: Hit hardware H into bottom of front leg (5), (6), back leg (7), (8) and center leg panel (13) with a hammer (not provided).
DO NOT use any power tools as this may damage the frame and will invalidate any claim.



Step 15: Attach top panel (1) to side panel (3), (4) and center panel (9) using hardware A1 and A2 with a screwdriver (not provided), then fix hardware L onto top panel (1) and front bar (10) with hardware E and screwdriver (not provided).
DO NOT use any power tools as this may damage the frame and will invalidate any claim.



Step 16: Attach hardware N1 into top panel (1), bottom panel (2), back leg (7) and (8) using hardware N2 with a screwdriver (not provided).
DO NOT use any power tools as this may damage the frame and will invalidate any claim.



Birlea

Suppliers of inspiration

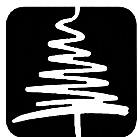
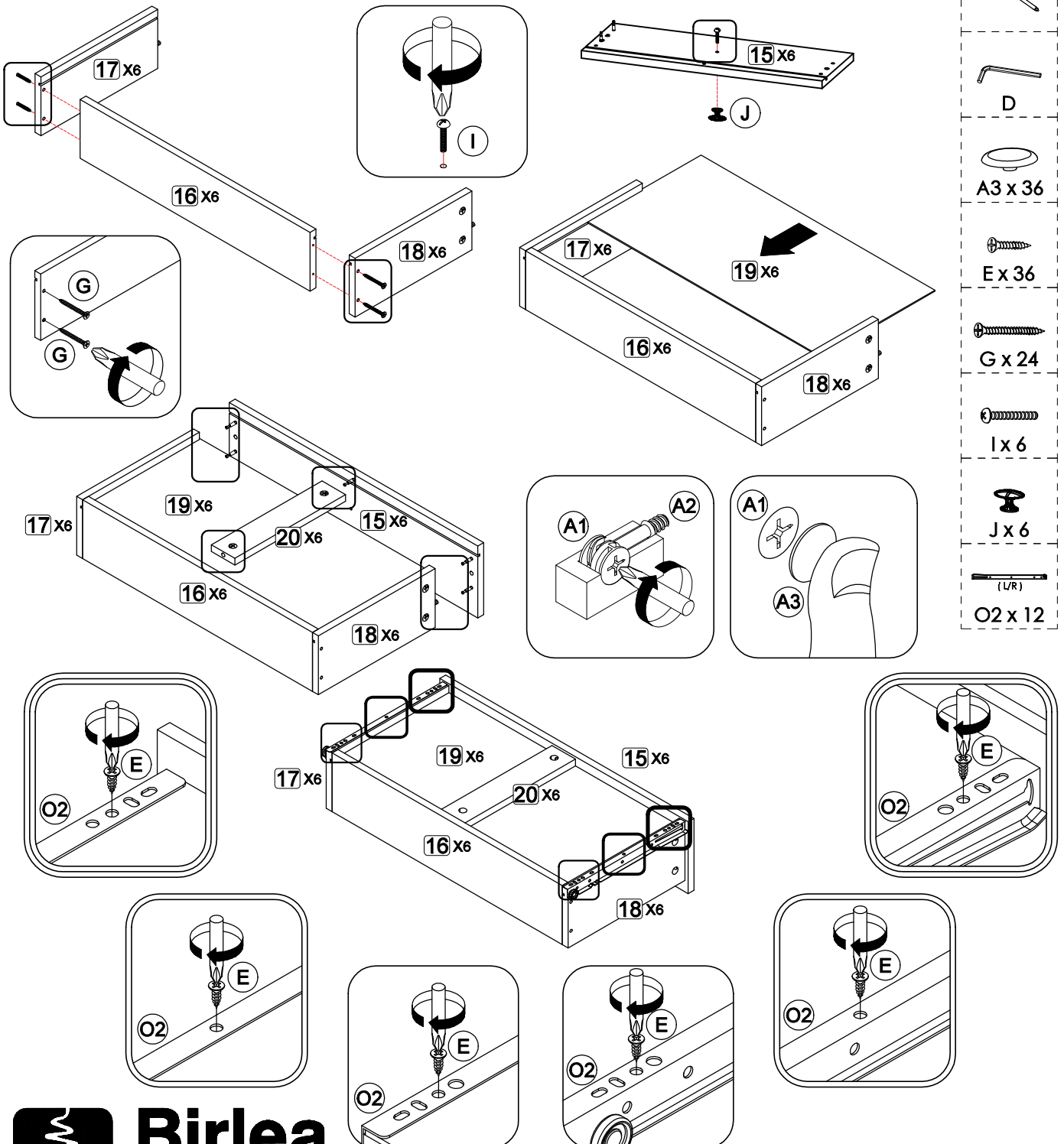
Step 17: Assemble the drawer components using hardware A3, D, E, G, I, J and O2.

In this step only show one of the drawers.

DO NOT use any power tools as this may damage the frame and will invalidate any claim.

Drawer Down

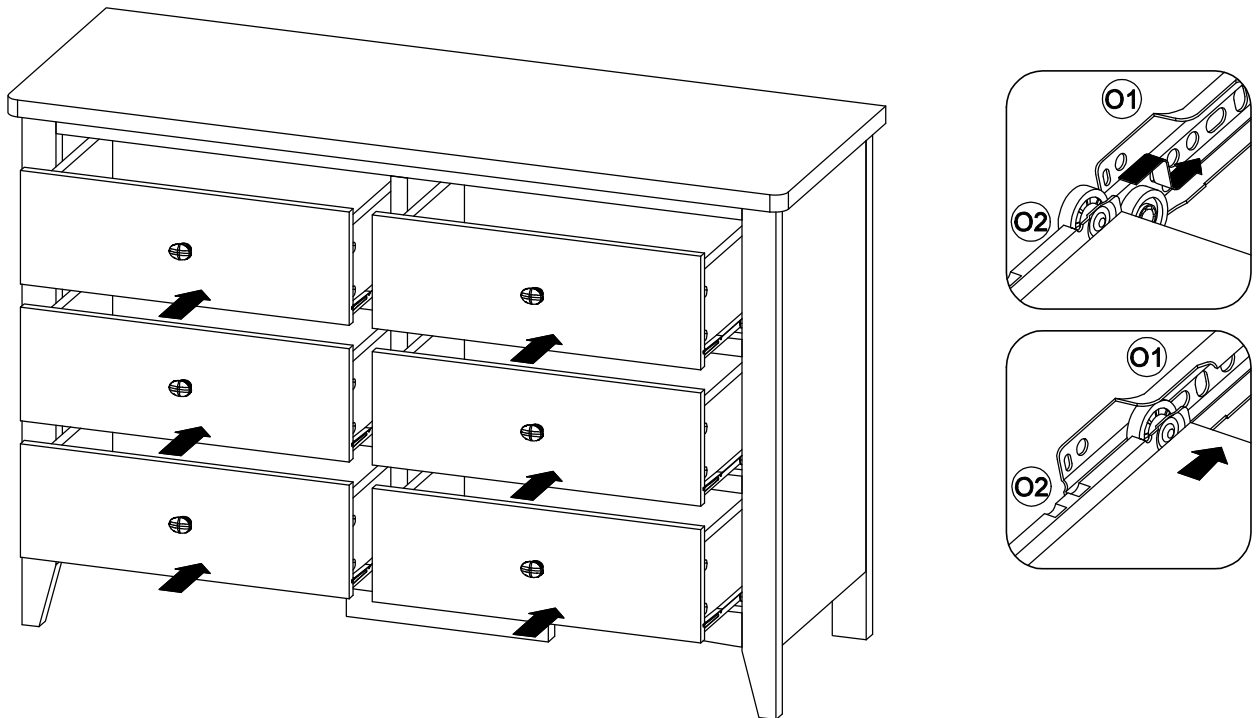
1. Fix hardware J onto panel (15) by using hardware I.
2. Attach drawer side (17) and (18) to drawer back (16) using hardware (G).
3. Slide in the drawer bottom (19).
4. Attach drawer bone (20) to drawer back (16) then attach drawer front (15) to drawer side (17), (18) and drawer bone (20) using hardware A1 and A2 with a screwdriver (not provided).
5. Attach hardware (O2) to drawer sides (17) and (18) using hardware (E).



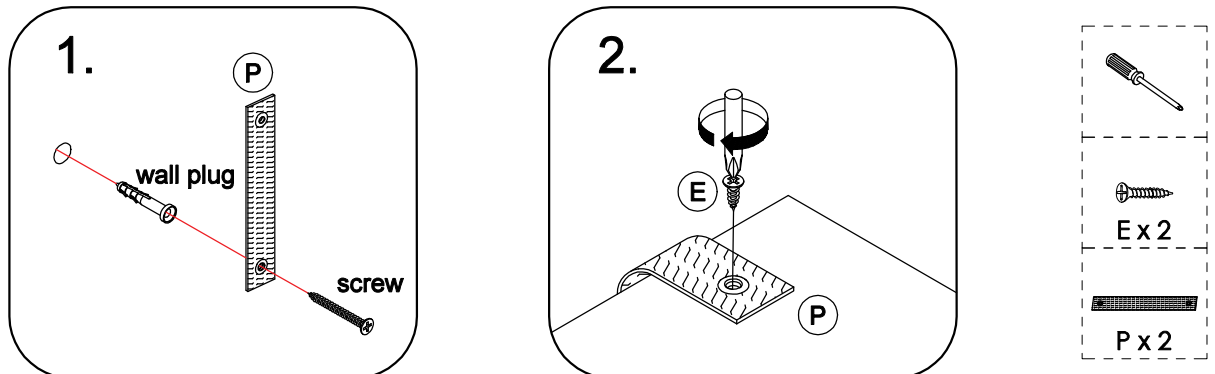
Birlea

Suppliers of inspiration

Step 18: Assemble the drawers in place along the drawer slides.
DO NOT use any power tools as this may damage the frame and will invalidate any claim.



Step 19: To secure the item to the wall use hardware P, screw and wall plug using a screwdriver (not provided). Then attach hardware part P to the panel (1) using hardware E with a screwdriver (not provided).
DO NOT use any power tools as this may damage the frame and will invalidate any claim.



PLEASE NOTE that wall fixings are not supplied as different wall materials require different fixing devices. You must use fixings devices suitable for the type of wall you intend to mount product to. Ensure the head of any screw used has a diameter greater than the mounting hole and the fixing is safe and secure before use.

Birlea Furniture advise you use the hardware P (2 pcs) are provided to further enhance the safety of this product.

Additional Information:

- For complete product information, images and dimension diagrams please visit the website www.birlea.com
- If you have any issues with your item please contact the retailer directly you purchased it from who will be able to resolve any issues with Birlea.
- Why don't you send us photos of your assembled furniture to info@birlea.com to be shared in our #birleahome feature on instagram.