

Birlea

Suppliers of inspiration

Assembly Instructions

*Thank you for
purchasing a
Birlea product.*

For a chance to win a *Love 2 Shop* voucher simply post a picture of your new product on your preferred social channels tagging Birlea Furniture and using the hashtag **#ShareYourStyle** and **#Birlea**. One winner will be selected at random each month.

To view our full terms and conditions please visit our website. www.birlea.com

Are you happy with your purchase?

Yes: That's great, we would love to hear more from you. Please leave us a review on our social media channels or Trustpilot. Your feedback will be greatly appreciated.

No: If for any reason there is something missing, indifferent or incorrect with your order, please contact the retailer you purchased the item from. We will work with the retailer to resolve your issue as quickly as possible.



www.birlea.com

ASSEMBLY INSTRUCTIONS **COMPTON TV UNIT**

IMPORTANT : READ THESE INSTRUCTIONS CAREFULLY BEFORE ATTEMPTING TO ASSEMBLE OR USE YOUR COMPTON TV UNIT.

PLEASE KEEP THESE INSTRUCTIONS FOR FUTURE REFERENCE.

ASSEMBLY:

Assembly should be carried out with this item laying flat, not standing upright.

Assemble on a soft, clean surface to prevent damages.

To erase the numbers printed on the pieces, use the rubber inside the accessories pack.

HEALTH & SAFETY:

DO NOT use this product if any parts are missing, damaged or worn.

DO NOT use this product unless all fixings are secured.

Always use on a level, even surface.

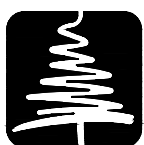
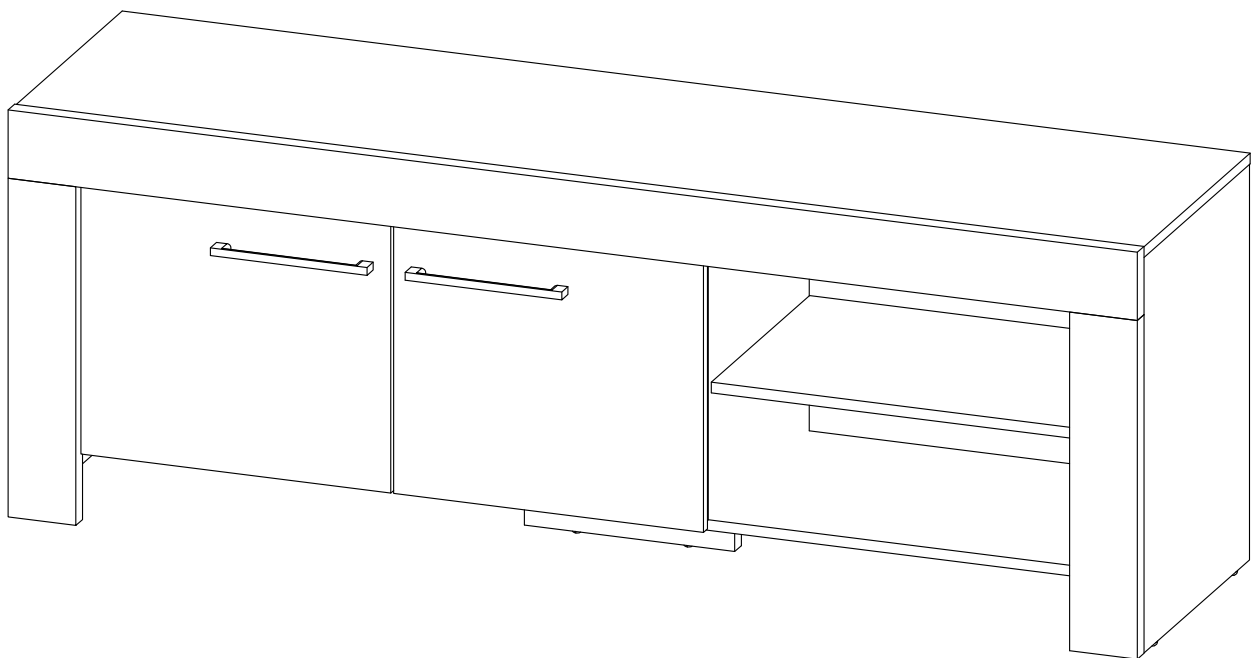
CARE & MAINTENANCE:

Periodically check all screws & fixings to ensure they are secure.

DO NOT push this product as this will cause damage.

Always lift this product with two people to repositions.

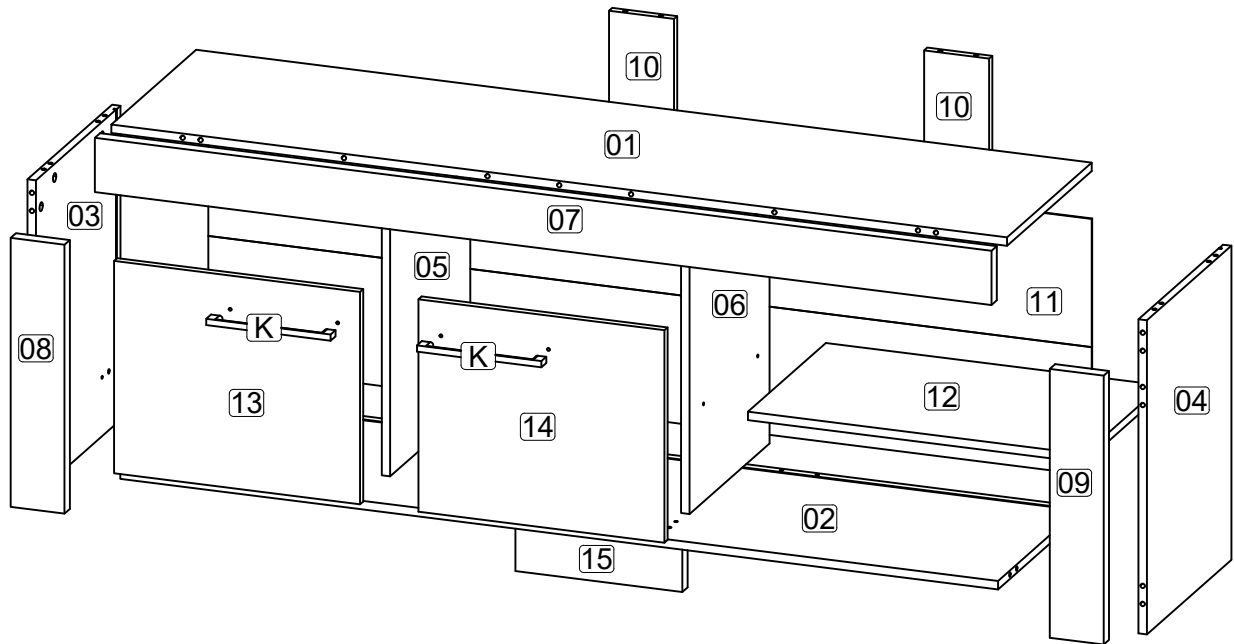
Keep any sharp objects away from this product.



Birlea







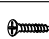
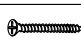
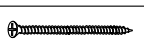

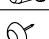






Suppliers of inspiration

www.birlea.com

**Parts List**

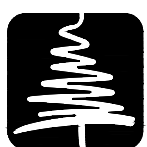
Part	Description	Box	Qty
01	Top panel	1	1
02	Bottom panel	1	1
03	Side panel (Left)	1	1
04	Side panel (Right)	1	1
05	Center panel (Left)	1	1
06	Center panel (Right)	1	1
07	Top bone	1	1
08	Side bone (Left)	1	1
09	Side bone (Right)	1	1
10	Back bone	1	2
11	Back panel	1	1
12	Shelf panel	1	1
13	Door panel (Left)	1	1
14	Door panel (Right)	1	1
15	Leg panel	1	1

Hardware List (BOX 1)

Part	Description		Qty
A1	Cam lock		28
A2	Minifix screw		28
A3	Plastic cap		28
B	M8 x 30mm Wood Dowel		27
C	M6 x 50mm CSK Cap Wood screw		8
D	Allen key M4		1
E	M3.5 x 16mm C.B Screw		24
F	M4 x 32mm C.B Screw		4
G	M4 x 65mm C.B Screw		3
H	Metal Shelf Support		4
I	5/8 PVC Nail Leg		6
J	S125 - Double Hole Fitting		2
K	PVC Handle 525-192		2
L	5/8 Hinges		2
M	Hinges 90 V		2
N1	Stud 192		10
N2	Stud 192 screw		10

** You will need a small mallet and a screwdriver for assembly.

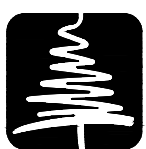
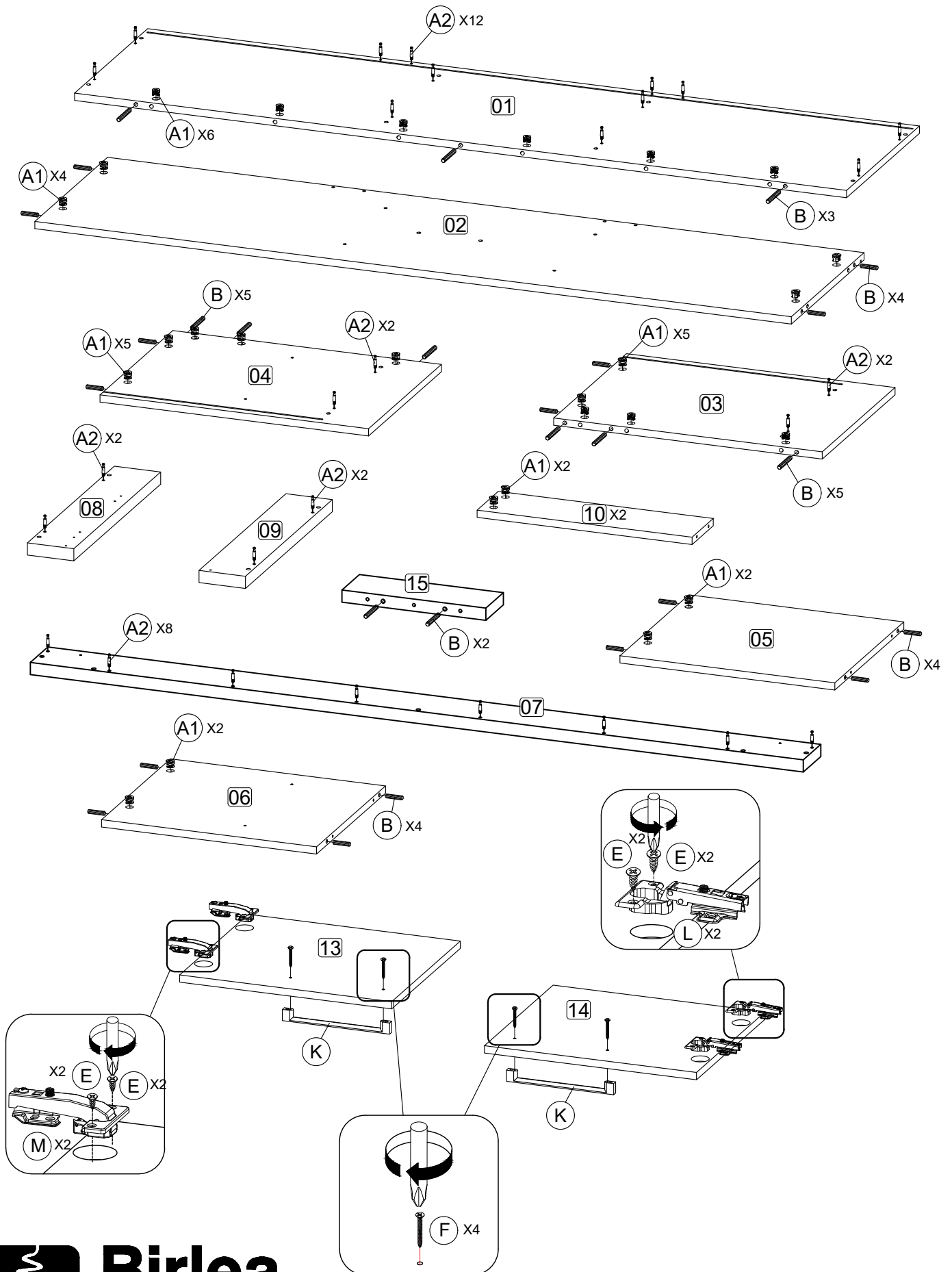
** Some screws and wooden dowel may remain.



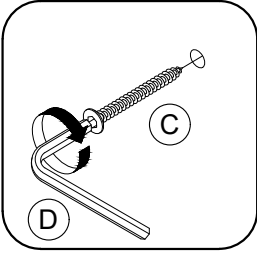
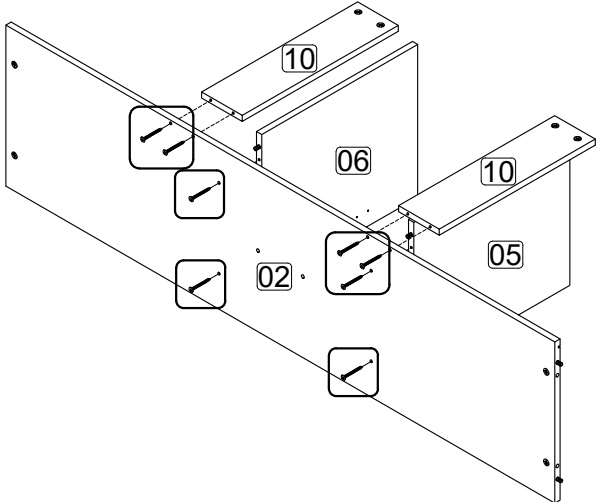
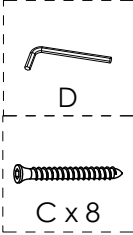
Birlea

Suppliers of inspiration

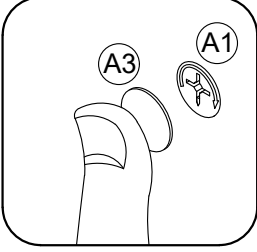
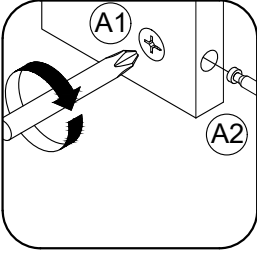
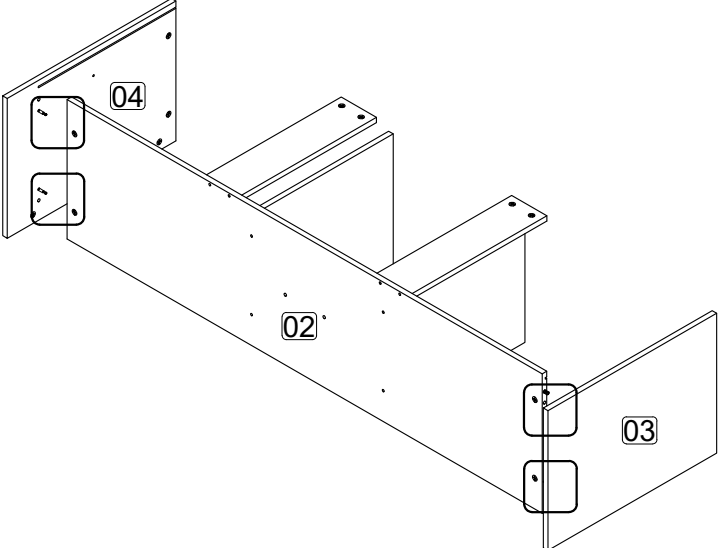
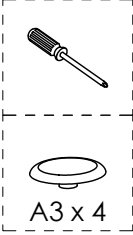
Step 1: Prepare these parts for assembly using hardware parts A1, A2, B, E, F, K, L and M.
DO NOT use any power tools as this may damage the frame and will invalidate any claim.



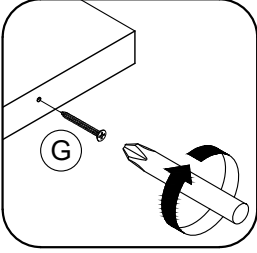
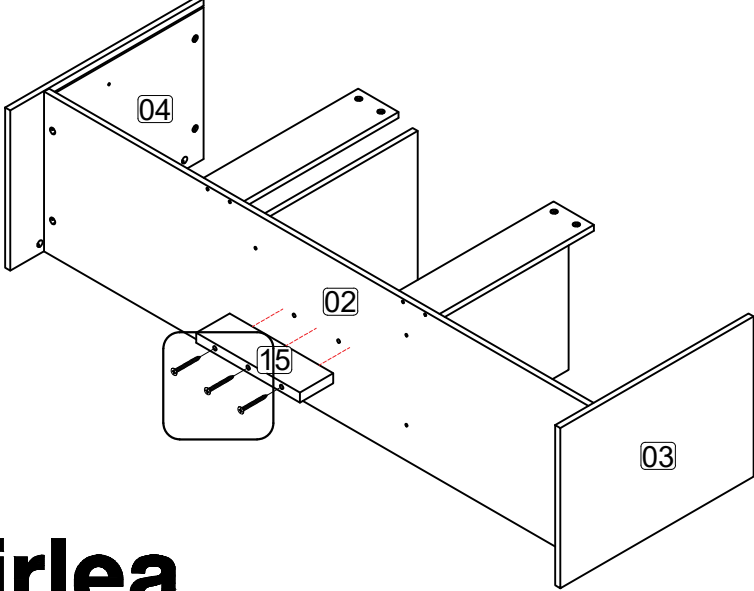
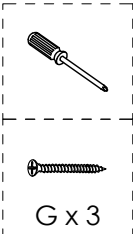
Step 2: Attach bottom panel (2) to center panel (5), (6) and back bone (10) using hardware C and D.
DO NOT use any power tools as this may damage the frame and will invalidate any claim.



Step 3: Attach side panel (3) and (4) to bottom panel (2) using hardware A1 and A2 with a screwdriver (not provided).
DO NOT use any power tools as this may damage the frame and will invalidate any claim.

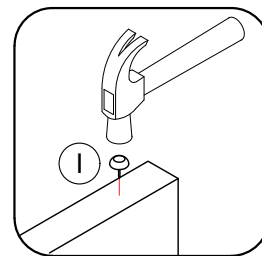
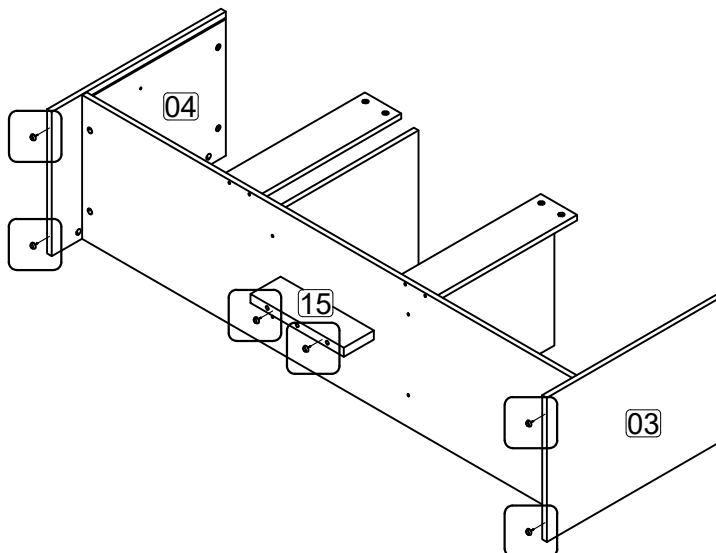
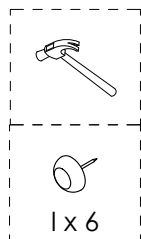


Step 4: Attach leg panel (15) to bottom panel (2) using hardware G with a screwdriver (not provided).
DO NOT use any power tools as this may damage the frame and will invalidate any claim.



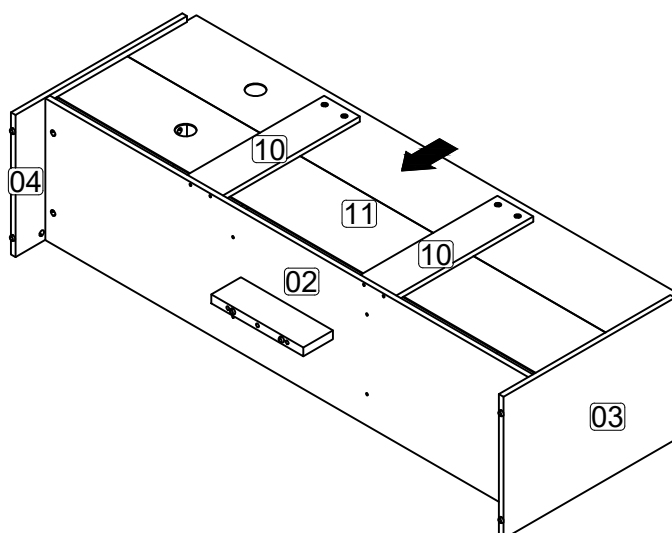
Step 5: Hit hardware I into bottom of side panel (3), (4) and leg panel (15).

DO NOT use any power tools as this may damage the frame and will invalidate any claim.



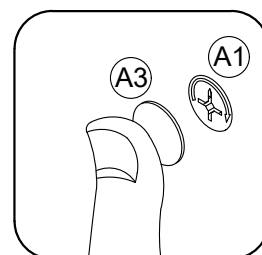
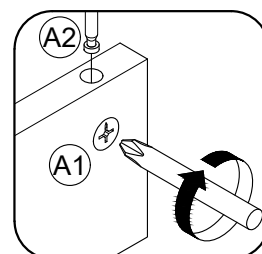
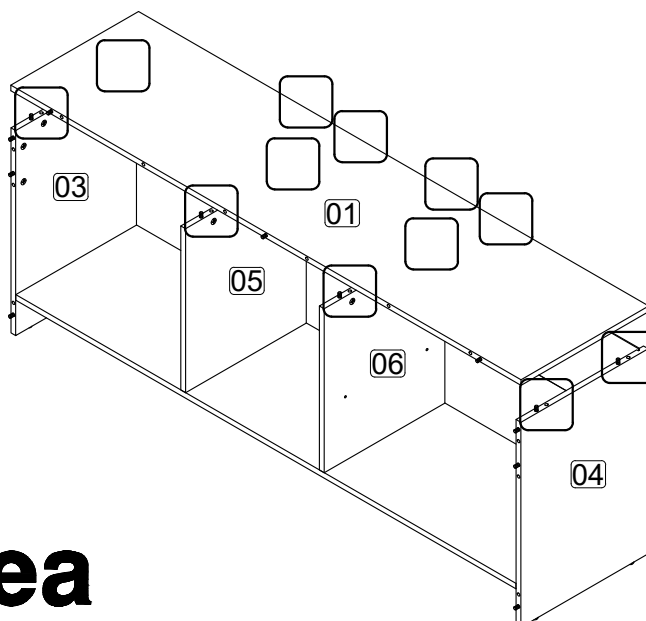
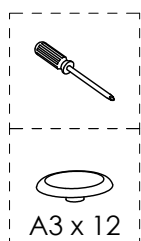
Step 6: Insert back panel (11) along the slot.

DO NOT use any power tools as this may damage the frame and will invalidate any claim.



Step 7: Attach top panel (1) to side panel (3), (4), center panel (5), (6) and back bone (10) using hardware A1 and A2 with a screwdriver (not provided).

DO NOT use any power tools as this may damage the frame and will invalidate any claim.

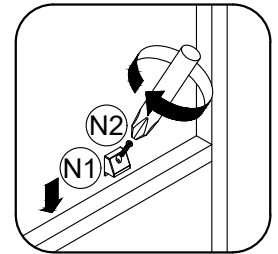
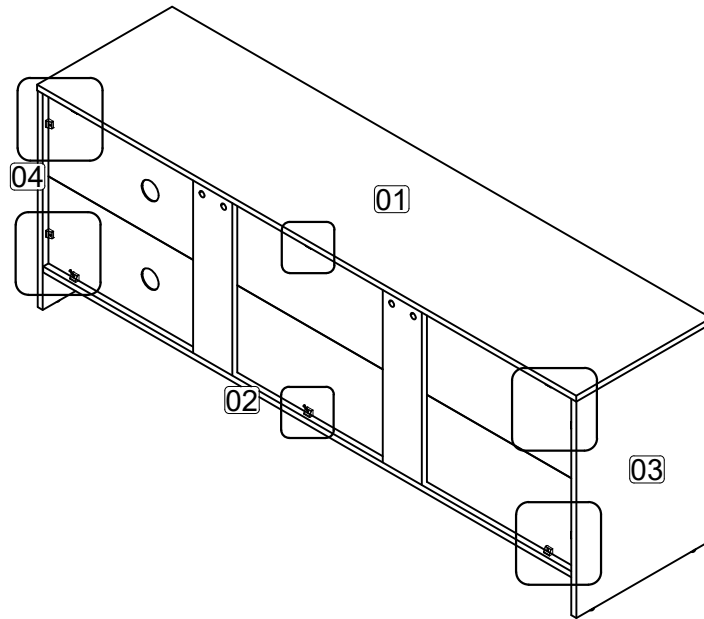
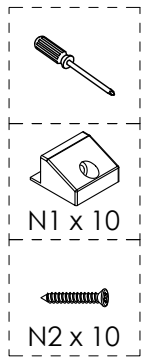


Birlea

Suppliers of inspiration

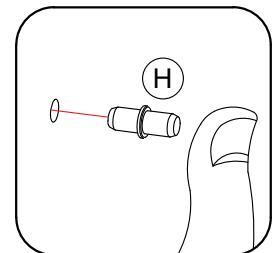
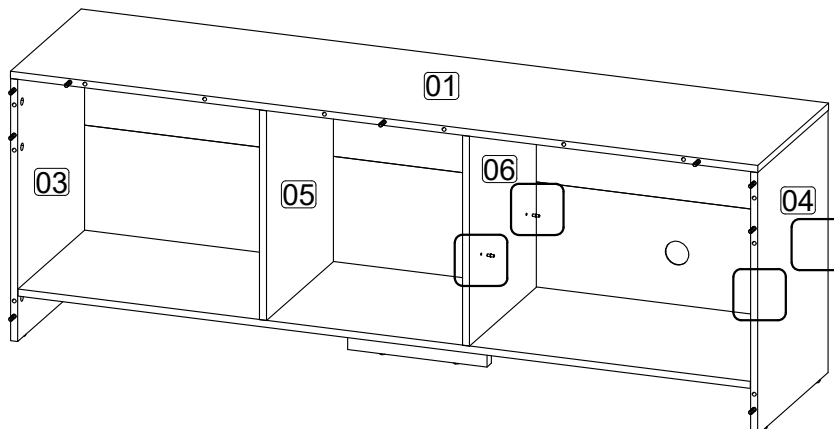
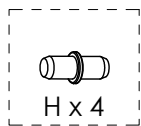
Step 8: Attach hardware N1 into top panel (1), bottom panel (2), side panel (3) and (4) using hardware N2 with a screwdriver (not provided).

DO NOT use any power tools as this may damage the frame and will invalidate any claim.



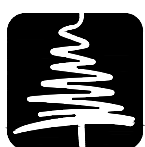
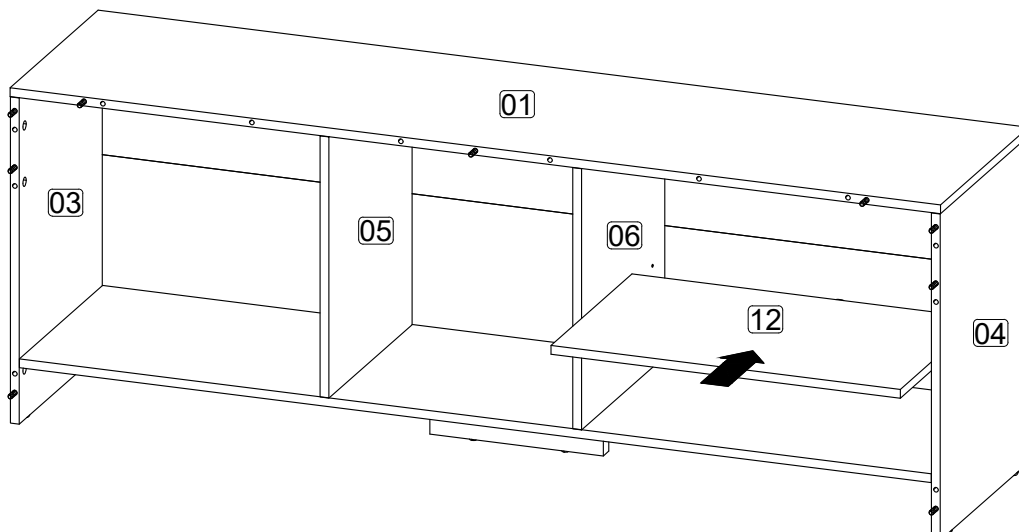
Step 9: Insert hardware H into mounting positions on side panel (4) and (6).

DO NOT use any power tools as this may damage the frame and will invalidate any claim.



Step 10: Assemble shelf panel (12) between side panel (4) and center panel (6).

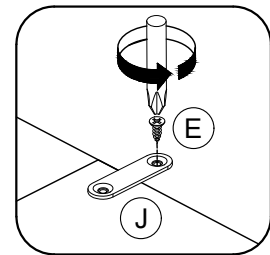
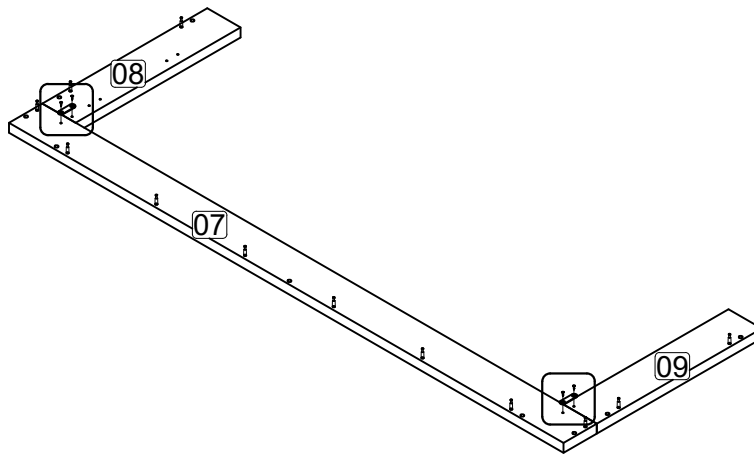
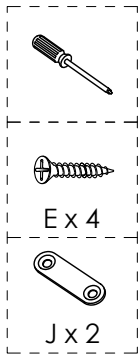
DO NOT use any power tools as this may damage the frame and will invalidate any claim.



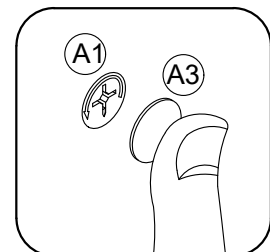
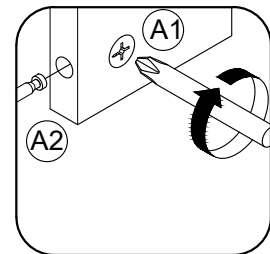
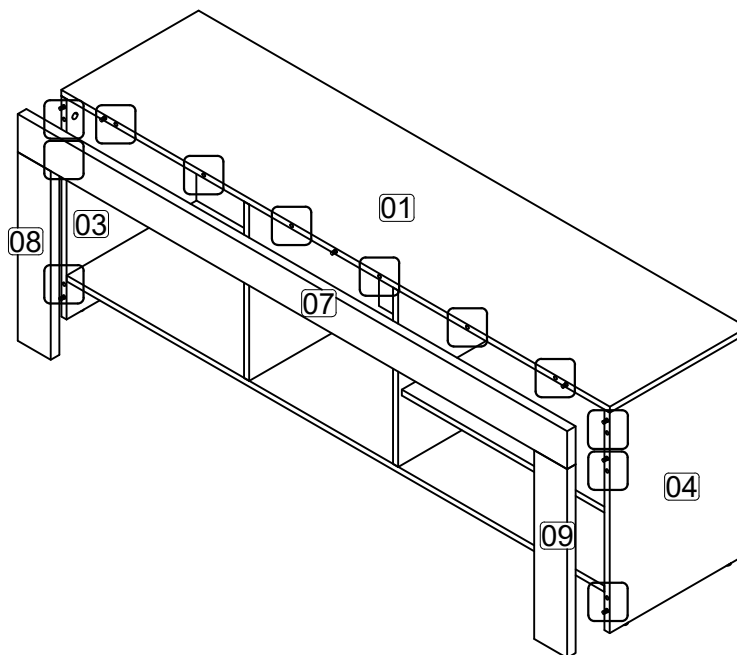
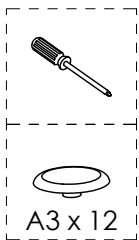
Birlea

Suppliers of inspiration

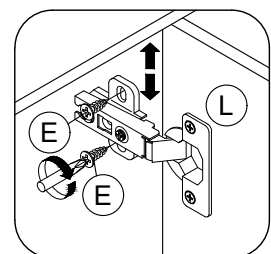
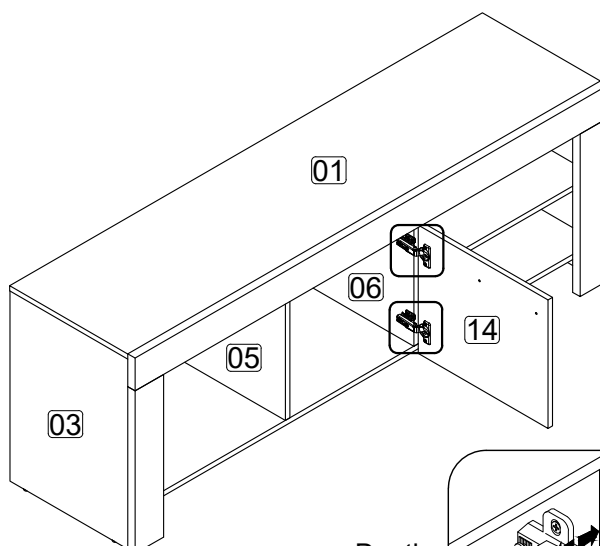
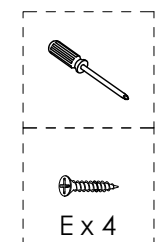
Step 11: Fix hardware J into top bone (7), side bone (8) and (9) with hardware E and a screwdriver (not provided).
DO NOT use any power tools as this may damage the frame and will invalidate any claim.



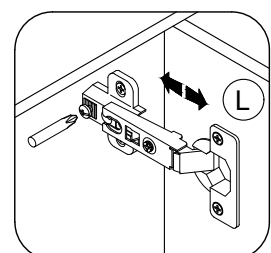
Step 12: Attach top bone (7), side bone (8) and (9) to top panel (1) side panel (3) and (4) using hardware A1 and A2 with a screwdriver (not provided).
DO NOT use any power tools as this may damage the frame and will invalidate any claim.



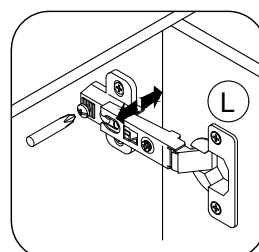
Step 13: Attach door panel (14) to center panel (6) using hardware E with a screwdriver (not provided).
DO NOT use any power tools as this may damage the frame and will invalidate any claim.



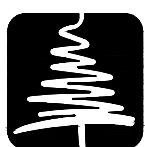
Vertical Adjustment



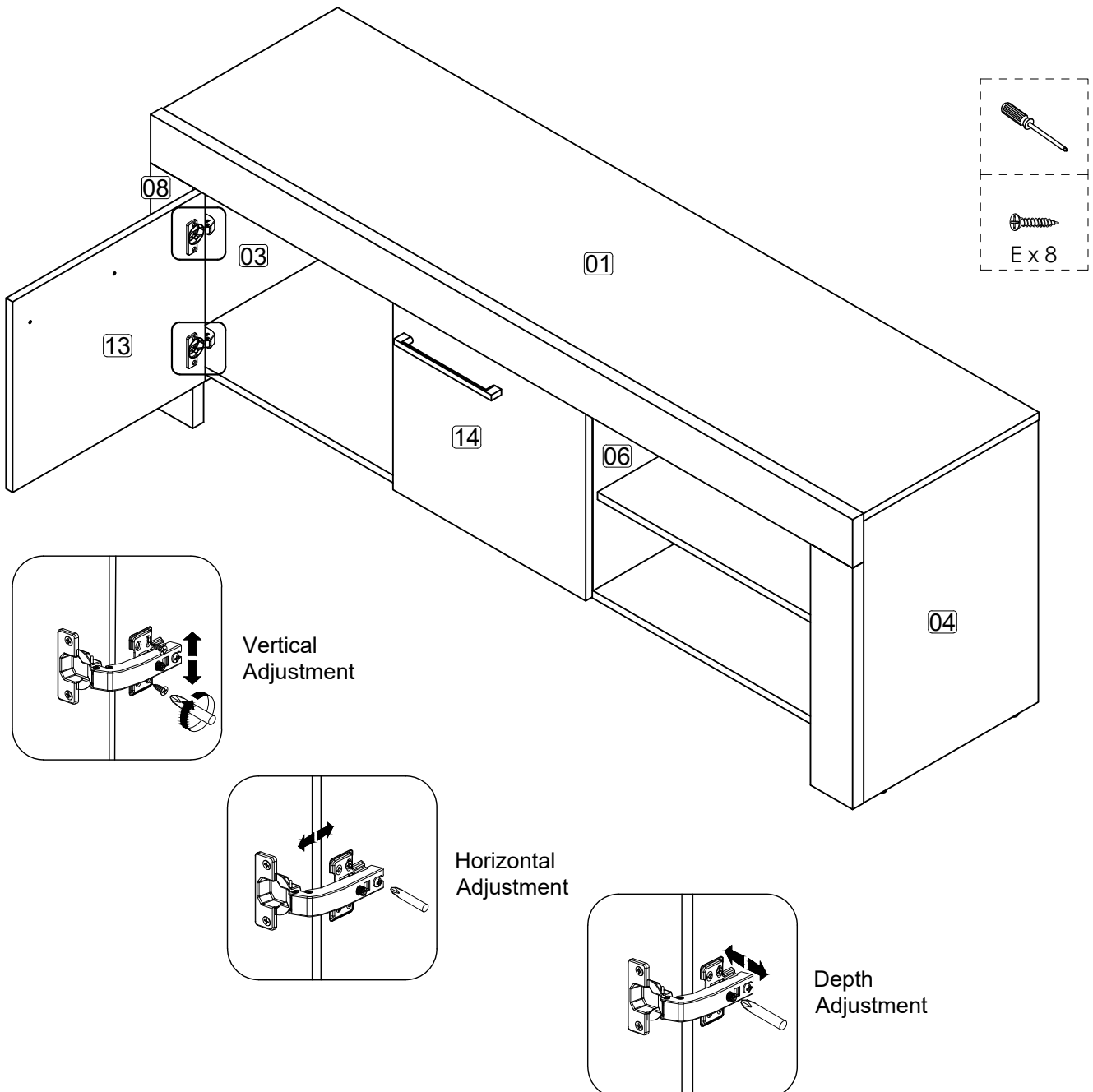
Horizontal Adjustment



Depth Adjustment

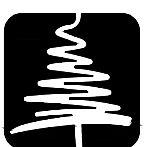


Step 14: Attach door panel (13) to side bone (8) using hardware E with a screwdriver (not provided).
DO NOT use any power tools as this may damage the frame and will invalidate any claim.



Additional Information:

- For complete product information, images and dimension diagrams please visit the website www.birlea.com
- If you have any issues with your item please contact the retailer directly you purchased it from who will be able to resolve any issues with Birlea.
- Why don't you send us photos of your assembled furniture to info@birlea.com to be shared in our #birleahome feature on instagram.



Birlea

Suppliers of inspiration