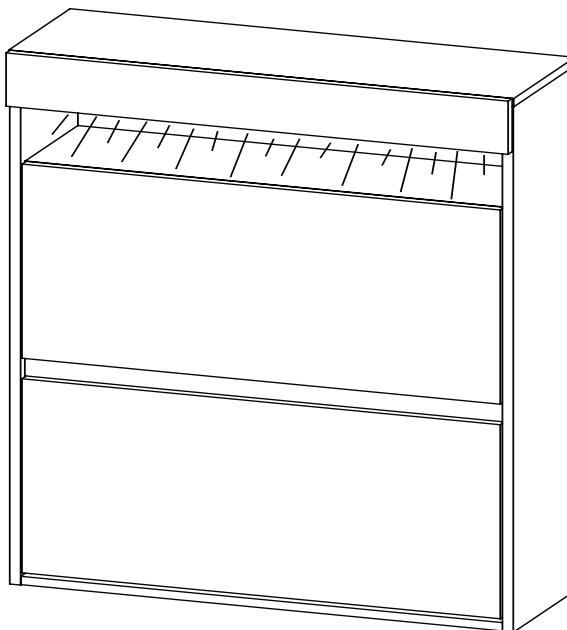


GALICIA WALL HANGING TWO TIER SHOE CABINET ASSEMBLY INSTRUCTIONS

Thank you for purchasing the Galicia Two Tier Shoe Cabinet.

Please read the instructions carefully to ensure safe operation of this product, especially the installation warnings shown in Page 2 of this guide.



Size: 70 x 24 x 98.8 cm (WDH)

Colour: White or Grey or Black

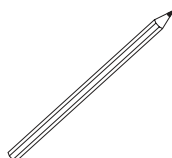
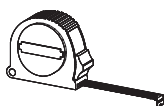
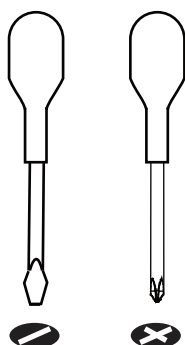
Finish: Melamine Cabinet with Gloss Fronts

PLEASE READ this sheet prior to assembly to familiarise yourself with the various stages of construction.

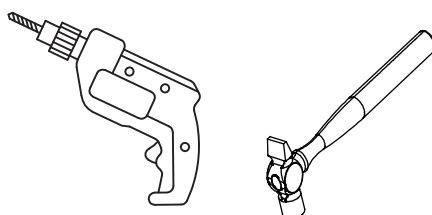
Carefully open the pack supplied and check the contents against the parts and fittings check list. Do not destroy any of the packaging until you are certain that you have all the necessary parts for the assembly.

CAUTION: There are small components used in the construction of this unit. These loose items should be kept away from young children whilst assembling your unit to avoid the danger of choking.

Tools Required



1 1/4 Hour
Set Up



Version 1 - 210702

PO No: _____

Page 1 of 15

IMPORTANT - READ CAREFULLY - RETAIN THESE INSTRUCTIONS FOR FUTURE REFERENCE.

INFORMATION

- This product is designed to hold 12 Kg in total, spread evenly over the whole unit.
- Do not exceed this weight.
- We recommend that this unit is assembled in the room intended for use.
- When you are ready to start, make sure that you have the right tools, plenty of space and a clean, dry area for assembly.
- Unwrap all packaging materials and place the components on top of the carton box or on a clean floor to prevent them from scratching.
- Check the pack and make sure you have all the parts listed.
- Ensure that this product is fully assembled as illustrated before use.
- Check all screws or bolts are tightened and inspect regularly
- Tools not included unless specified in parts list.

WARNINGS

- DO NOT use power tools to construct this product.
- DO NOT tighten screws until parts are assembled or as advised in this guide.
- DO NOT over tighten screws or bolts.
- DO NOT use this product if parts are missing, damaged or worn.
- This is a cabinet designed to hang from the wall, only use the supports provided.
- In order to prevent the cabinet falling down this product must be installed with the wall hanging devices provided - do not use any other means to support the product.
- Carefully assess the suitability of the wall to ensure that the fastening device will withstand the load and forces generated. Walls can be quite different in construction so fixings are not supplied - choose the most suitable fixing for your wall type - if in doubt consult an expert.
- When drilling the wall always be sure the area to be drilled is free from hidden electrical wiring, water or gas pipes.
- The assembly of this product must be done carefully following the detailed stages in the Assembly Instruction.
- Installation of this product needs to be carried out in accordance with the following instructions, see Steps 14 & 15.

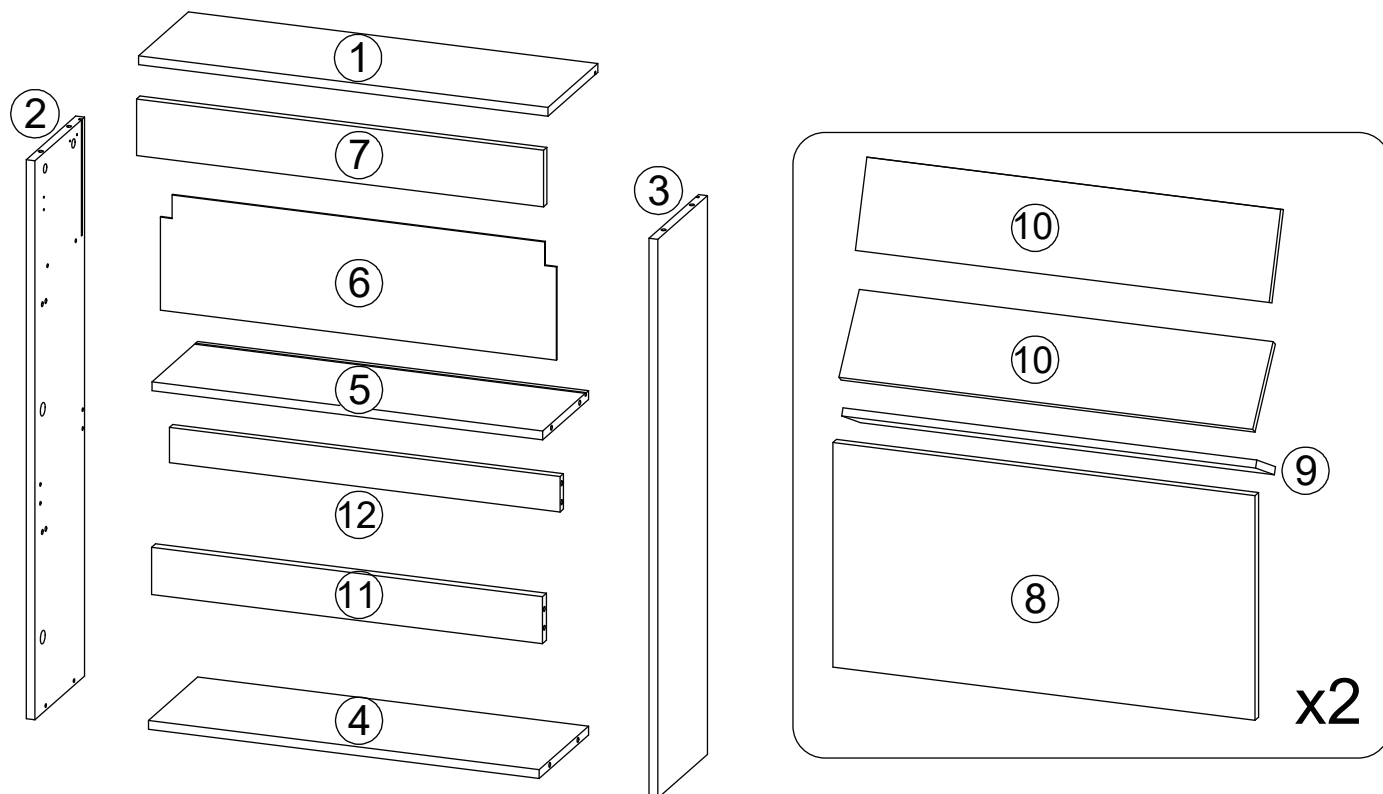
CARE INFORMATION

- To clean, wipe with a damp cloth.
- Never use scourers, abrasives or chemical cleaners.
- Do not use solvent based cleaners or detergents as they can bleach or damage the product.

Parts and Fittings Checklist

Please check the pack contents before assembling the product. If any components are missing, please contact your retailer.

The fittings pack contains small items that should be kept away from children.

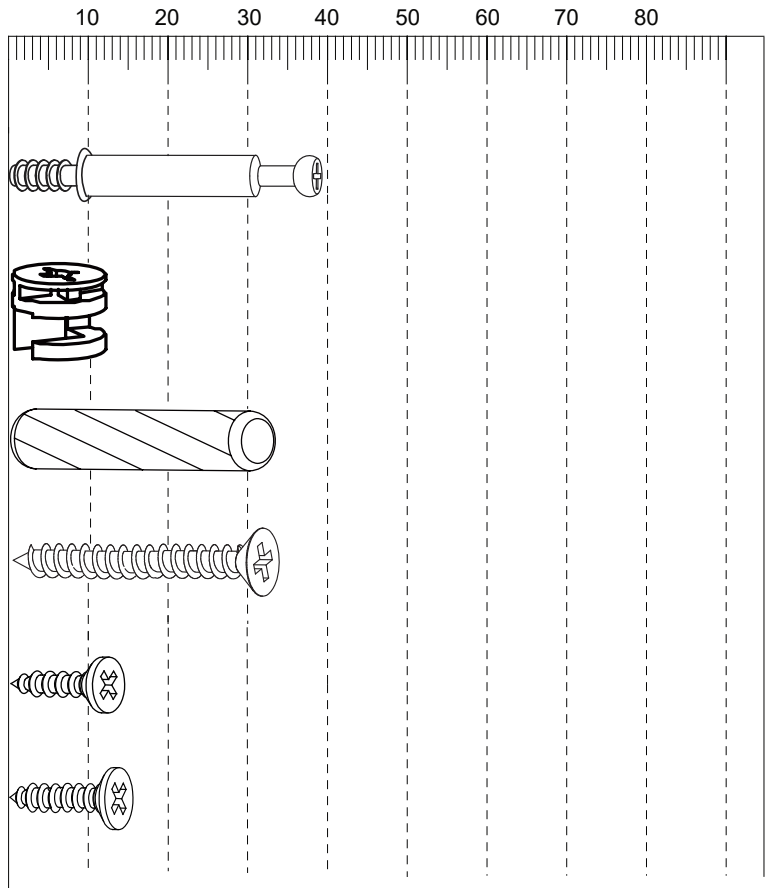


All parts are packed in one carton

1	2	3
Description: Top Panel Qty: 1 Size: 700 x 225 x 15 mm Carton No: 1/1	Description: LH Side Panel Qty: 1 Size: 973 x 224 x 15 mm Carton No: 1/1	Description: RH Side Panel Qty: 1 Size: 973x 224 x 15 mm Carton No: 1/1
4	5	6
Description: Base Panel Qty: 1 Size: 668x 223 x 15 mm Carton No: 1/1	Description: Fixed Shelf Qty: 1 Size: 668 x 207 x 15 mm Carton No: 1/1	Description: Back Panel Qty: 1 Size: 677 x 190 x 3 mm Carton No: 1/1
7	8	9
Description: Decor Flap Qty: 1 Size: 696 x 96 x 15 mm Carton No: 1/1	Description: Flap for Carriage Qty: 2 Size: 663 x 358 x 15 mm Carton No: 1/1	Description: Base for Carriage Qty: 2 Size: 658 x 86 x 12 mm Carton No: 1/1
10	11	12
Description: Partition for Carriage Qty: 4 Size: 658 x 138 x 12 mm Carton No: 1/1	Description: Back Rail Qty: 1 Size: 668 x 80 x 15 mm Carton No: 1/1	Description: Front Rail Qty: 1 Size: 668 x 60 x 15 mm Carton No: 1/1

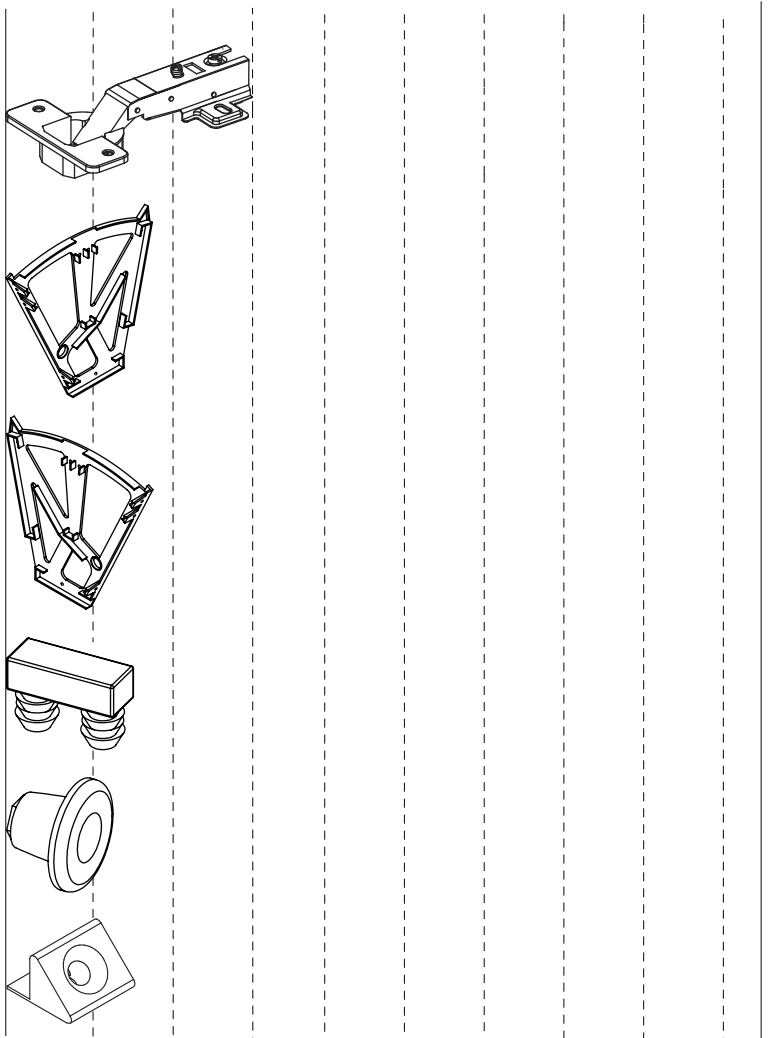
Fittings (to scale)

Code	Item	Quantity
A	Cam Bolt (38mm overall)	18
B	Cam Lock	18
C	Dowel (8x30mm)	2
D	Screw for Fitting Wall Support Bracket (4x32mm)	4
E	Screw for Fitting Hinge and Swivel Bush (4x12mm)	12
F	Screw for Fitting Flap for Swivel and Back Panel (3.5x16mm)	30



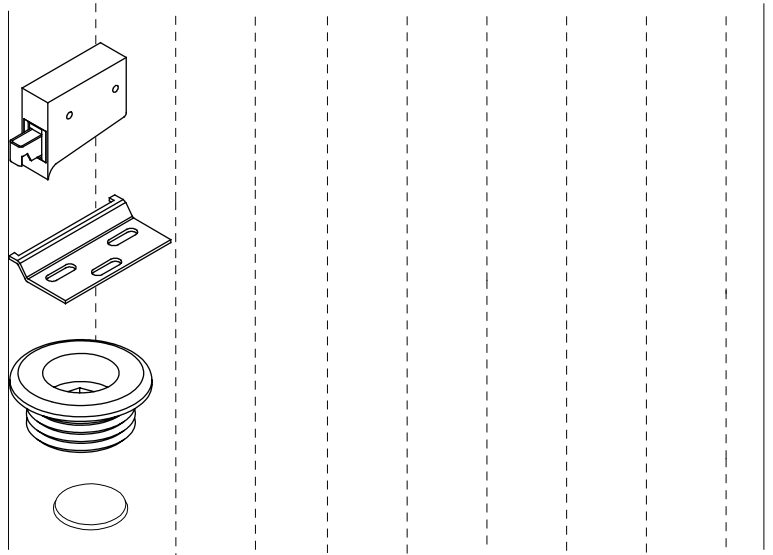
Fittings (not to scale)

Code	Item	Quantity
Q	Flap Hinge & Hinge Plate Set	2
R	LH Swivel for Shoe Carriage	2
S	RH Swivel for Shoe Carriage	2
U	Shoe Carriage Stop	4
V	Swivel Bush for Shoe Carriage	4
W	Back Panel Tension Fitting	6



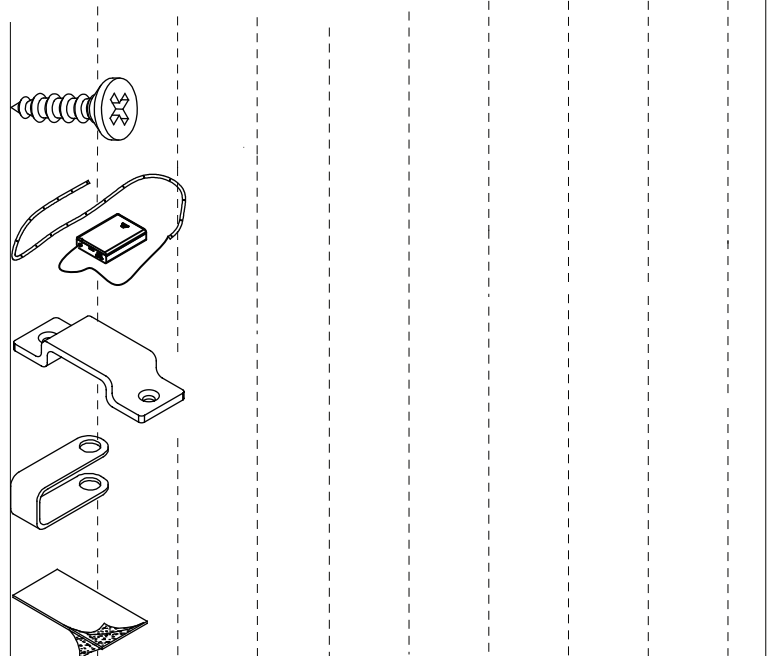
Fittings (not to scale)

Code	Item	Quantity
L	Wall Hanging Support (Fixed to Cabinet)	2
M	Wall Hanging Bracket (Fixed to Wall)	2
N	Swivel Bush on Side Panel	4
X	Decor Flap Buffer	2

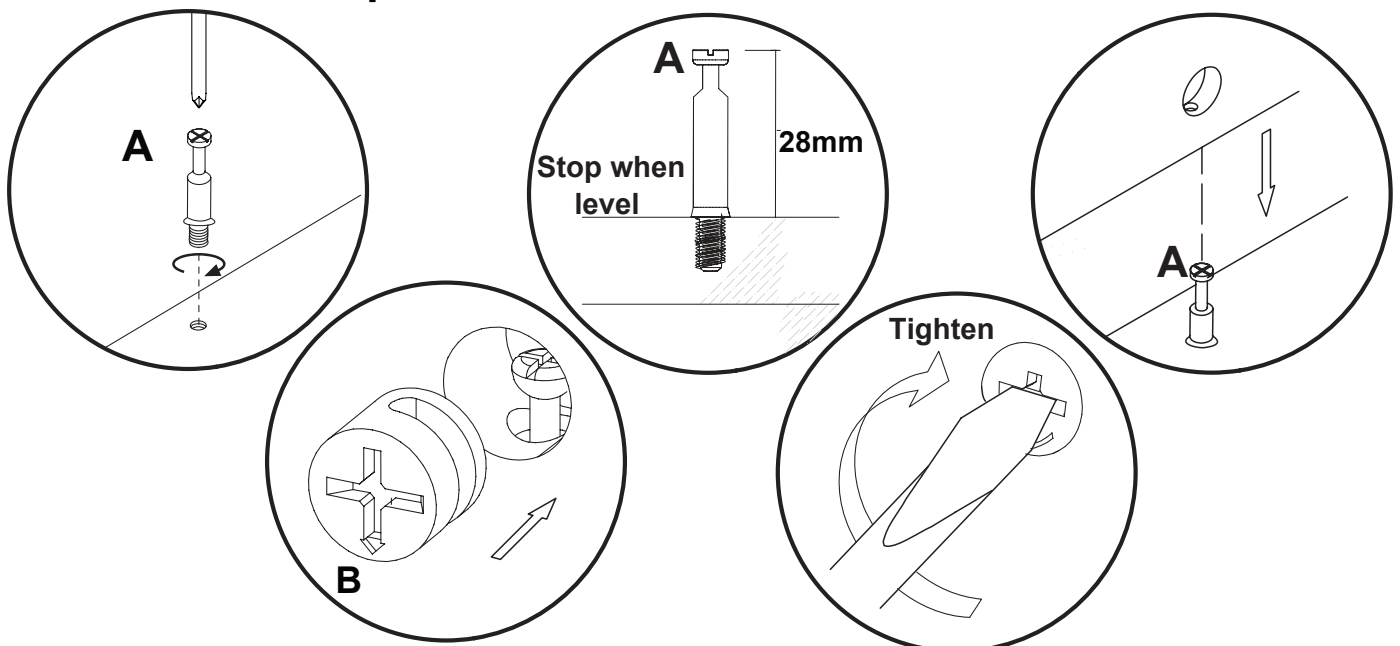


Fittings (packed in one LED box).

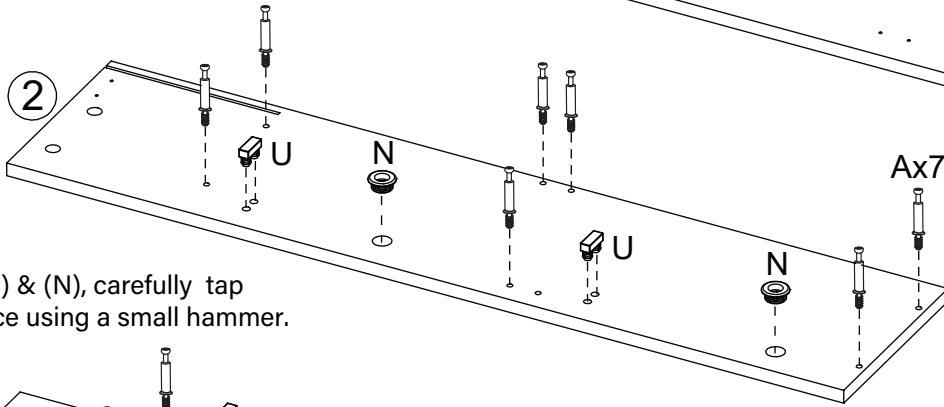
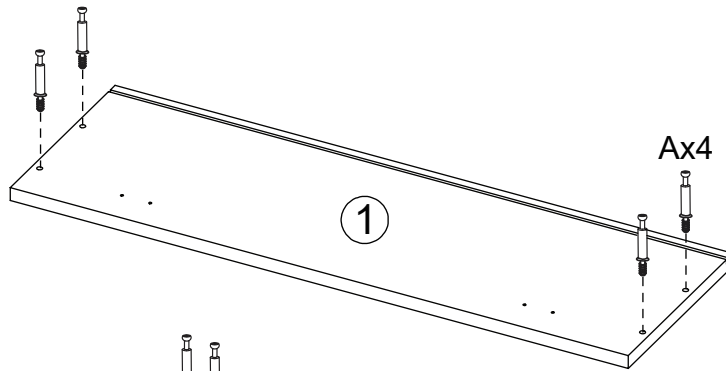
Code	Item	Quantity
G	Screw for LED & Cable Clips	6
H	Battery Box and Blue LED Strip (50 cm)	1
J	LED Clip	2
K	Cable Clip	2
T	Sticky Pad	1



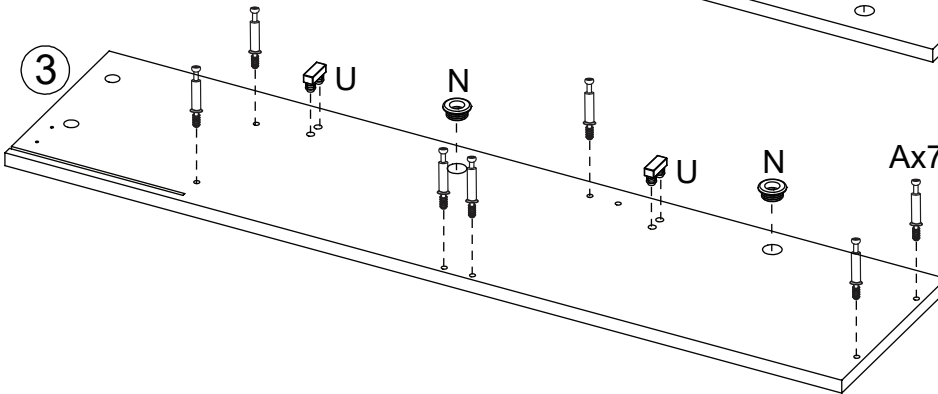
General Hints & Tips



STEP 1



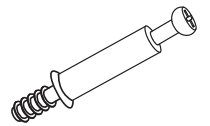
Parts (U) & (N), carefully tap into place using a small hammer.



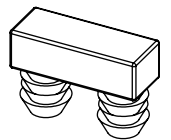
For this step:
Tools required



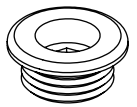
Fittings required



A x18

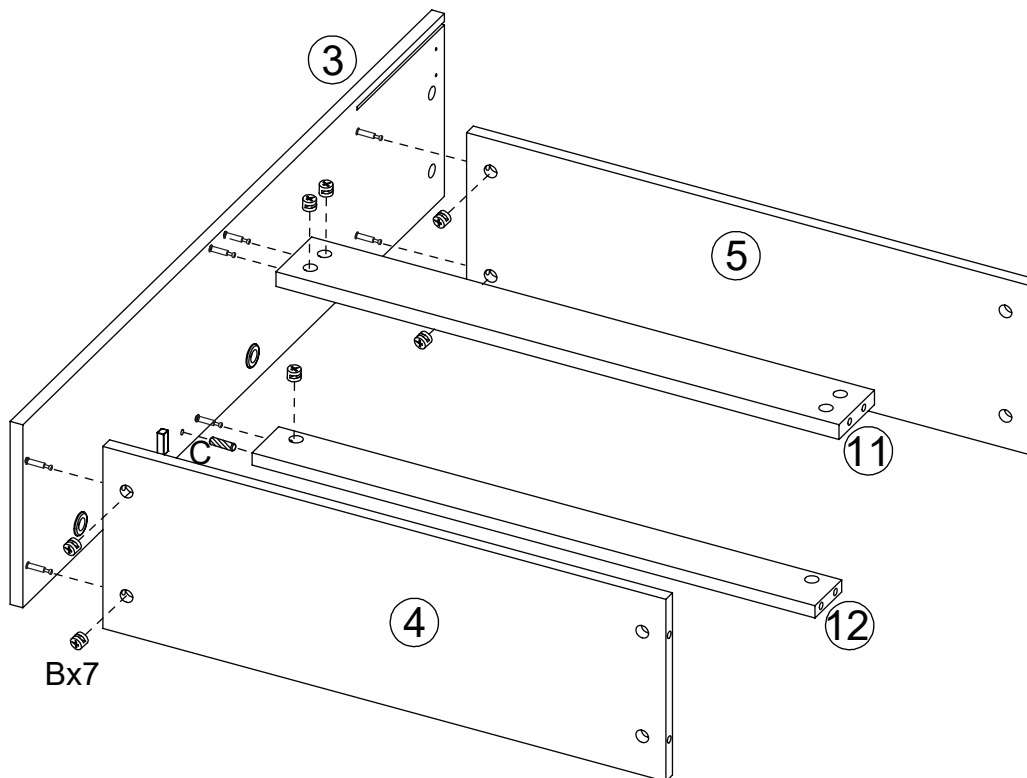


U x4



N x4

STEP 2



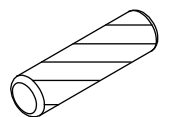
For this step:
Tools required



Fittings required

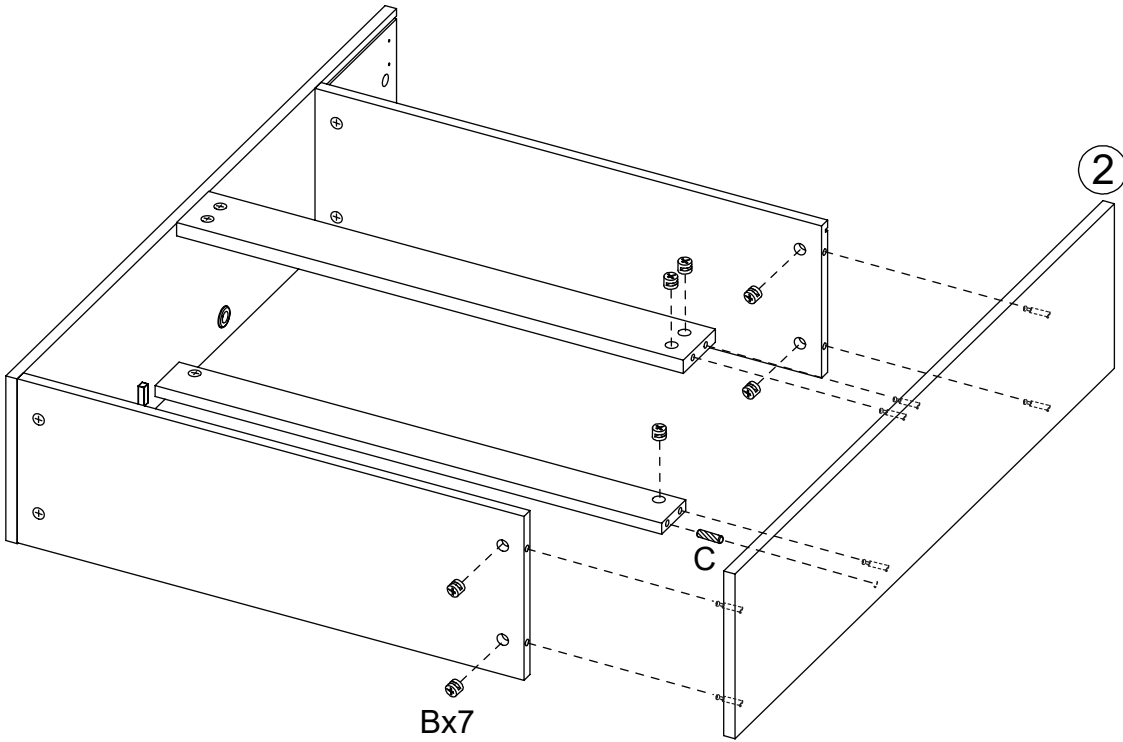


B x7



C x1

STEP 3



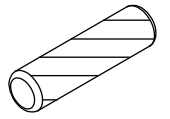
For this step:
Tools required



Fittings required

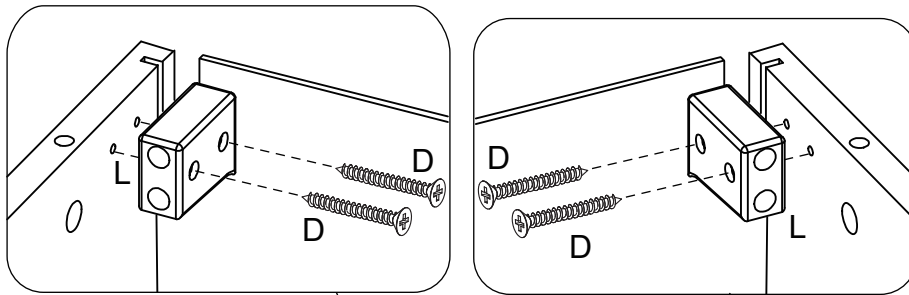


B x 7

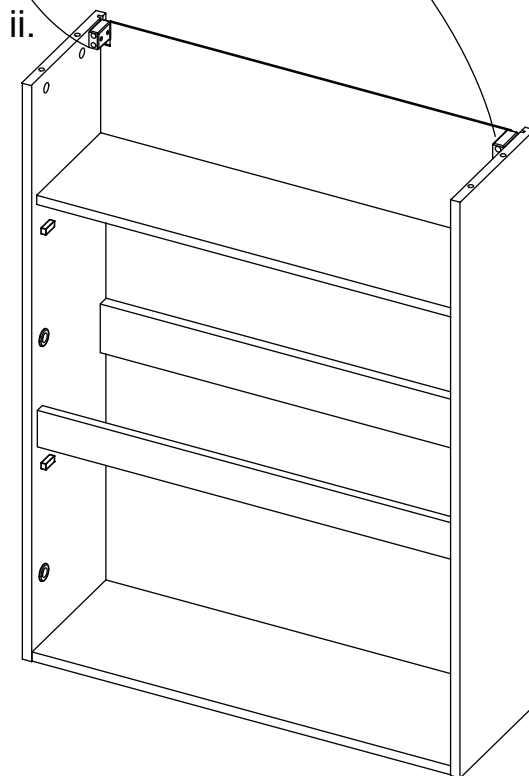
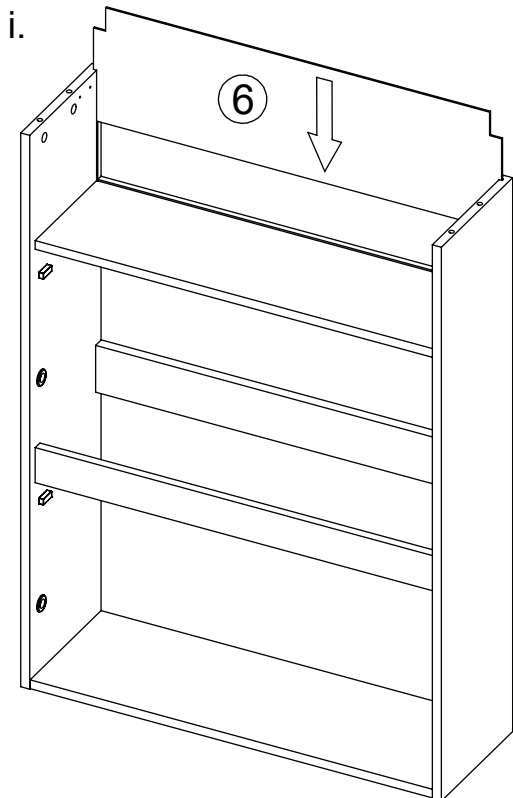
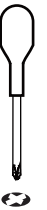


C x 1

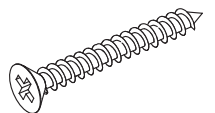
STEP 4



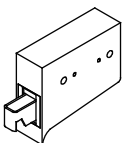
For this step:
Tools required



Fittings required

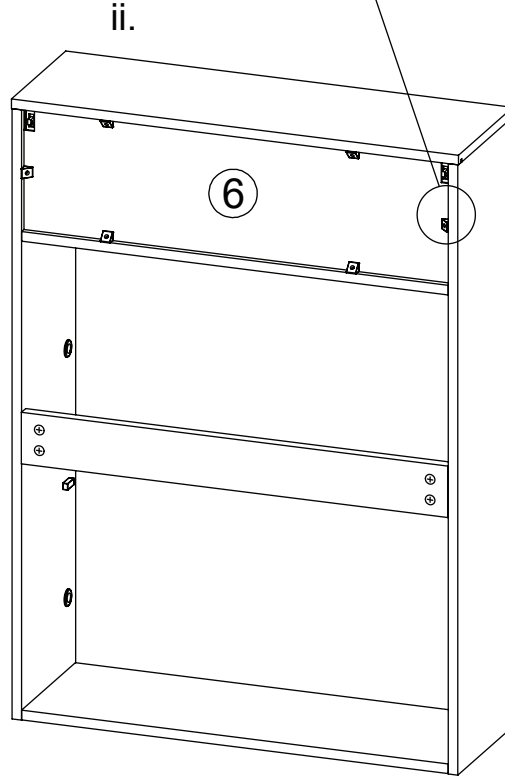
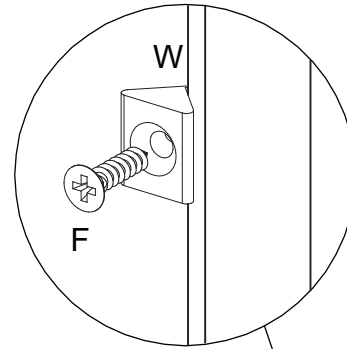
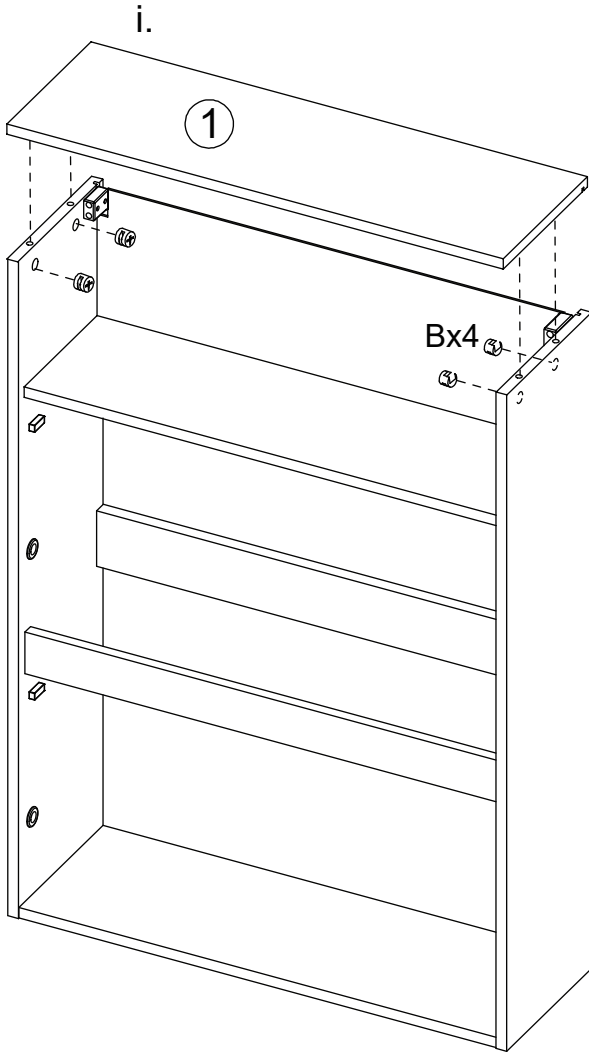


D x 4

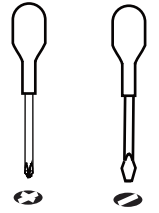


L x 2

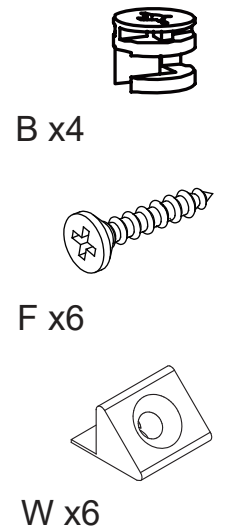
STEP 5



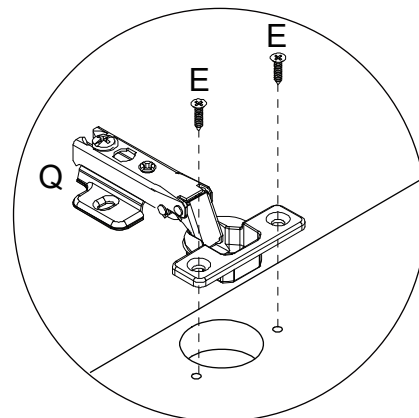
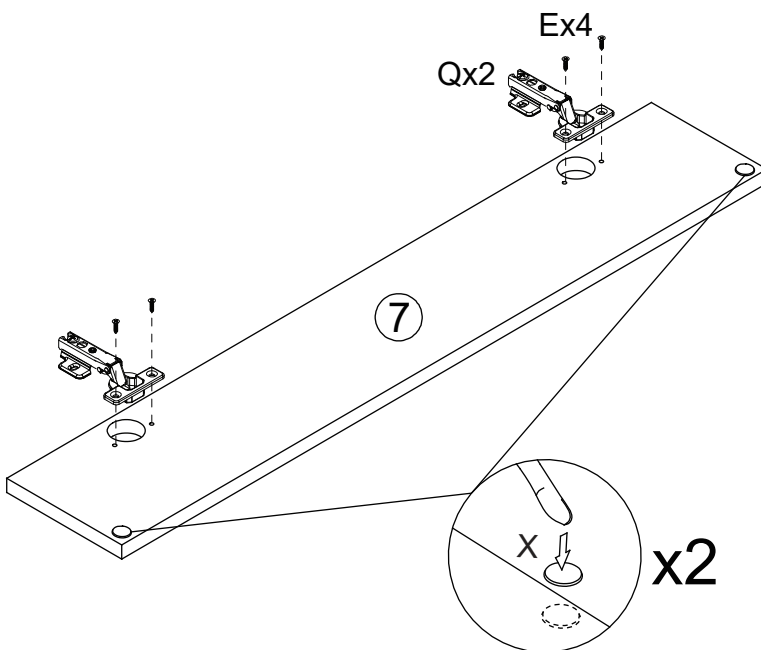
For this step:
Tools required



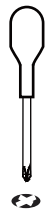
Fittings required



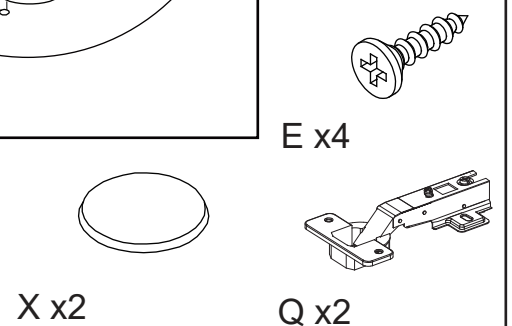
STEP 6



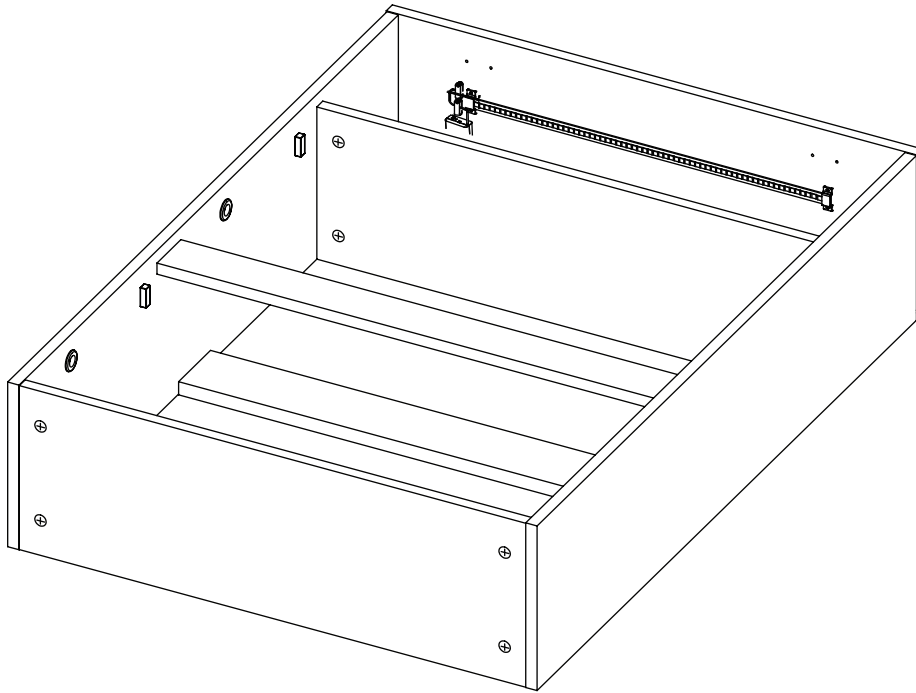
For this step:
Tools required



Fittings required

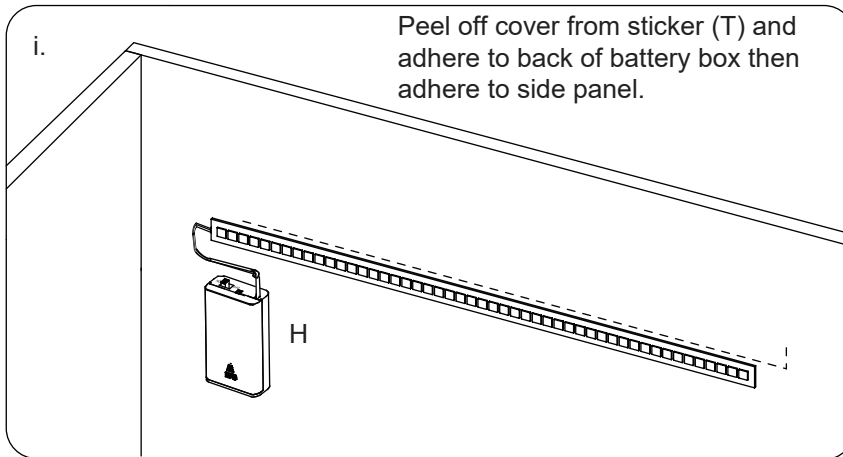
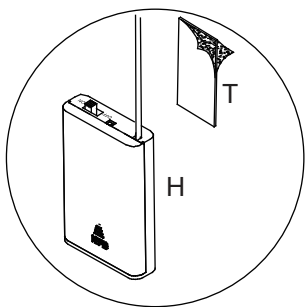
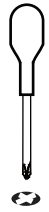


STEP 7

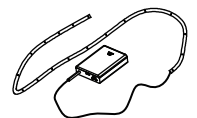


For this step:

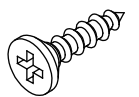
Tools required



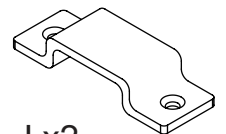
Fittings required



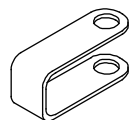
H x1



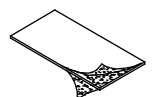
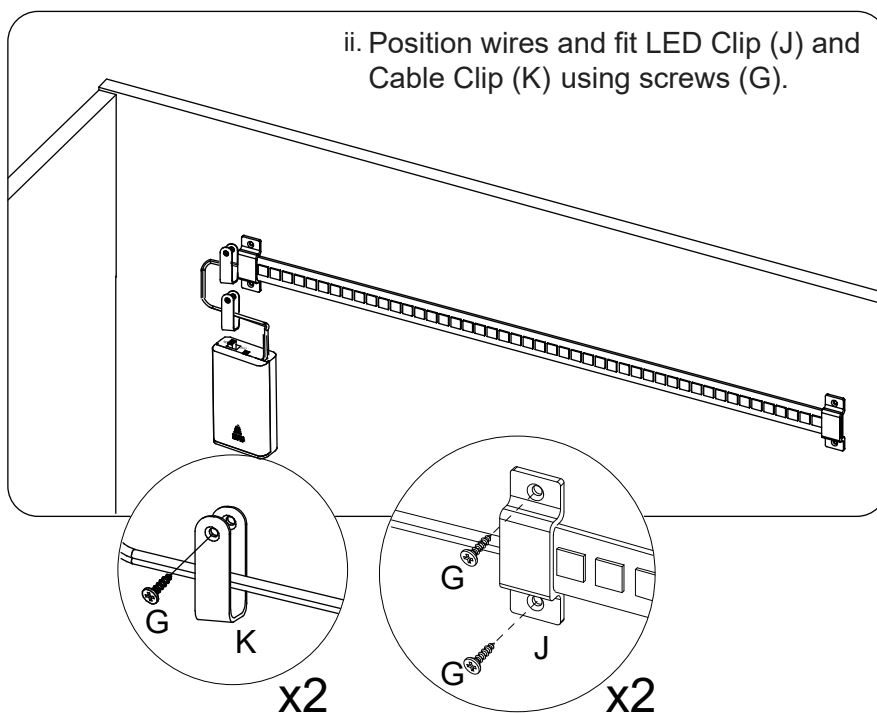
G x6



J x2

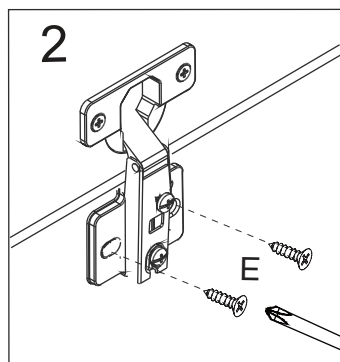
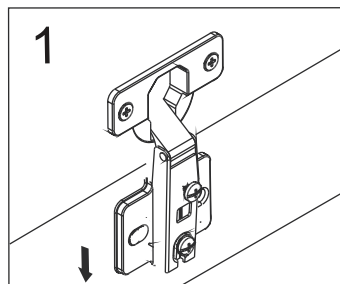
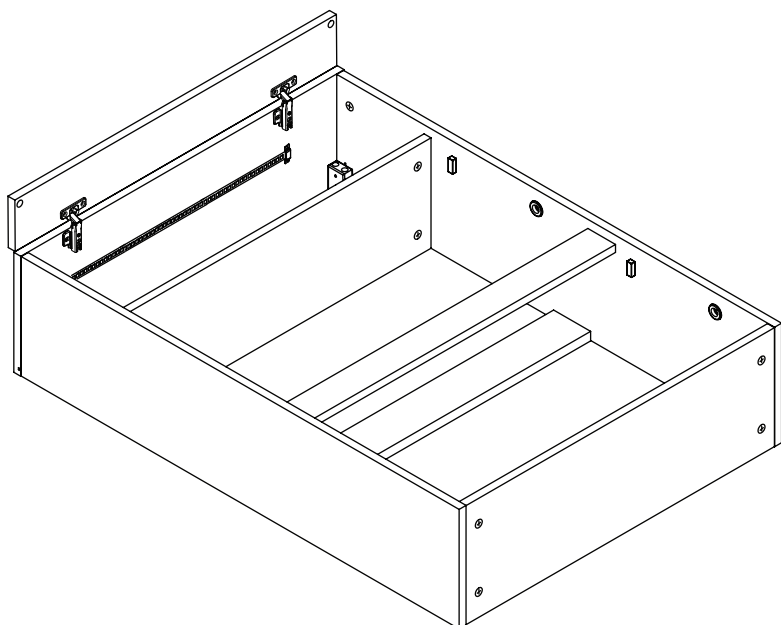


K x2



T x1

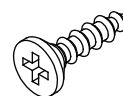
STEP 8



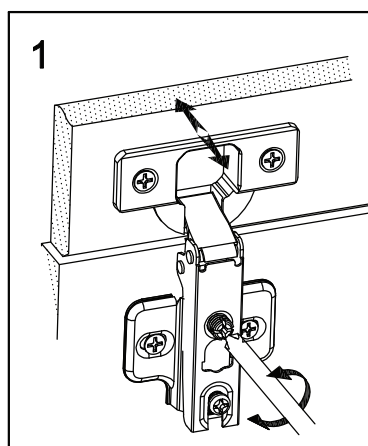
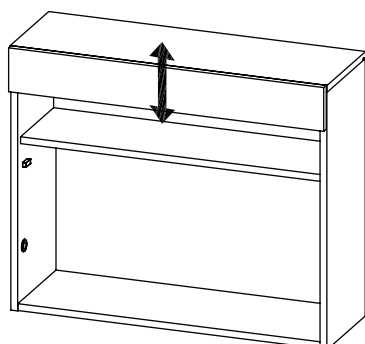
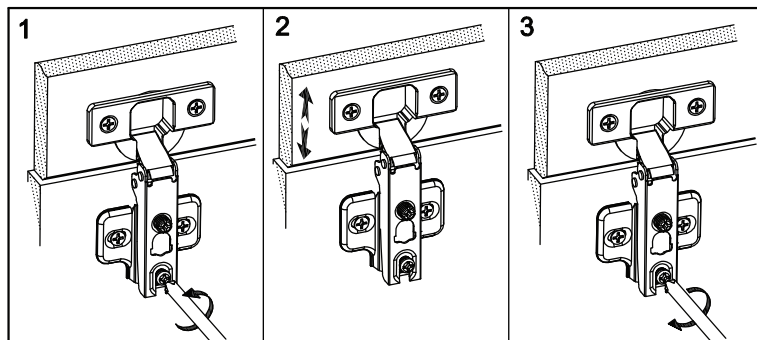
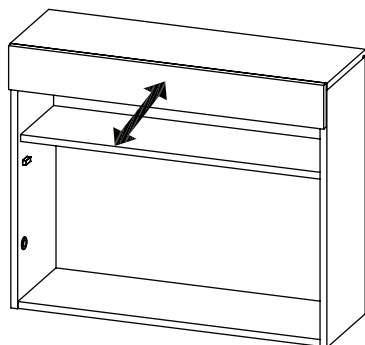
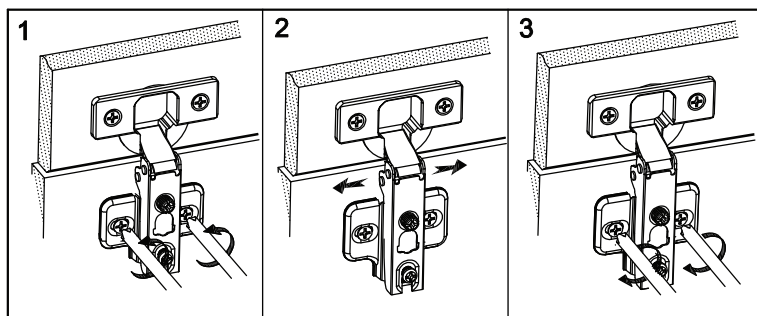
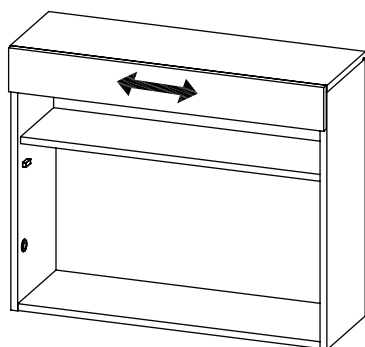
For this step:
Tools required



Fittings required



E x4

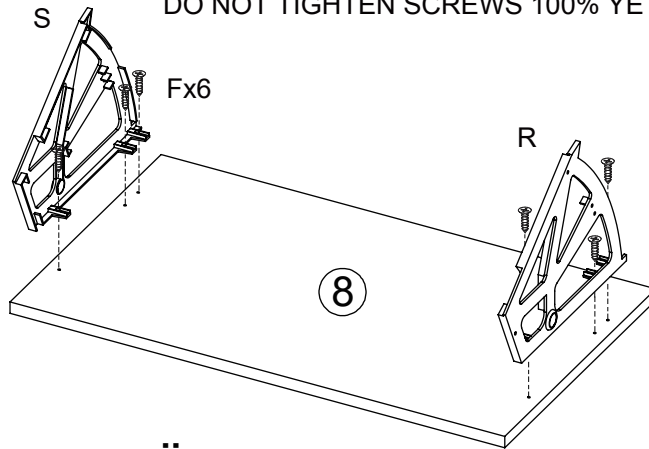


Once flaps have been adjusted, tighten screws (E) to secure hinge mounting plates in their final position.

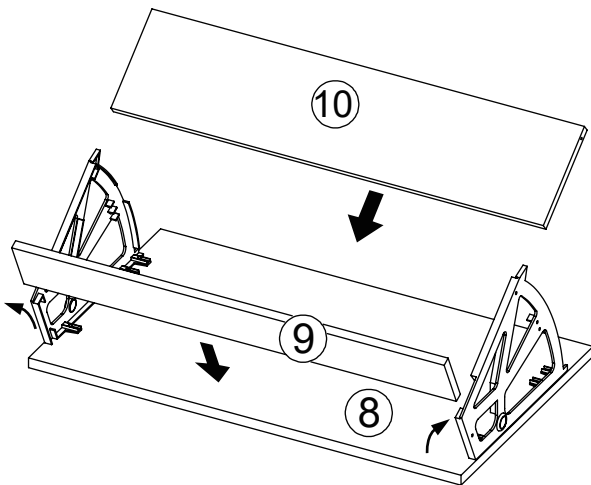
STEP 9

x2 SETS

i.
 LOOSELY FIT THE SWIVELS (R&S)
 TO EACH SIDE OF THE FLAP (8) USING
 SCREWS (F).
 DO NOT TIGHTEN SCREWS 100% YET.



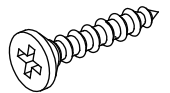
ii.
 GENTLY LEAN SWIVELS (R&S)
 OUTWARDS AND SLIDE THE
 BASE (9) INTO THE GUIDES.
 SLIDE IN THE OUTER PARTITION
 (10) AND MAKE SURE THE PANELS
 ARE SITTING EVENLY IN EACH
 GROOVE, CAREFULLY TIGHTEN
 THE SIX SCREWS (F) 100%.



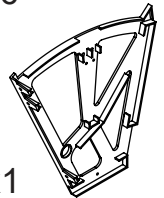
For this step:
Tools required



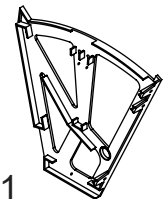
Fittings required



F x 6



R x 1

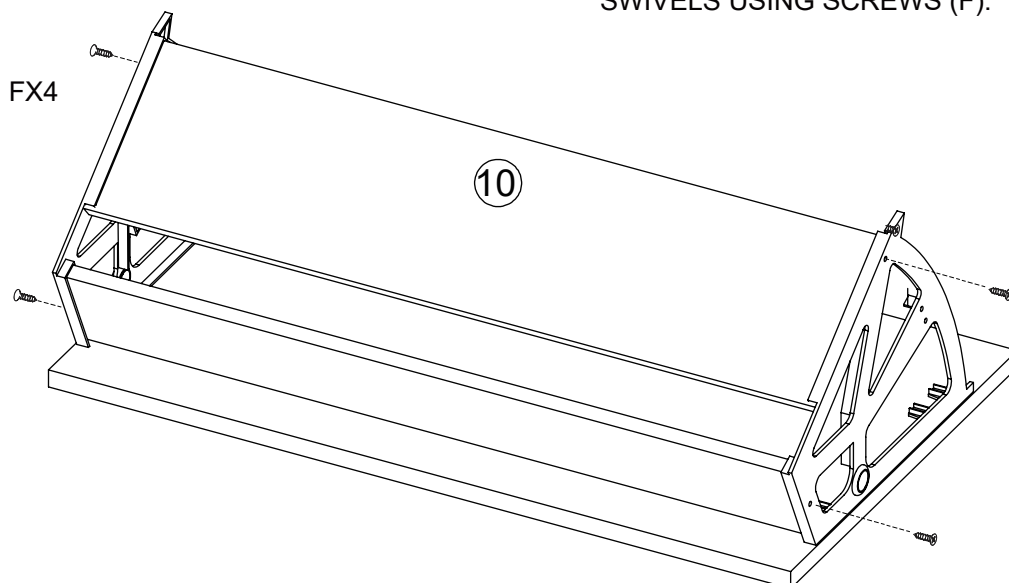


S x 1

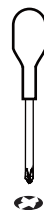
STEP 10

x2 SETS

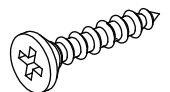
iii.
 CLAMP BASE PANEL (9) AND
 OUTER PARTITION (10) TO THE
 SWIVELS USING SCREWS (F).



For this step:
Tools required

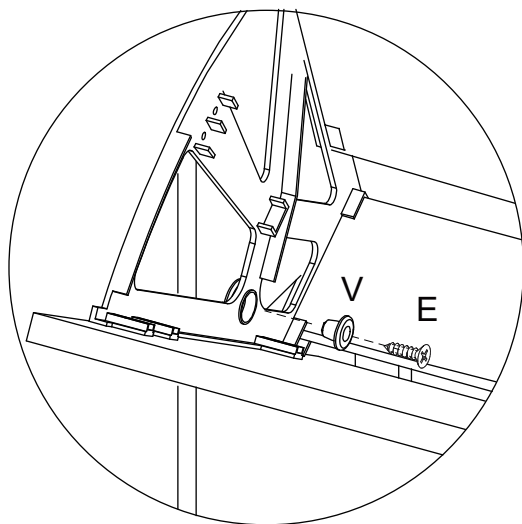


Fittings required

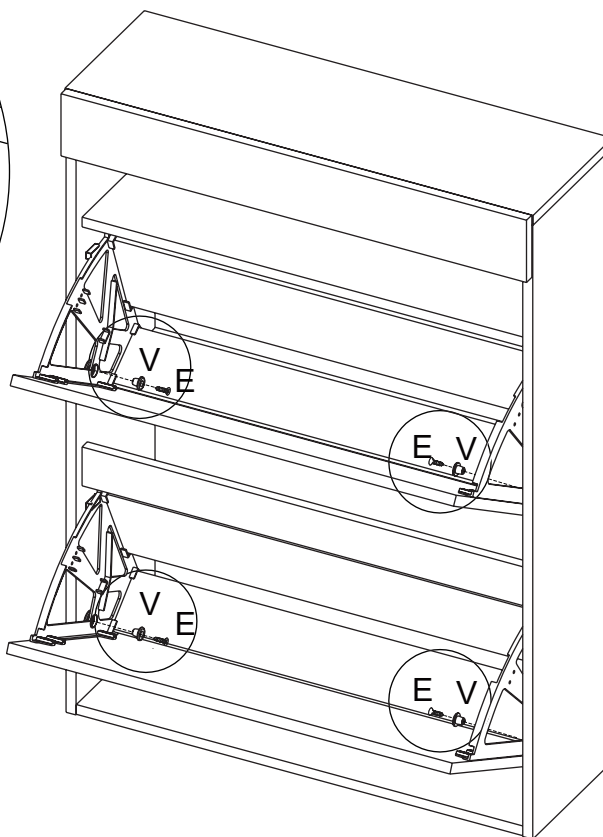


F x 4

STEP 11



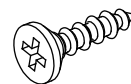
iv.
 CAREFULLY INSERT THE LOWER ASSEMBLED CARRIAGE INTO POSITION BETWEEN THE SIDE PANELS, INSERT PIVOTS (V) AND USING SCREWS (E) FIX INTO PLACE, DO NOT OVERTIGHTEN THE SCREWS. THE CARRIAGE MUST BE KEPT LEVEL WHEN DOING THIS TASK SO PLEASE SEEK HELP FROM YOUR ASSISTANT. REPEAT FOR UPPER CARRIAGE.



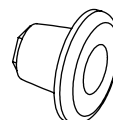
For this step:
Tools required



Fittings required



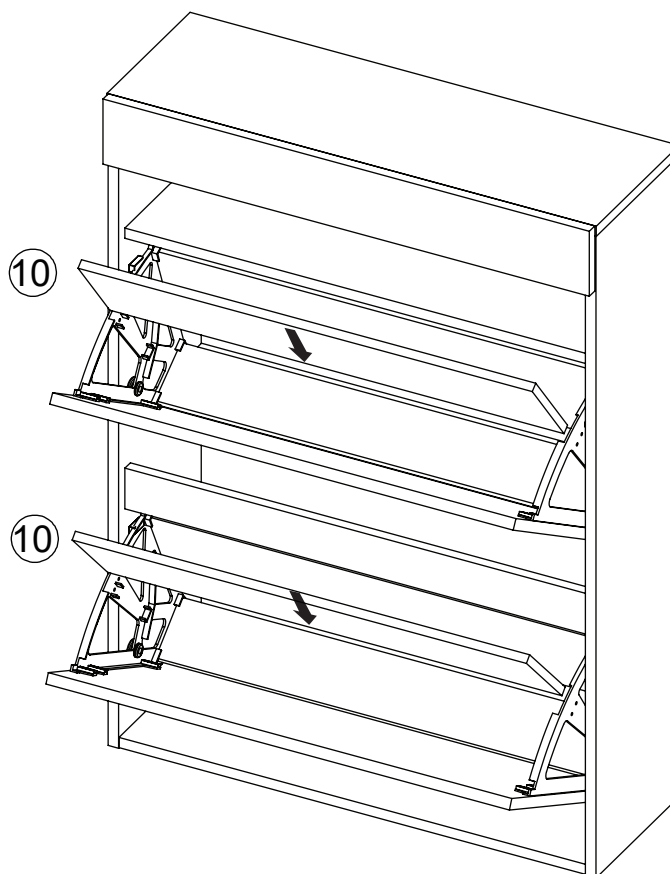
E x4



V x4

STEP 12

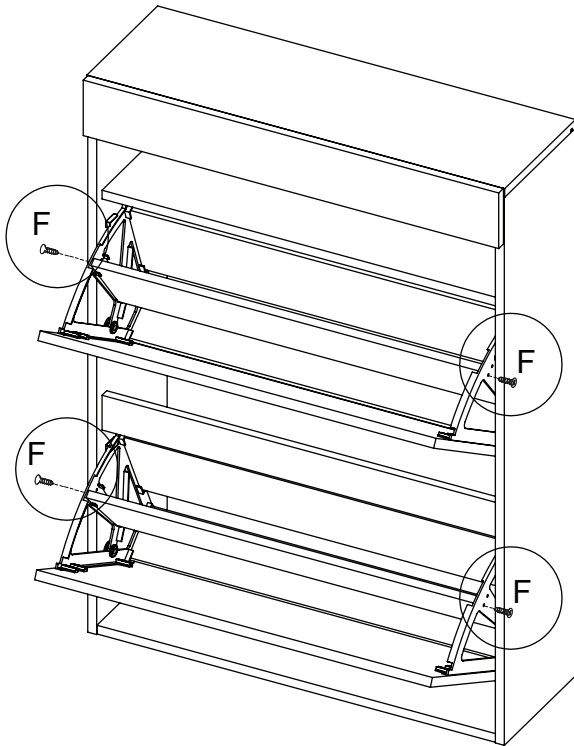
v.
 SLIDE CENTRAL PARTITIONS (10) INTO THE SWIVEL GUIDES.



For this step:
Tools required

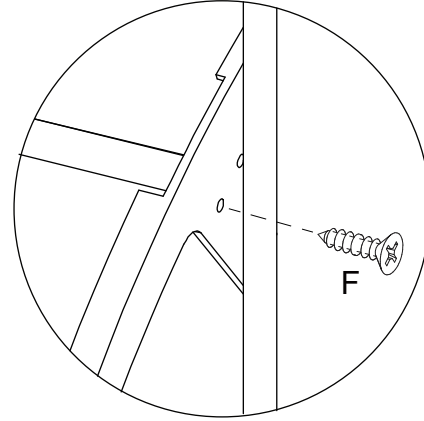
Fittings required

STEP 13



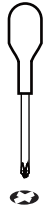
vi.

CLAMP CENTRAL PARTITIONS
(10) IN PLACE USING SCREWS (F).

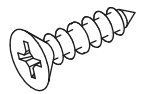


For this step:

Tools required

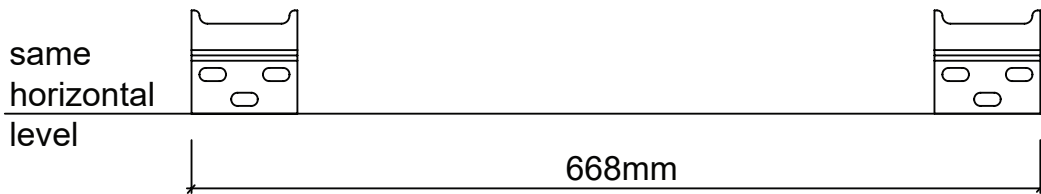


Fittings required



F x4

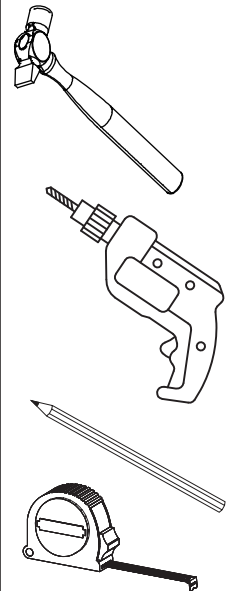
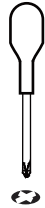
STEP 14



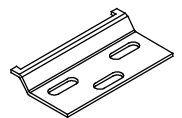
Warning: Always ensure the area to be drilled is free from hidden electrical wires, water or gas pipes.

For this step:

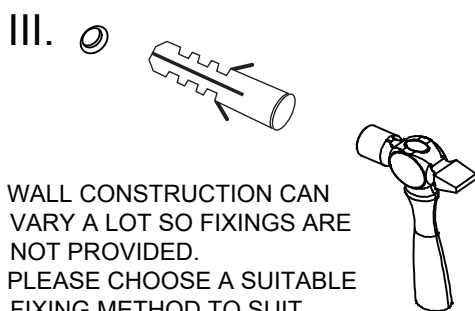
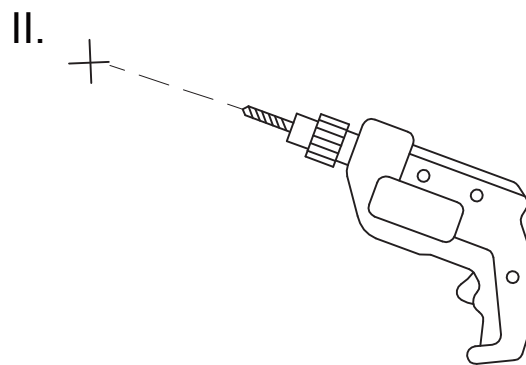
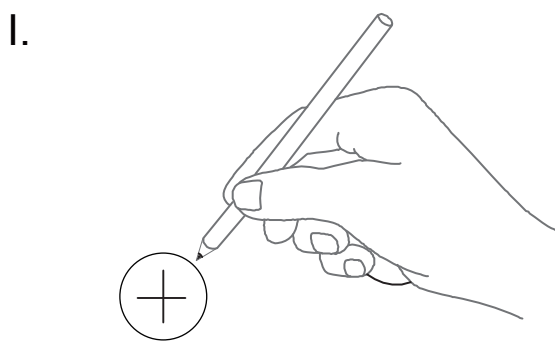
Tools required



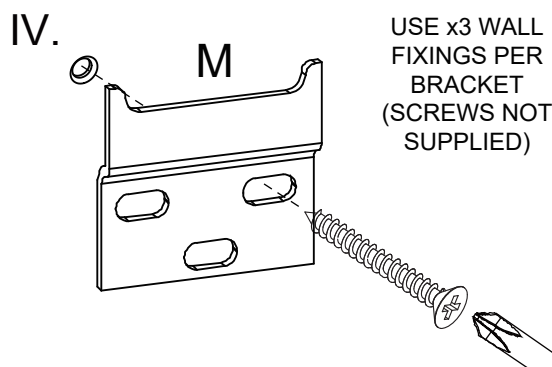
Fittings required



M x2



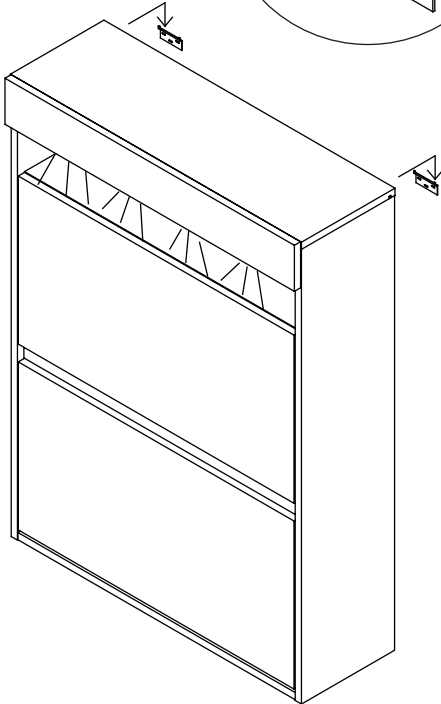
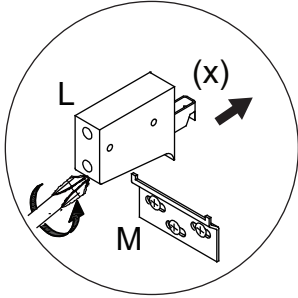
WALL CONSTRUCTION CAN VARY A LOT SO FIXINGS ARE NOT PROVIDED. PLEASE CHOOSE A SUITABLE FIXING METHOD TO SUIT THE WALLS IN YOUR HOME.



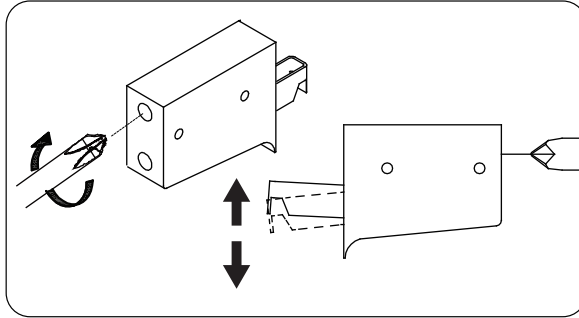
USE x3 WALL FIXINGS PER BRACKET (SCREWS NOT SUPPLIED)

STEP 15

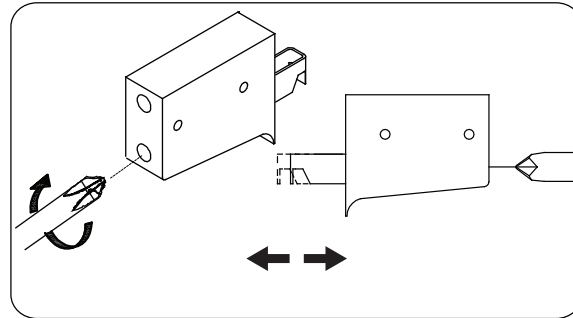
i. On the hanging wall supports make certain hooks (x) are fully extended by turning lower screws anti-clockwise.



ii. With help, hang the cabinet onto the metal wall brackets by carefully aligning the end panels so they just miss the ends of the brackets. Turn upper screw(s) on either side until unit is horizontal.

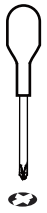


iii. When unit is hanging on the brackets, tighten lower screws clockwise, so clamping unit to wall - do not over-tighten.



For this step:

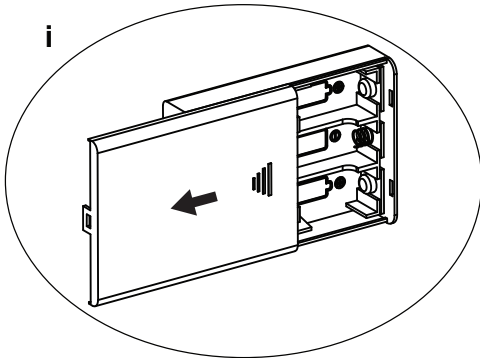
Tools required



CHANGING THE BATTERIES

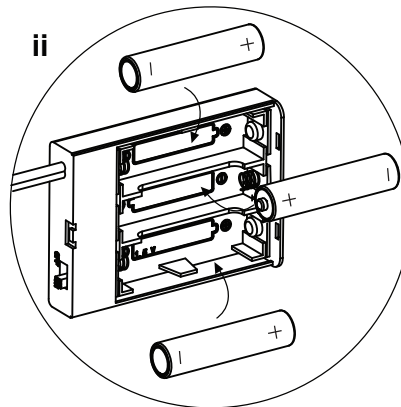
SLIDE OFF THE LID

i



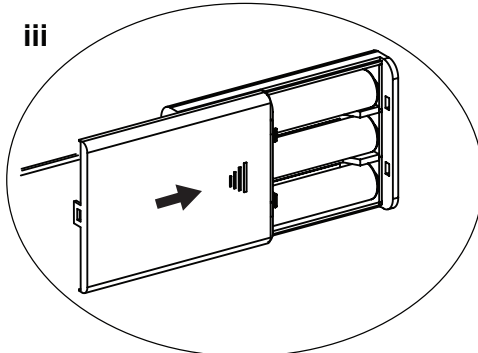
CHANGE BATTERIES

ii

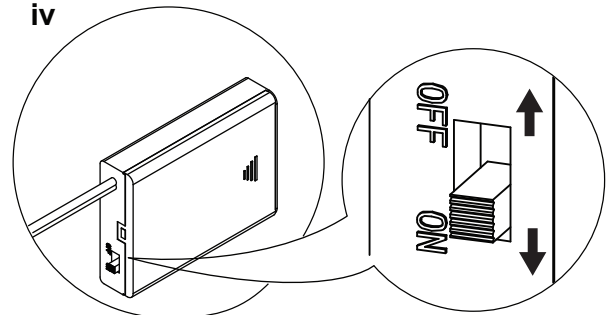


SLIDE LID BACK ON

iii



iv



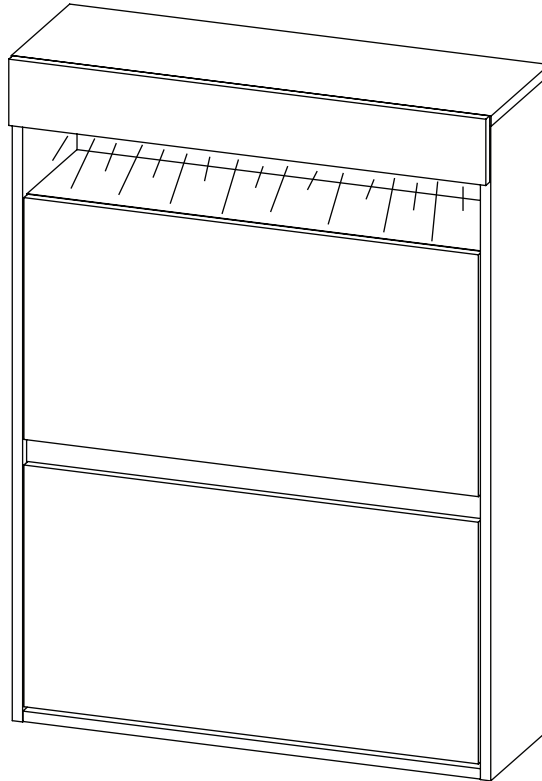
USE GOOD QUALITY AA BATTERIES. FOR BEST RESULTS USE RE-CHARGEABLES.

Assembly Completed

Your Galicia Shoe Cabinet is now completely assembled.

Periodically check to ensure that the components are in their proper position, free from damage.

Also, make sure the connectors are tight and secure.



Keep instructions for future reference

