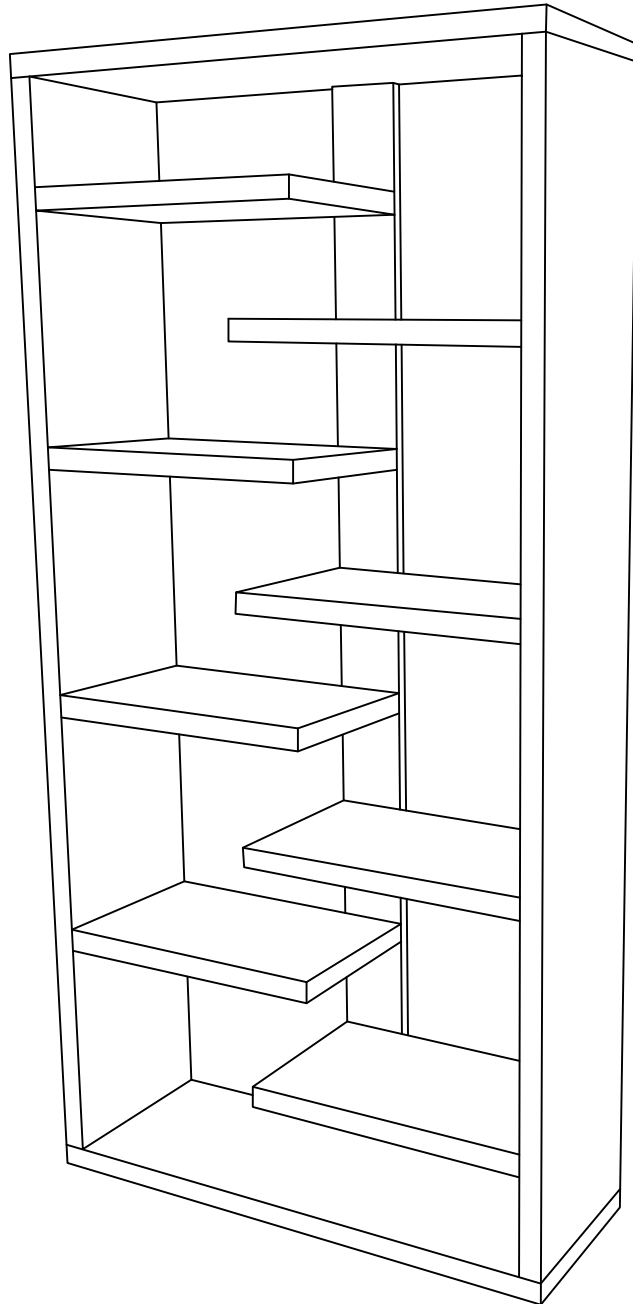
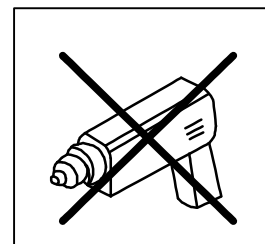


# TORONTO WALL UNIT



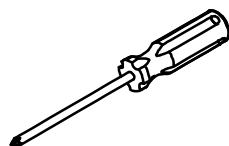
**DO NOT USE POWER TOOLS DURING ASSEMBLY AS IT MAY DAMAGE THE PRODUCT, AND WARRANTY WILL BE VOIDED.**



**PLEASE CHECK THAT THE COMPONENTS AND FITTINGS ARE COMPLETE AND THE QUANTITIES ARE CORRECT BEFORE ASSEMBLY. SHOULD THERE BE MISSING OR DAMAGED FITTINGS AND COMPONENTS, DO NOT ASSEMBLE THE PRODUCT. CONTACT THE SUPPLIER IMMEDIATELY.**

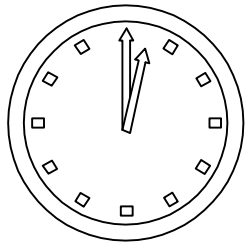
**FOR THE PRODUCT TO FUNCTION PROPERLY, IT IS RECOMMENDED THAT ALL BOLTS, NUTS AND SCREWS BE TIGHTENED PERIODICALLY(EVERY 2-3 MONTHS). PLEASE DO NOT OVER TIGHTEN TO AVOID DAMAGING THE PRODUCT.**

**ASSEMBLY TOOLS REQUIRED**

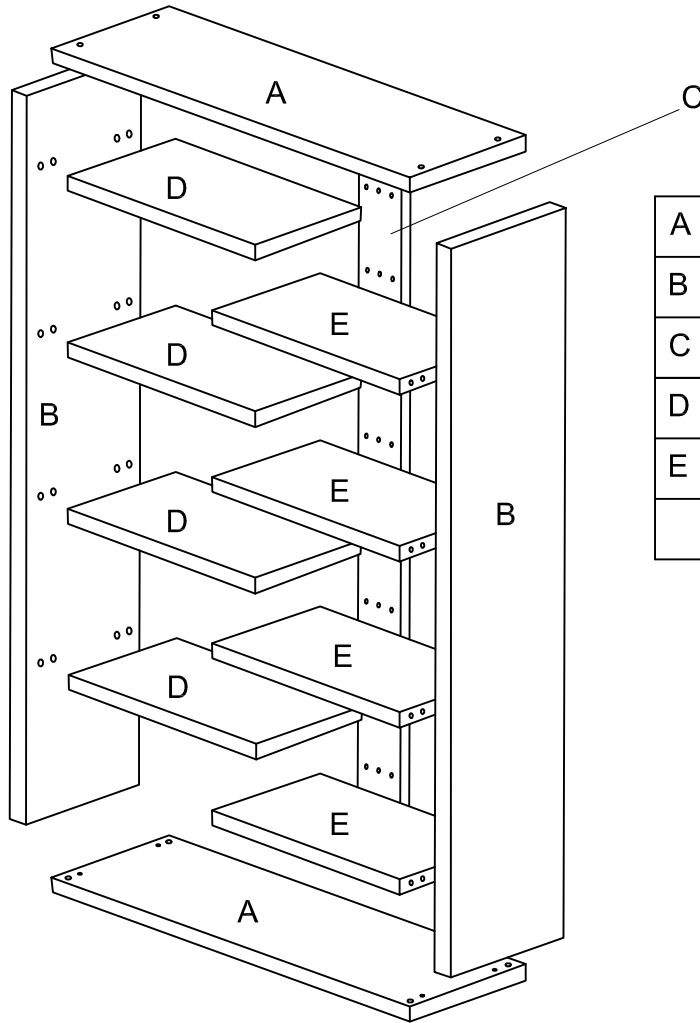
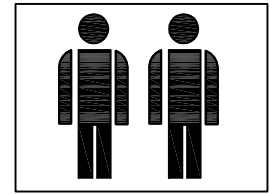
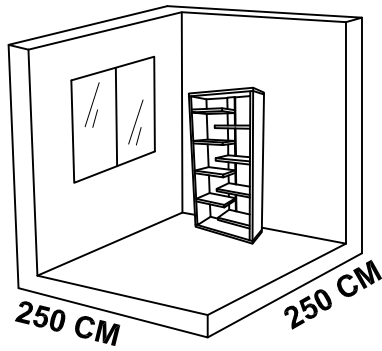


**Philip Head  
Screw Driver**

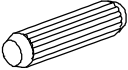
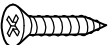
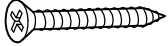
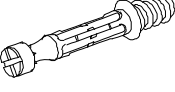
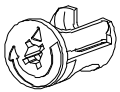
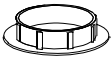
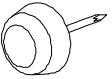
**NOT INCLUDED**


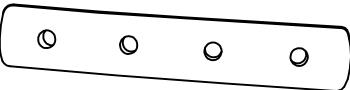
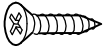



20 Min

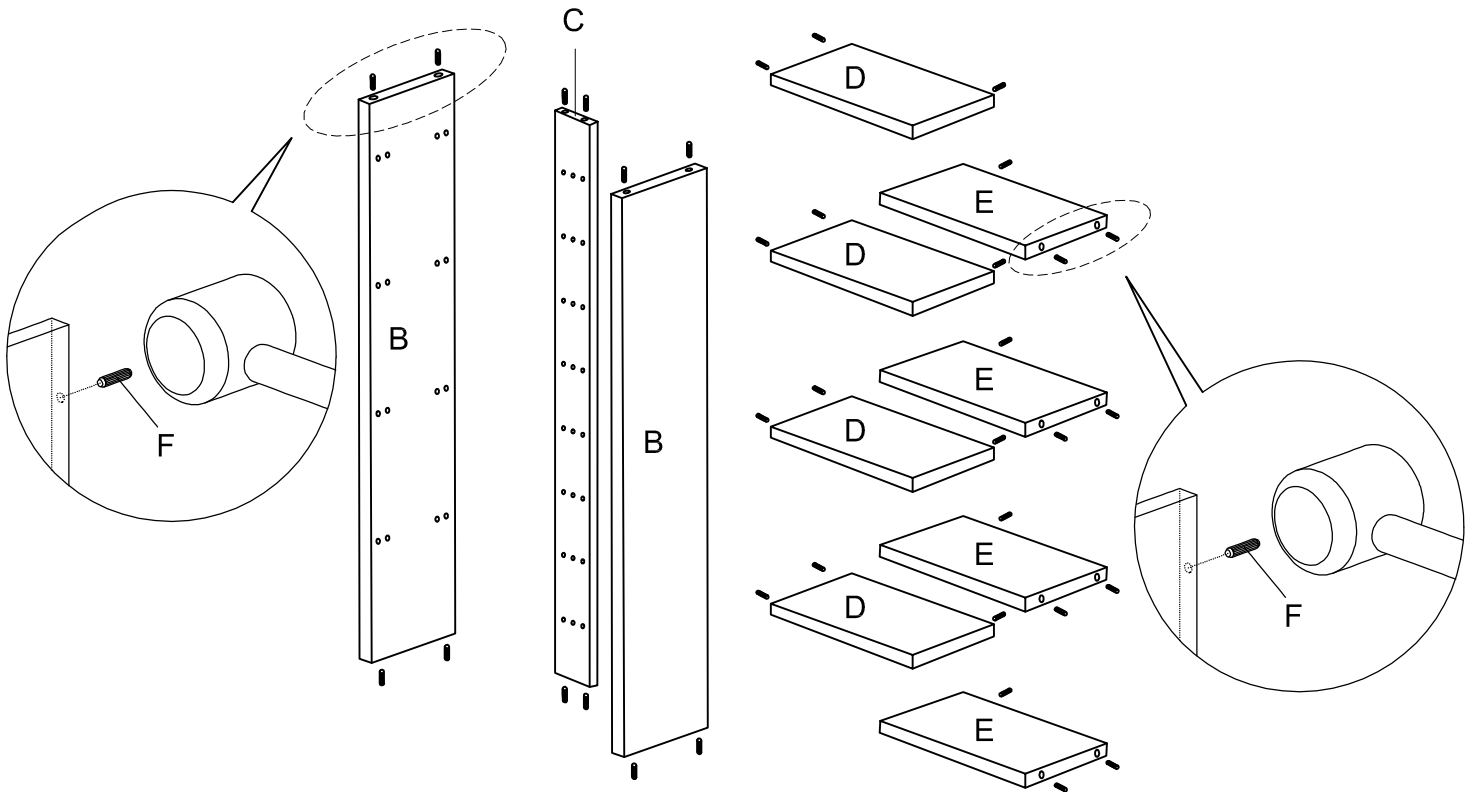


A	2	900 x 290 x 34 mm
B	2	1730 x 288 x 34 mm
C	1	1730 x 112 x 15 mm
D	4	470 x 270 x 34 mm
E	4	470 x 270 x 34 mm

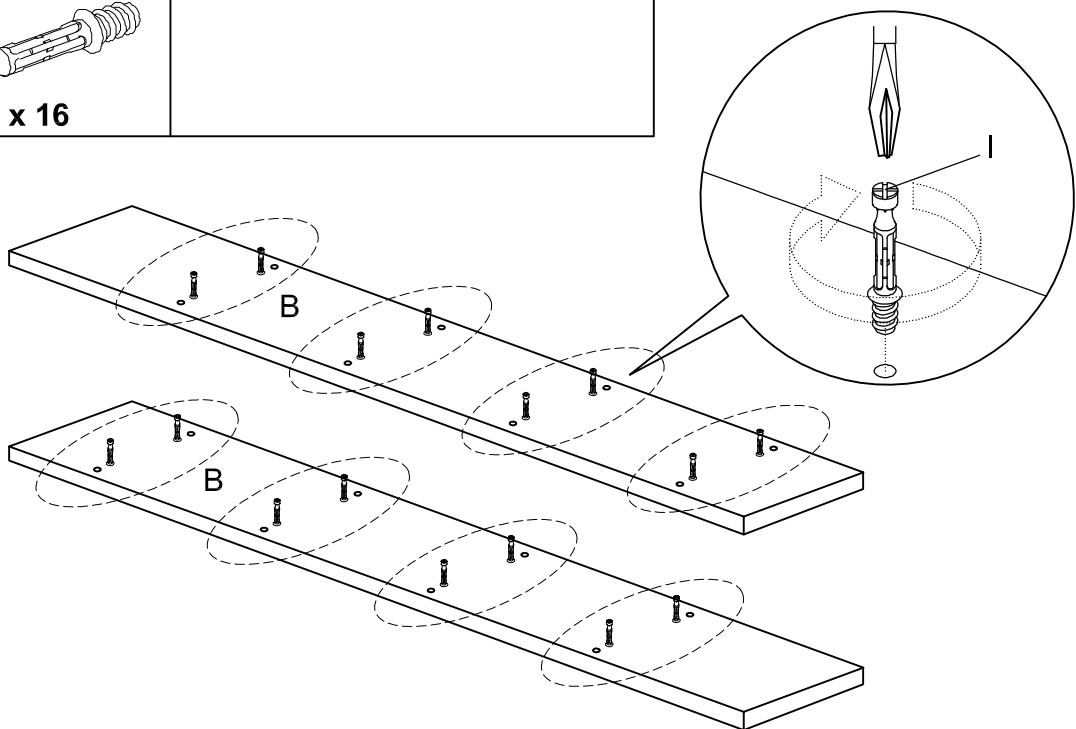
(F) WOOD DOWEL  36 PCS	(G) M5 X 38 SCREW  16 PCS	(H) M4 X 65 SCREW  10 PCS	(I) METAL DOWEL  16 PCS	(J) LOCKING NUT  16 PCS	(K) 15 MM CAP  16 PCS	(L) NAIL LEG  6 PCS
--------------------------------------------------------------------------------------------------------------------	-----------------------------------------------------------------------------------------------------------------------	-----------------------------------------------------------------------------------------------------------------------	---------------------------------------------------------------------------------------------------------------------	----------------------------------------------------------------------------------------------------------------------	---------------------------------------------------------------------------------------------------------------------	-------------------------------------------------------------------------------------------------------------------

(M) ANCHOR PLUG Ø7.5 X 30mm  1 PC	(N) PLASTIC PLATE 84MM  1 PC	(O) M3.5 X 16 SCREW  2 PCS	(P) M4 X 32 Screw  1 PC
-------------------------------------------------------------------------------------------------------------------------------	--------------------------------------------------------------------------------------------------------------------------	--------------------------------------------------------------------------------------------------------------------------	-----------------------------------------------------------------------------------------------------------------------

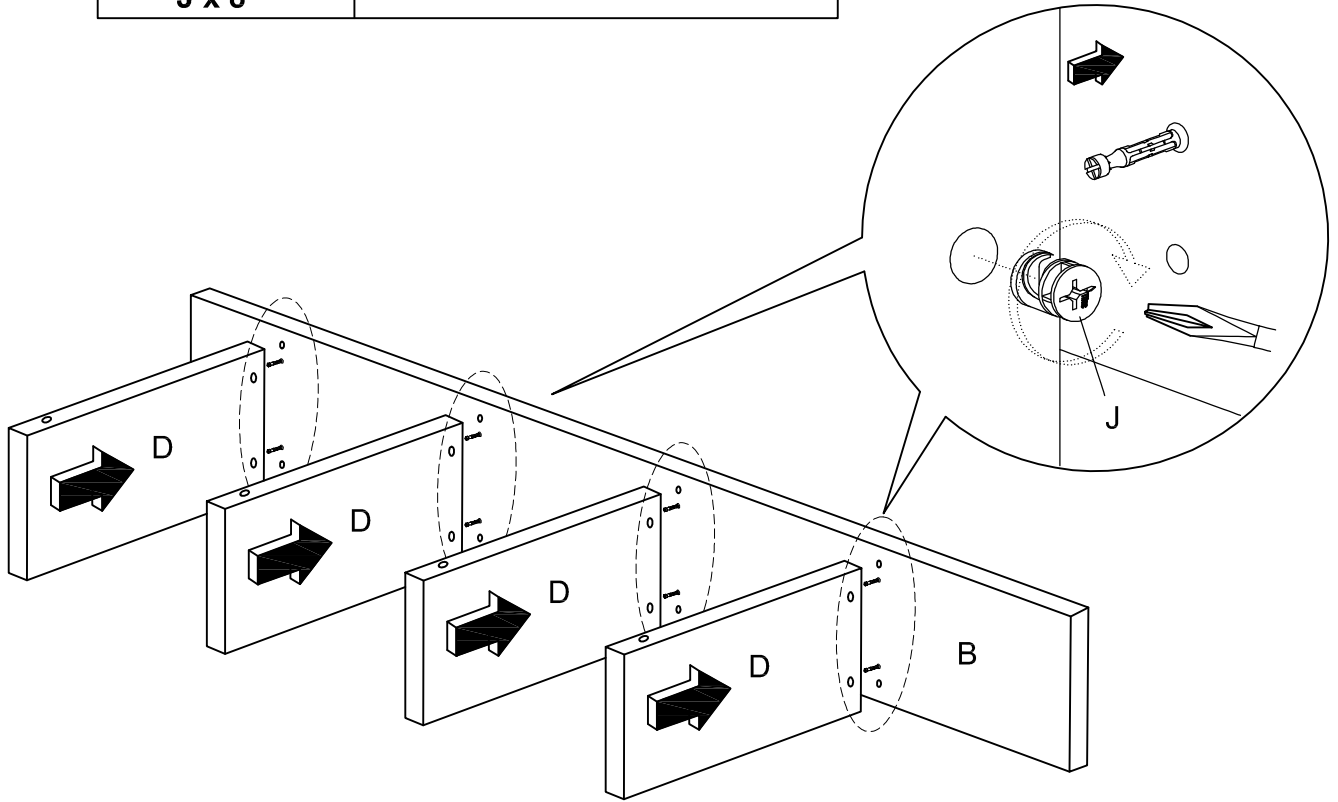
# 1



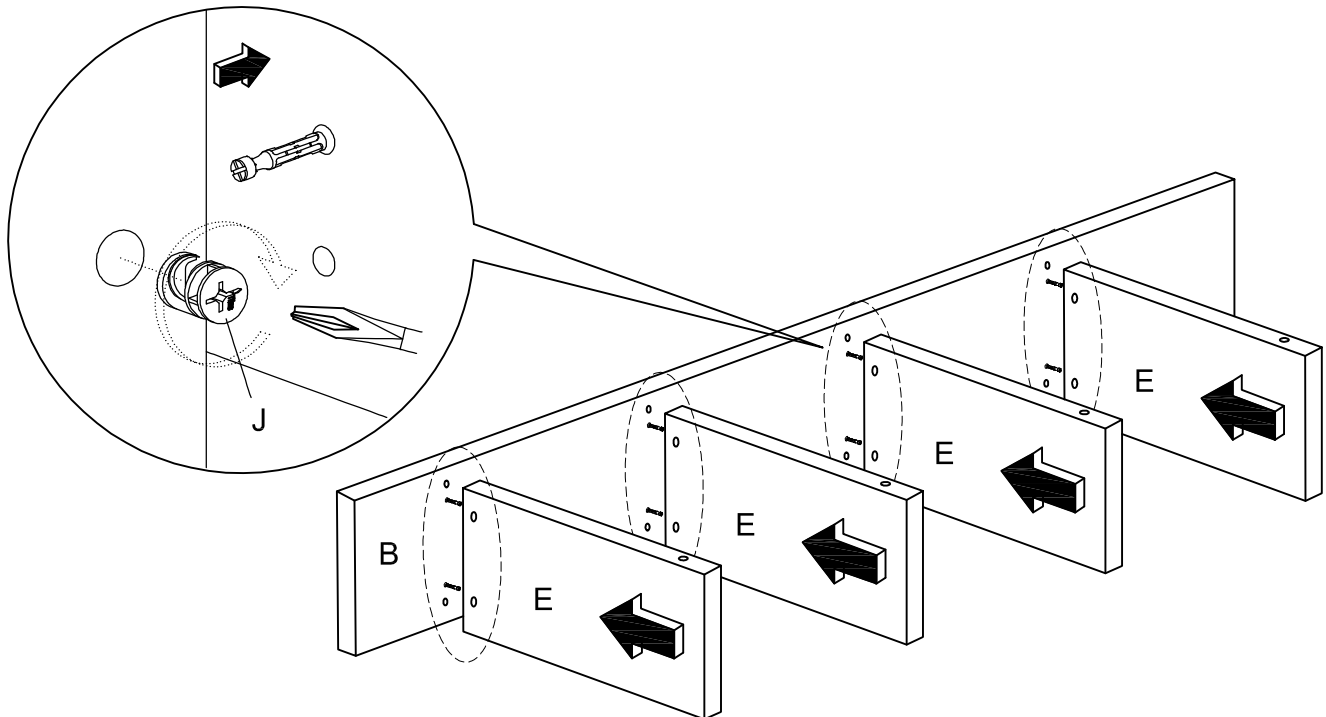
# 2



3



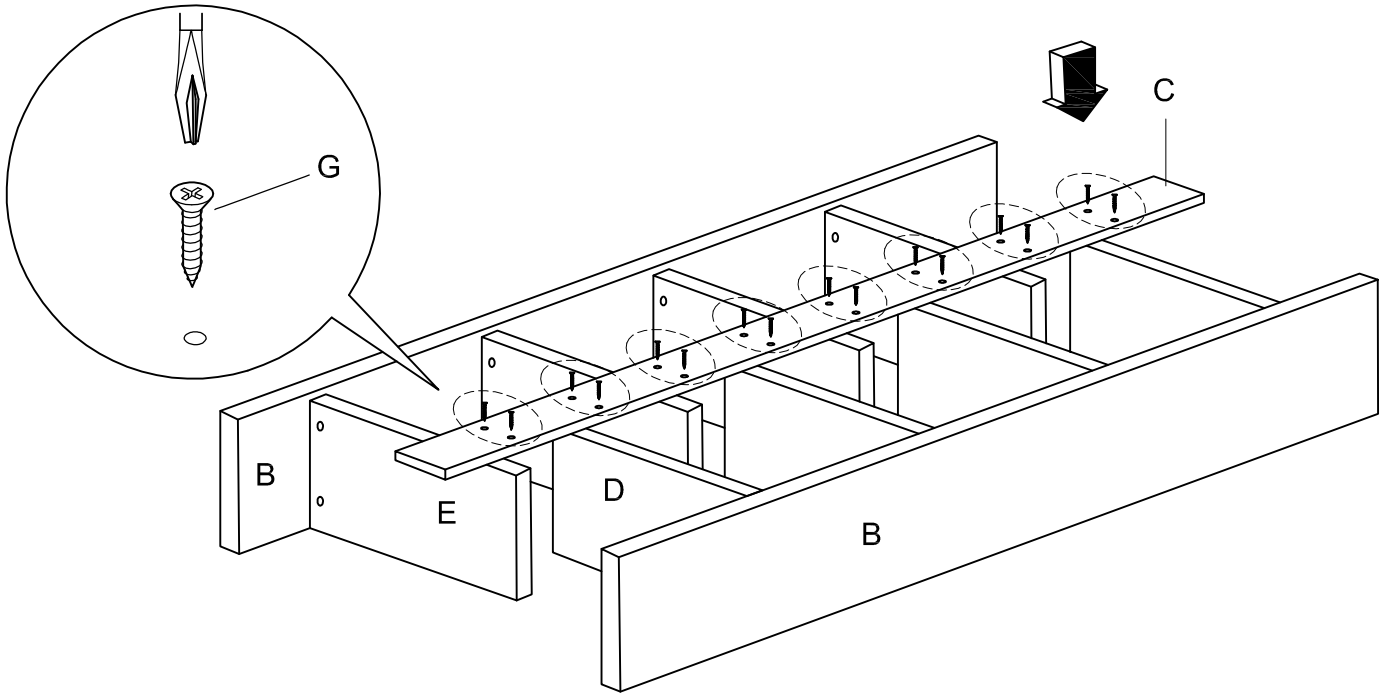
4



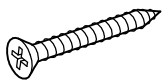
# 5



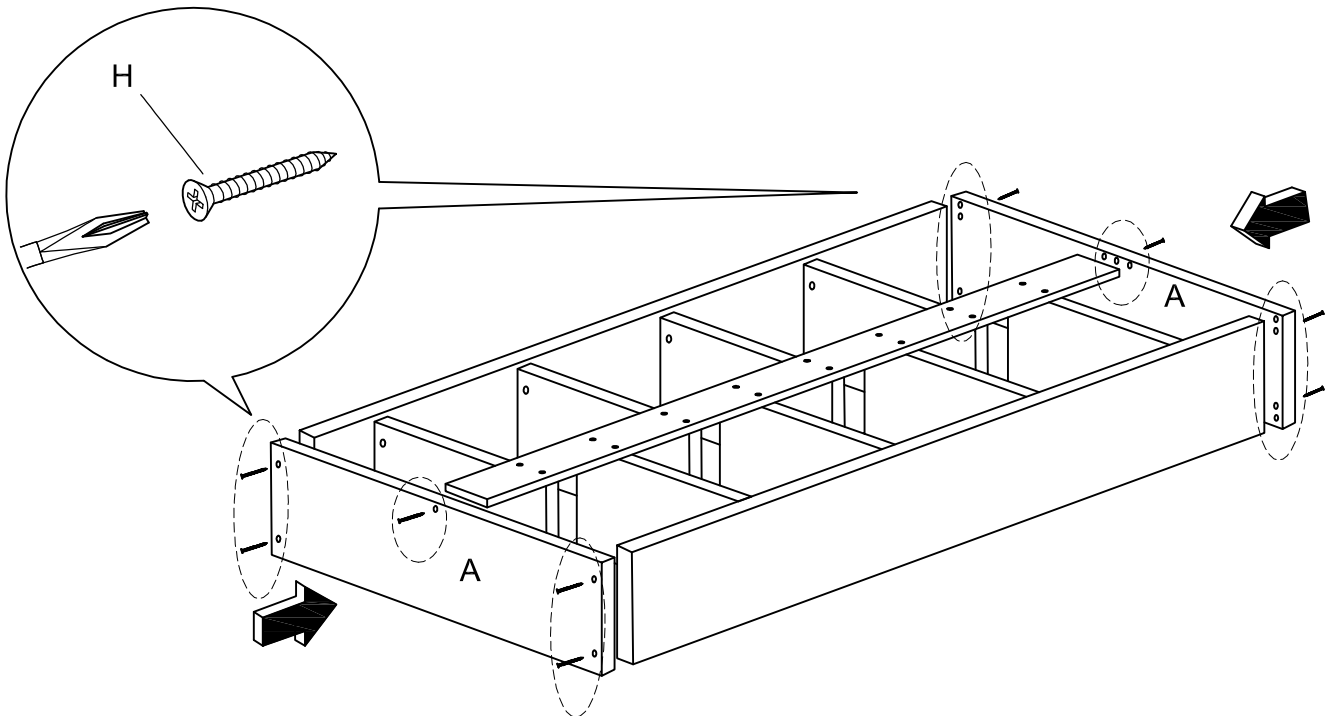
G x 16



# 6



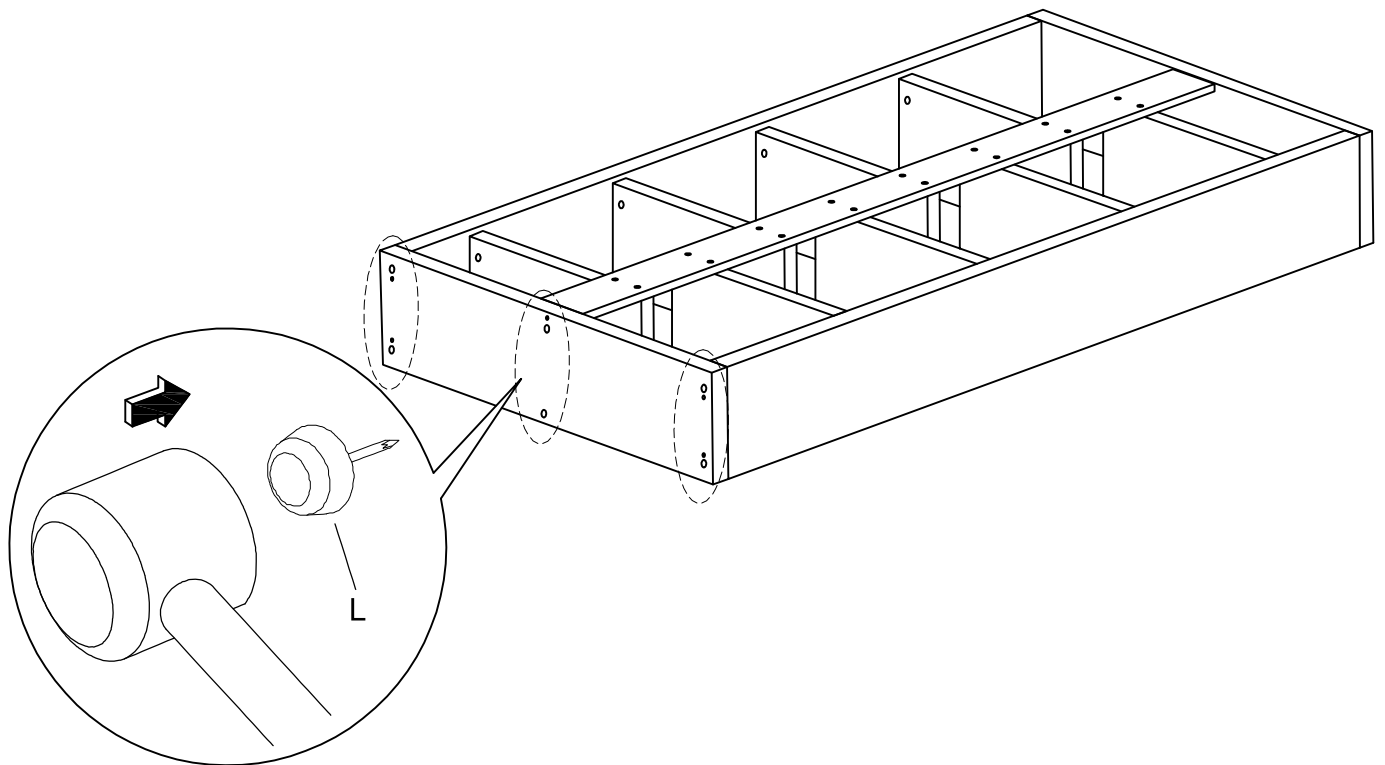
H x 10



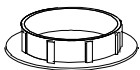
# 7



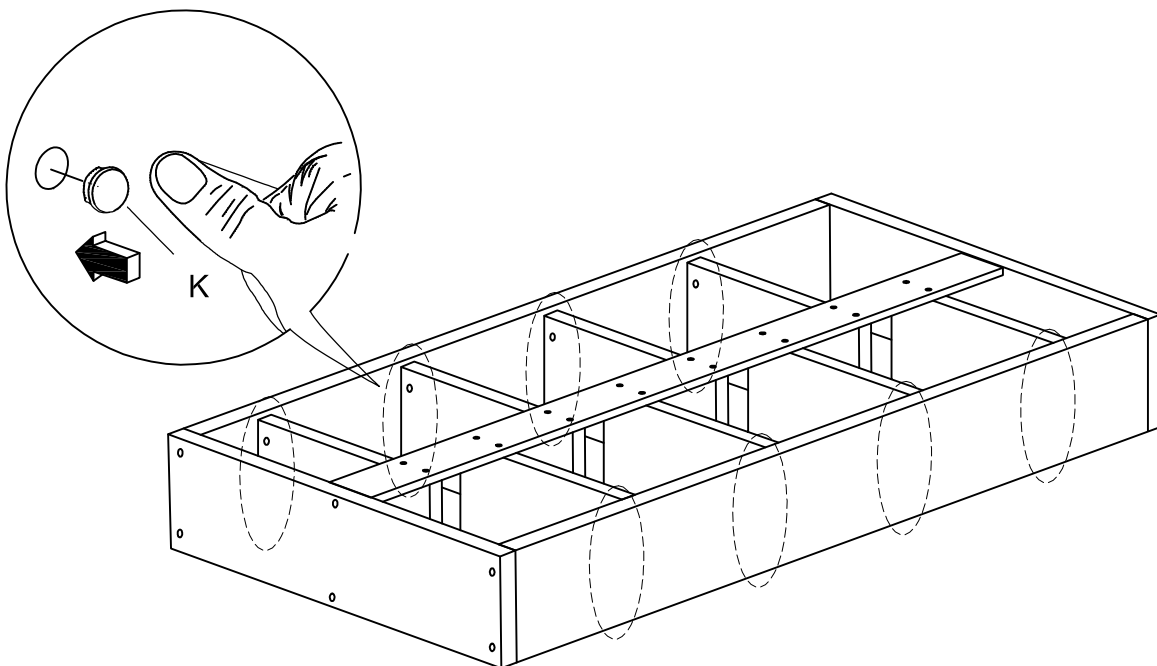
L x 6



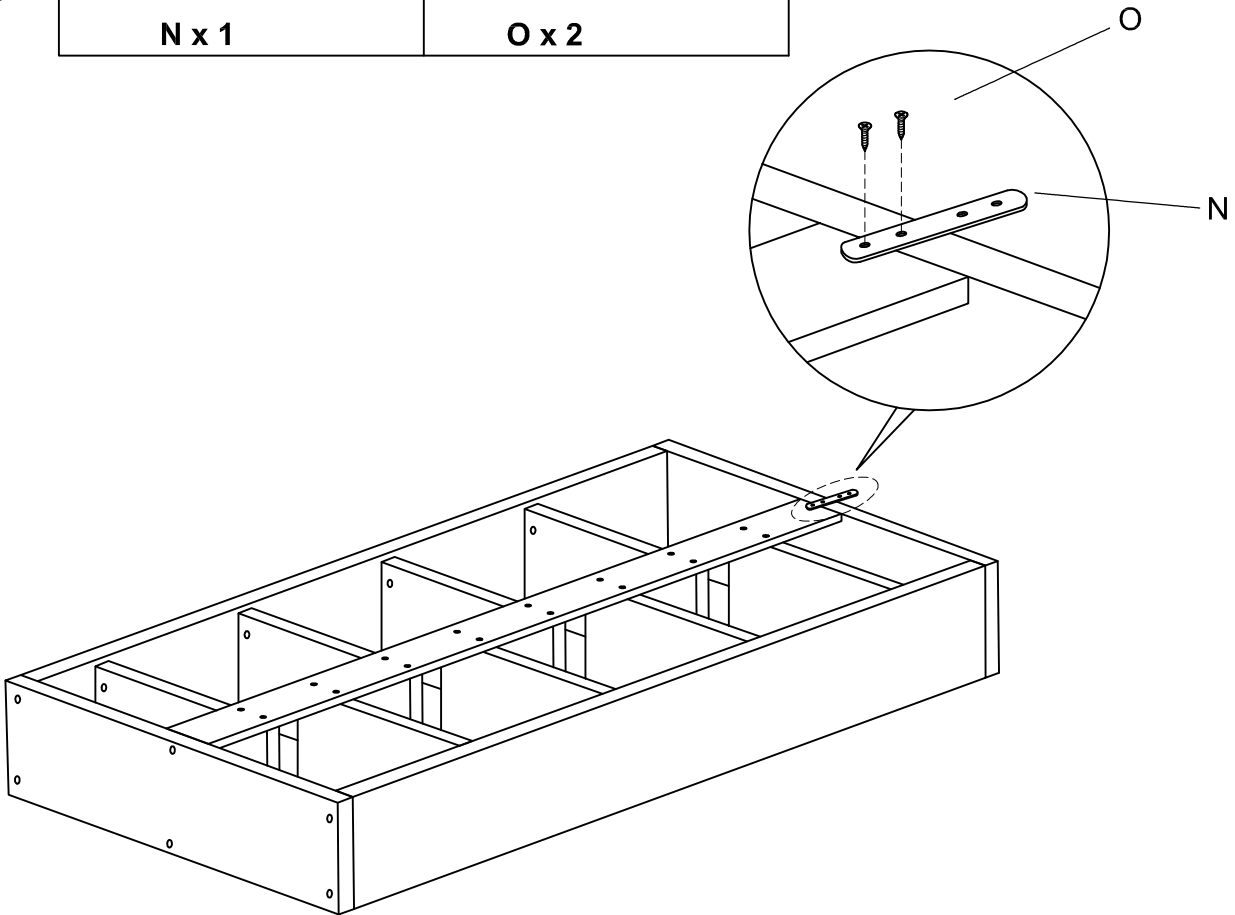
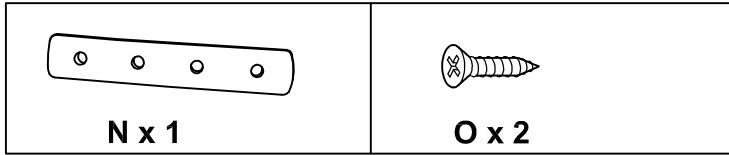
# 8



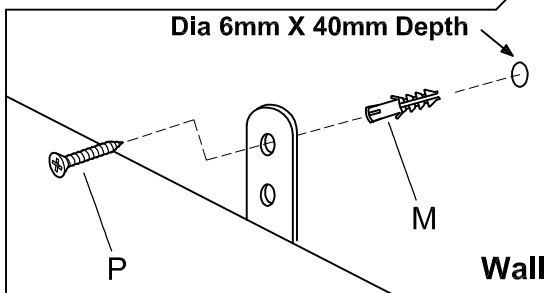
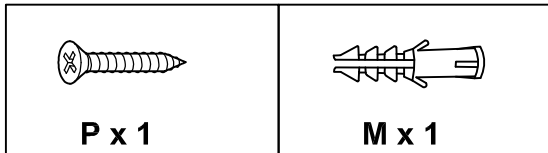
K x 16



# 9



# 8



**DIFFERENT WALL MATERIALS REQUIRE UNIQUE FASTENERS. THE WALL PLUG SUPPLIED IS DESIGNED FOR FIXING TO CONCRETE WALLS ONLY. CONSULT YOUR LOCAL HARDWARE STORE IF UNCLEAR.**

