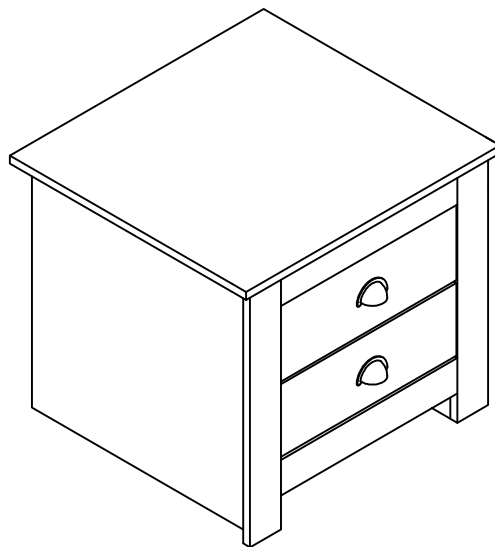



LANCASTER BEDSIDE

Assembly Instructions - Please keep for future reference



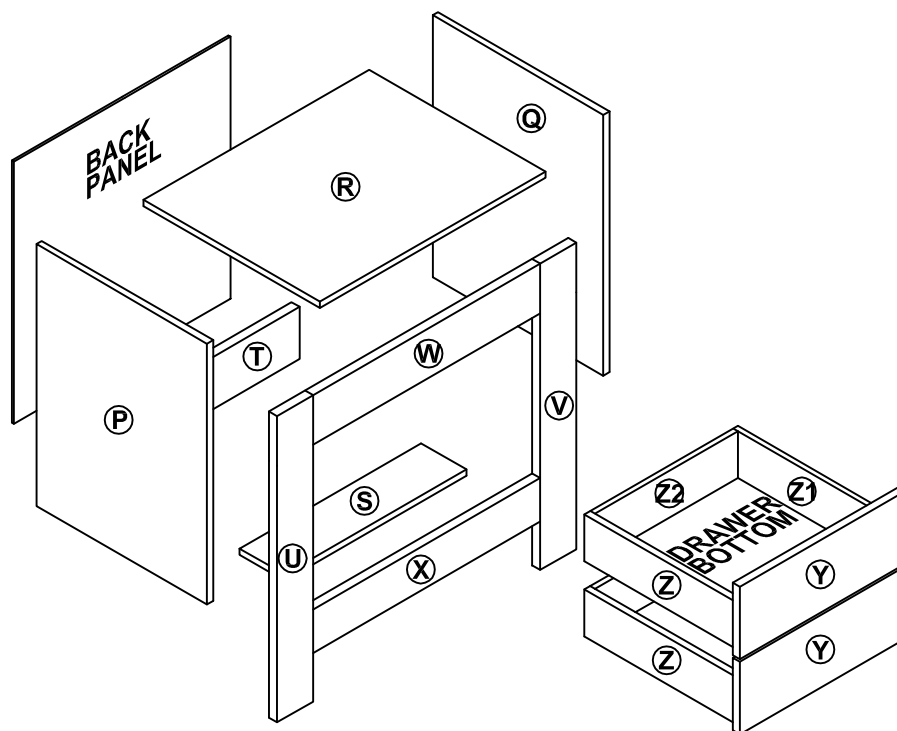
No. people	Assembly Time
	30 Minutes (approx.)

" SHOULD IT BE NECESSARY TO RETURN THIS PRODUCT FOR ANY REASON,
IT MUST BE RETURNED IN ITS ORIGINAL PACKAGING"

Important: Read carefully

- Please check you have all parts listed on your assembly sheet. In the unlikely event that any parts are missing, please contact your retailer immediately.
- Do not use any other tools than those listed on your assembly sheet / tools provided. Use of power tools could damage your product and returns would not be accepted back in these circumstances. Use of power tools could also make your product unsafe due to overtightening.
- Depending on the amount of use your product receives, it may be necessary to tighten the fixings from time to time.
- Assemble your product on a soft surface to avoid scratching and also preferably in the room intended for use to avoid having to move the product unnecessarily once assembled.
- For cleaning please use a clean damp cloth or duster. Use of abrasive or chemical cleaners will most likely scratch or damage the surface of your product. We do not accept returns for damages arising from incorrect care of products.
- Please keep the original packing until your item is fully assembled and in place. In the unlikely event you need to return your product. It must be returned back in its original packing to avoid any damage.
- The surface of this item is not heat resistant. Please use a mat under hot, cold or wet items to prevent marking.

Exploded View



Components - Panels

Please check that you have all the components listed below before constructing your items.

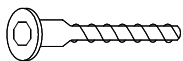
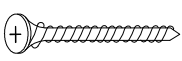
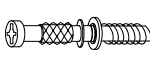

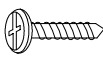
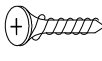

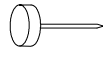

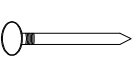

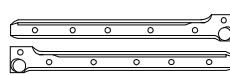
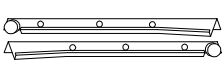


Part No	Description	Qty
P	Side Panel - L	1
Q	Side Panel - R	1
R	Top Panel	1
S	Bottom bar	1
T	Back Bar	1
U	Side Profile - L	1
V	Side Profile - R	1
W	Top Profile	1
X	Bottom Profile	1
Y	Drawer Front	2
Z	Drawer Side - L	2
Z1	Drawer Side - R	2
Z2	Drawer Back	2
	Drawer Bottom	2
	Back Panel	1

Components - Fixings

Please check that you have all the components listed below before constructing your items.

Note: The quantities below are the correct amount to complete the assembly. In some cases more fittings may be supplied than are required.

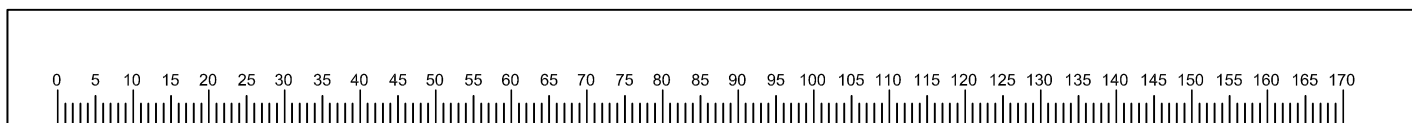
***Hardware packed separately according to the code.**

(A)	Unitar 6.3 x 40mm	(B)	Screw M4x38mm	(C)	Minifix Bolt	(D)	Dowel M8 x 30mm
							
	4 units		8 units		14 units		18 units
(E)	Screw #6x16mm	(F)	Screw M3.5x15mm	(G)	Screw M6 x 8mm	(H)	Nail Leg
							
	4 units		8 units		8 units		4 units
(I)	Minifix Cam	(J)	Nail Pin	(K)	Handle	(L)	Drawer Slide 14"
							
	14 units		10 units		2 units		2 sets
(M)	Drawer Slide 14"	(N)	Seal Sticker	(O)	M4		
							
	2 sets		4 units		1 unit		

Tools Required









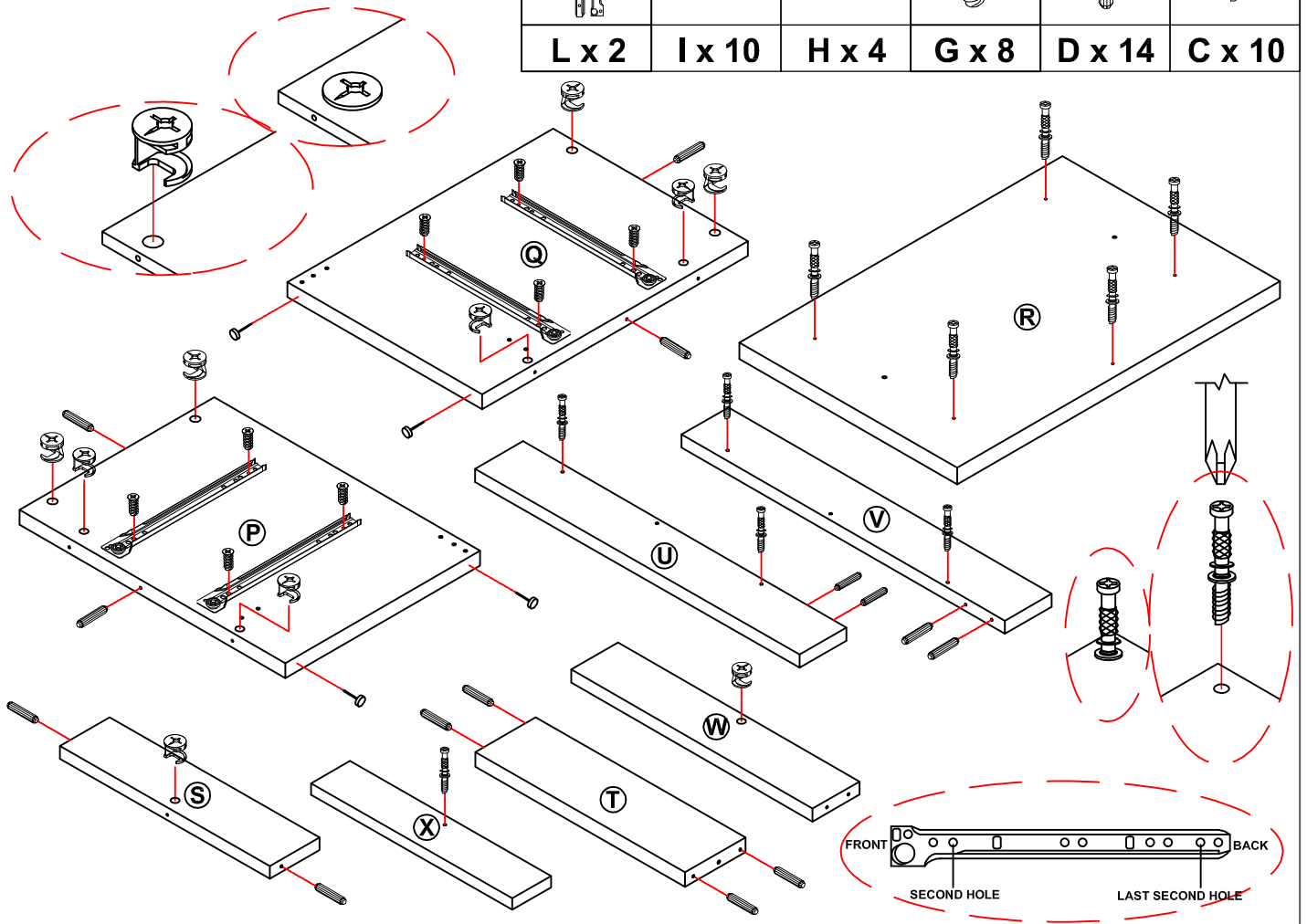
Ruler - Use this to measure your screws (mm)




Assembly Instructions

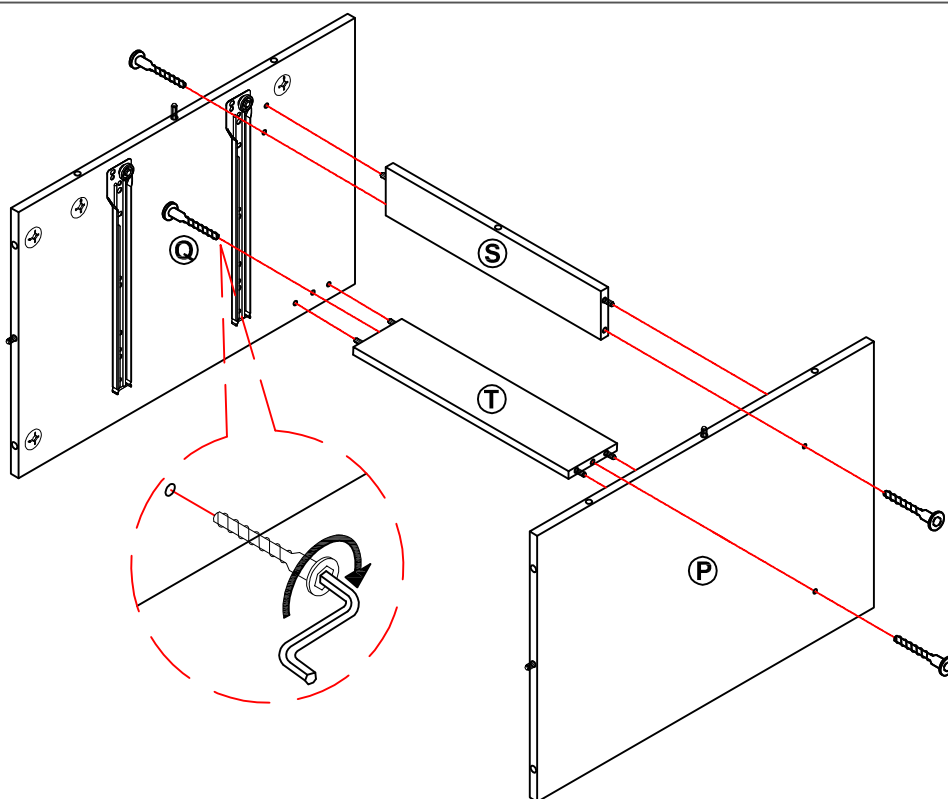
Step 1

					
L x 2	I x 10	H x 4	G x 8	D x 14	C x 10

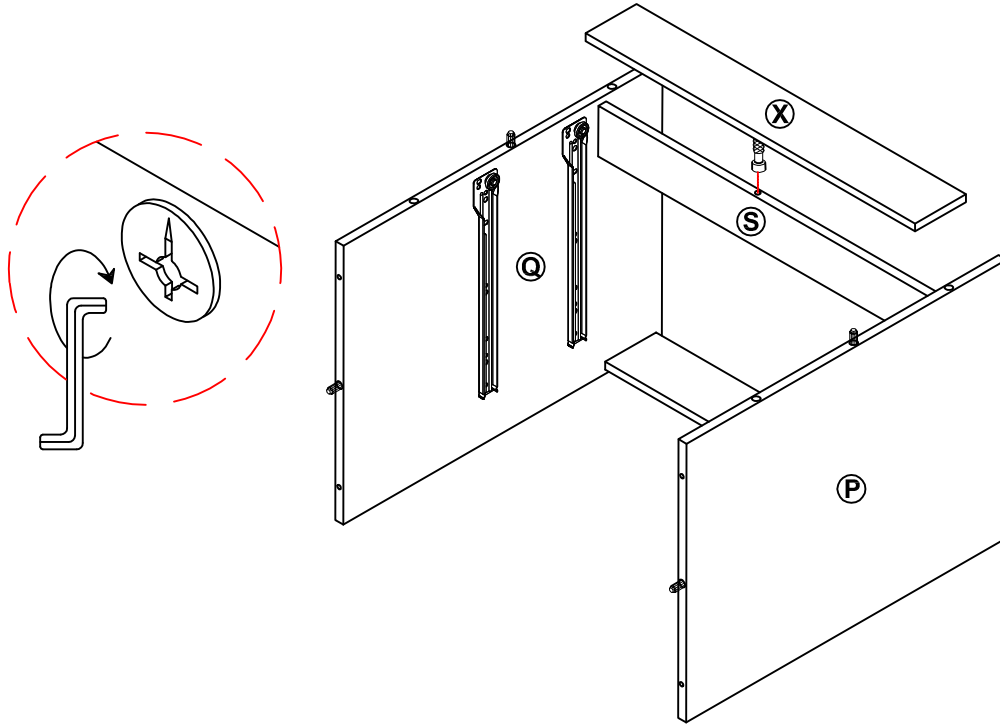


Step 2

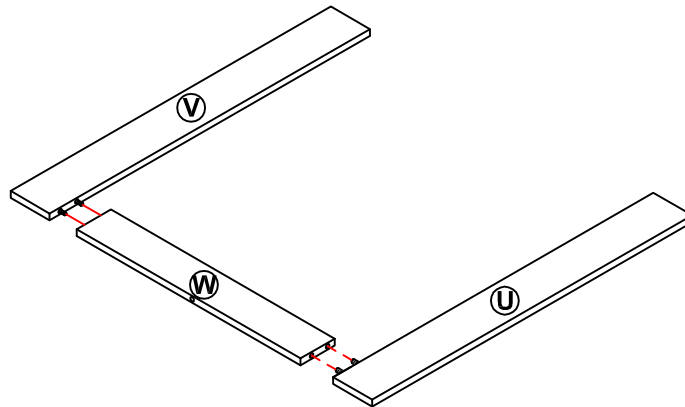

A x 4



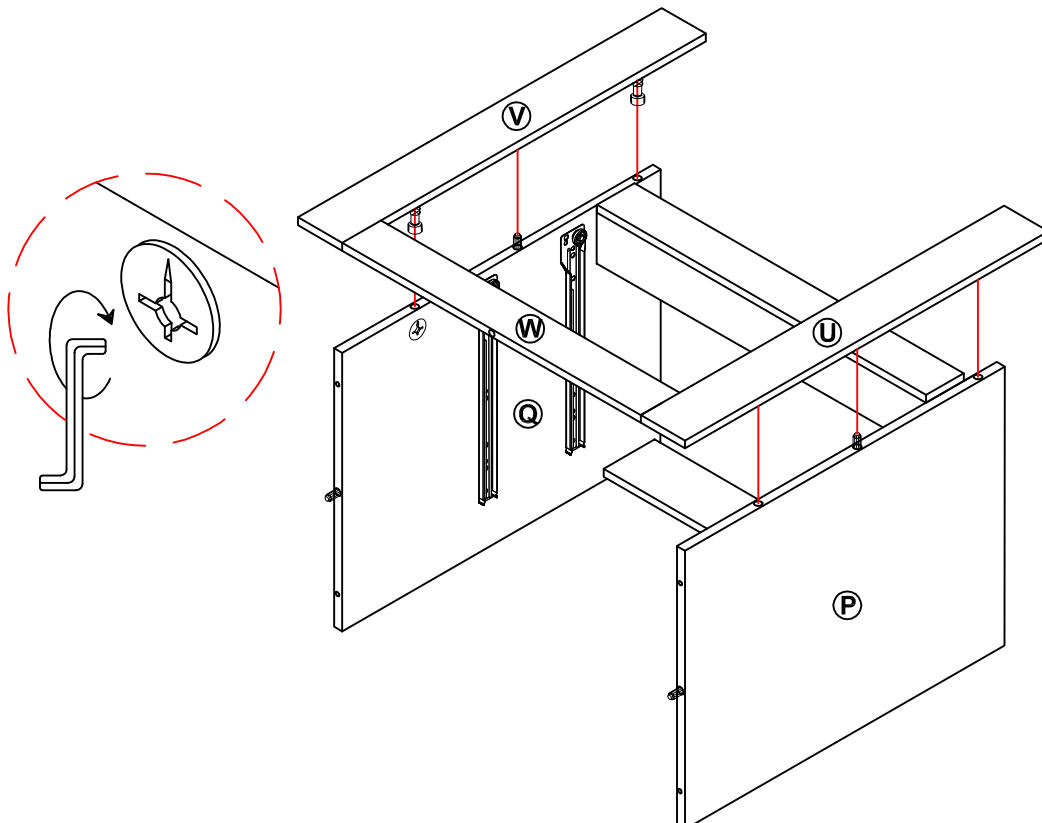
Step 3



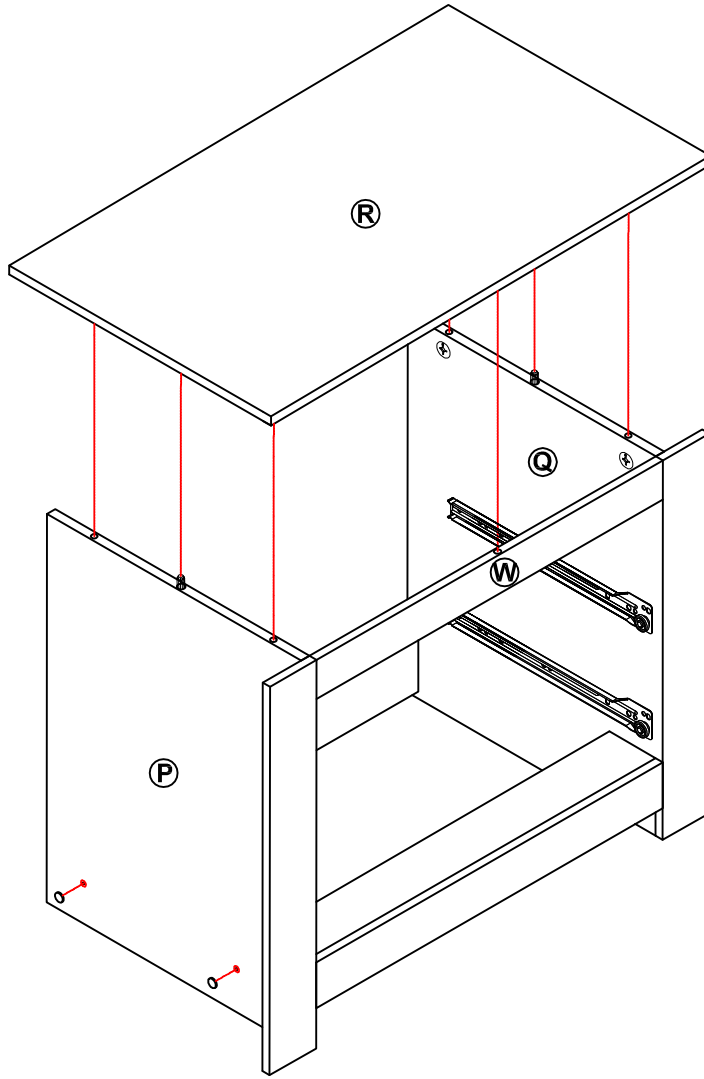
Step 4



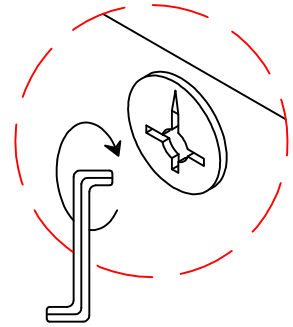
Step 5



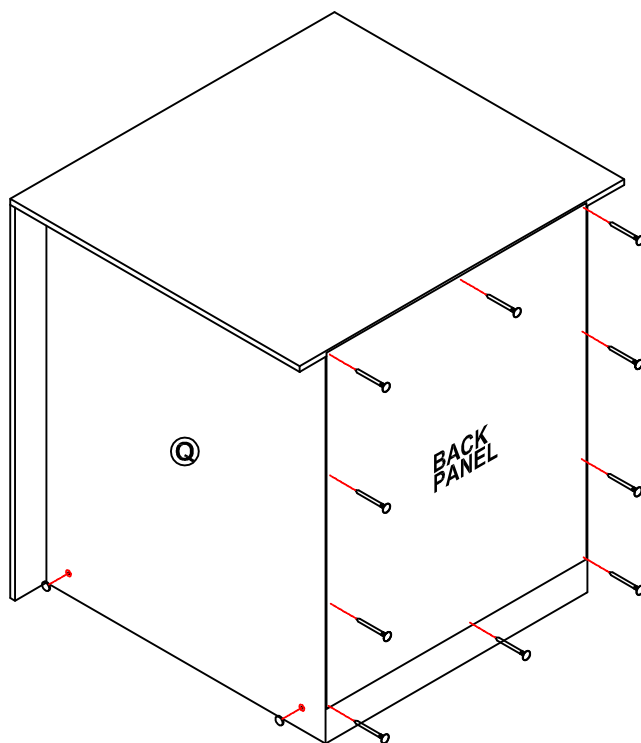
Step 6



N x 2



Step 7

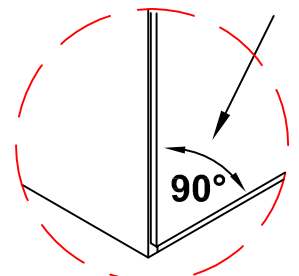


N x 2

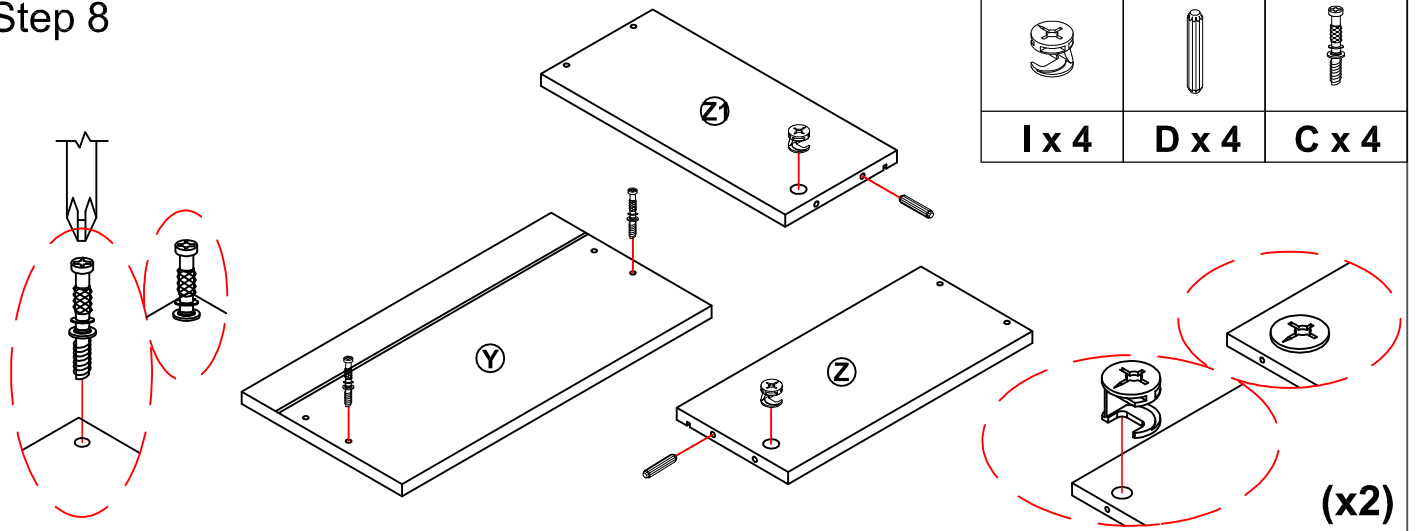


J x 10

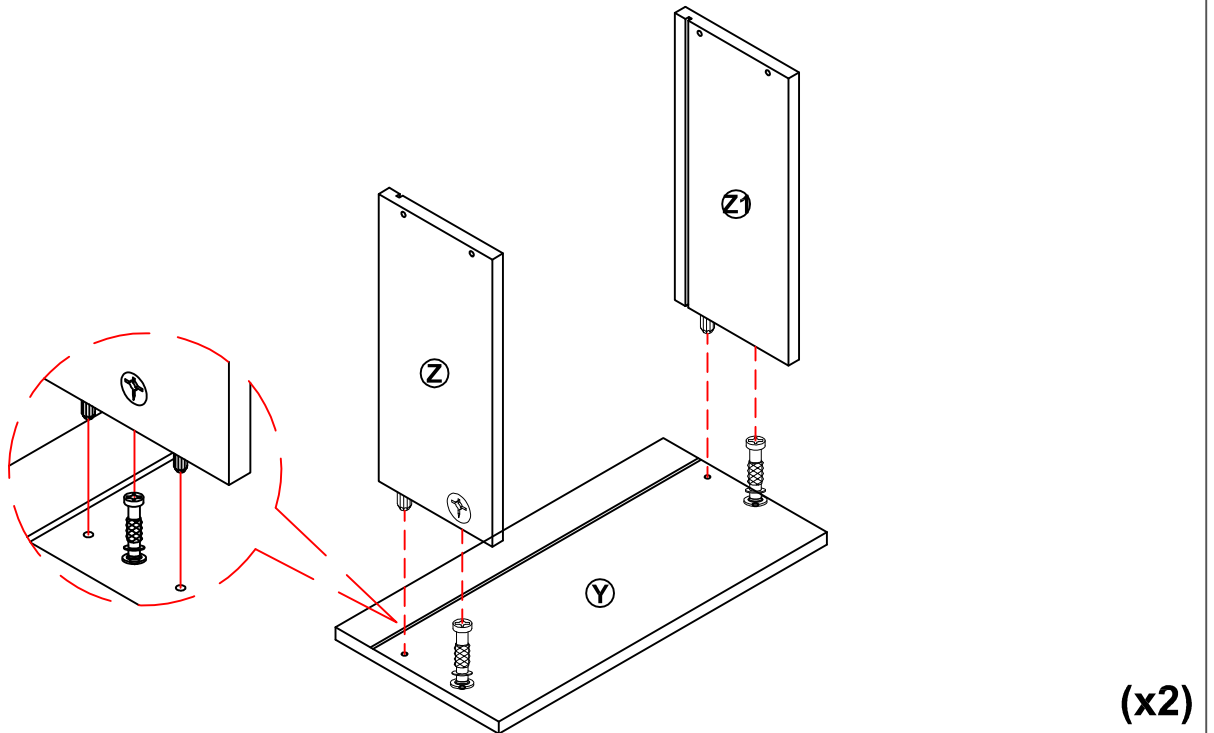
PLEASE ENSURE THAT EACH OF THE FOUR CORNERS OF THE CABINET IS SQUARE.



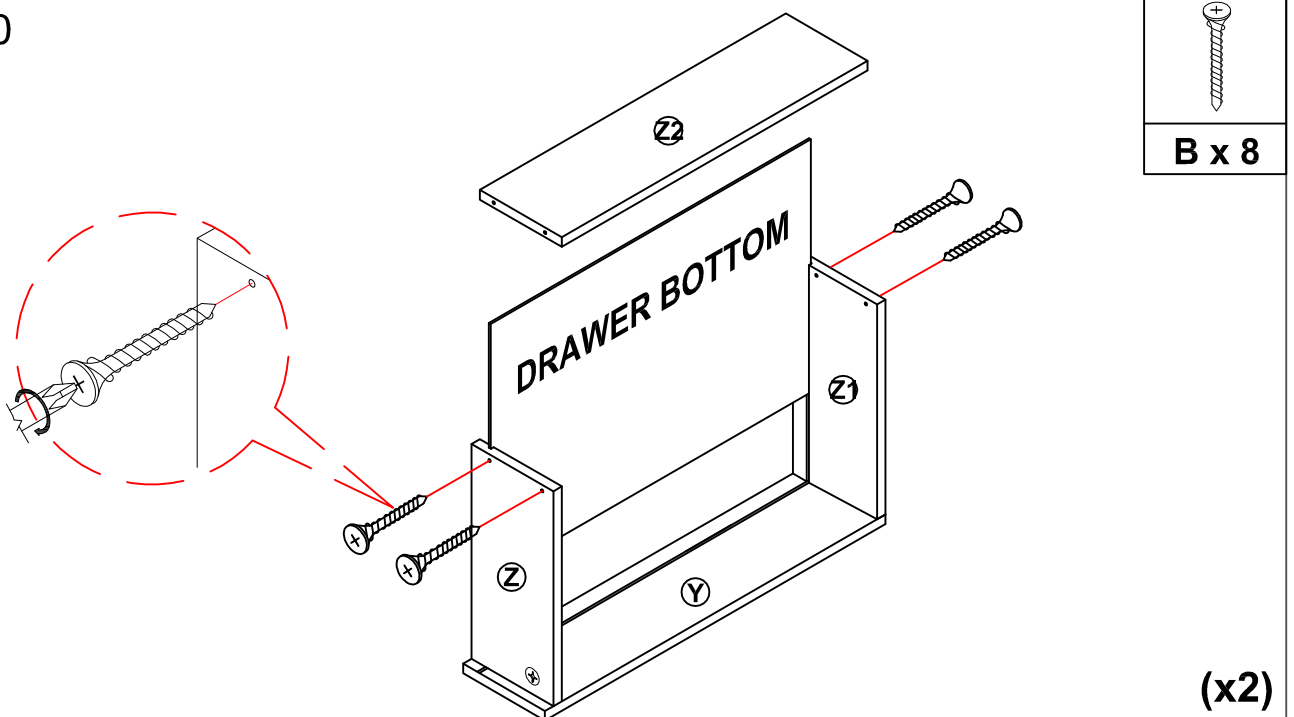
Step 8



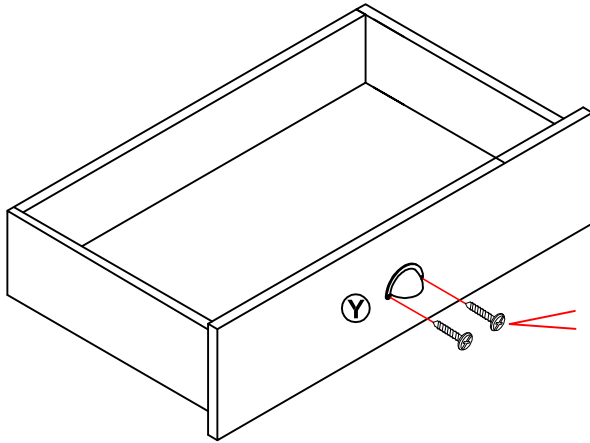
Step 9



Step 10



Step 11



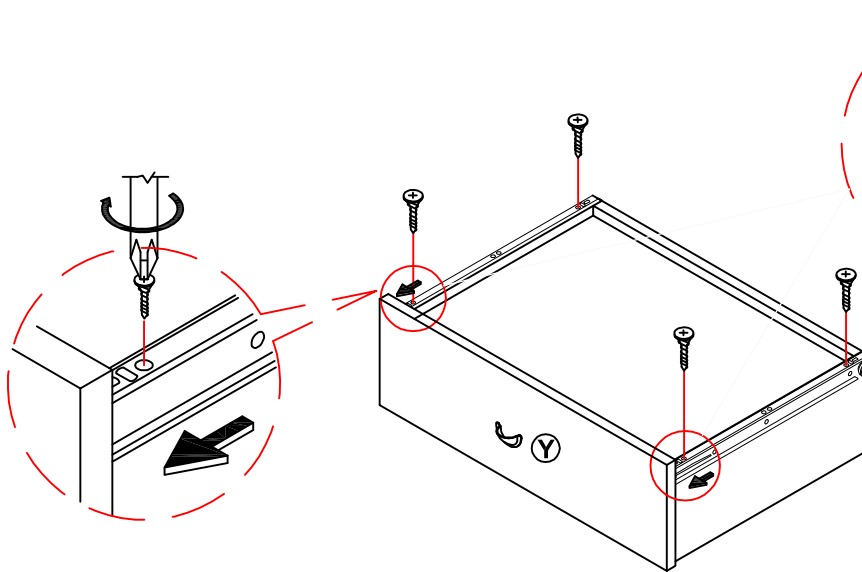
K x 2



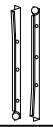
E x 4

(x2)

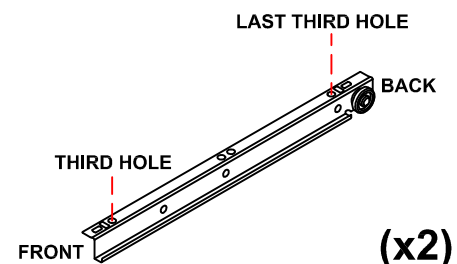
Step 12



F x 8

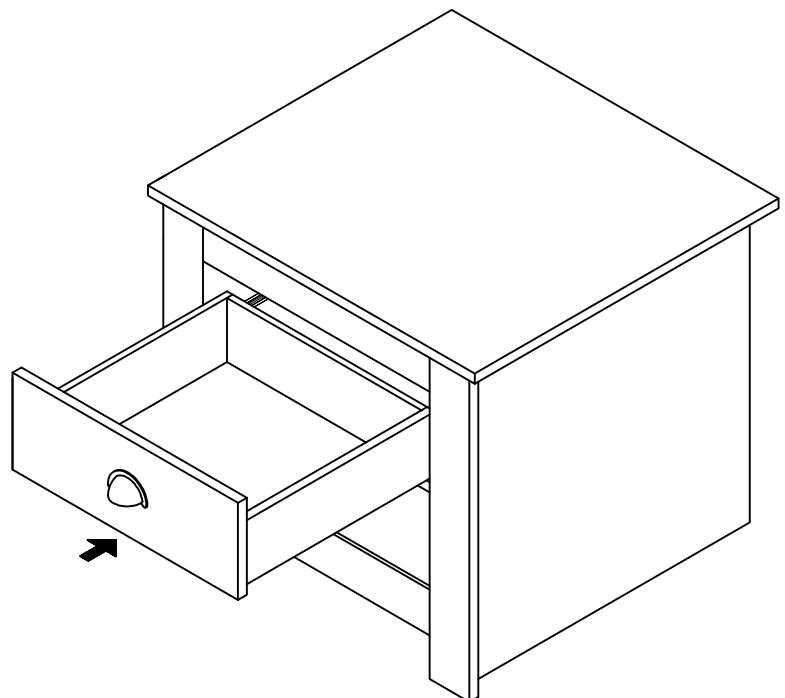
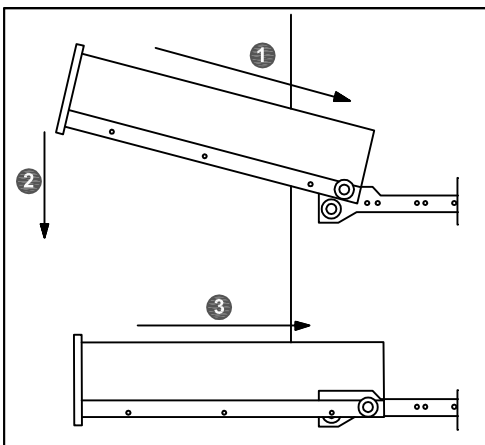


M x 2



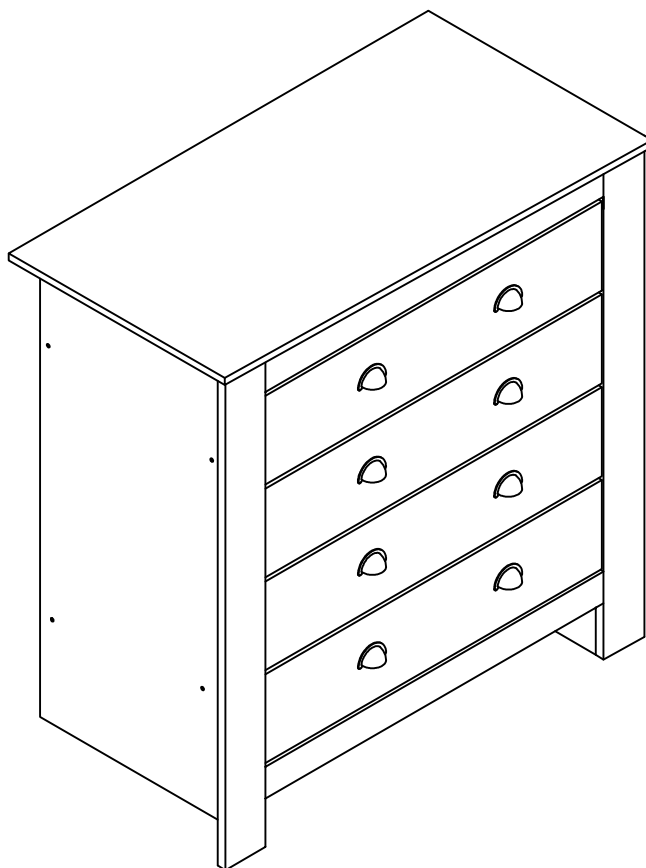
(x2)


Step 13



LANCASTER CHEST OF 4








Assembly Instructions - Please keep for future reference



No. people	Assembly Time
	45 Minutes (approx.)

" SHOULD IT BE NECESSARY TO RETURN THIS PRODUCT FOR ANY REASON,
IT MUST BE RETURNED IN ITS ORIGINAL PACKAGING"

Important: Read carefully

-  Please check you have all parts listed on your assembly sheet. In the unlikely event that any parts are missing, please contact your retailer immediately.
-  Do not use any other tools than those listed on your assembly sheet / tools provided. Use of power tools could damage your product and returns would not be accepted back in these circumstances. Use of power tools could also make your product unsafe due to overtightening.
-  Depending on the amount of use your product receives, it may be necessary to tighten the fixings from time to time.
-  Assemble your product on a soft surface to avoid scratching and also preferably in the room intended for use to avoid having to move the product unnecessarily once assembled.
-  For cleaning please use a clean damp cloth or duster. Use of abrasive or chemical cleaners will most likely scratch or damage the surface of your product. We do not accept returns for damages arising from incorrect care of products.
-  Please keep the original packing until your item is fully assembled and in place. In the unlikely event you need to return your product. It must be returned back in its original packing to avoid any damage.
-  The surface of this item is not heat resistant. Please use a mat under hot, cold or wet items to prevent marking.

WARNING !

IMPORTANT - IN ORDER TO HELP PREVENT OVERTURNING, THIS PRODUCT MUST BE USED WITH THE WALL ANTI-TOPPLE STRAP / DEVICE PROVIDED.

To help prevent product toppling over please follow the below steps :

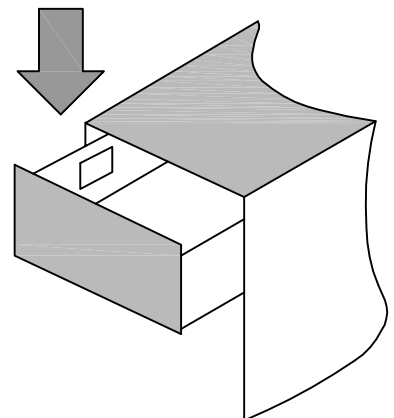
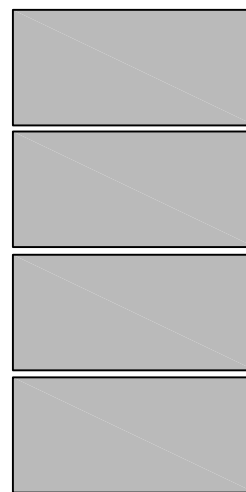
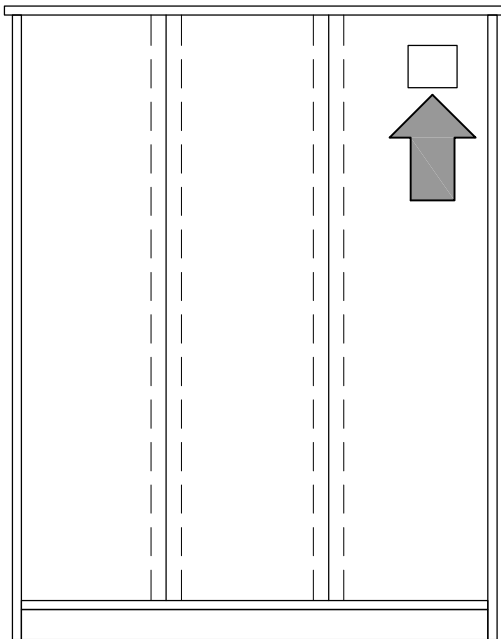
- Young children may get injured by furniture tipping over.
- You must use the anti-topple strap / device provided.
- Do not allow children to climb or hang on the furniture.
- Do not open more than one drawer at a time.
- Do not place heavy items in the top drawer.
- Do not place heavy items on the top of furniture.

Please note that only the anti-topple strap / device and screws are provided, you will need to provide the wall plugs and screws which are applicable for your wall type.

PLEASE DO NOT REMOVE THE PERMANENT SAFETY LABEL FROM YOUR FURNITURE!

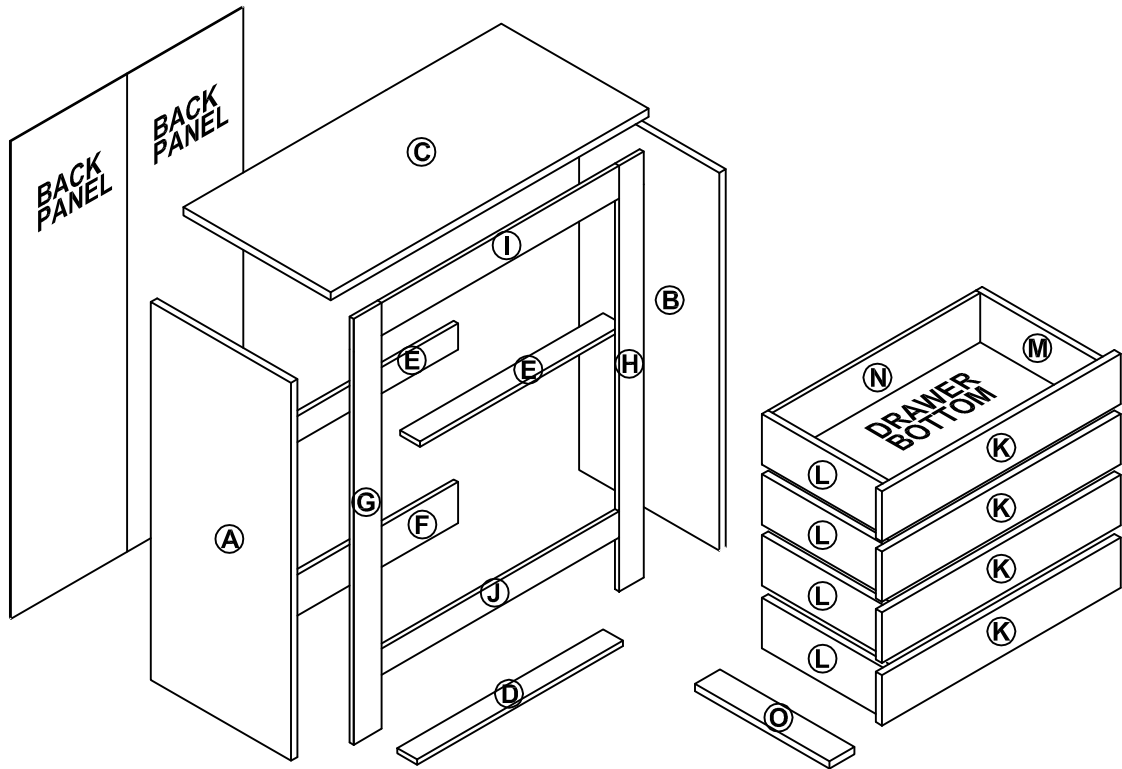
Permanent Label Assembly Location

1. Wardrobe/Bookcase/Cabinet without Drawer : On the backside of back panel and not visible.
2. Chest of Drawer/sideboard/Unit with Drawer : Top drawer on the inside side of drawer wrap.



Note: For uncommon furniture design, the location of safety permanent label may differ.

Exploded View



Components - Panels

Please check that you have all the components listed below before constructing your items.

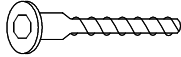
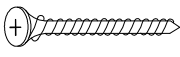
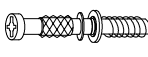


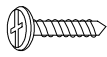
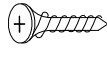

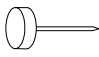

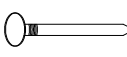

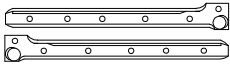
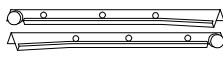



Part No	Description	Qty
A	Side Panel - L	1
B	Side Panel - R	1
C	Top Panel	1
D	Bottom bar	1
E	Back & Support Bar	2
F	Bottom Bar	1
G	Side Profile - L	1
H	Side Profile - R	1
I	Top Profile	1
J	Bottom Profile	1
K	Drawer Front	4
L	Drawer Side - L	4
M	Drawer Side - R	4
N	Drawer Back	4
O	Drawer Support	4
	Drawer Bottom	4
	Back Panel	2

Components - Fixings

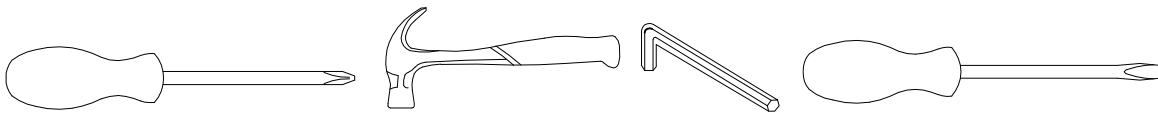
Please check that you have all the components listed below before constructing your items.

Note: The quantities below are the correct amount to complete the assembly. In some cases more fittings may be supplied than are required.

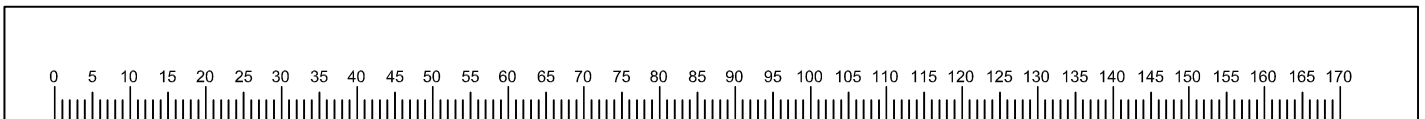
*Hardware packed separately according to the code.

(A)	Unitar 6.3 x 40mm	(B)	Screw M4x38mm	(C)	Minifix Bolt	(D)	Dowel M8 x 30mm
							
	8 units		16 units		20 units		52 units
(E)	CSK M3.5 x 25mm	(F)	Screw #6x16mm	(G)	Screw M3.5x15mm	(H)	Screw M6 x 8mm
							
	1 unit		16 units		16 units		16 units
(I)	Nail Leg	(J)	Minifix Cam	(K)	Nail Pin	(L)	Handle
							
	4 units		20 units		16 units		8 units
(M)	Drawer Slide 14"	(N)	Drawer Slide 14"	(O)	Safety Strap + Washer	(P)	Seal Sticker
							
	4 sets		4 sets		1 unit		8 units
(Q)	M4						
							
	1 unit						

Tools Required





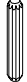



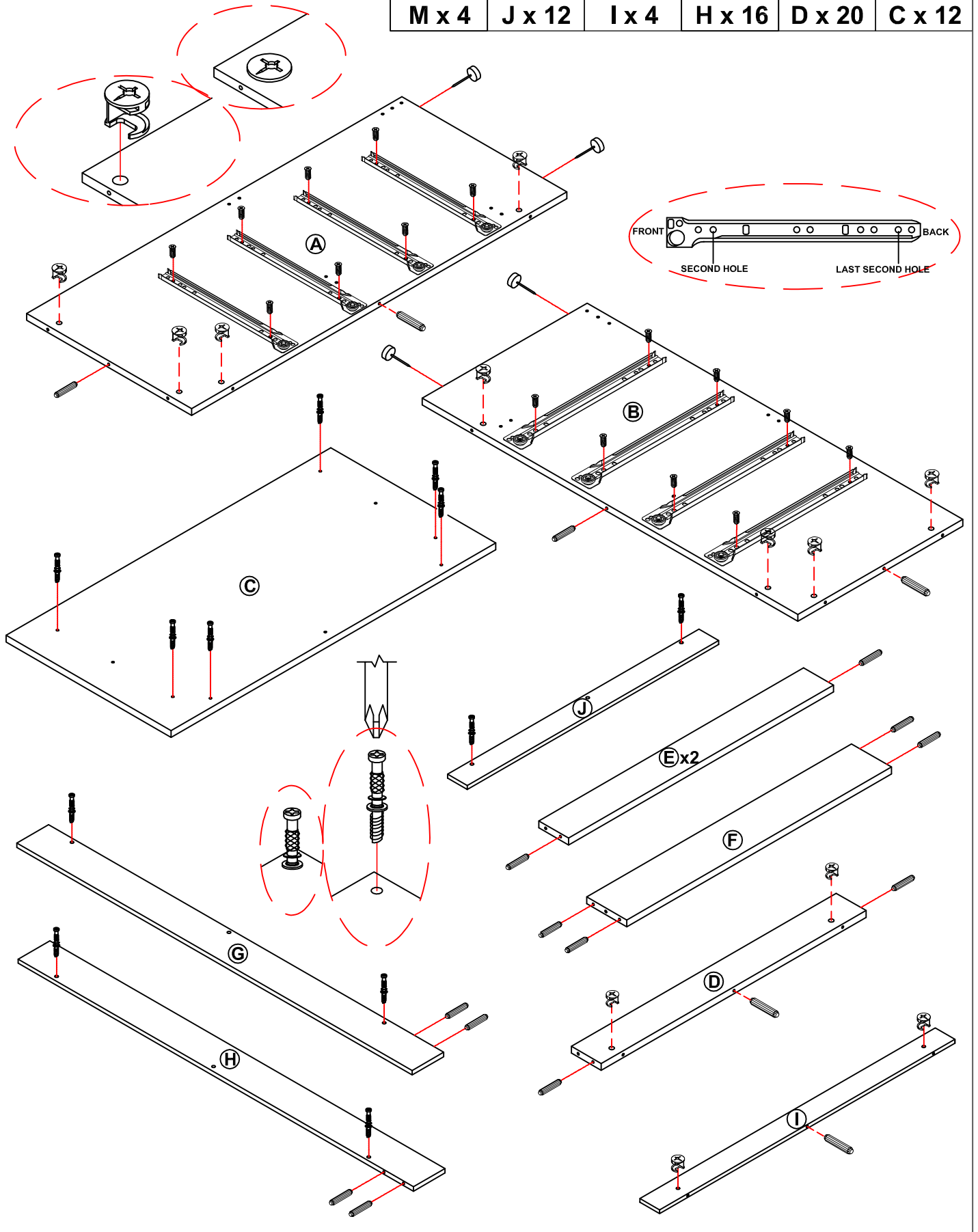
Ruler - Use this to measure your screws (mm)



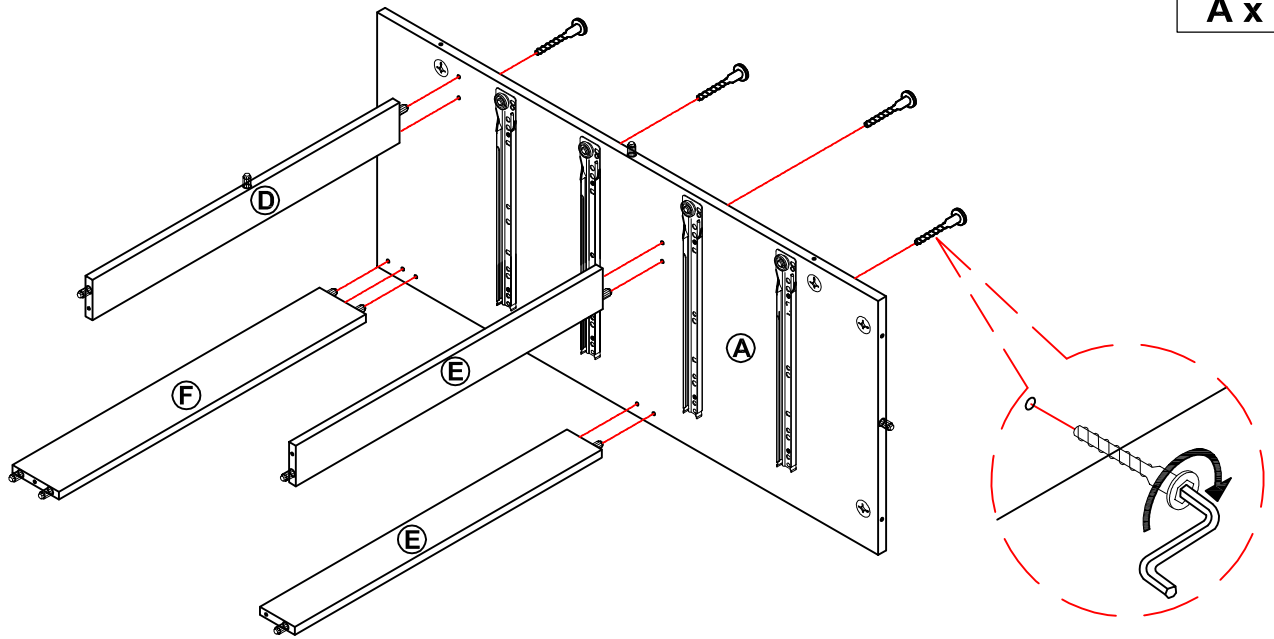
Assembly Instructions

Step 1

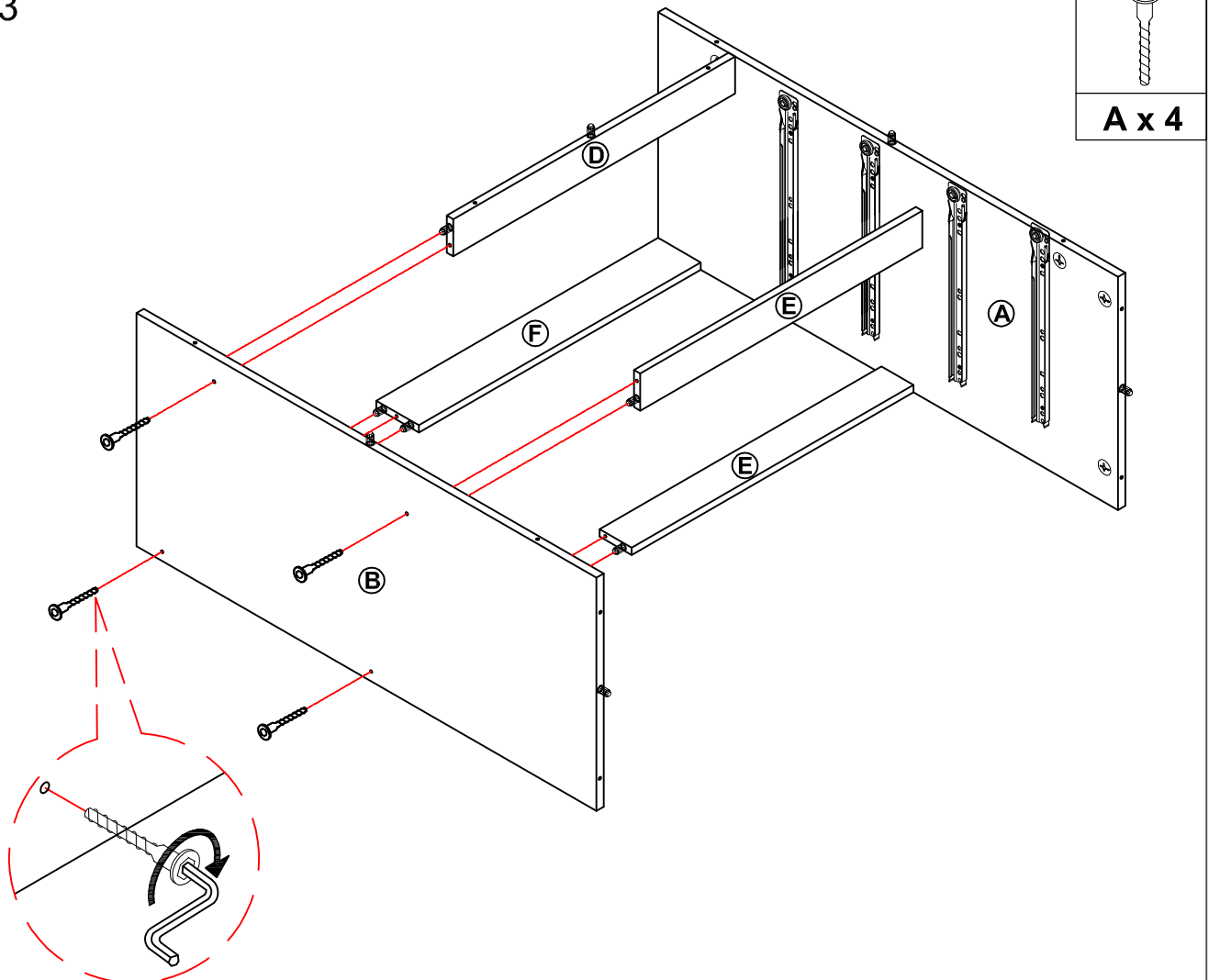
					
M x 4	J x 12	I x 4	H x 16	D x 20	C x 12



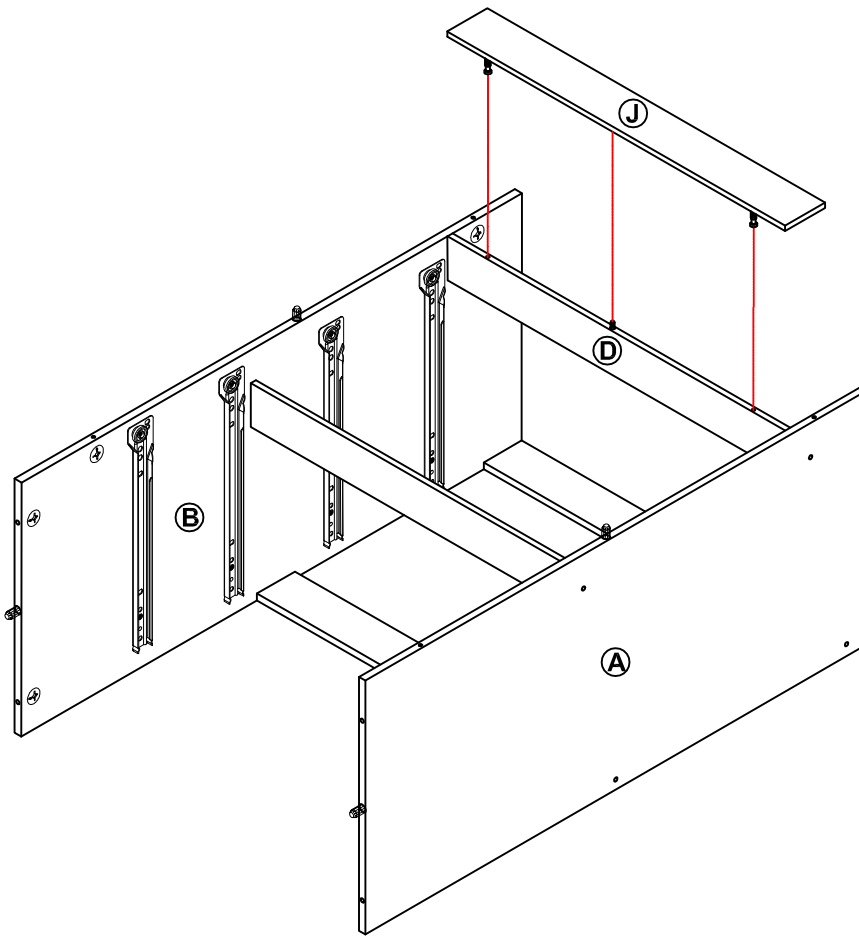
Step 2



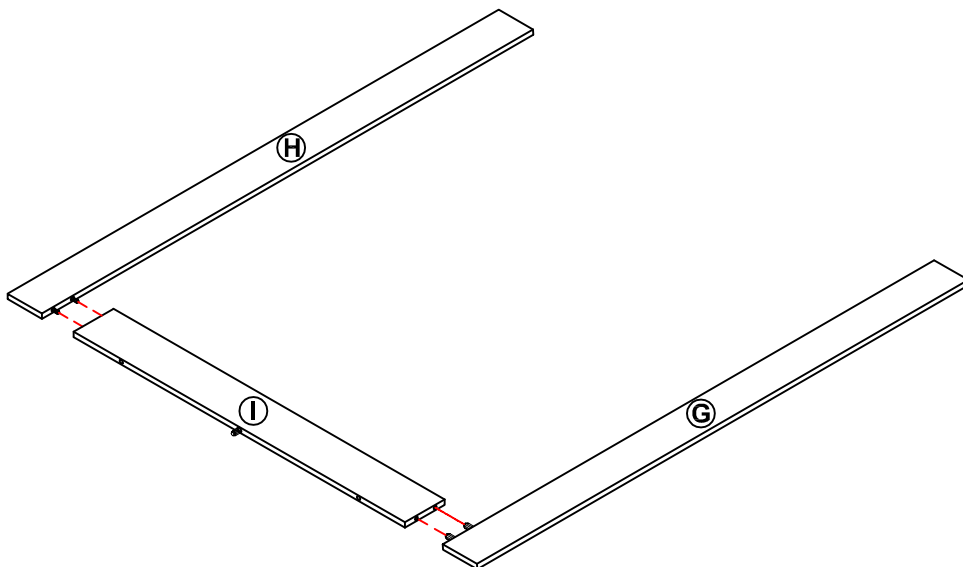
Step 3



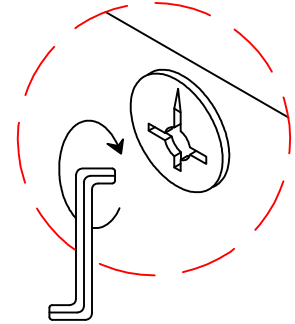
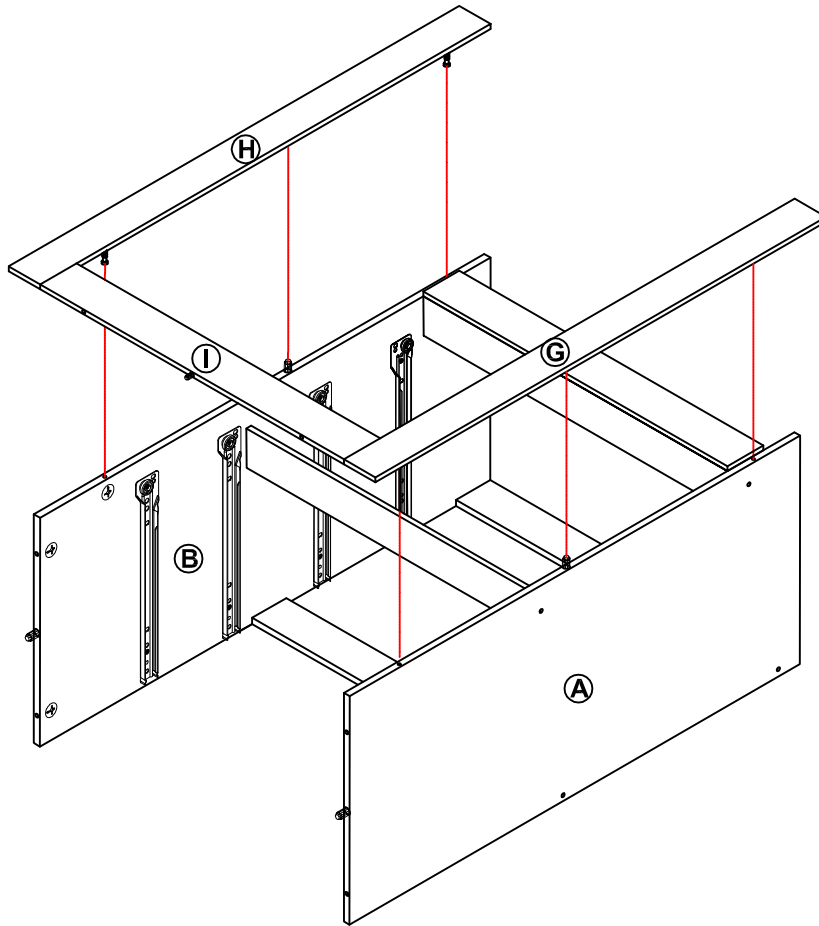
Step 4



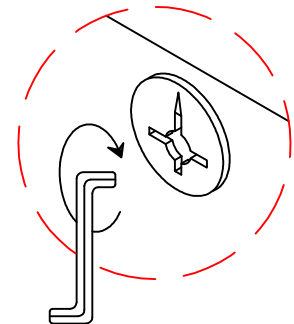
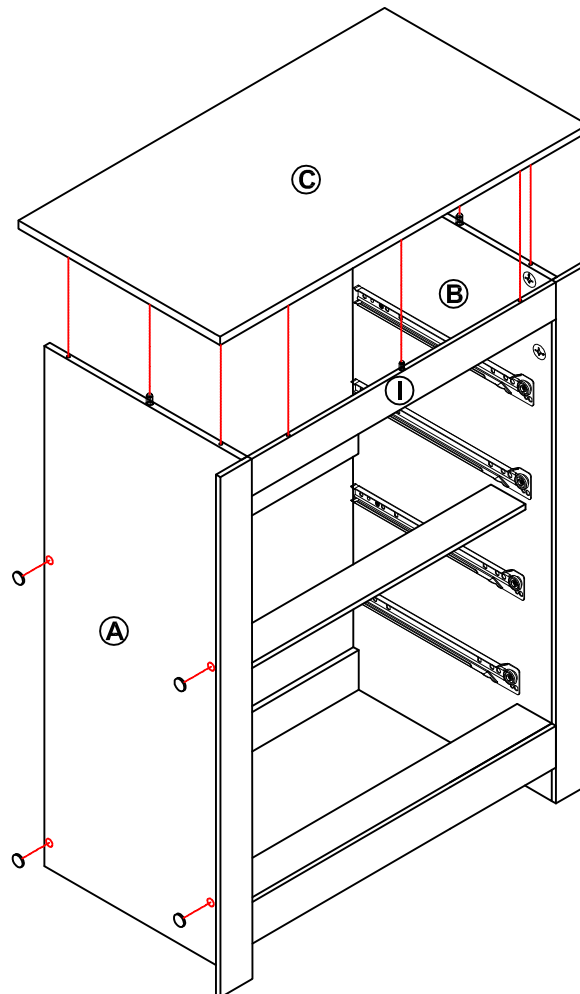
Step 5



Step 6

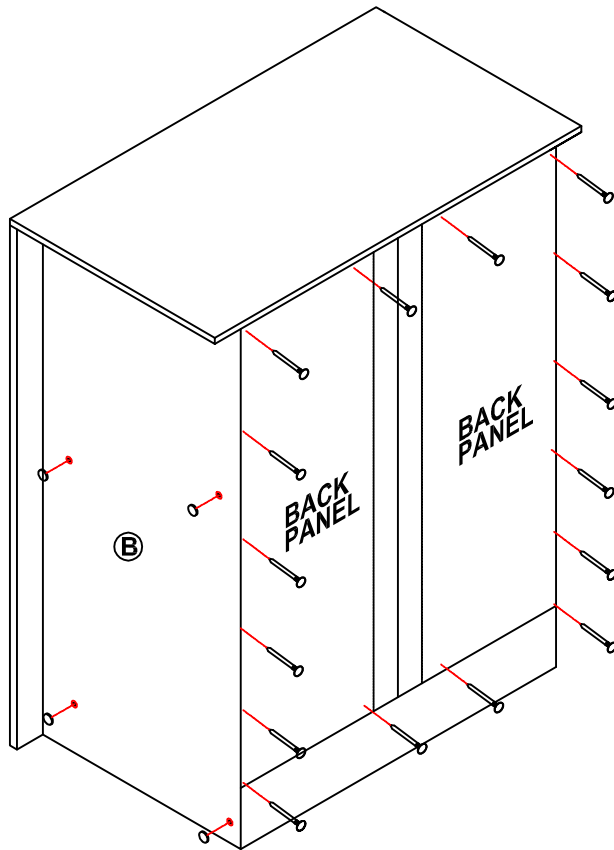




Step 7



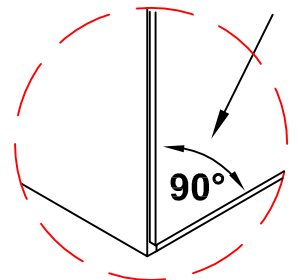
P x 4

Step 8

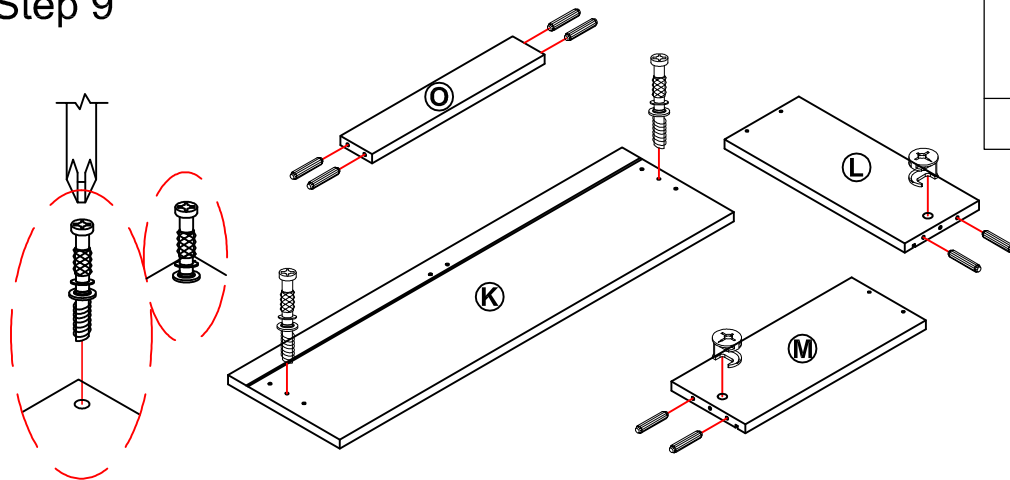



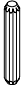

	
P x 4	K x 16

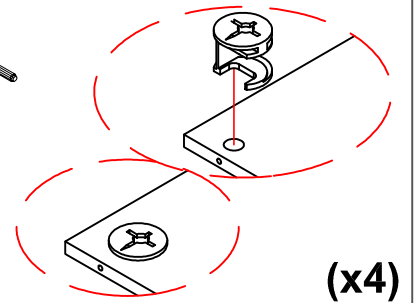
PLEASE ENSURE THAT EACH OF THE FOUR CORNERS OF THE CABINET IS SQUARE.



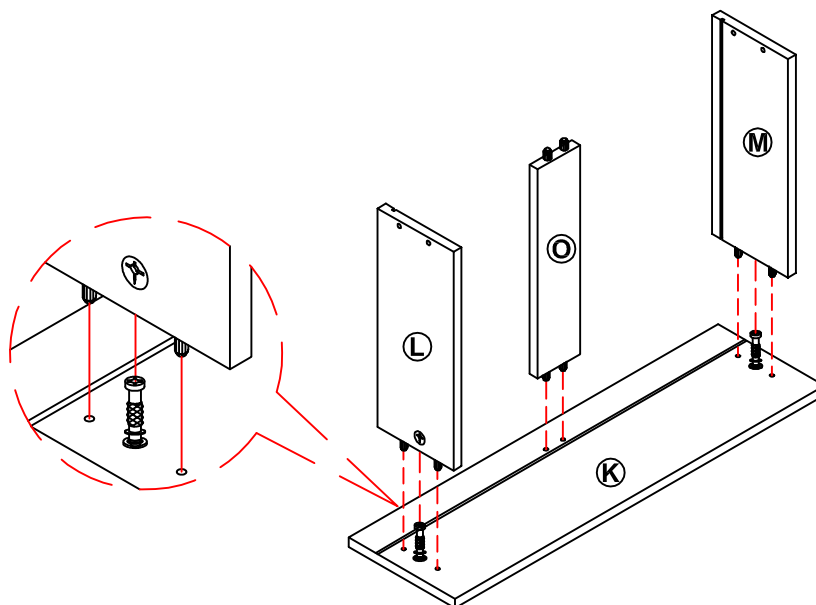
Step 9



		
J x 8	D x 32	C x 8

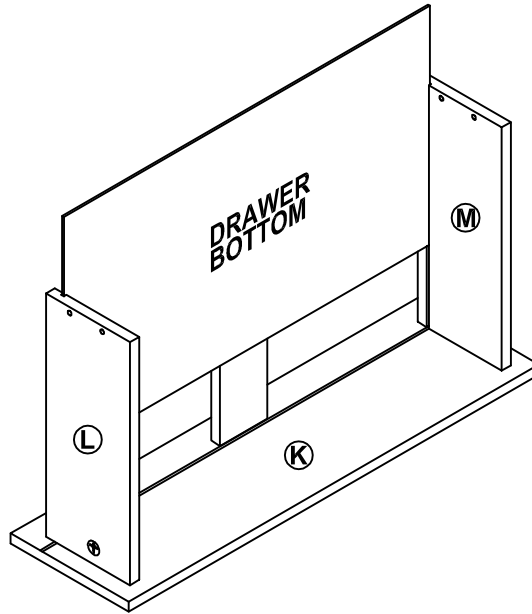


Step 10



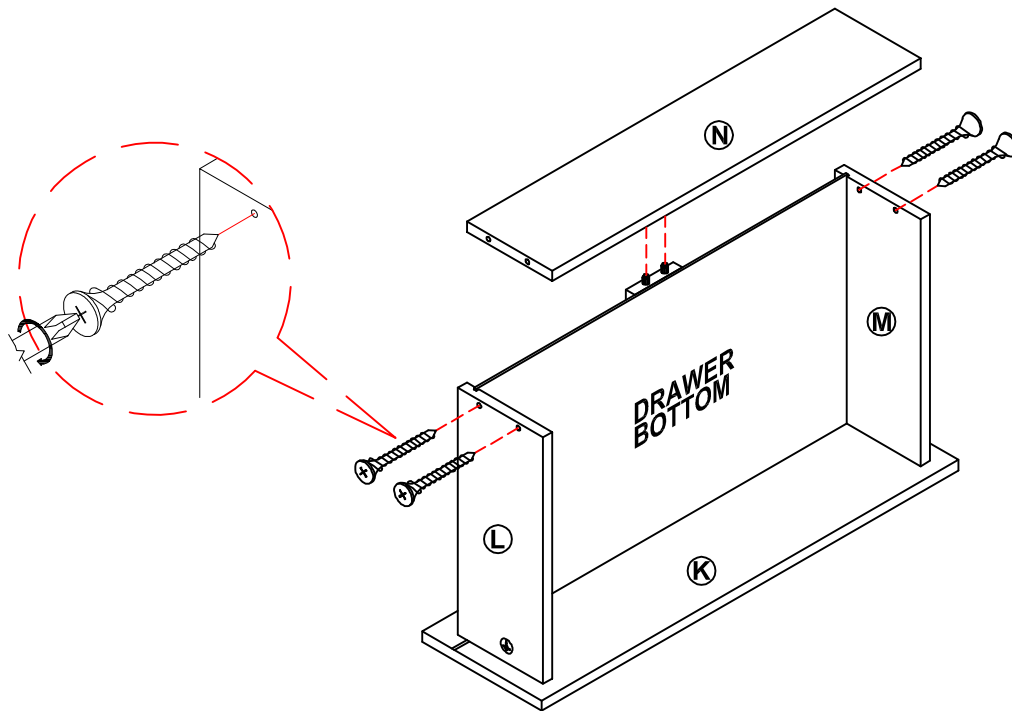
(x4)

Step 11



(x4)

Step 12

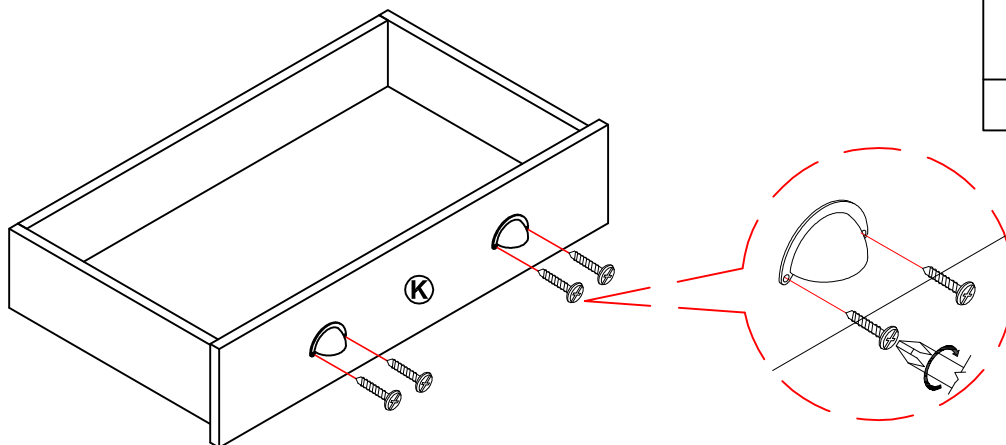


(x4)



B x 16

Step 13



(x4)

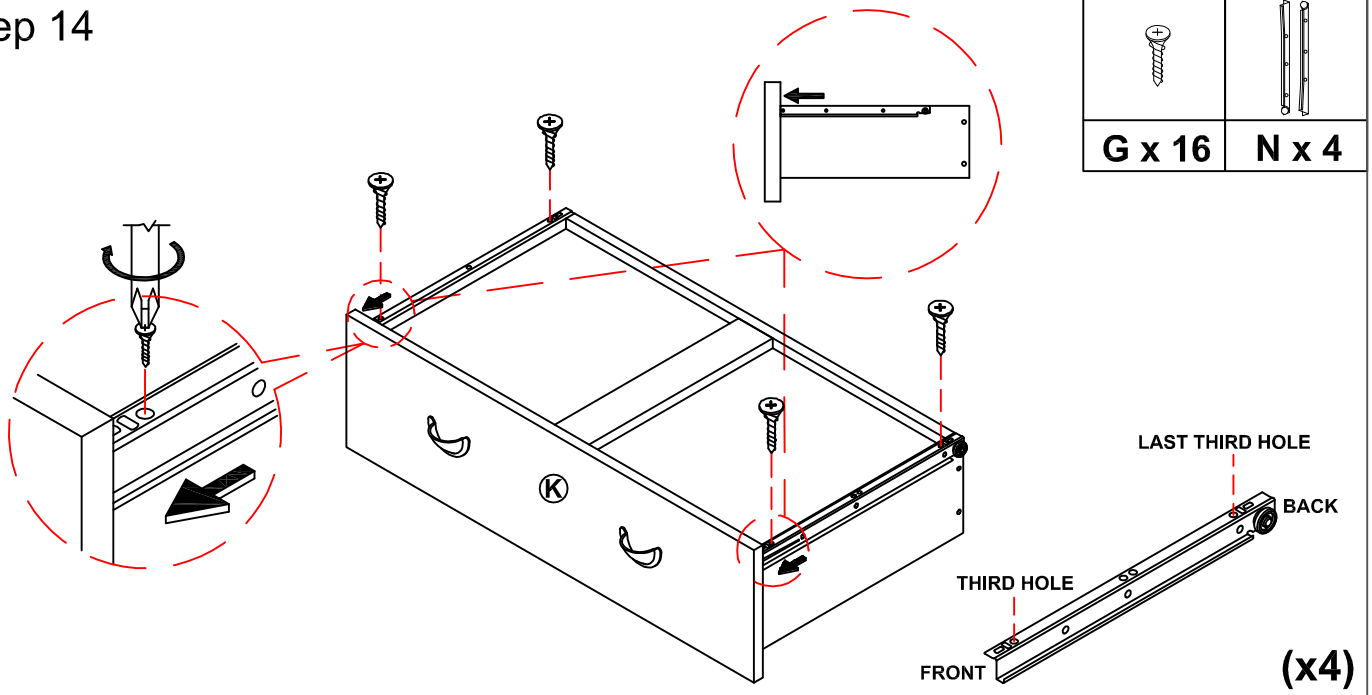


L x 8

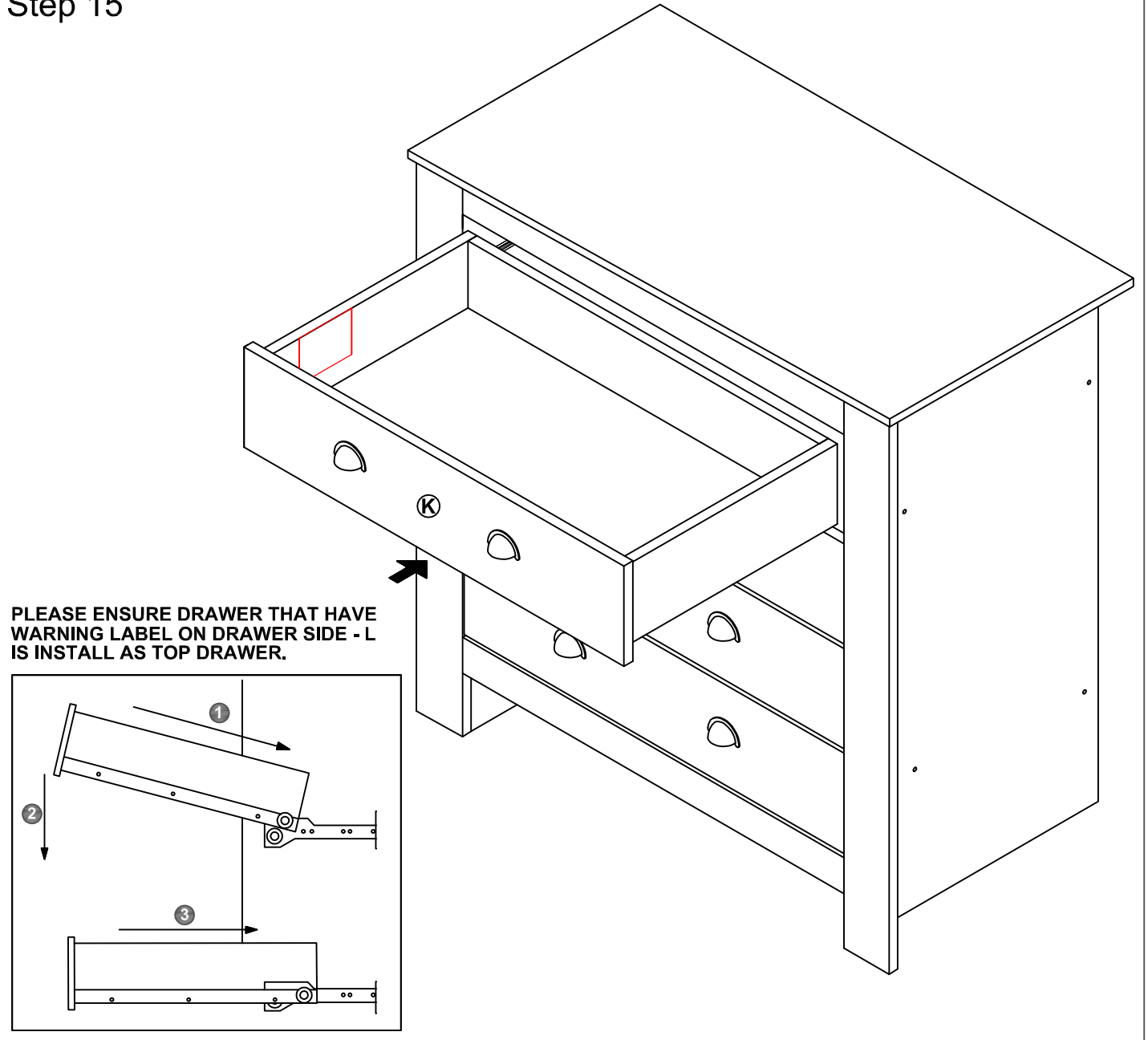


F x 16

Step 14

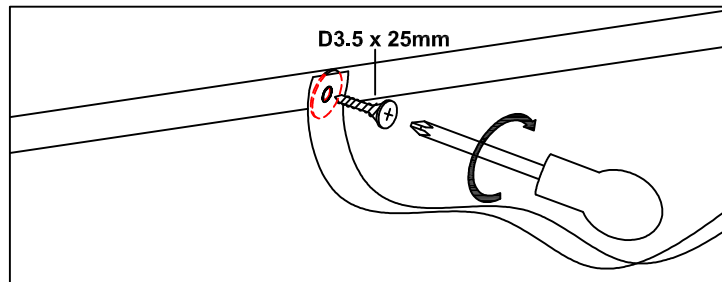


Step 15

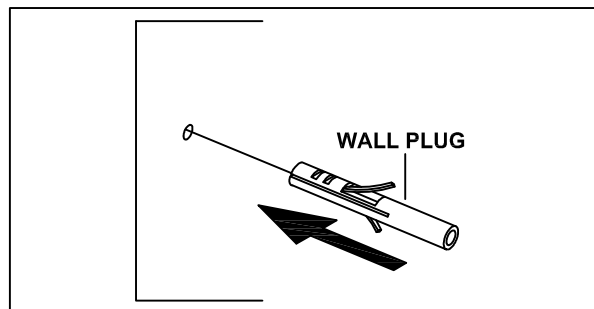


FITTING OF ANTI-TIP SAFETY STRAP

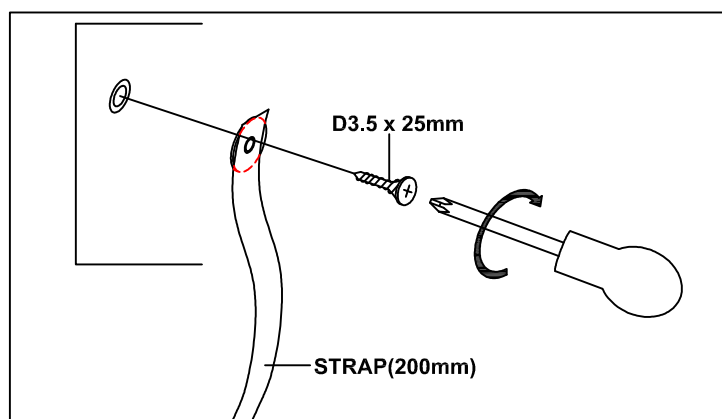
STEP 1:
Pull the screw in
the top panel hole
of your furniture



STEP 2:
Make a hole on
the wall and pull
the wall plug in



STEP 3:
Pull the screw in
the wall plug hole



NOTE : Wall fixing are not supplied with this product as different wall materials require different types of fixing devices (such as Rawl plugs on brick work). You must use fixing devices suitable for the type of wall you intend to mount this product to. Please ensure that the head of any screw used has a diameter greater than the diameter of the mounting hole on the product and that the fixing is safe and secure before use.

The straps and screws which to fix the strap on to the furniture are provided only.

HARDWARE LIST



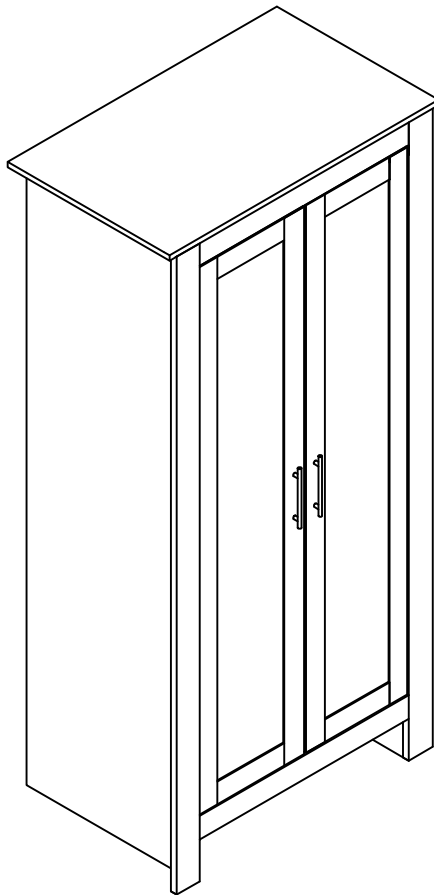
STRAP(200mm)-1Pc




D3.5 x 25mm-1Pc

LANCASTER 2 DOOR WARDROBE

Assembly Instructions - Please keep for future reference



No. people	Assembly Time
	1 Hour (approx.)

" SHOULD IT BE NECESSARY TO RETURN THIS PRODUCT FOR ANY REASON,
IT MUST BE RETURNED IN ITS ORIGINAL PACKAGING"

Important: Read carefully

- Please check you have all parts listed on your assembly sheet. In the unlikely event that any parts are missing, please contact your retailer immediately.
- Do not use any other tools than those listed on your assembly sheet / tools provided. Use of power tools could damage your product and returns would not be accepted back in these circumstances. Use of power tools could also make your product unsafe due to overtightening.
- Depending on the amount of use your product receives, it may be necessary to tighten the fixings from time to time.
- Assemble your product on a soft surface to avoid scratching and also preferably in the room intended for use to avoid having to move the product unnecessarily once assembled.
- For cleaning please use a clean damp cloth or duster. Use of abrasive or chemical cleaners will most likely scratch or damage the surface of your product. We do not accept returns for damages arising from incorrect care of products.
- Please keep the original packing until your item is fully assembled and in place. In the unlikely event you need to return your product. It must be returned back in its original packing to avoid any damage.
- The surface of this item is not heat resistant. Please use a mat under hot, cold or wet items to prevent marking.

WARNING !

IMPORTANT - IN ORDER TO HELP PREVENT OVERTURNING, THIS PRODUCT MUST BE USED WITH THE WALL ANTI-TOPPLE STRAP / DEVICE PROVIDED.

To help prevent product toppling over please follow the below steps :

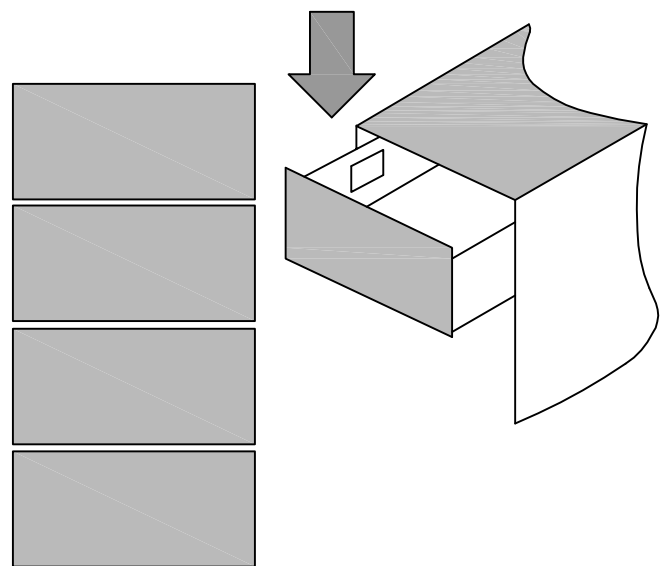
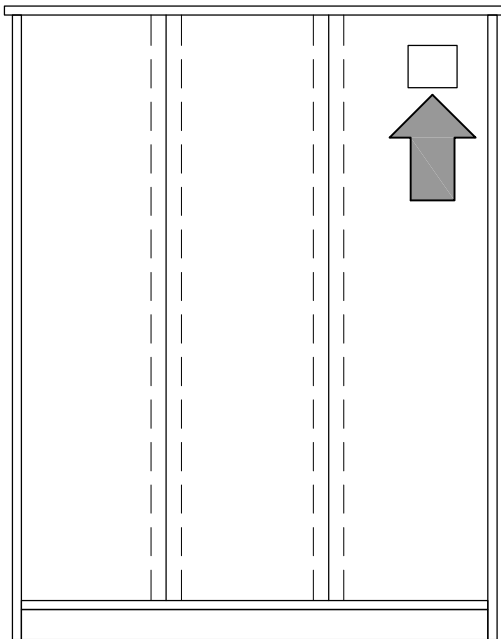
- Young children may get injured by furniture tipping over.
- You must use the anti-topple strap / device provided.
- Do not allow children to climb or hang on the furniture.
- Do not open more than one drawer at a time.
- Do not place heavy items in the top drawer.
- Do not place heavy items on the top of furniture.

Please note that only the anti-topple strap / device and screws are provided, you will need to provide the wall plugs and screws which are applicable for your wall type.

PLEASE DO NOT REMOVE THE PERMANENT SAFETY LABEL FROM YOUR FURNITURE!

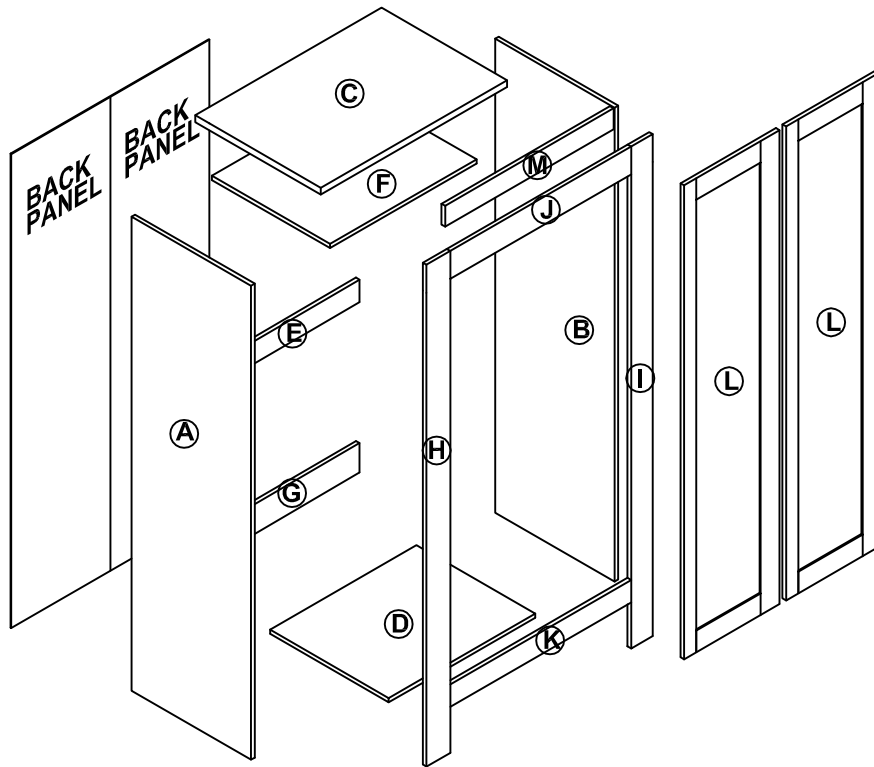
Permanent Label Assembly Location

1. Wardrobe/Bookcase/Cabinet without Drawer : On the backside of back panel and not visible.
2. Chest of Drawer/sideboard/Unit with Drawer : Top drawer on the inside side of drawer wrap.



Note: For uncommon furniture design, the location of safety permanent label may differ.

Exploded View



Components - Panels

Please check that you have all the components listed below before constructing your items.

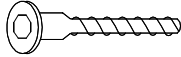


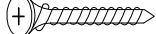
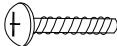
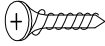

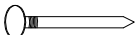
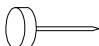

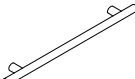
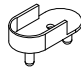







Part No	Description	Qty
A	Side Panel - L	1
B	Side Panel - R	1
C	Top Panel	1
D	Bottom Panel	1
E	Support Bar	1
F	Fix Shelf	1
G	Bottom Bar	1
H	Side Profile - L	1
I	Side Profile - R	1
J	Top Profile	1
K	Bottom Profile	1
L	Door	2
M	Top Support	1
	Back Panel	2

Components - Fixings

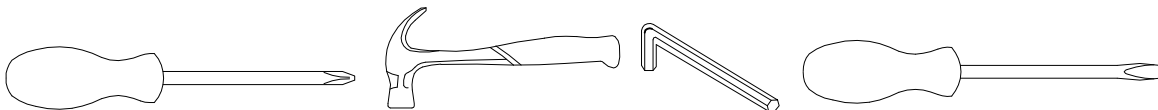
Please check that you have all the components listed below before constructing your items.

Note: The quantities below are the correct amount to complete the assembly. In some cases more fittings may be supplied than are required.

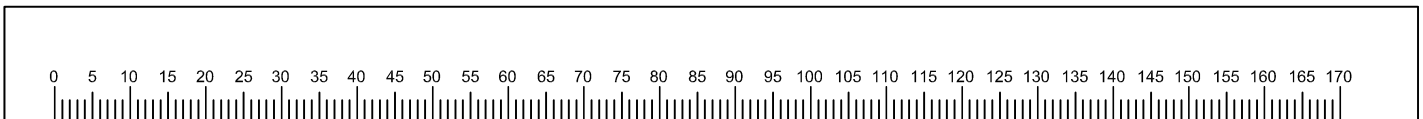
***Hardware packed separately according to the code.**

(A)	Unitar 6.3 x 40mm  16 units	(B)	Dowel M8 x 30mm  33 units	(C)	Minifix Bolt  8 units	(D)	CSK M3.5 x 25mm  1 unit
(E)	Screw M4x25mm  4 units	(F)	Screw M3.5x15mm  2 units	(G)	Screw #10x1/2"  24 units	(H)	Nail Pin  20 units
(I)	Nail Leg  4 units	(J)	Minifix Cam  8 units	(K)	Handle (L-145xH-96)  2 units	(L)	Plastic U-Bracket  2 units
(M)	Door Stopper  1 unit	(N)	Hinges 7/8"  6 units	(O)	L-Bracket 2mm  1 unit	(P)	Hanger - L-651mm  1 unit
(Q)	Safety Strap + Washer  1 unit	(R)	Seal Sticker  12 units	(S)	M4  1 unit		

Tools Required

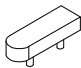
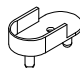





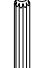




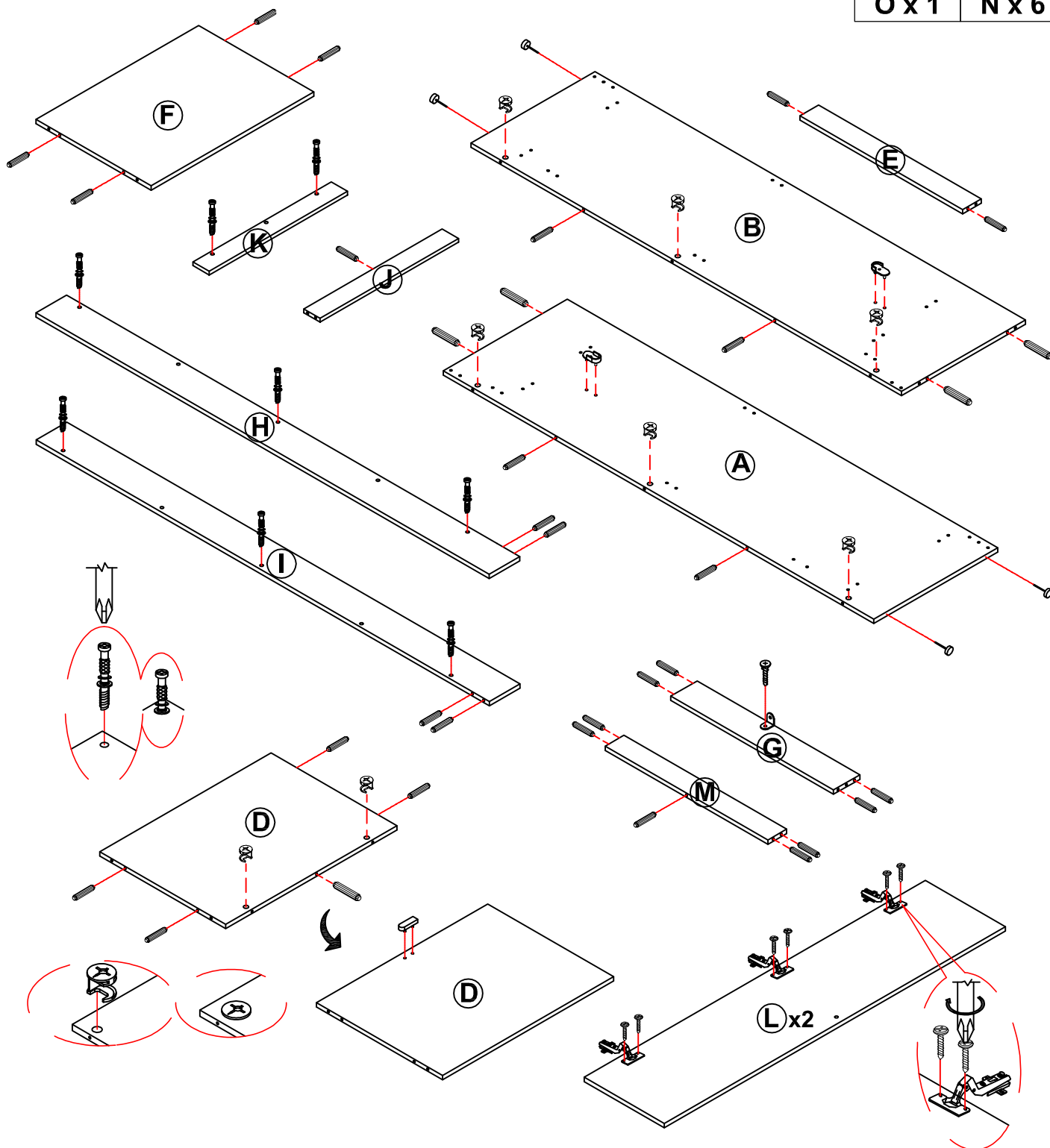
Ruler - Use this to measure your screws (mm)



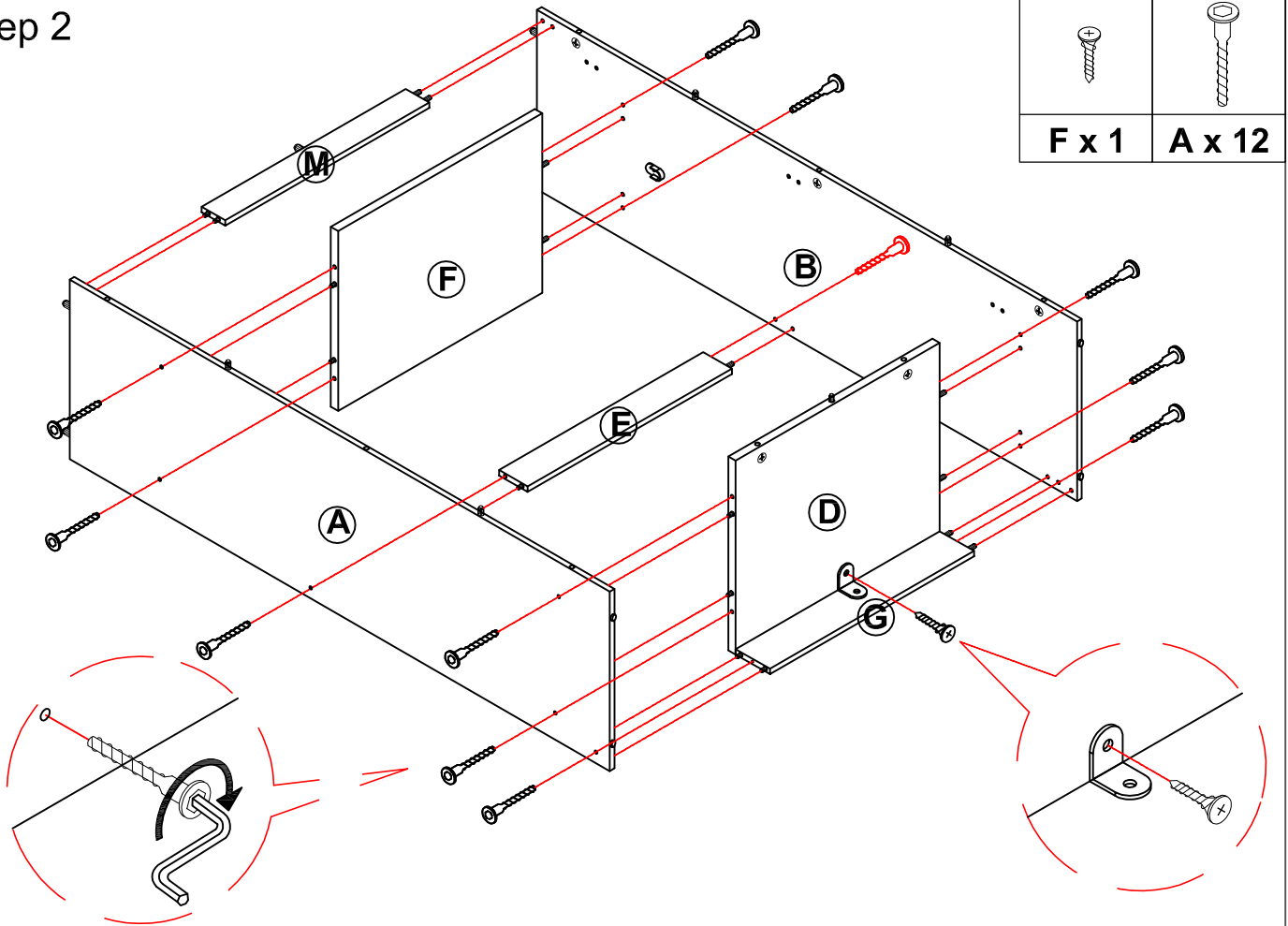
Assembly Instructions

Step 1

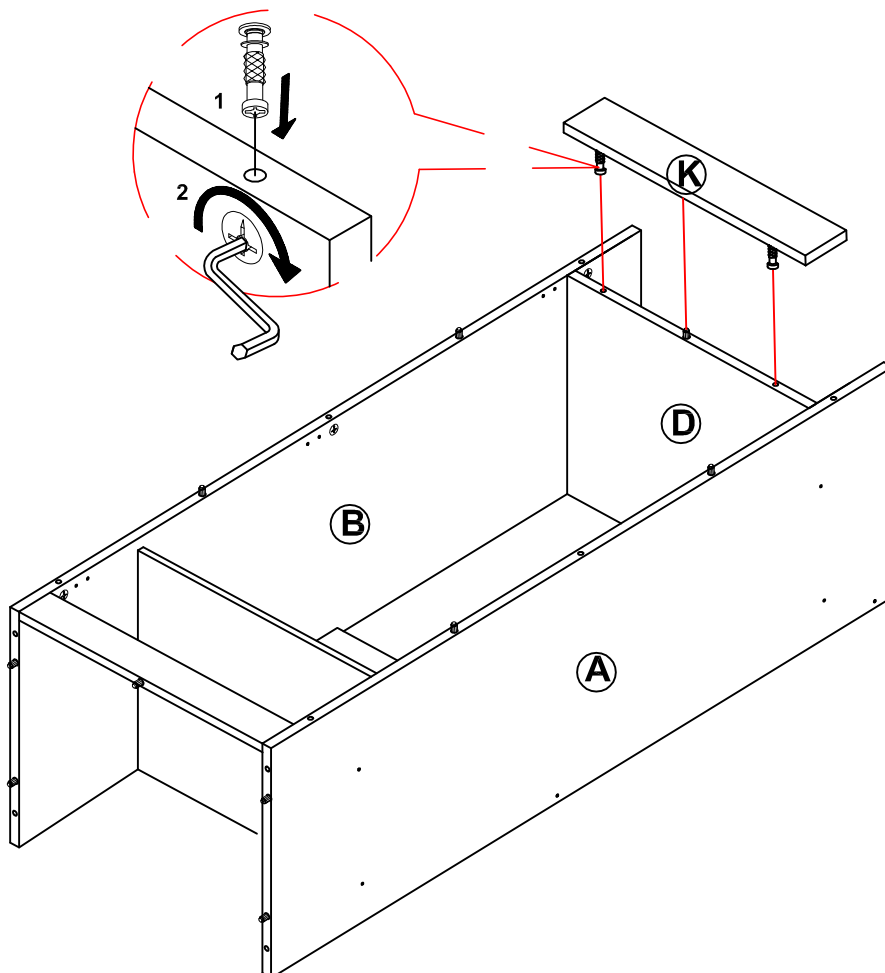
							
M x 1	L x 2	J x 8	I x 4	G x 12	F x 1	C x 8	B x 33
							
						O x 1	N x 6



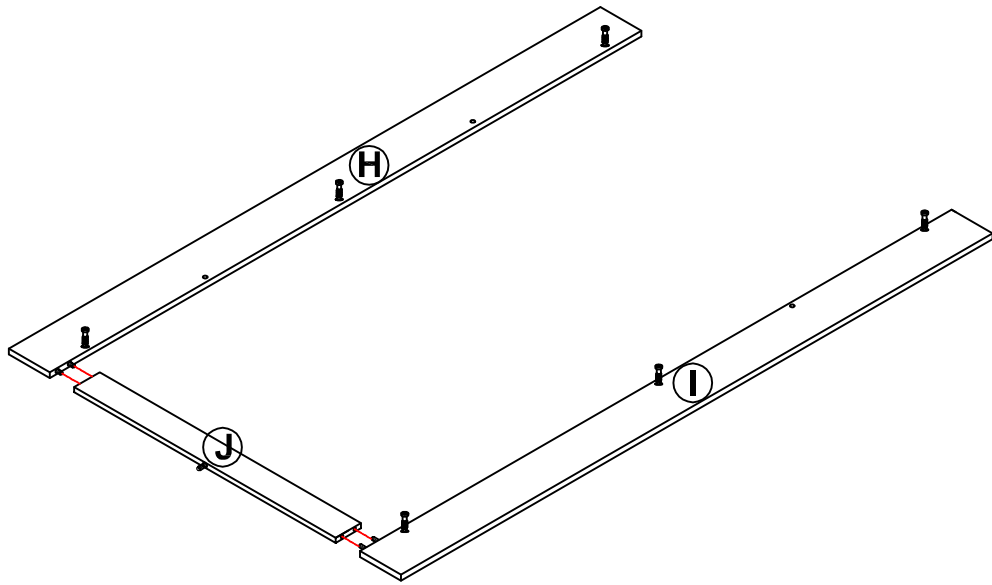
Step 2



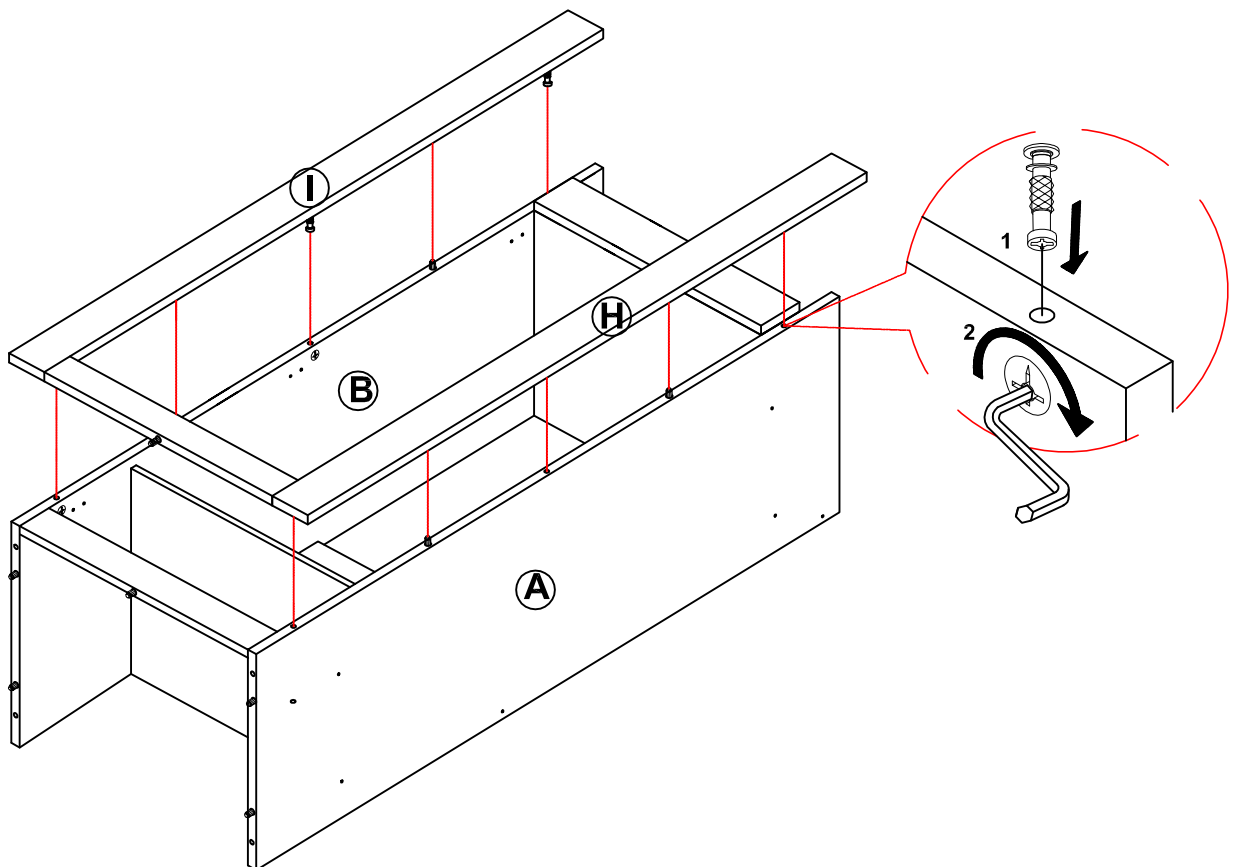
Step 3



Step 4



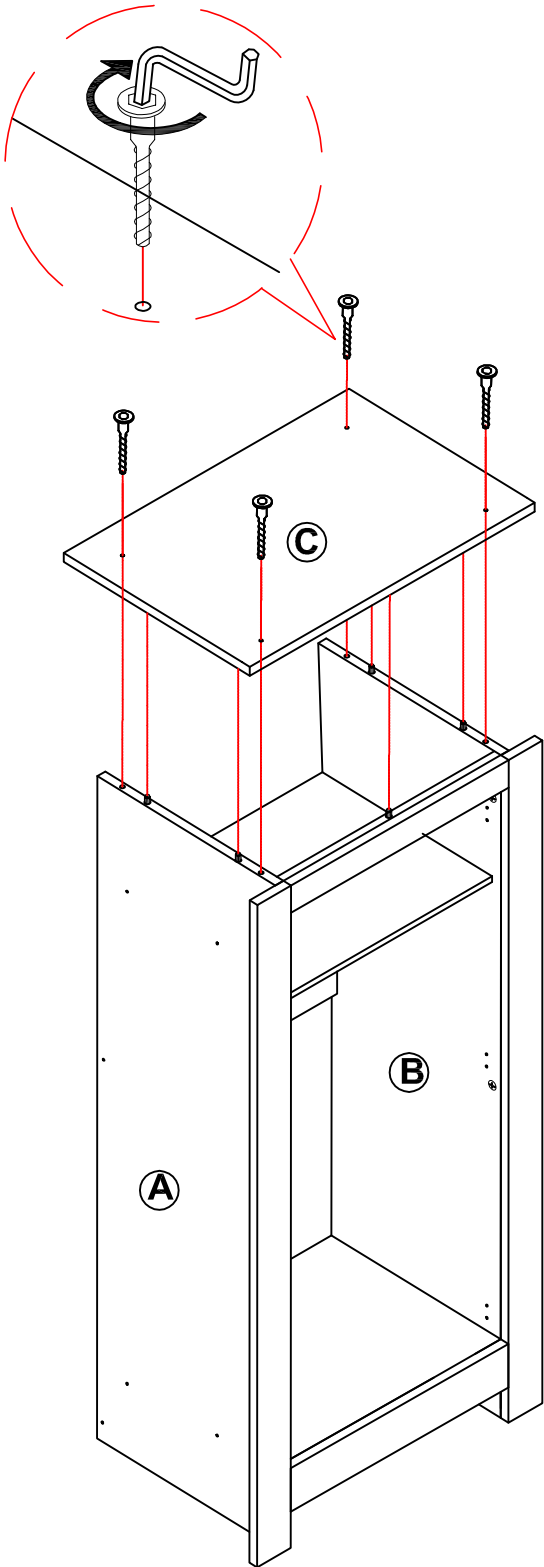
Step 5



Step 6



A x 4



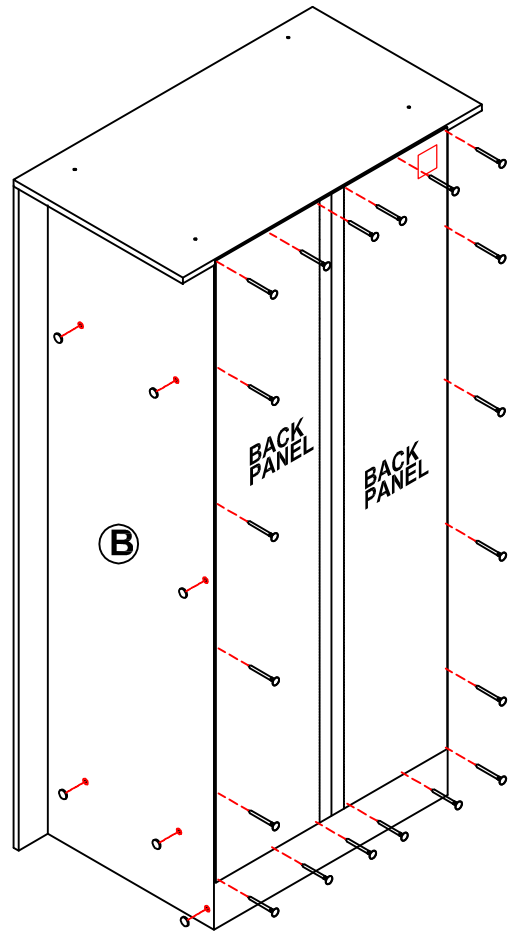
Step 7



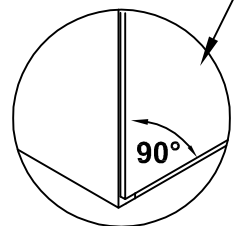
R x 6





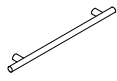
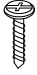

H x 20

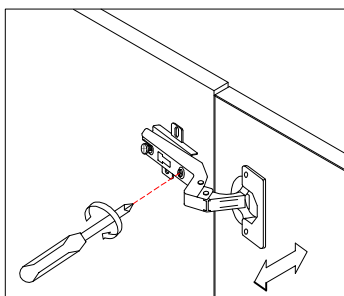
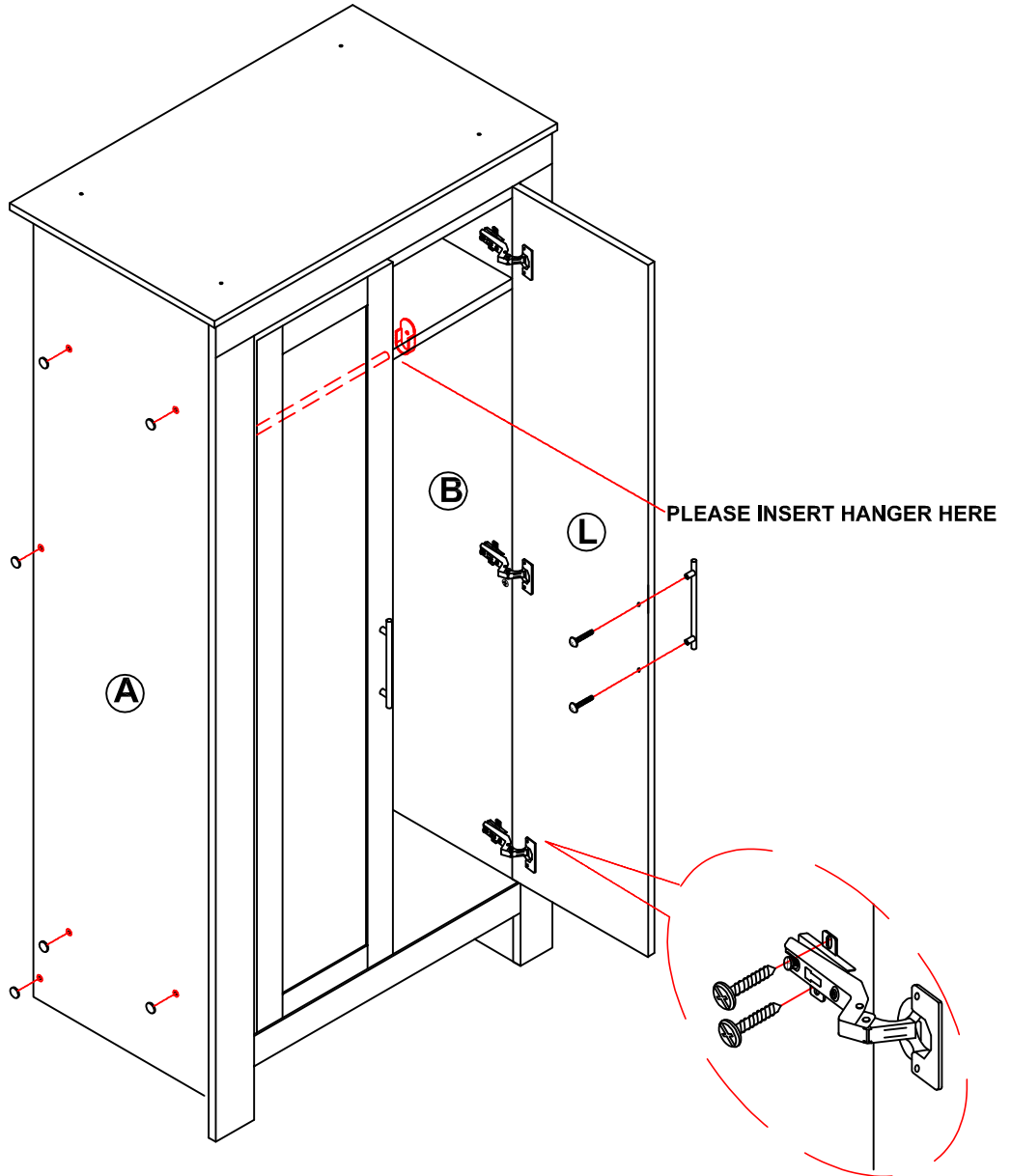


PLEASE ENSURE THAT EACH OF THE FOUR CORNERS OF THE CABINET IS SQUARE.

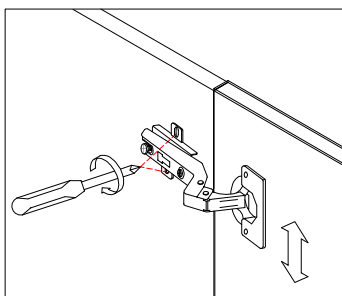


Step 8

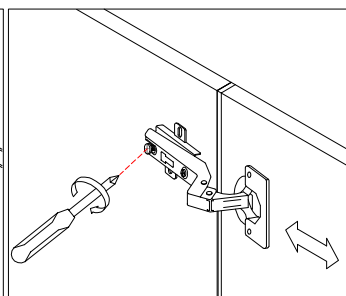
				
R x 6	P x 1	K x 2	G x 12	E x 4



A. Lateral adjustment by screw adjusting



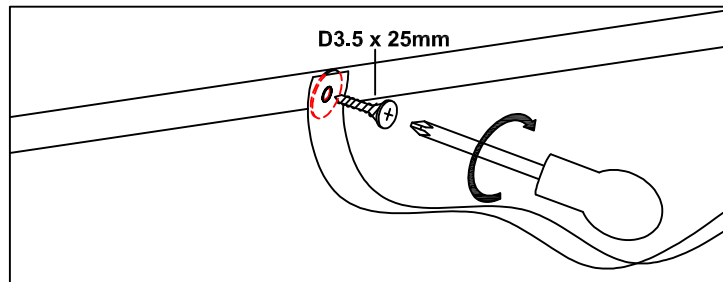
B. Vertical adjustment via slot in the mounting plate



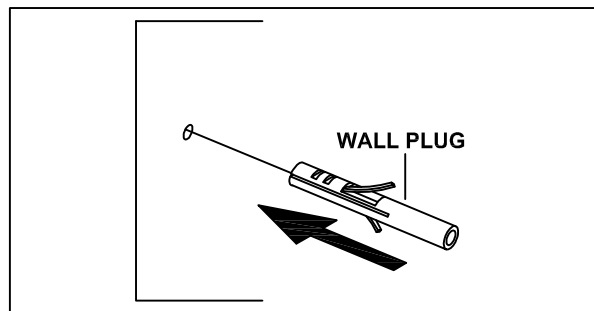
C. Front-to-Back by the slacking the hinge arm mounting screw

FITTING OF ANTI-TIP SAFETY STRAP

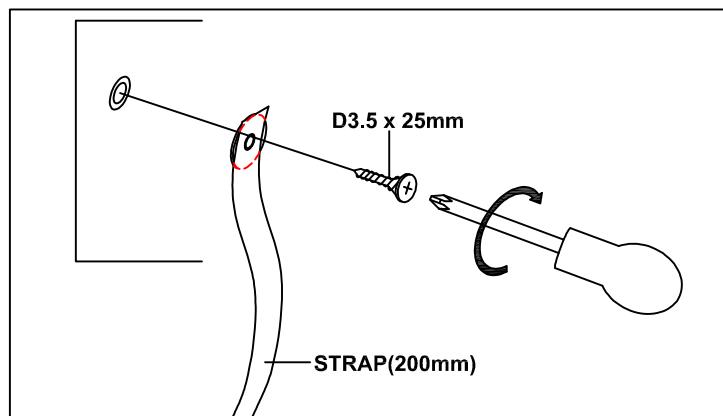
STEP 1:
Pull the screw in
the top panel hole
of your furniture



STEP 2:
Make a hole on
the wall and pull
the wall plug in



STEP 3:
Pull the screw in
the wall plug hole



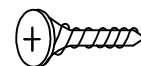
NOTE : Wall fixing are not supplied with this product as different wall materials require different types of fixing devices (such as Rawl plugs on brick work). You must use fixing devices suitable for the type of wall you intend to mount this product to. Please ensure that the head of any screw used has a diameter greater than the diameter of the mounting hole on the product and that the fixing is safe and secure before use.

The straps and screws which to fix the strap on to the furniture are provided only.

HARDWARE LIST



STRAP(200mm)-1Pc



D3.5 x 25mm-1Pc